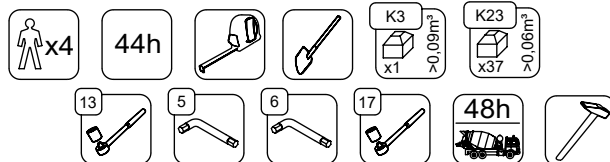
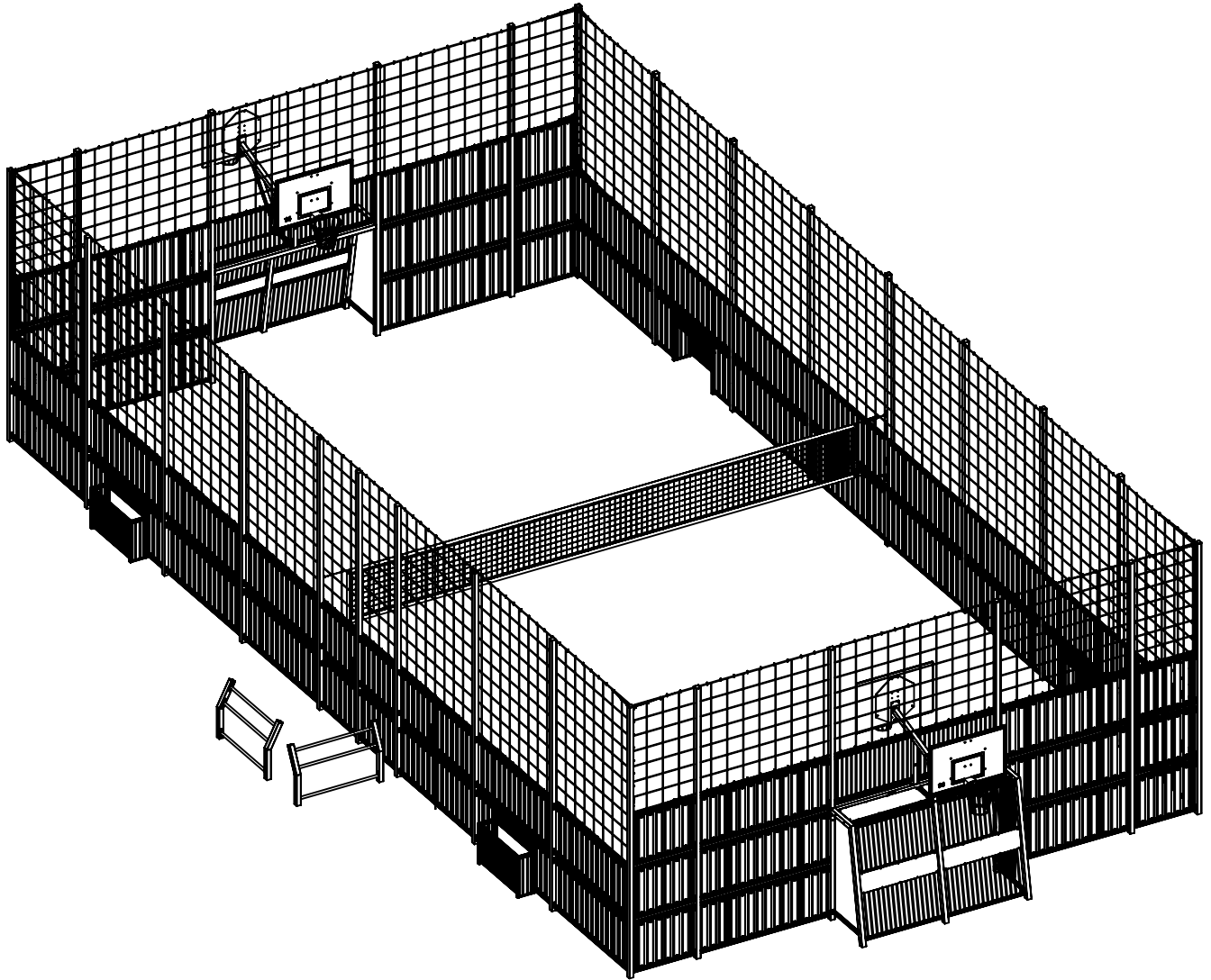
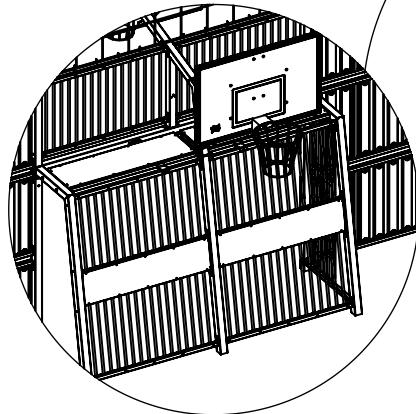
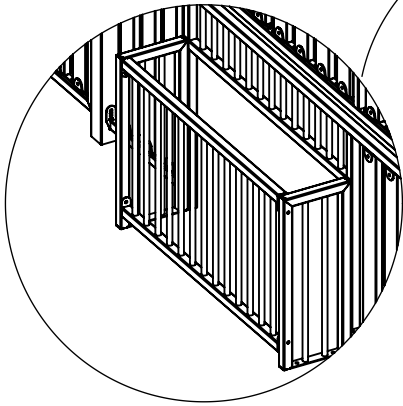
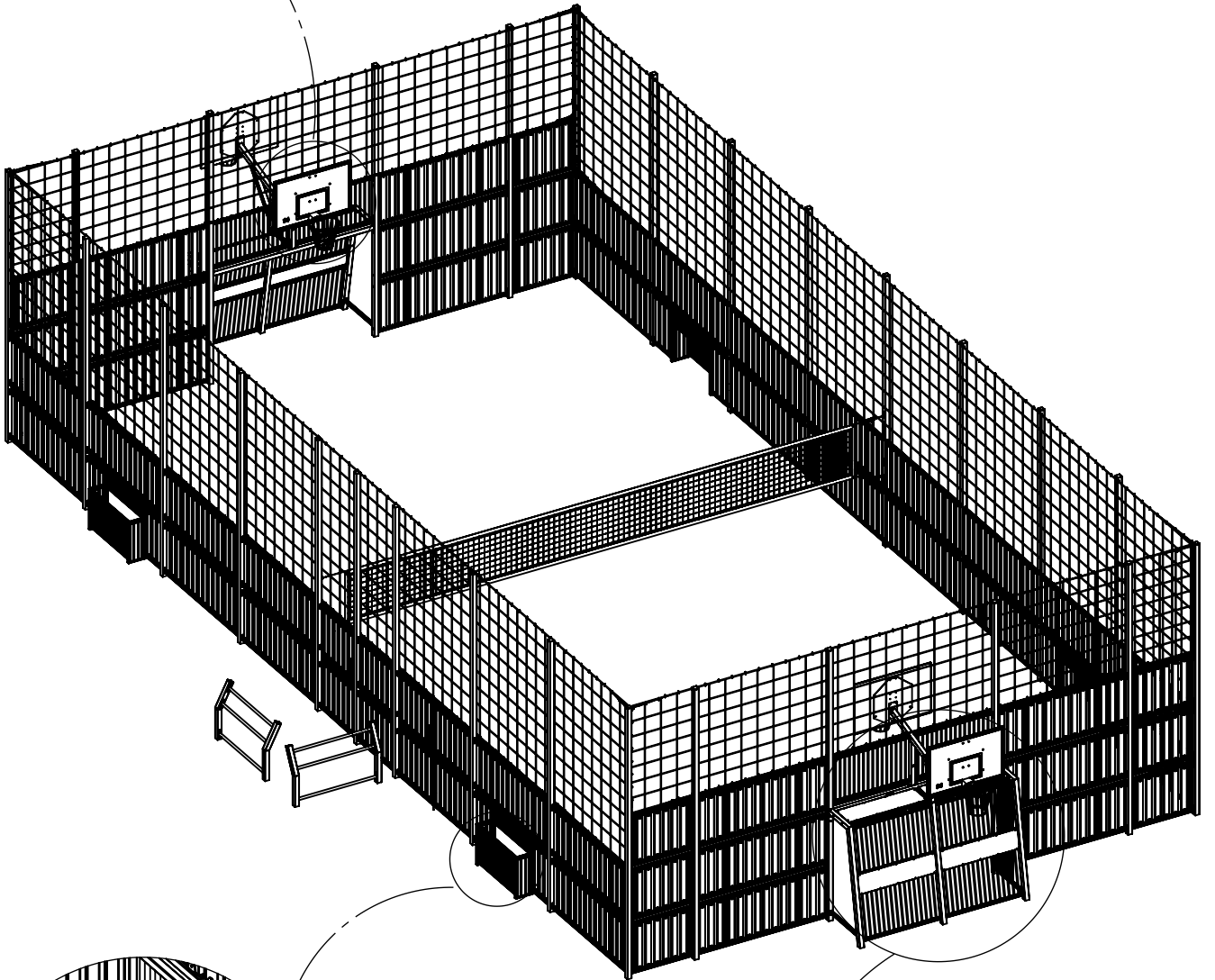
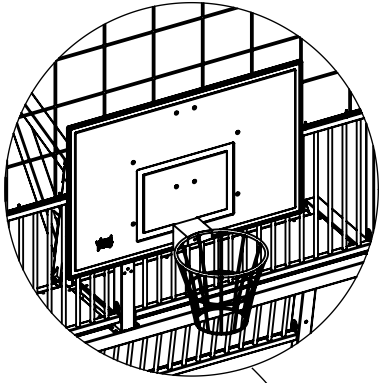


242011-003



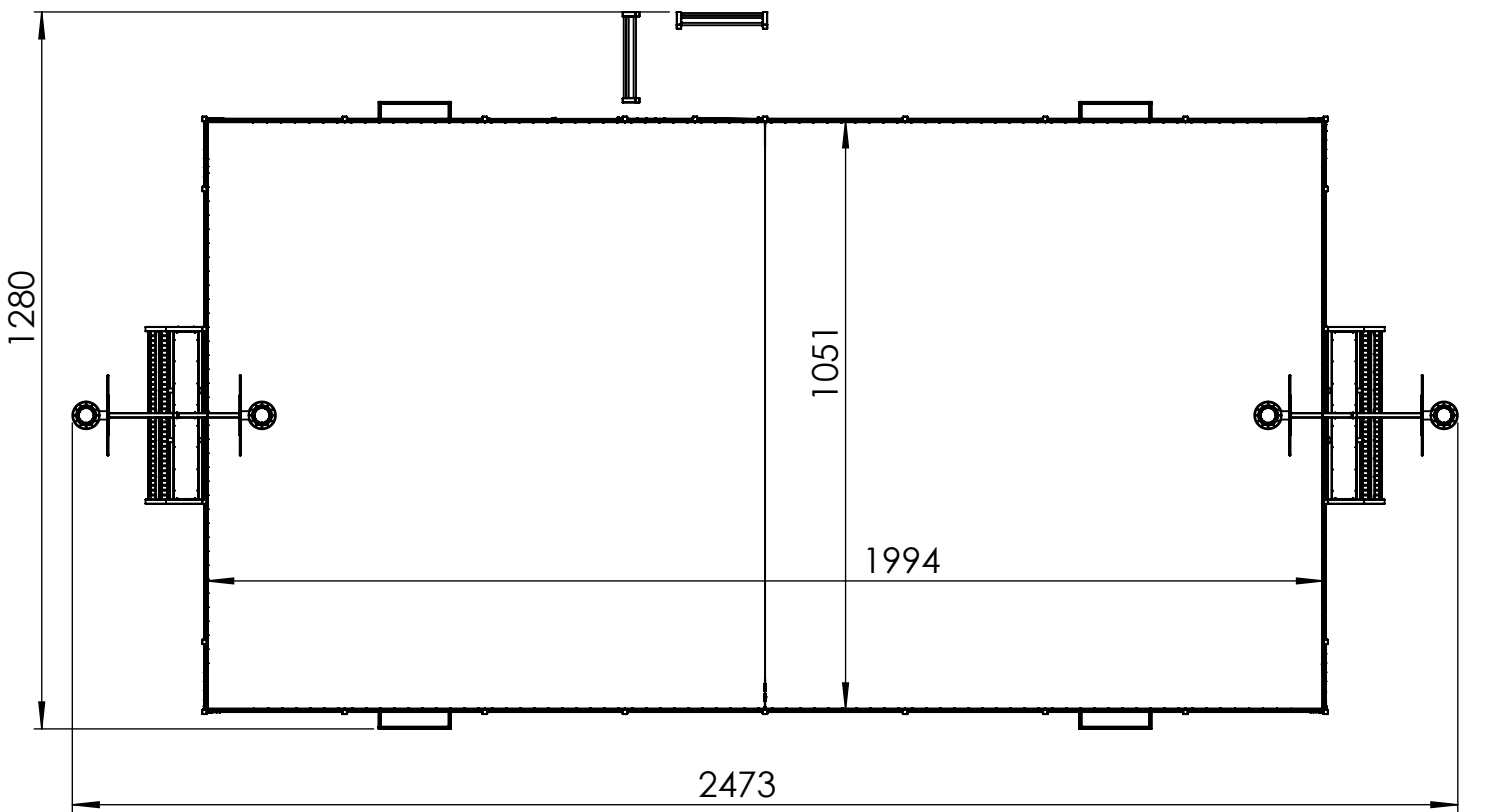
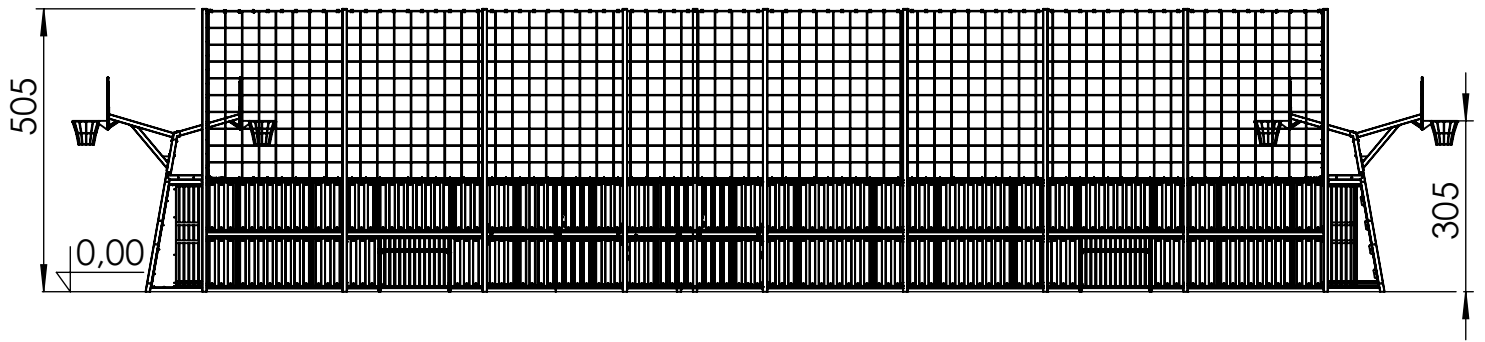
v010
26.10.2023
I.A.
[cm]

vinci
play



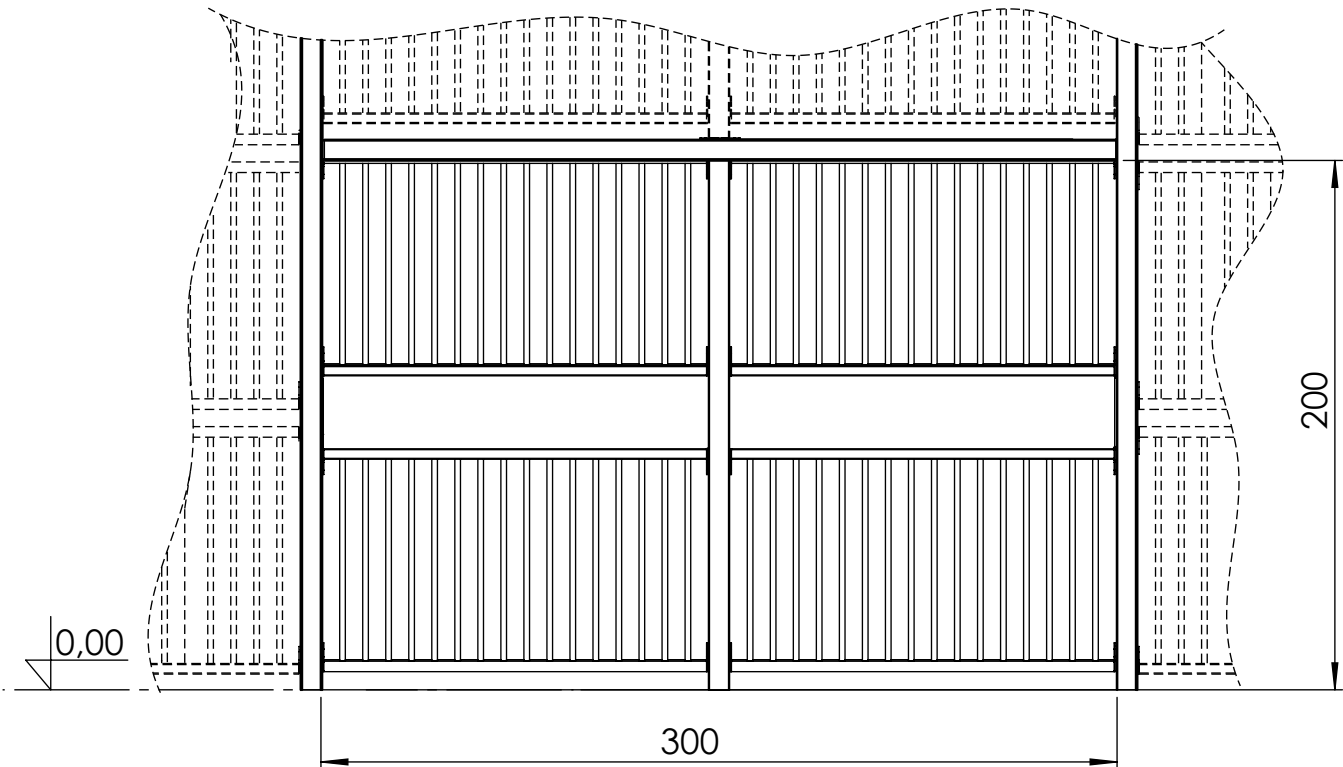
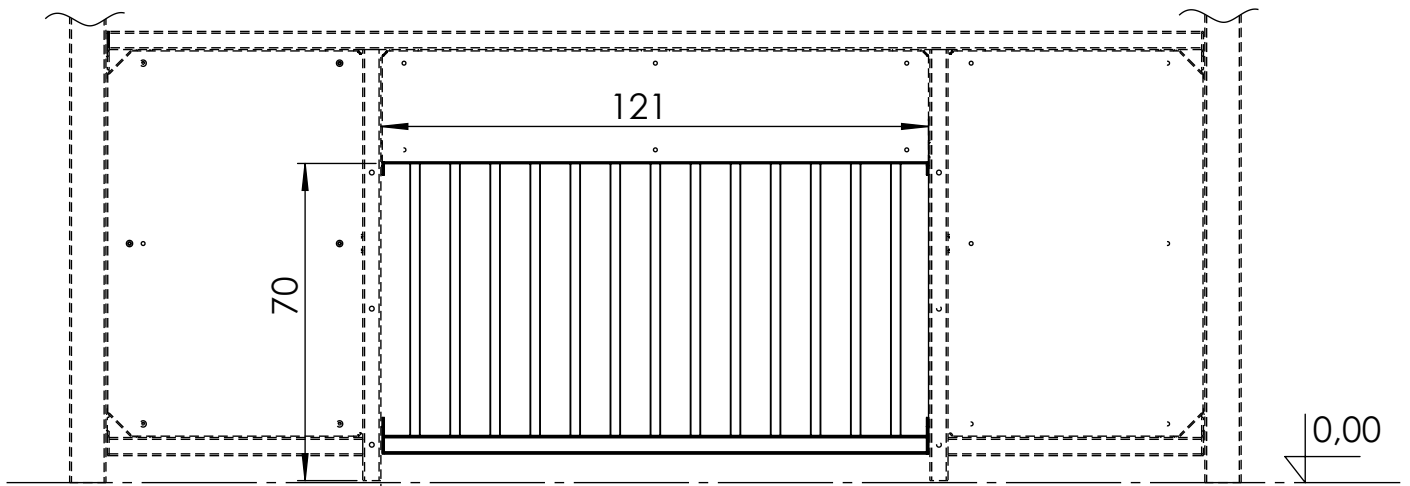
[cm]

vinci
play



[cm]

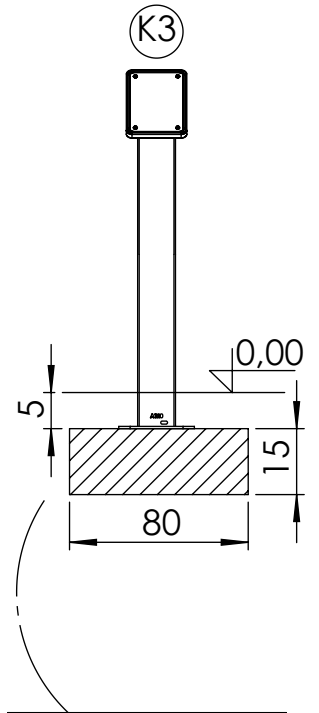
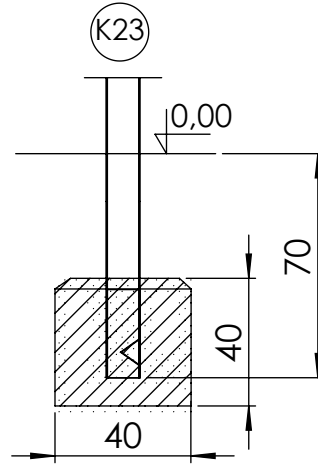
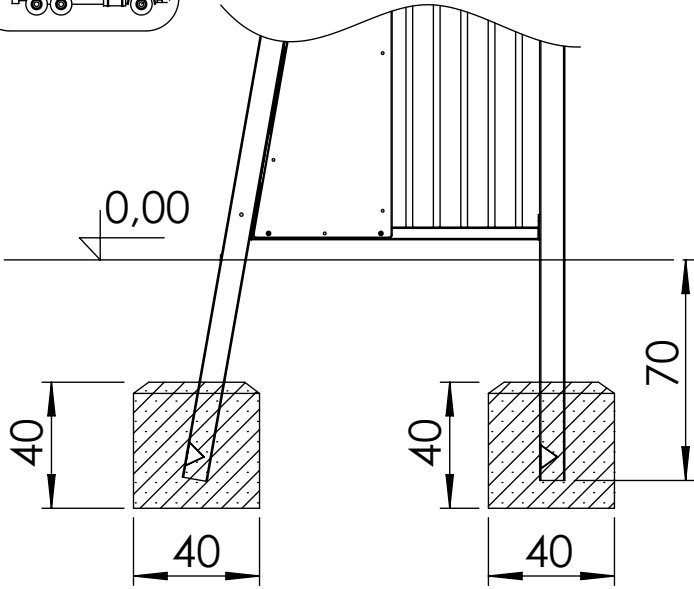
vinci
play



48h



K23



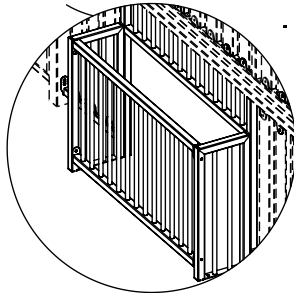
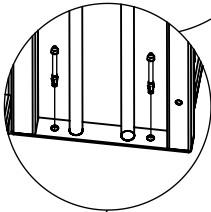
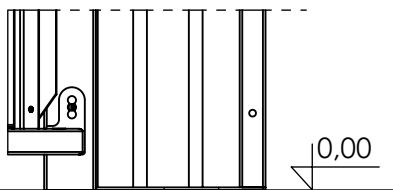
4x M10x120 (K3)



NOT INCLUDED



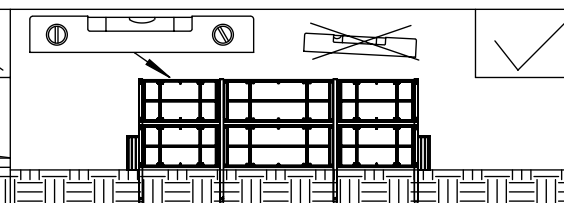
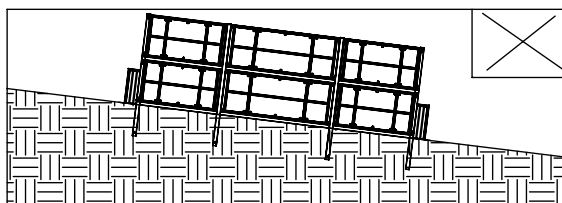
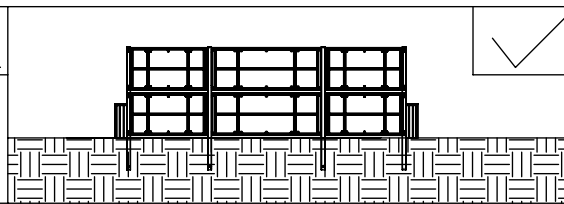
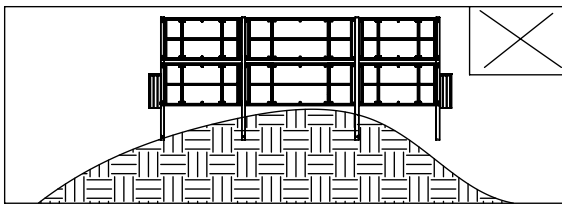
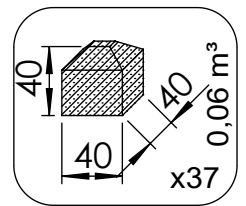
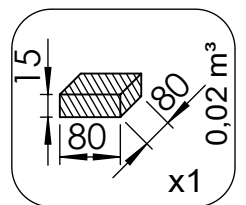
K4



16x M10x120 (K4)

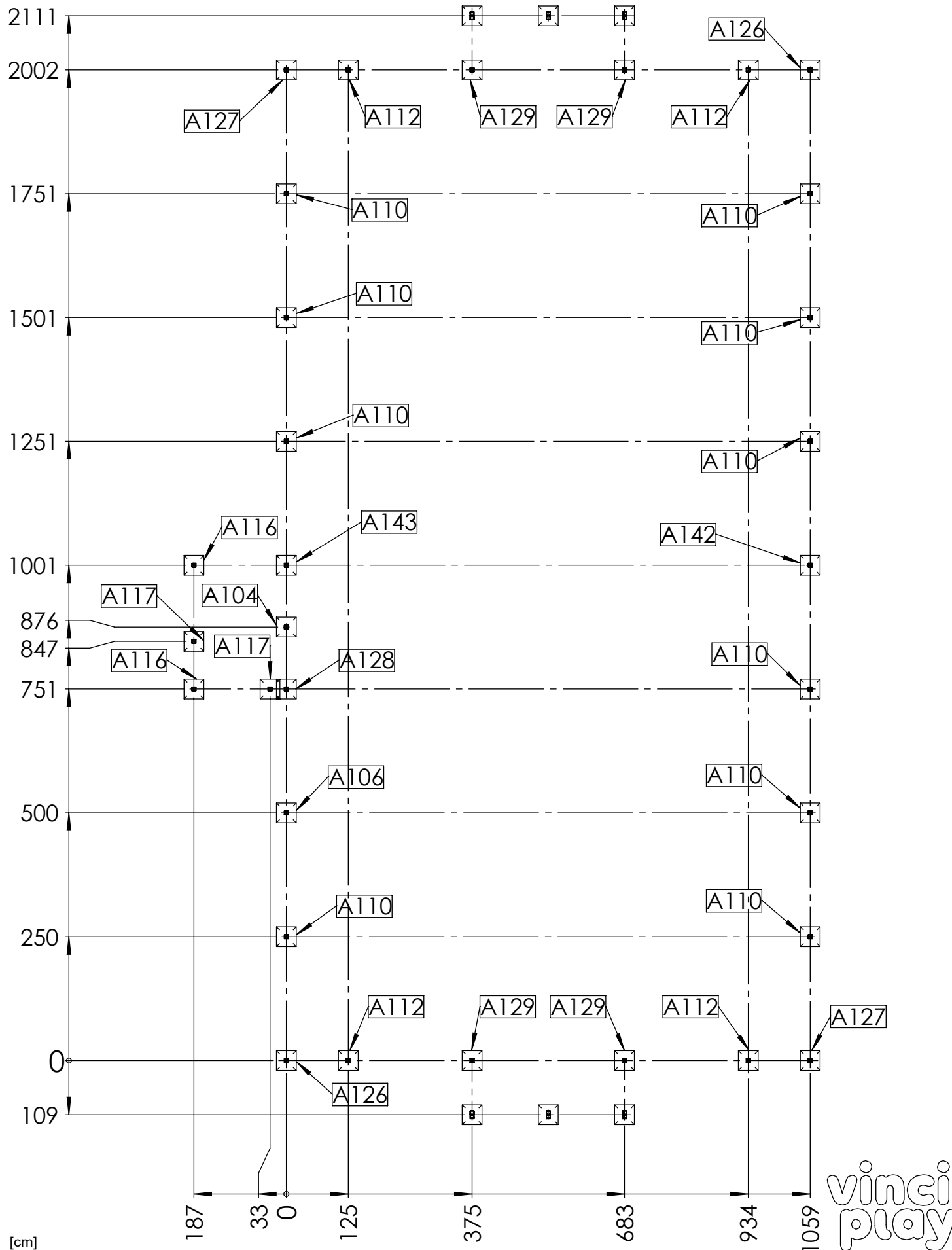
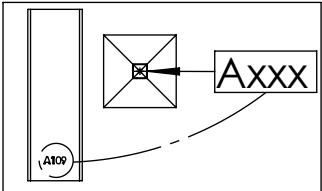


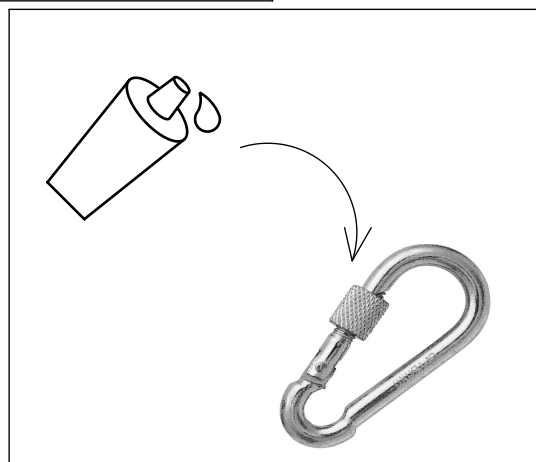
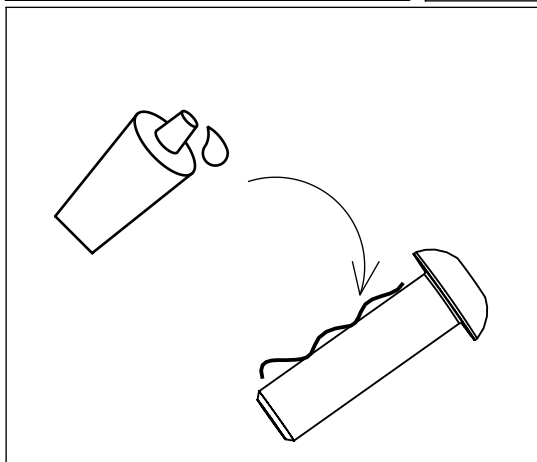
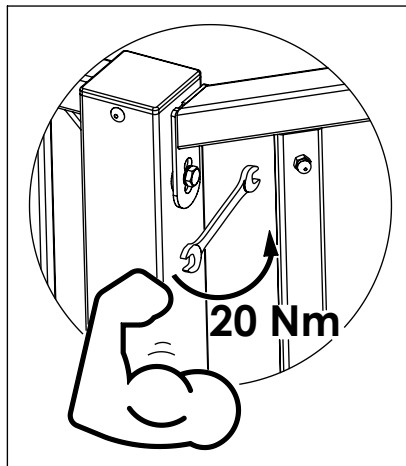
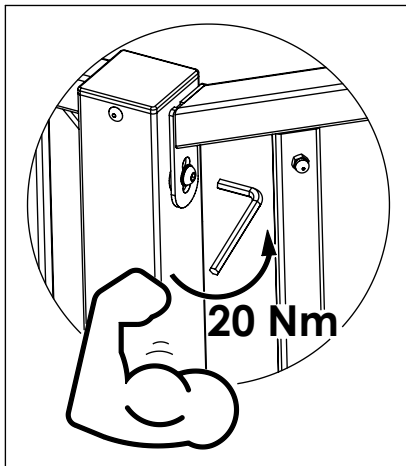
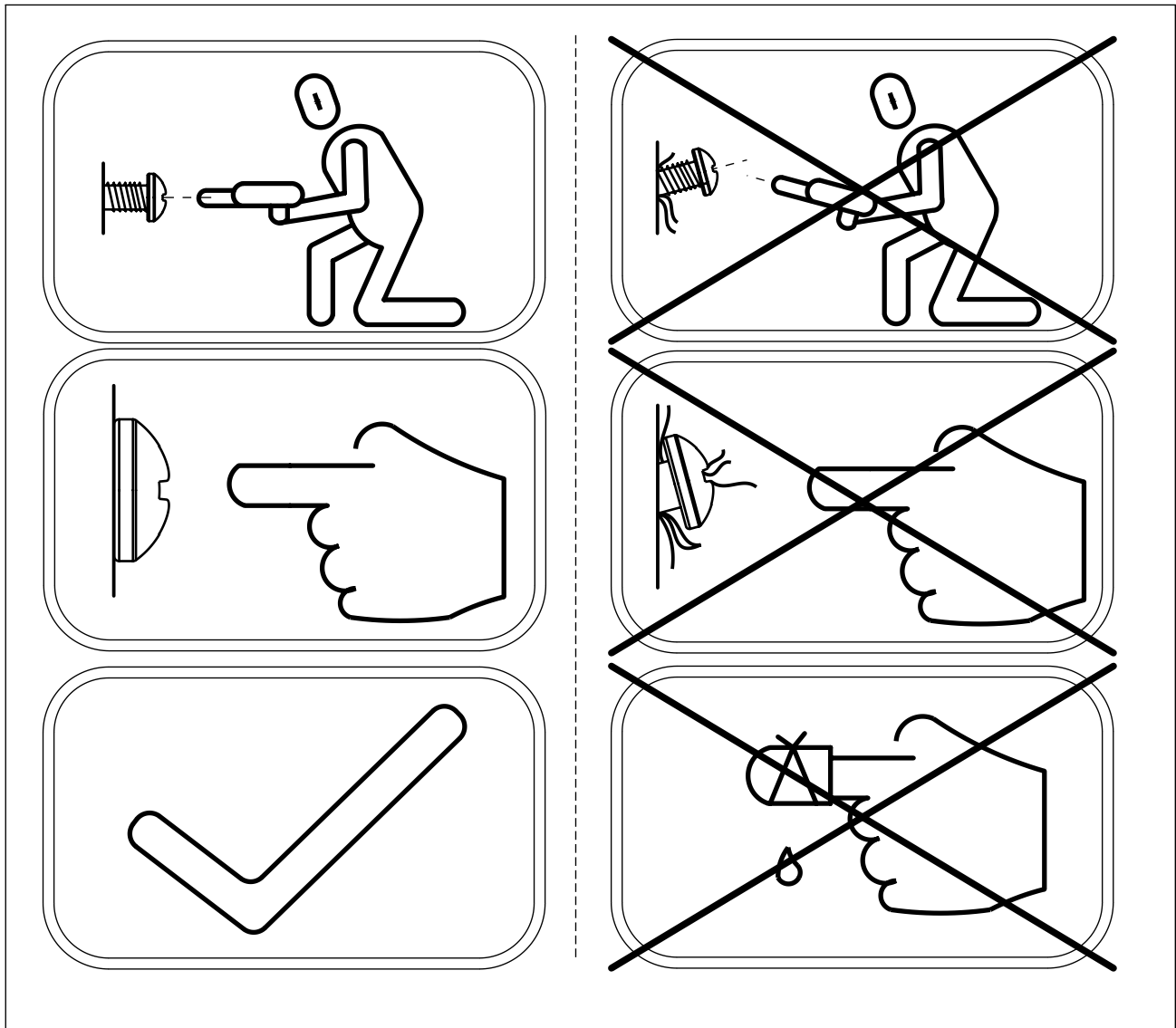
NOT INCLUDED



[cm]

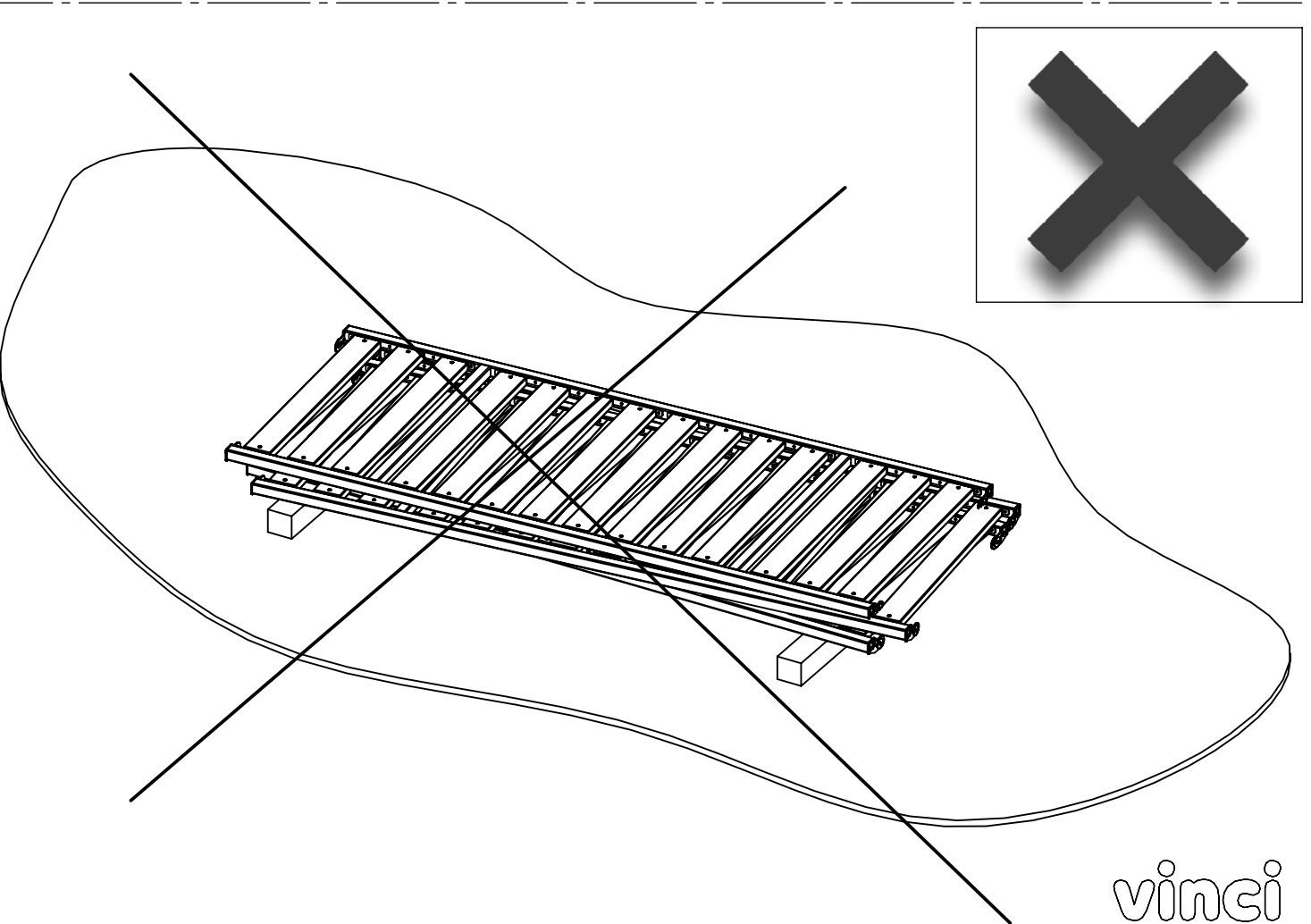
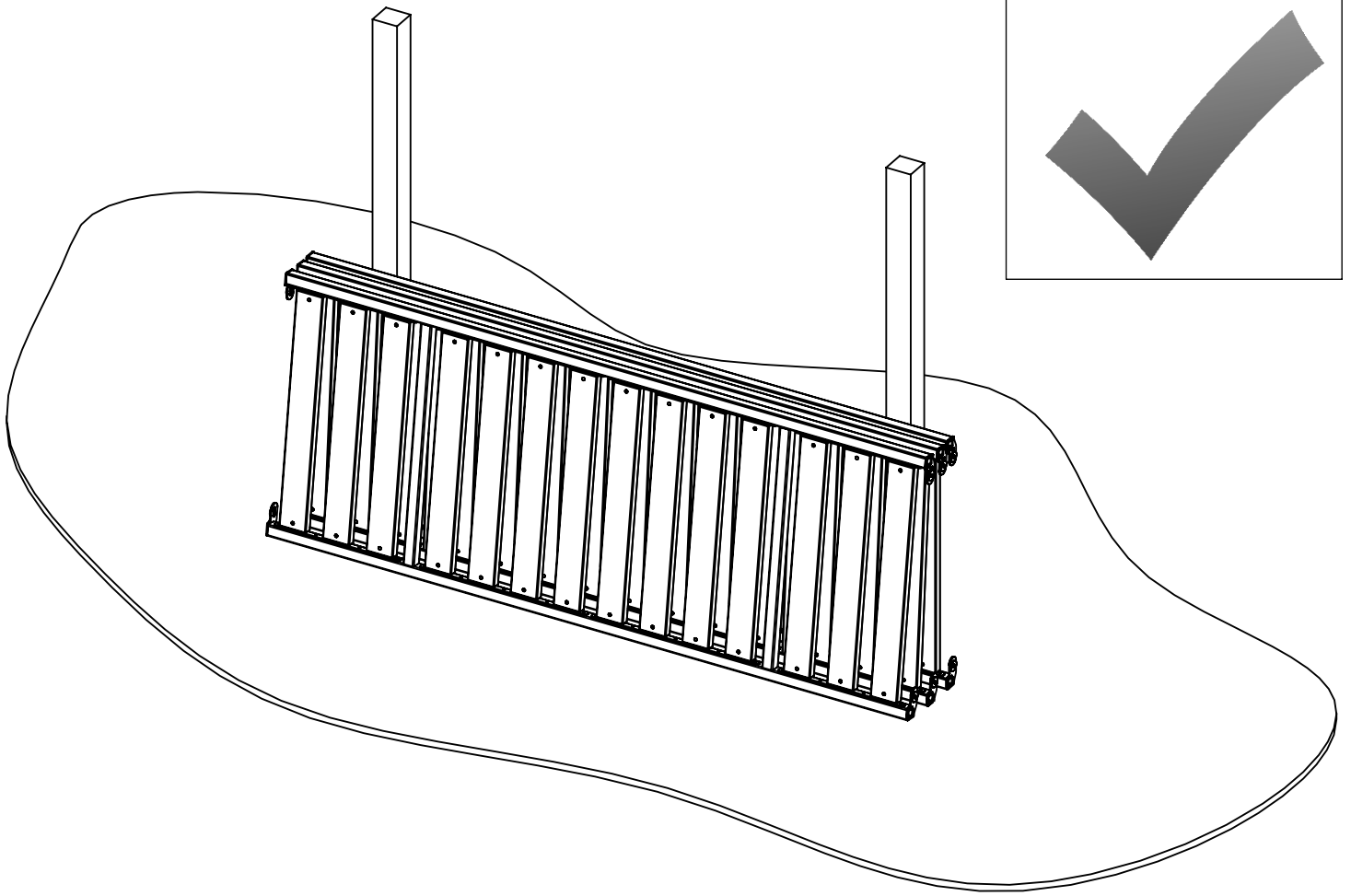
vinci play





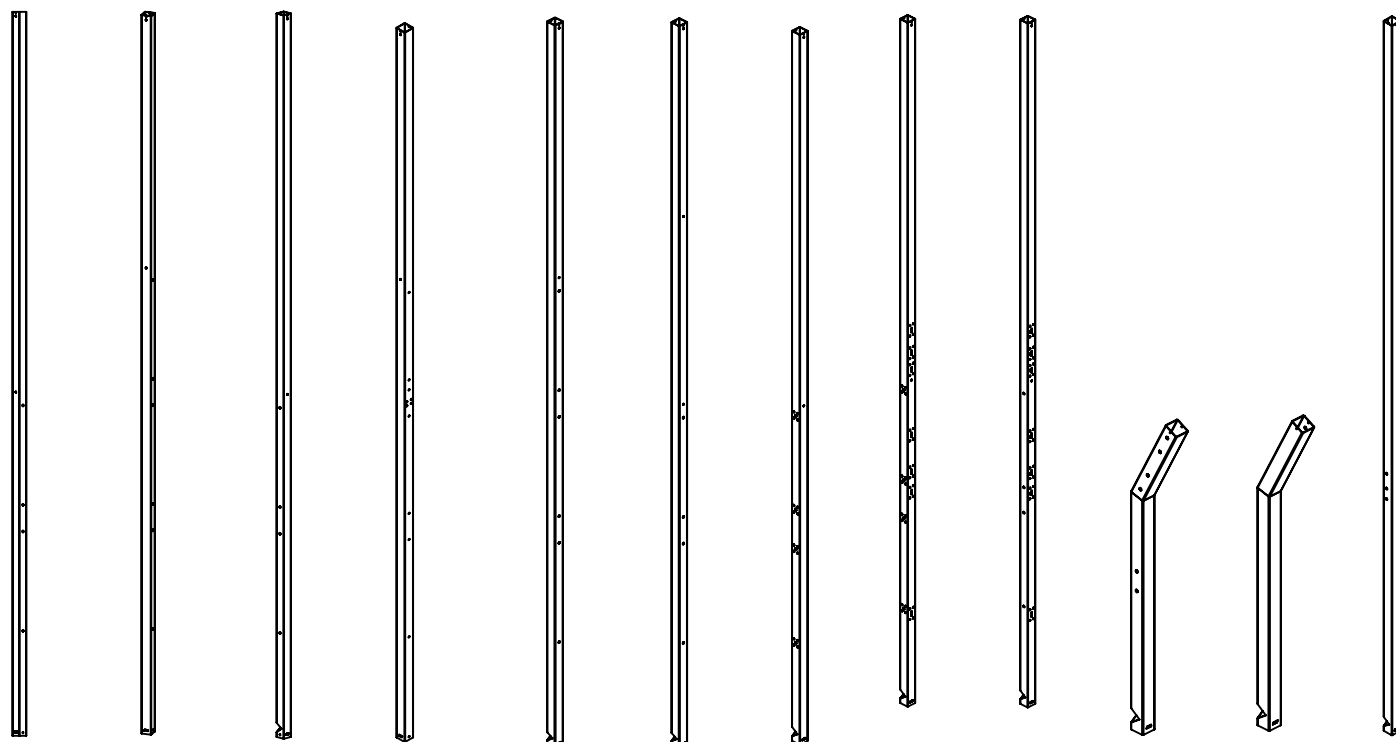
[cm]

vinci
play

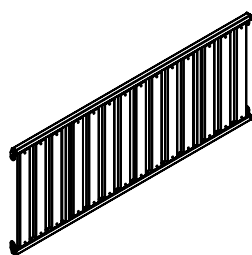


[cm]

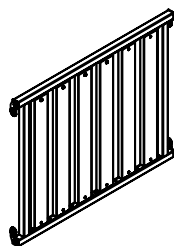
vinci
play



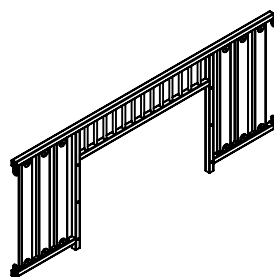
A110 x10 A112 x4 A106 x1 A129 x4 A126 x2 A127 x2 A128 x1 A143 x1 A142 x1 A116 x2 A117 x2 A104 x1



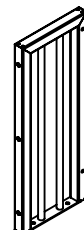
244105 x36



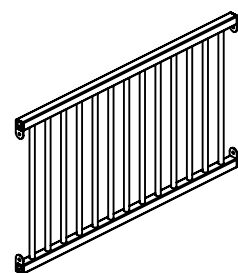
244109 x14



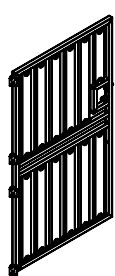
244106 x4



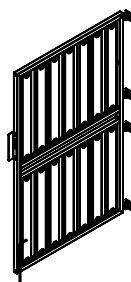
242105 x8



242106 x4



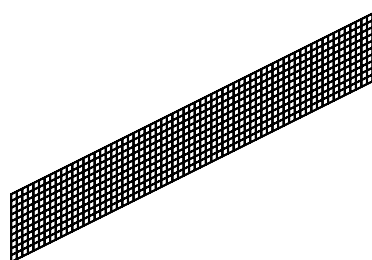
244120 x2



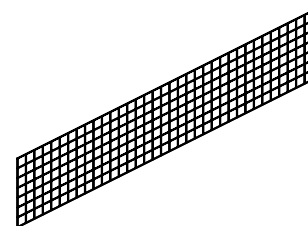
244121 x1



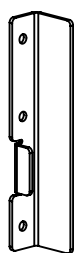
x1



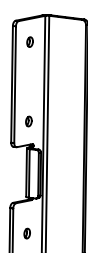
1982x290 x2



1039x190 x2



b817 x1



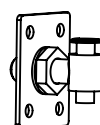
b816 x1



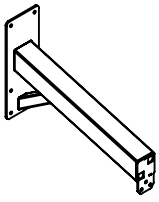
249100 x648



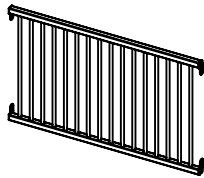
249101 x2



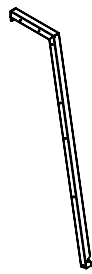
996484 x12



242147
x2



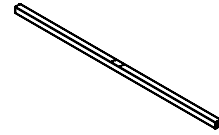
242139
x12



242115
x4



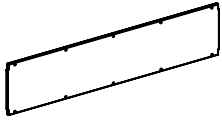
242113
x2



242112
x2



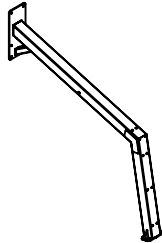
206100
x4



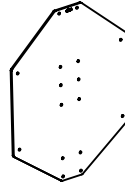
241109
x4



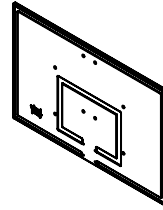
242114
x2



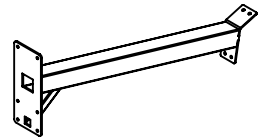
242111
x2



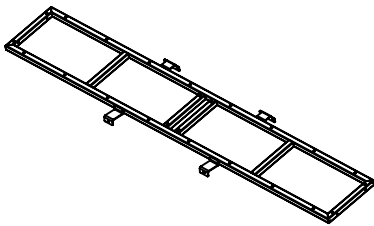
b799
x4



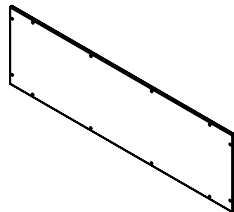
241104
x4



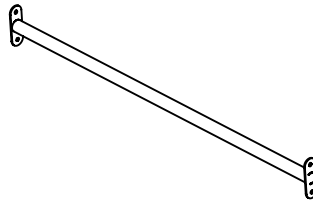
242124
x2



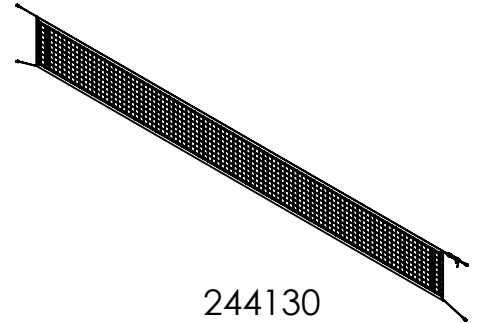
242152



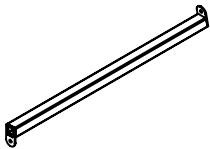
241115



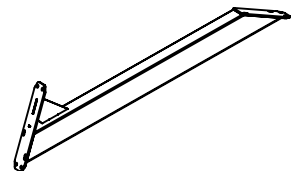
242141
x6



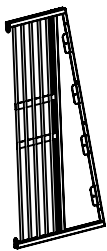
244130
x1



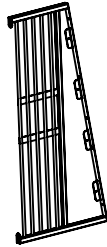
242123



242125
x2



244125

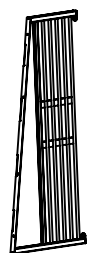


242109



241103

1x 24e011



244126

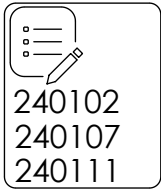


242146

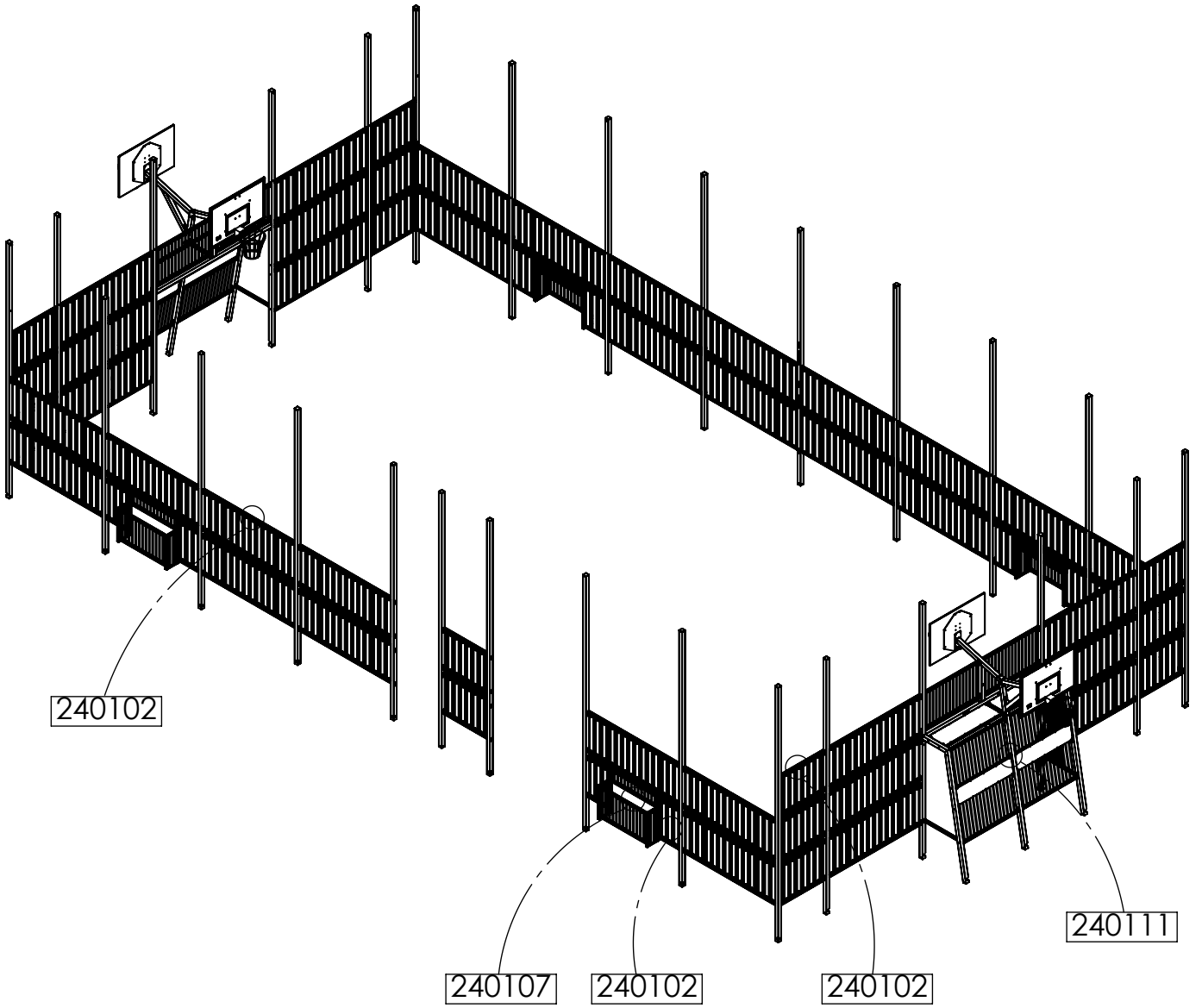


241103

1x 24e011

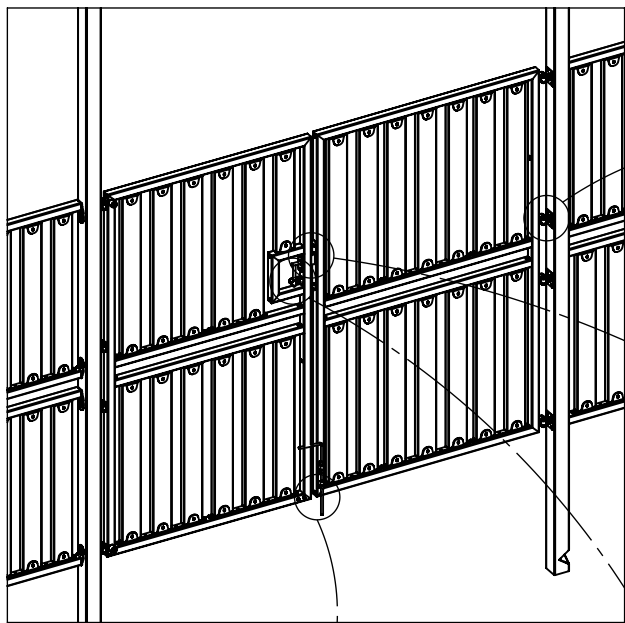


92	8x25ikl
92	8pp
94	10x25ikl
94	10pp
40	8x30ikl
40	24e001
37	24e003
20	24e004
2	24e032
2	24e034
1	24e035
1	24e036
322	996511
252	996483
1	24e046
1	24e005
1	V003
1	24e006
4	24e002
24	10x60ikl
16	24e007
2	24e017
4	24e023
4	24e025
4	24e012
2	24e013
2	24e014
2	24e018
2	24e021
4	24e011
2	24e029

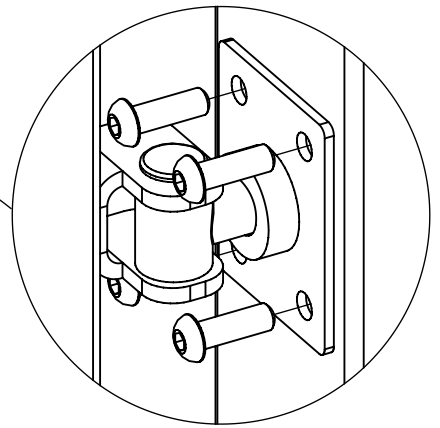


[cm]

vinci
play

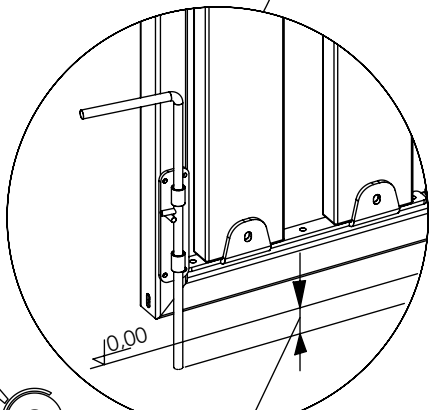


24e032

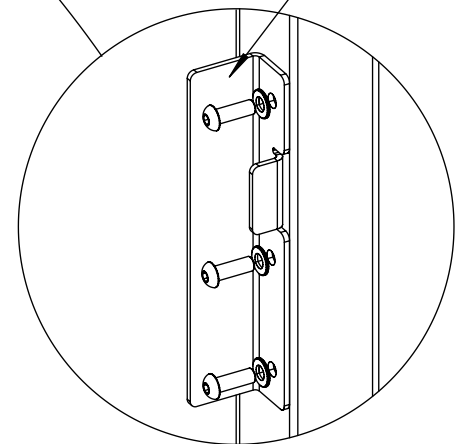
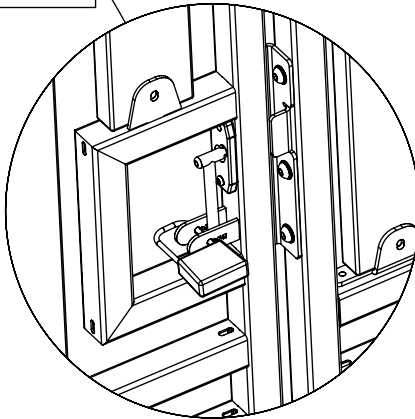


32x 8x25ikl

32x 8pp

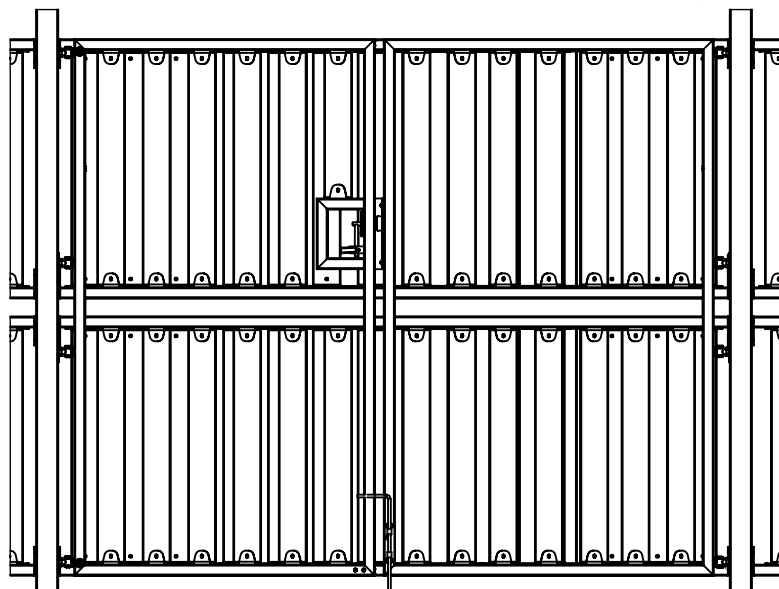
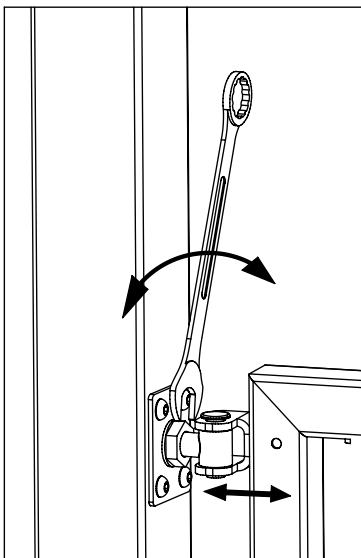
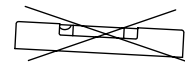
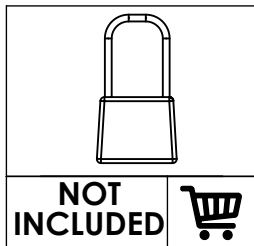


CUT 2-5 cm



3x 10x25ikl

3x 10pp

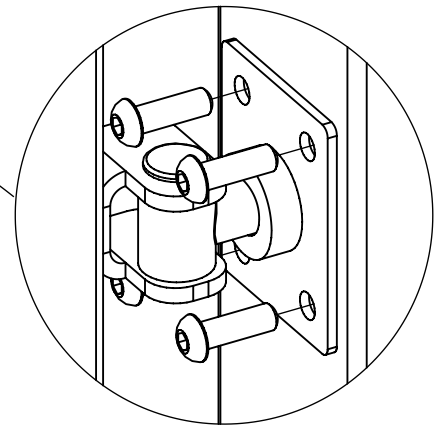
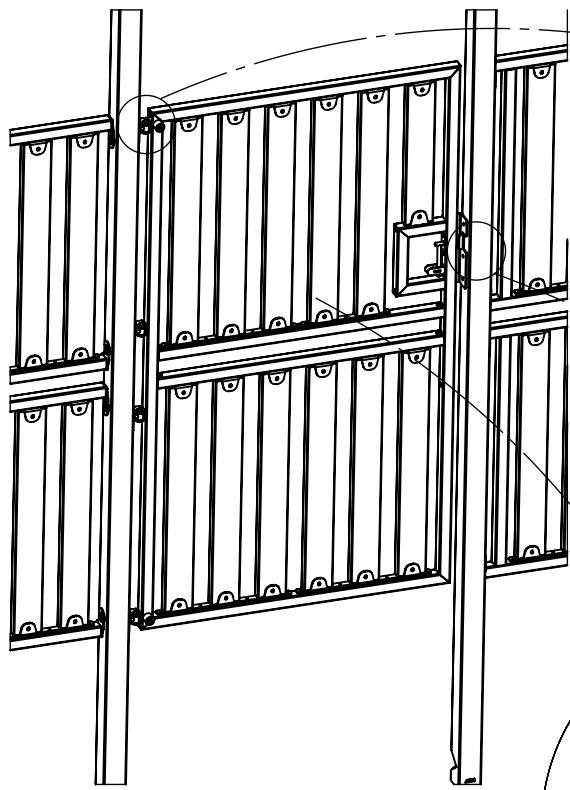


2x 24e004

1x 24e003

vinci play

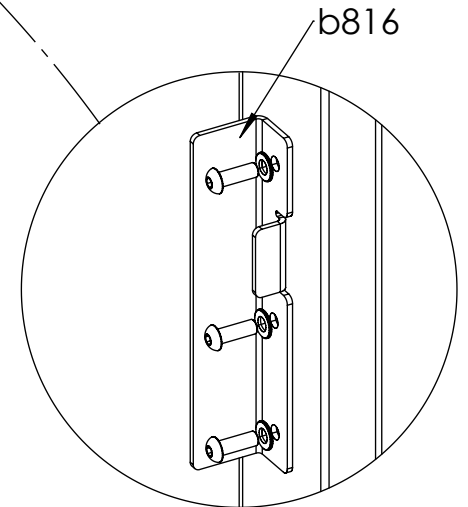
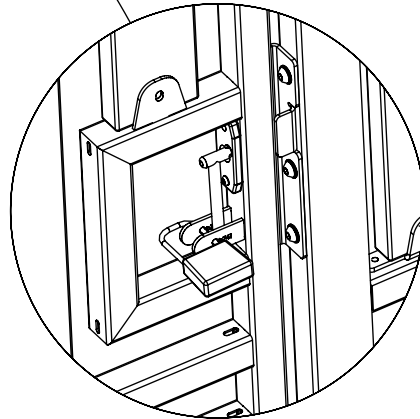
[cm]



16x 8x25ikl

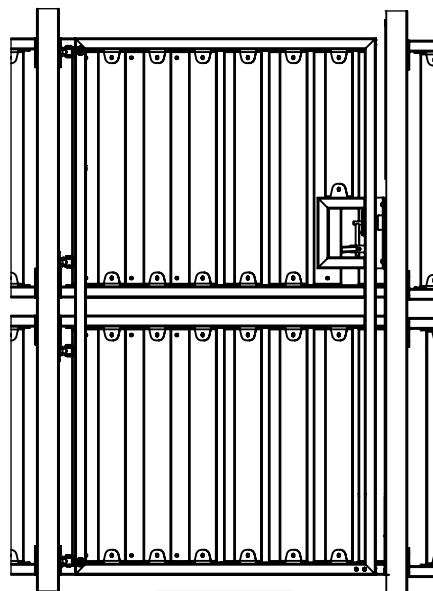
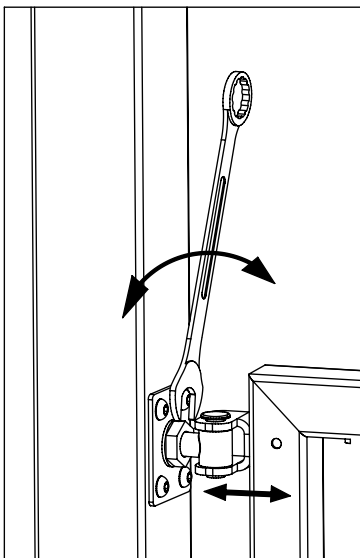
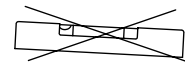
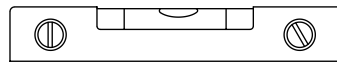
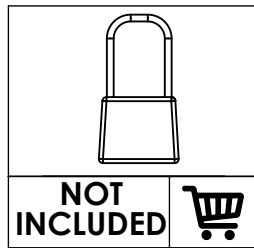
16x 8pp

24e032



3x 10x25ikl

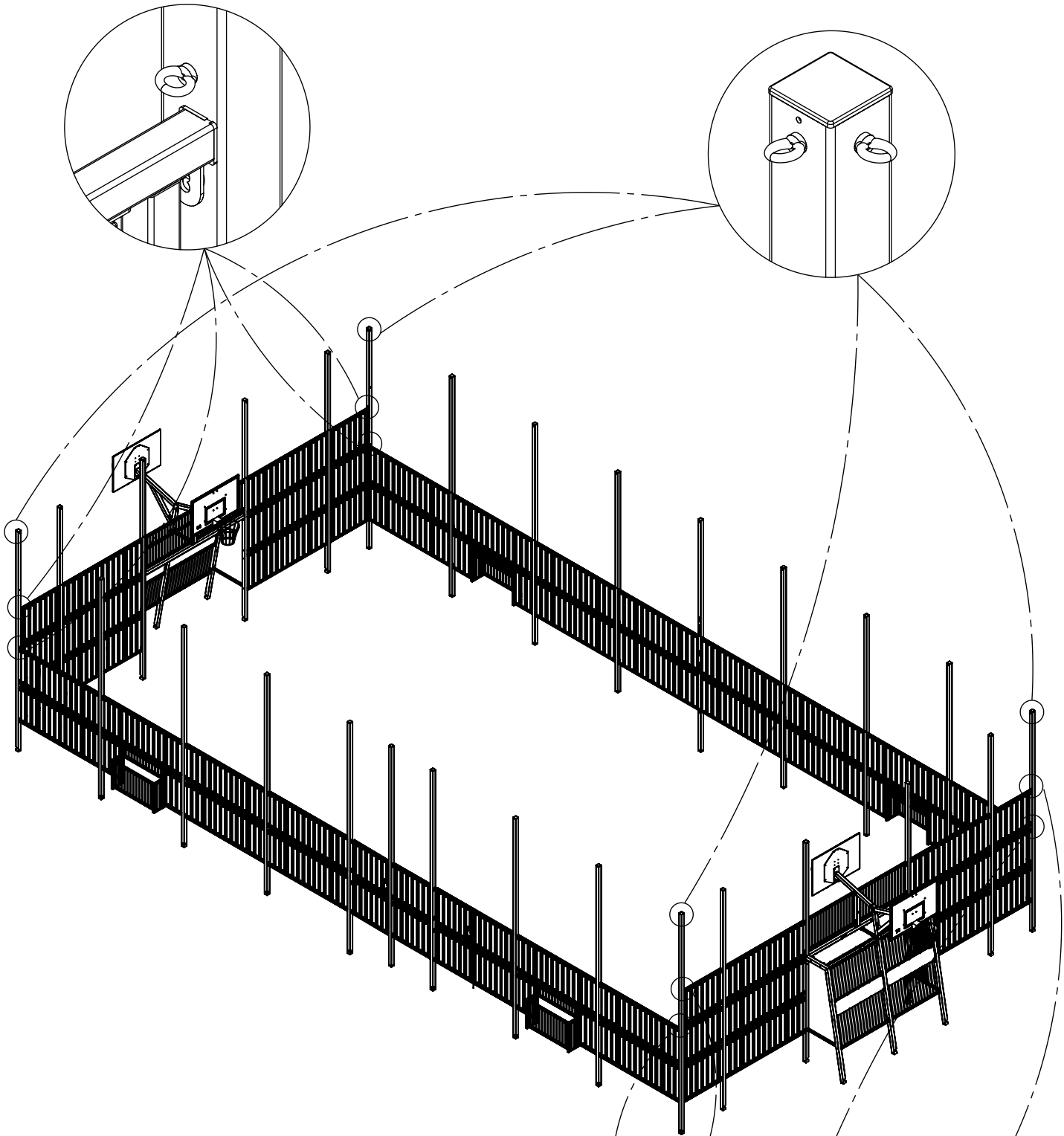
3x 10pp



2x 24e004

vinci play

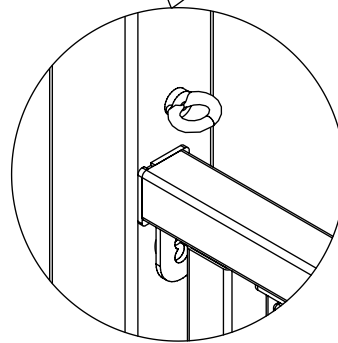
[cm]



2x 24e034

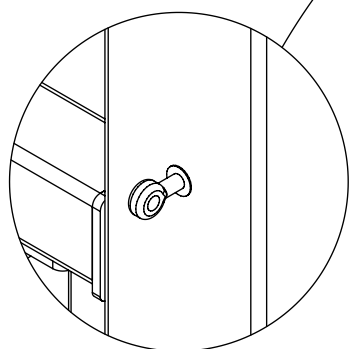
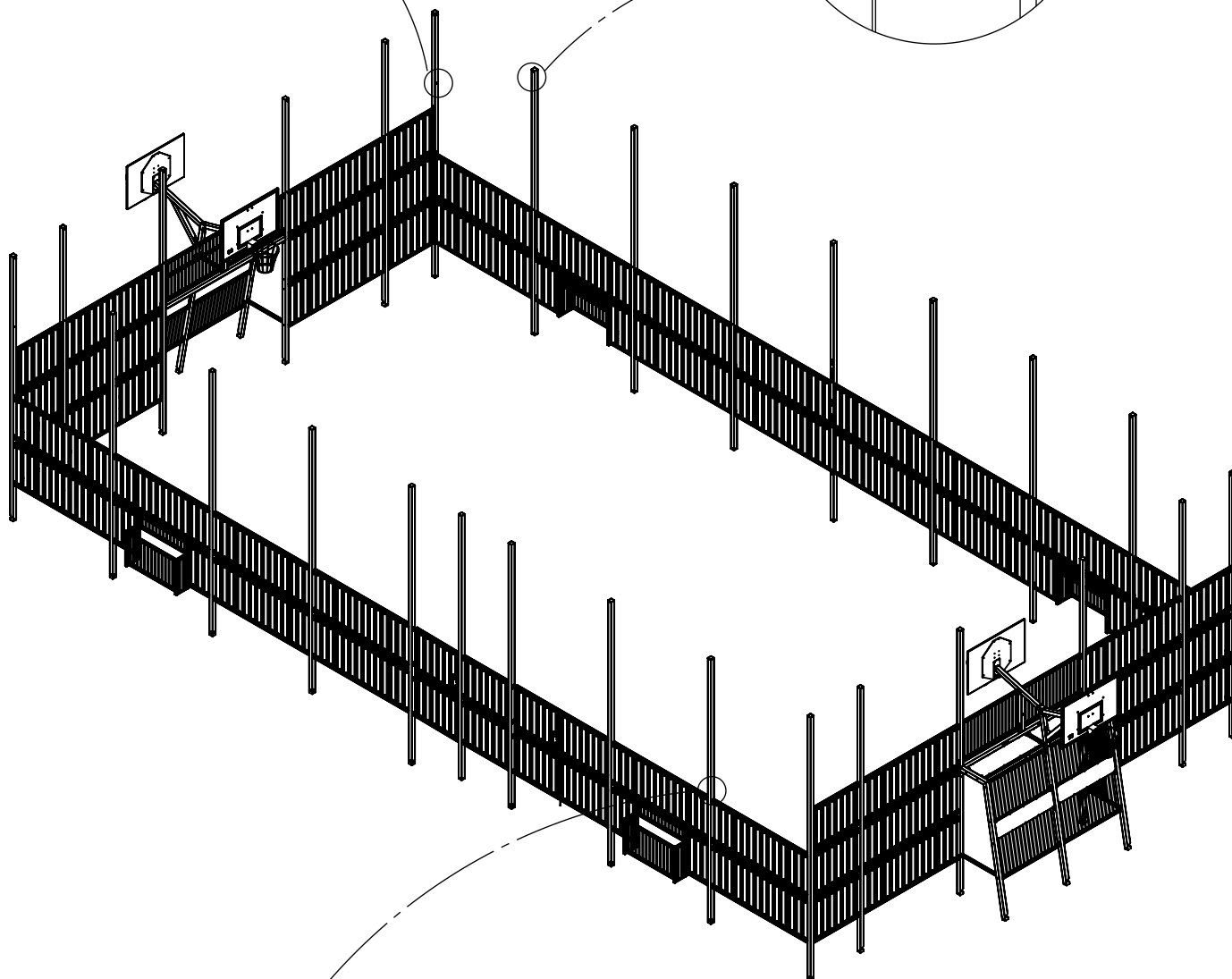
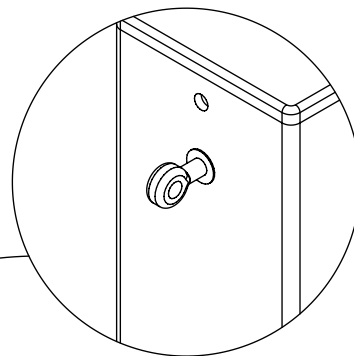
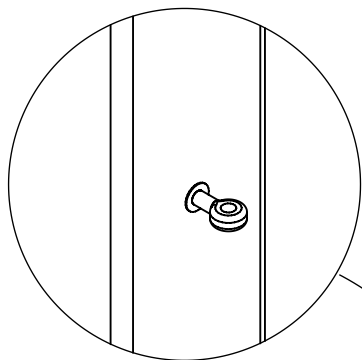
1x 24e035

1x 24e036



vinci
play

[cm]



24e034

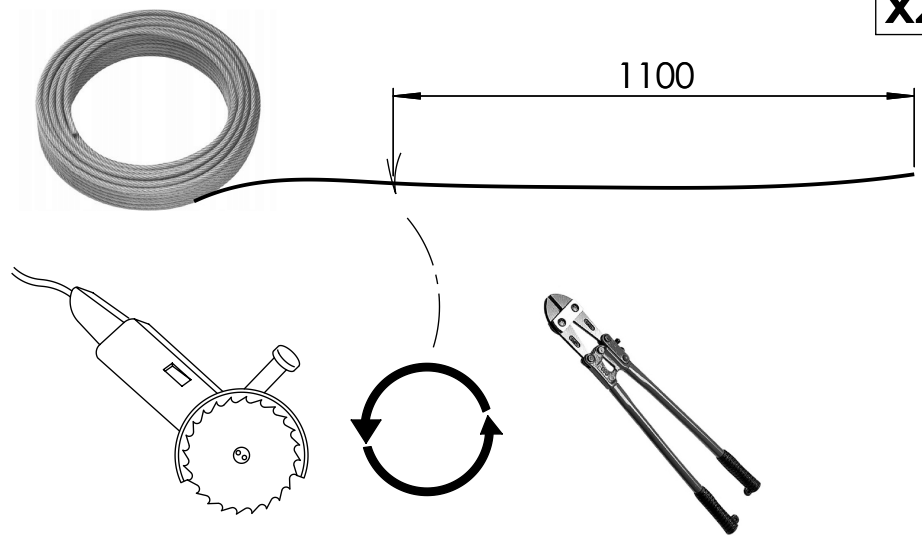
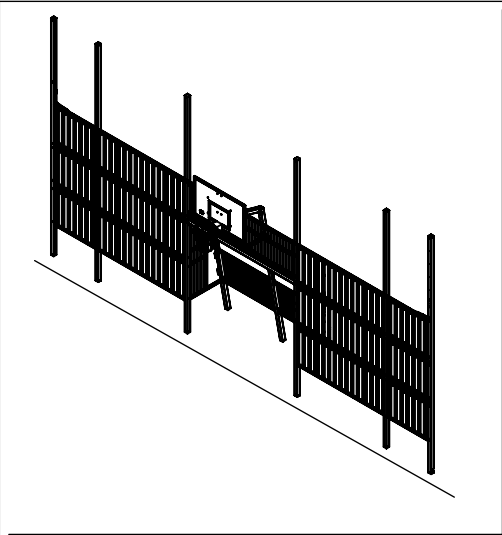
24e035

24e036

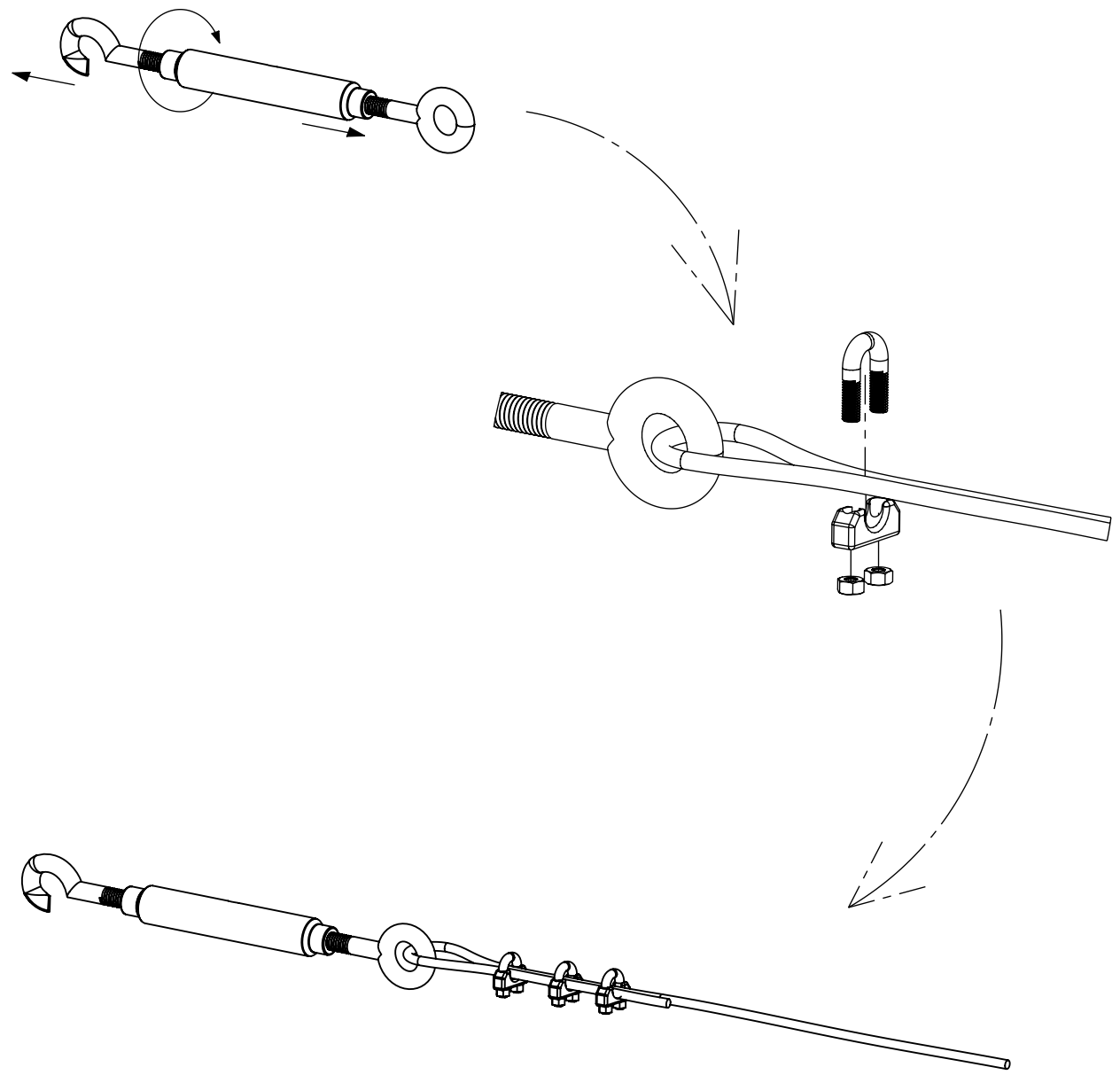
[cm]

vinci
play

x2

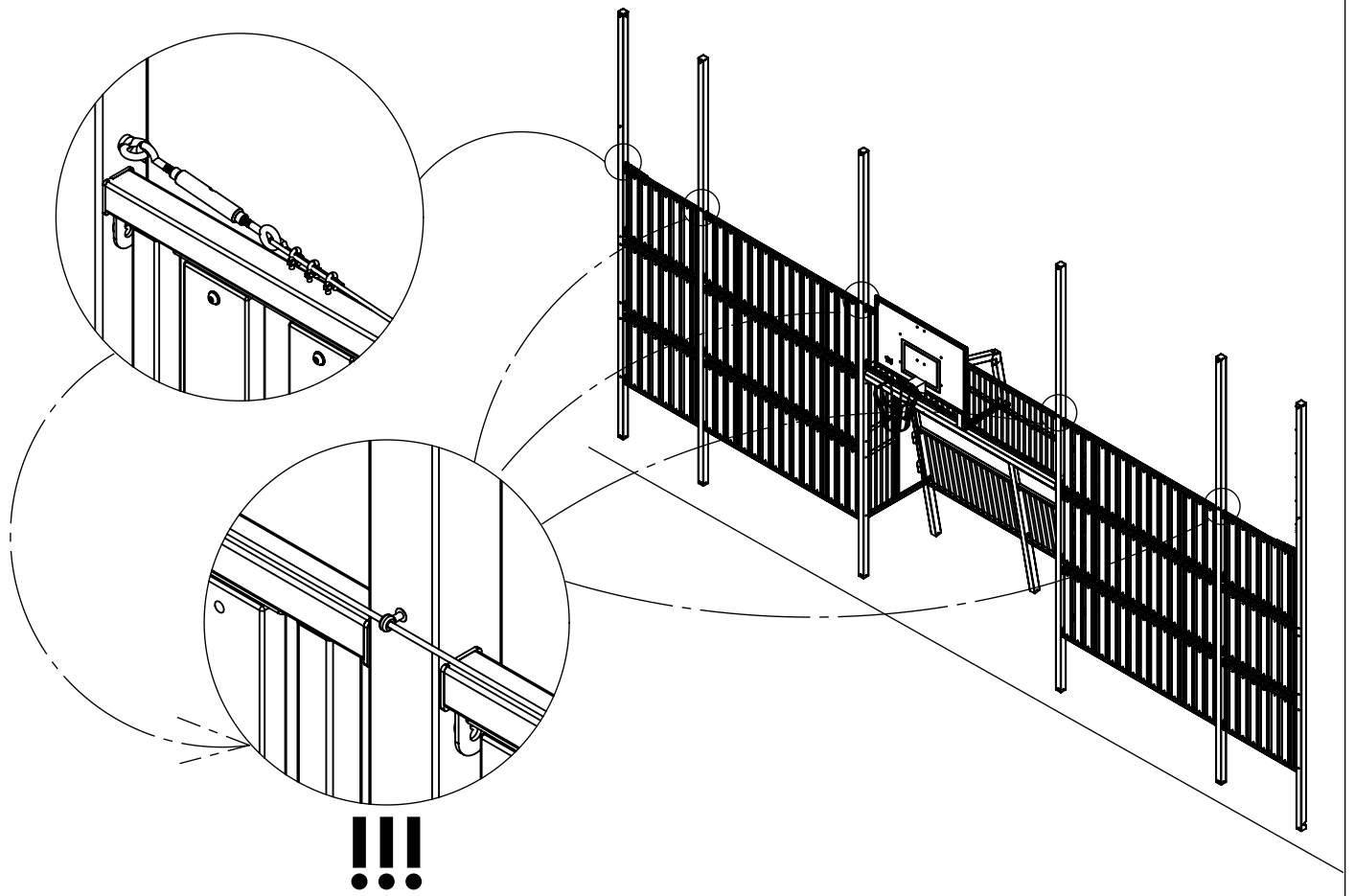


24e034

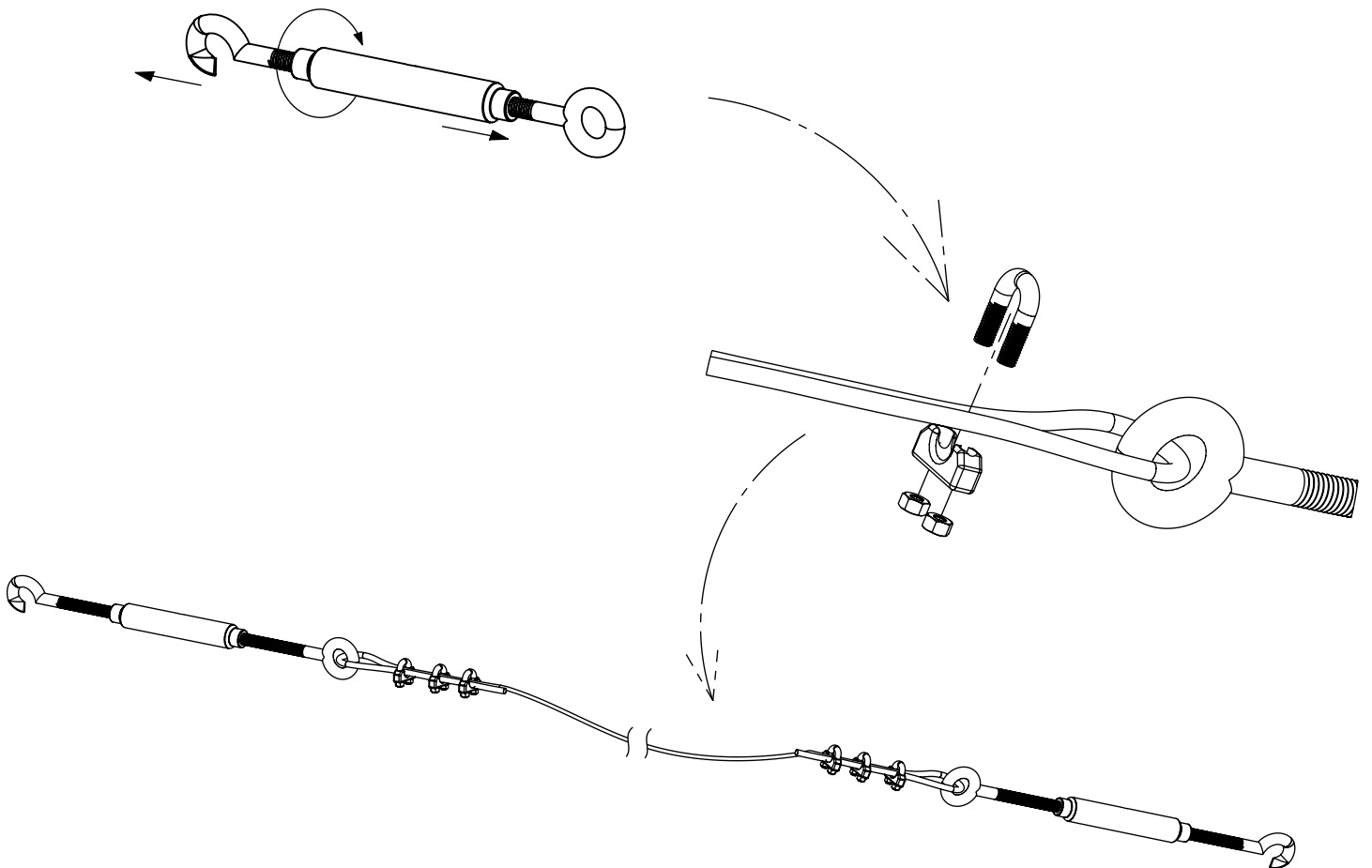


[cm]

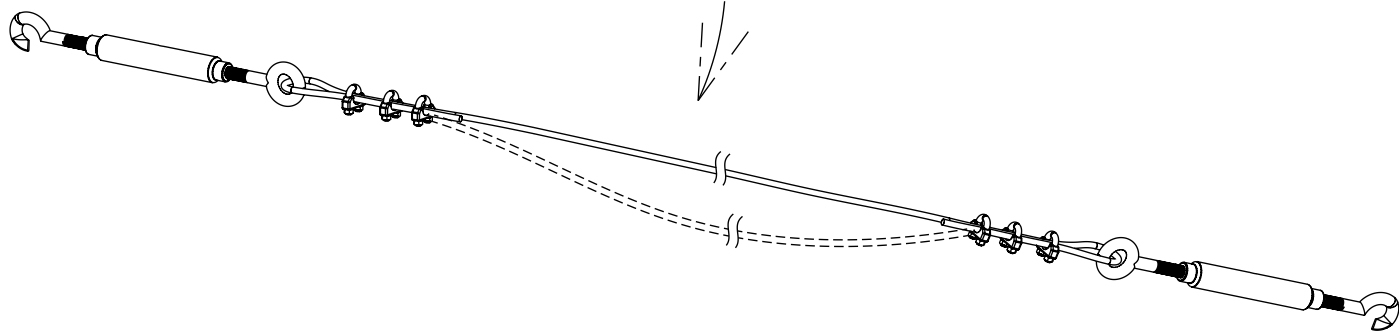
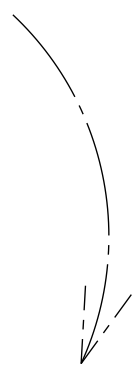
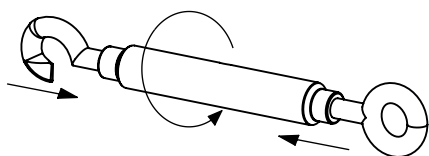
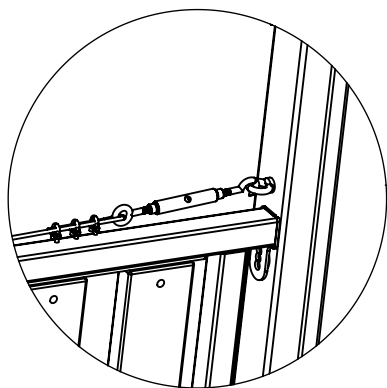
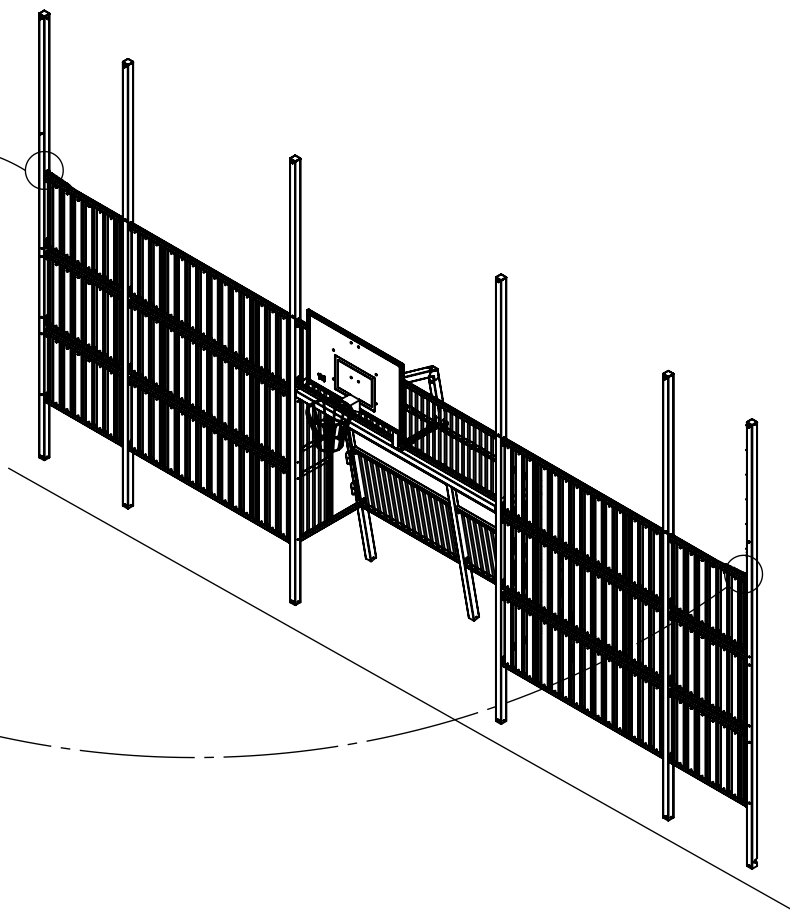
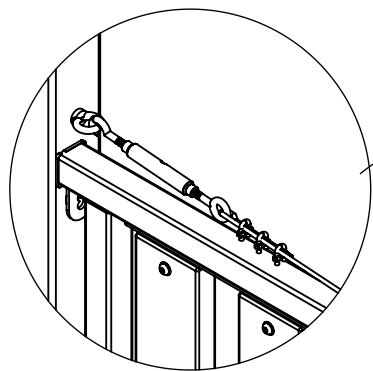
vinci play



24e034



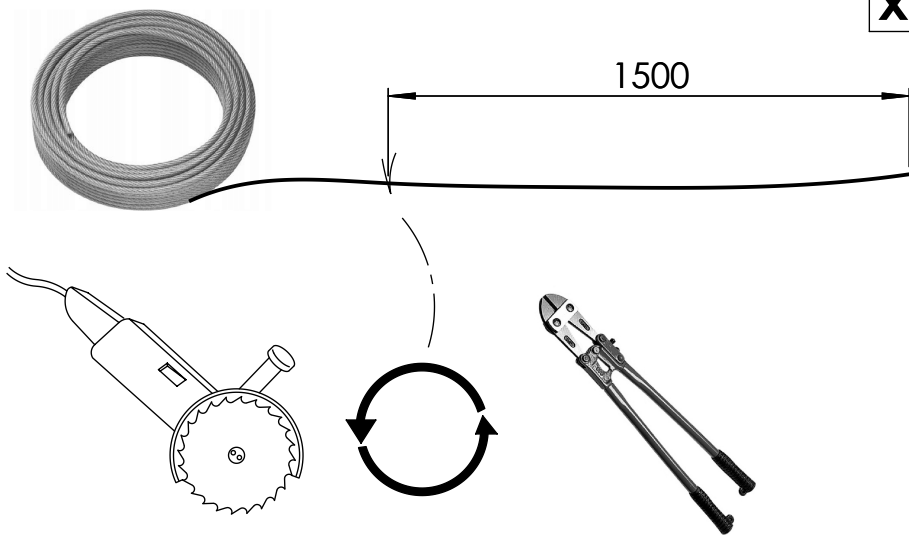
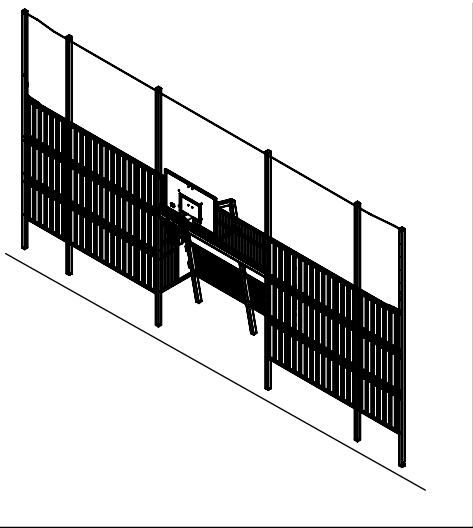
vinci
play



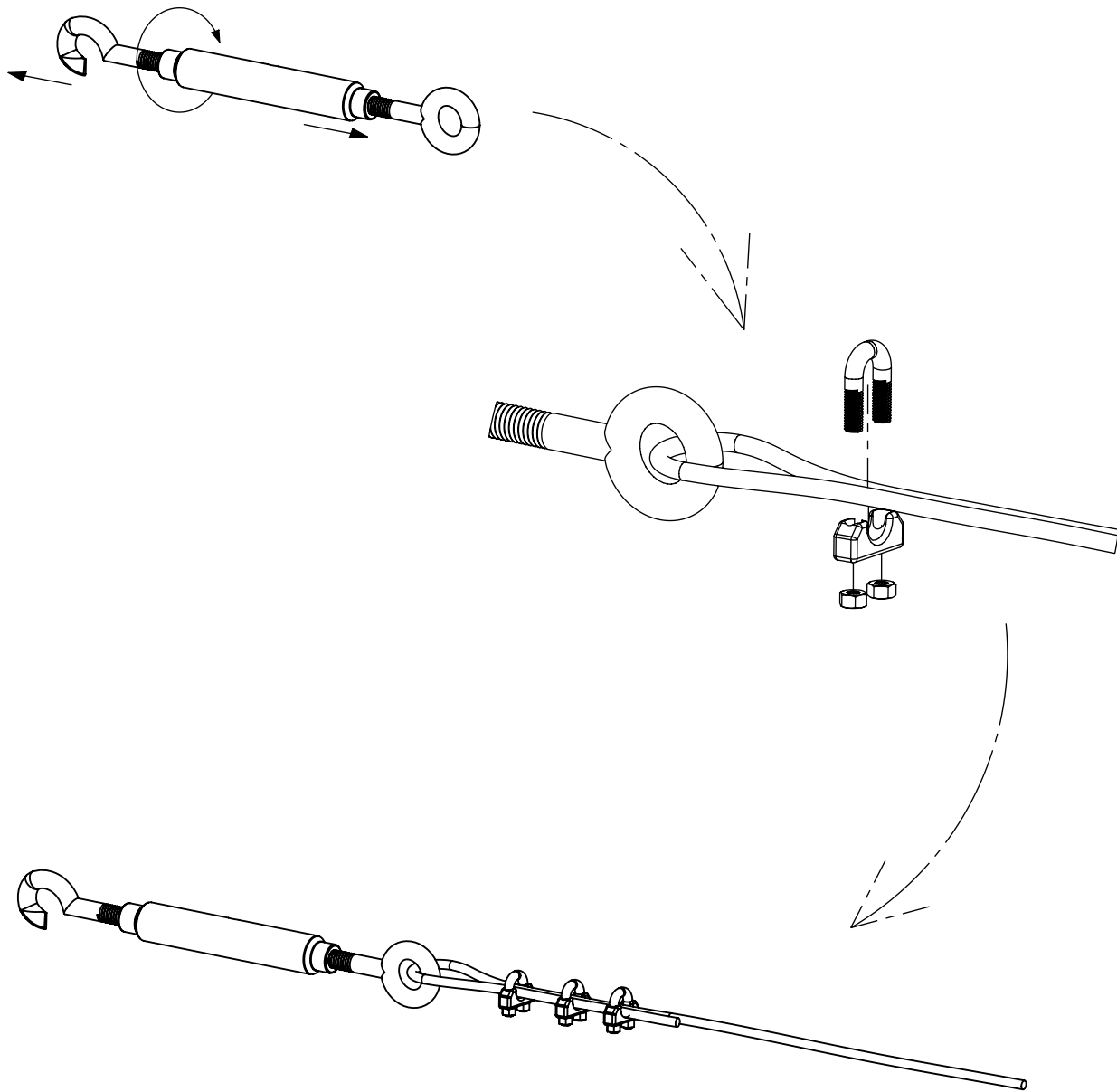
[cm]

vinci
play

x2

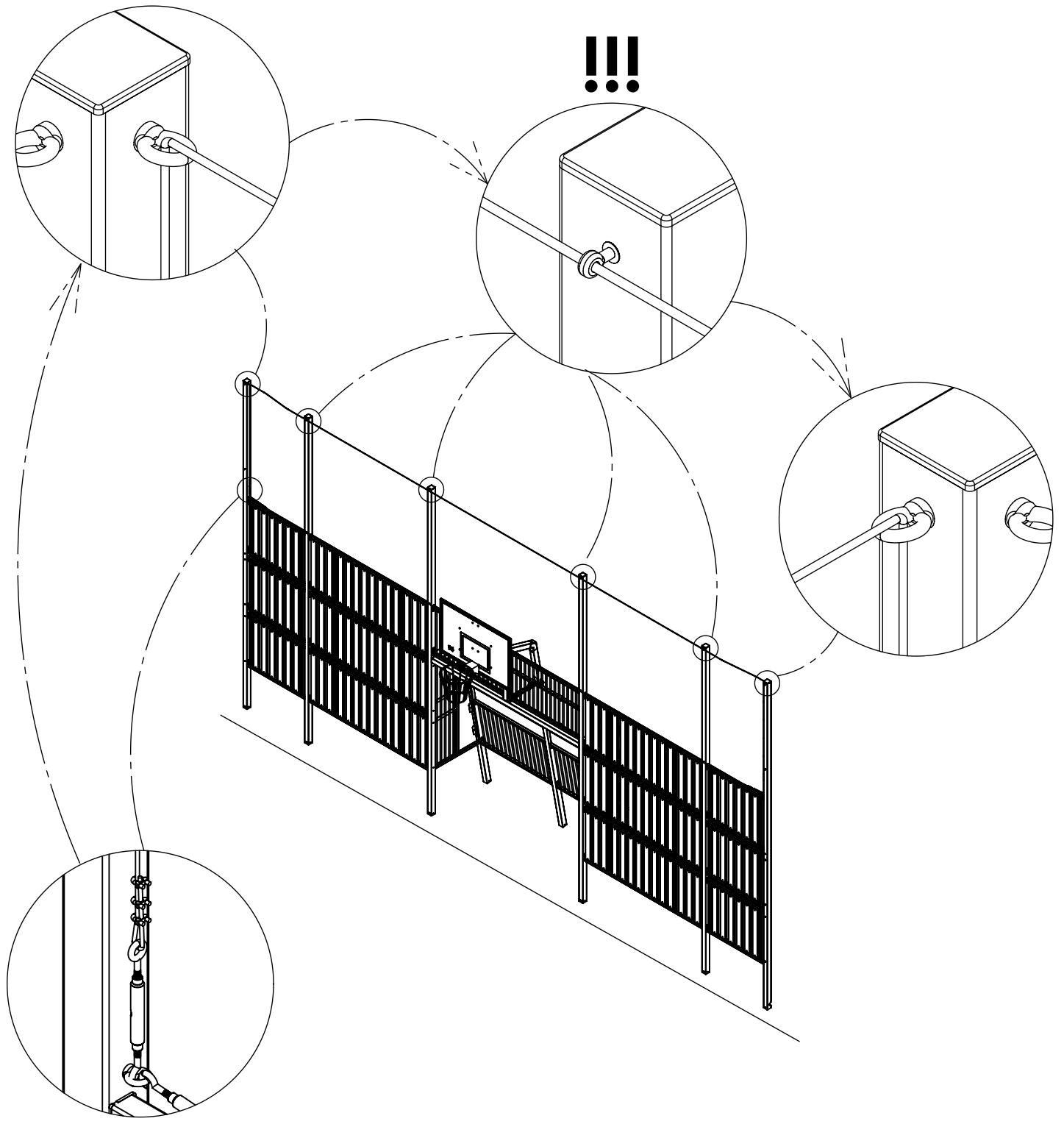


24e034



[cm]

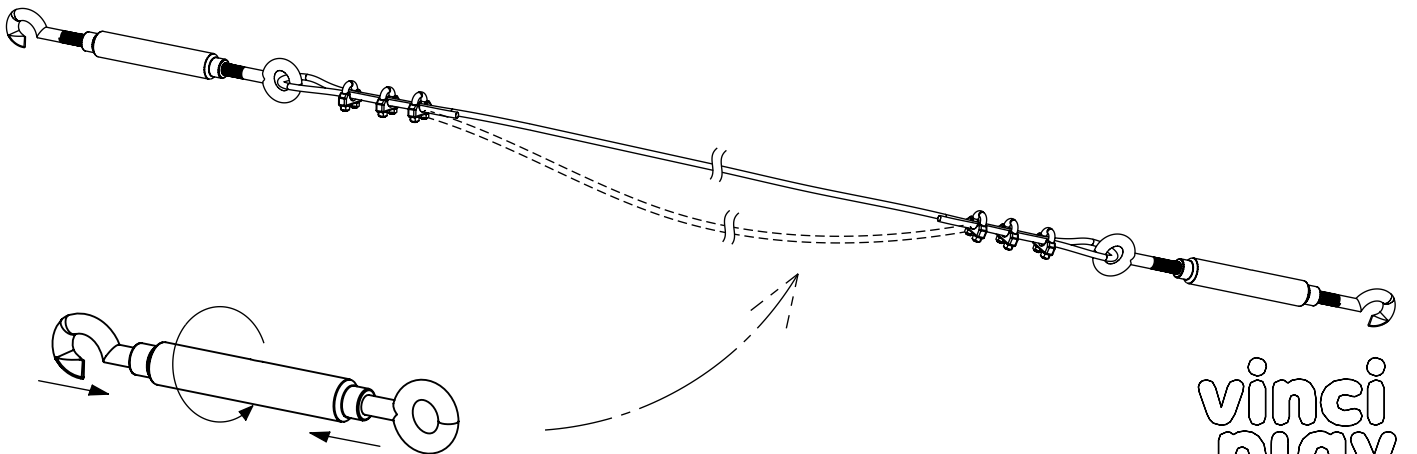
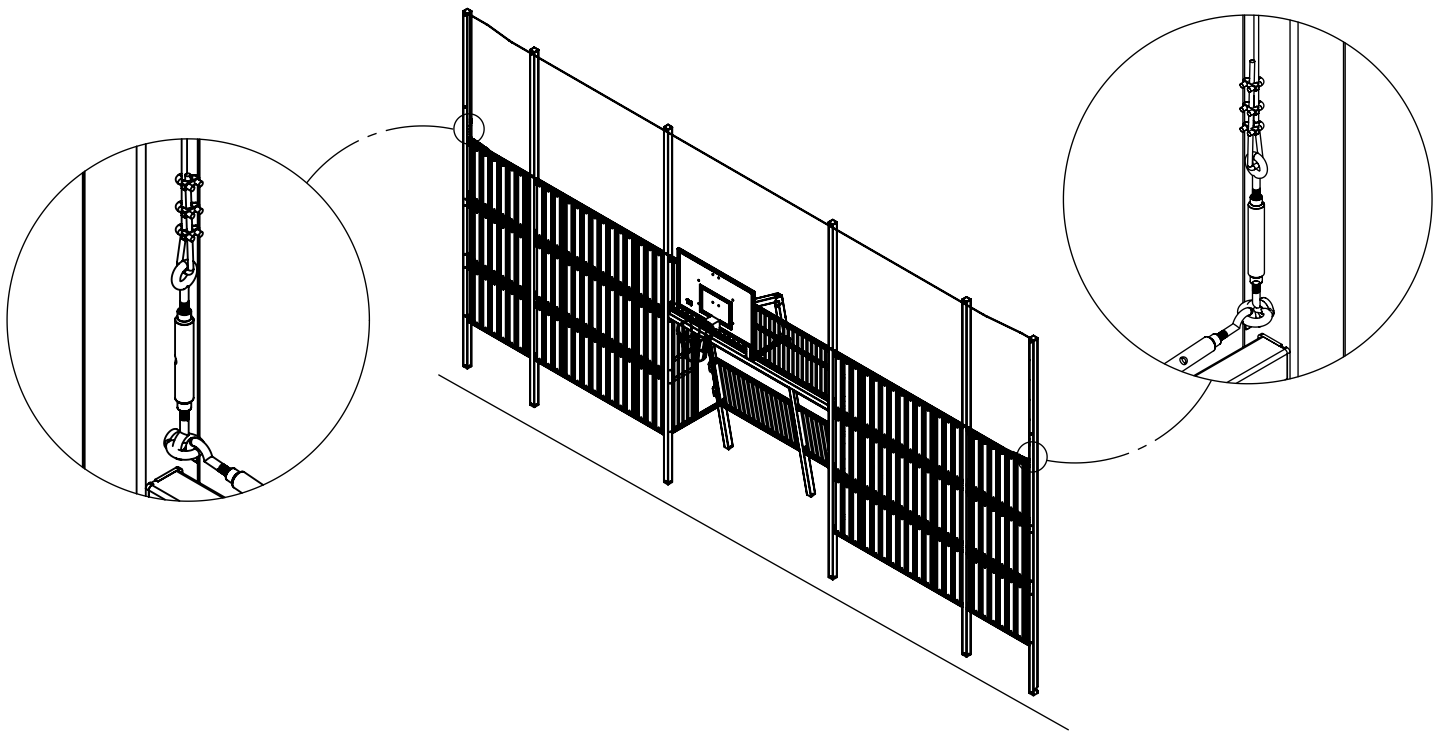
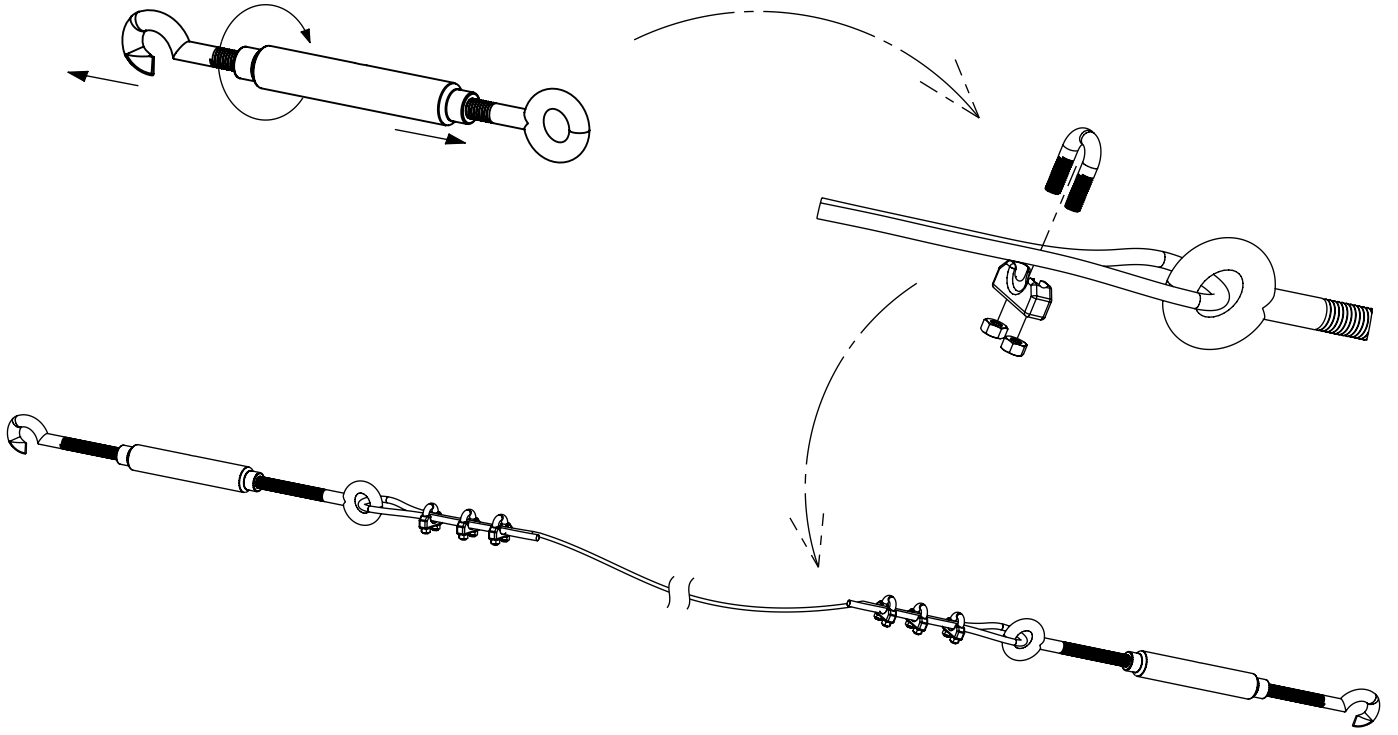
vinci
play



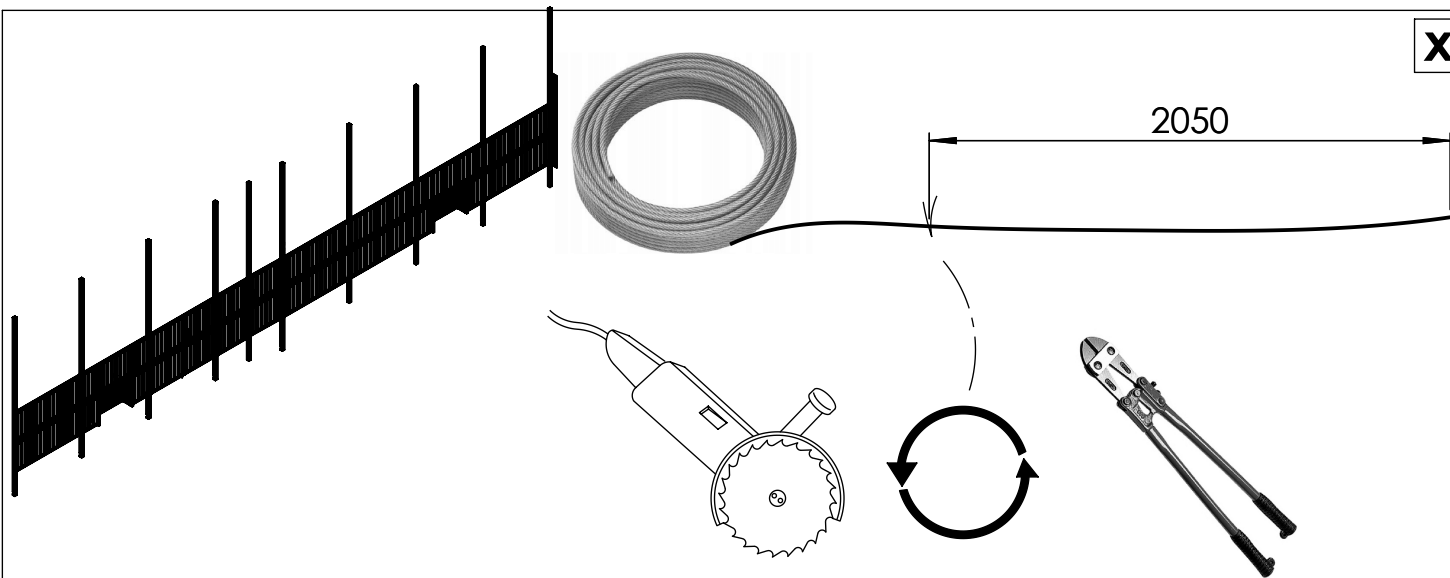
!!!

[cm]

vinci
play

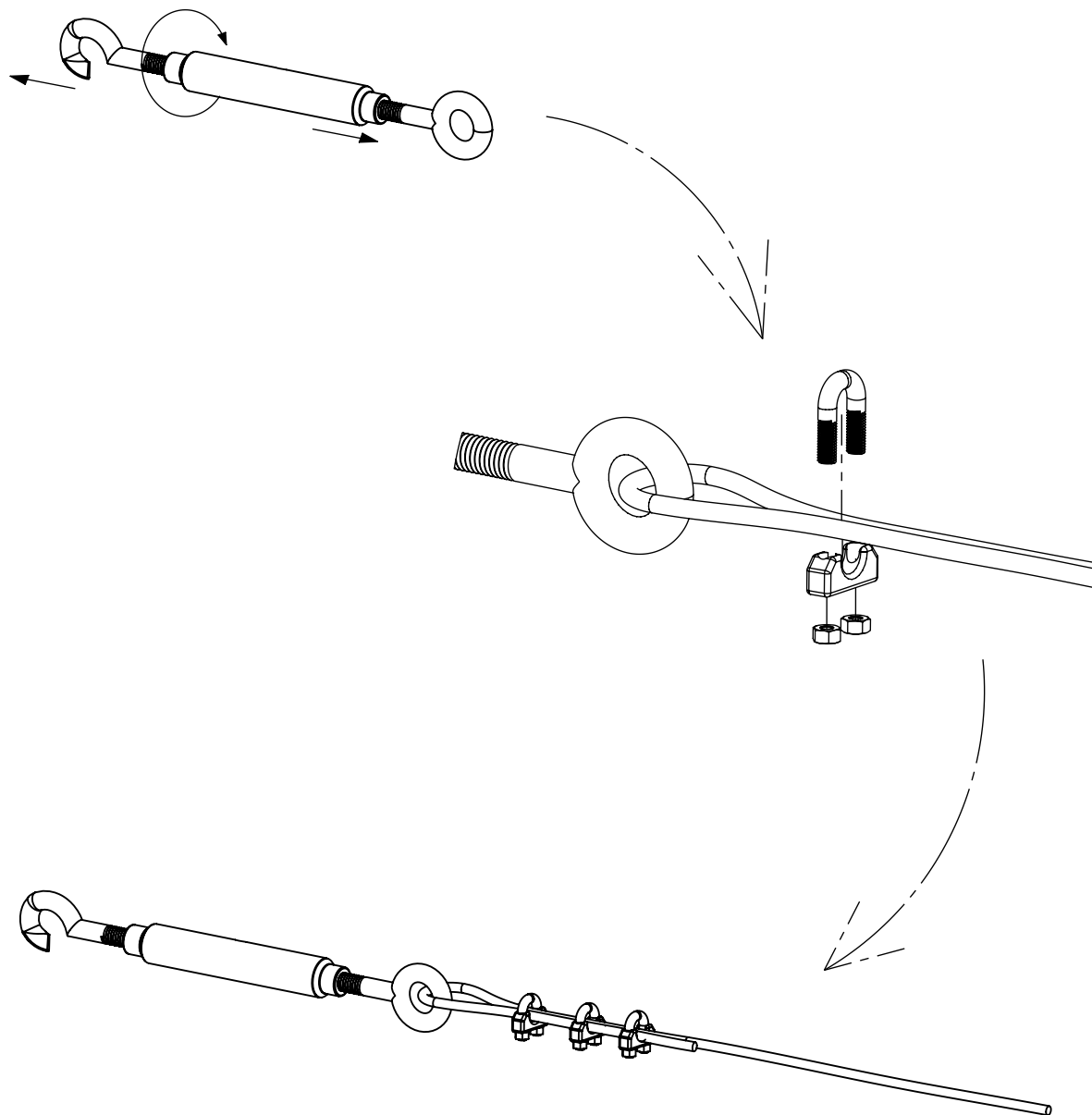


x2



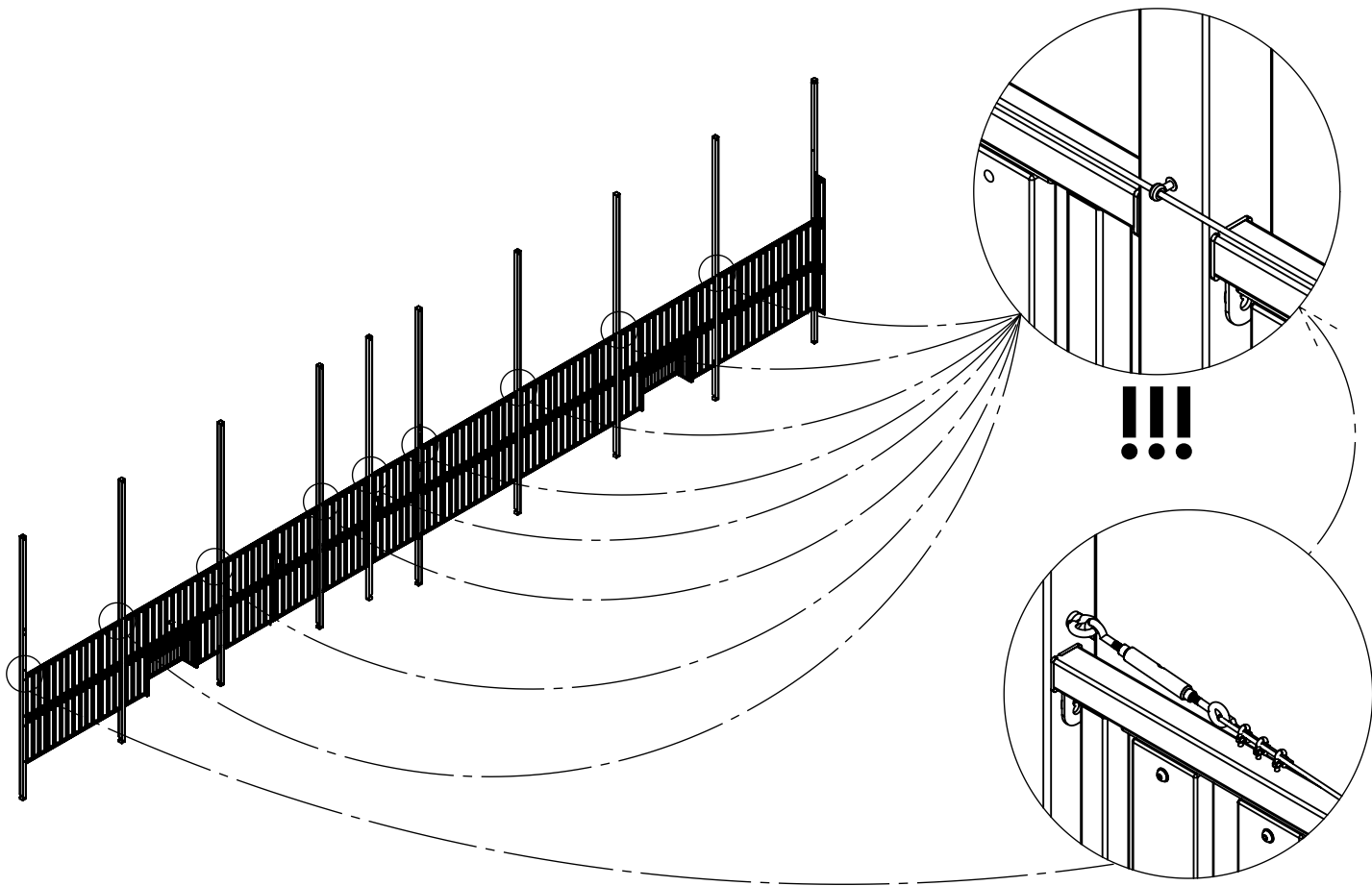
24e035

24e036



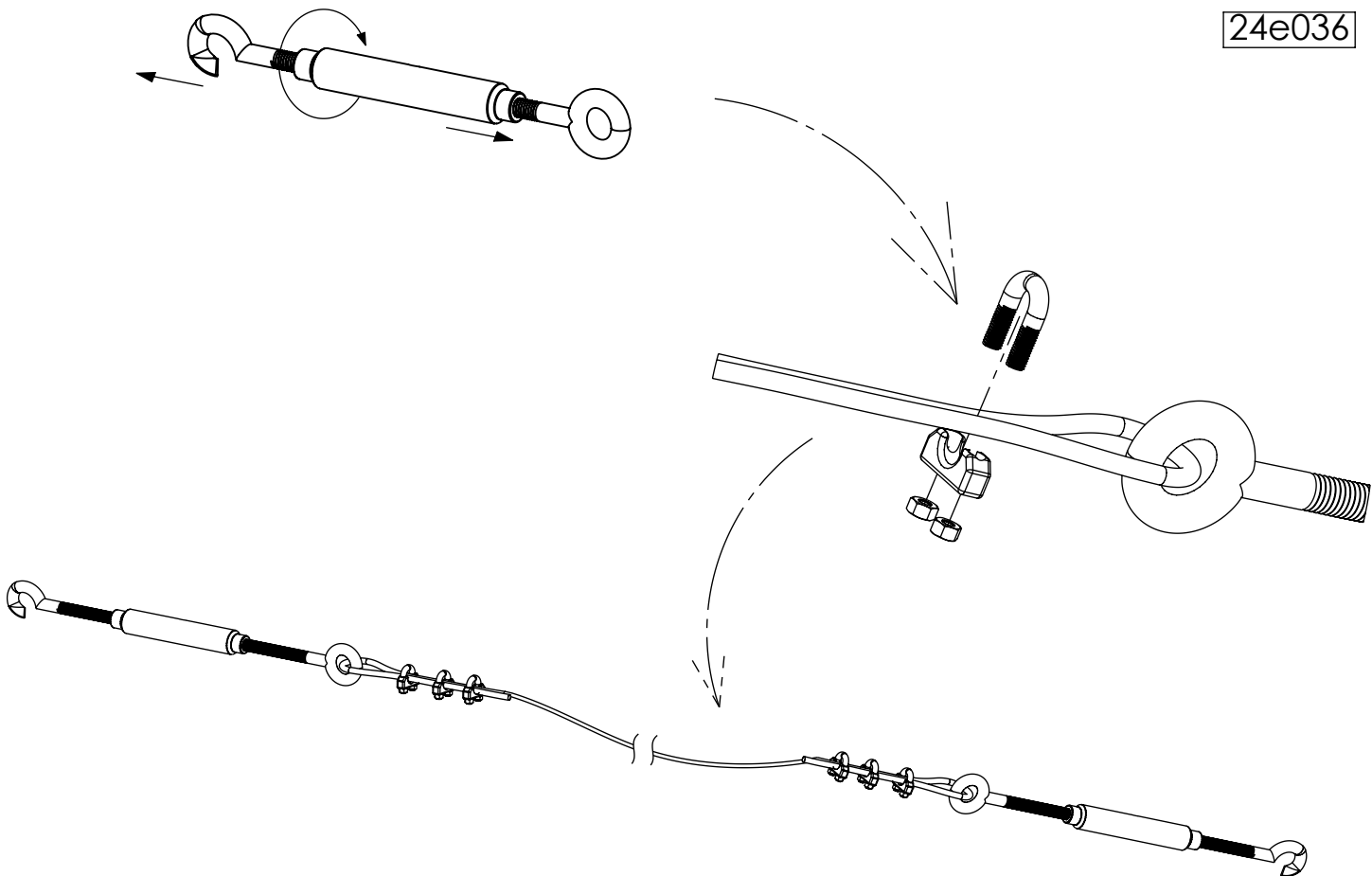
[cm]

vinci
play



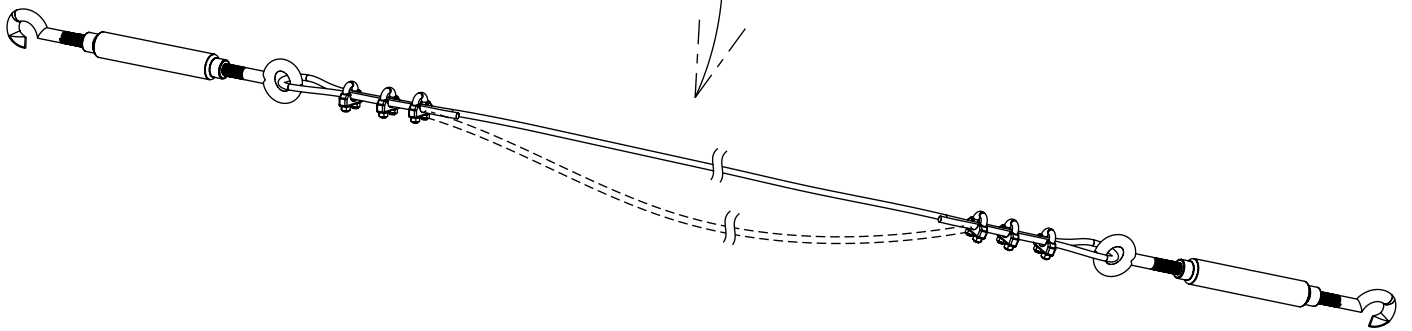
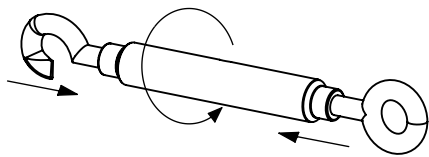
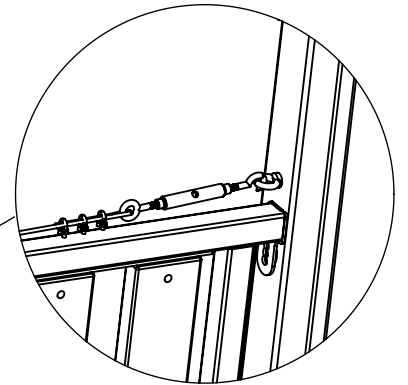
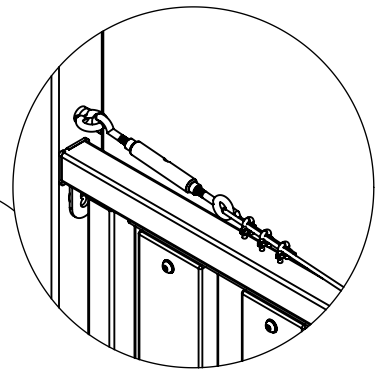
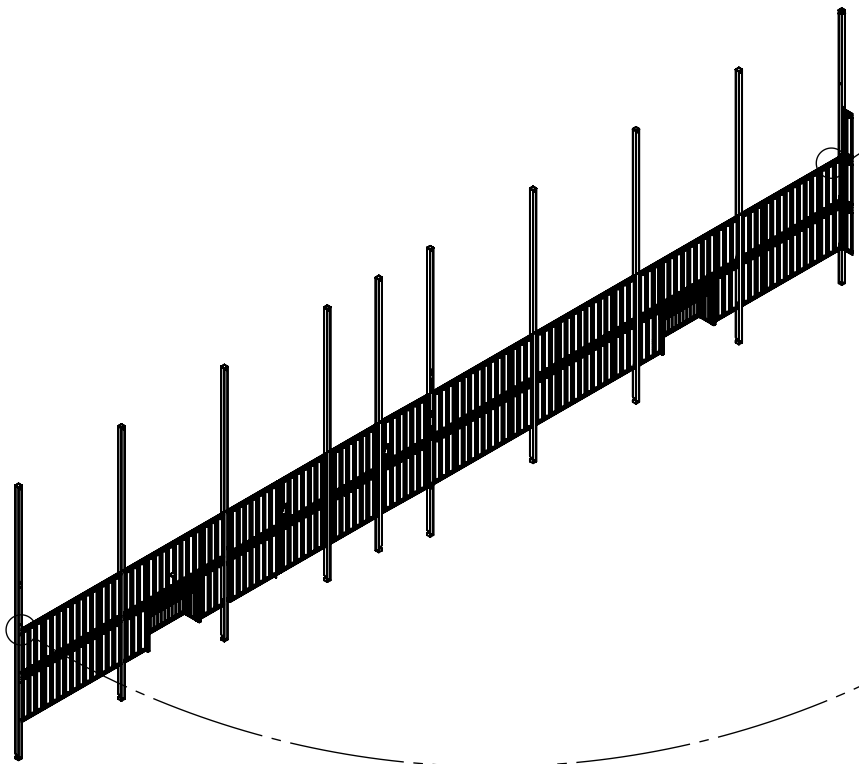
24e035

24e036



vinci
play

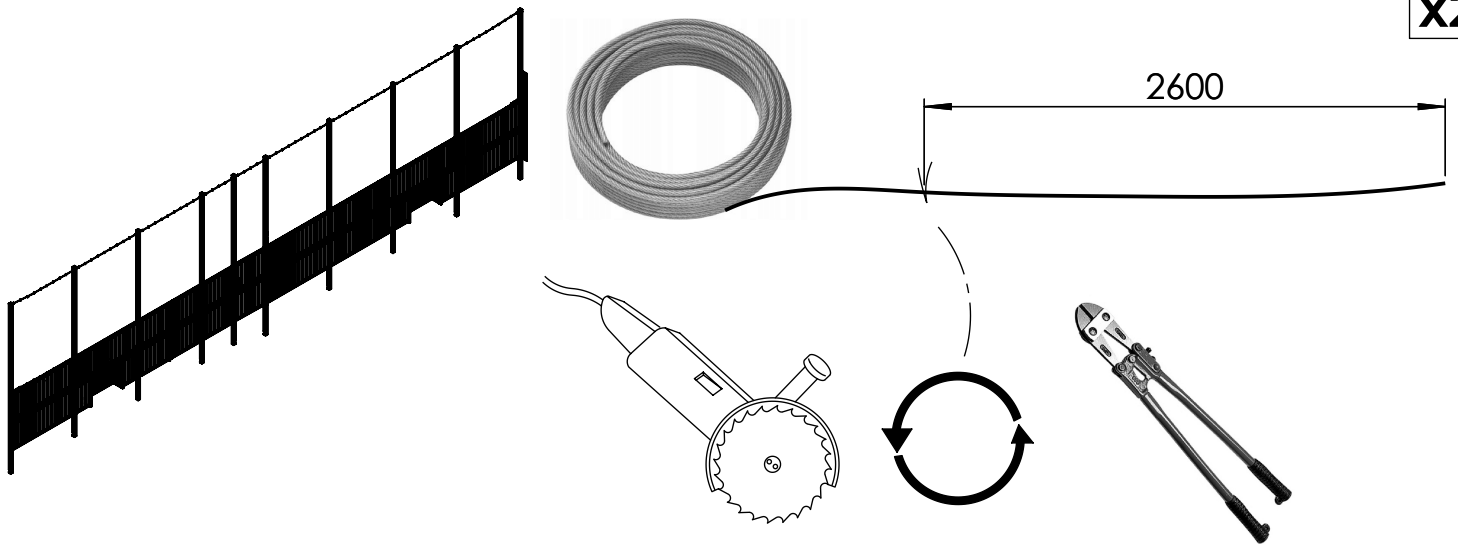
[cm]



[cm]

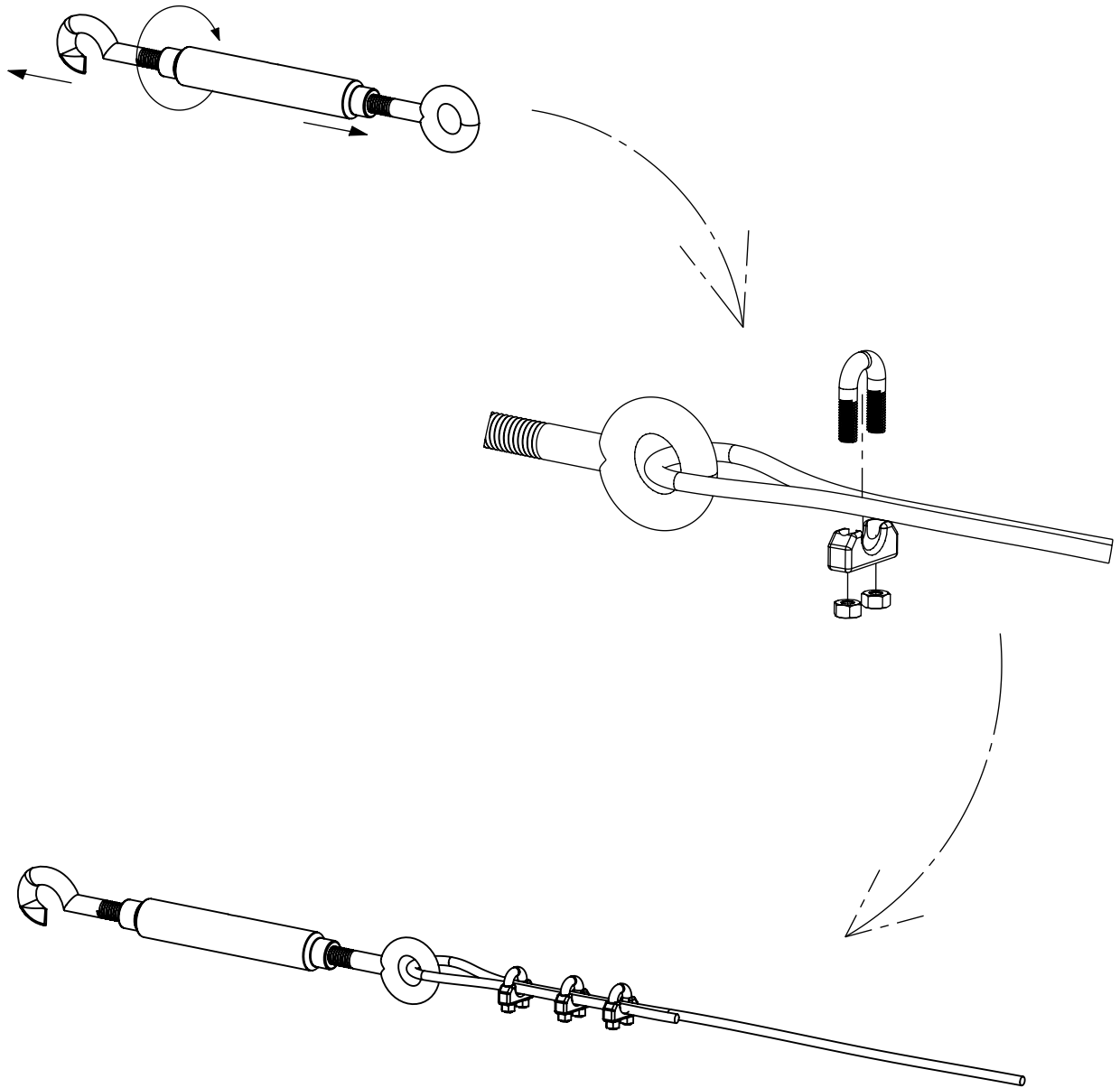
vinci
play

x2



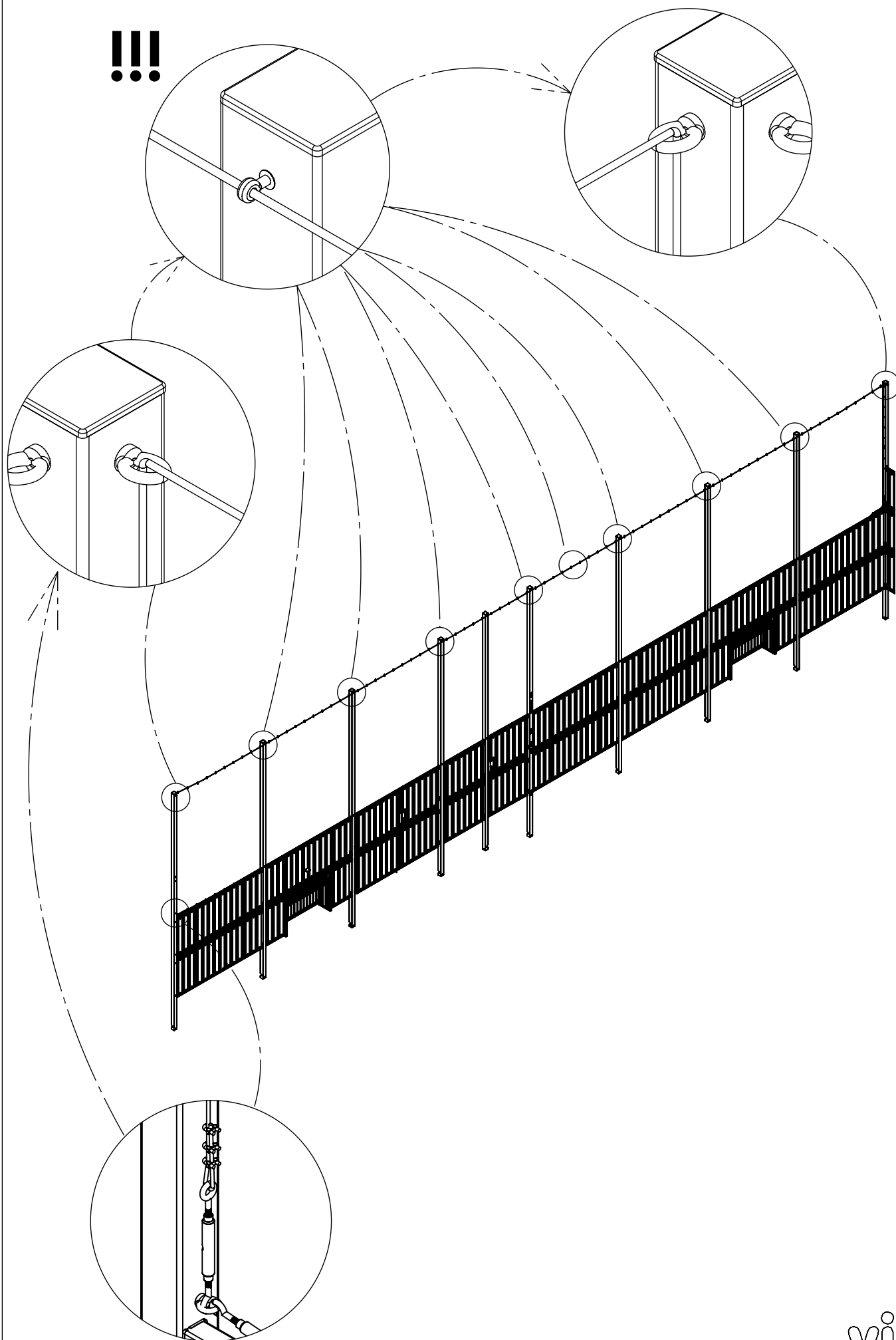
24e035

24e036



[cm]

vinci
play

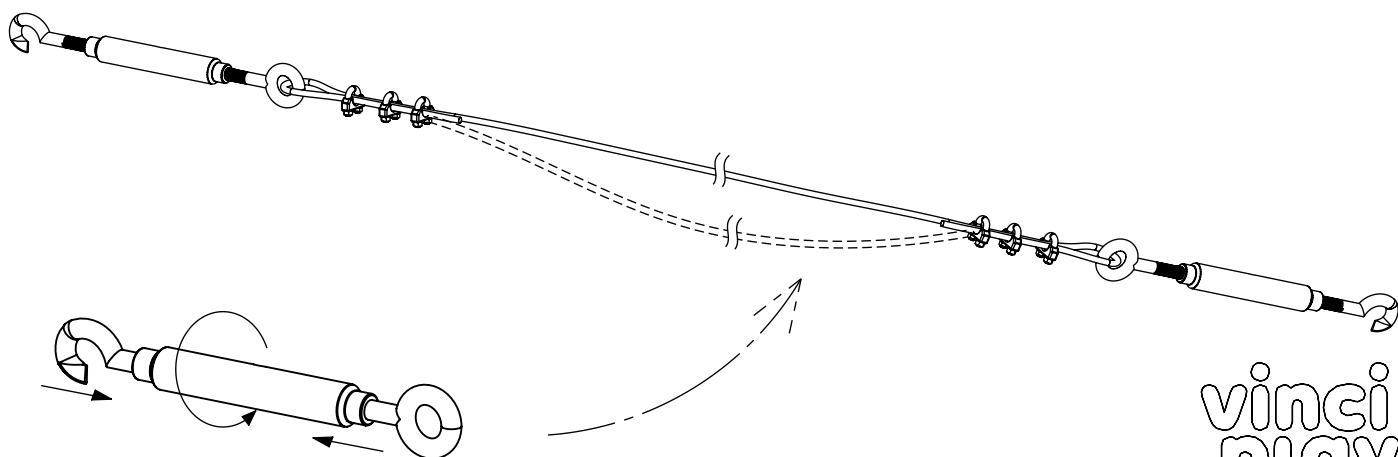
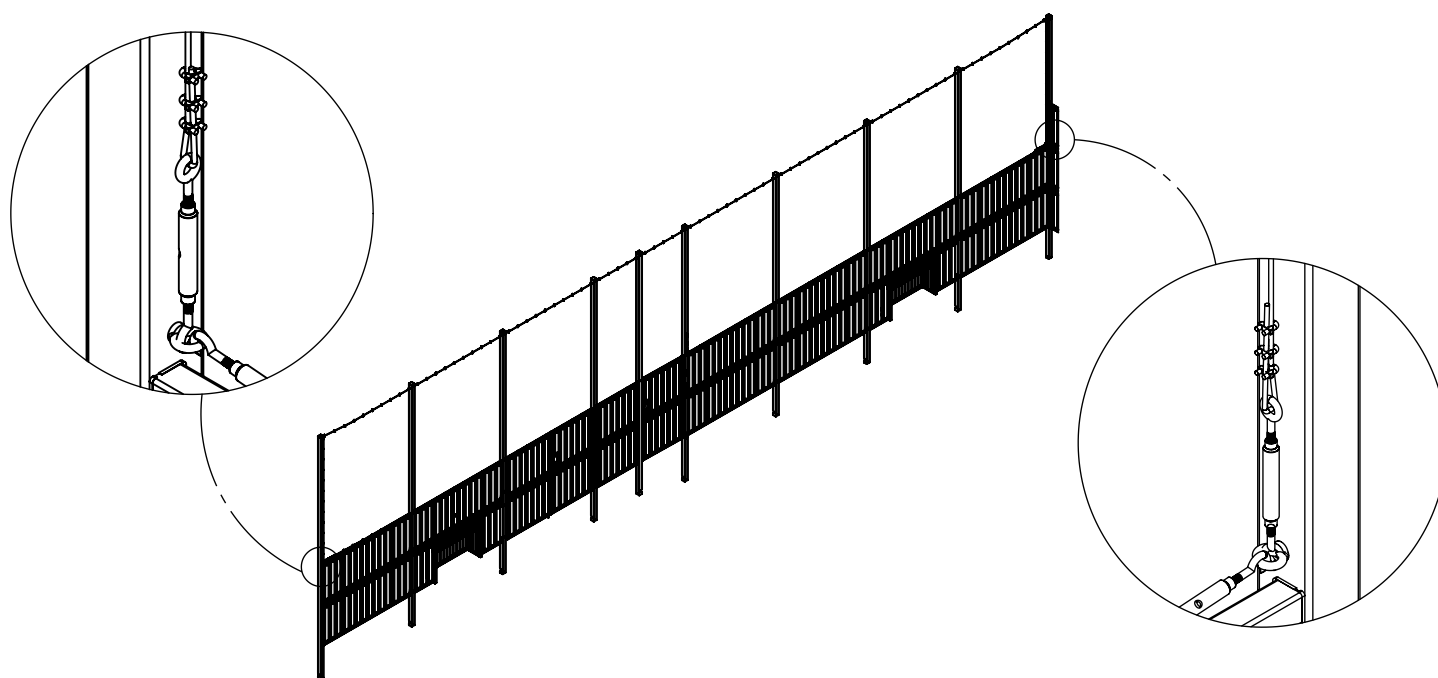
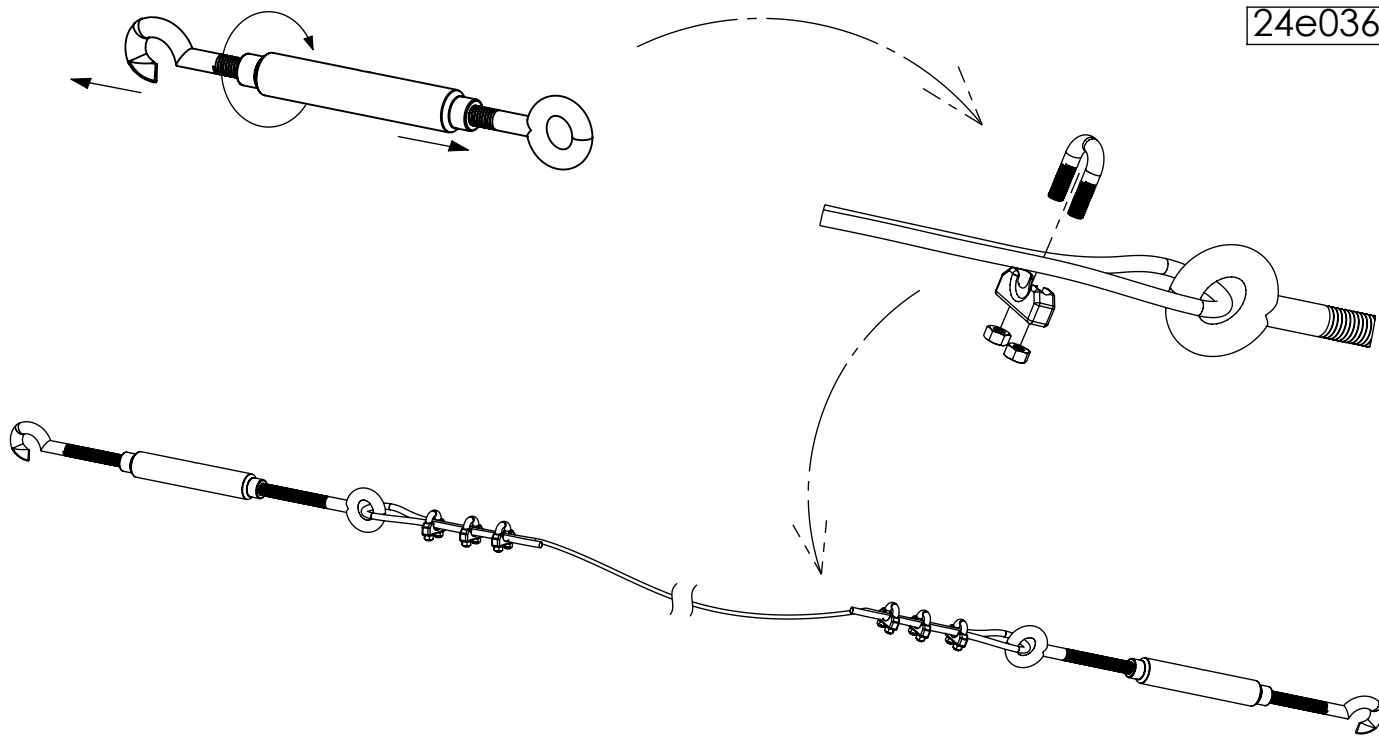


[cm]

vinci
play

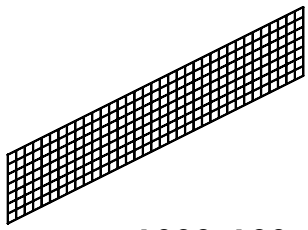
24e035

24e036

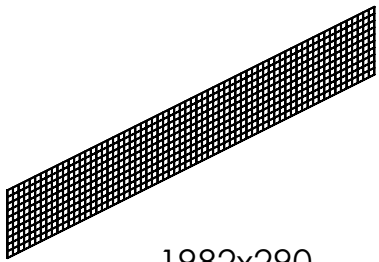


[cm]

vinci
play



1039x190

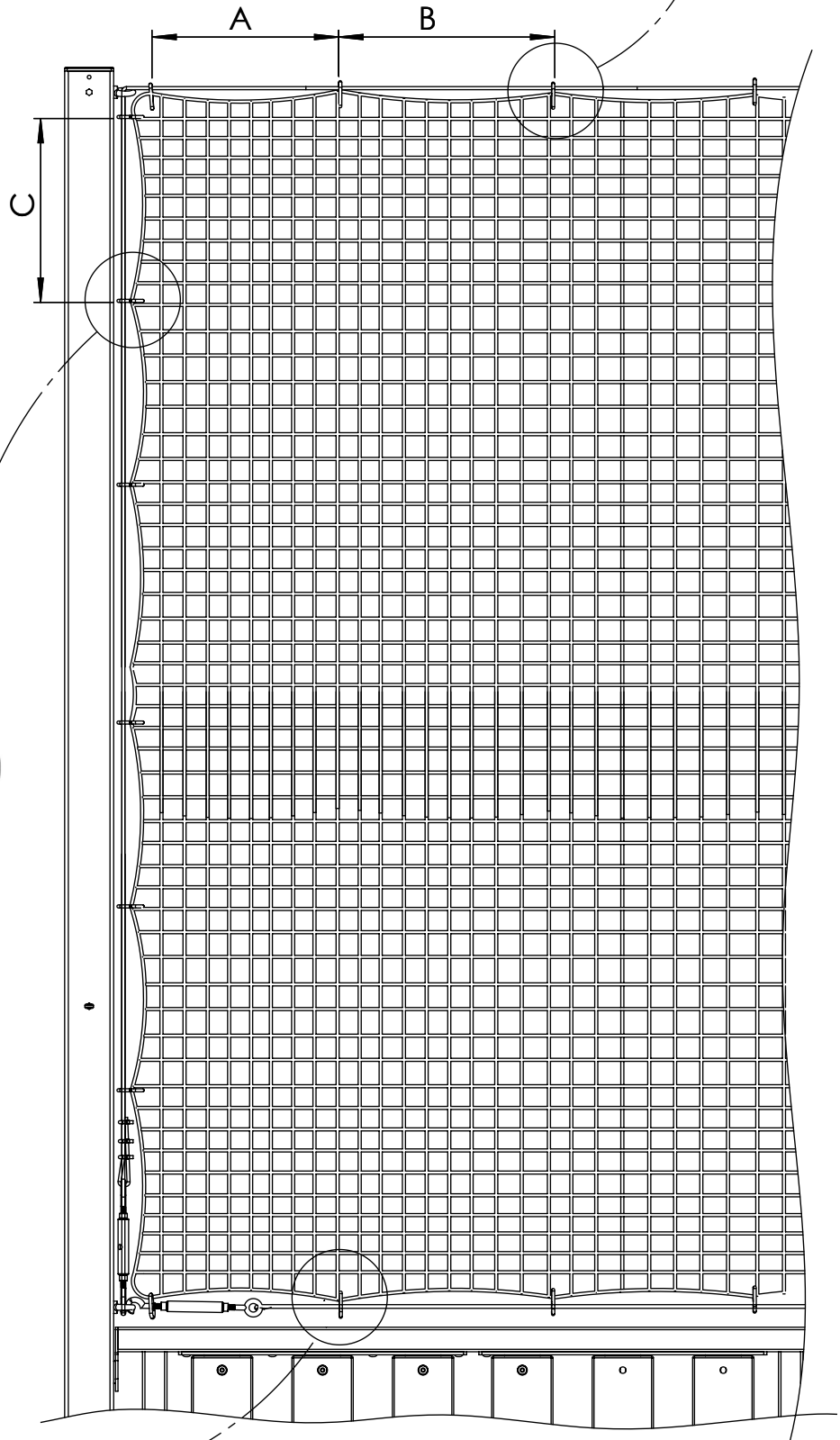


1982x290

A=B=C=25 cm



996511



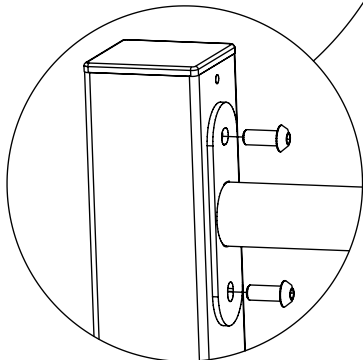
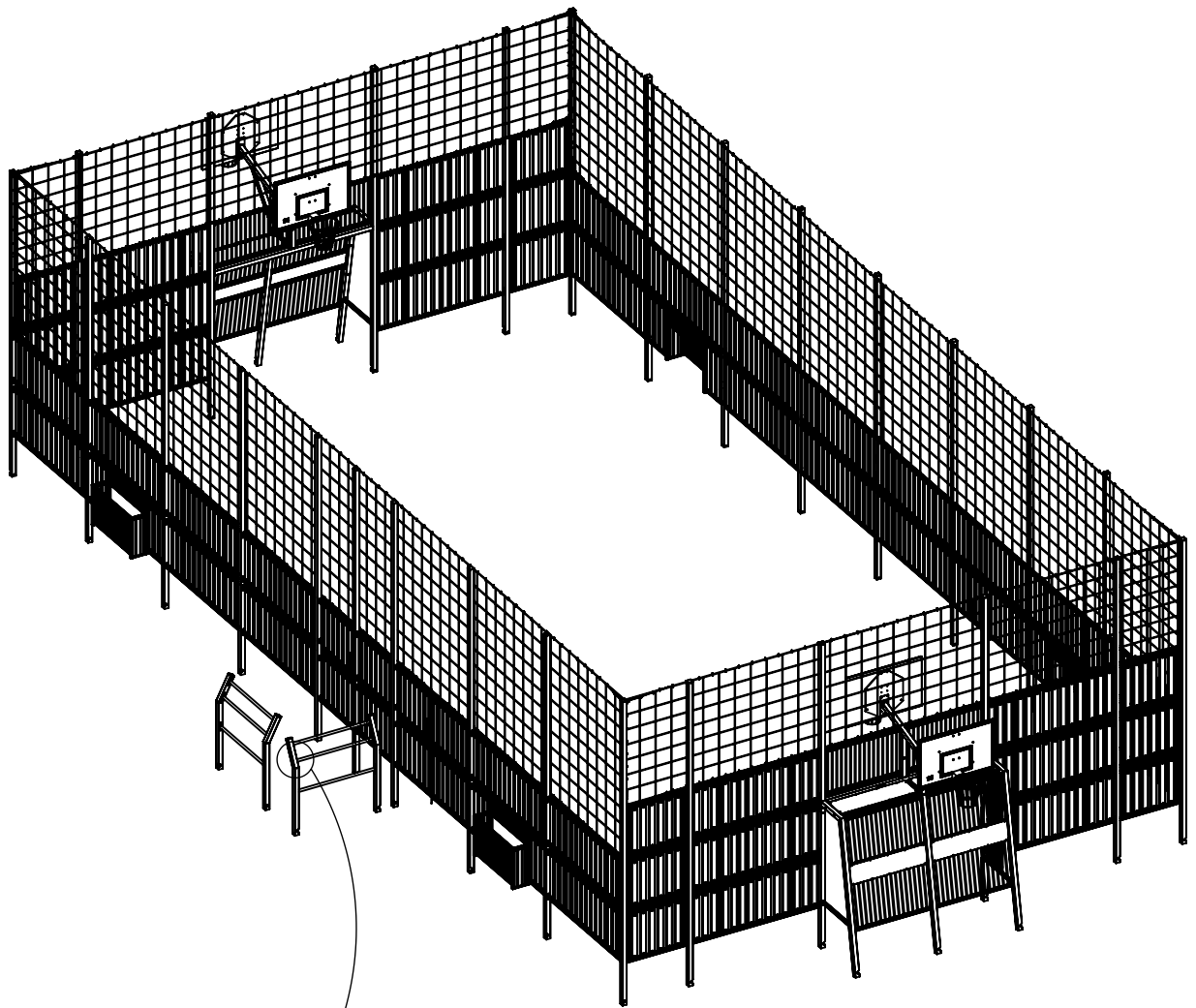
996511



996483

[cm]

vinci
play

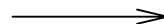


24x 10x25iKl

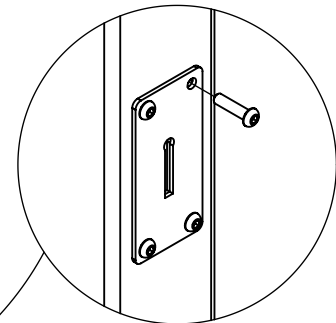
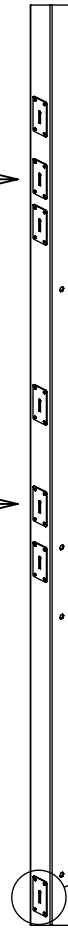
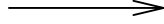
[cm]

vinci
play

243 cm

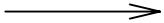


224 cm

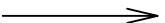


1x 24e046

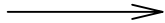
210 cm



155 cm

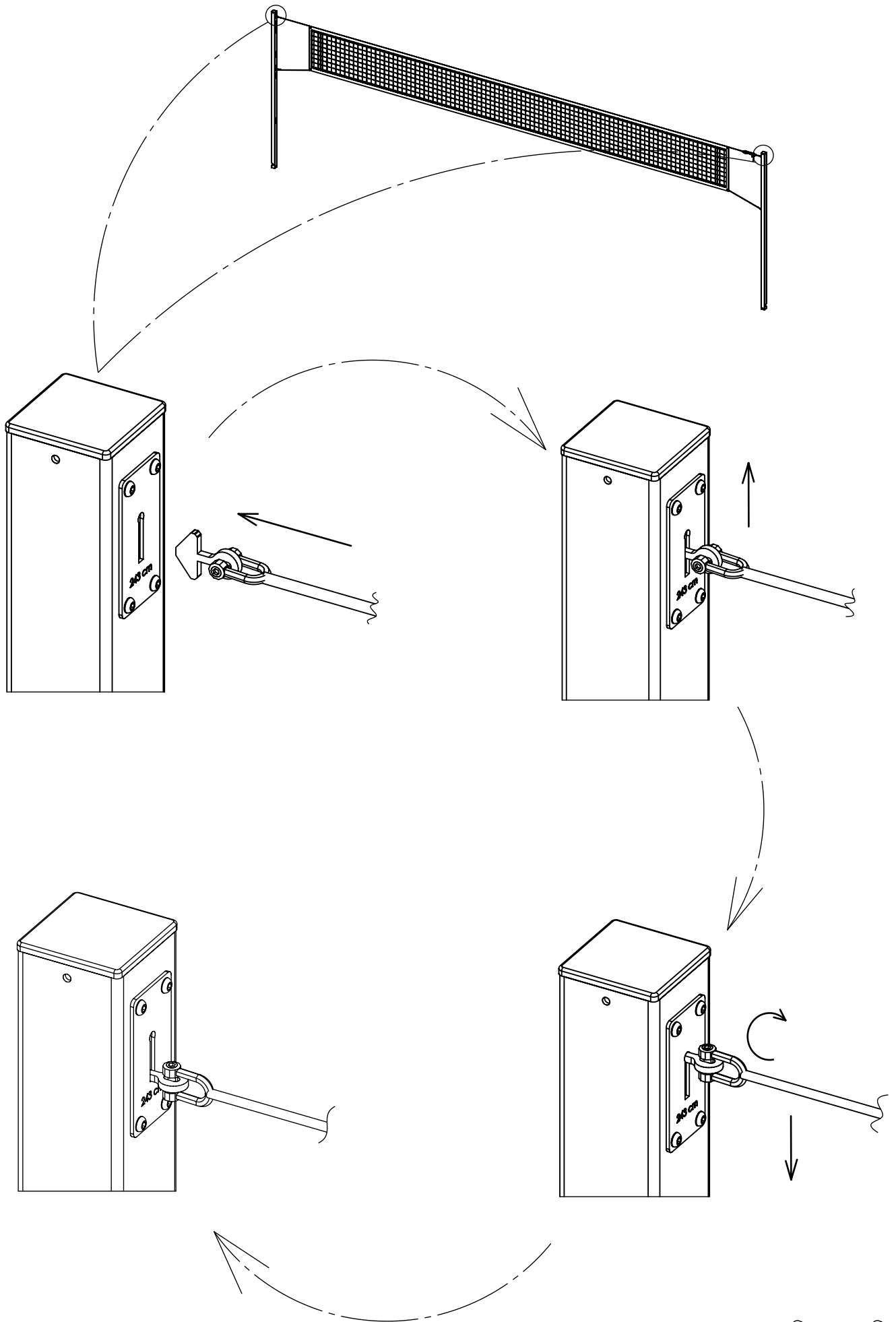


107 cm



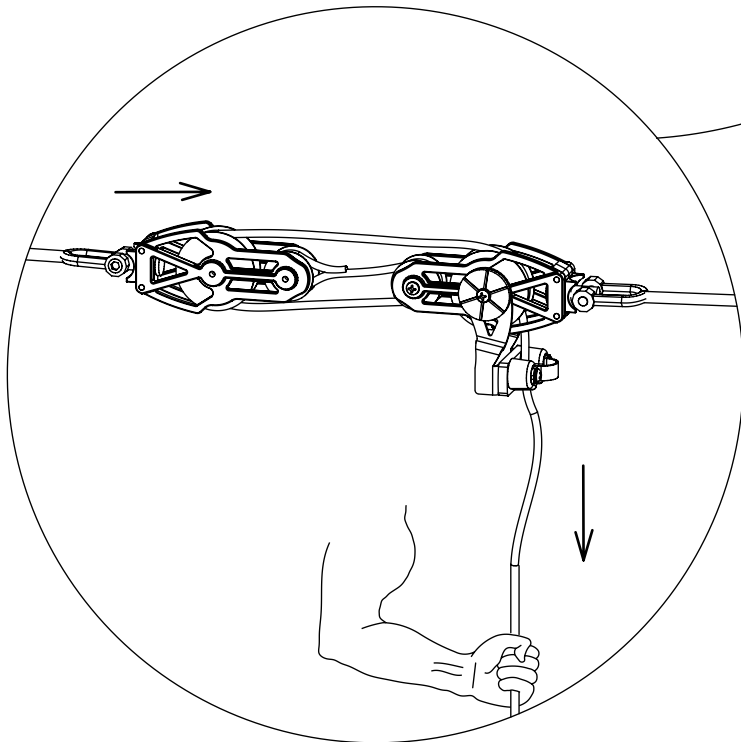
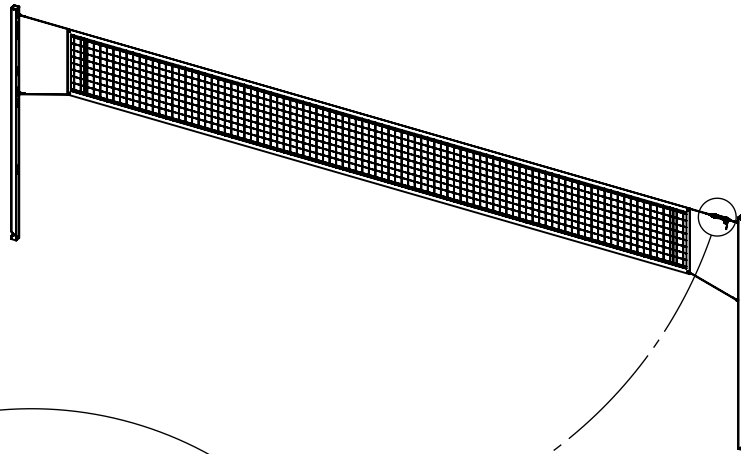
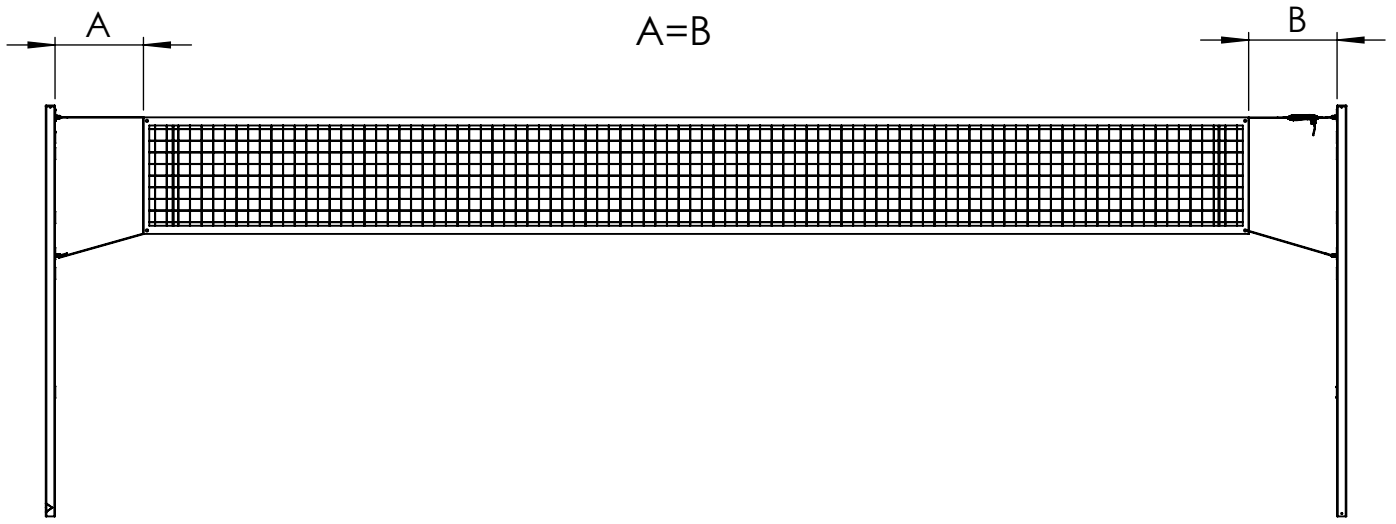
[cm]

vinci
play



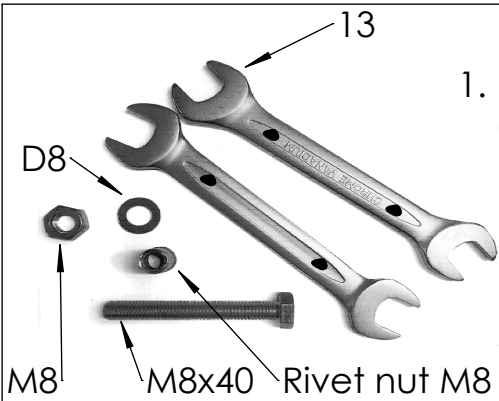
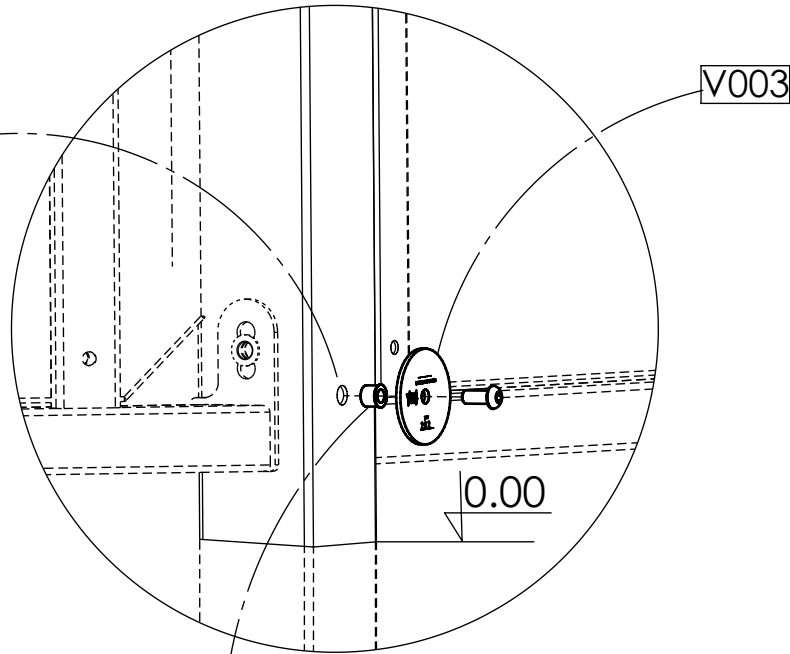
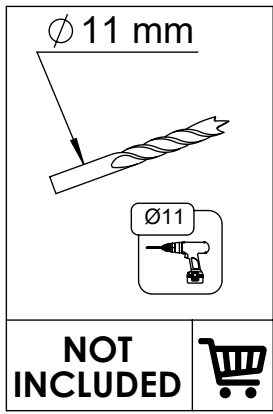
[cm]

vinci
play



[cm]

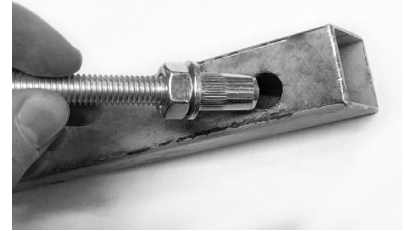
vinci
play



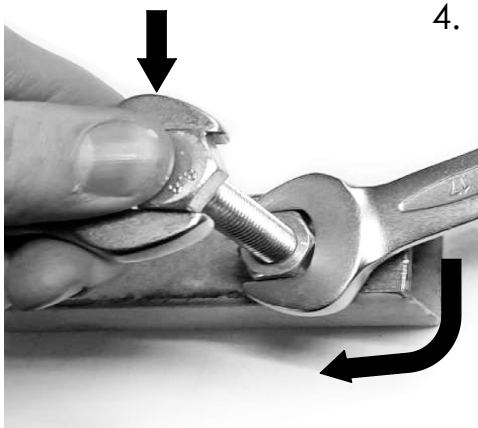
1.



2.



3.



4.



5.

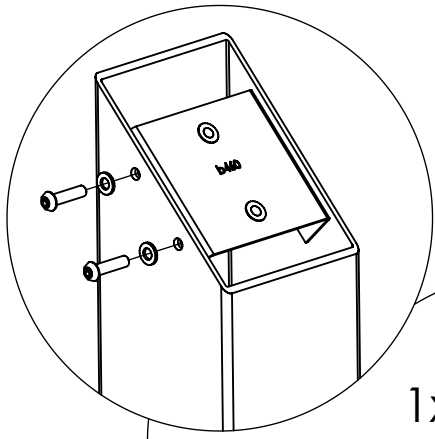


6.

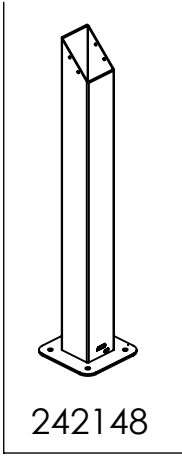
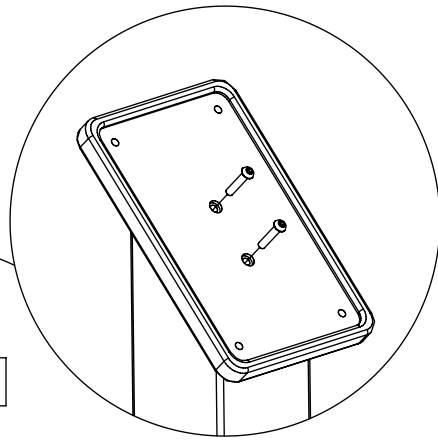
Keep the head of the screw still (it can not rotate!)
 - then by using short wrench - rotate/screw only the bottom part of solution - the nur. Attention!
 - do not put much power for this operation (otherwise the rivet nut will be damaged!).
 The difference between screw head and the nut should change from 3mm to 8mm

After that unscrew screws

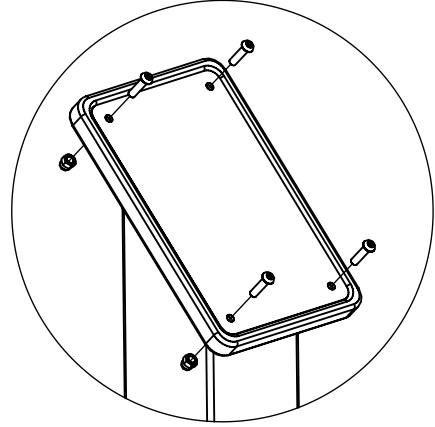
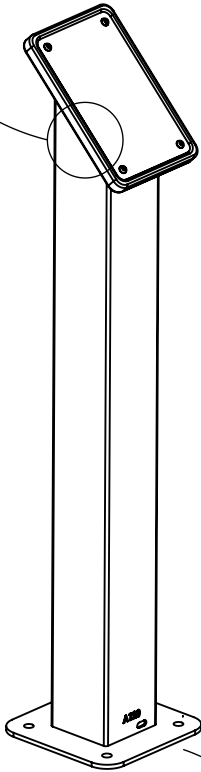
Final effect



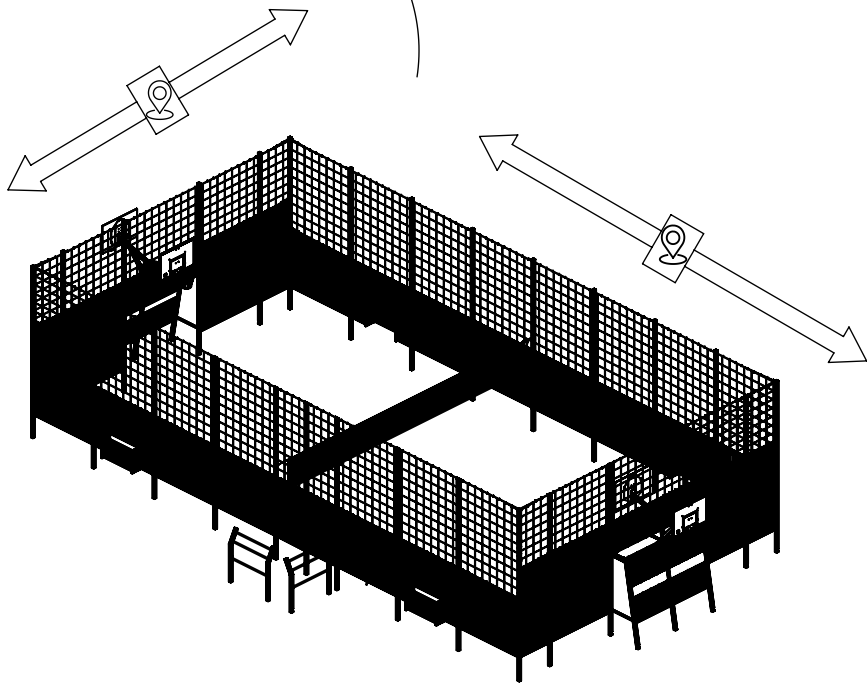
1x 24e006



242148



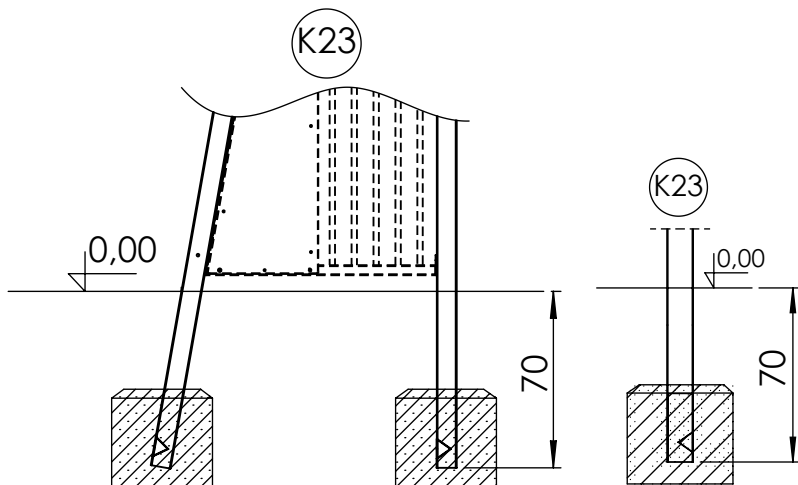
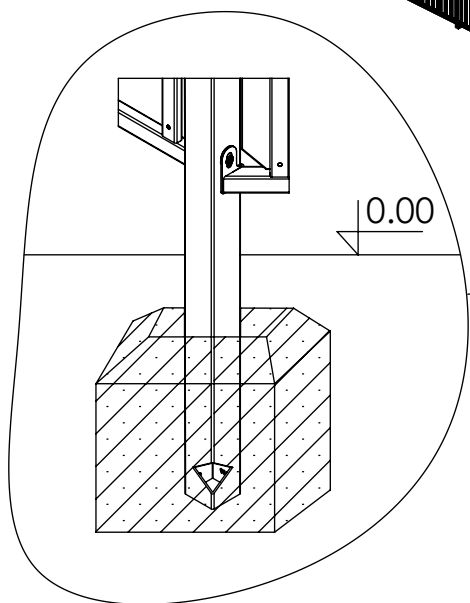
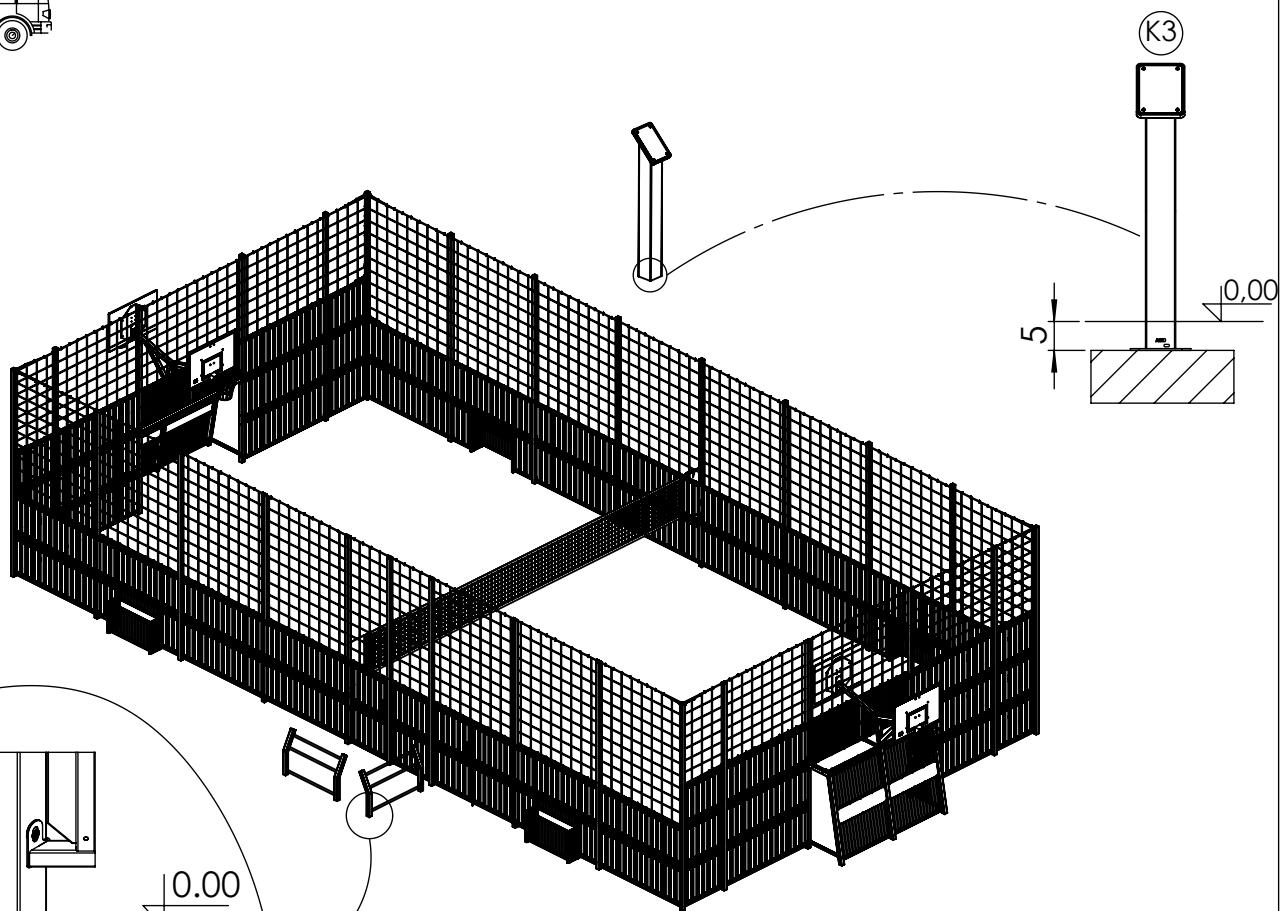
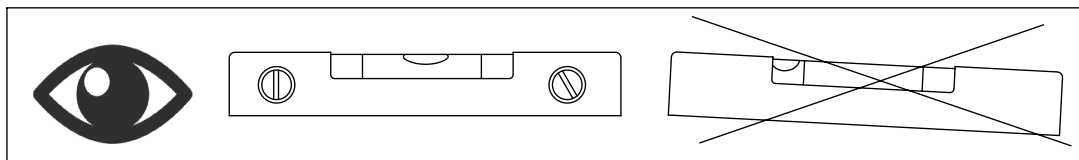
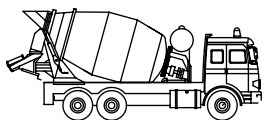
1x 24e005

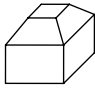


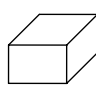
[cm]



vinci
play

48h



K23

 x37
 >0,06m³

K3

 x1
 >0,09m³

Part No:
 000000-
 000000

 000000-000000


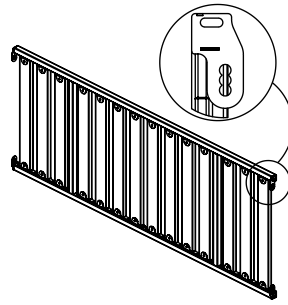
vinci play

[cm]

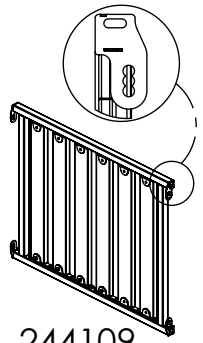
240102



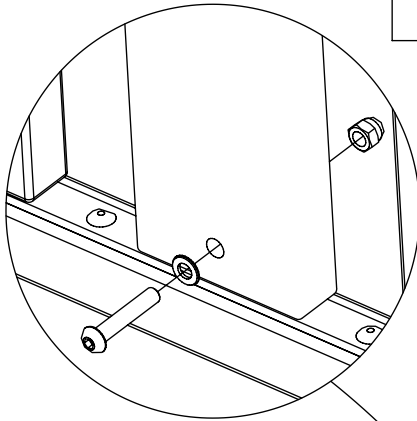
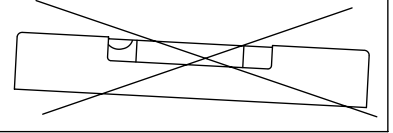
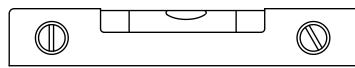
24e001,24e003,24e004



244105

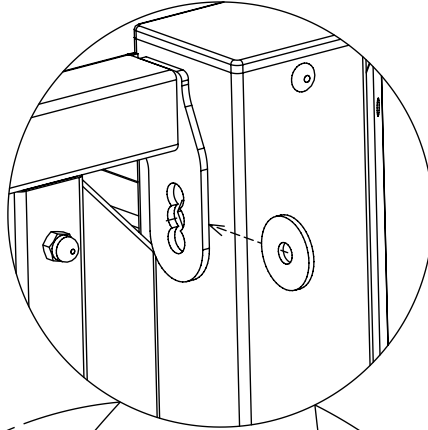


244109

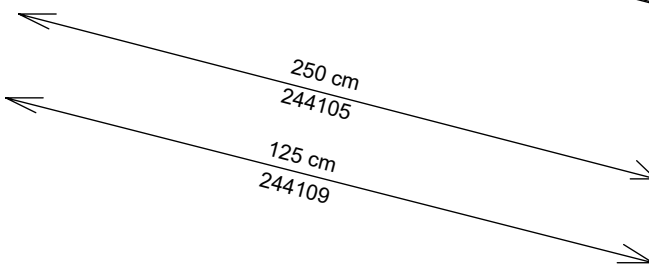
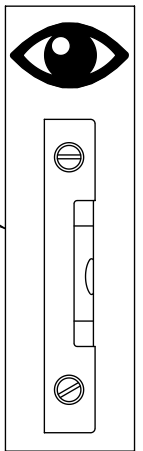
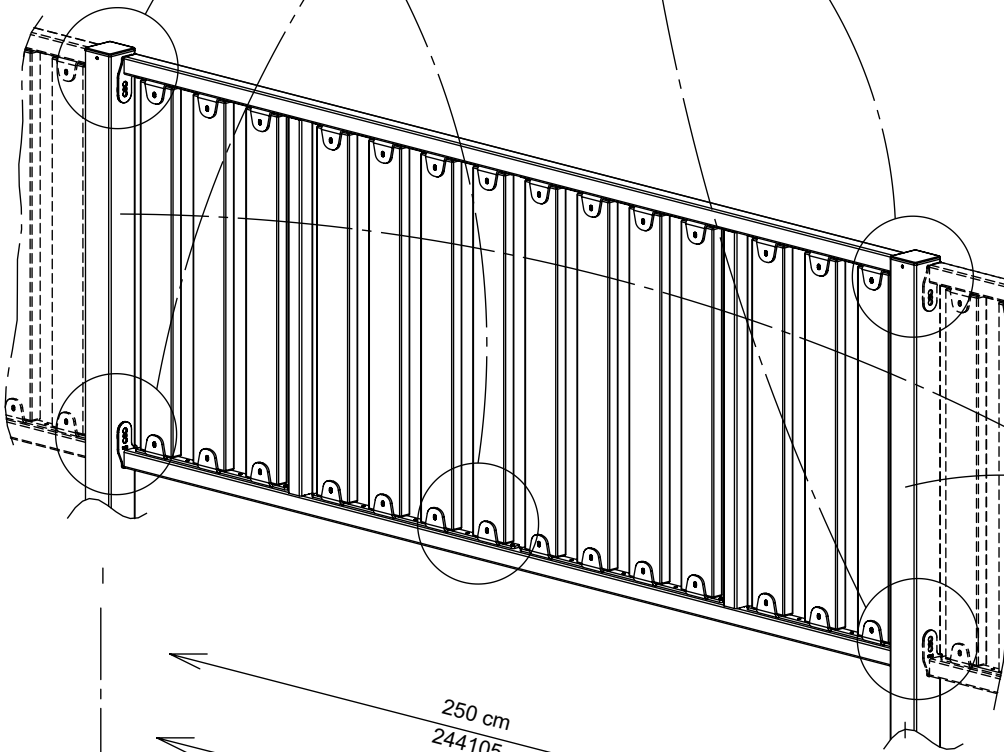
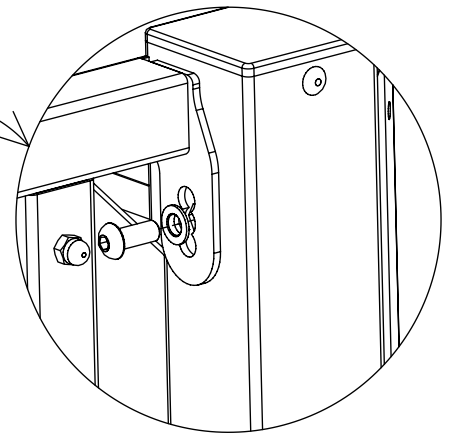


24e003

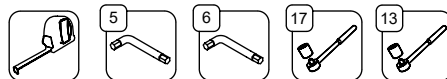
24e004



24e001



[cm]



vinci play

240107



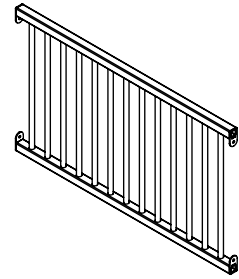
10pp



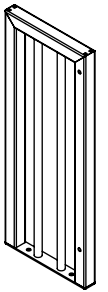
10x60ikl



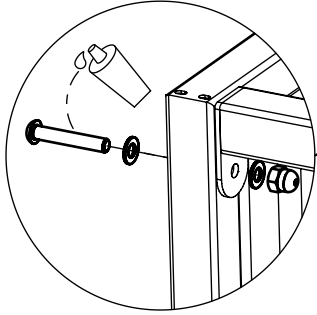
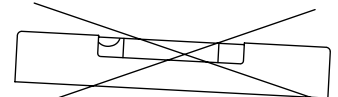
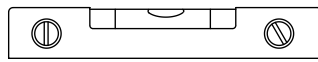
24e002, 24e001



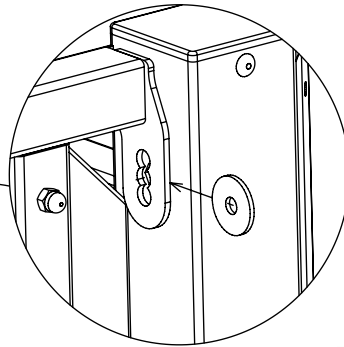
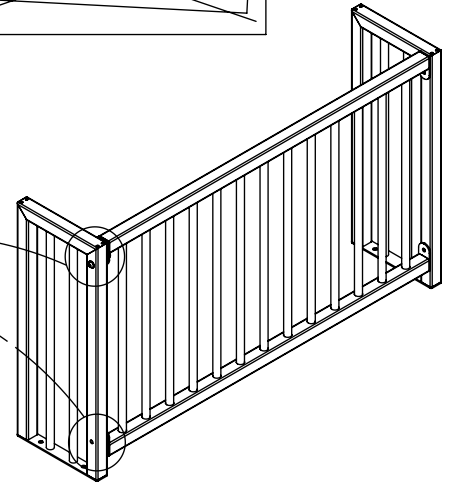
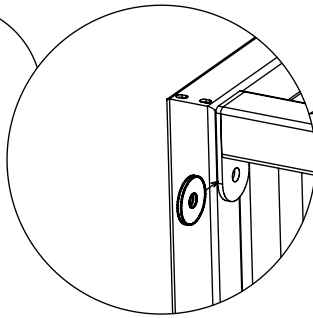
242106



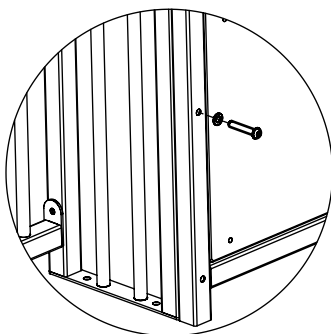
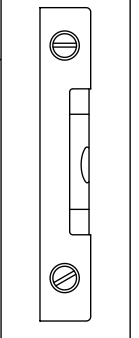
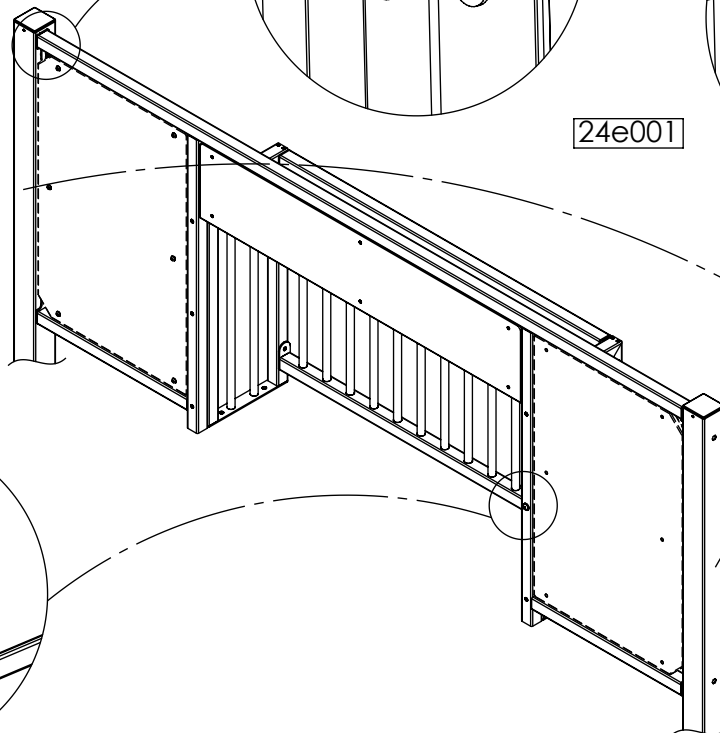
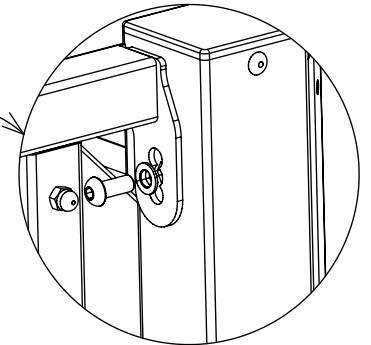
242105



2x 24e002



24e001



6x 10x60ikl

6x 10pp



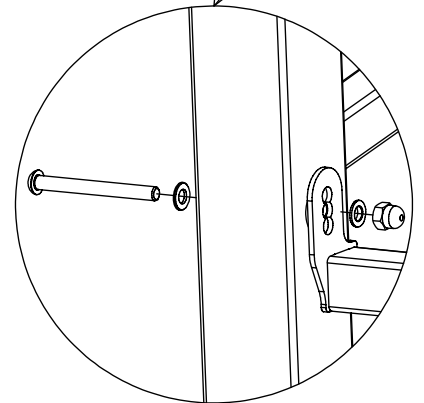
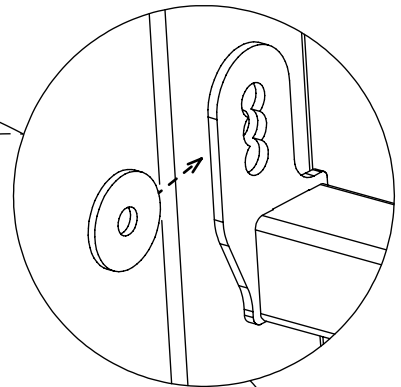
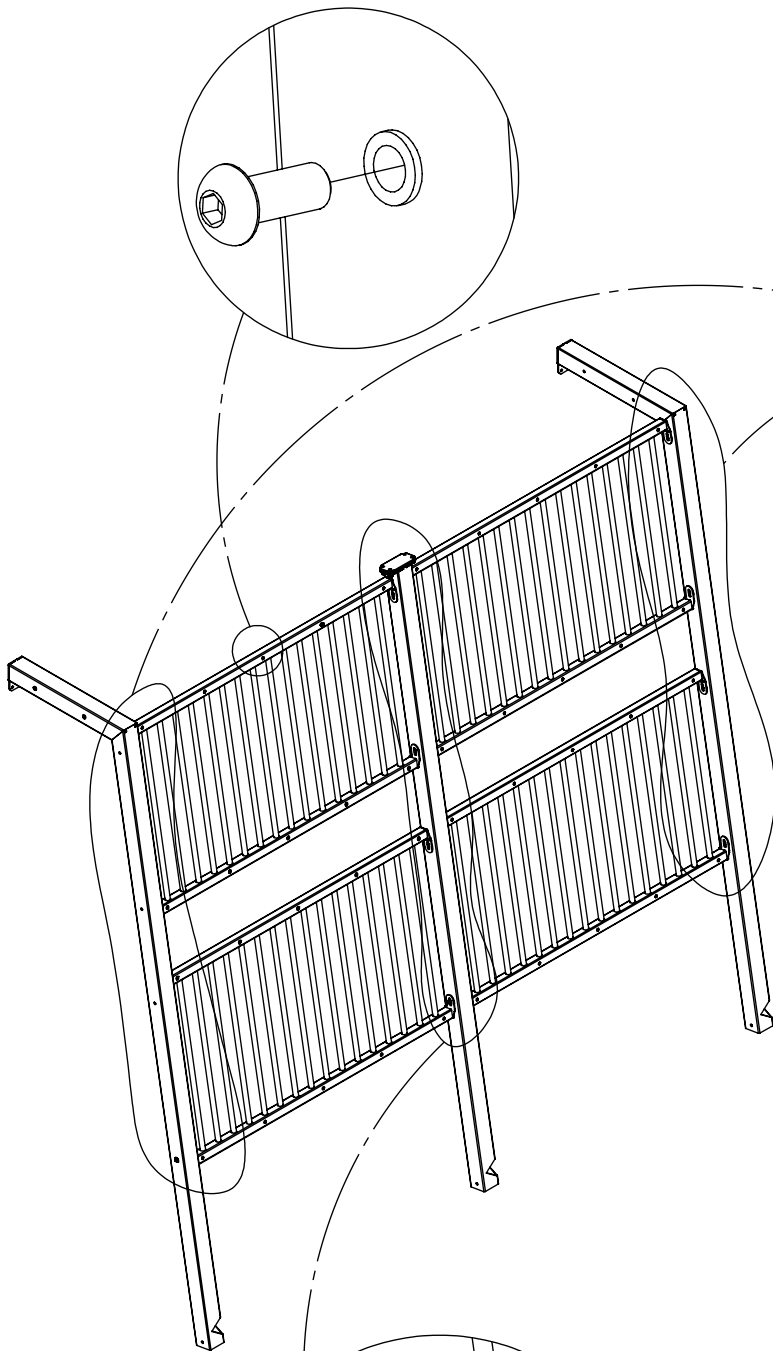
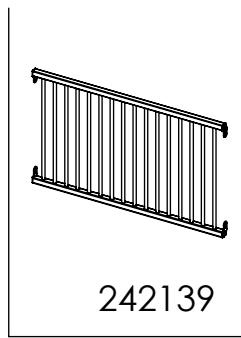
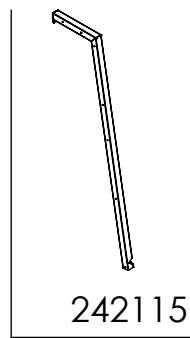
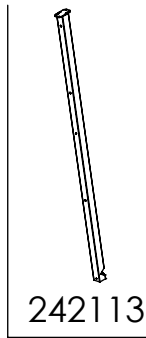
[cm]

vinci play

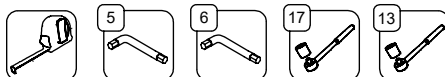
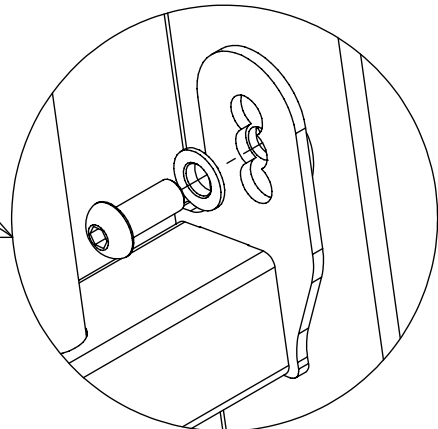
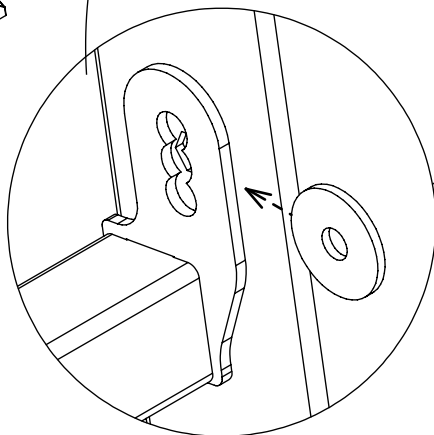
240111

20x **8x25ikl**

20x **8pp**

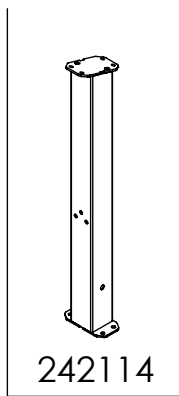


4x **24e007**

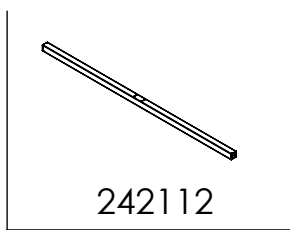


[cm]

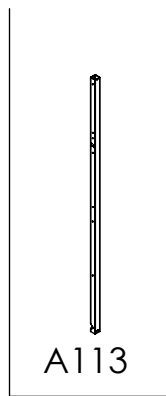
vinci
play



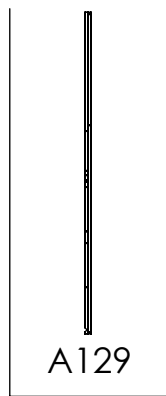
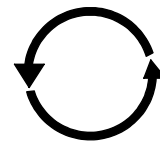
242114



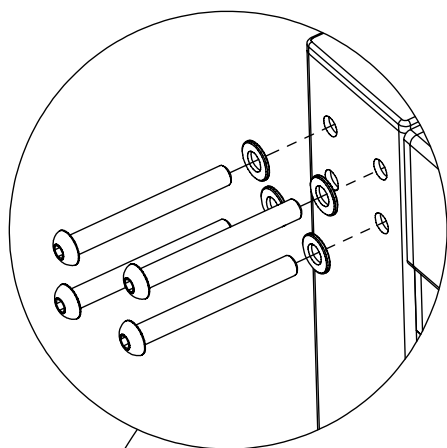
242112



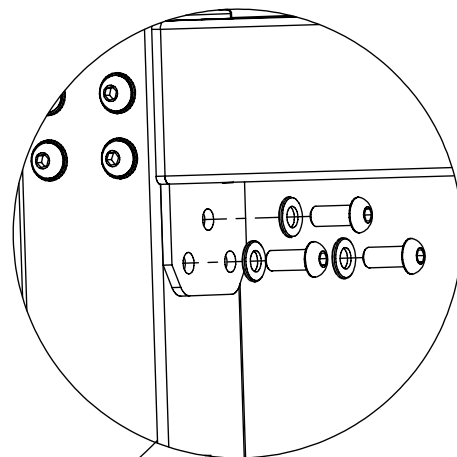
A113



A129

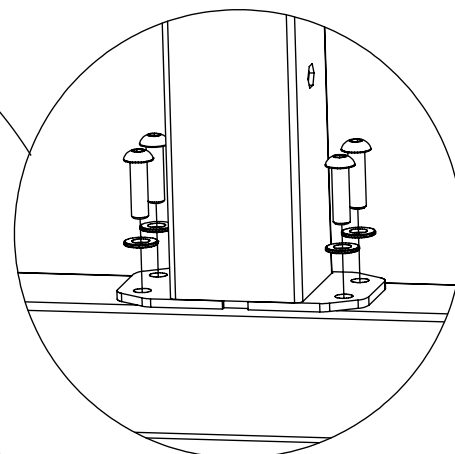
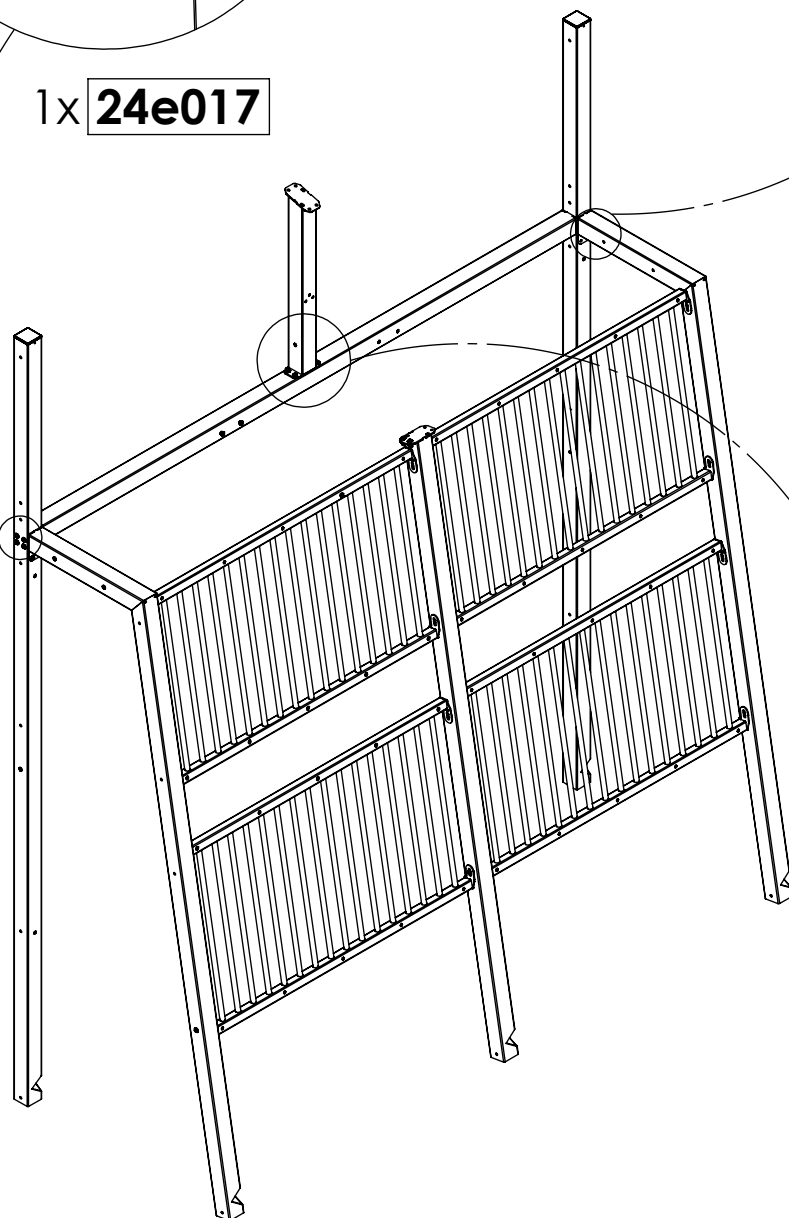


1x **24e017**



6x **10x25ikl**

6x **10pp**

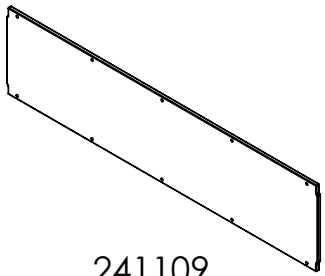


4x **10x25**

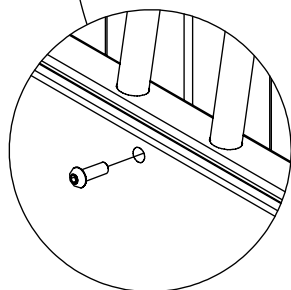
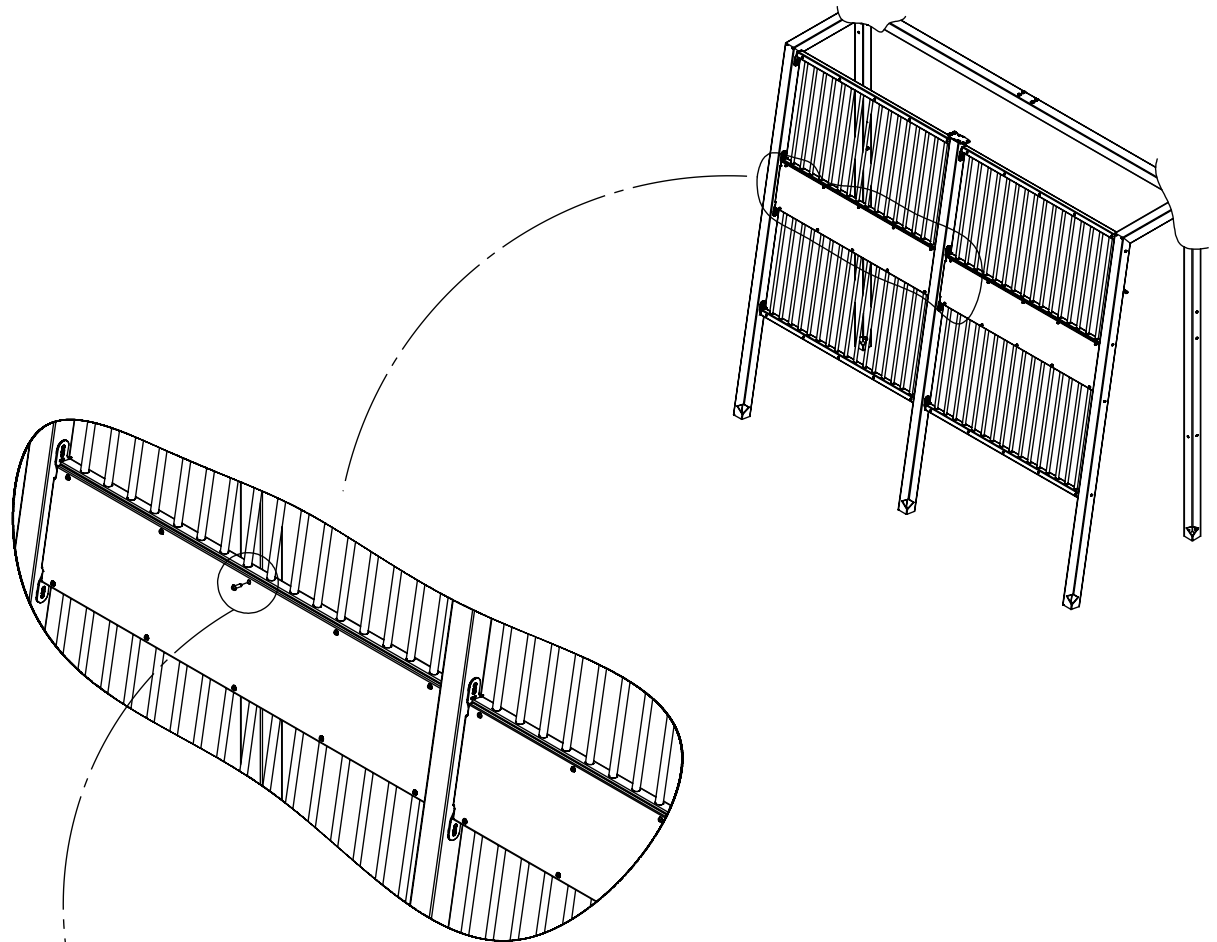
4x **10pp**

[cm]

vinci
play



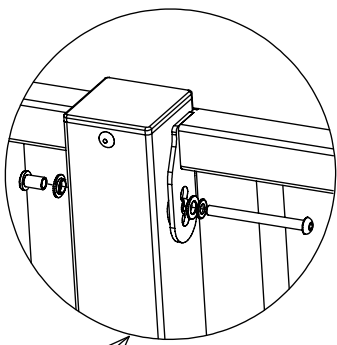
241109



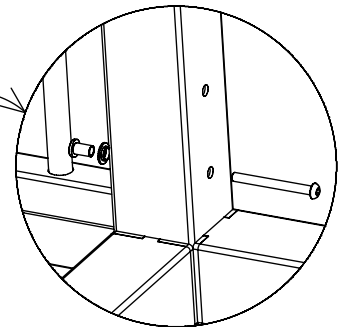
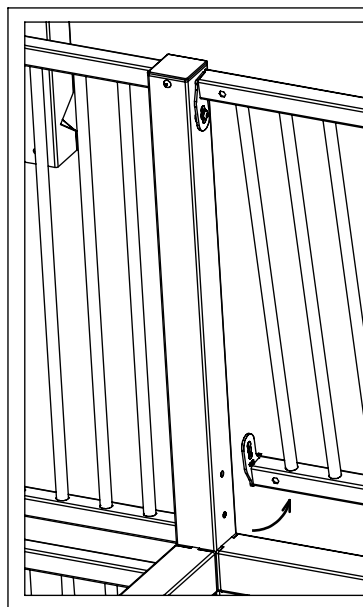
20x **8x30ikl**

[cm]

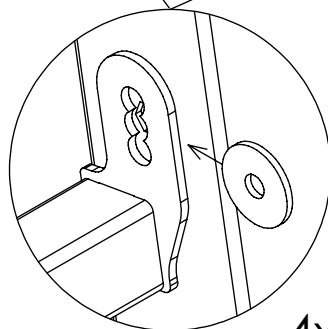
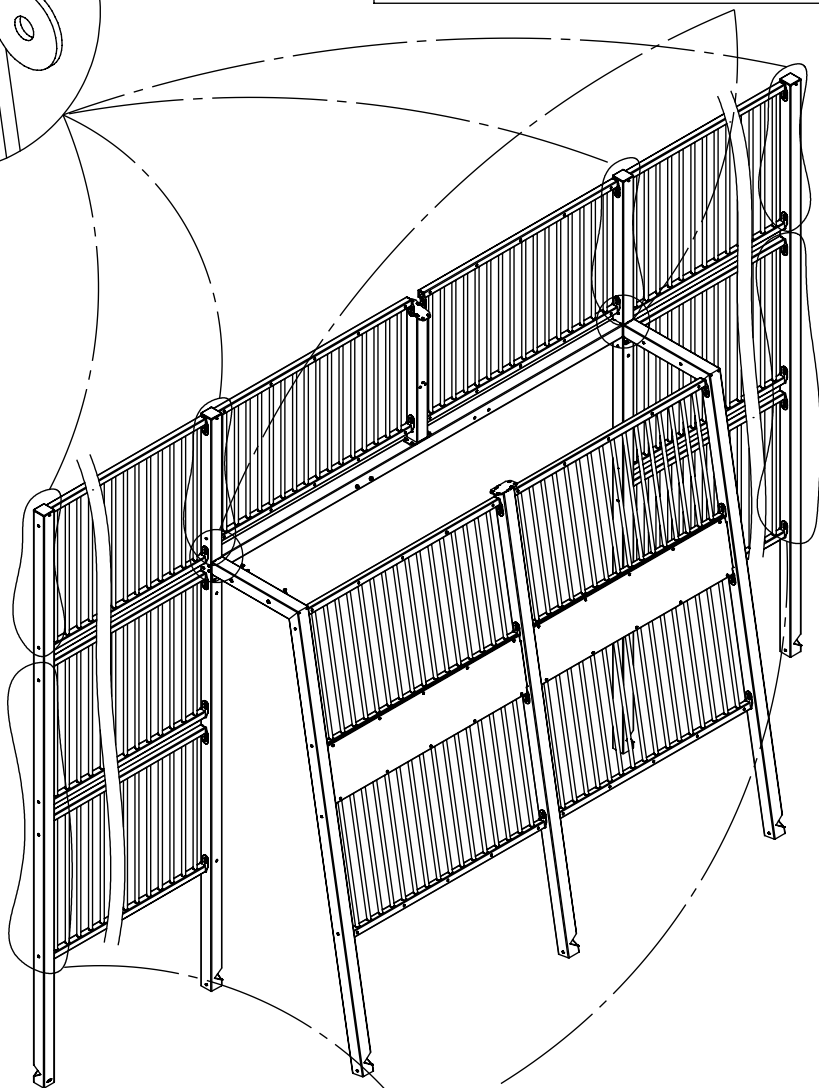
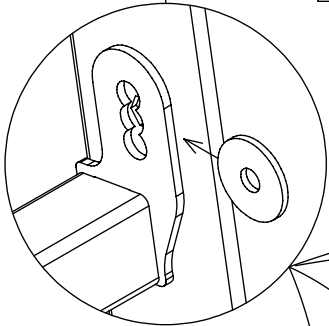
vinci
play



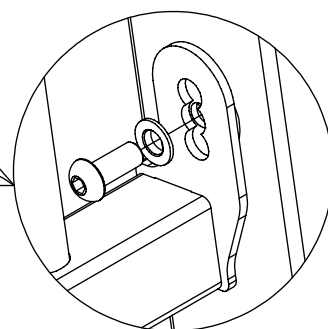
2x **24e023**



24e023

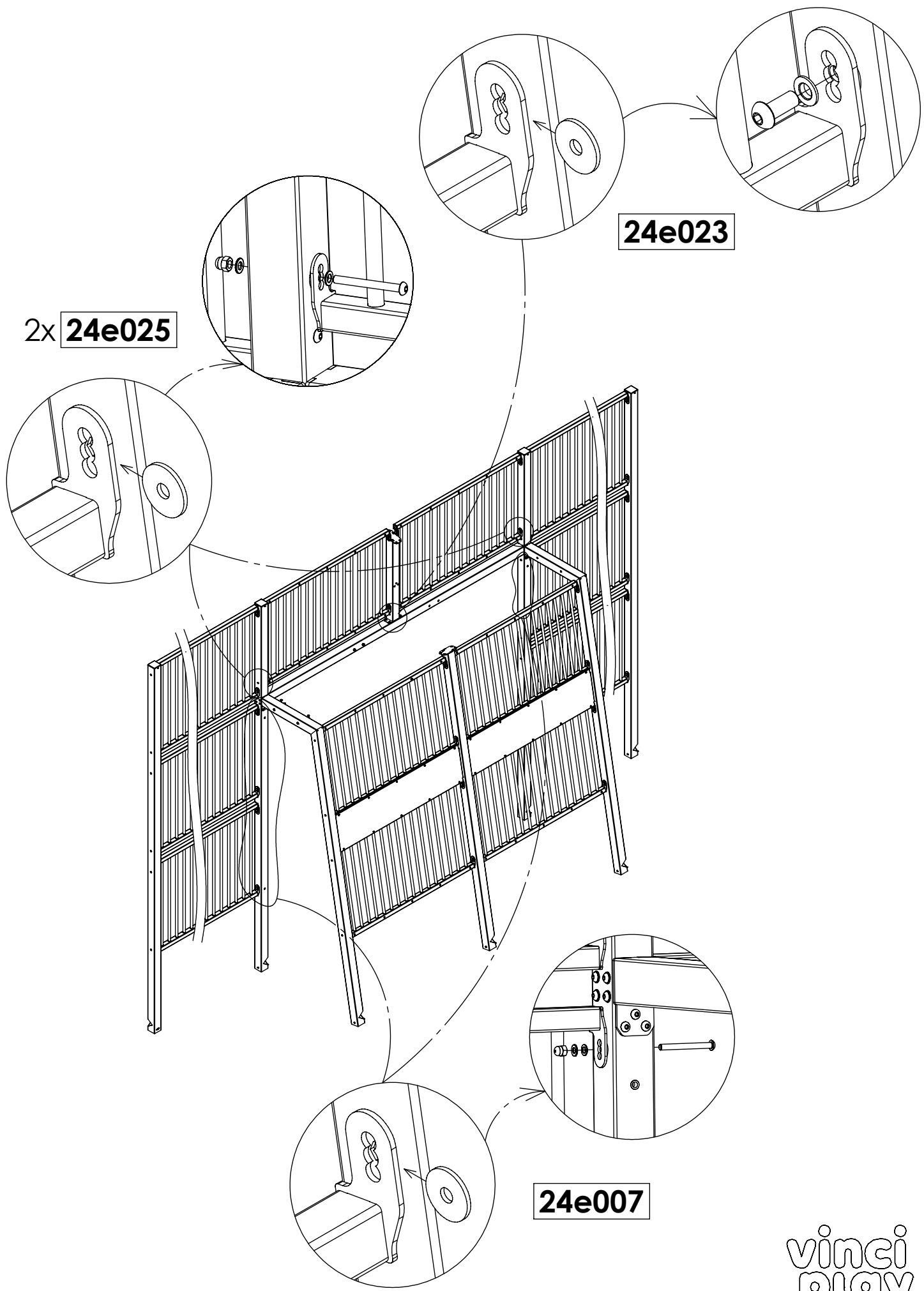


4x **24e007**



[cm]

vinci
play



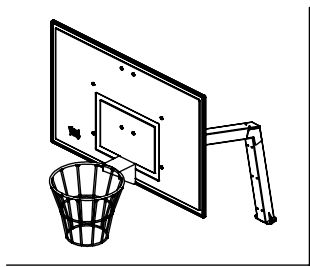
24e023

2x 24e025

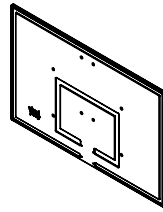
24e007

[cm]

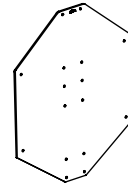
vinci
play



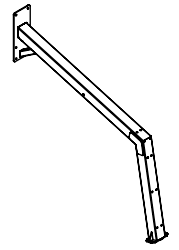
206100



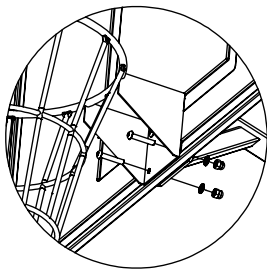
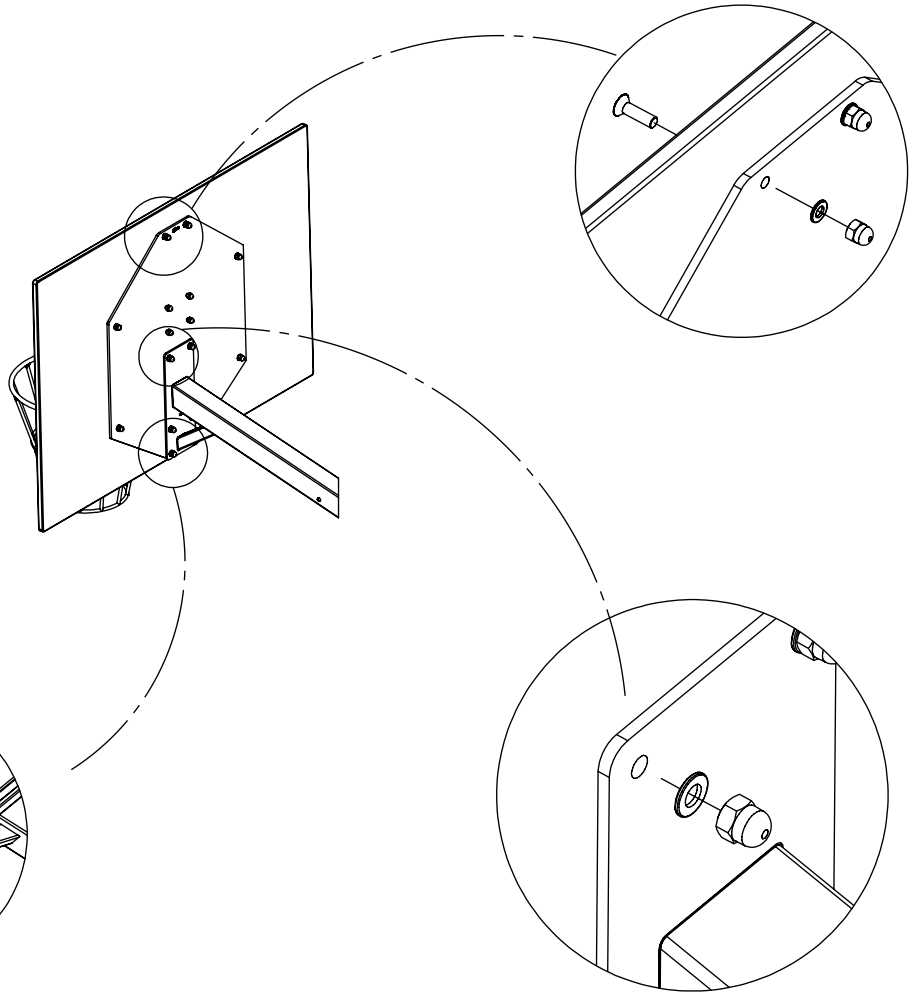
241104



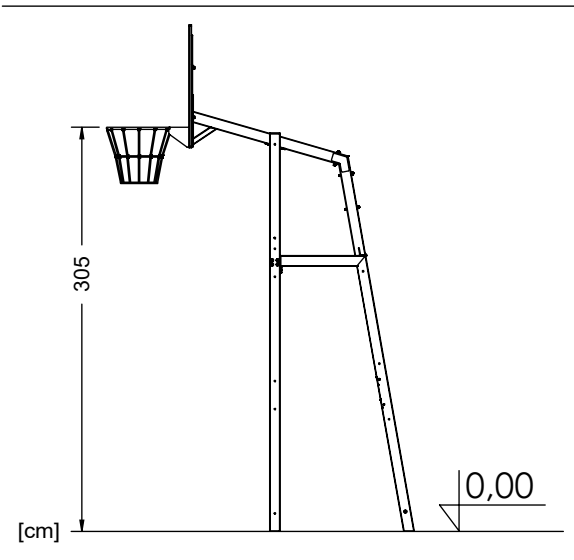
b799



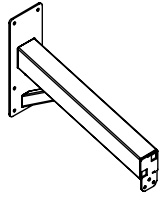
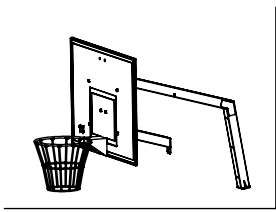
242111



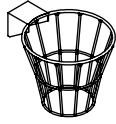
1x **24e012**



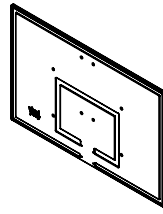
vinci
play



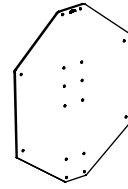
242147



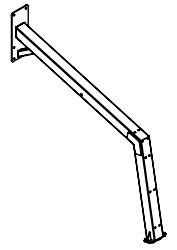
206100



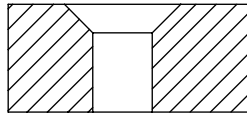
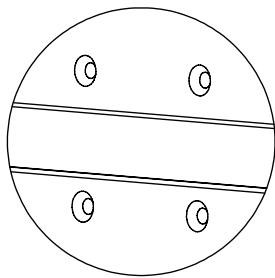
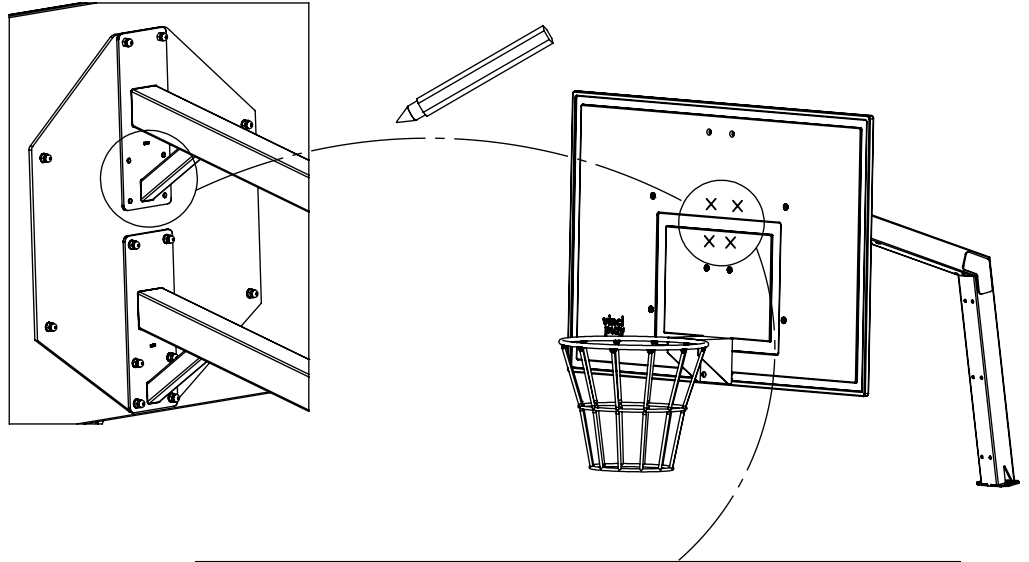
241104



b799



242111

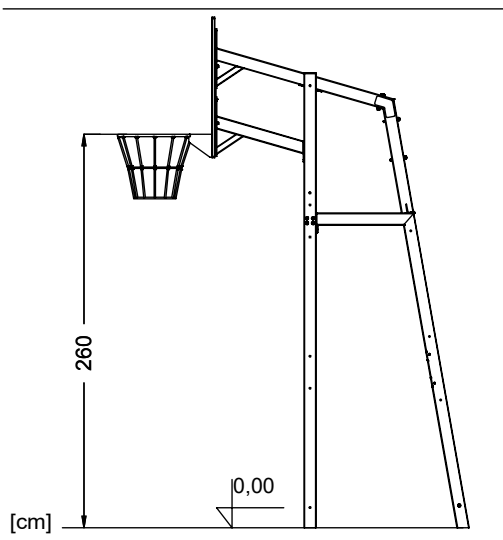


1x **24e013**

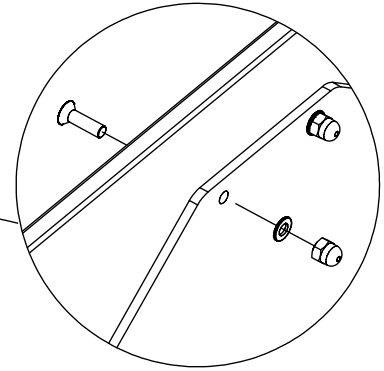
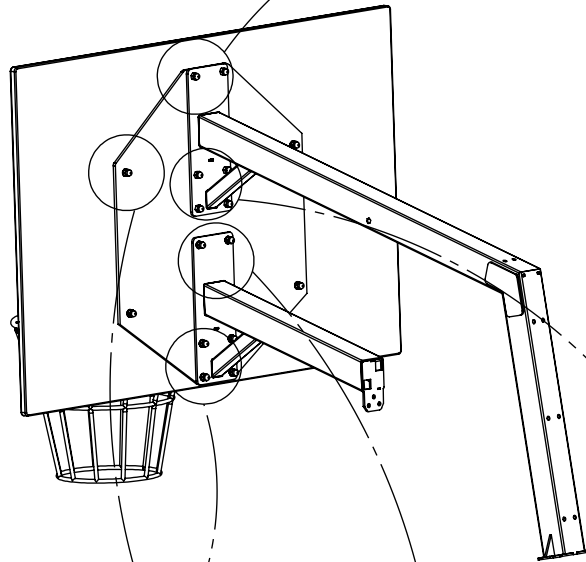
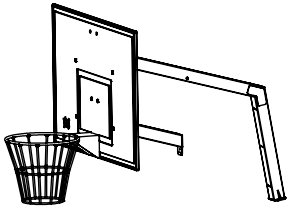
Ø 11 mm



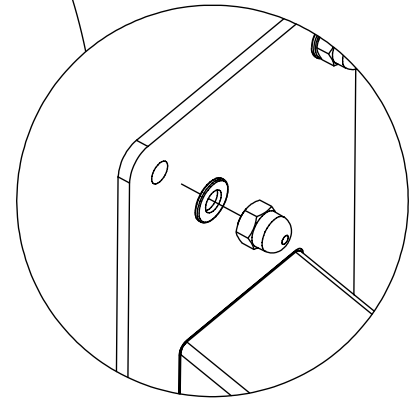
NOT INCLUDED



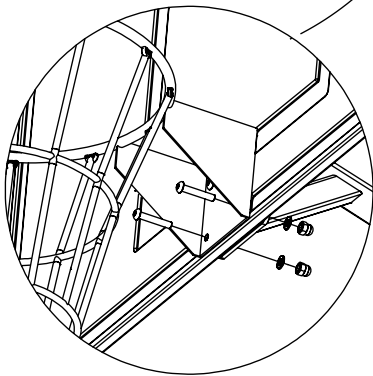
vinci
play



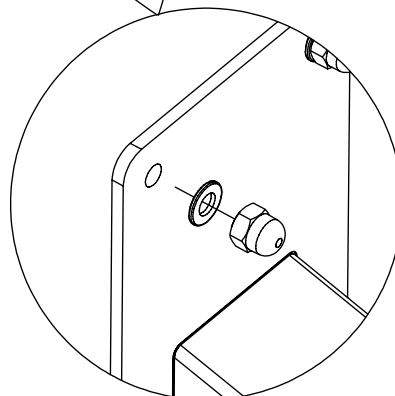
24e013



24e013

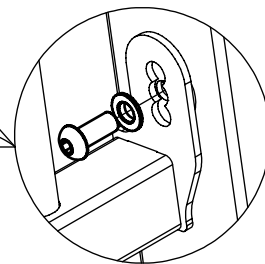
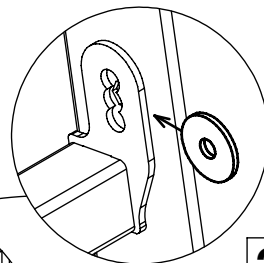


24e012

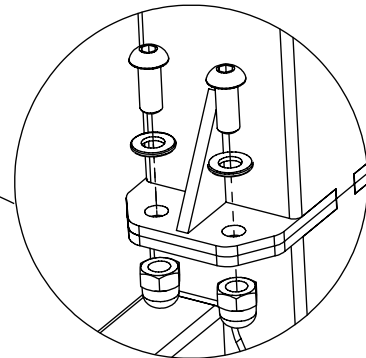
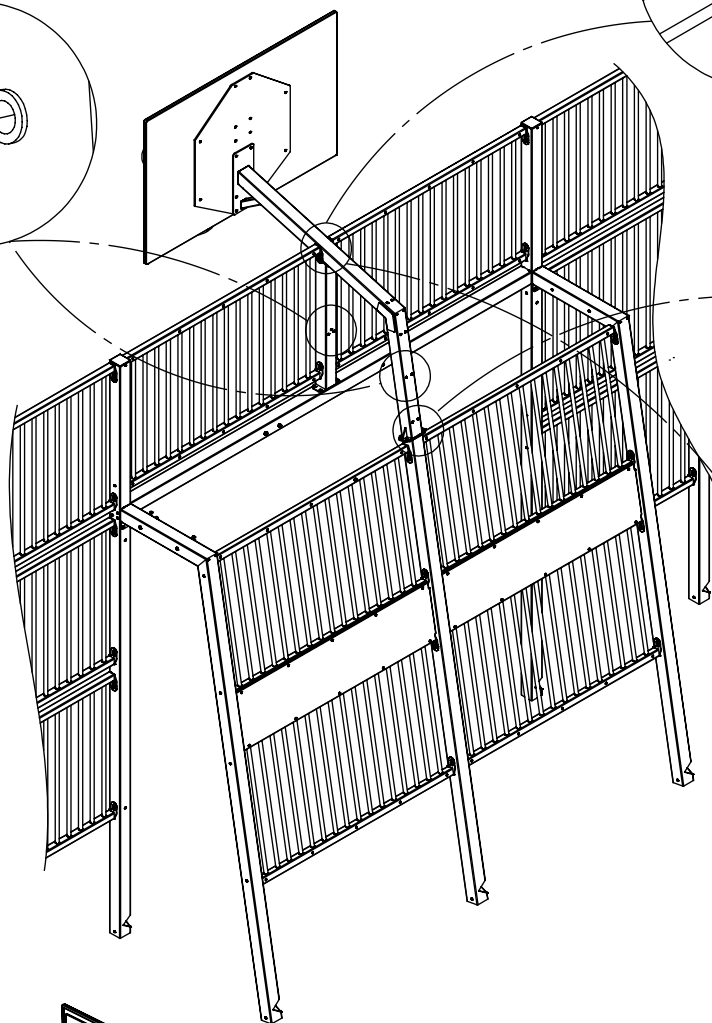
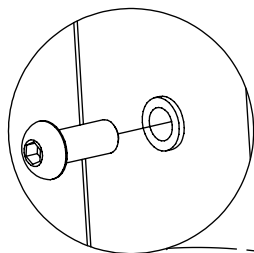


24e012

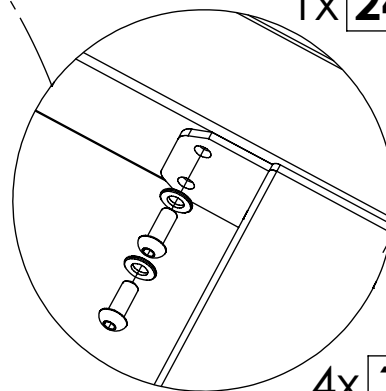
1x **24e014**



24e007

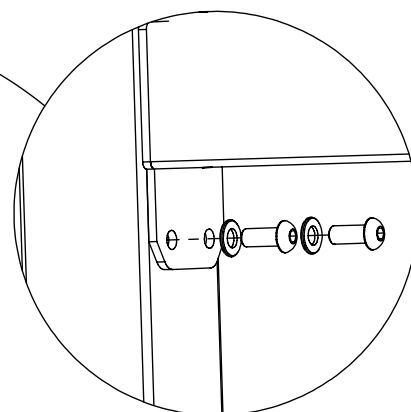
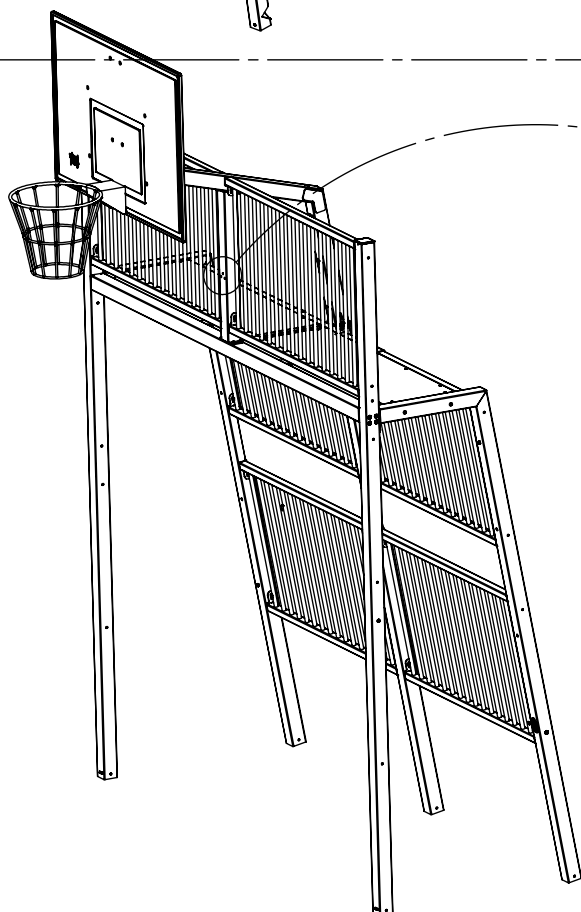


1x **24e018**



4x **10pp**

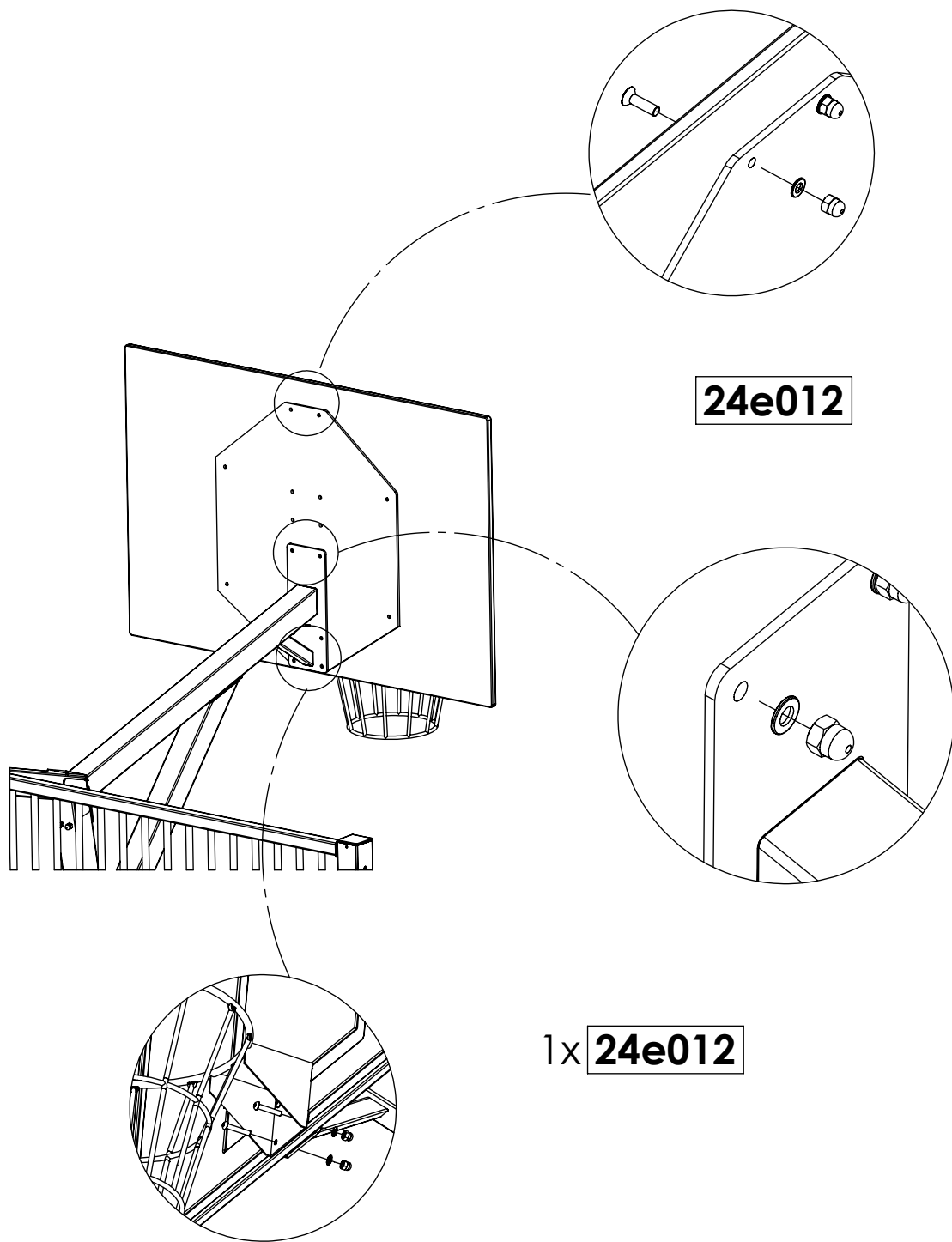
4x **10x25ikl**



24e013

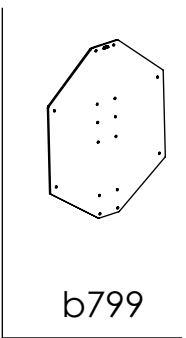
[cm]

vinci
play

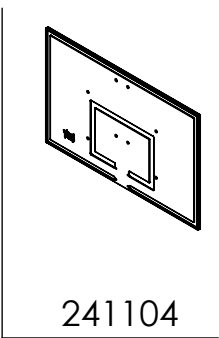


24e012

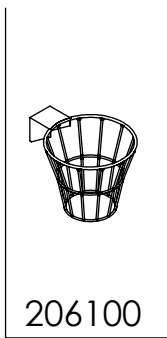
1x **24e012**



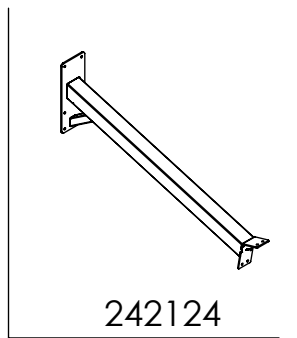
b799



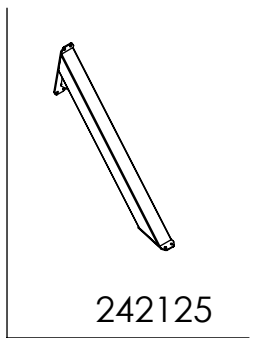
241104



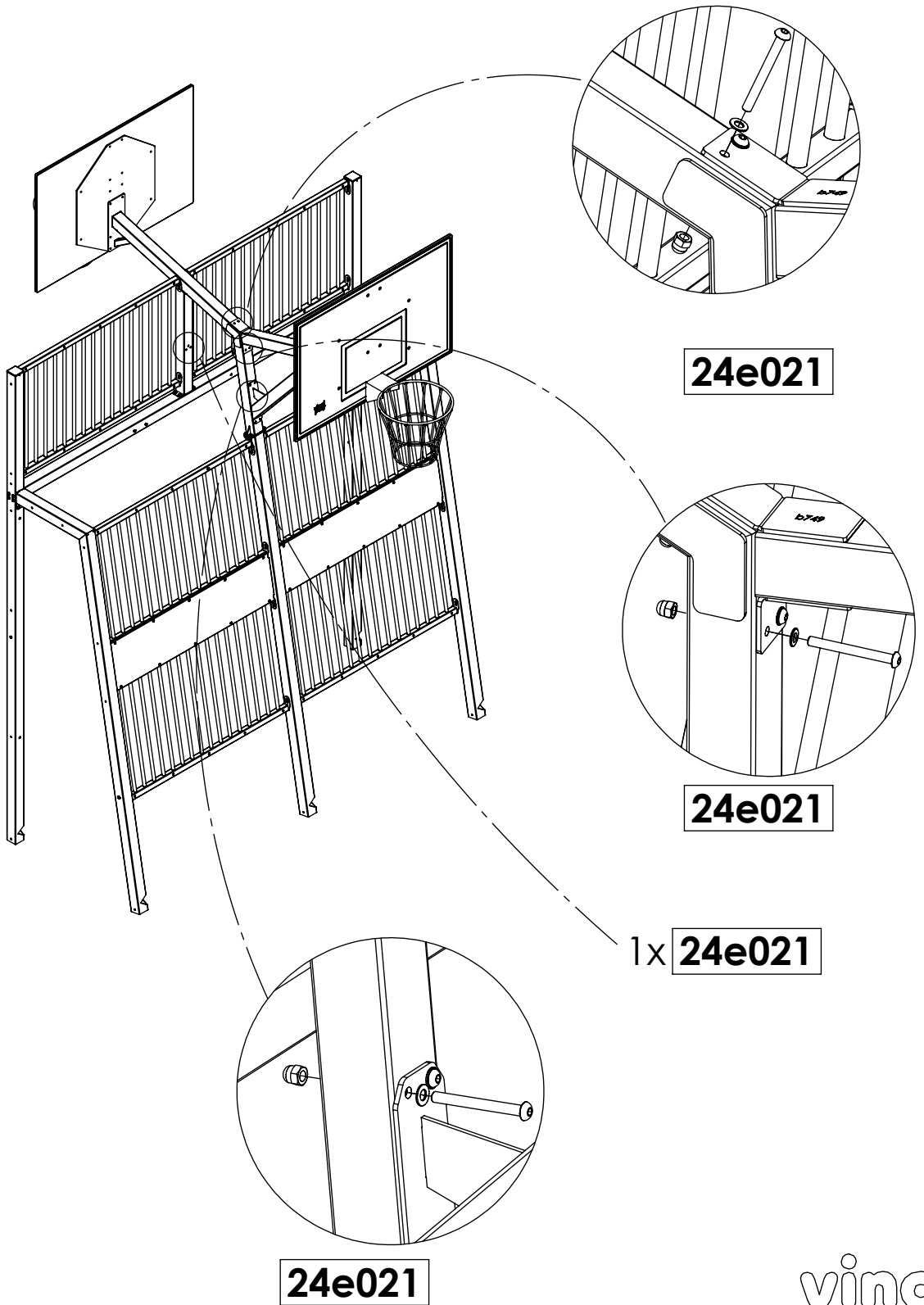
206100



242124

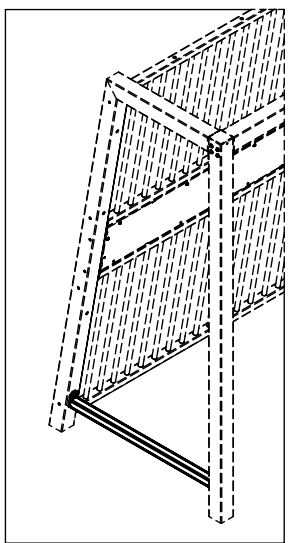
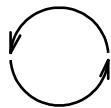
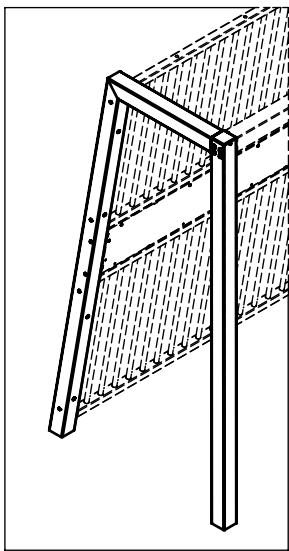


242125

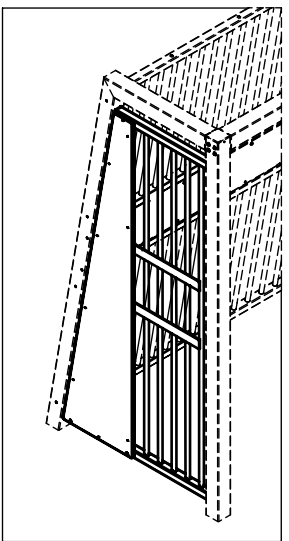
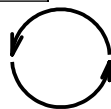


[cm]

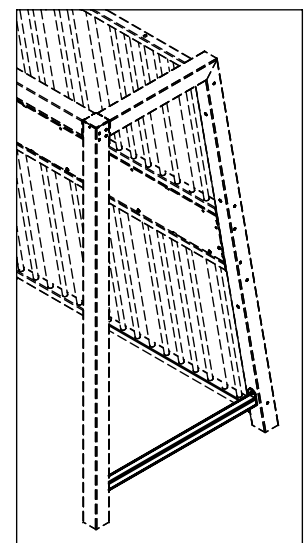
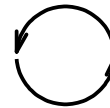
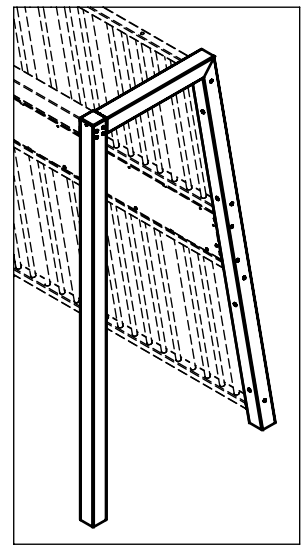
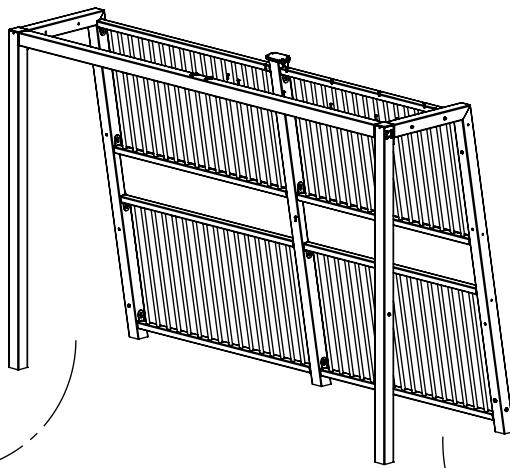
vinci
play



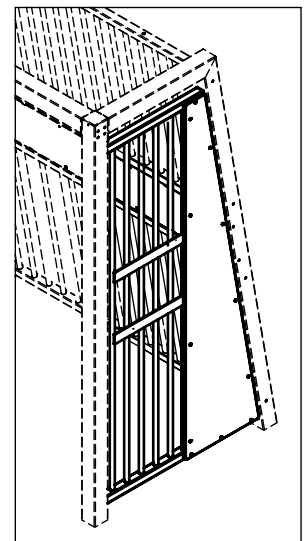
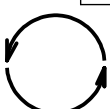
242123



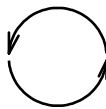
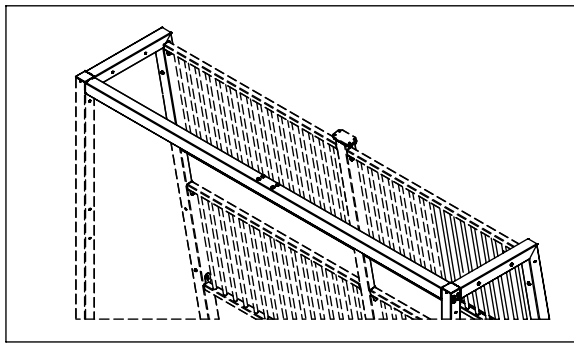
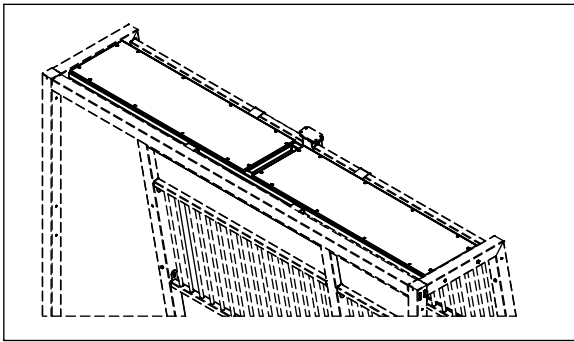
244126



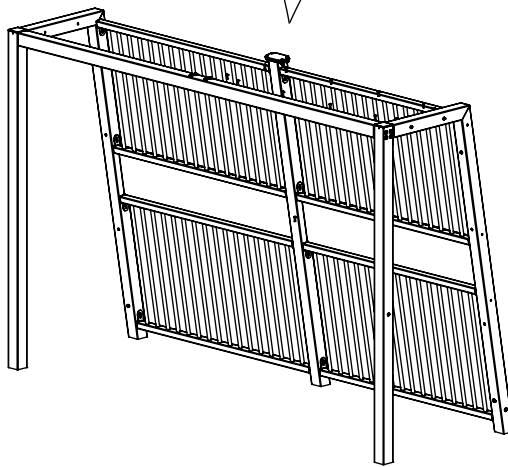
242123

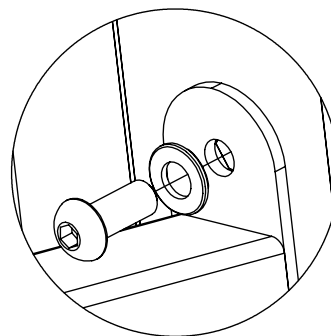
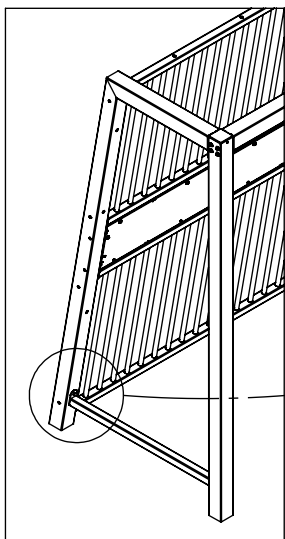


244125



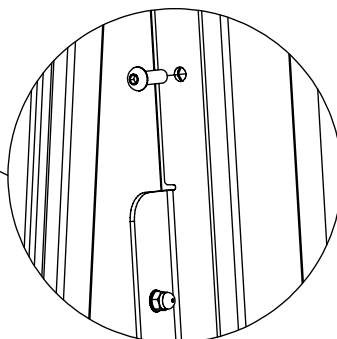
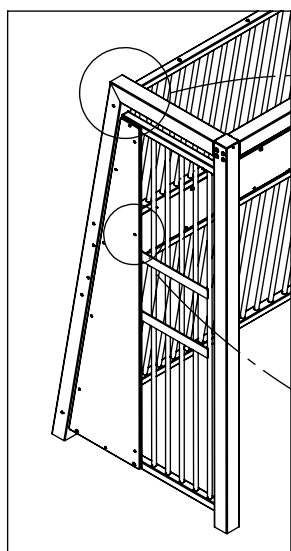
244129



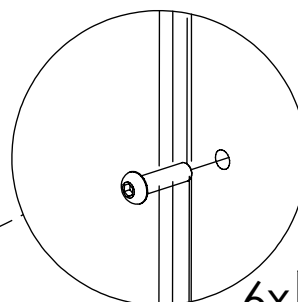


6x **10x25ikl**

6x **10pp**

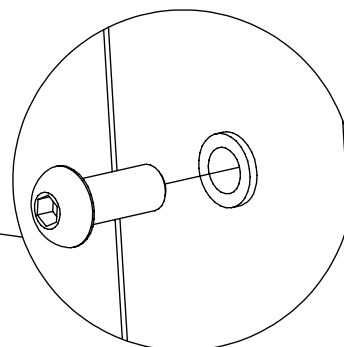
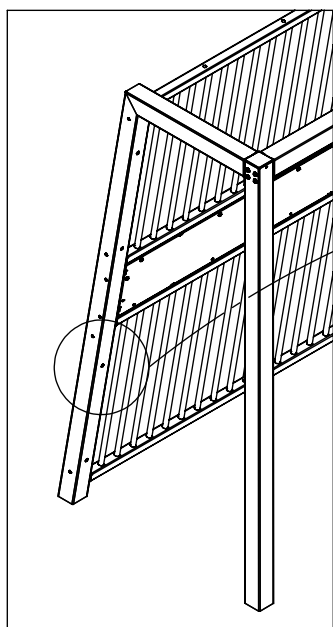


1x **24e011**



6x **10x25ikl**

6x **10pp**

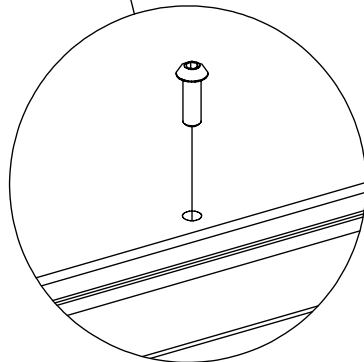
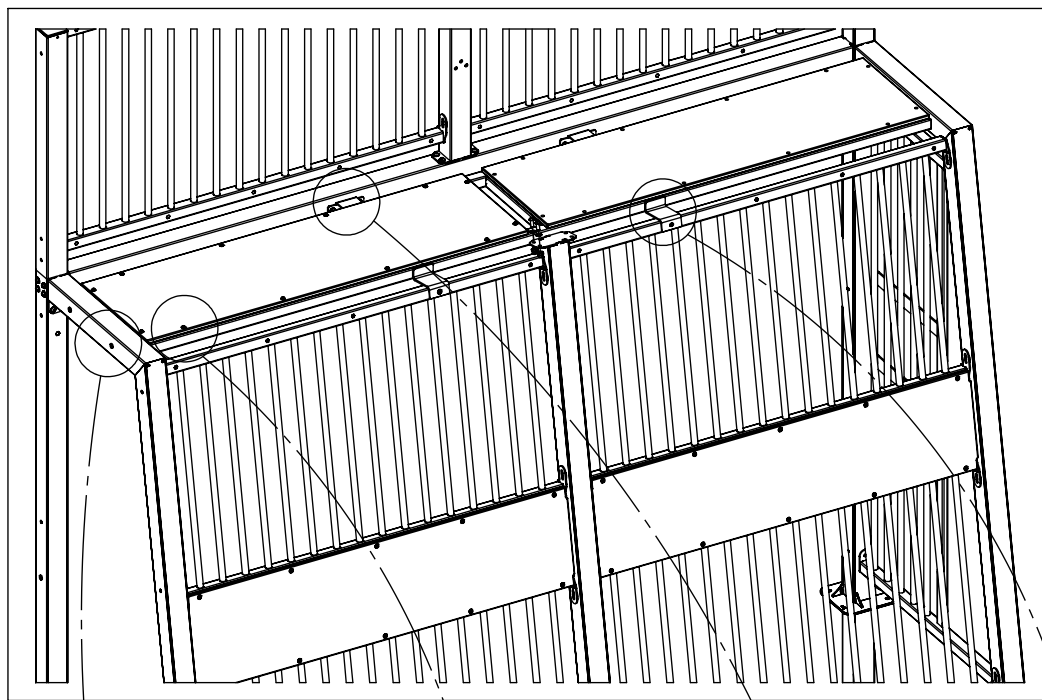


6x **10x25ikl**

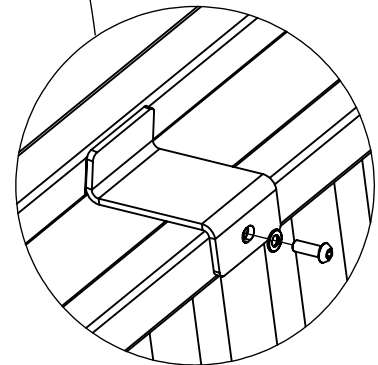
6x **10pp**

[cm]

vinci
play

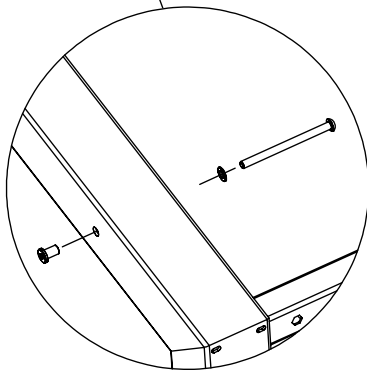


1x **24e029**

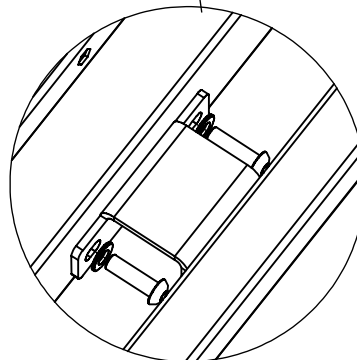


8x25ikl

8pp



24e029



24e029