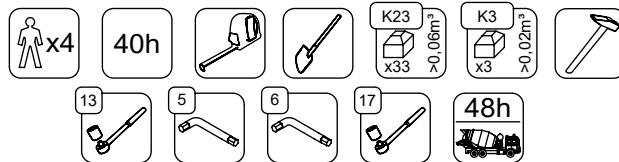
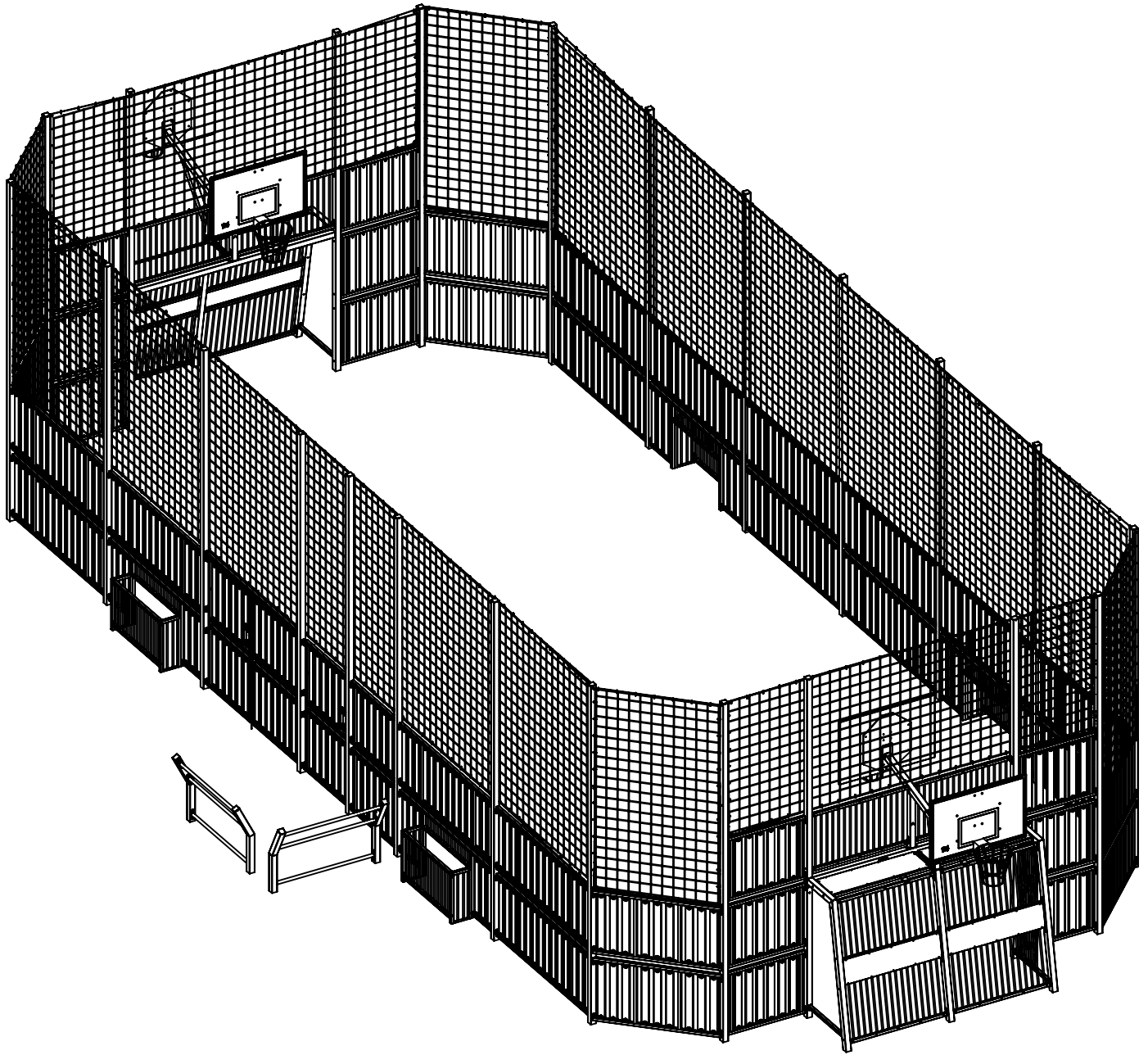
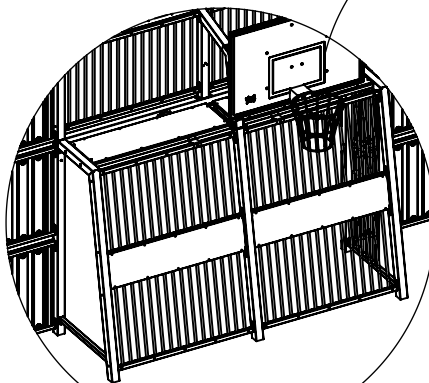
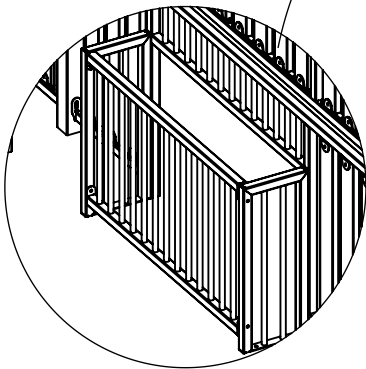
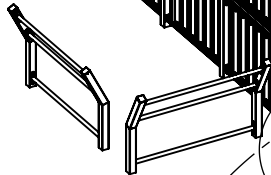
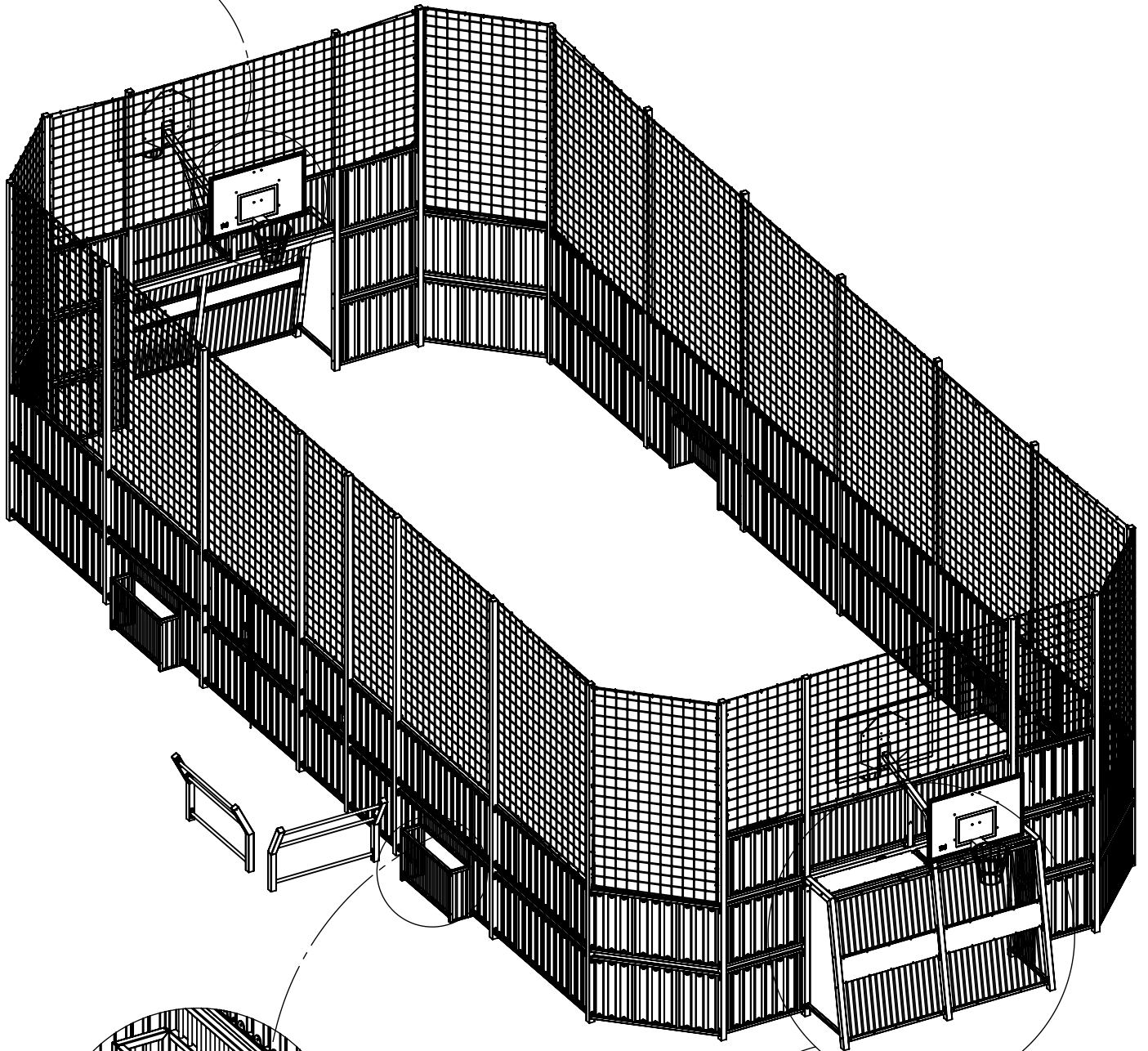
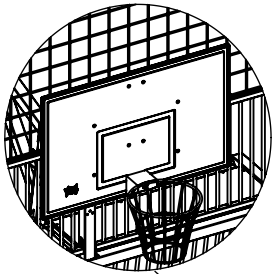


# 241708-002



v012  
15.02.2024  
I.A.  
[cm]

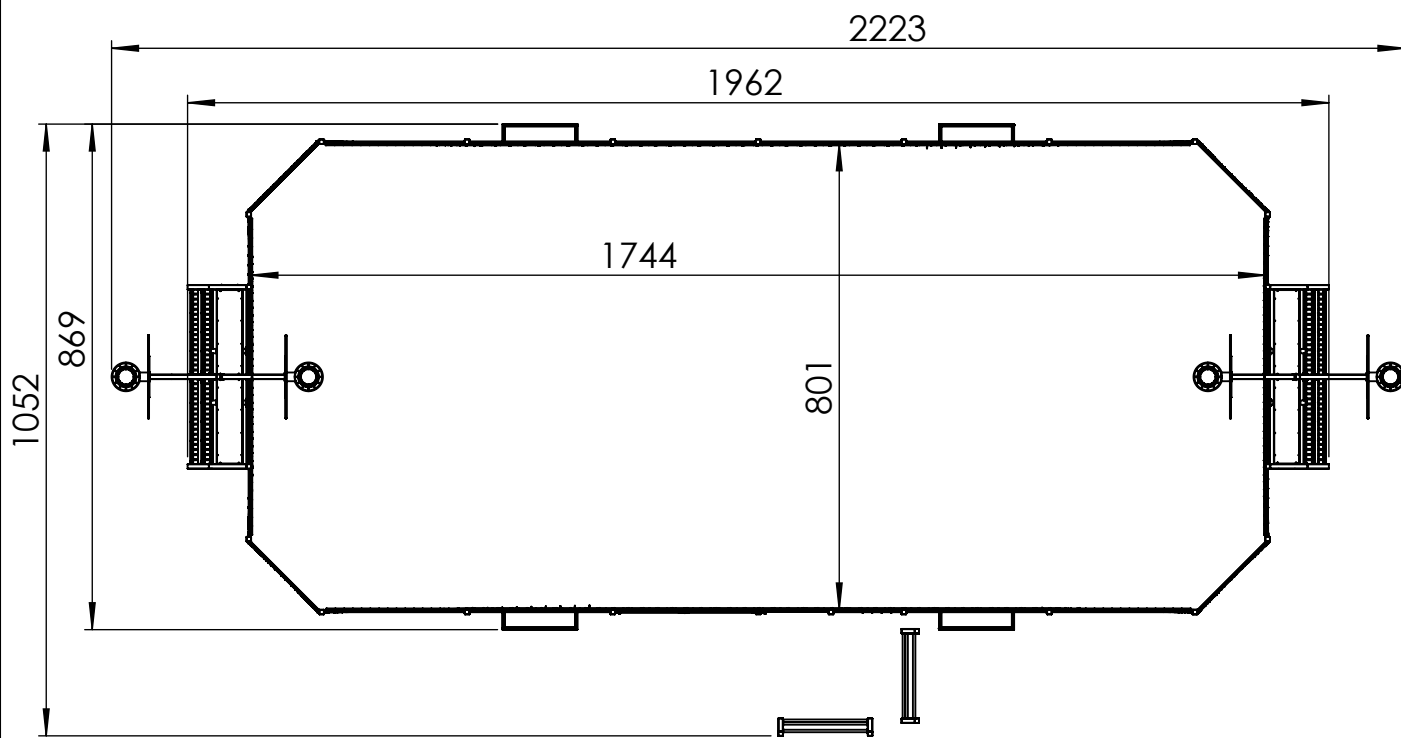
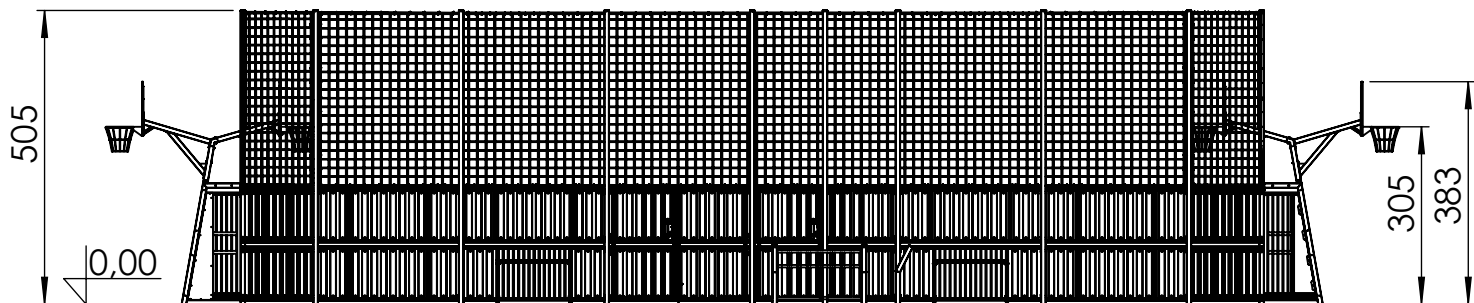
vinci  
play



[cm]

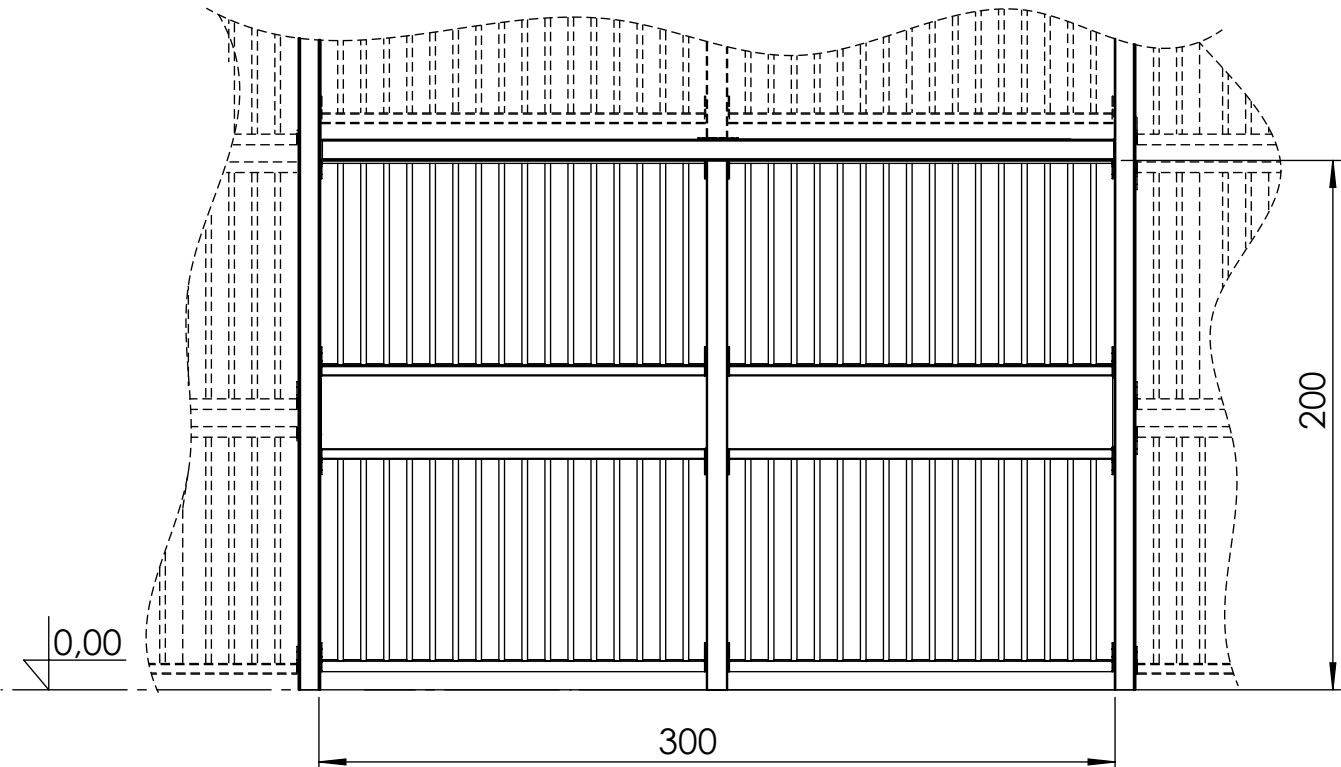
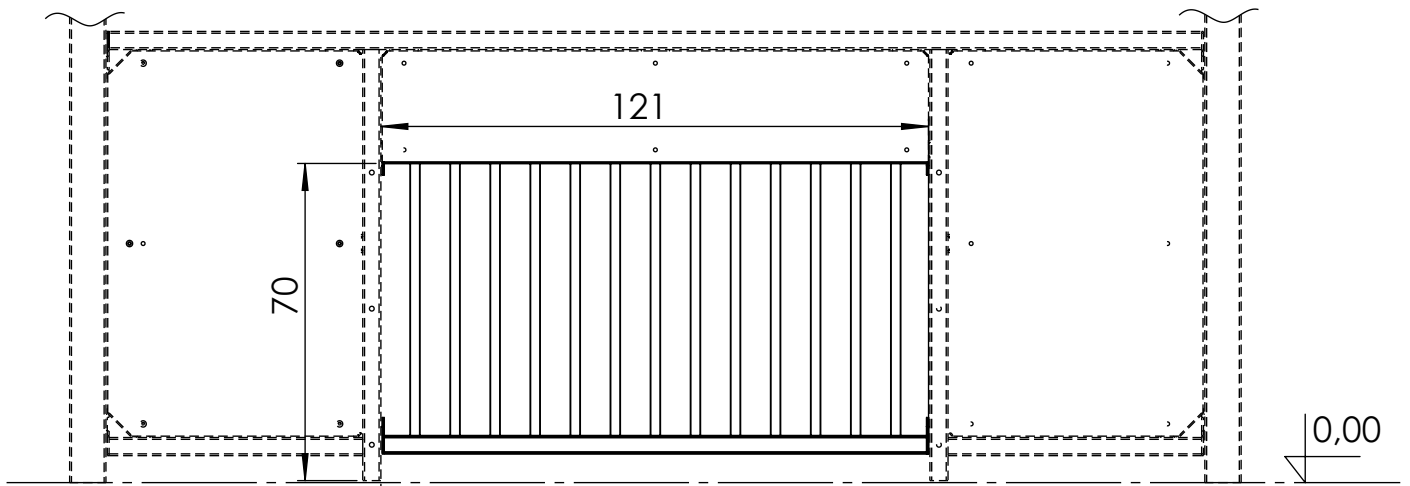
vinci  
play



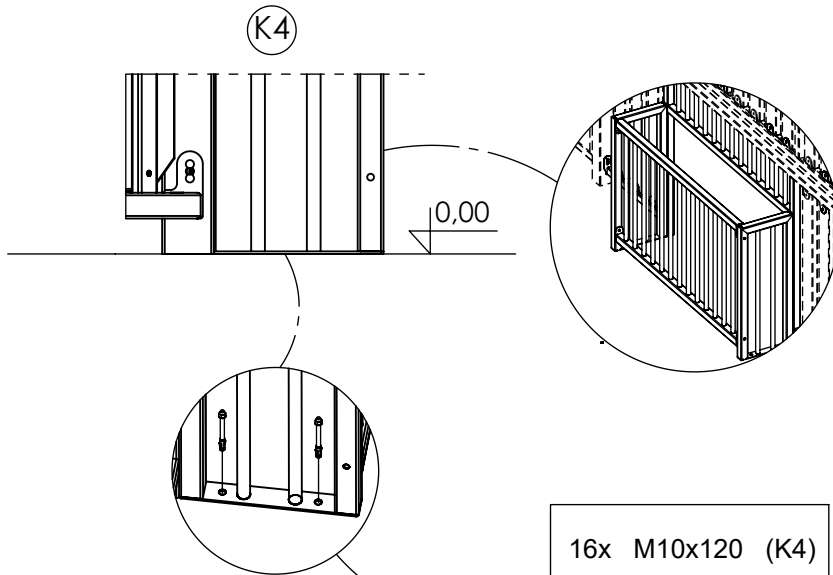
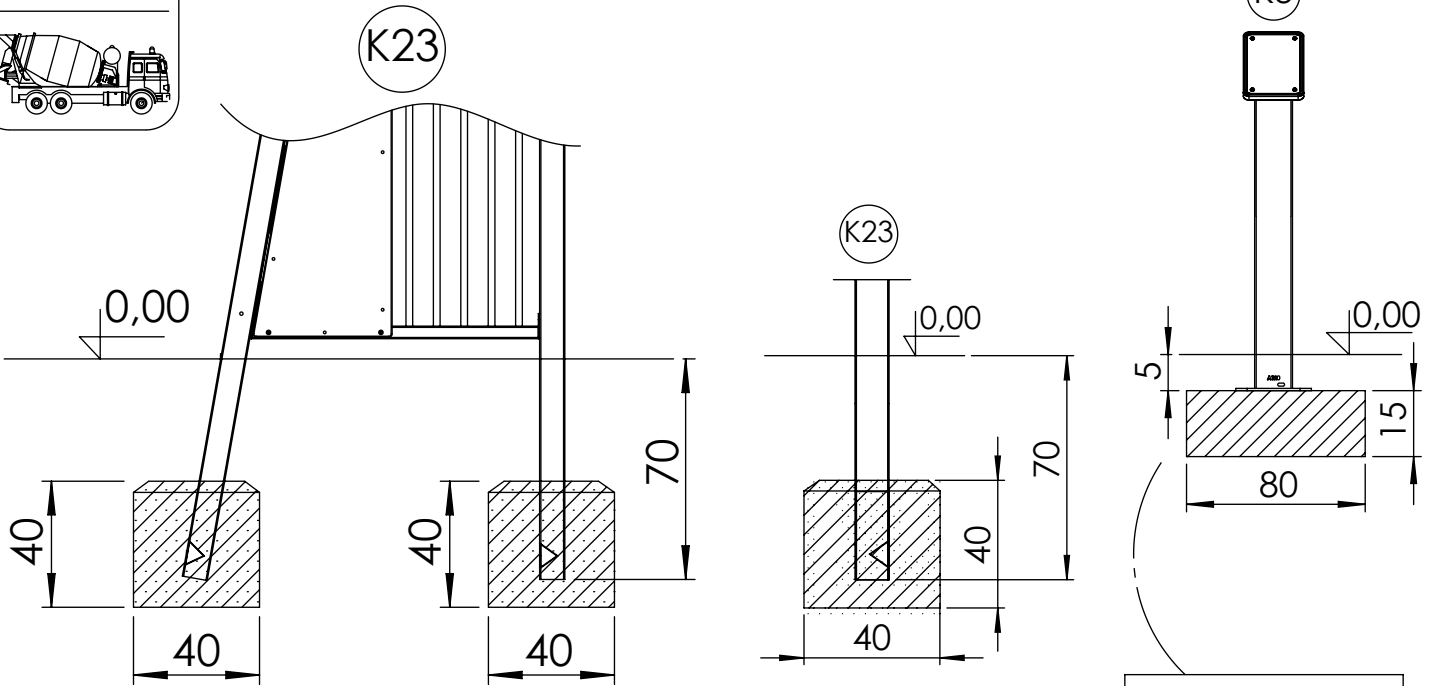
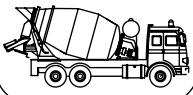


[cm]

vinci  
play



48h



4x M10x120 (K3)

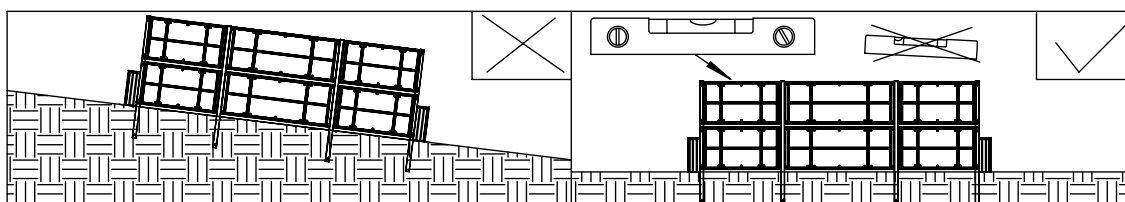
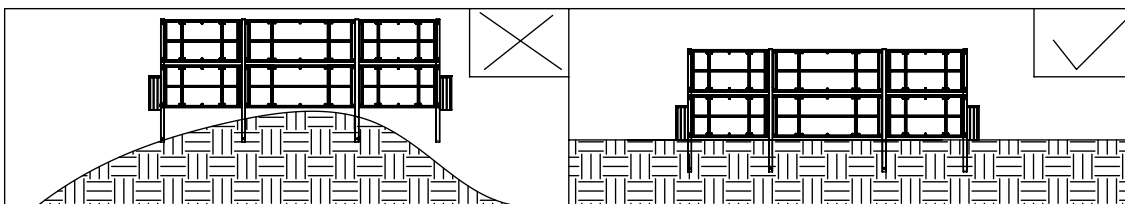
**NOT INCLUDED**

16x M10x120 (K4)

**NOT INCLUDED**

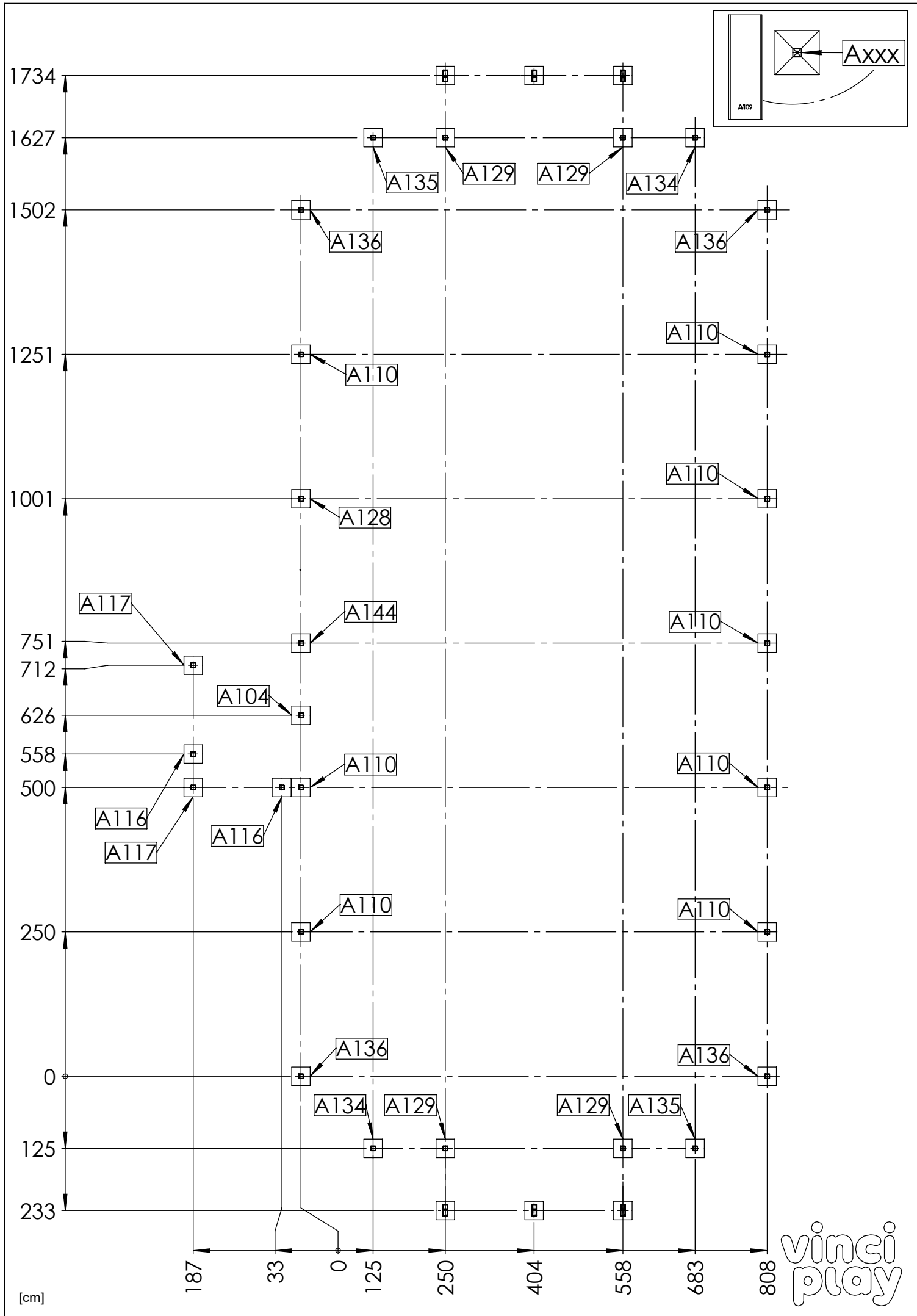
15x80x80 0,09 m<sup>3</sup>  
x1

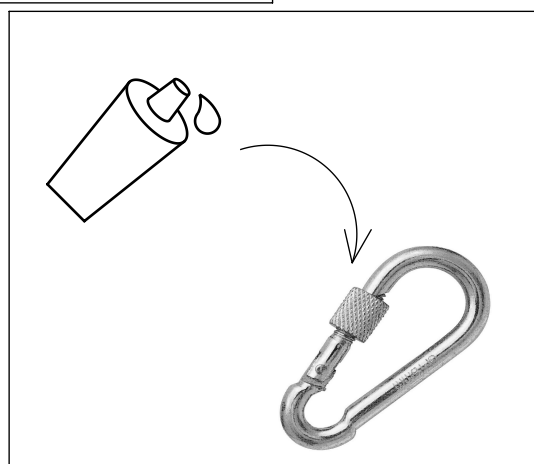
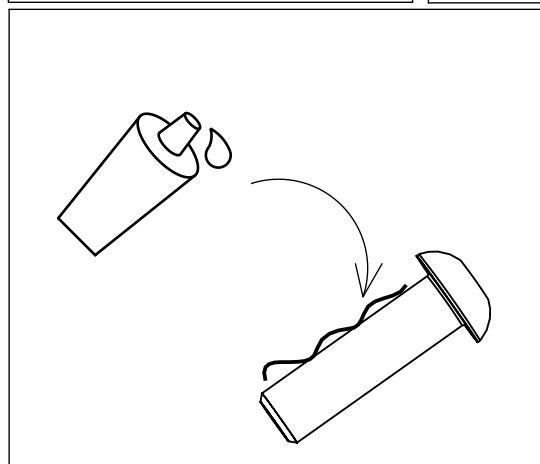
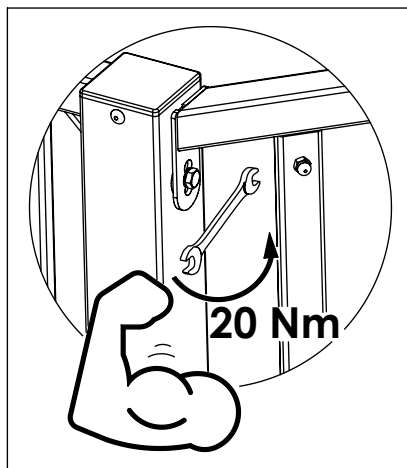
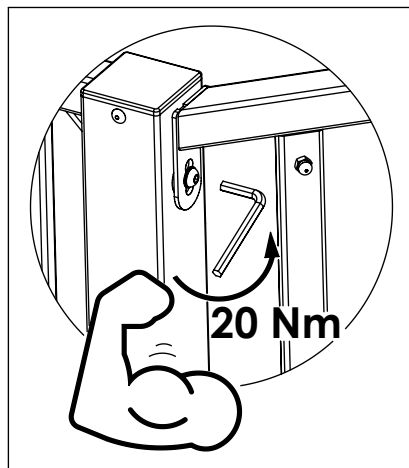
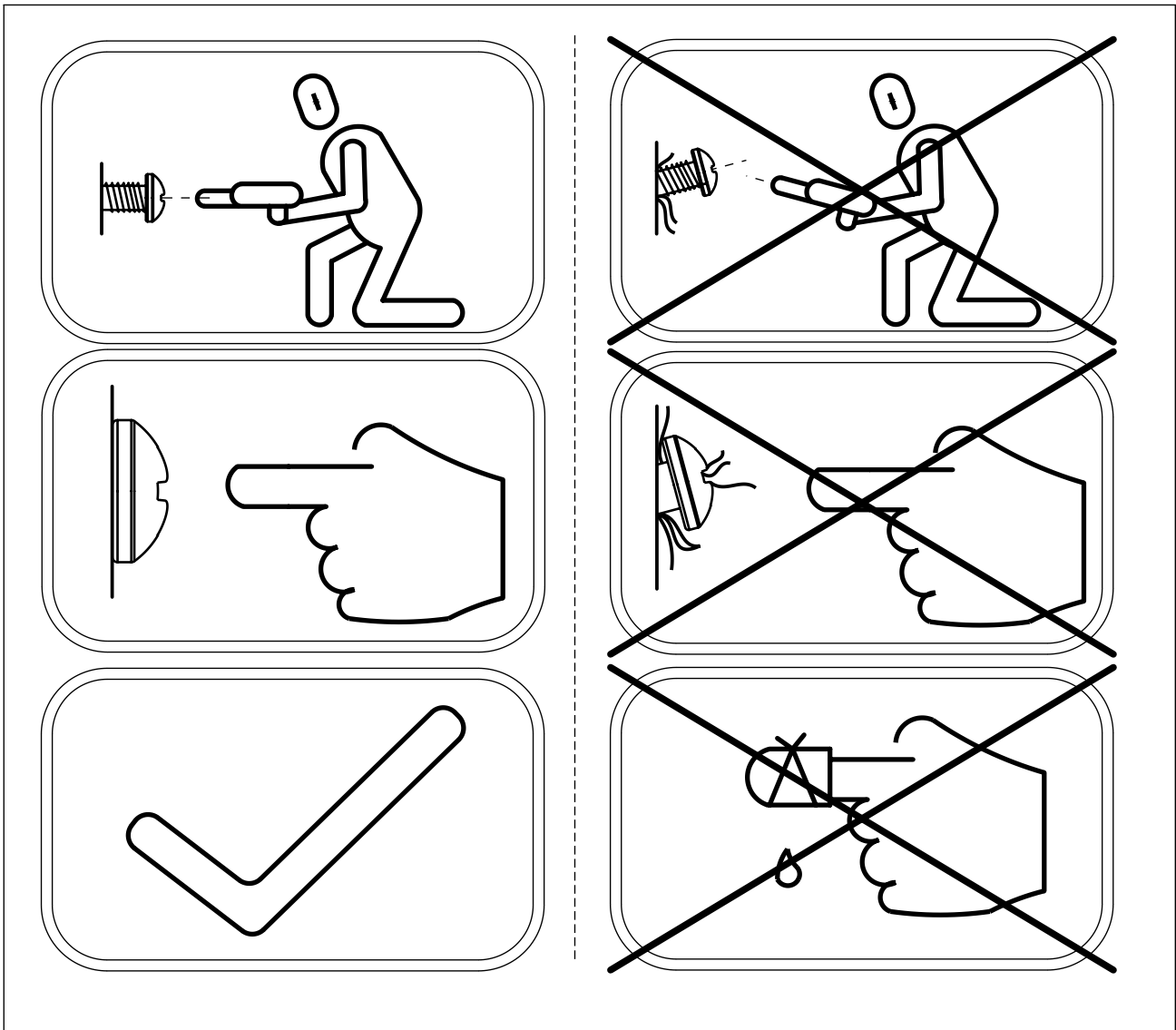
40x40x40 0,06 m<sup>3</sup>  
x33



[cm]

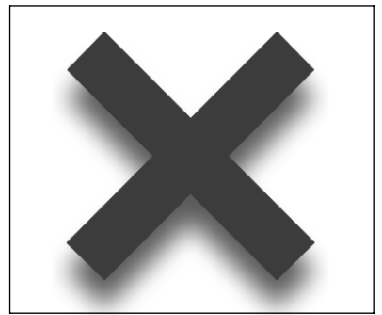
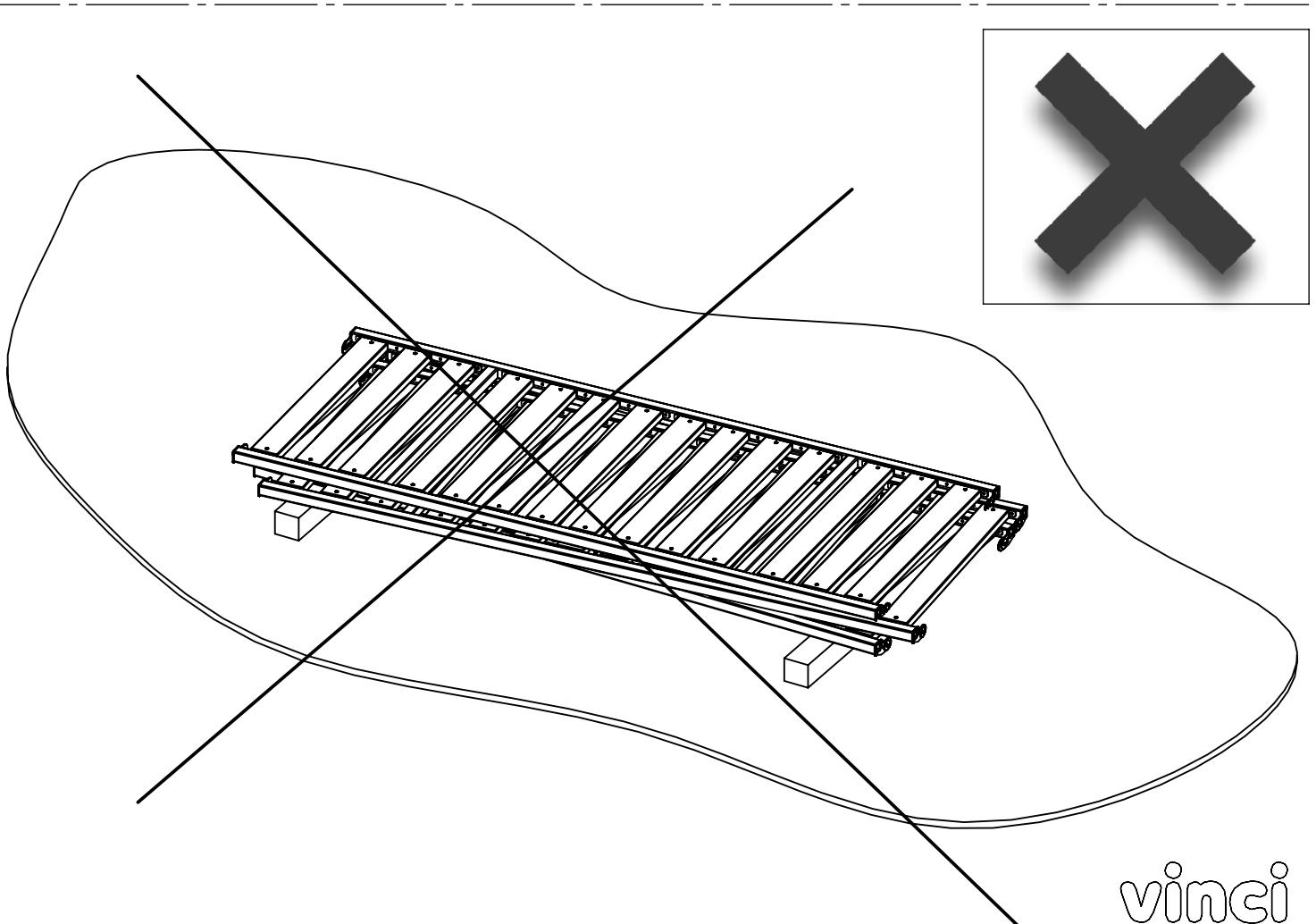
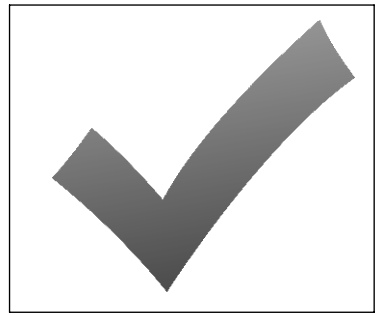
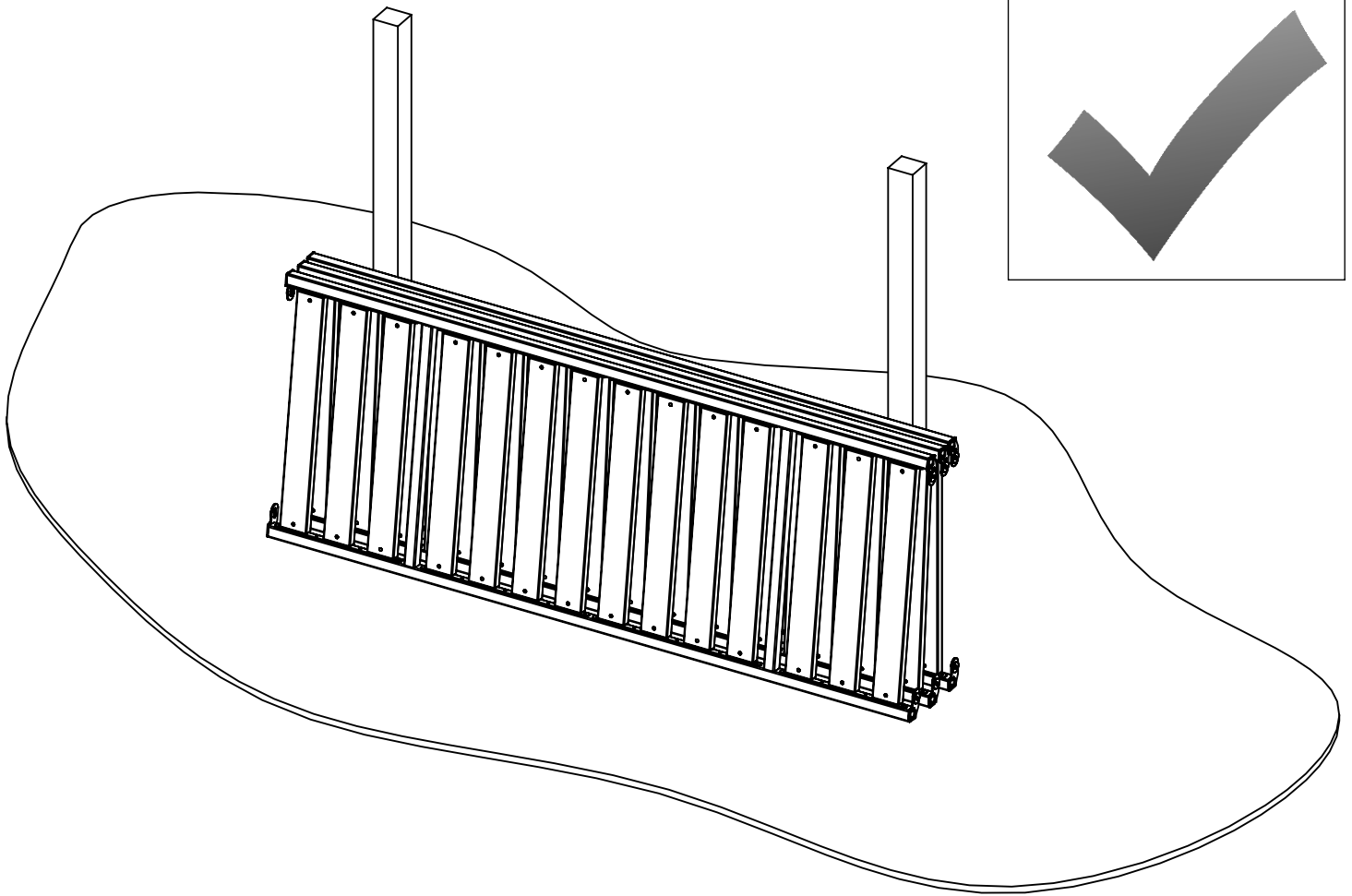
vinci play





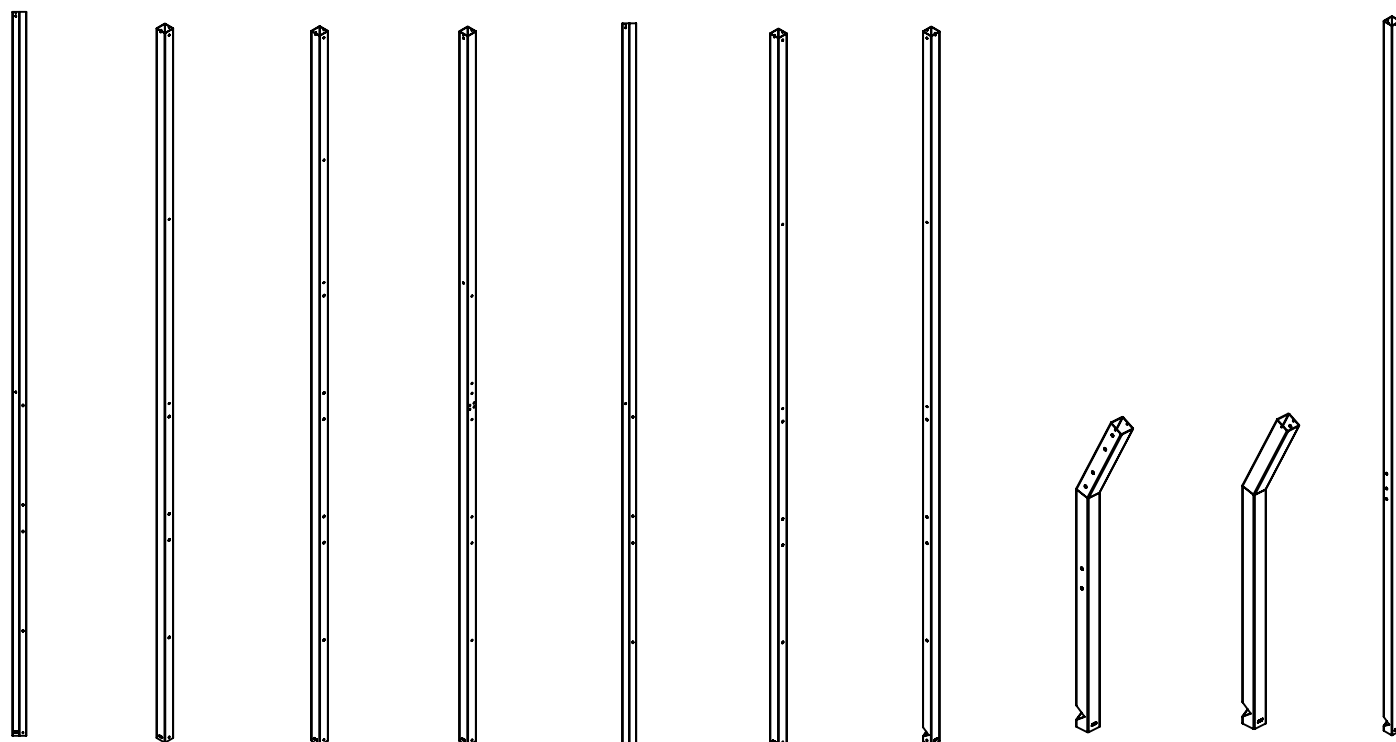
[cm]

vinci  
play

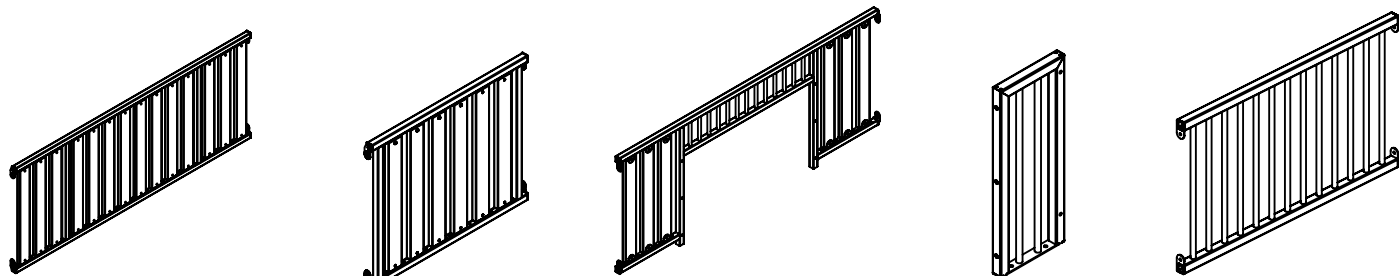


[cm]

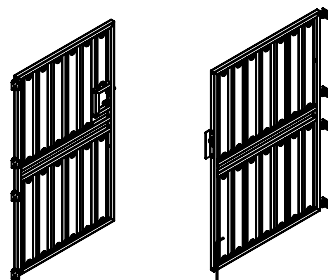
vinci  
play



A110 x8    A136 x4    A135 x2    A129 x4    A128 x1    A134 x2    A144 x1    A116 x2    A117 x2    A104 x1



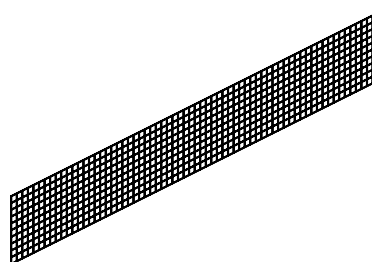
244105 x16    244109 x14    244106 x4    242105 x8    242106 x4



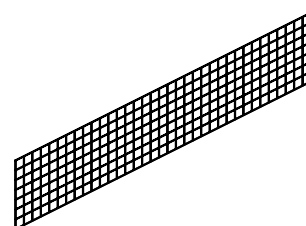
244120 x2    244121 x1



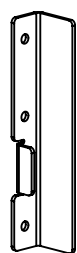
x1



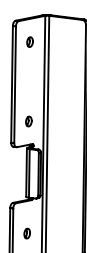
1486x296 x2



544x197 x2



b817 x1



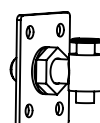
b816 x1



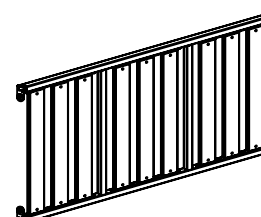
249100 x440



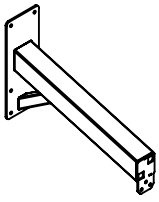
249101 x2



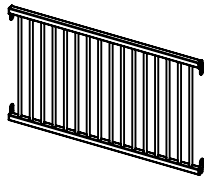
996484 x12



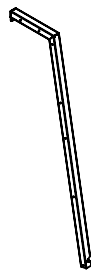
244124 x8



242147  
x2



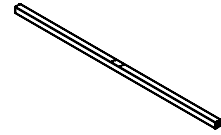
242139  
x12



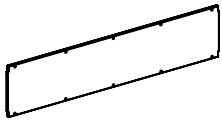
242115  
x4



242113  
x2



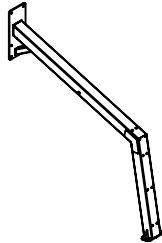
242112  
x2



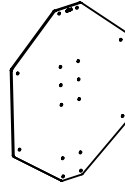
241109  
x4



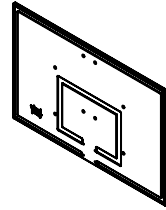
242114  
x2



242111  
x2



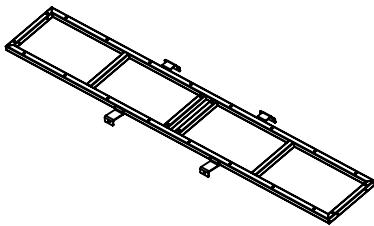
b799  
x4



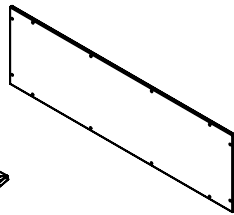
241104  
x4



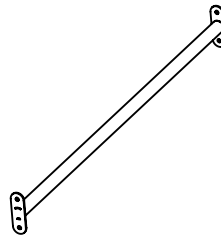
206100  
x4



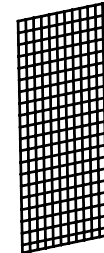
242152



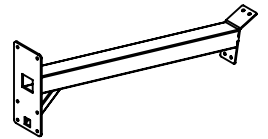
241115



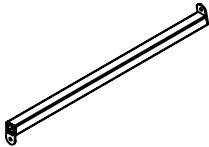
242141  
x6



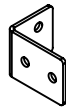
165x296  
x4



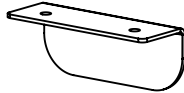
242124  
x2



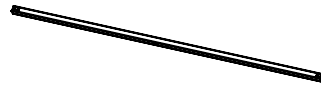
242123



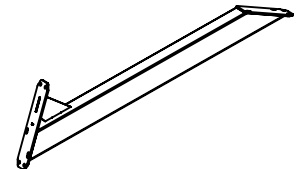
b960  
x2



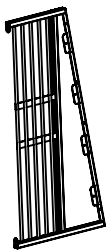
b959  
x1



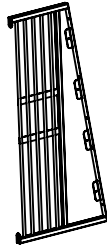
243242  
x1



242125  
x2



244125

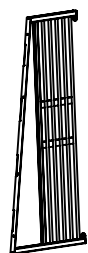


242109



241103

1x 24e011



244126




242146



241103

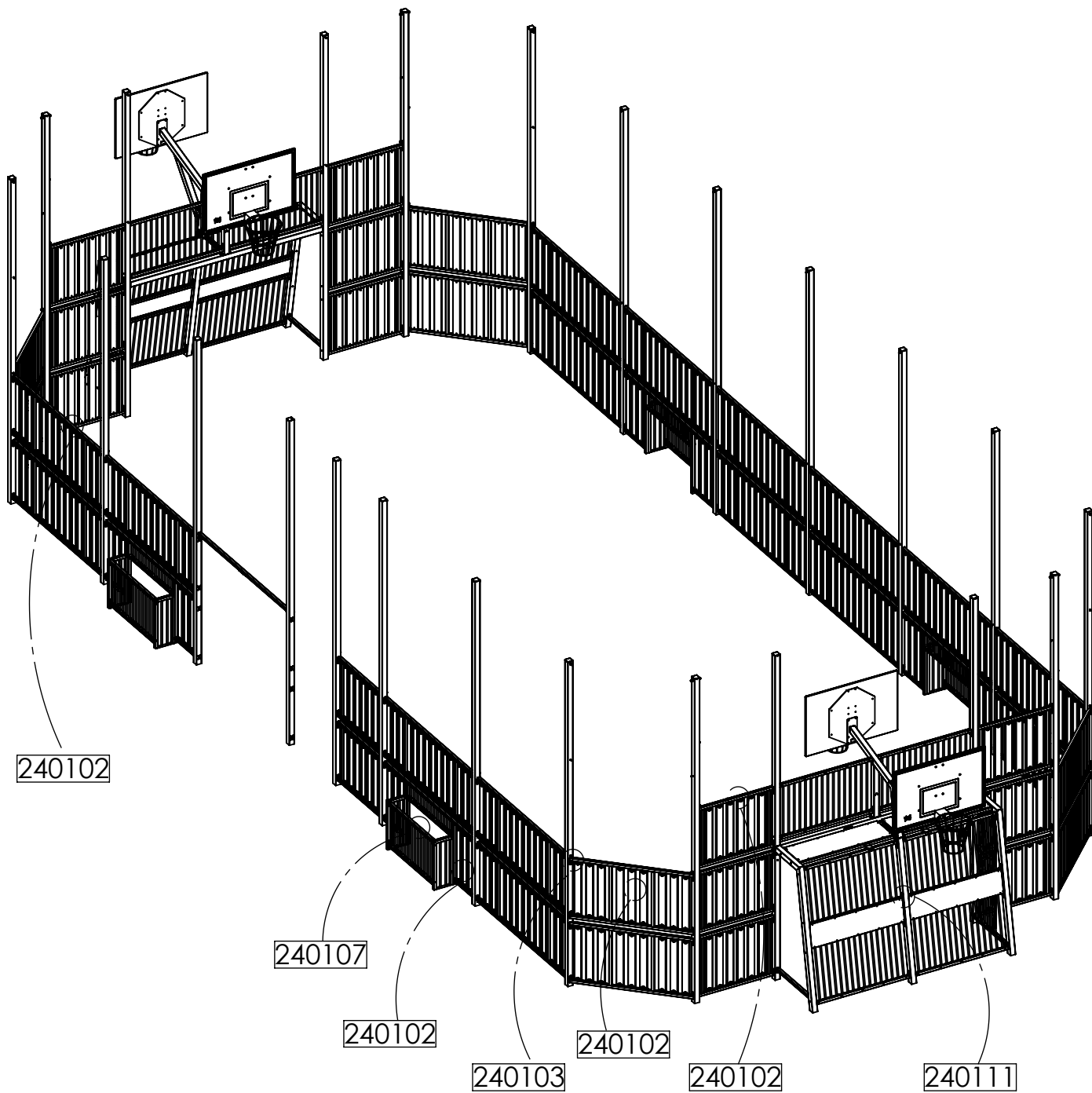
1x 24e011





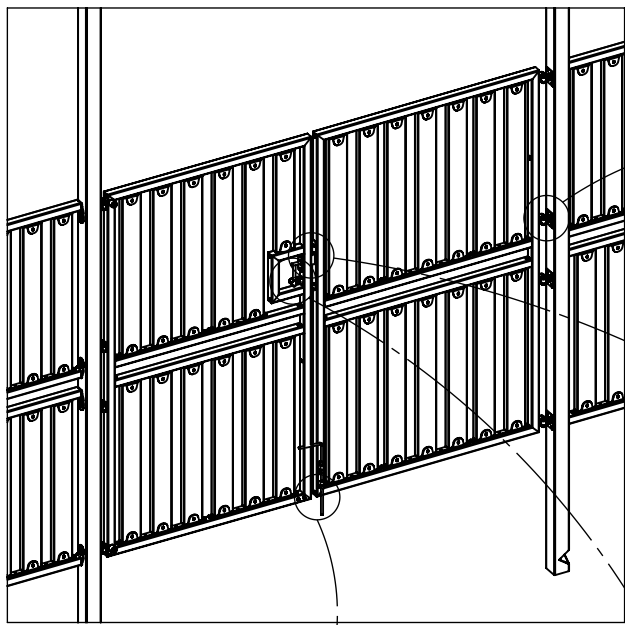
240102  
240103  
240107  
240111

40x	8x30ikl
132x	8x25ikl
6x	8x20ikl
124x	10x25ikl
92x	10pp
132x	8pp
24x	10x60ikl
30x	24e001
4x	24e002
17x	24e003
34x	24e004
1x	24e005
1x	24e006
16x	24e007
1x	246103
2x	24e011
4x	24e012
4x	24e013
2x	24e017
2x	24e018
2x	24e021
4x	24e023
4x	24e025
2x	24e029
2x	24e032
1x	24e040
1x	24e041
2x	24e042
2x	24e043
1x	V003
372x	996511
196x	996483

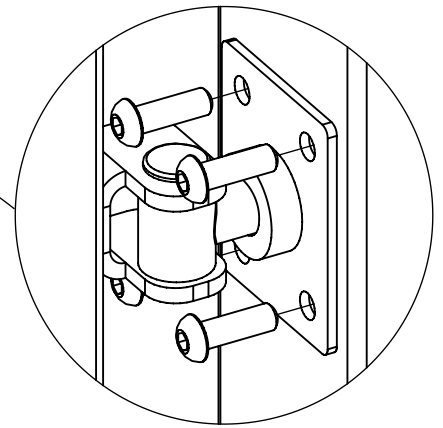


[cm]

vinci  
play

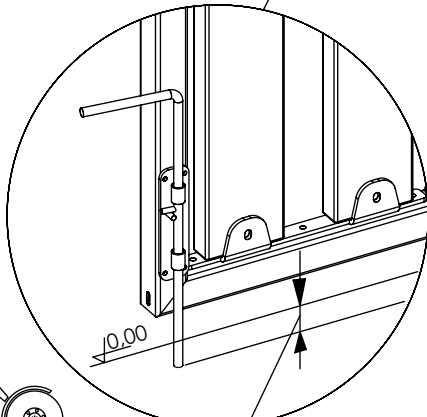


24e032

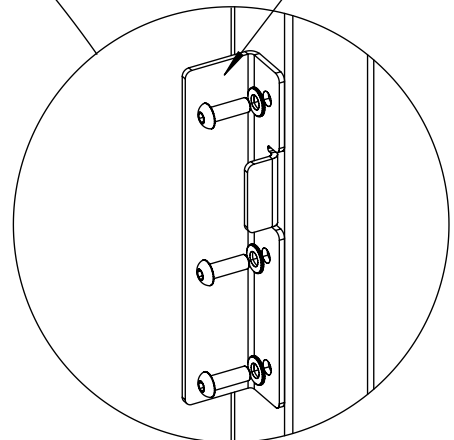
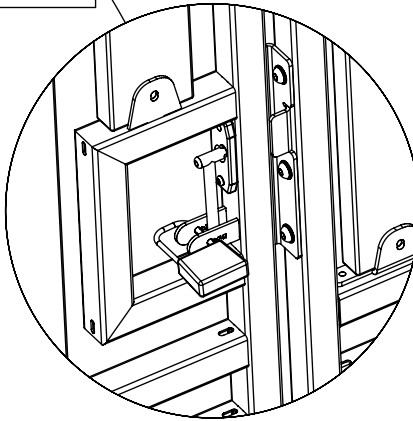


32x 8x25ikl

32x 8pp

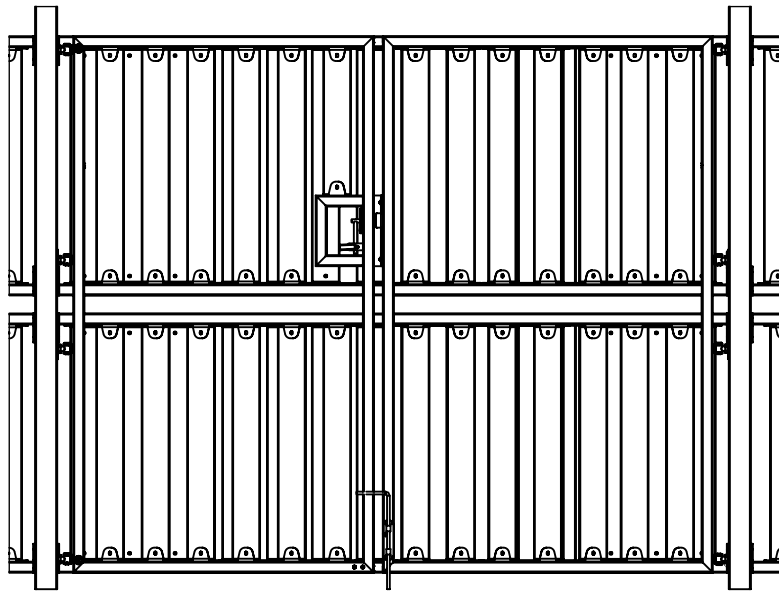
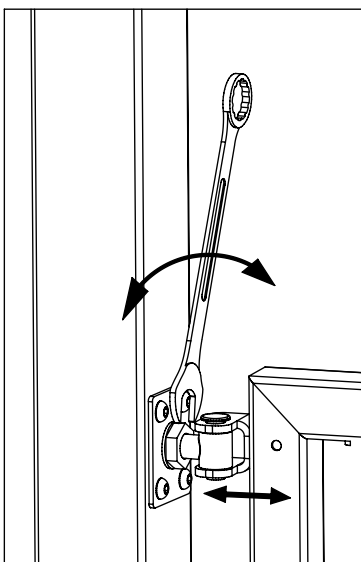
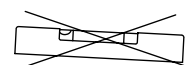
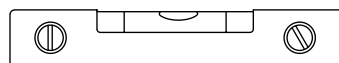
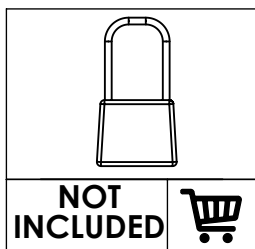


CUT 2-5 cm



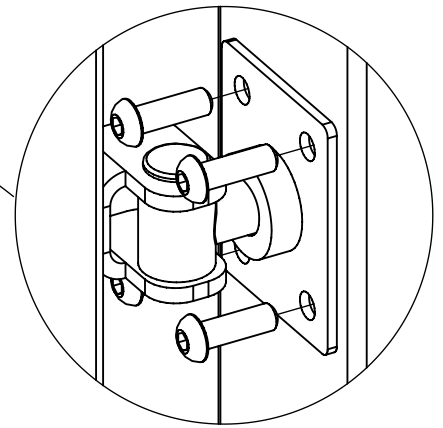
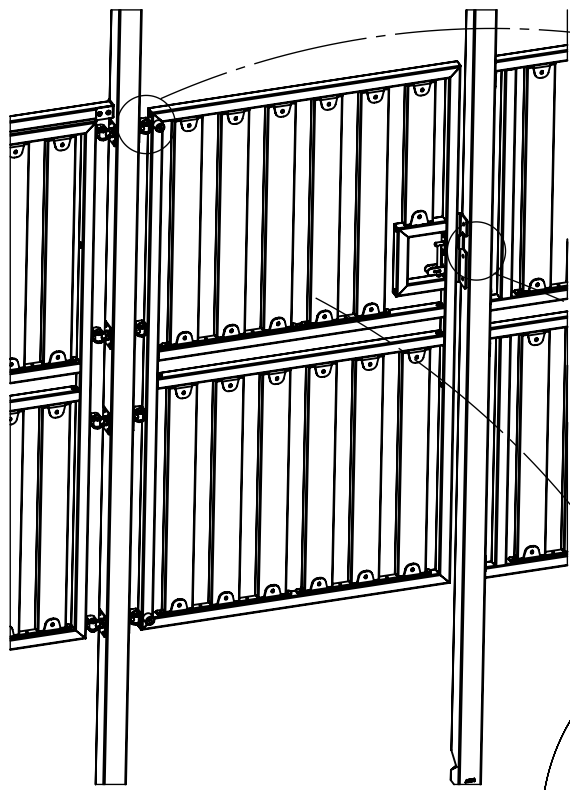
3x 10x25ikl

3x 10pp



[cm]

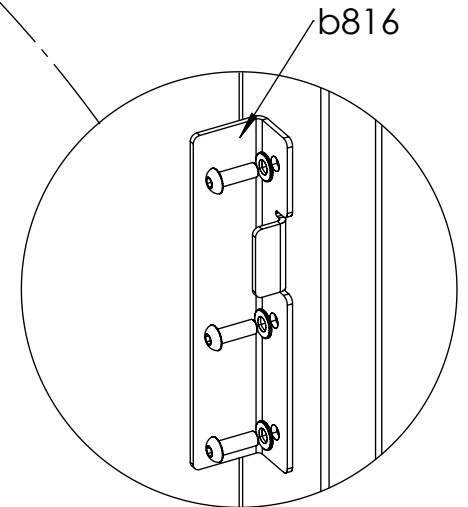
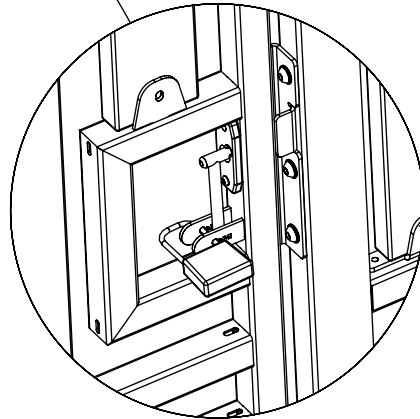
vinci play



16x **8x25ikl**

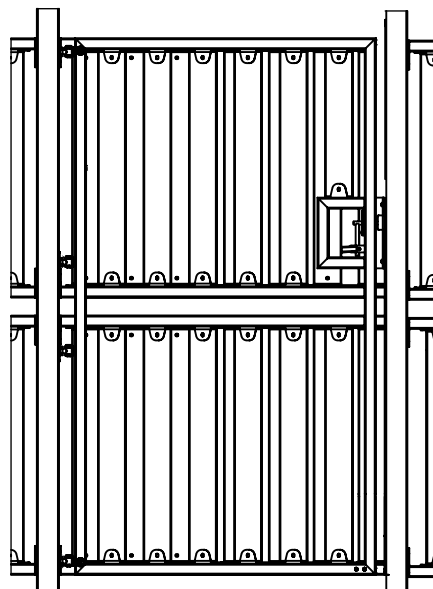
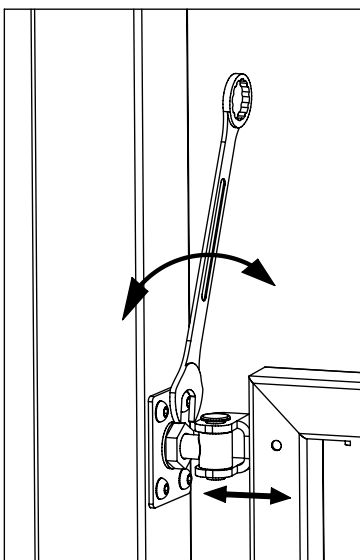
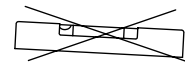
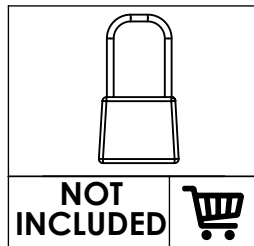
16x **8pp**

**24e032**



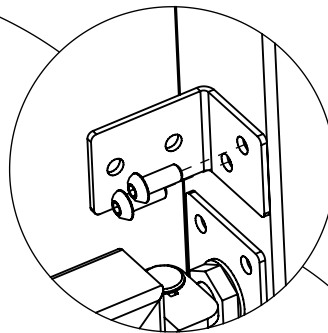
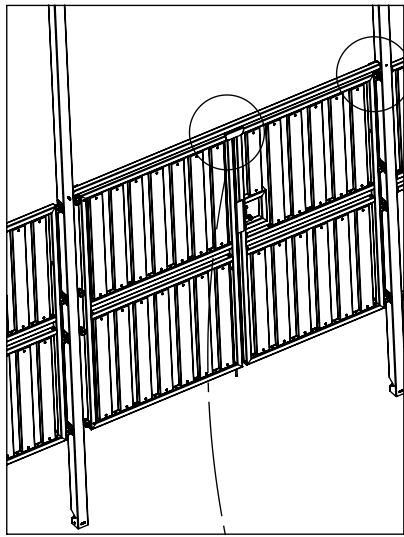
3x **10x25ikl**

3x **10pp**

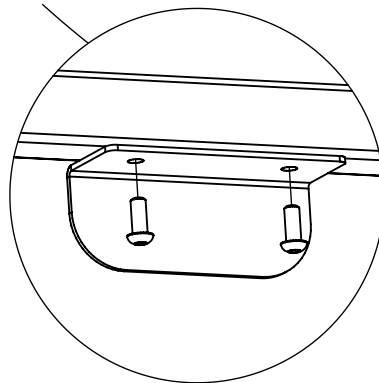
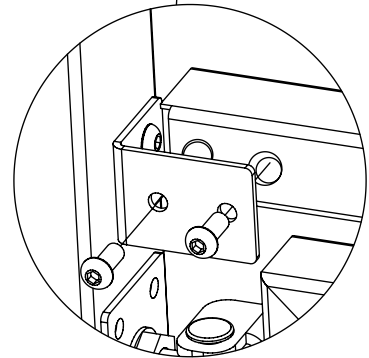


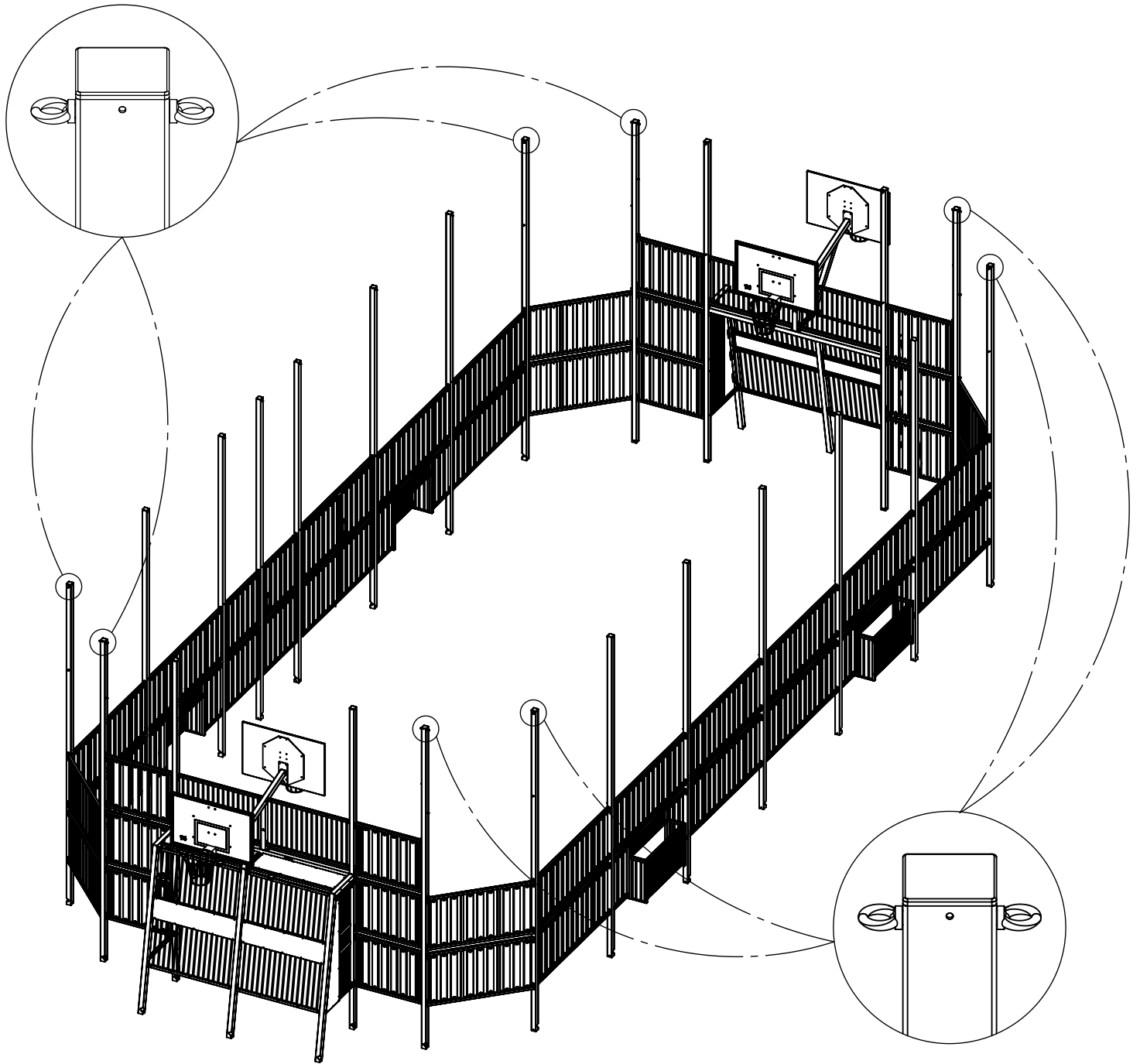
[cm]

vinci  
play



8x20iki





24e040

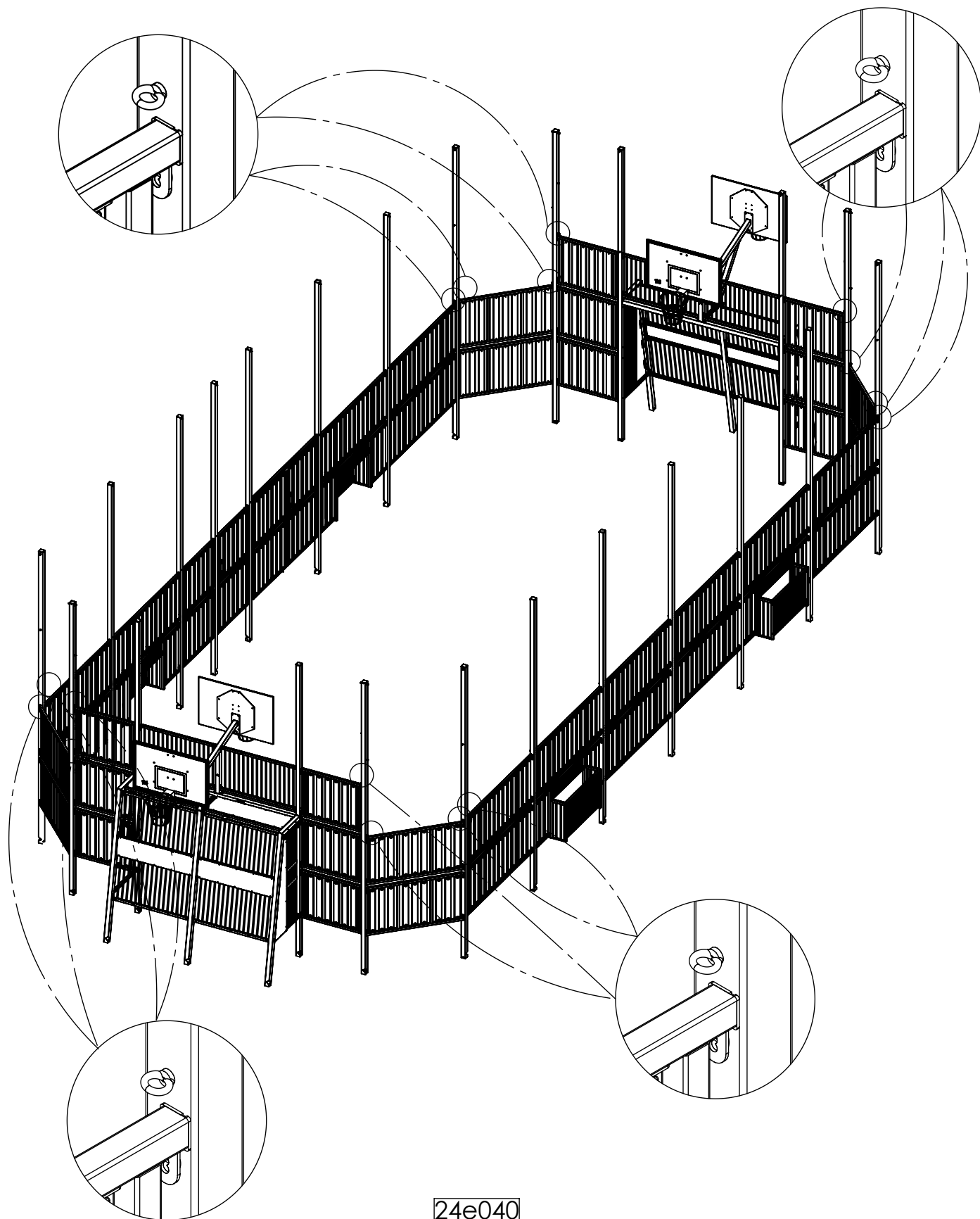
24e041

24e042

24e043

[cm]

vinci  
play



24e040

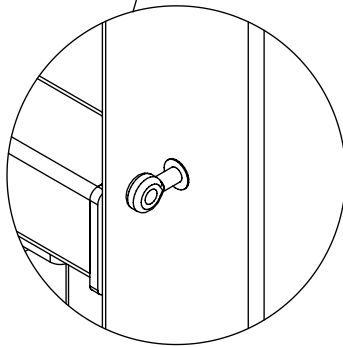
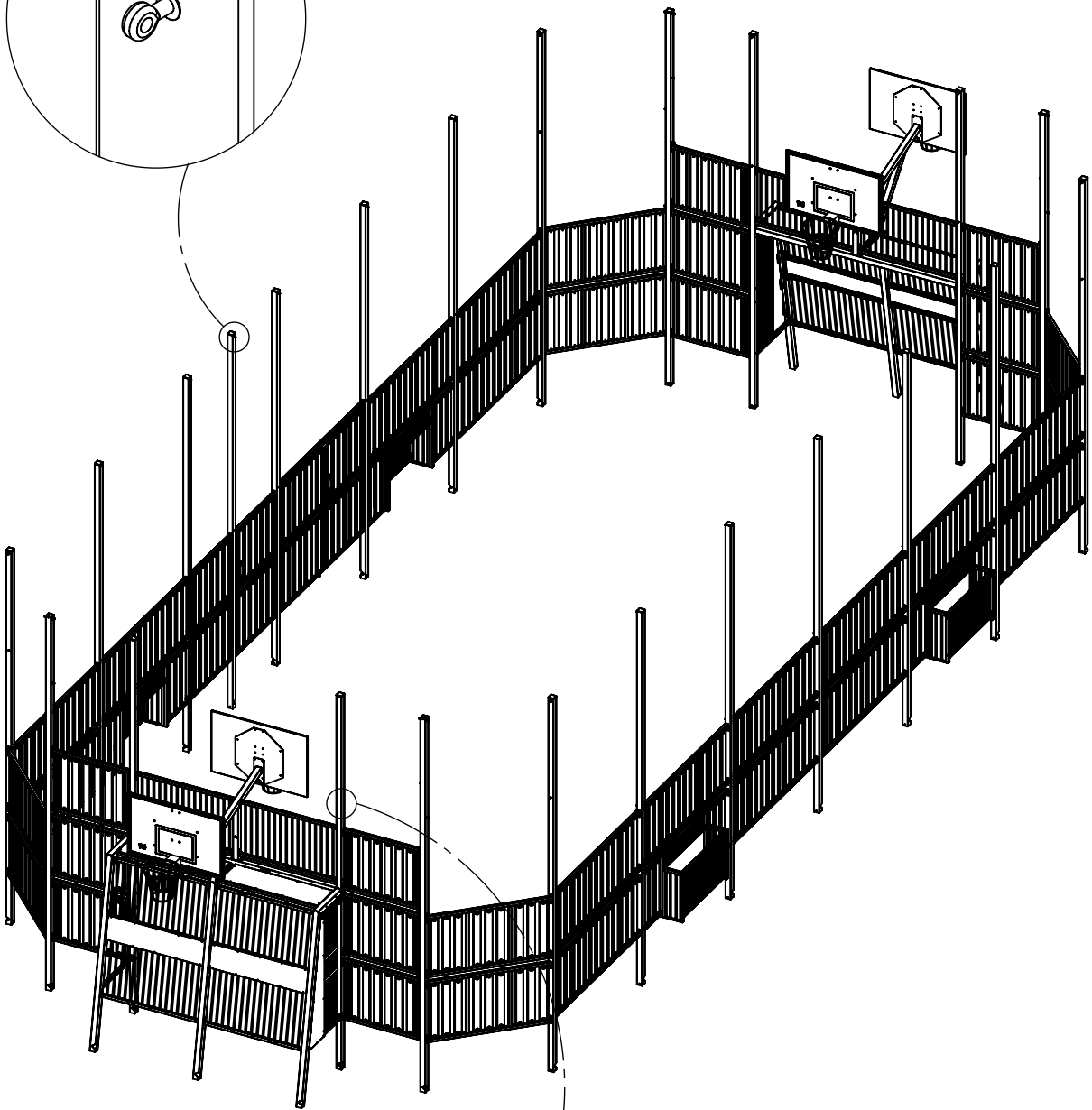
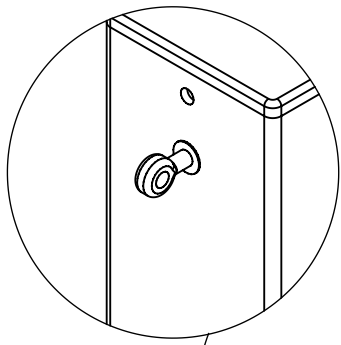
24e041

24e042

24e043

[cm]

vinci  
play



24e040

24e041

24e042

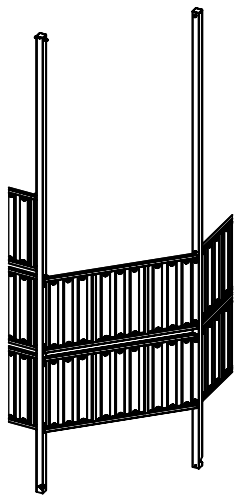
24e043

[cm]

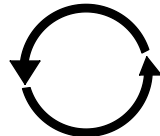
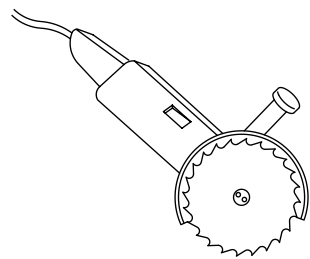
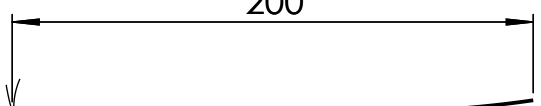
vinci  
play



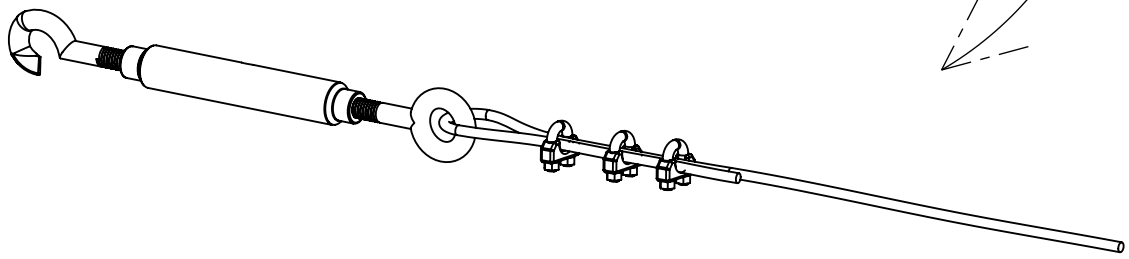
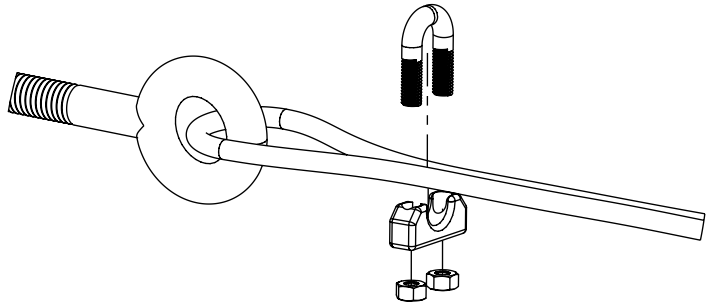
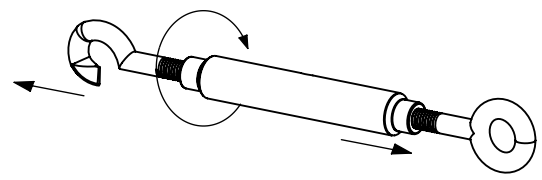
x4



200

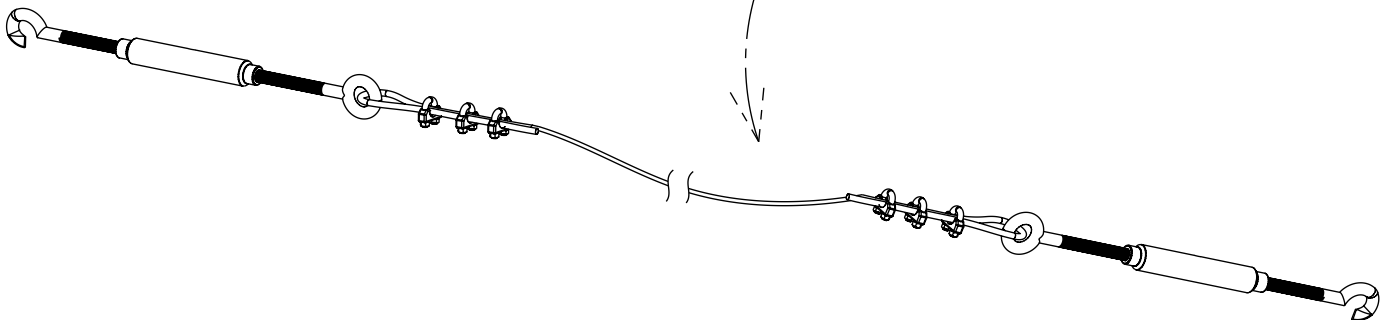
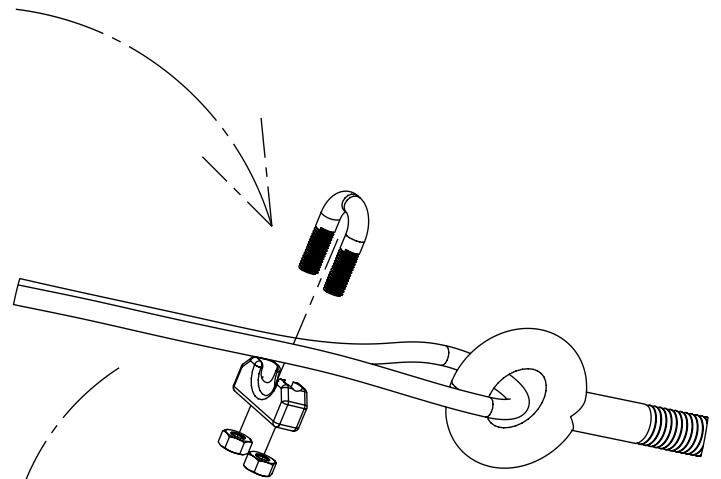
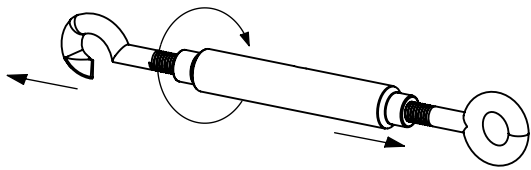
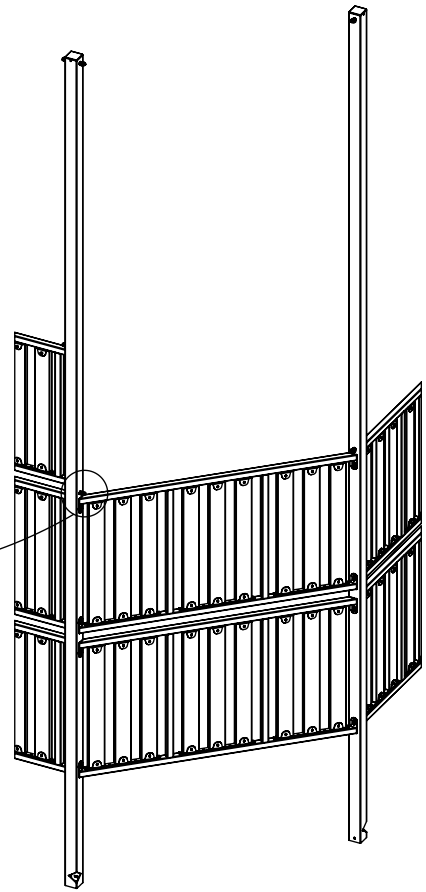
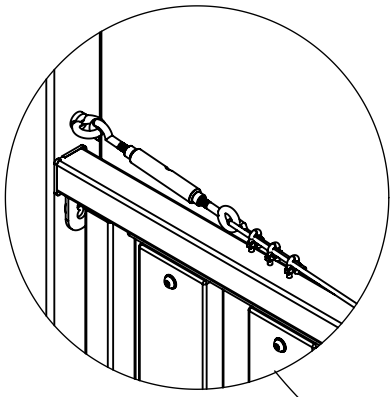


24e042



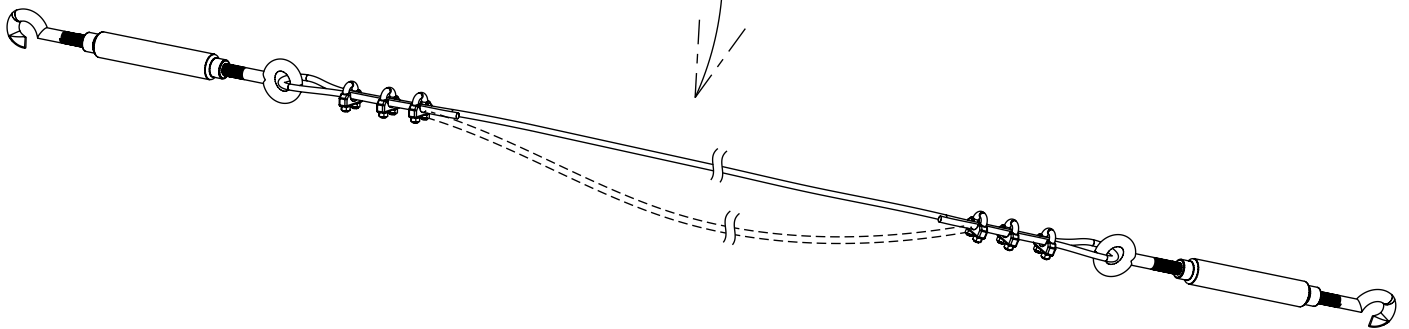
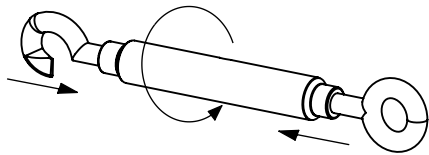
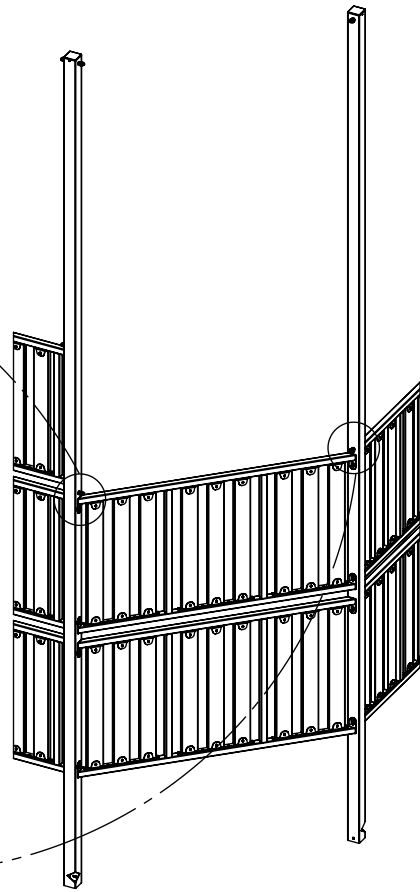
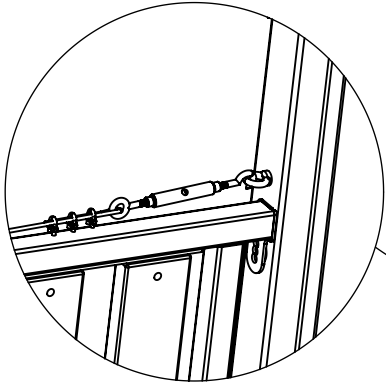
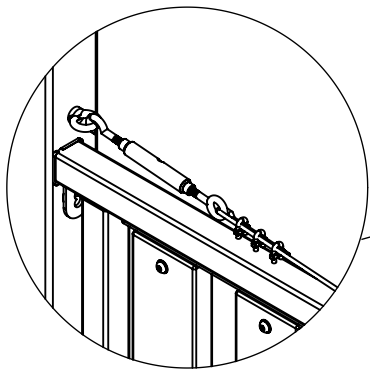
[cm]

vinci play



[cm]

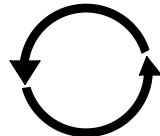
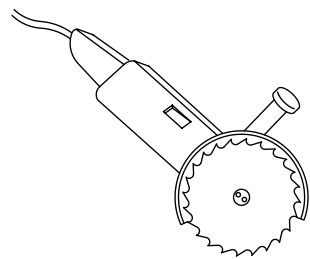
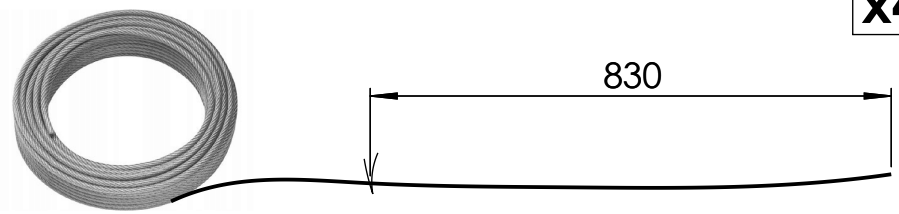
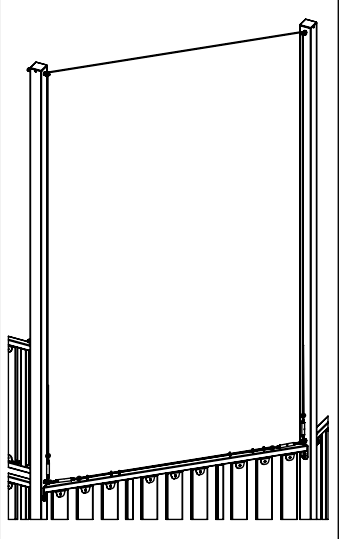
vinci  
play



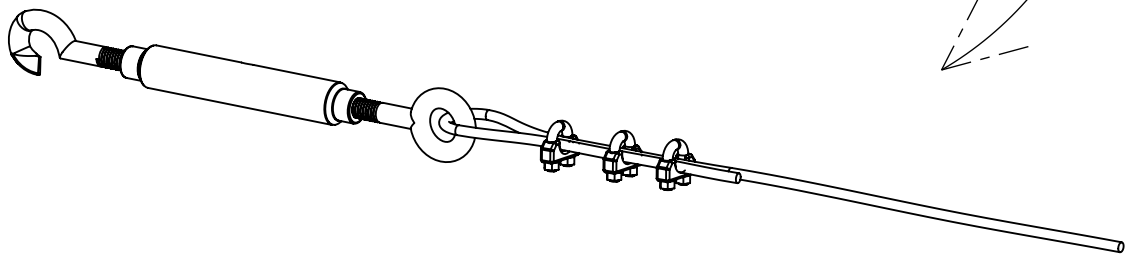
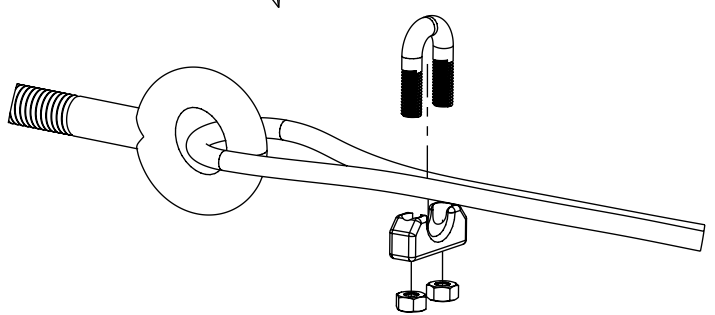
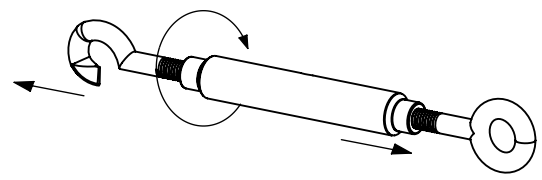
[cm]

vinci  
play

x4

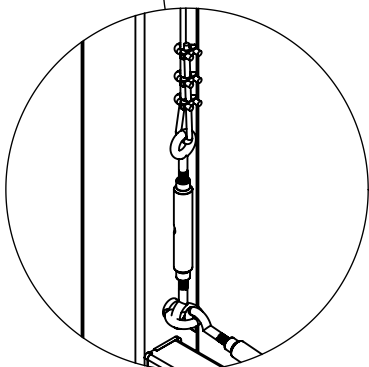
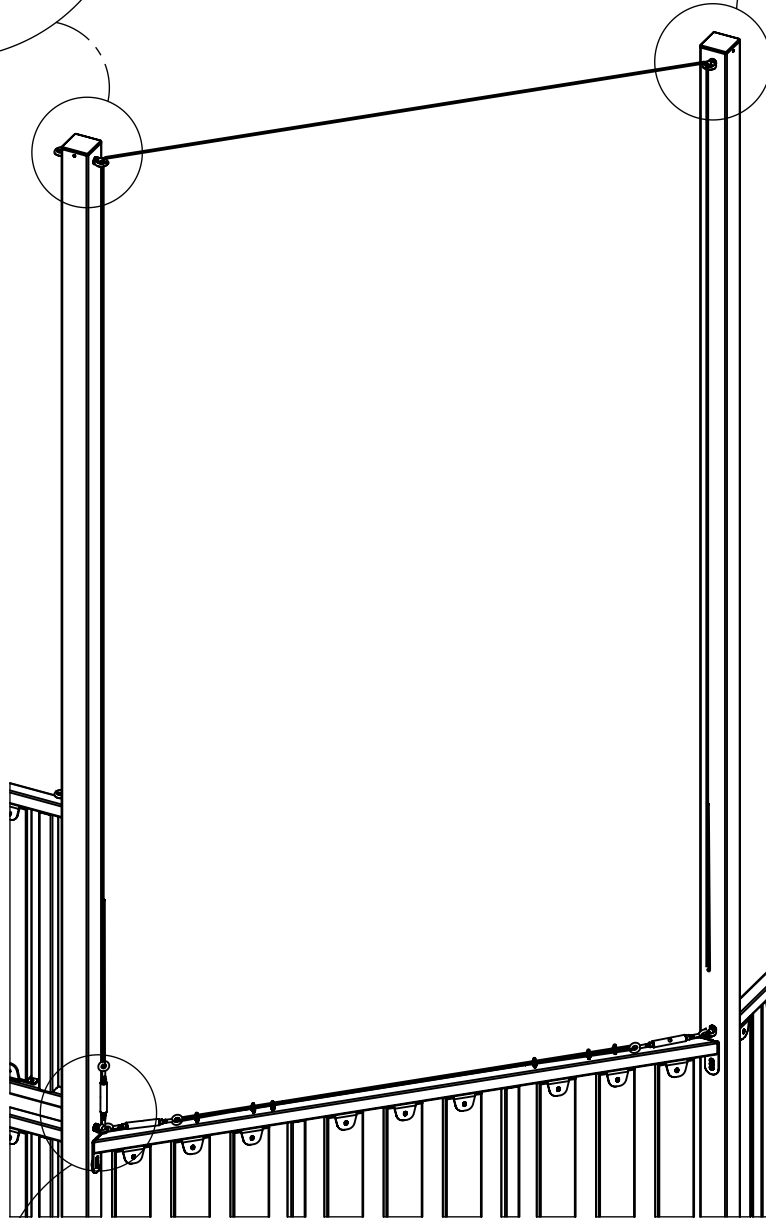
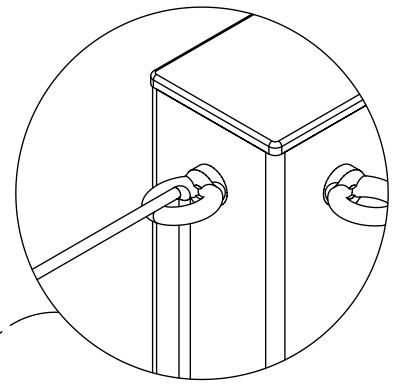
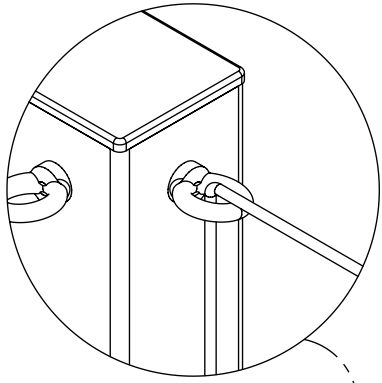


24e042



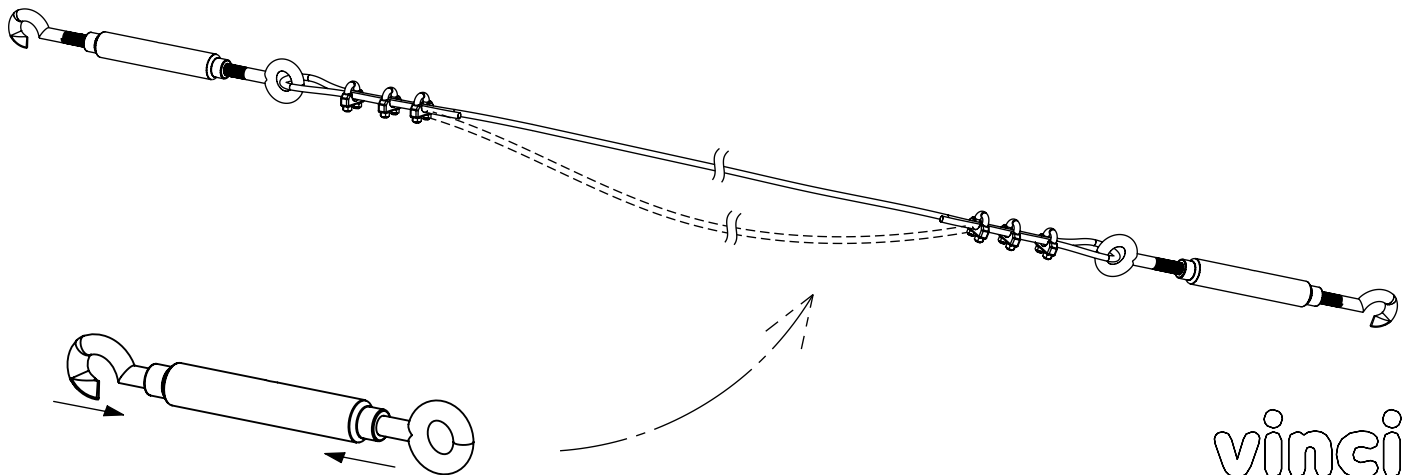
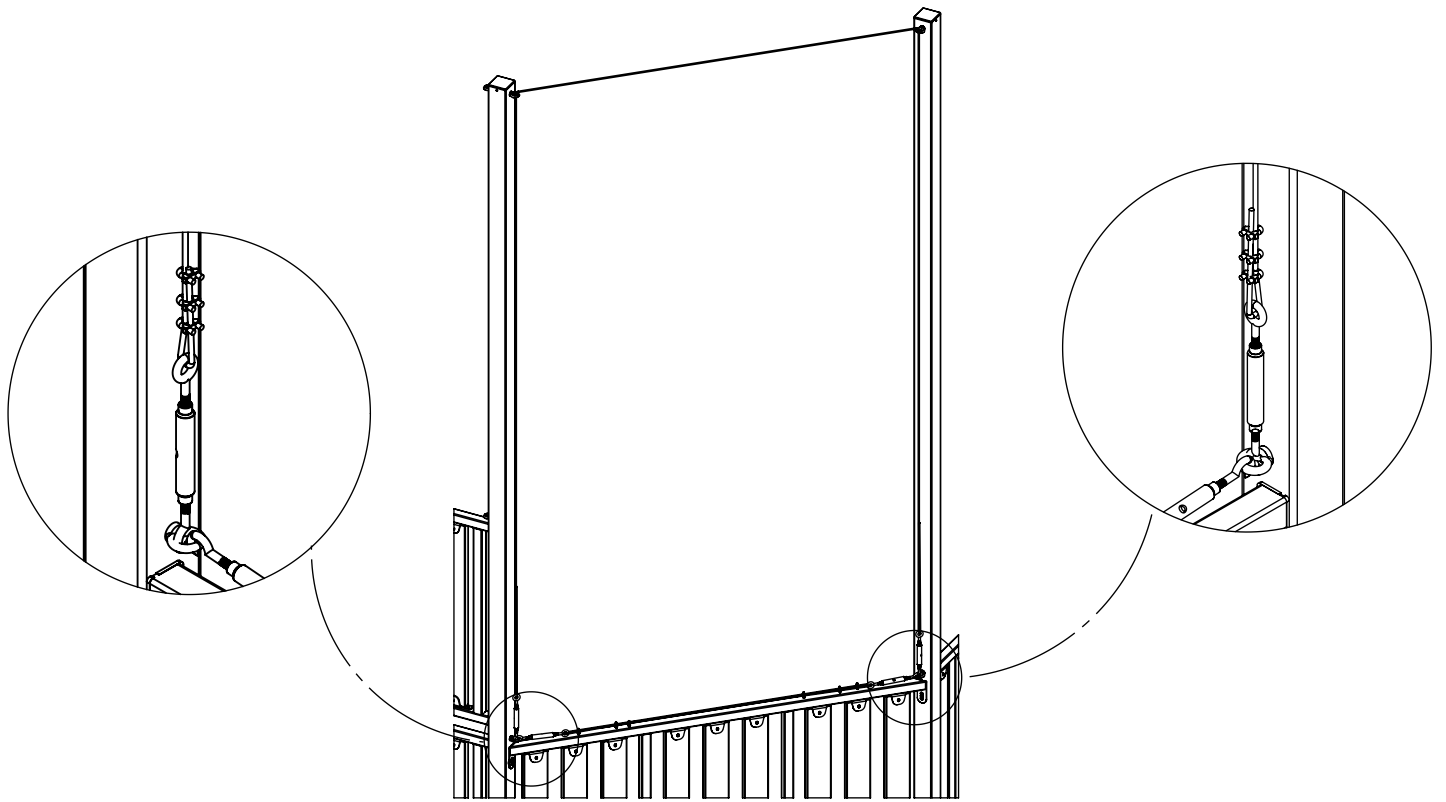
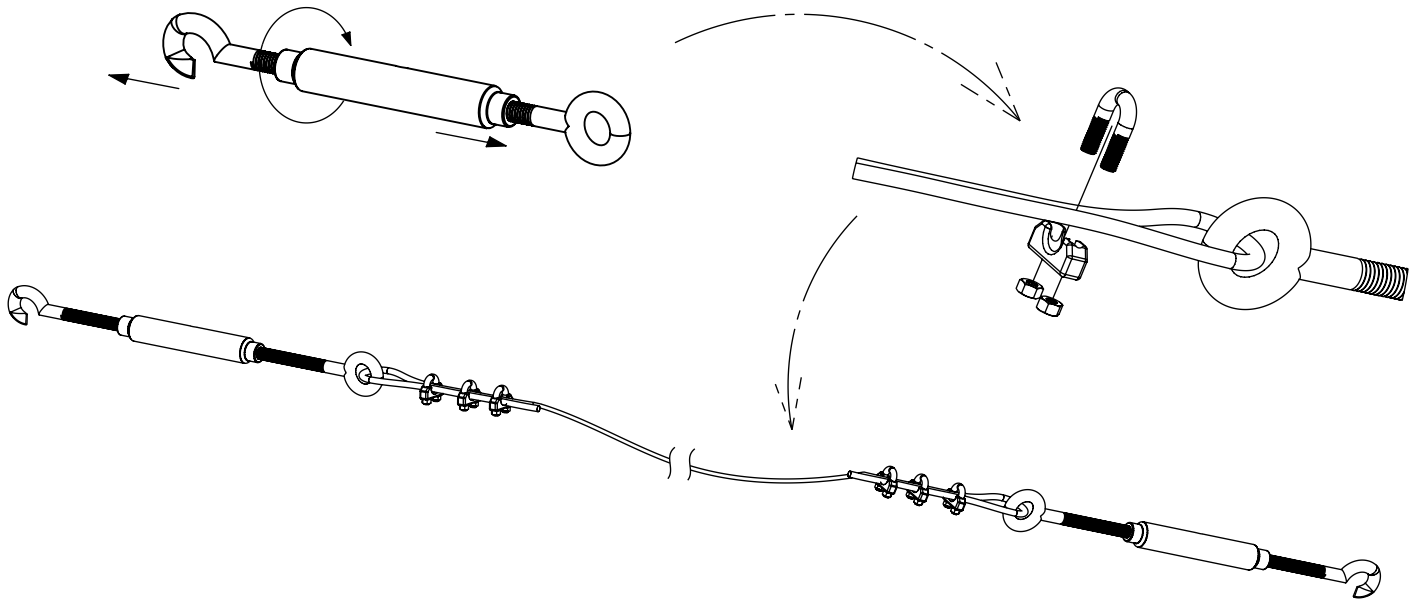
[cm]

vinci play



[cm]

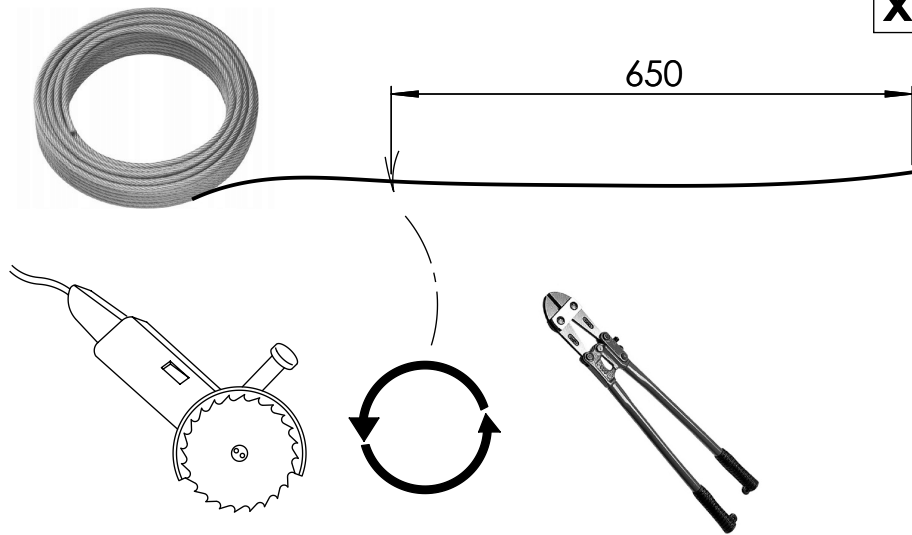
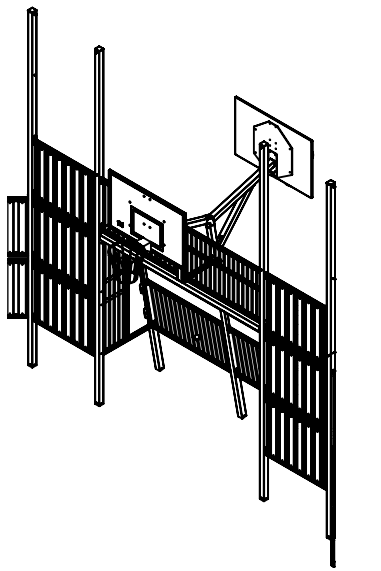
vinci  
play



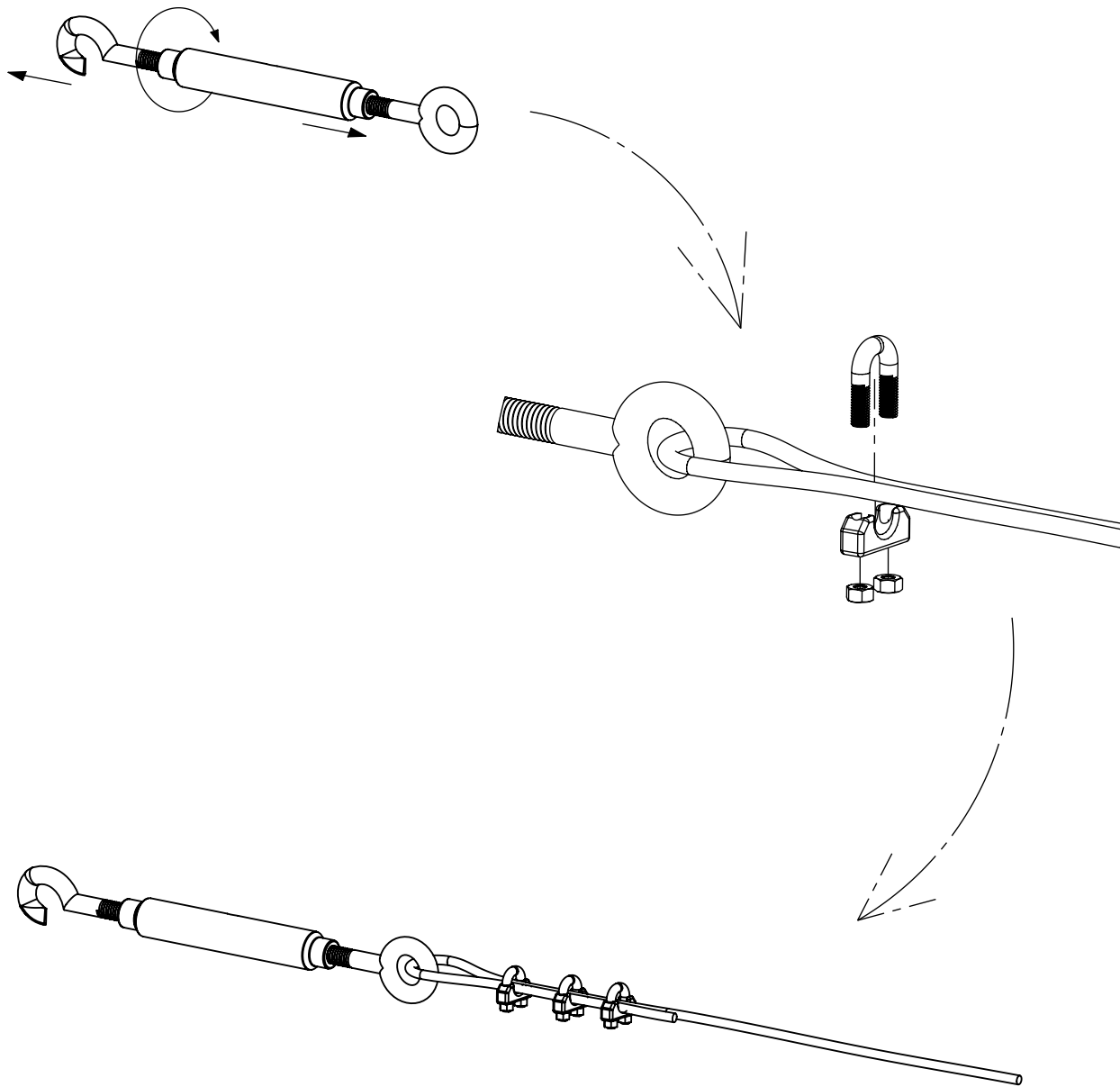
[cm]

vinci  
play

x2

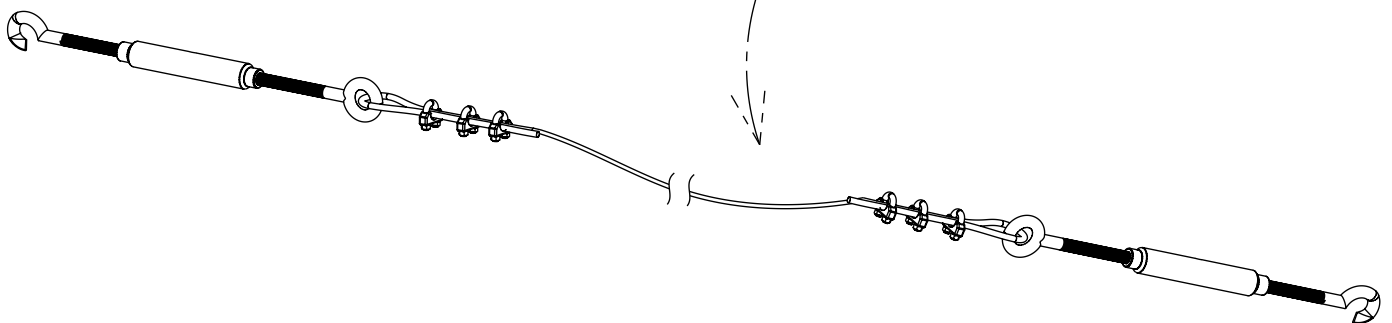
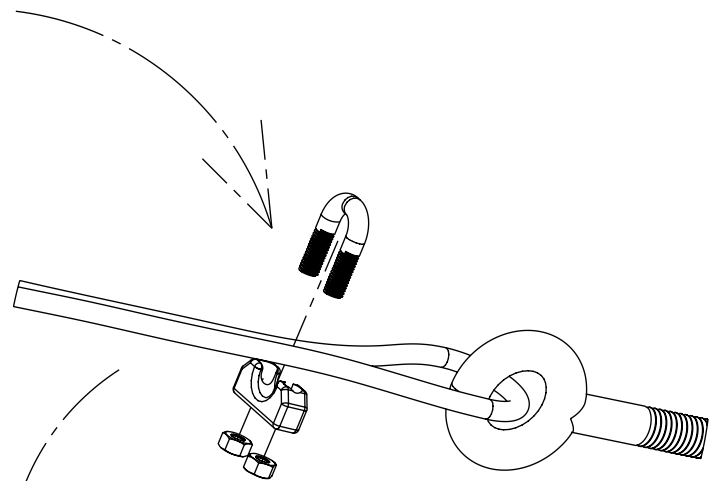
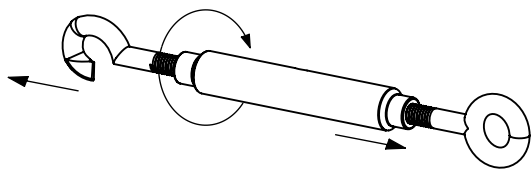
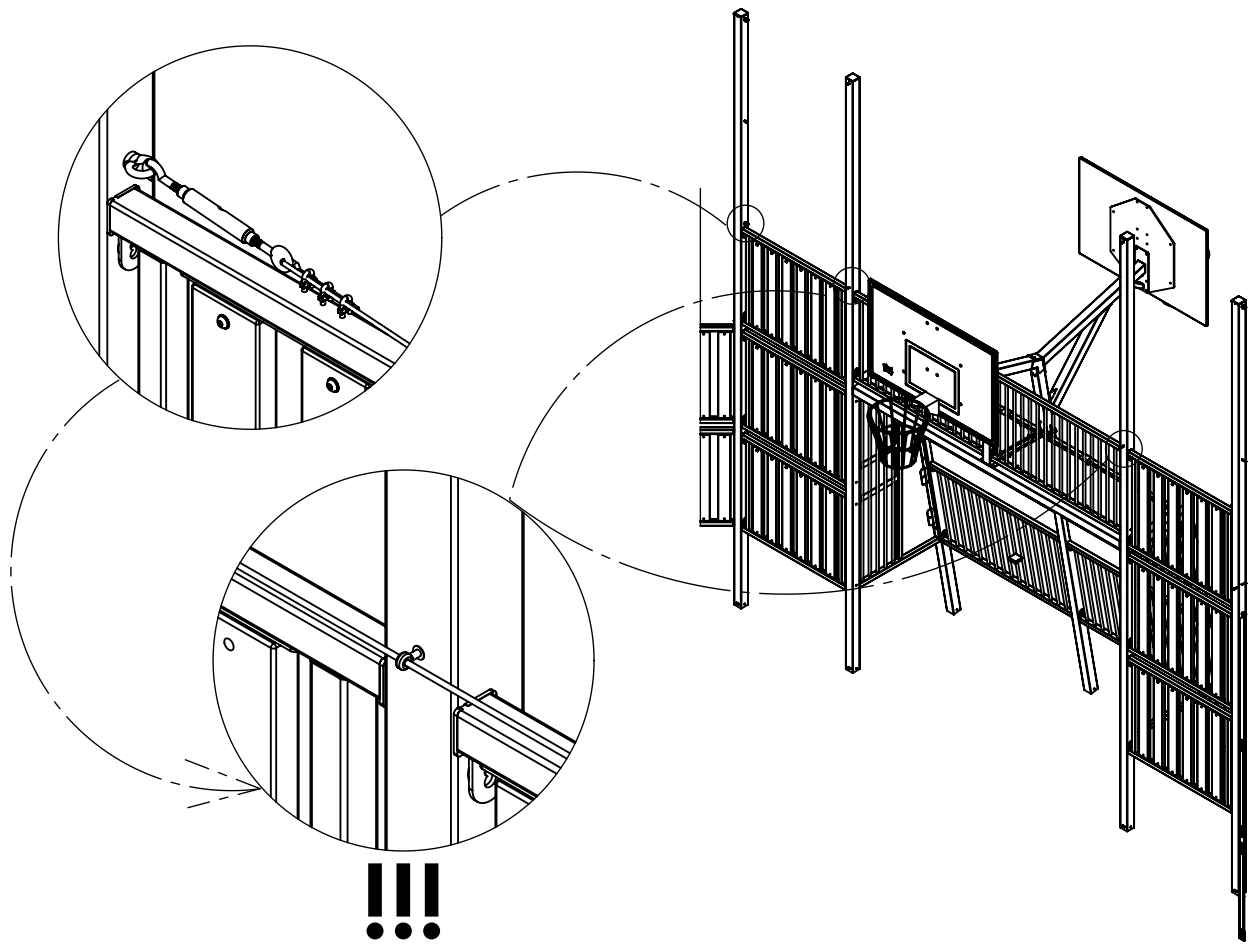


24e043



[cm]

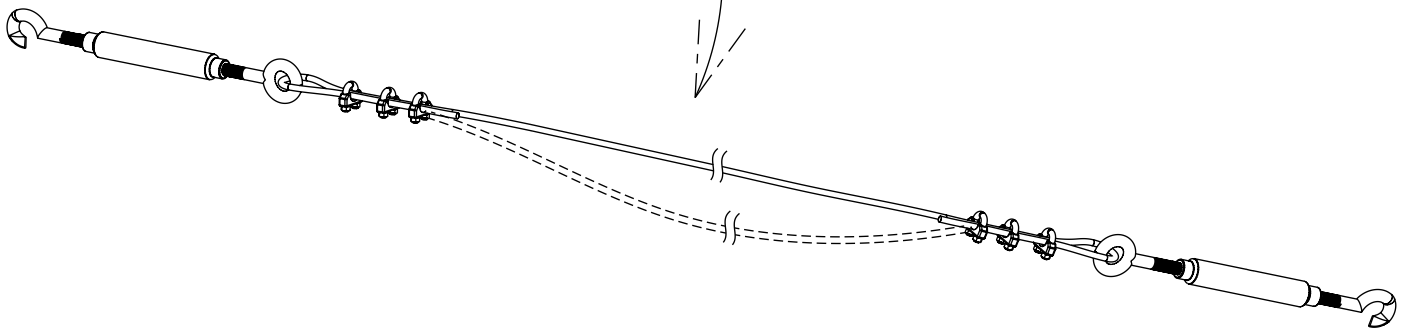
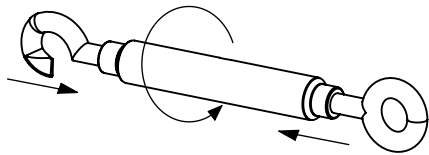
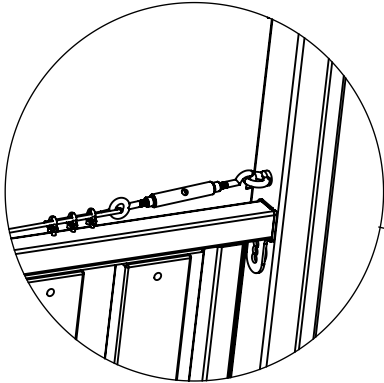
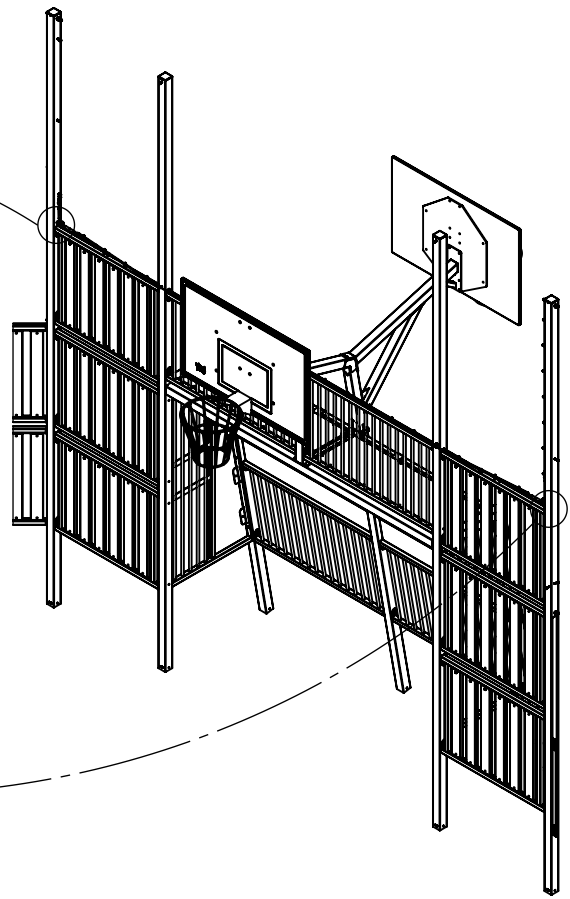
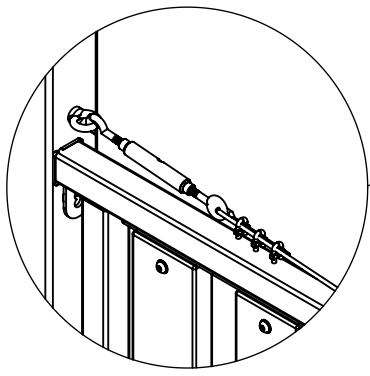
vinci  
play



[cm]

vinci  
play

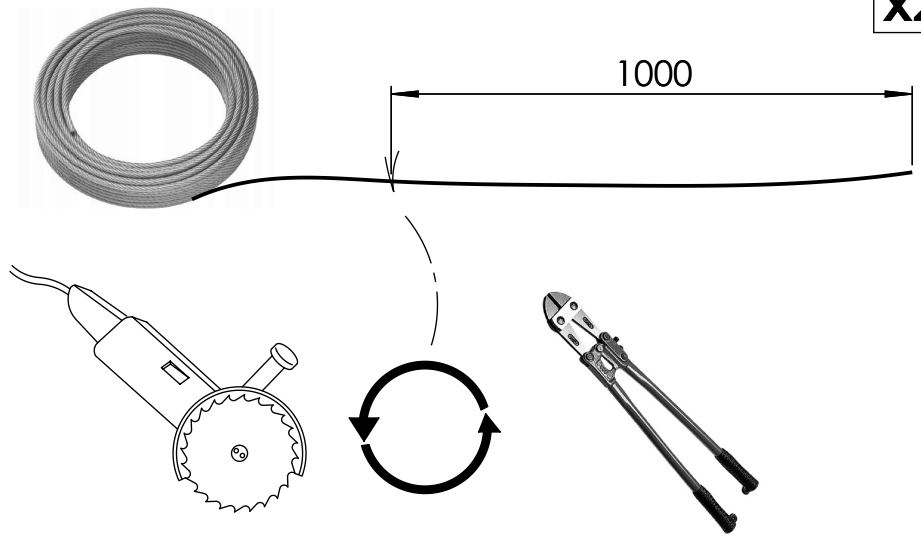
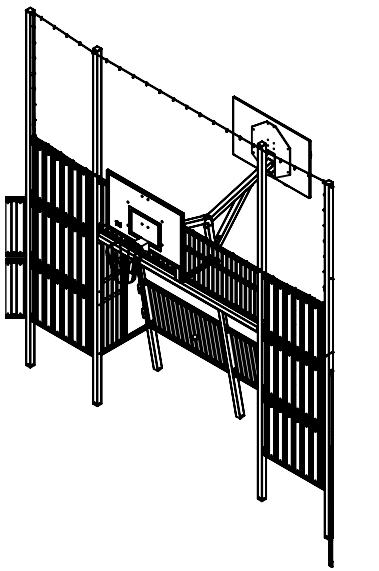




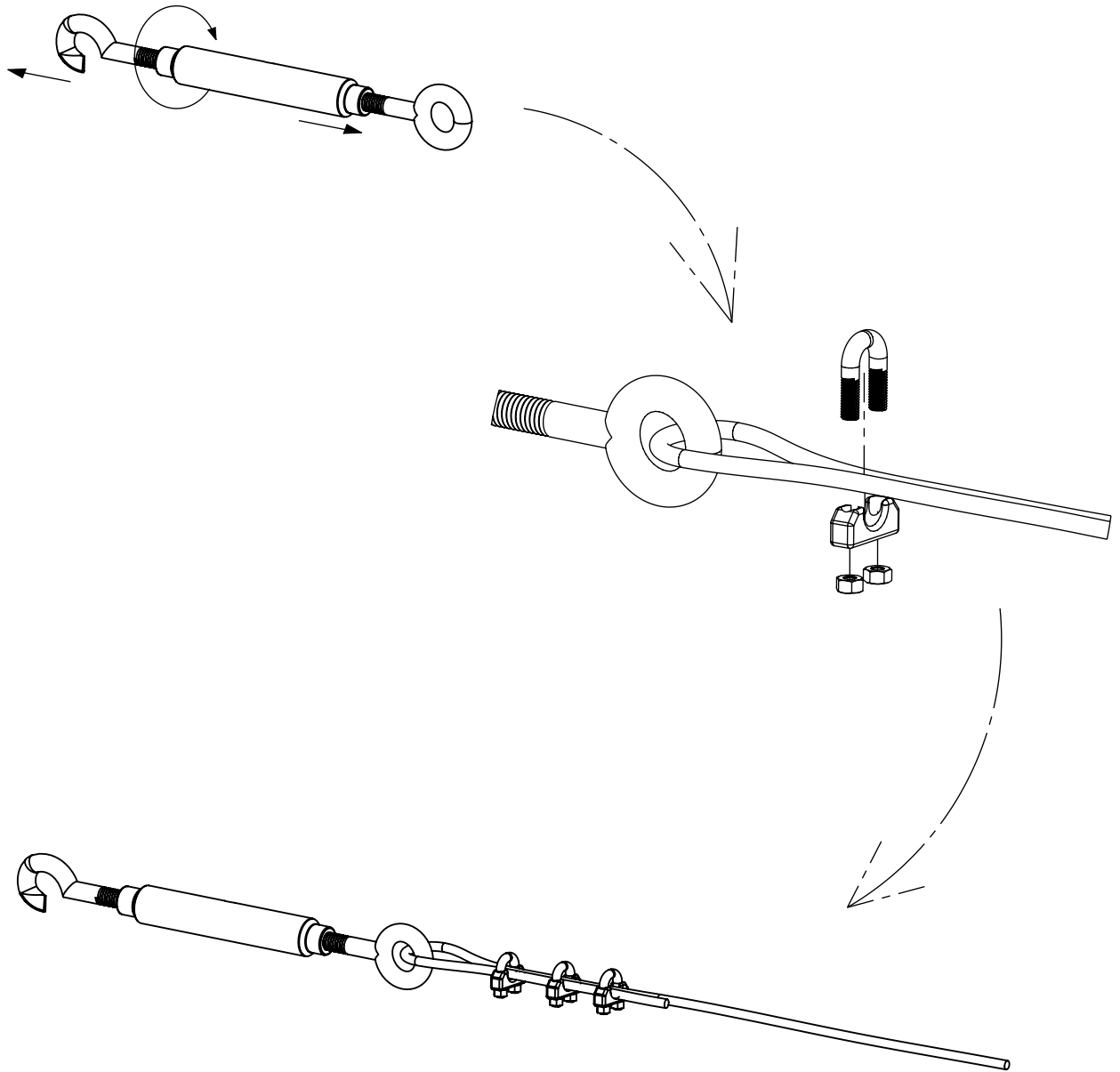
[cm]

vinci  
play

x2

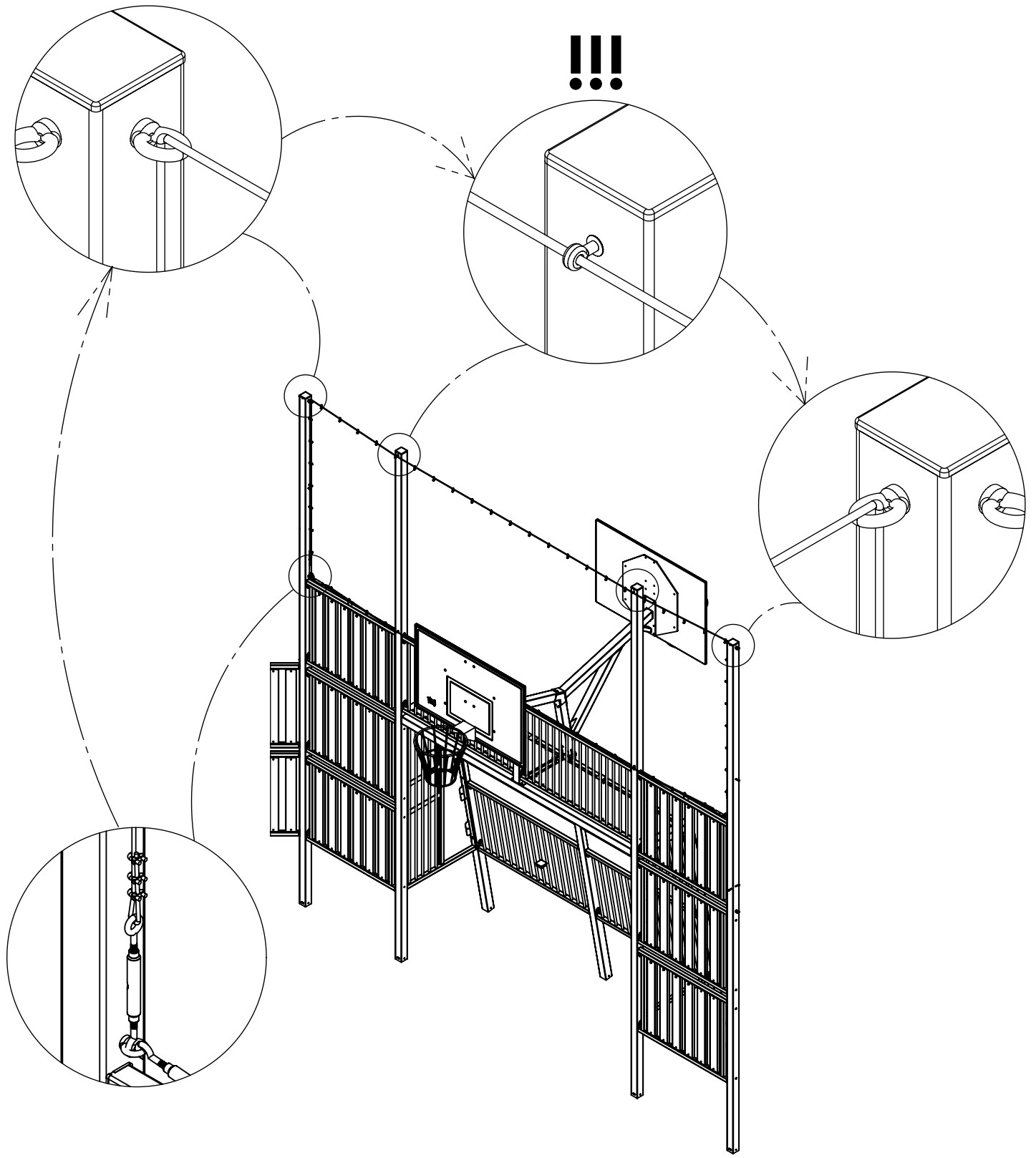


24e043



[cm]

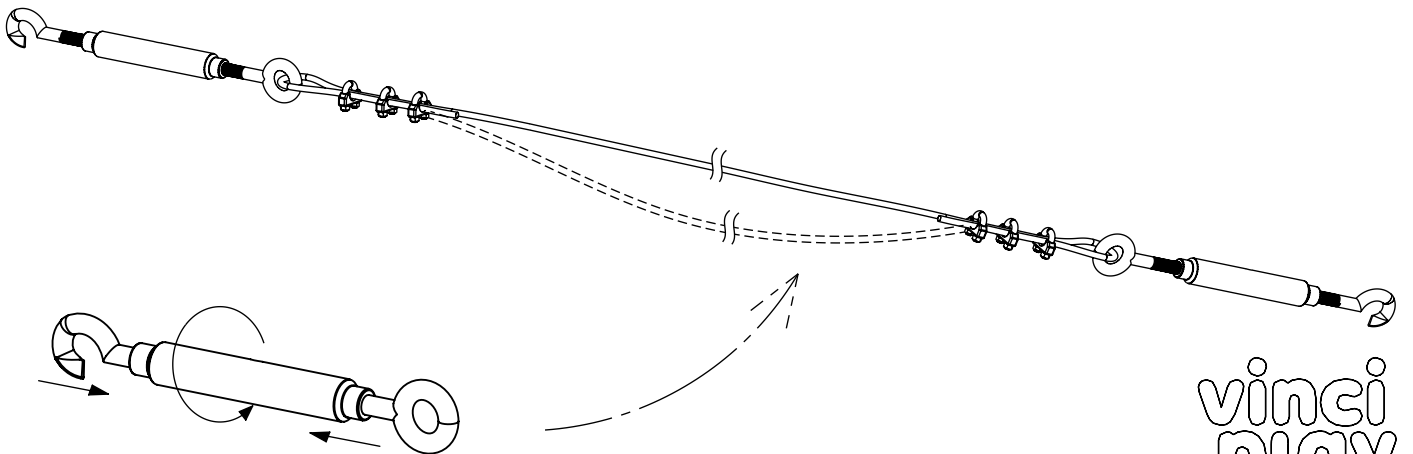
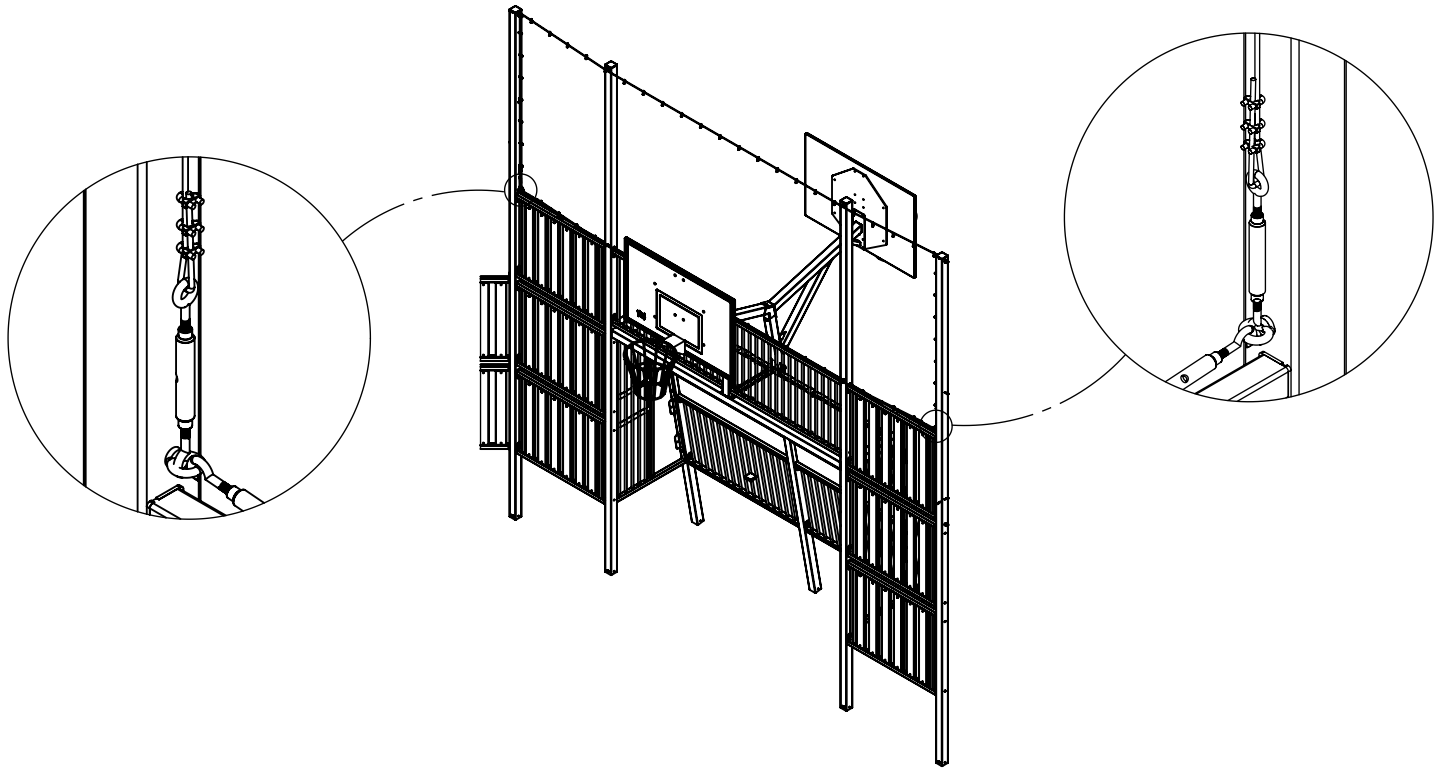
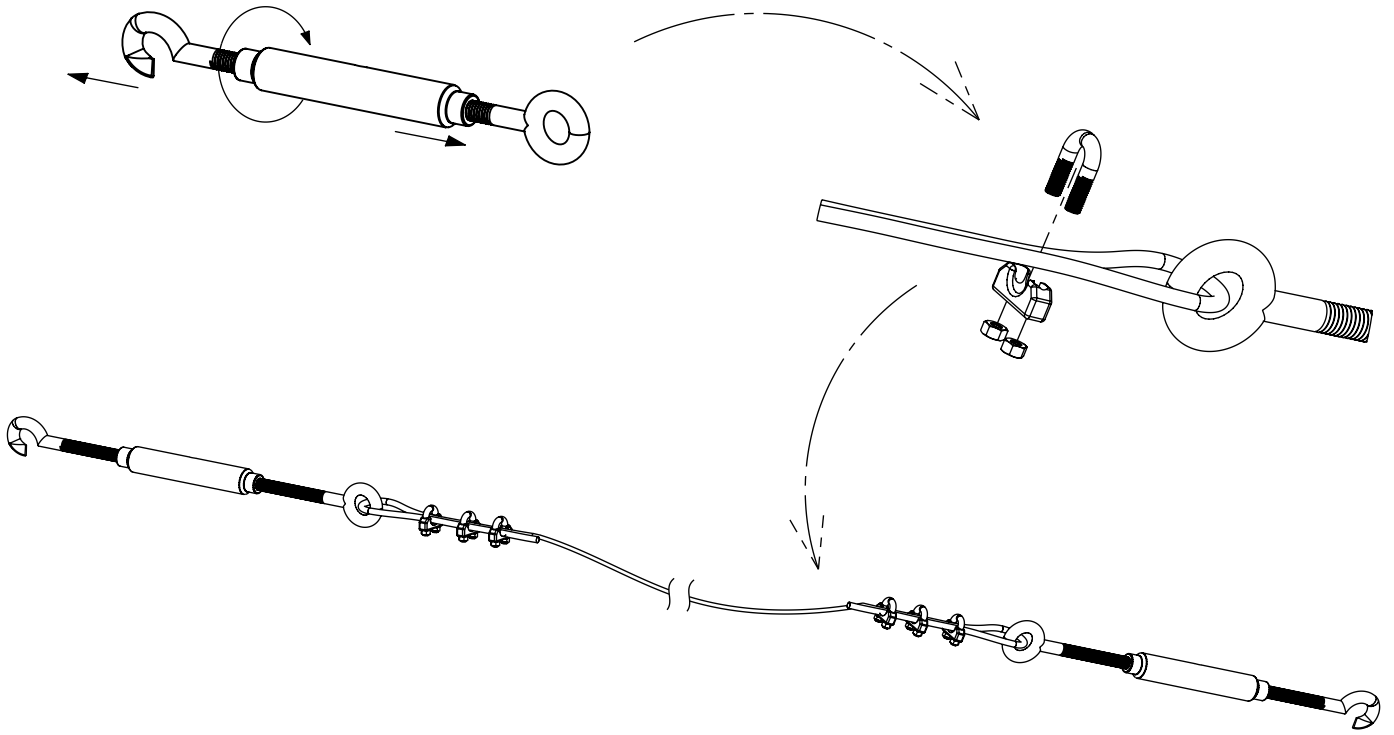
vinci  
play



!!!

[cm]

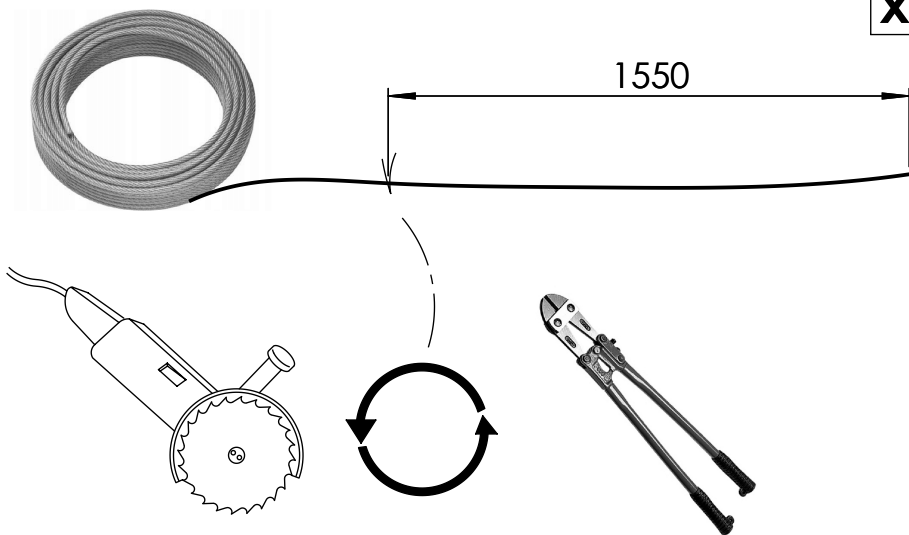
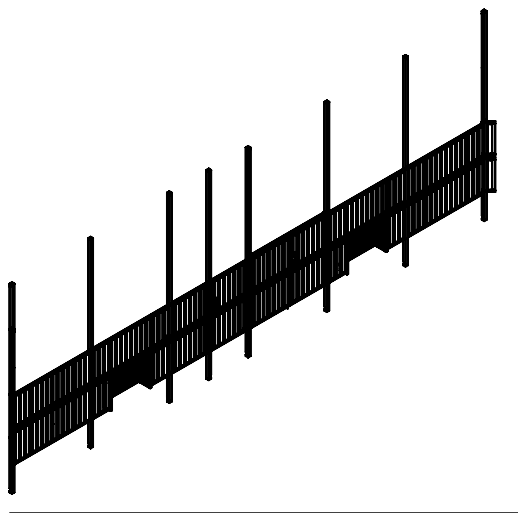
vinci  
play



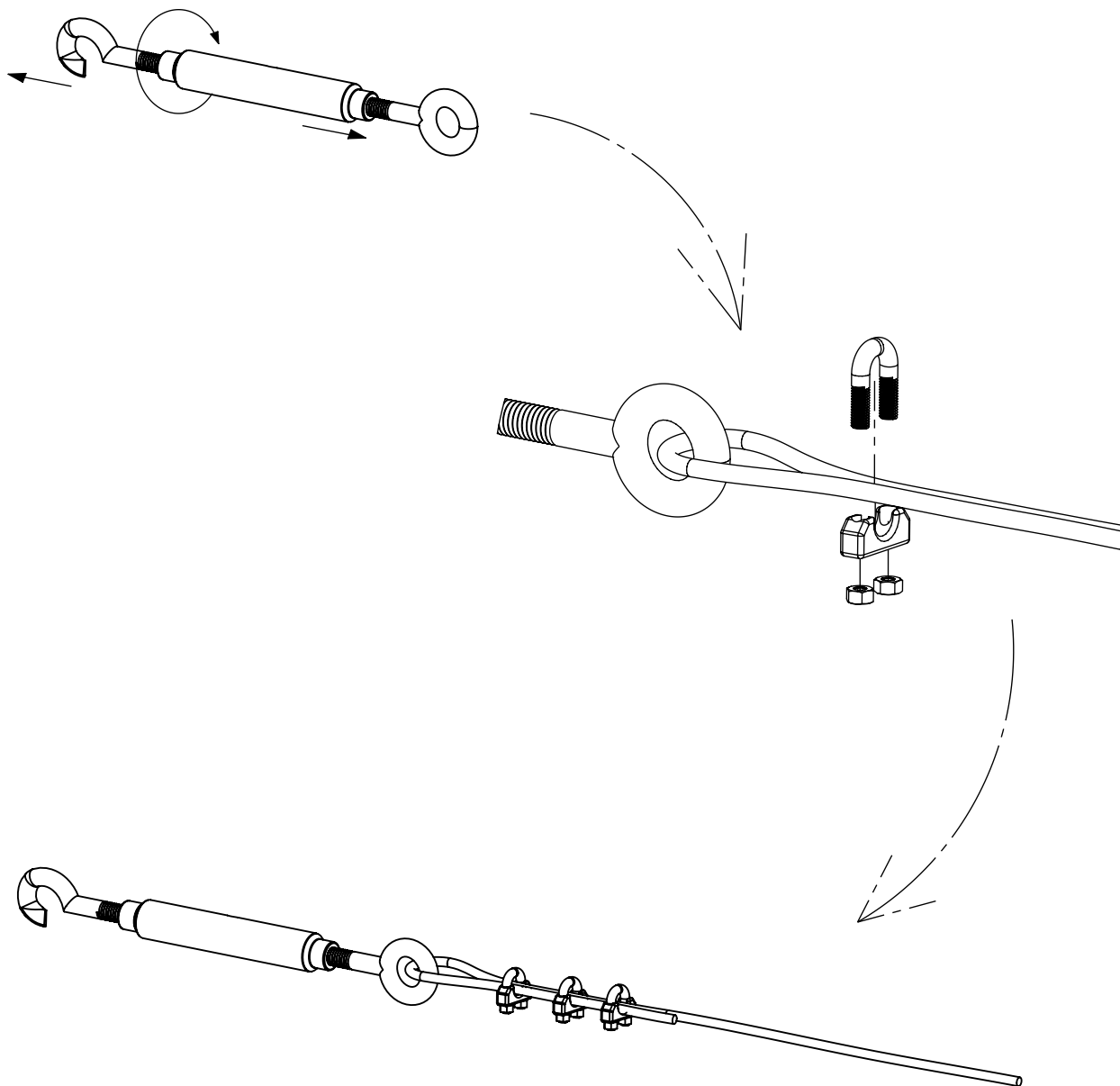
[cm]

vinci  
play

x2

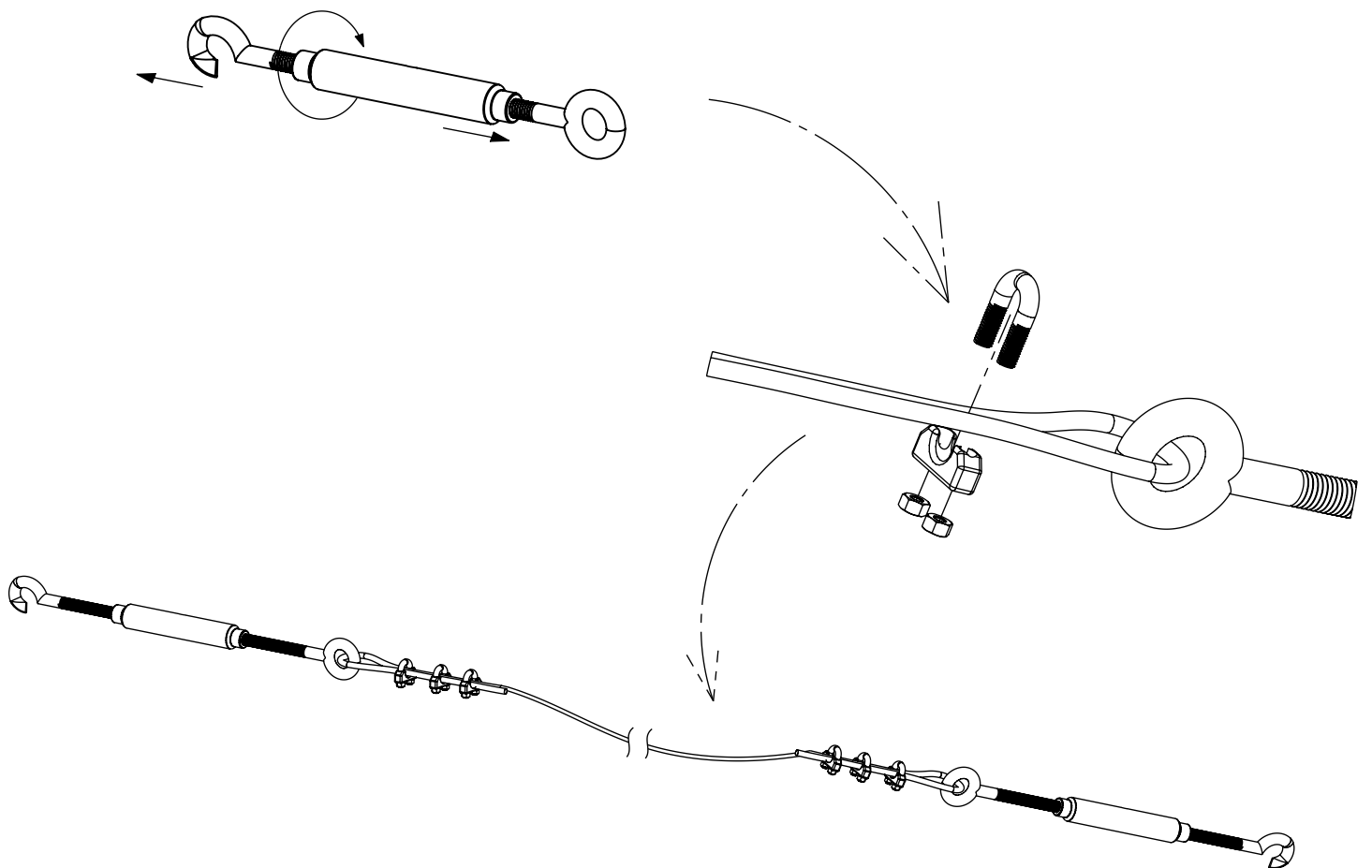
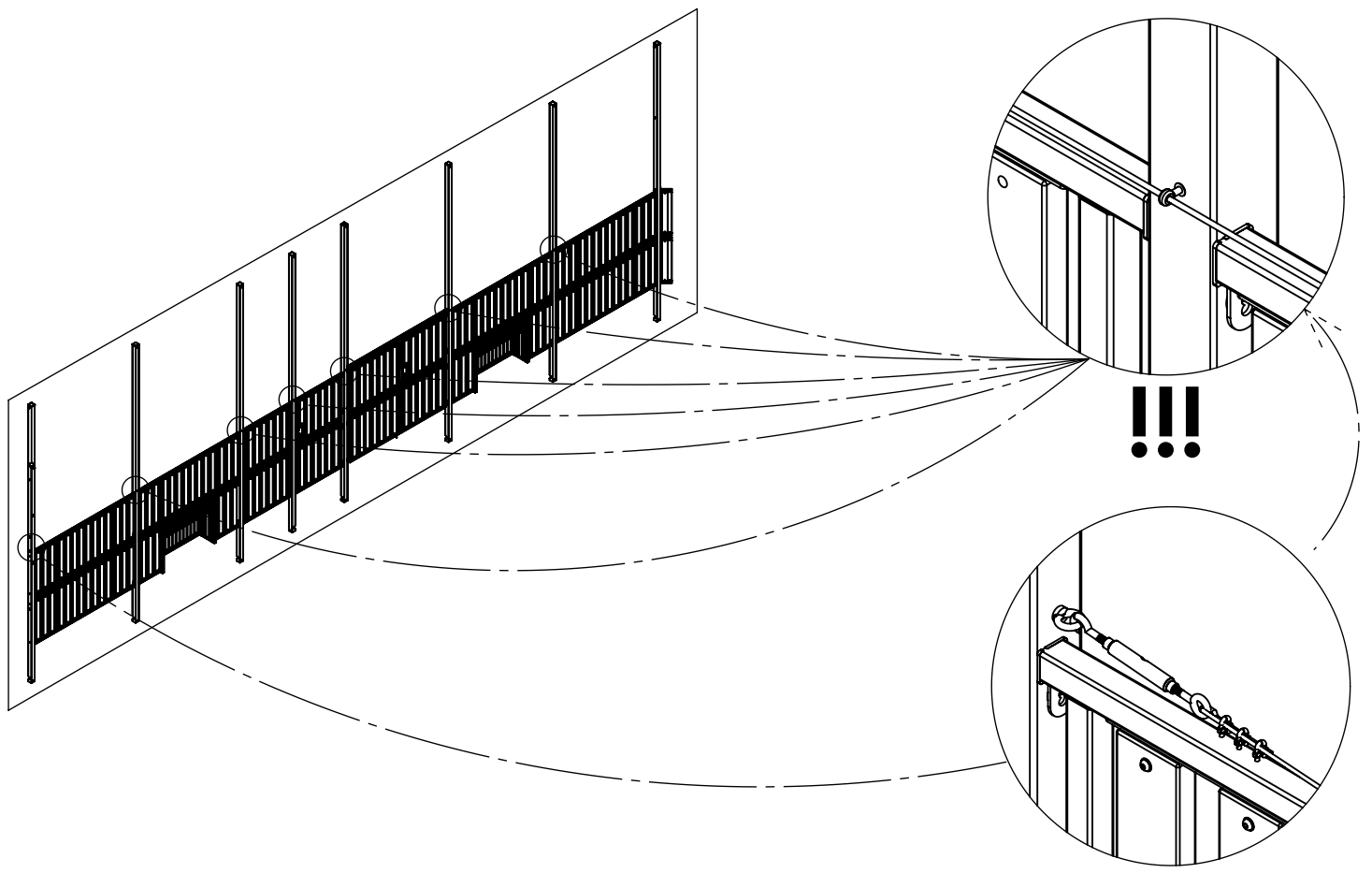


24e041



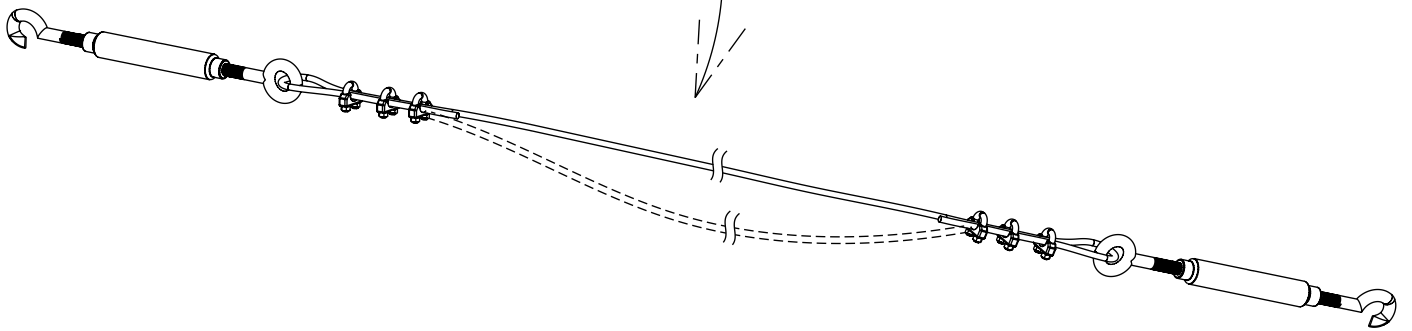
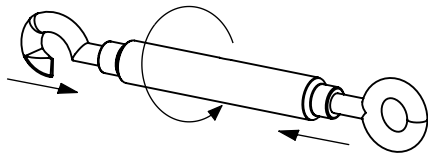
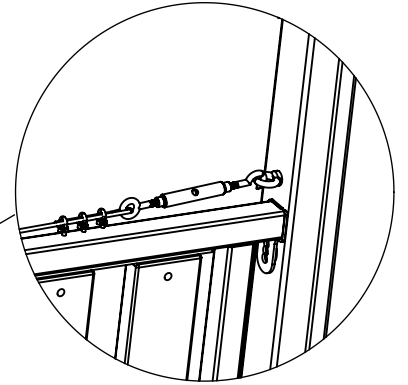
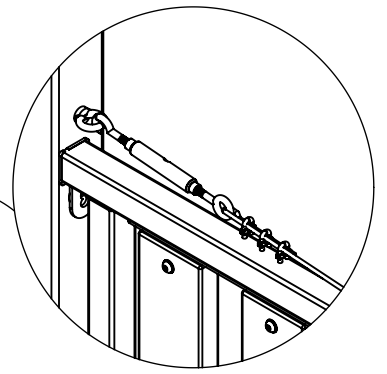
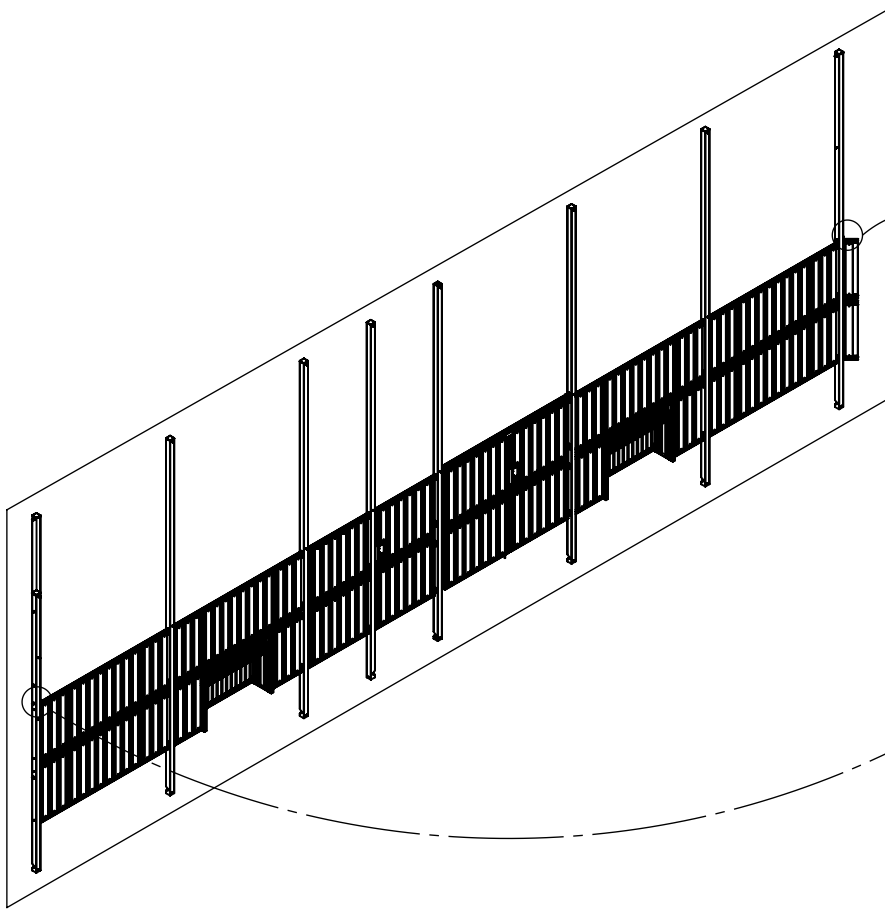
[cm]

vinci  
play



[cm]

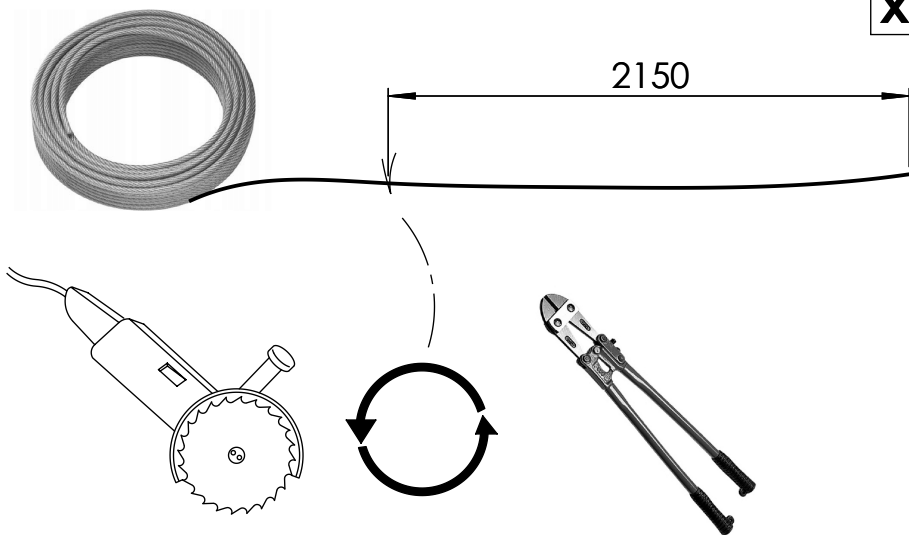
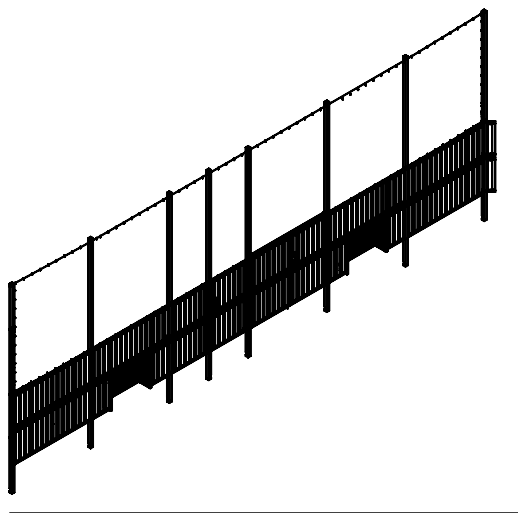
vinci  
play



[cm]

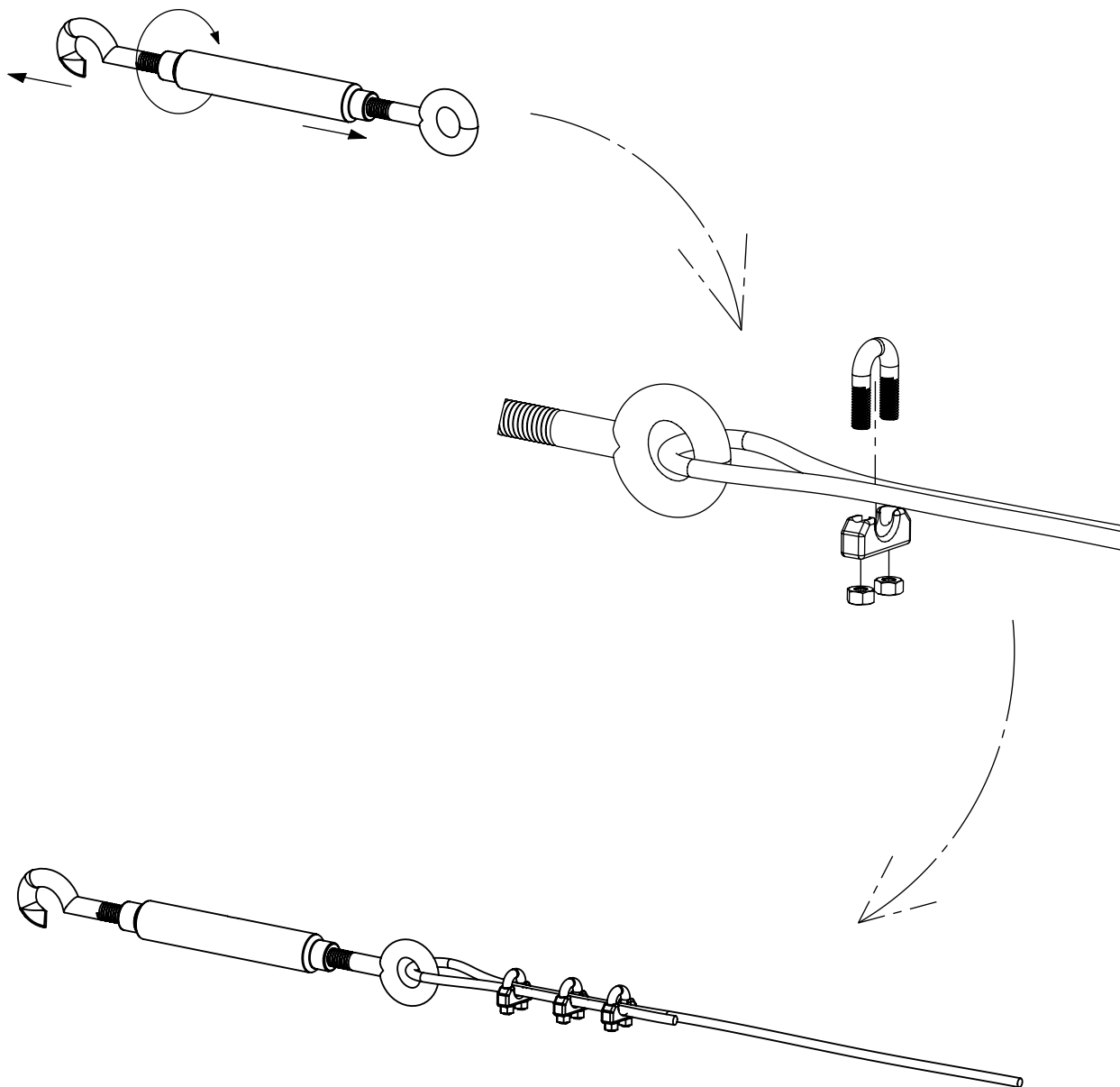
vinci  
play

x2



24e040

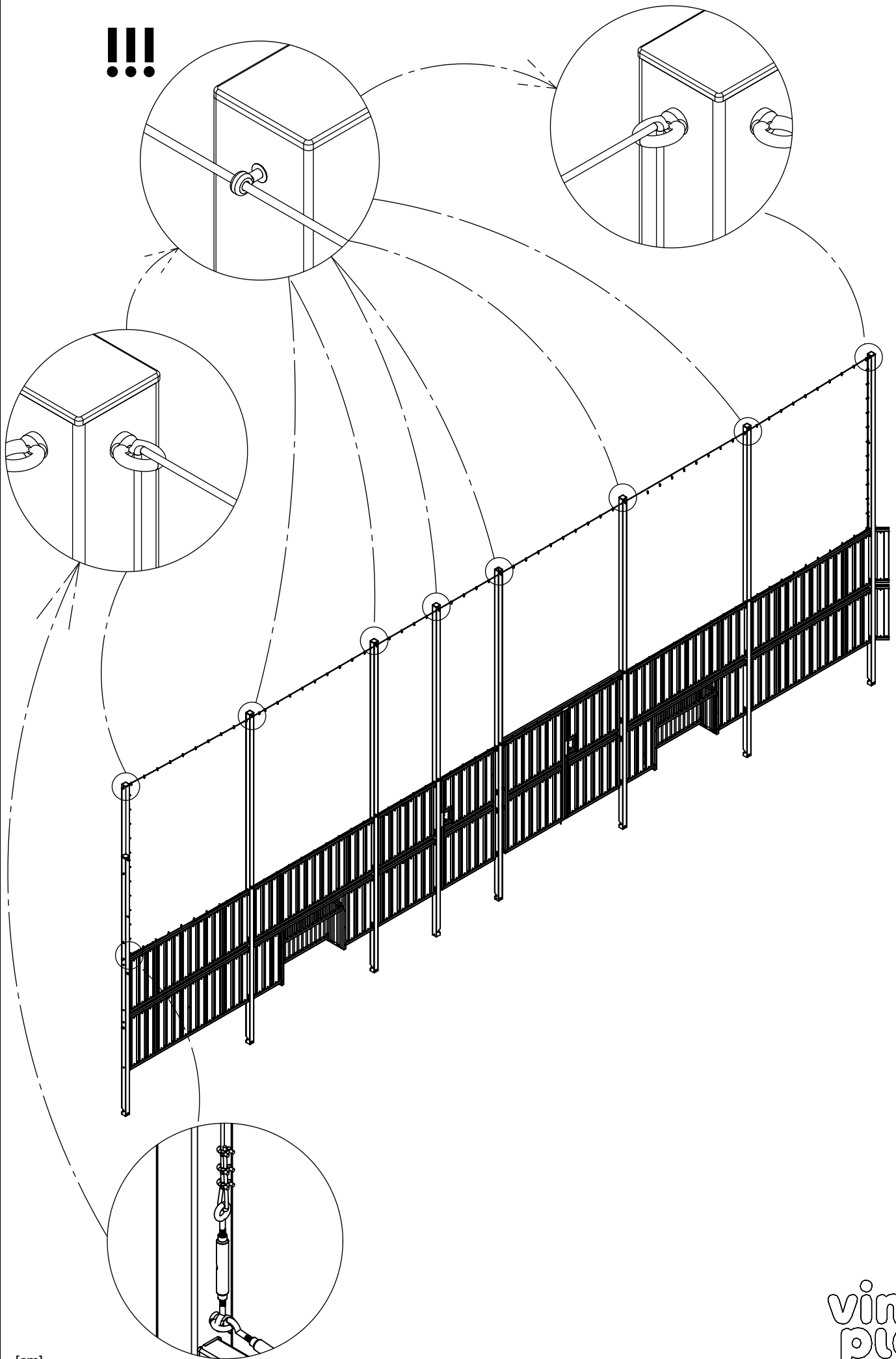
24e041



[cm]

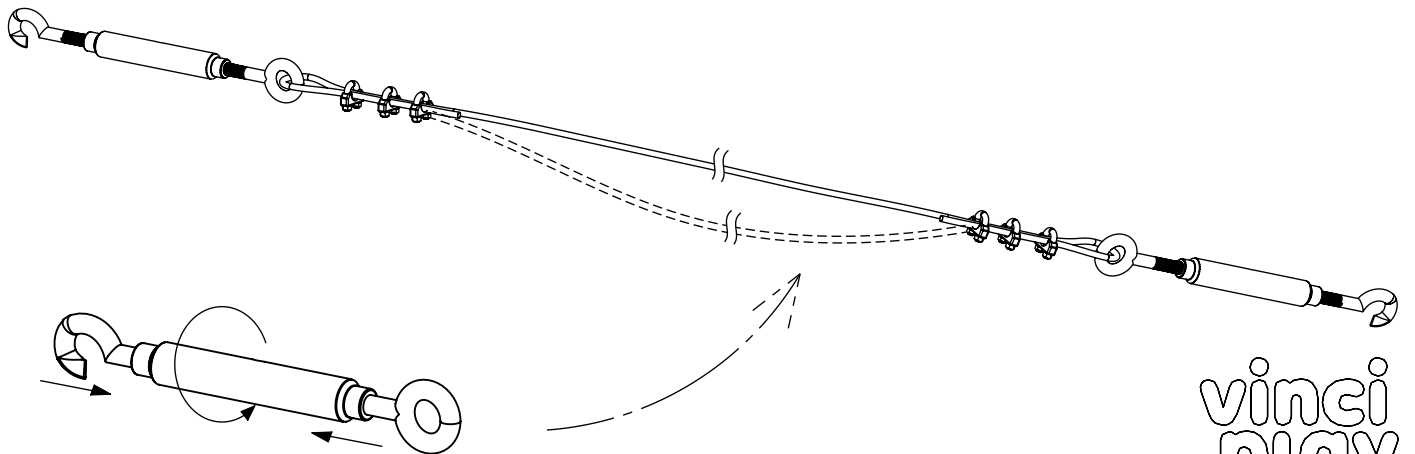
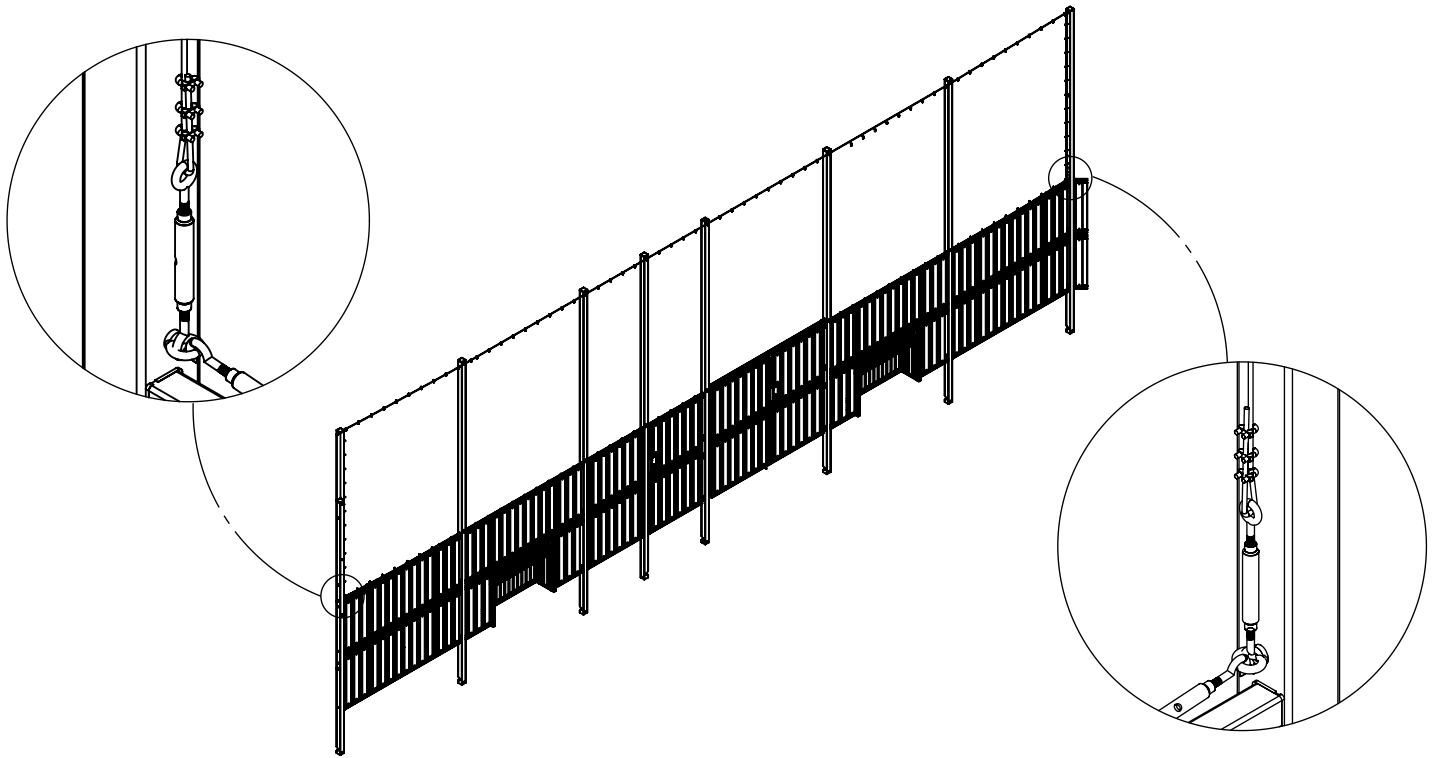
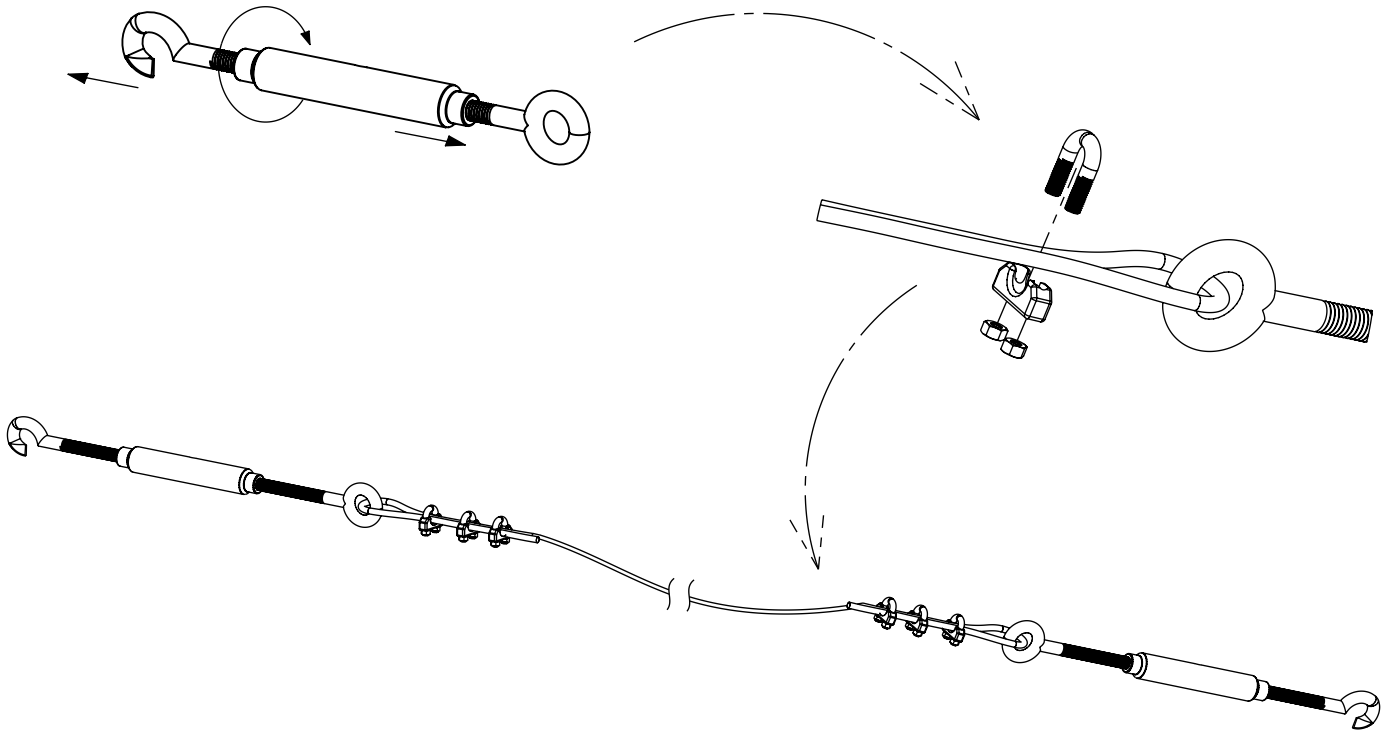
vinci  
play





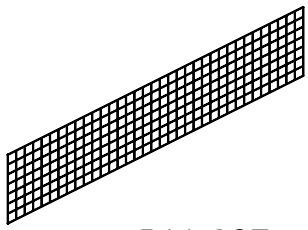
[cm]

vinci  
play

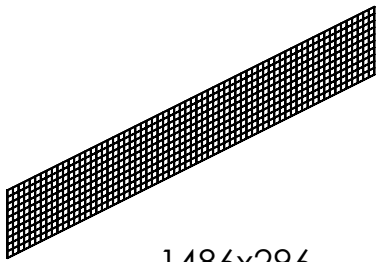


[cm]

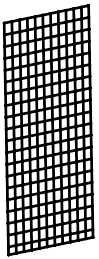
vinci  
play



544x197



1486x296

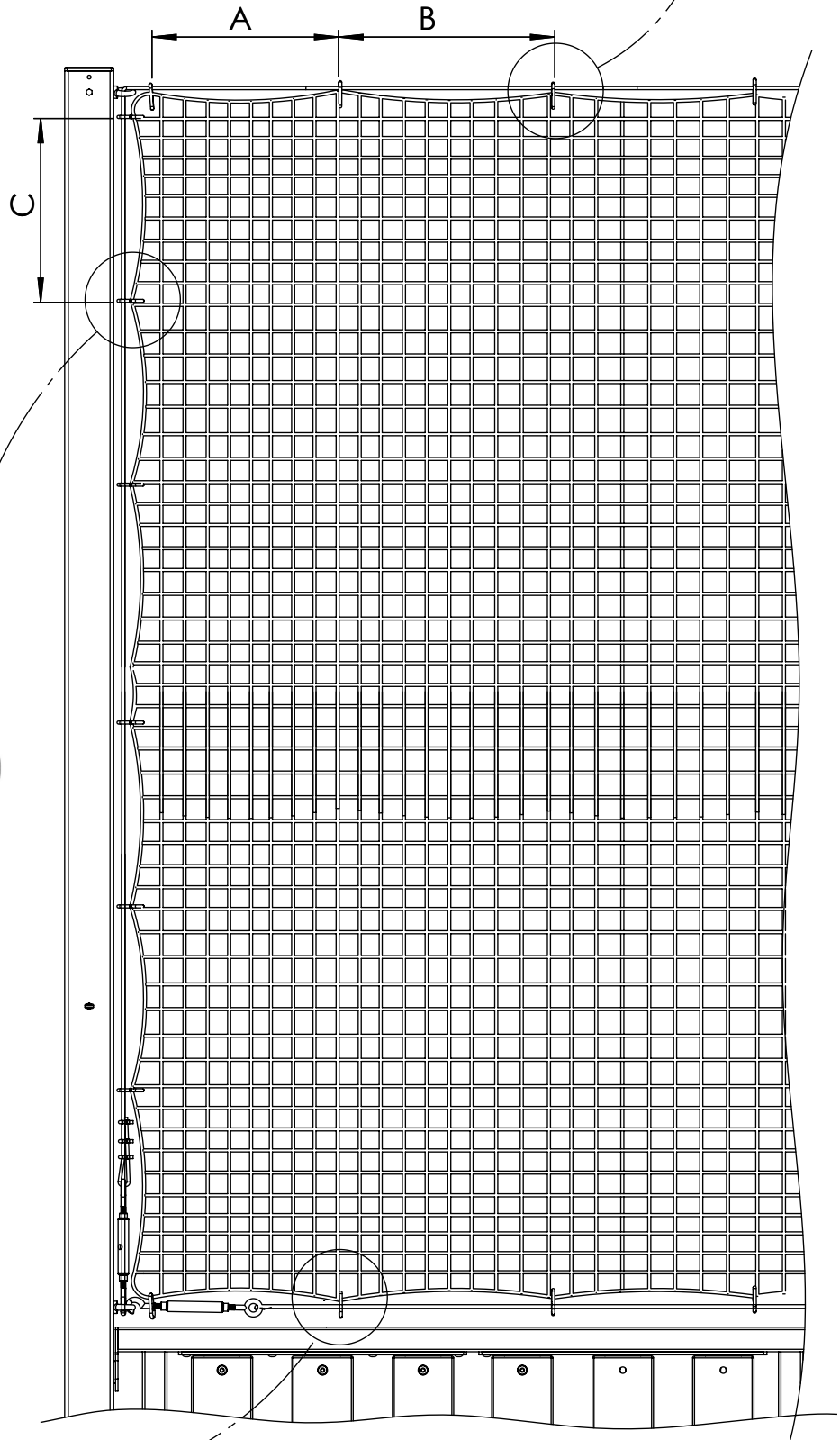


165x296

A=B=C=25 cm



996511



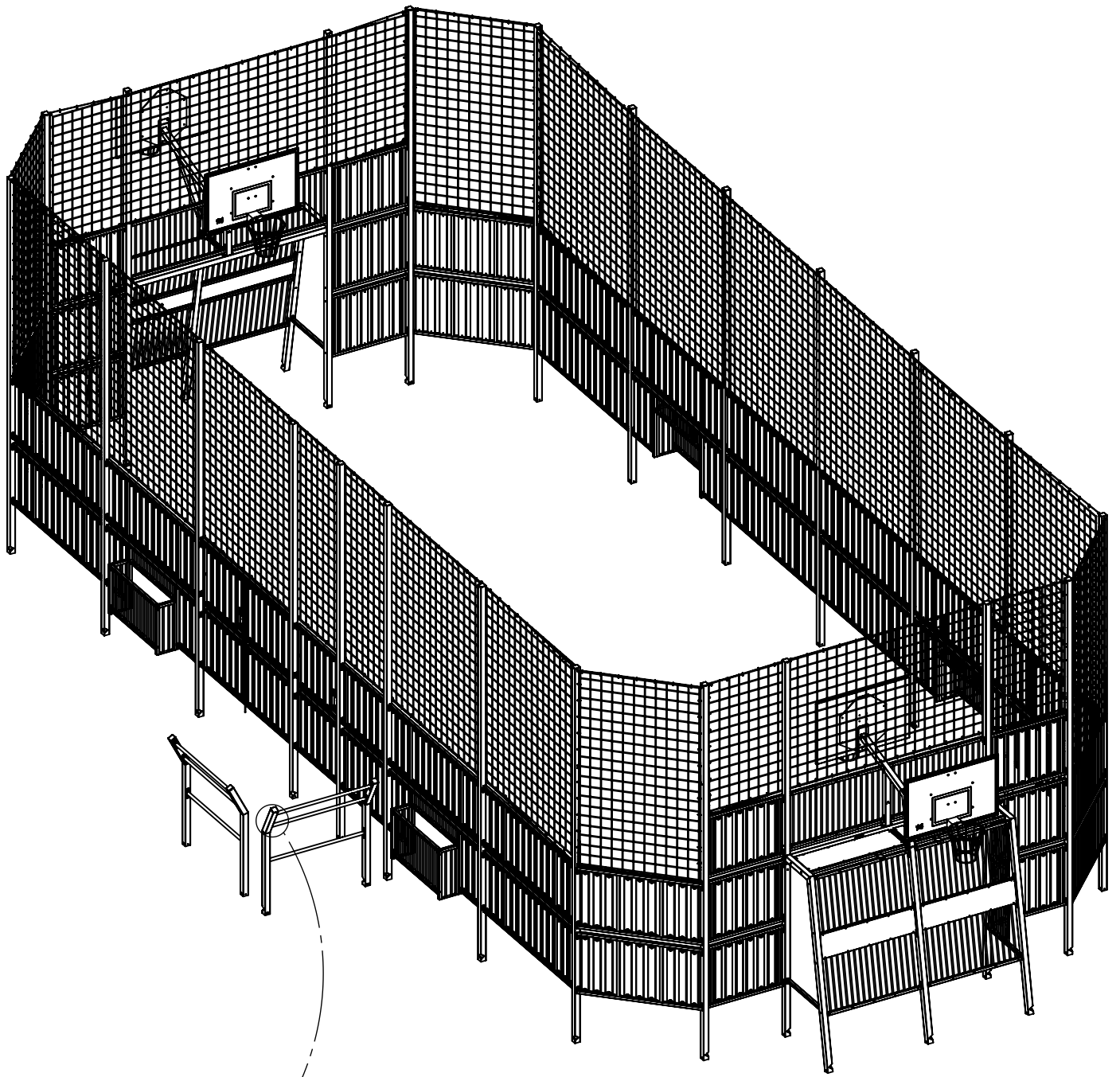
996511



996483

[cm]

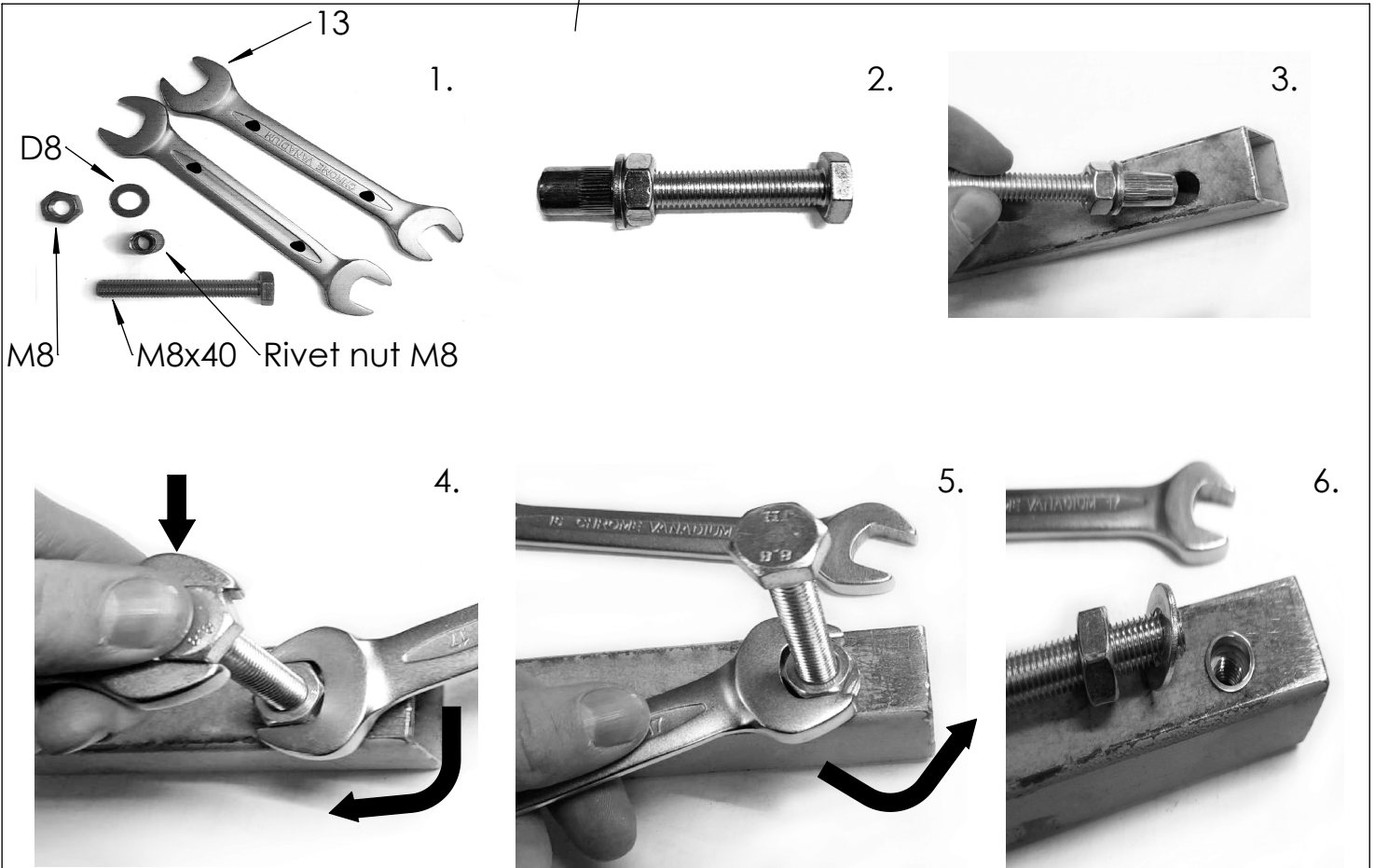
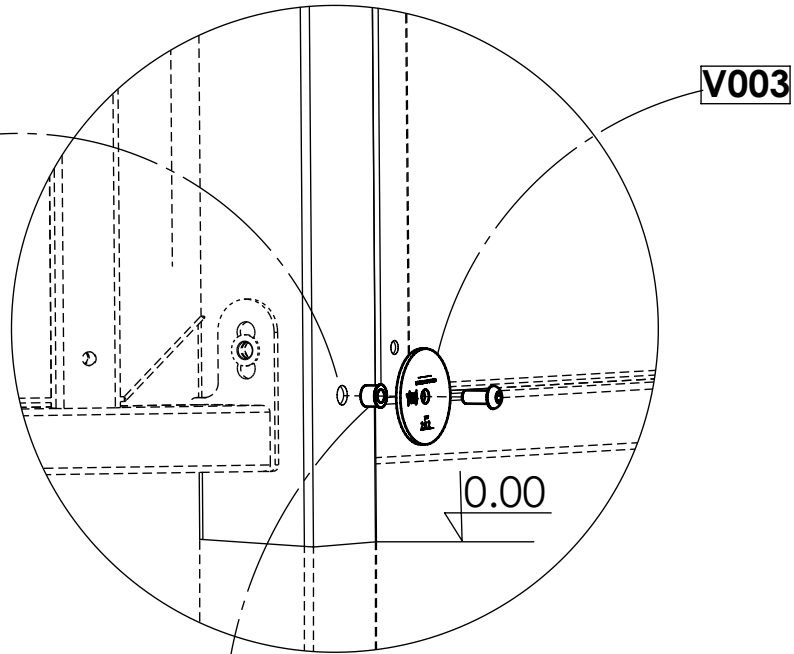
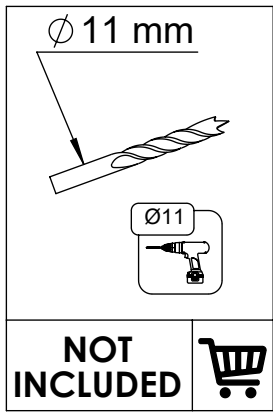
vinci play



24x 10x25ik

[cm]

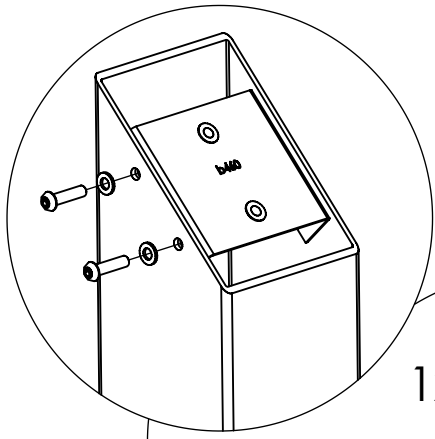
vinci  
play



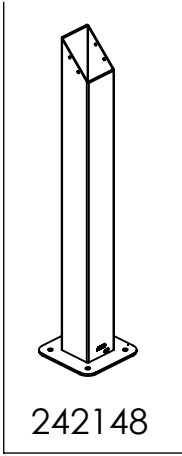
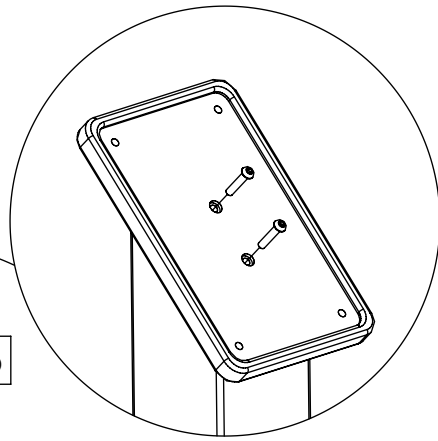
Keep the head of the screw still (it can not rotate!)  
 - then by using short wrench - rotate/screw only  
 the bottom part of solution - the nur. Attention!  
 - do not put much power for this operation  
 (otherwise the rivet nut will be damaged!).  
 The difference between screw head and the  
 nut should change from 3mm to 8mm

After that unscrew screws

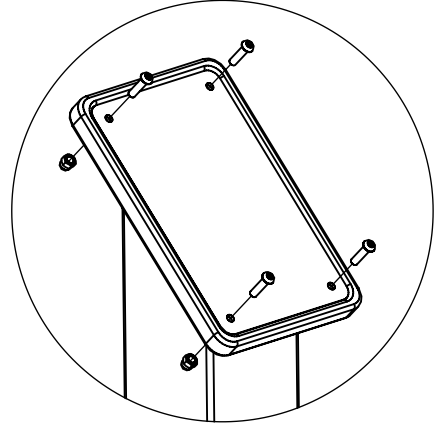
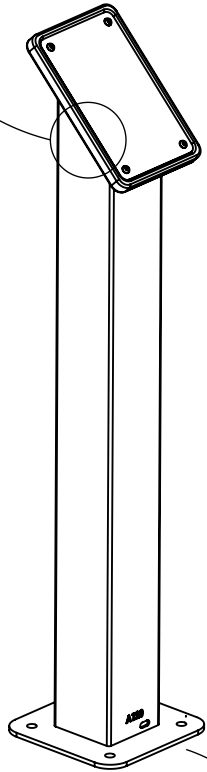
Final effect



1x 24e006

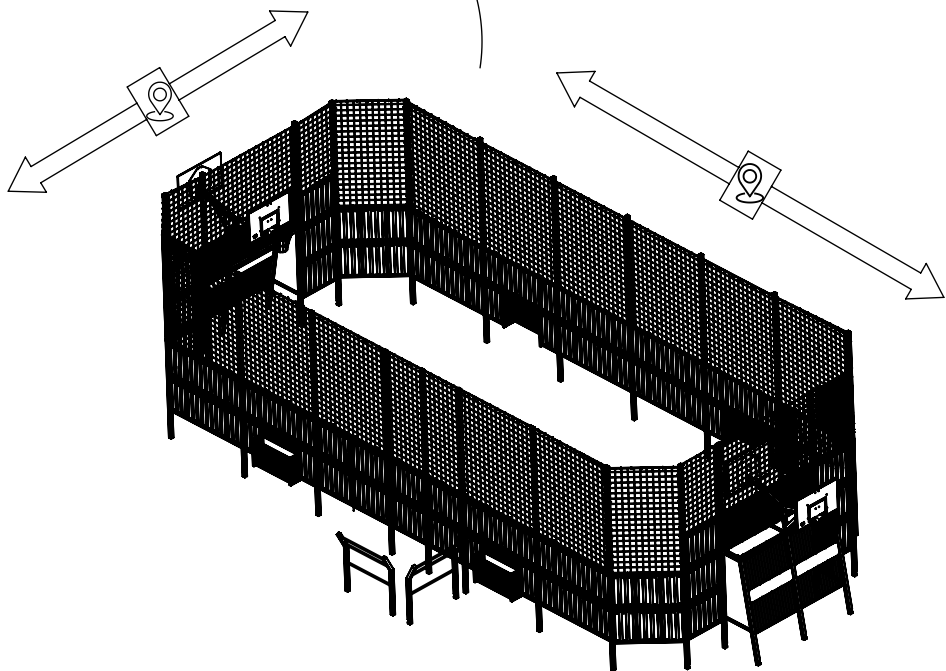


242148



1x 24e005

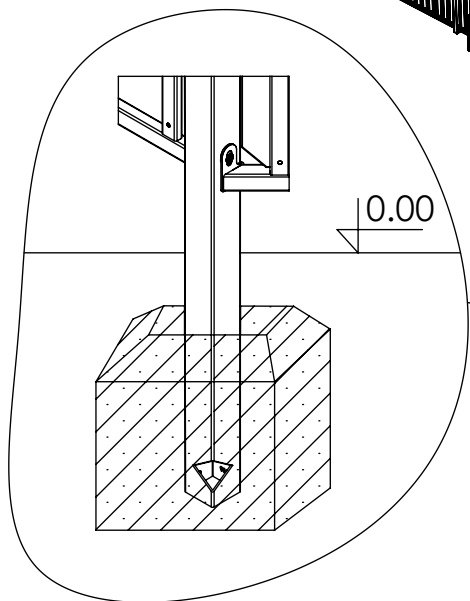
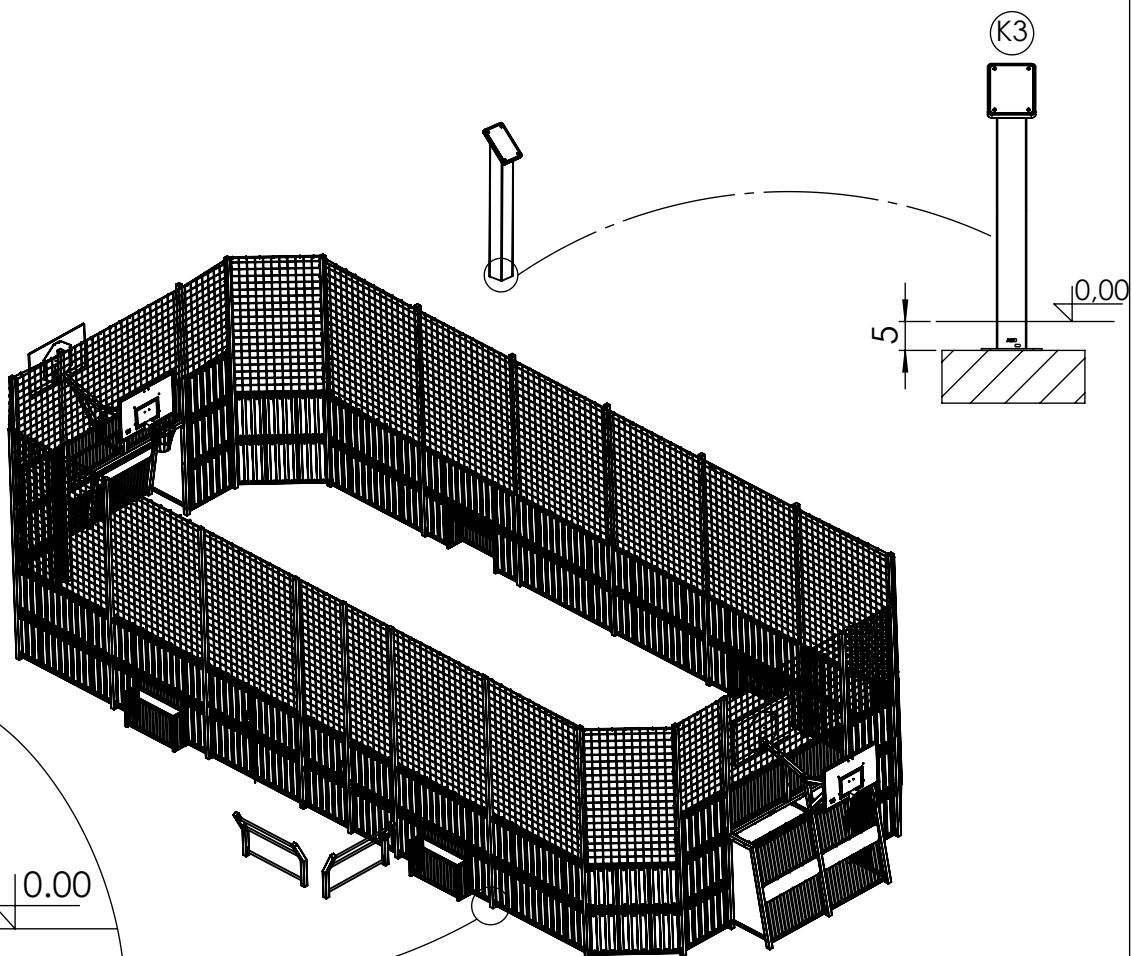
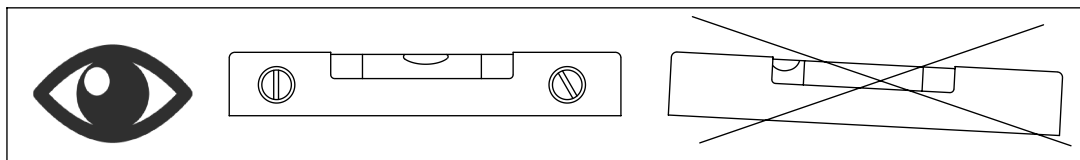
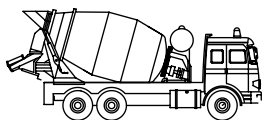
1x 246103



[cm]

vinci  
play

48h



**K23**

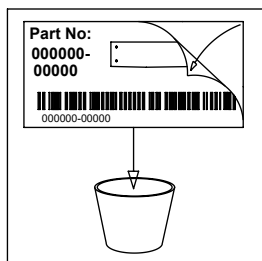
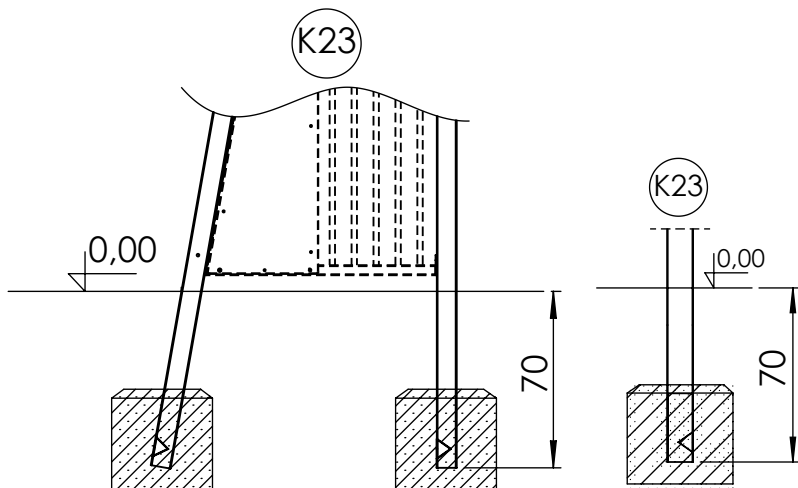
x33

>0,06m<sup>3</sup>

**K3**

x1

>0,02m<sup>3</sup>



[cm]

vinci play