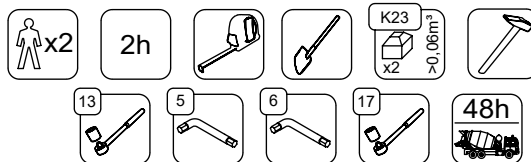
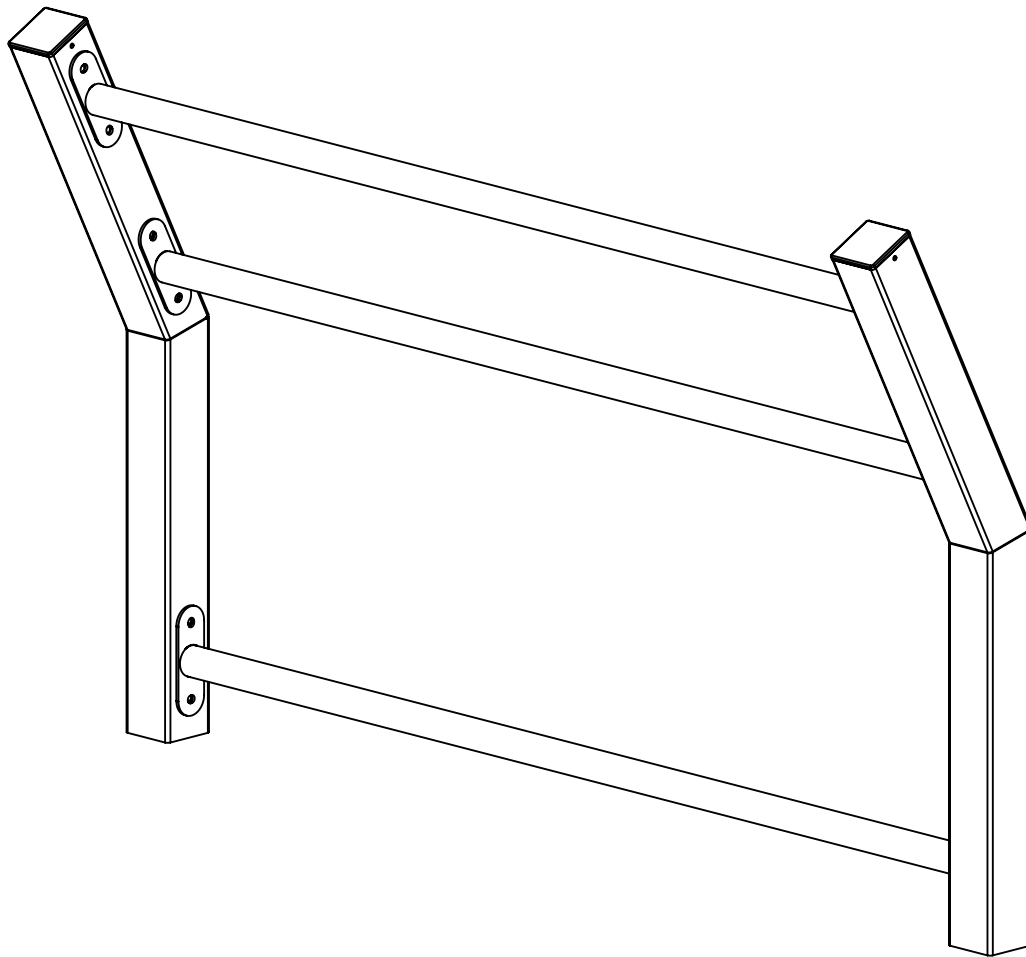
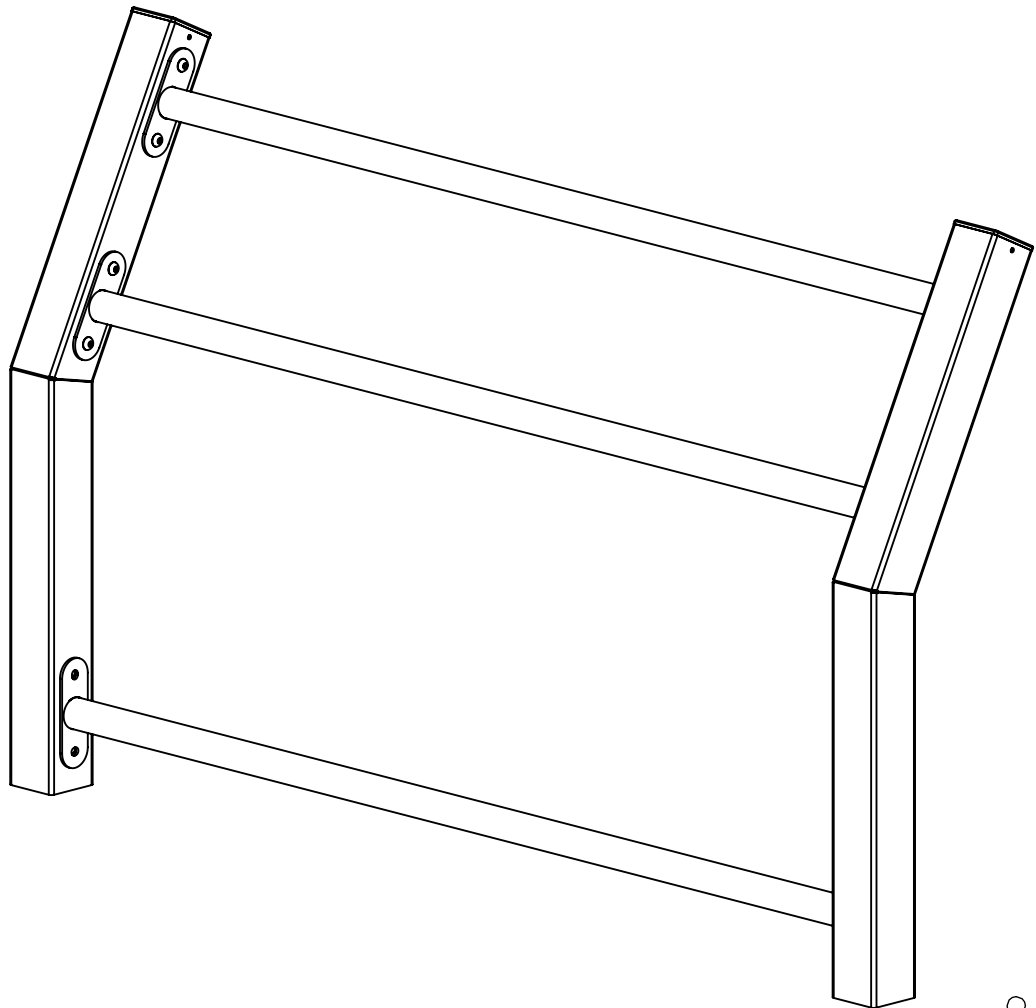
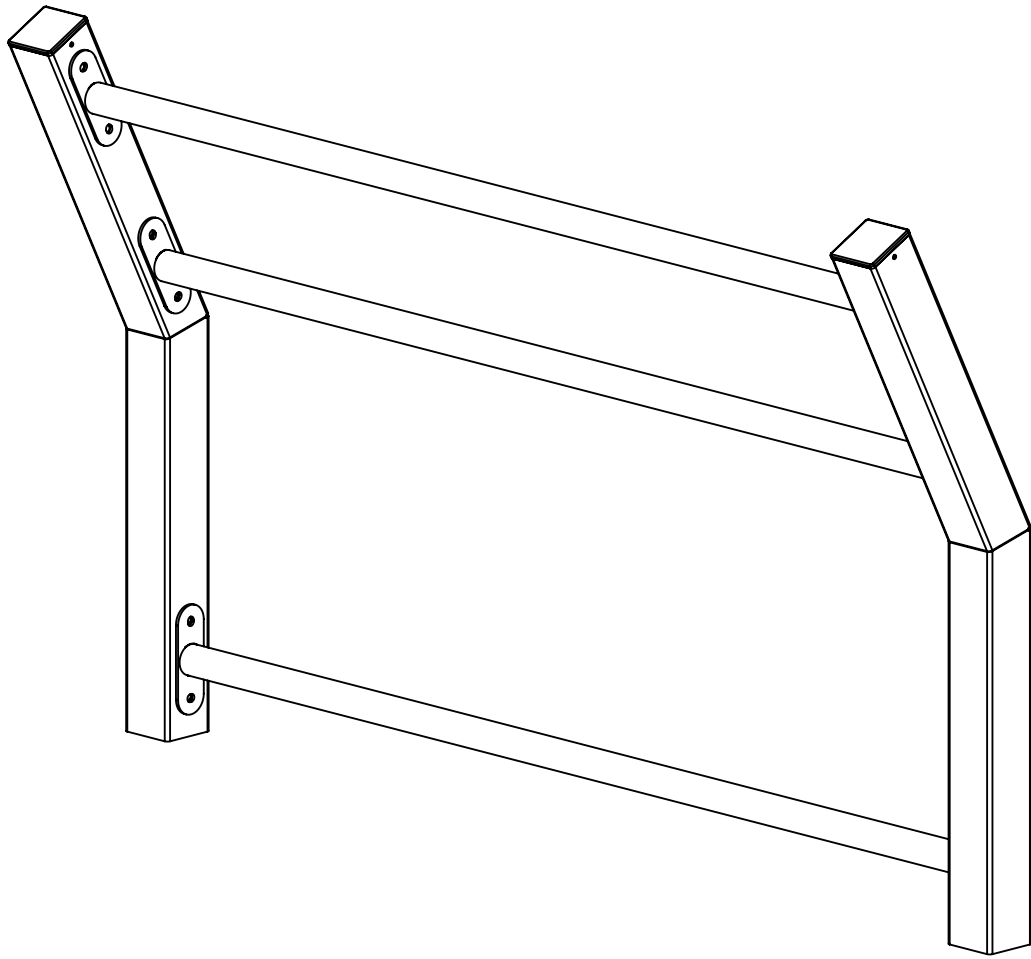


2495



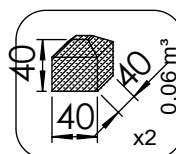
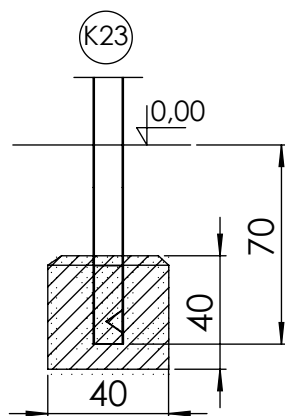
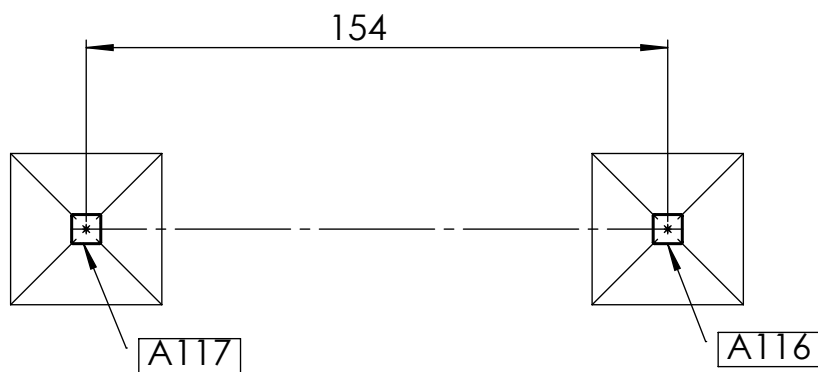
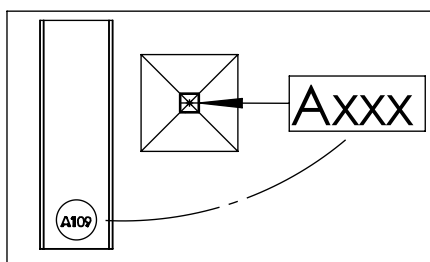
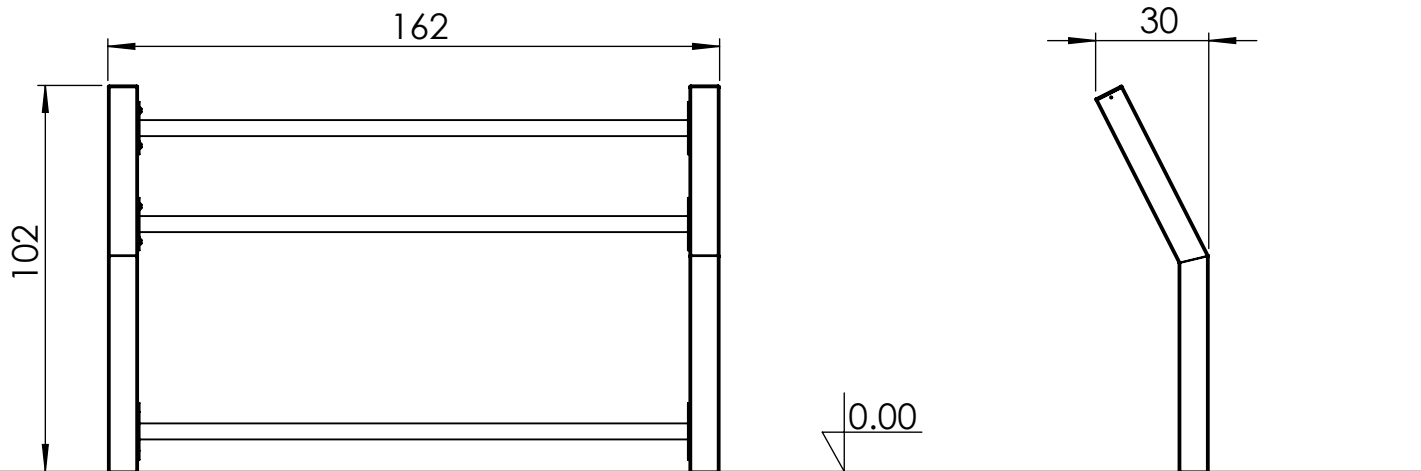
v010
17.05.2023
I.A.
[cm]

vinci
play



[cm]

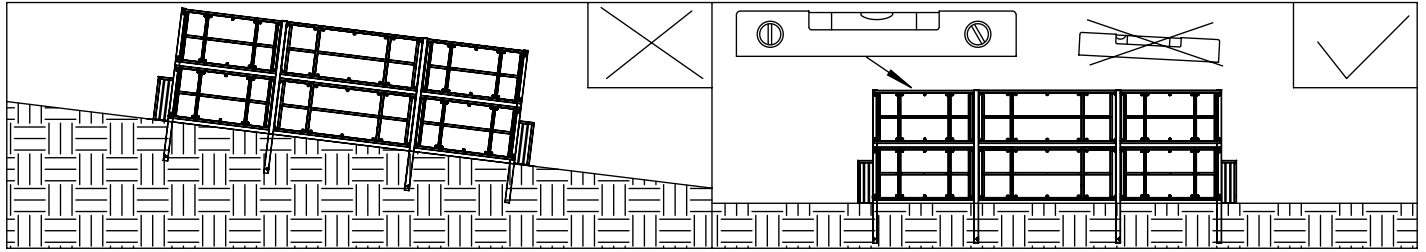
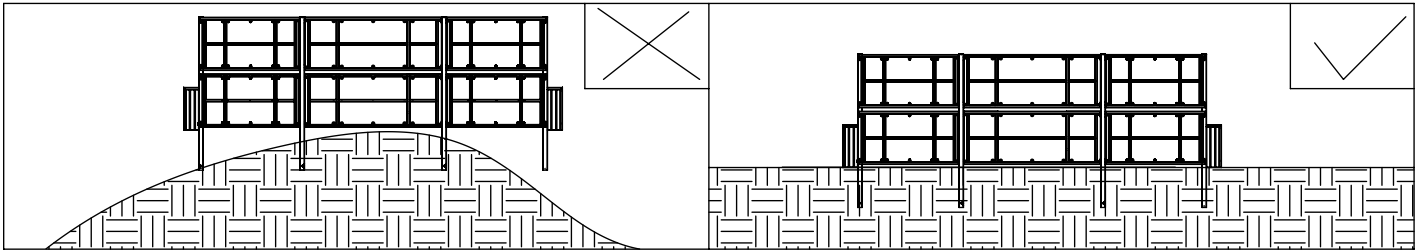
vinci
play



[cm]

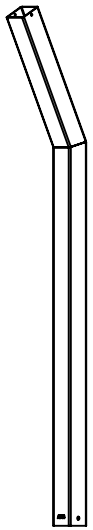


vinci
play

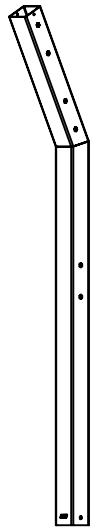


[cm]

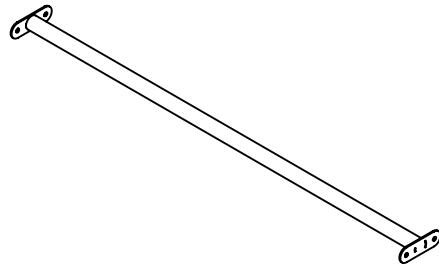
vinci
play



A116
x1

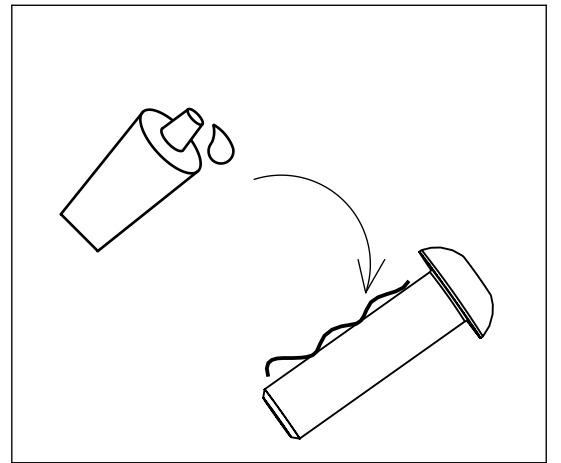
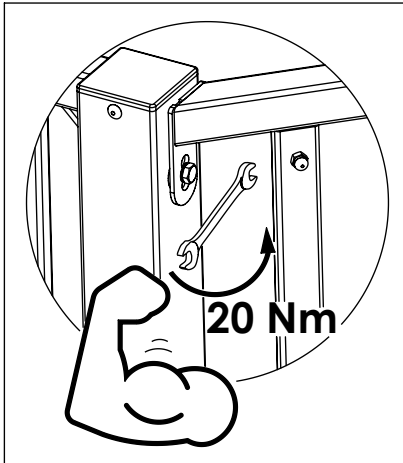
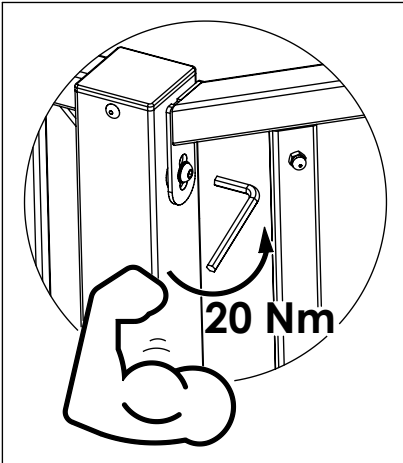
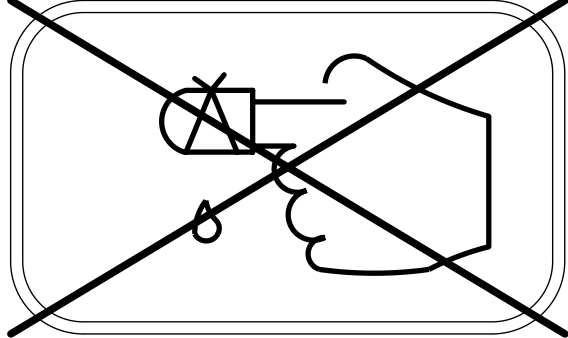
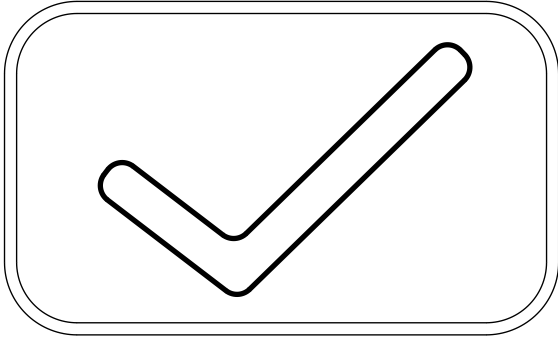
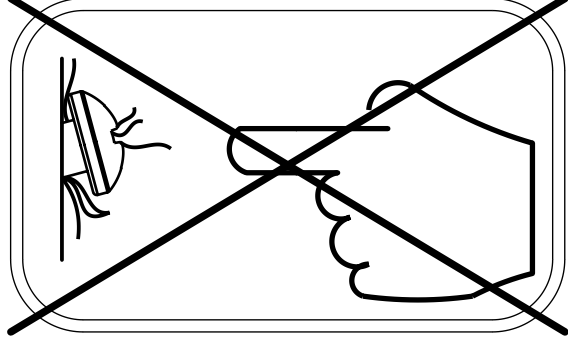
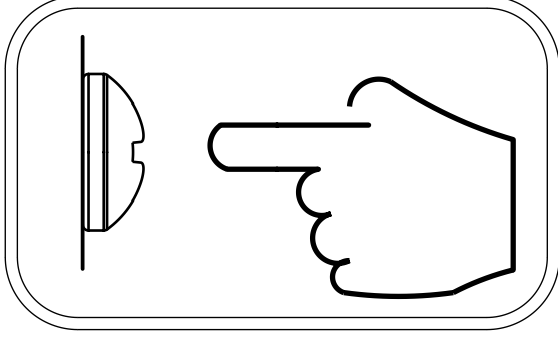
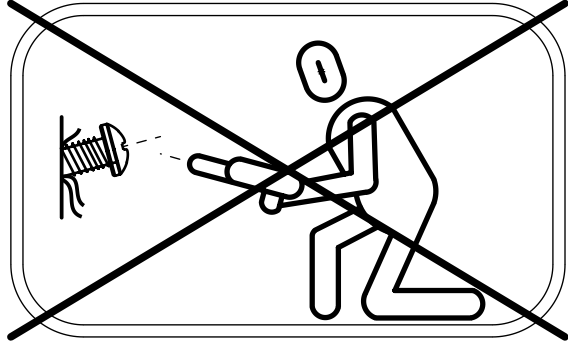
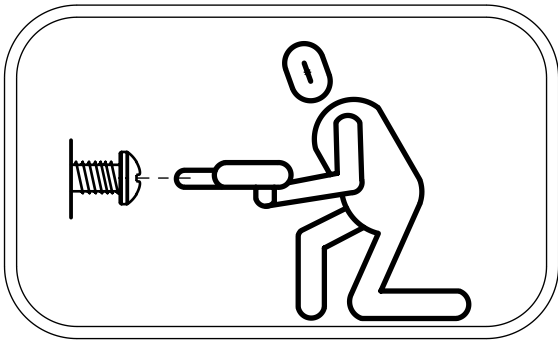


A117
x1

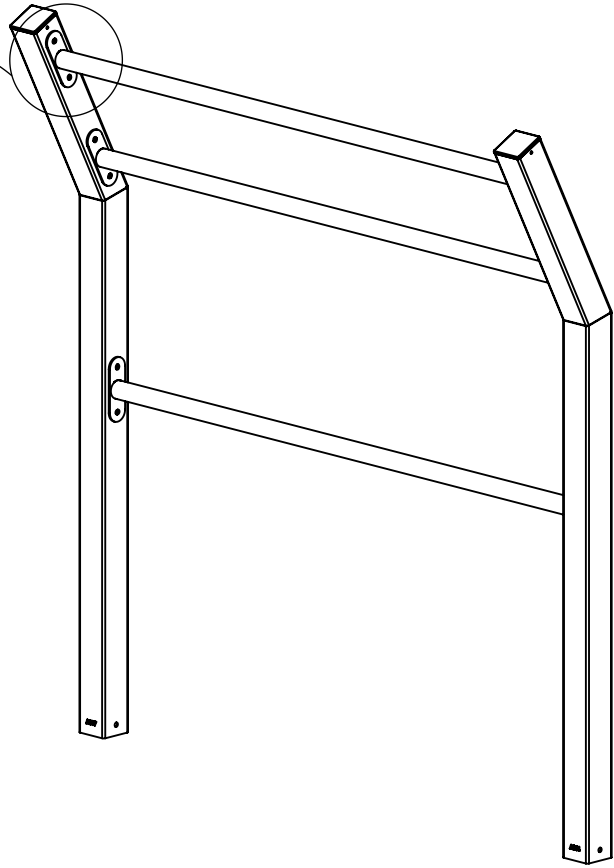
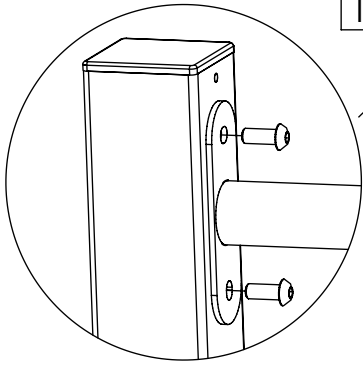


242141
x3

12x	10x25ikl
1x	V003

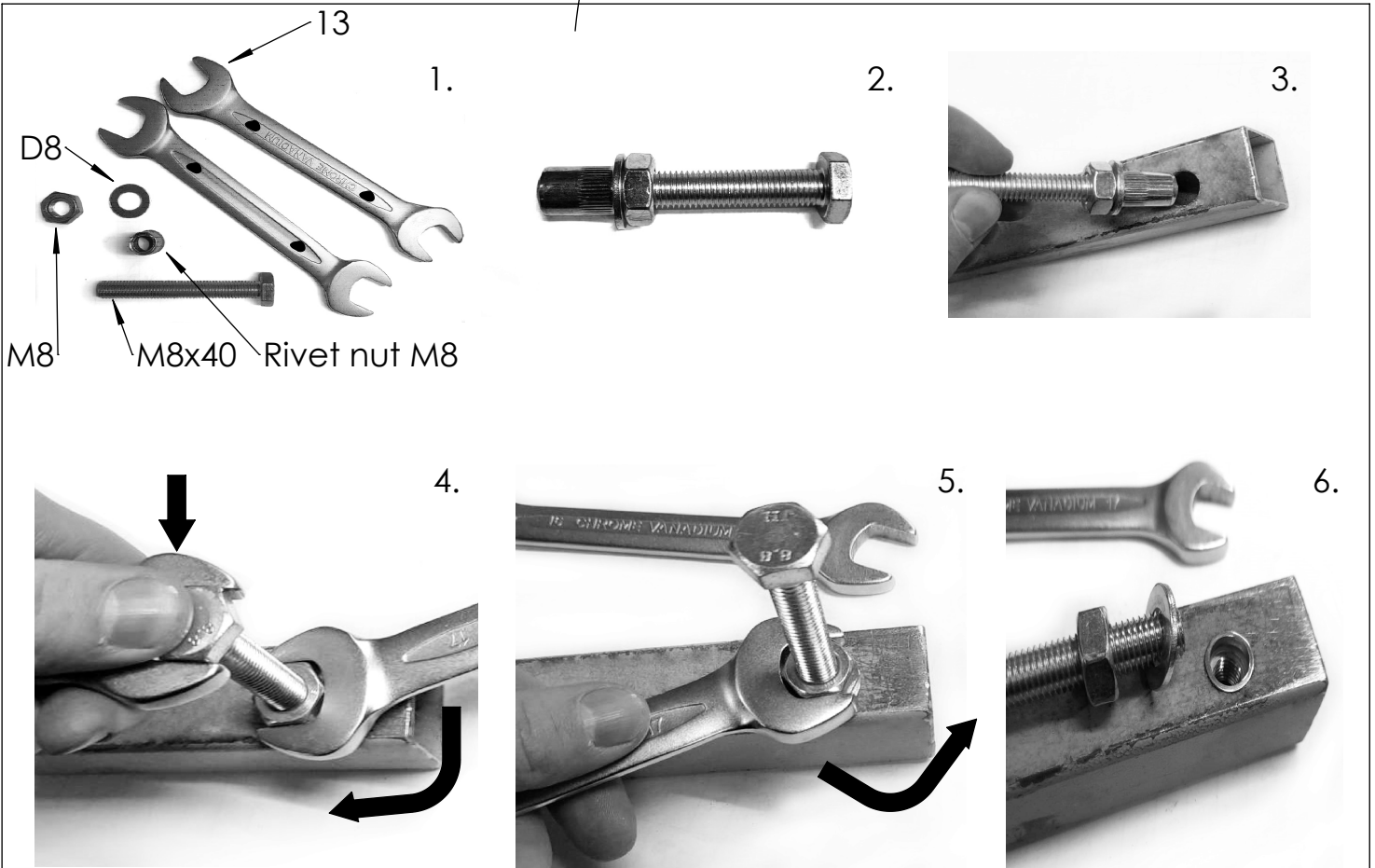
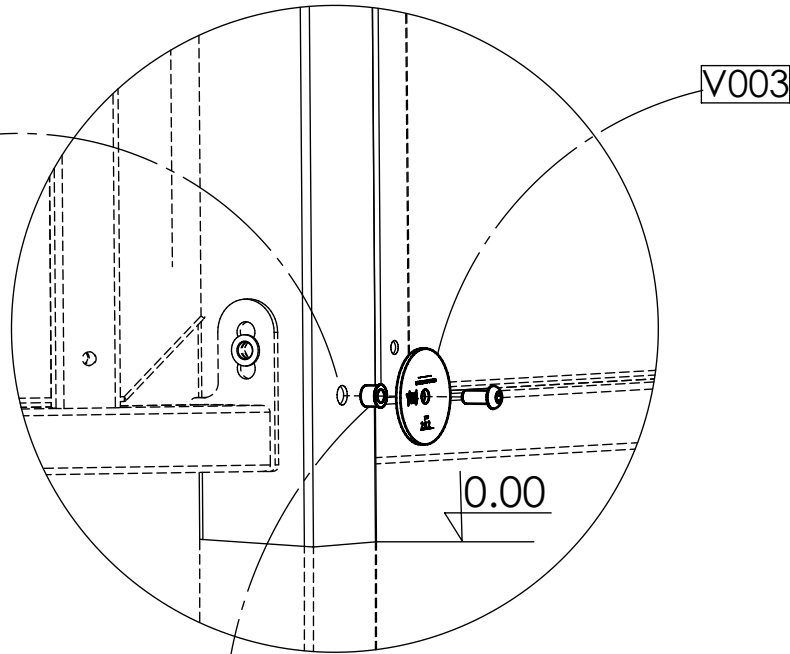
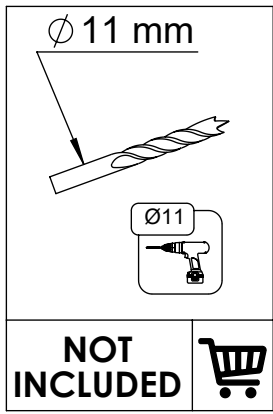


10x25[kl]



[cm]

vinci
play

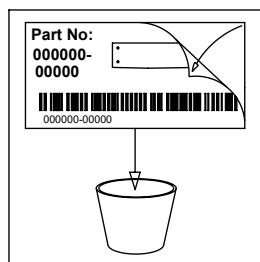
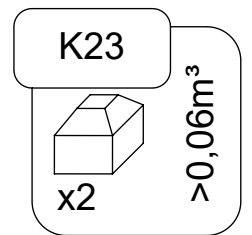
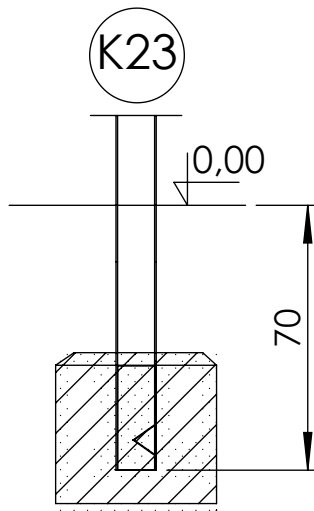
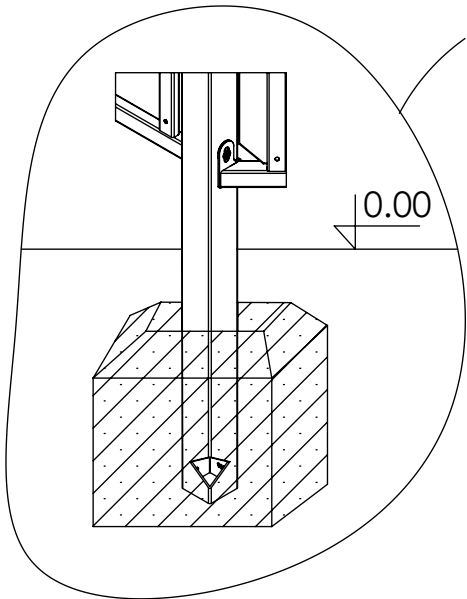
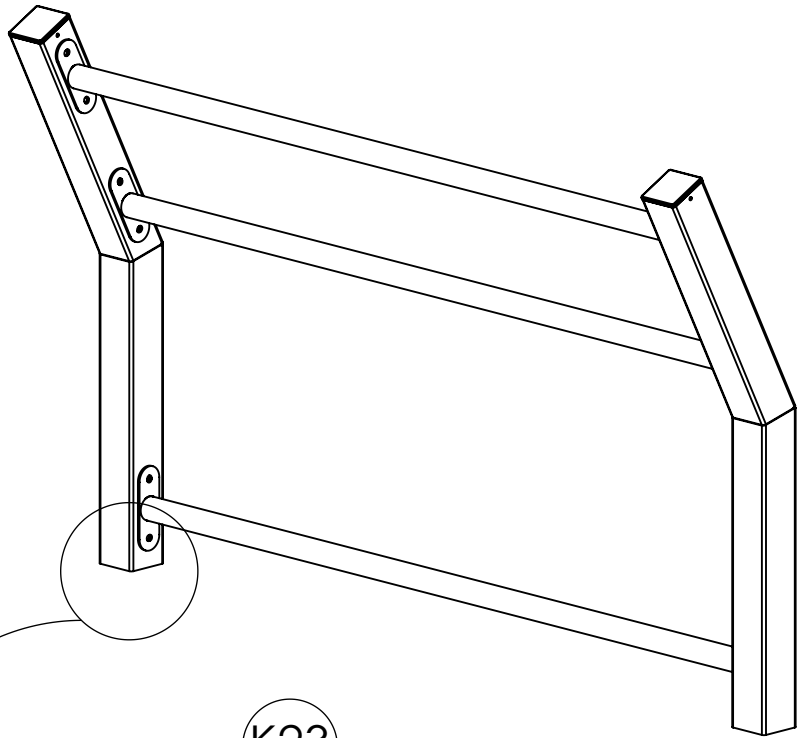
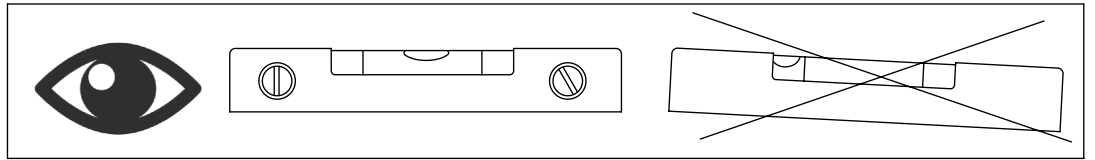
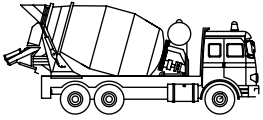


Keep the head of the screw still (it can not rotate!)
 - then by using short wrench - rotate/screw only
 the bottom part of solution - the nur. Attention!
 - do not put much power for this operation
 (otherwise the rivet nut will be damaged!).
 The difference between screw head and the
 nut should change from 3mm to 8mm

After that unscrew screws

Final effect

48h



[cm]

vinci
play