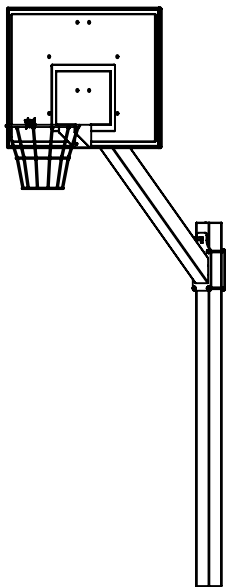
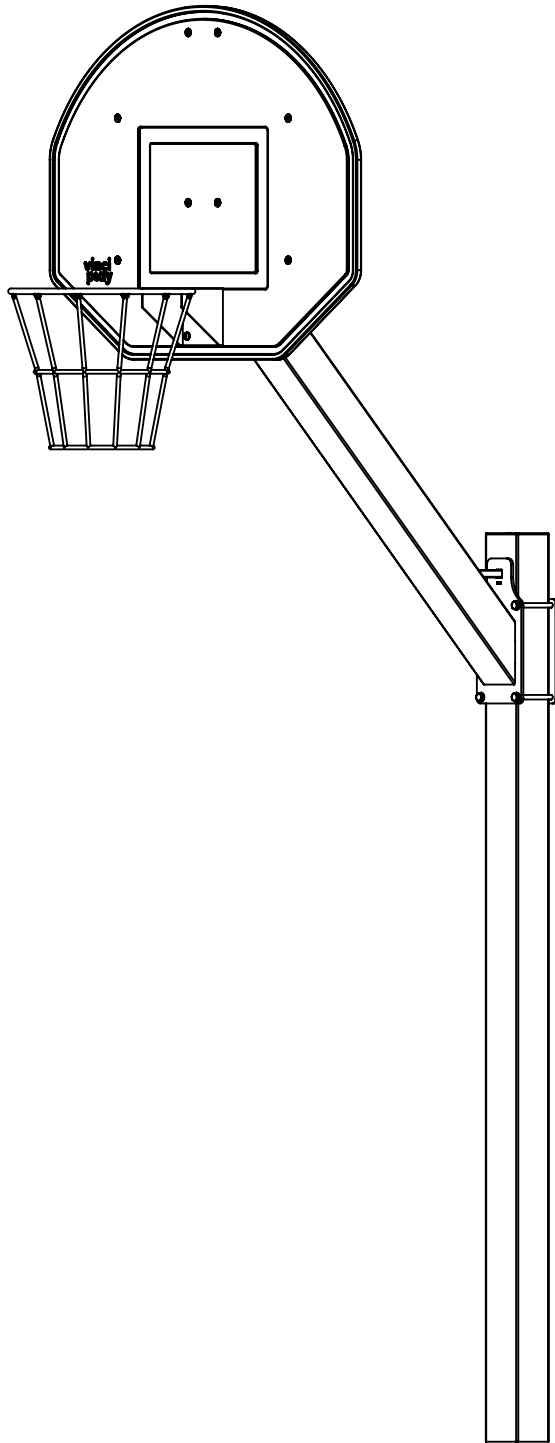
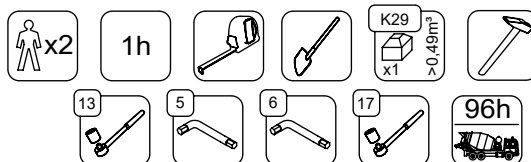


# 2431



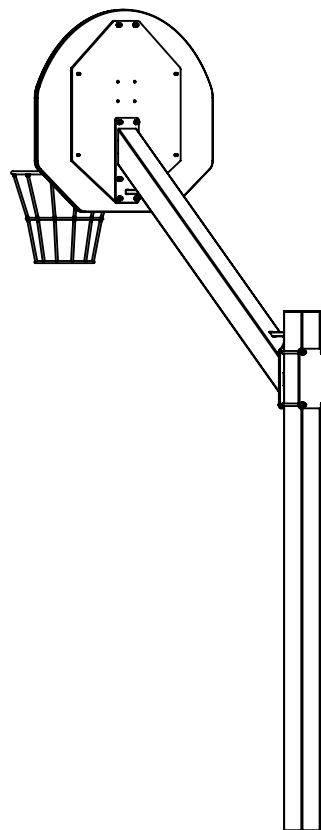
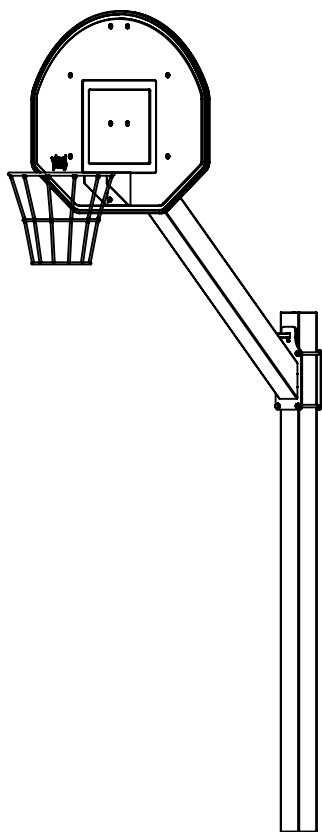
2432



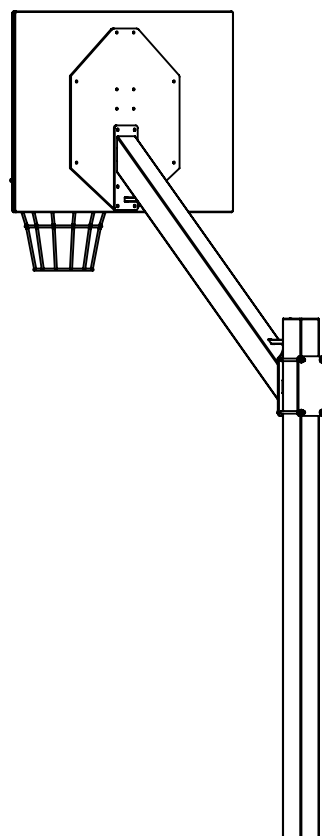
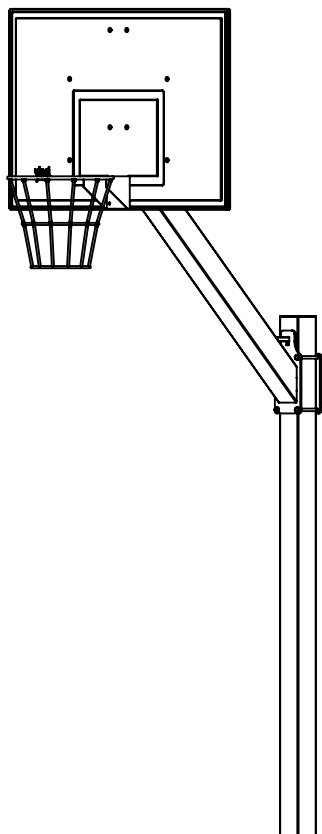
v010  
16.01.2023  
I.A.  
[cm]

vinci  
play

2431



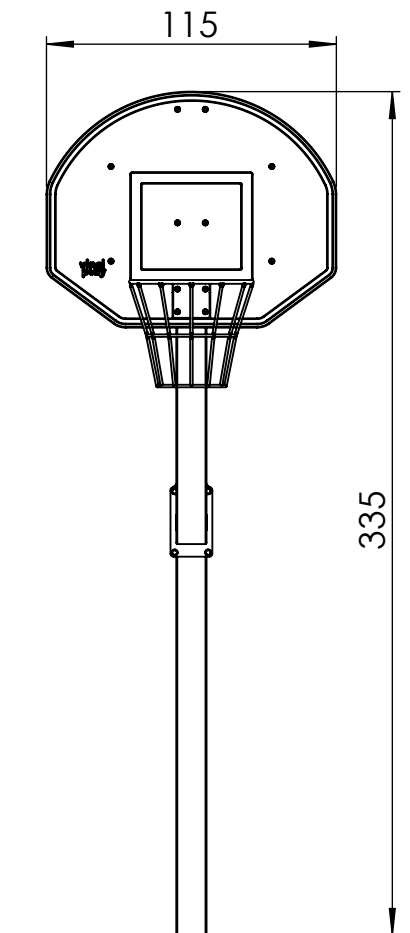
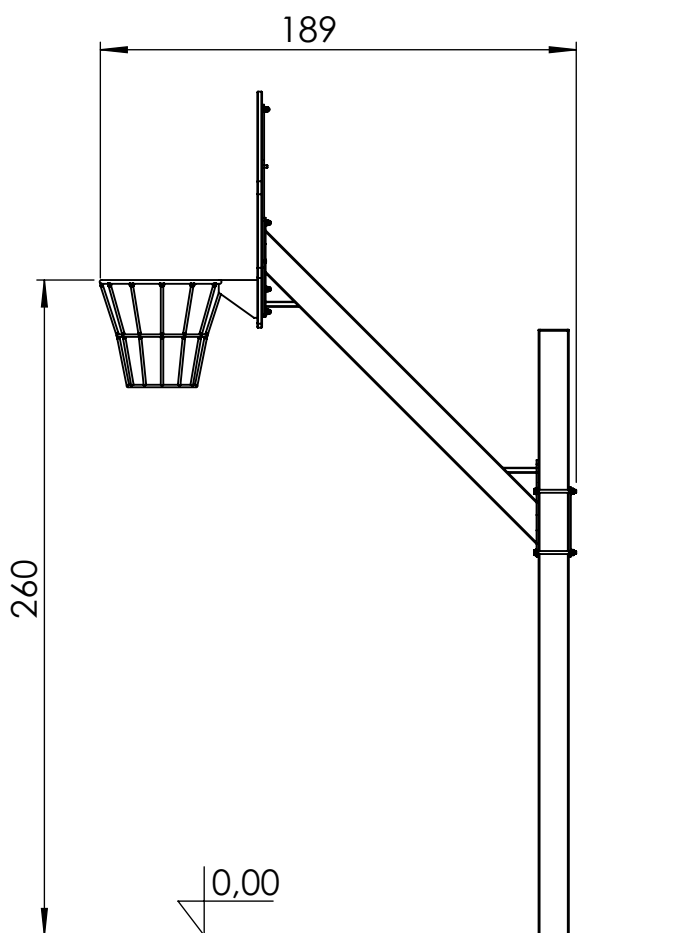
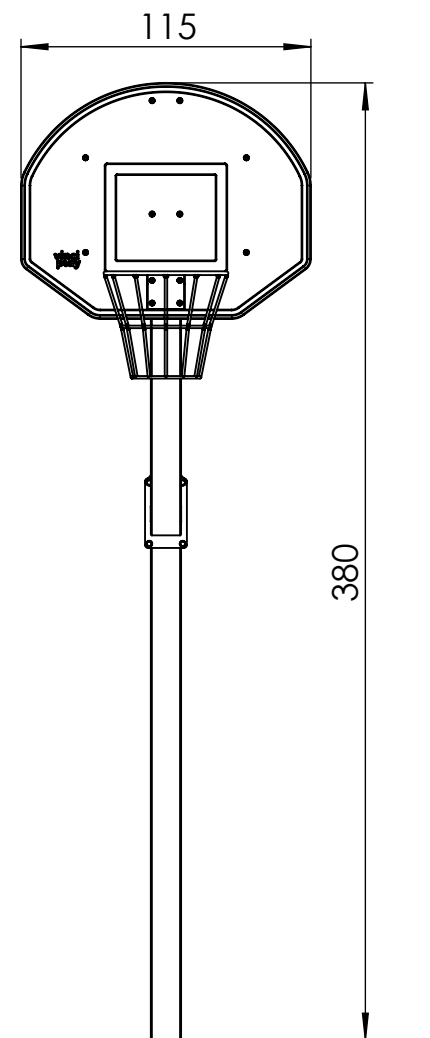
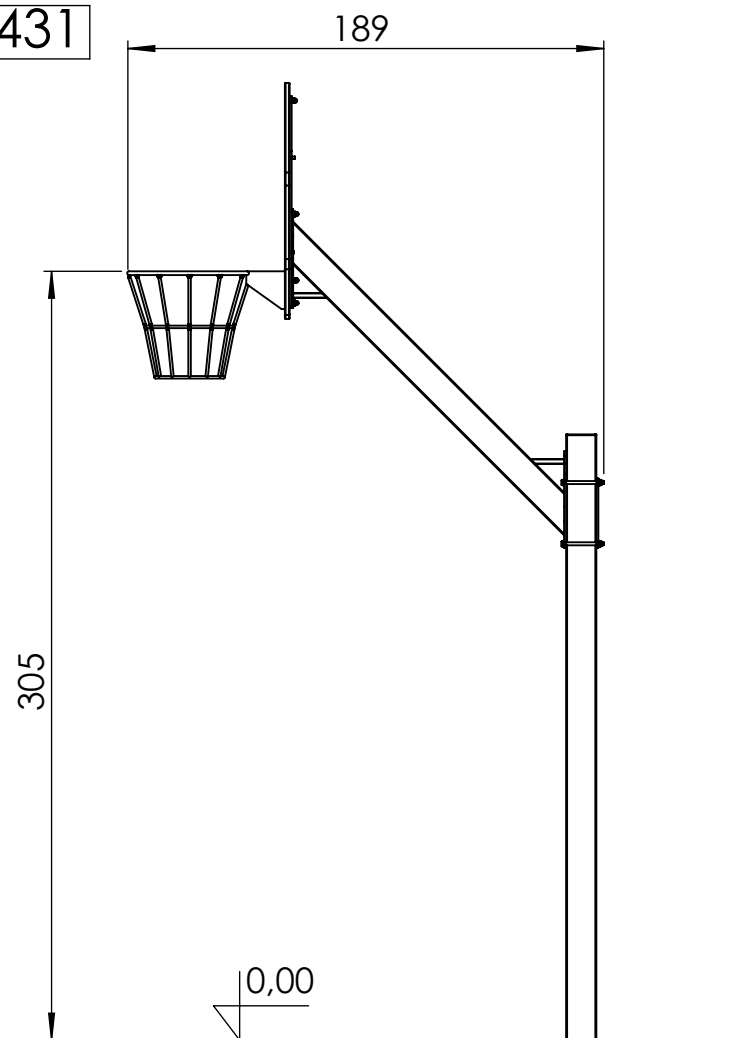
2432



[cm]

vinci  
play

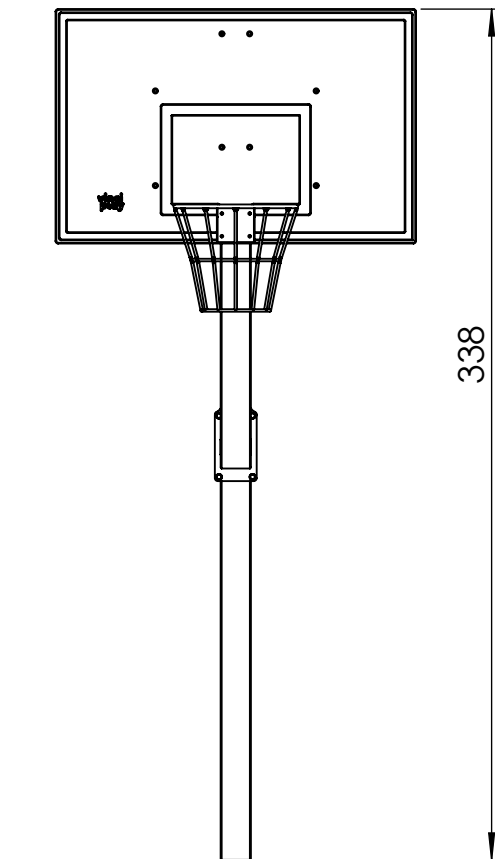
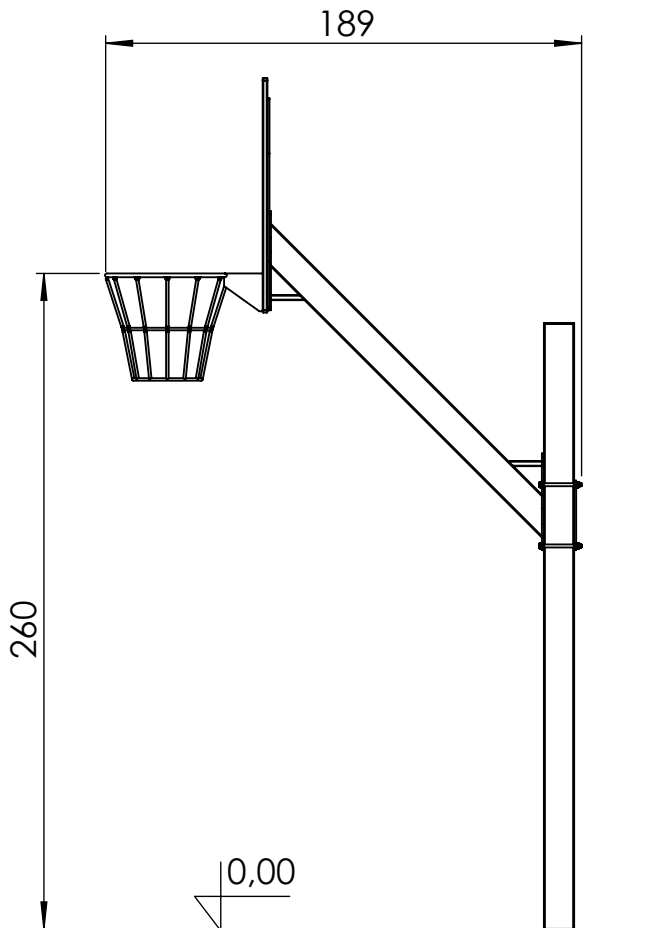
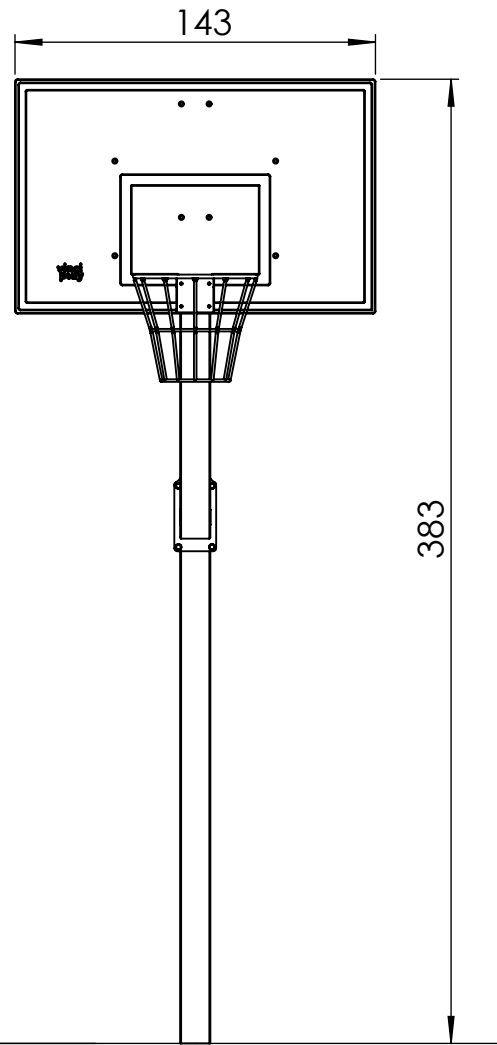
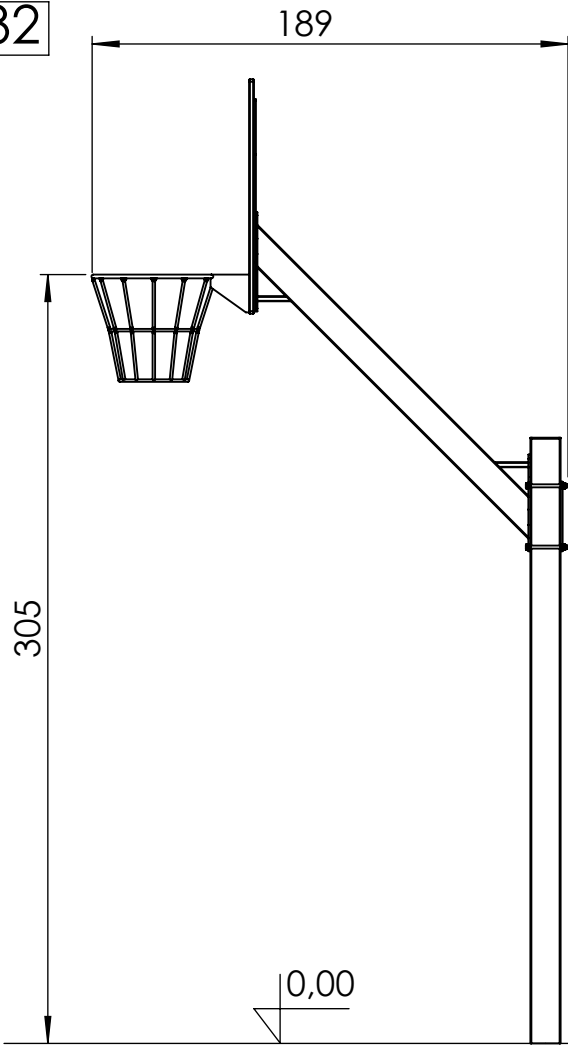
2431



[cm]

vinci  
play

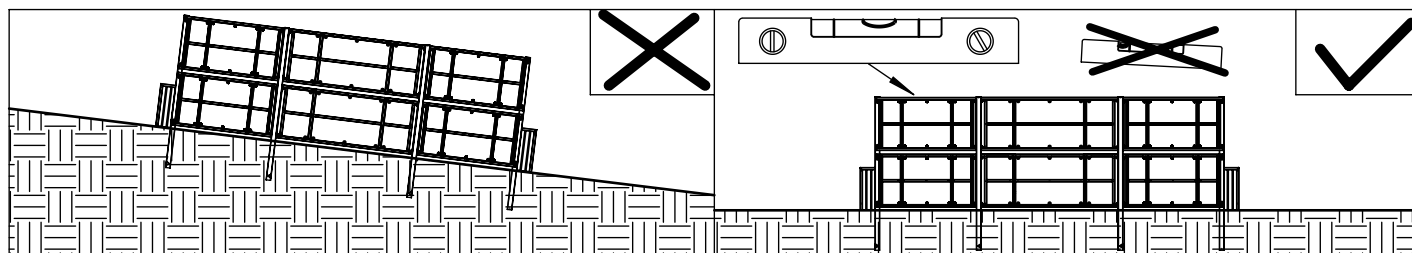
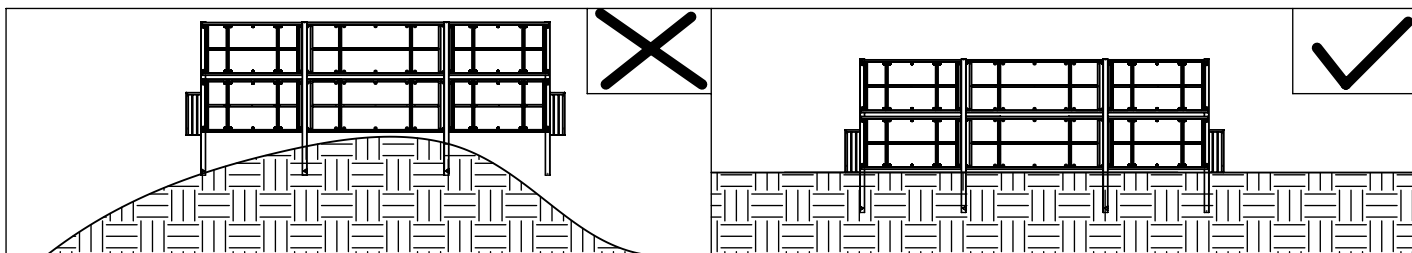
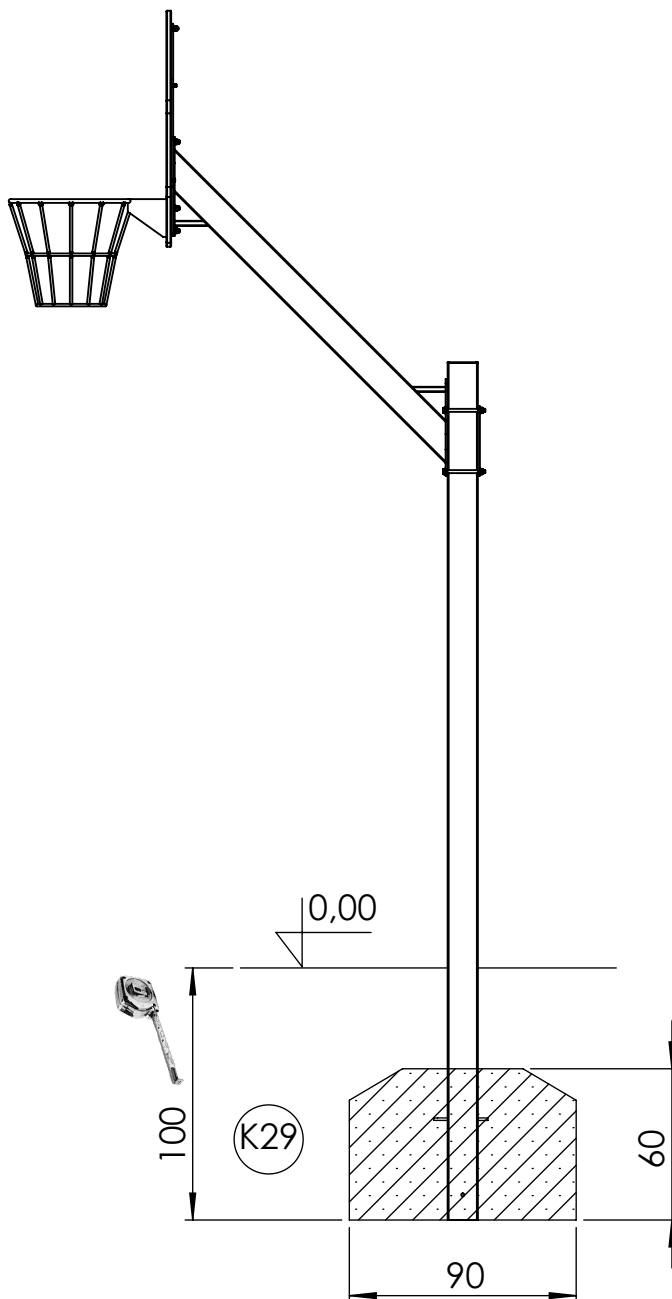
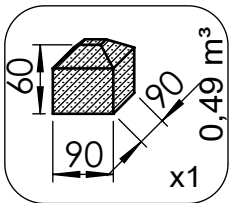
2432



[cm]

vinci  
play

96h



1h

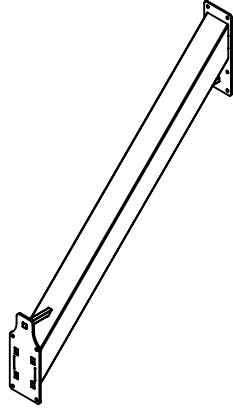


[cm]

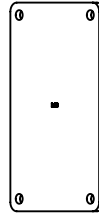
vinci  
play



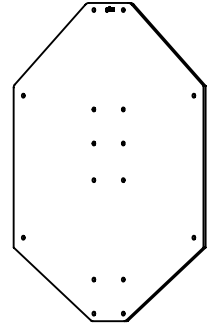
202100  
x1



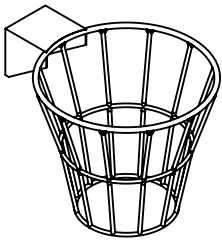
202101  
x1



b80  
x1



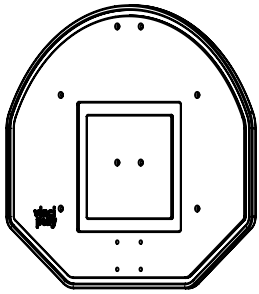
b799  
x1



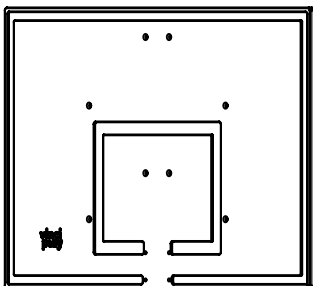
206100  
x1

1x	24e012
1x	24e028
1x	V003

2431

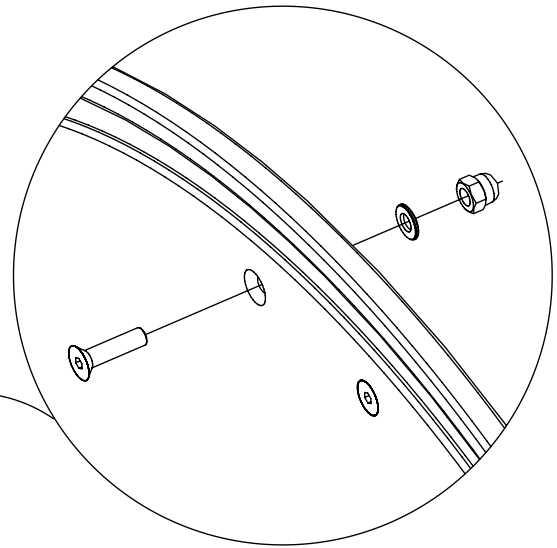


2432

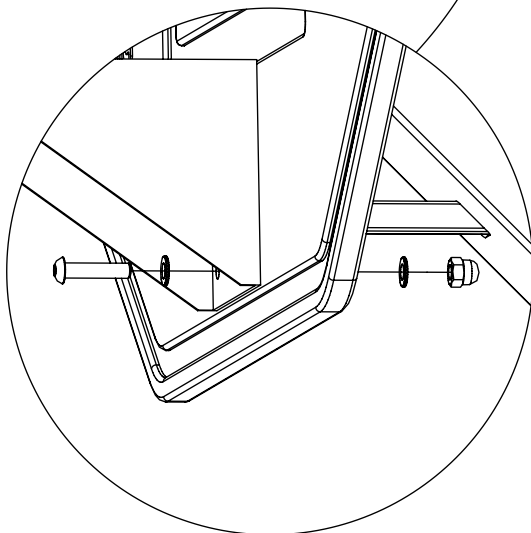
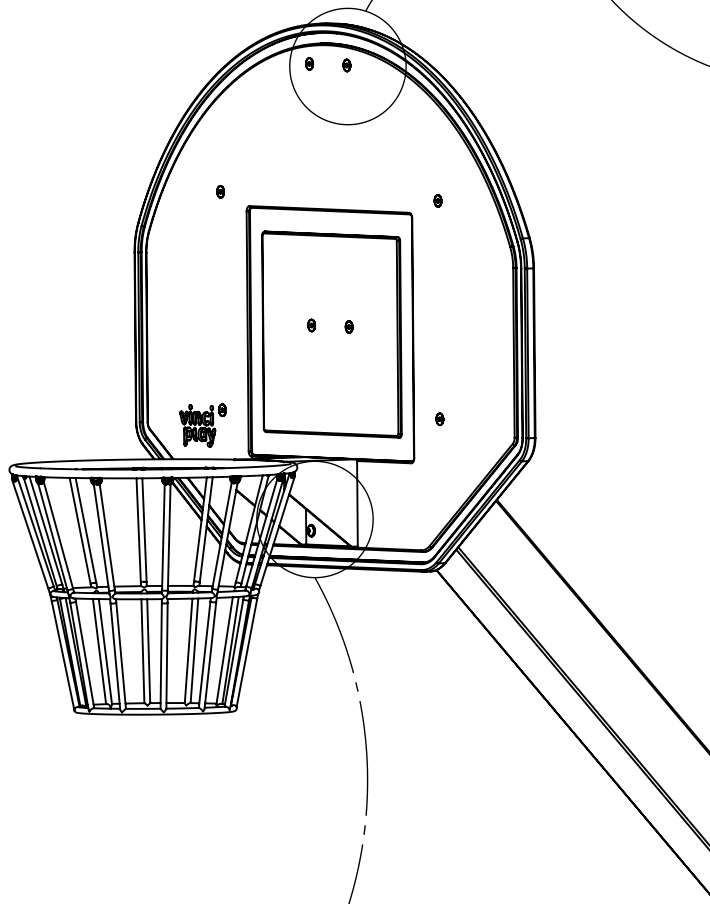


[cm]

vinci  
play



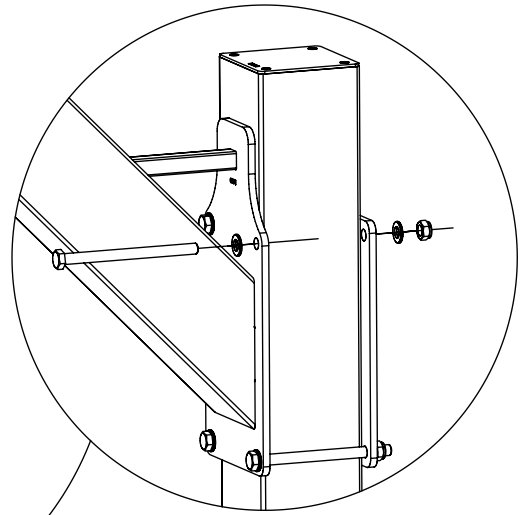
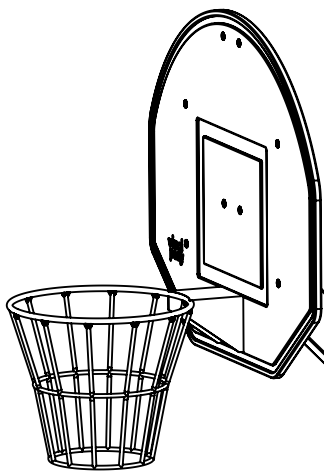
1x **24e012**



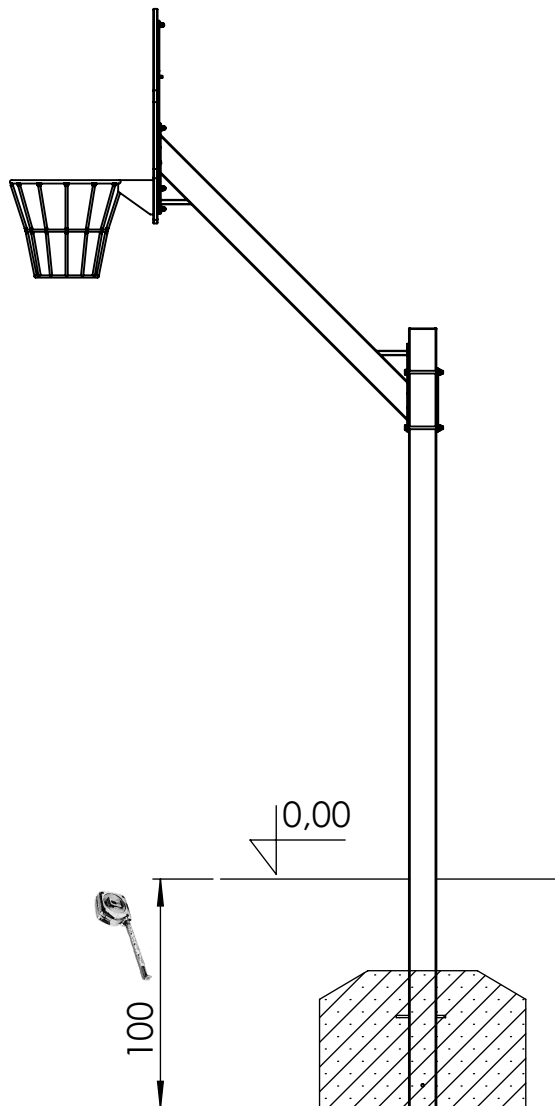
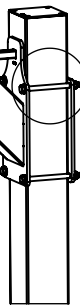
**24e012**

[cm]

**vinci  
play**



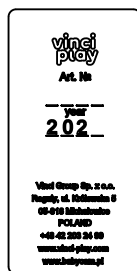
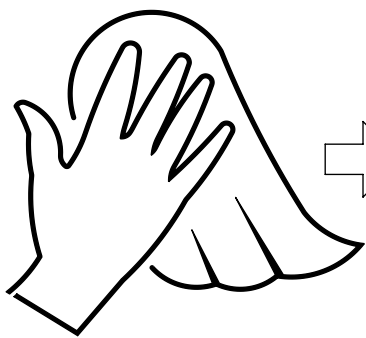
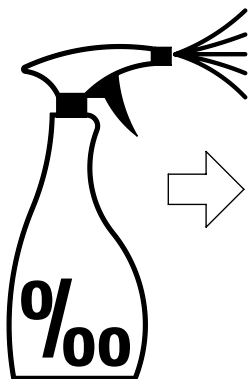
1x 24e028



[cm]

vinci  
play





V003

