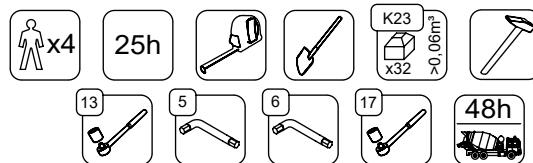
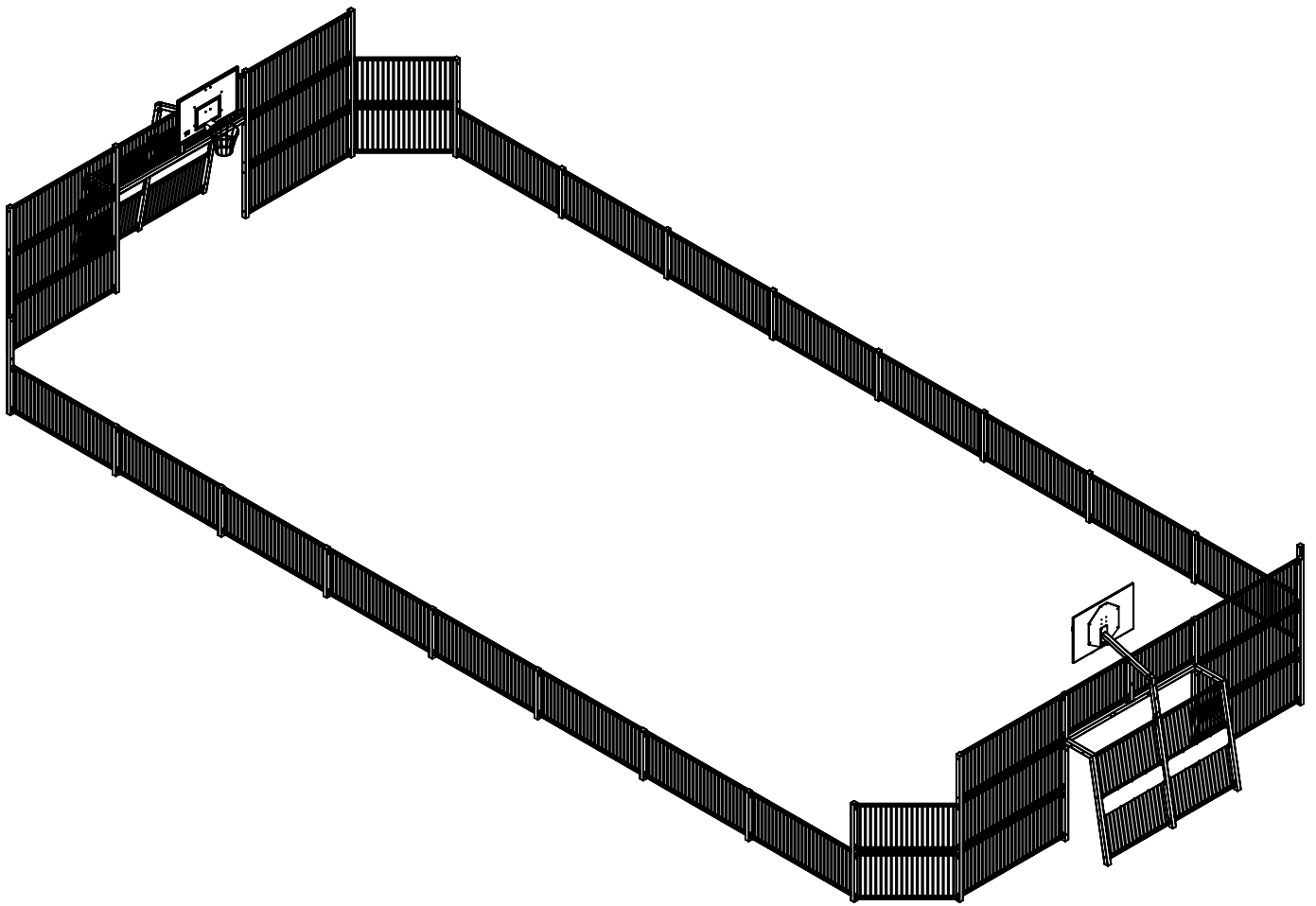
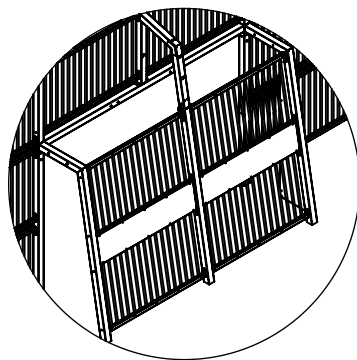
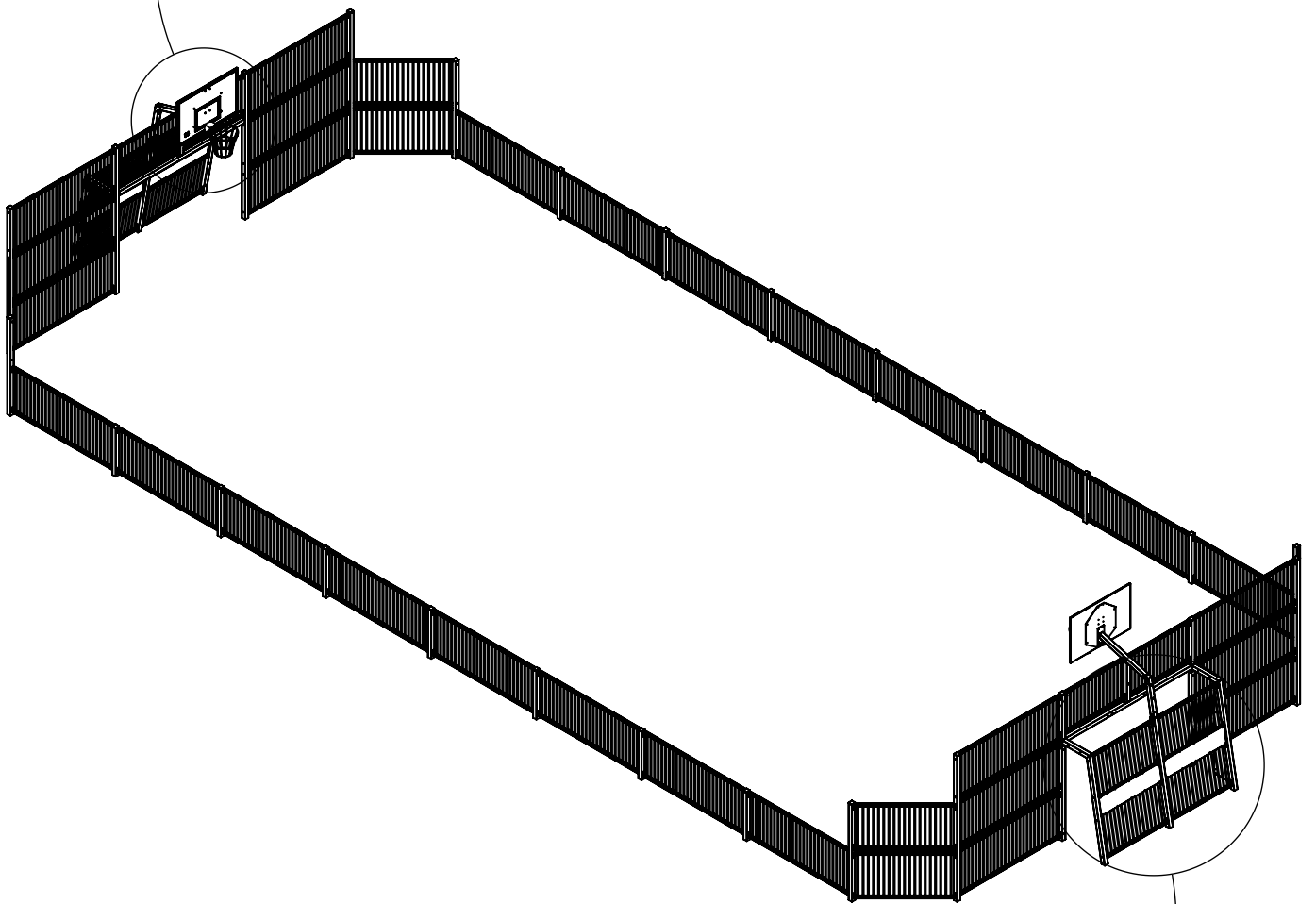
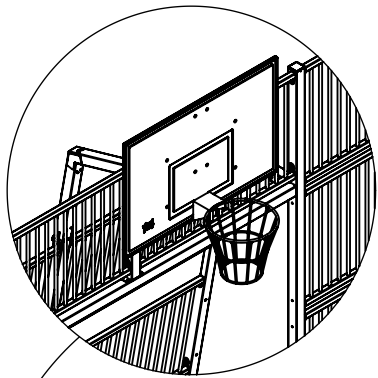


242311-001



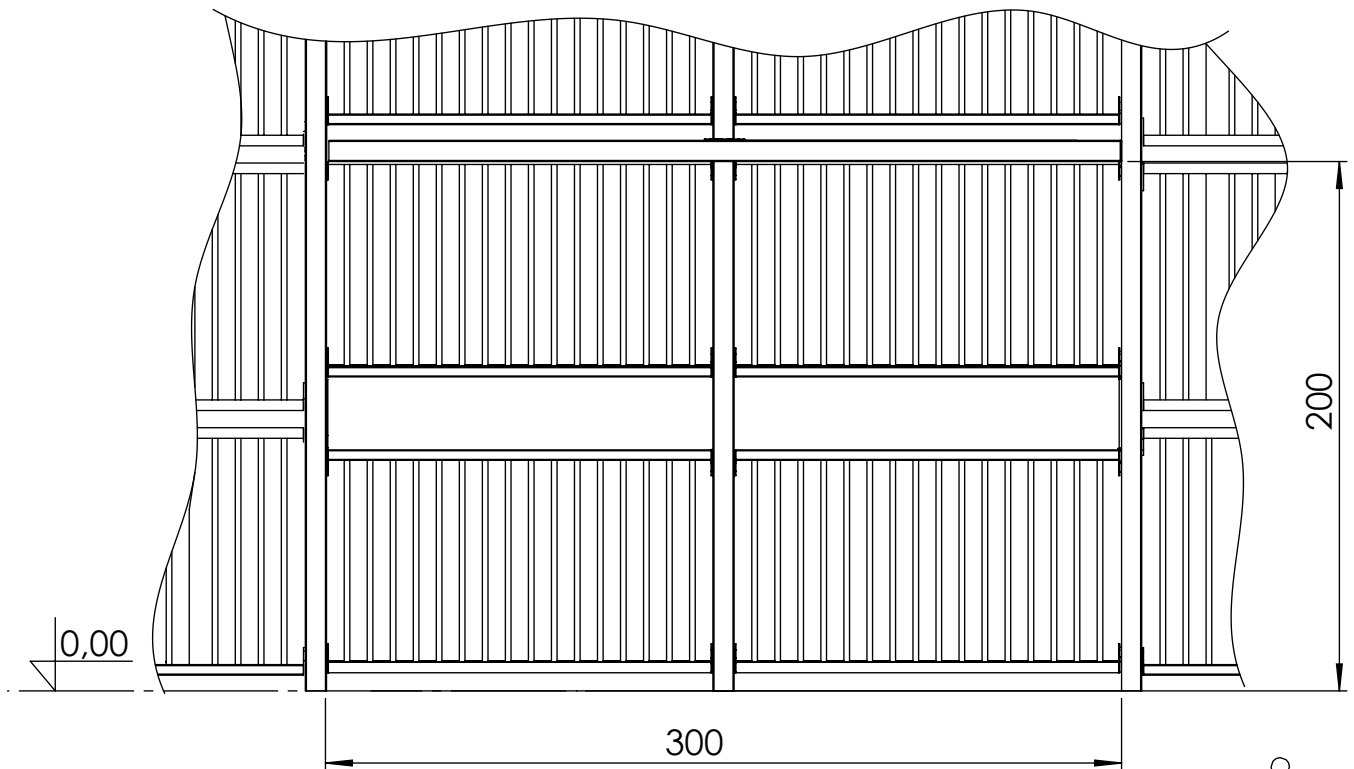
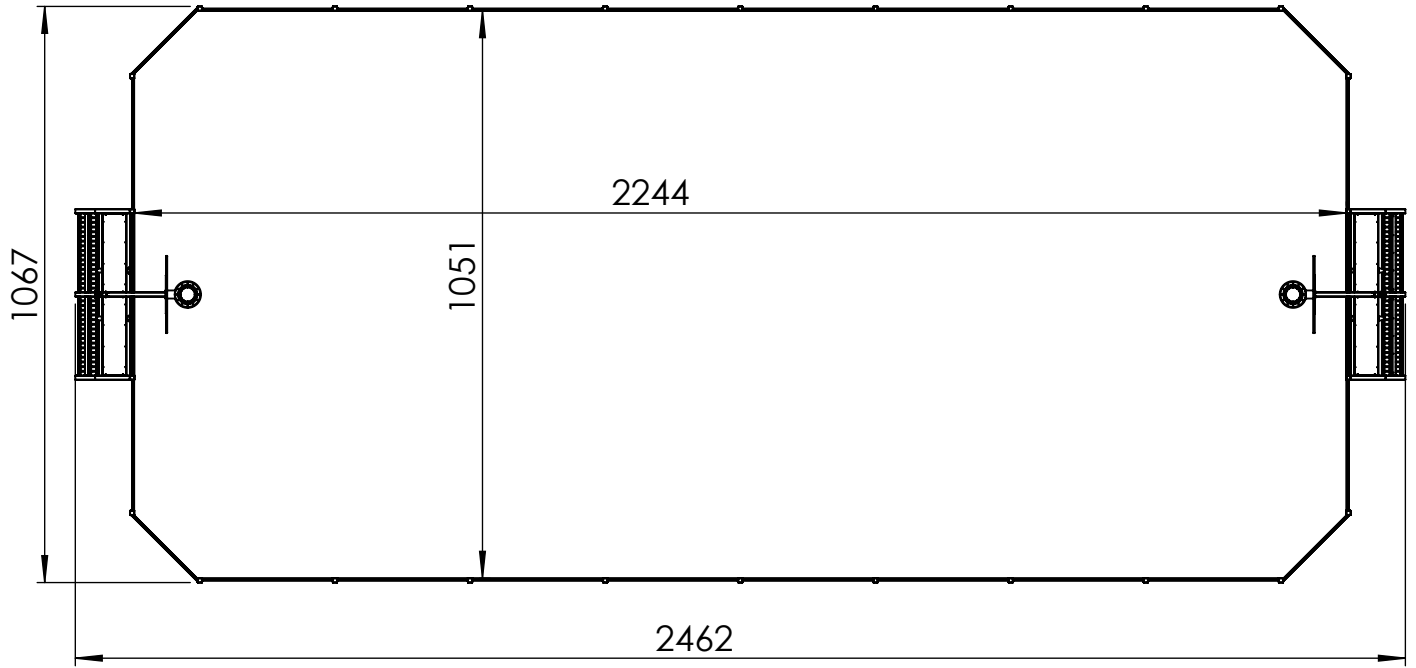
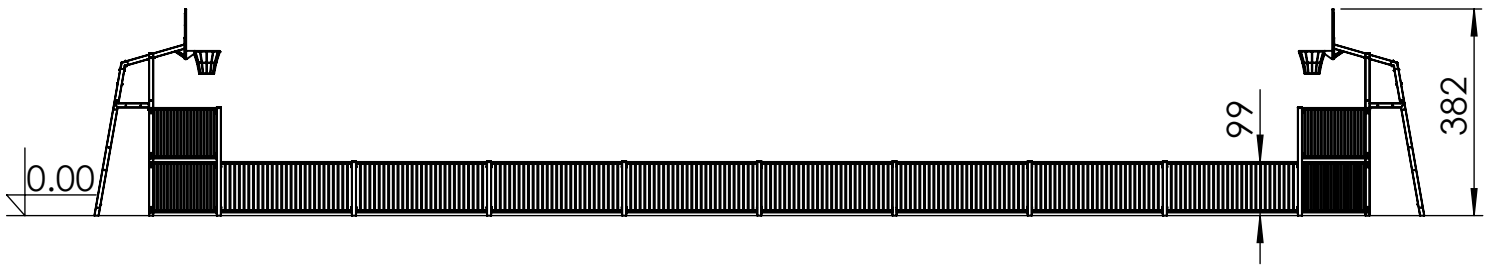
v010
26.10.2023
I.A.
[cm]

vinci
play



[cm]

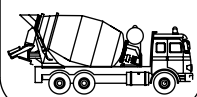
vinci
play



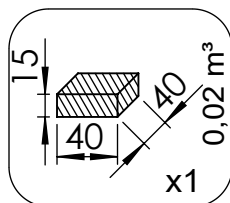
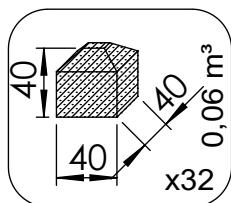
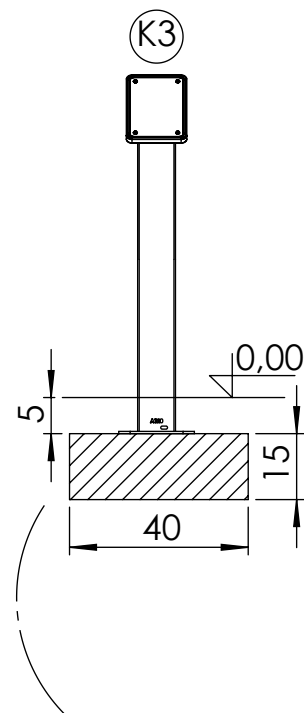
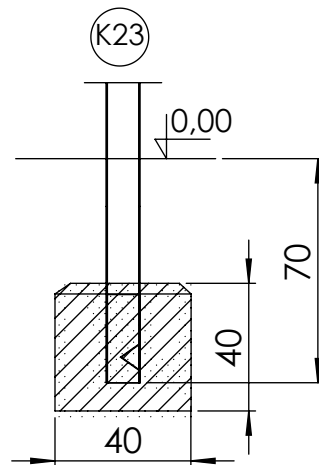
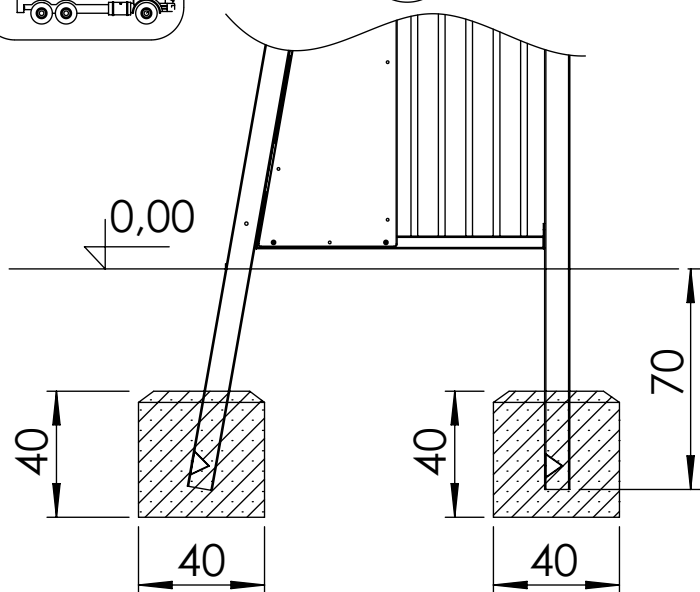
[cm]

vinci
play

48h



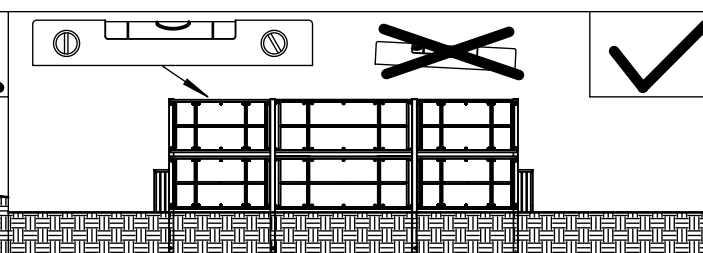
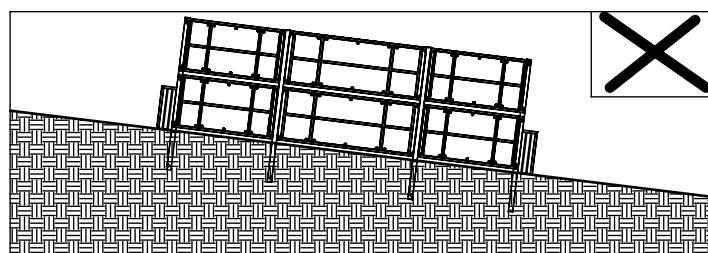
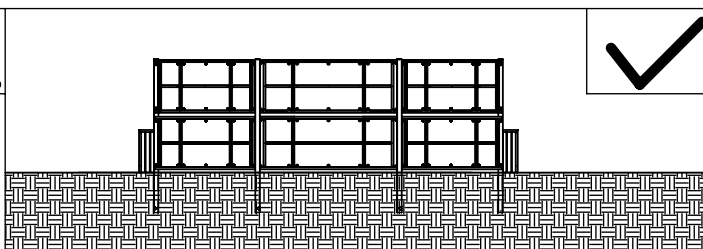
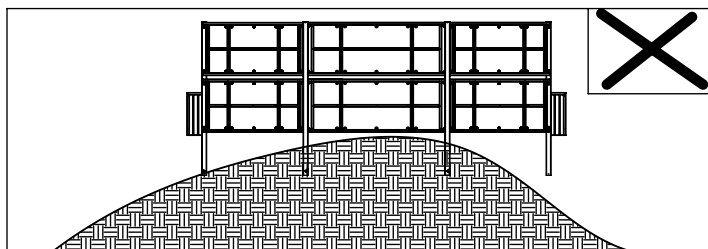
K23



4x M10x120 (K3)

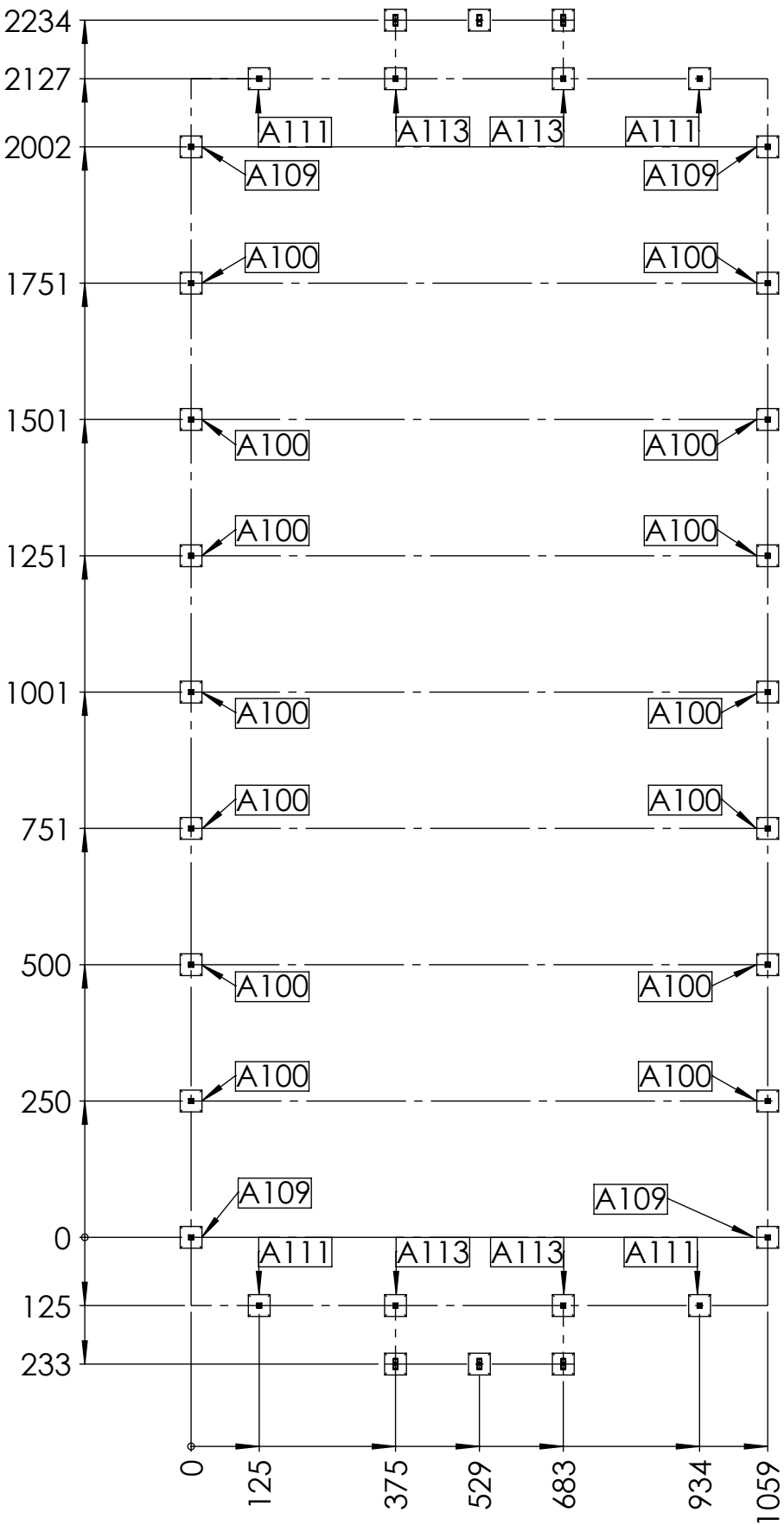
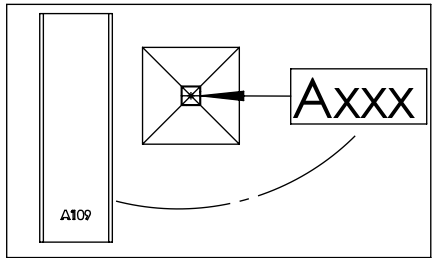


NOT INCLUDED



[cm]

vinci play



[cm]

vinci play



A113
x4



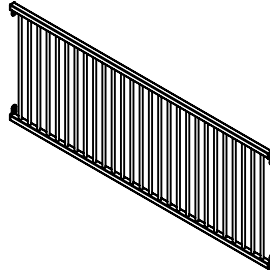
A111
x4



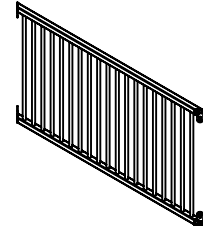
A109
x4



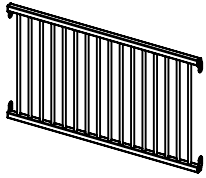
A100
x14



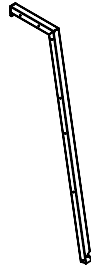
242100
x28



242144
x8



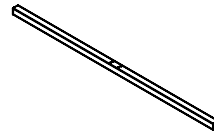
242139
x12



242115
x4



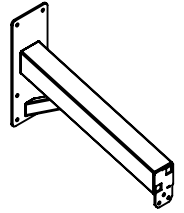
242113
x2



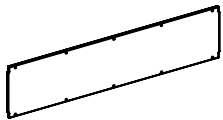
242112
x2



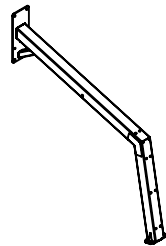
242114
x2



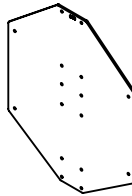
242147
x1



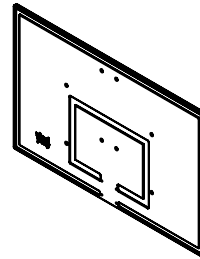
241109
x4



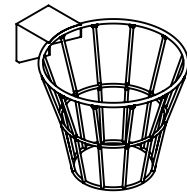
242111
x2



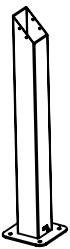
b799
x2



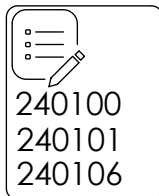
241104
x2



206100
x2



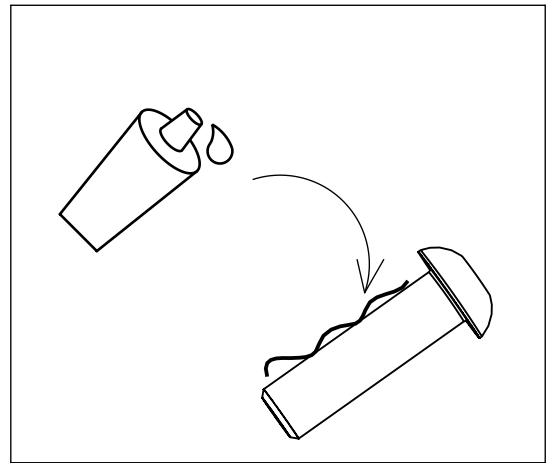
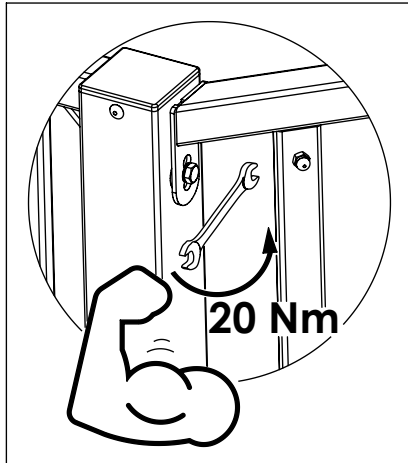
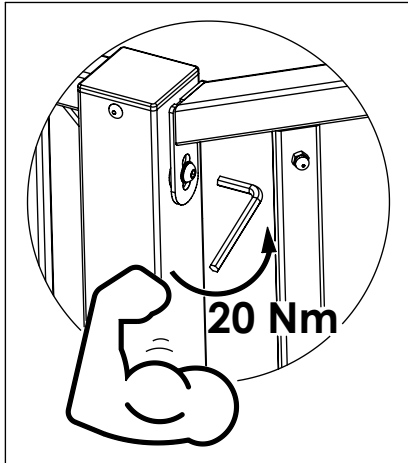
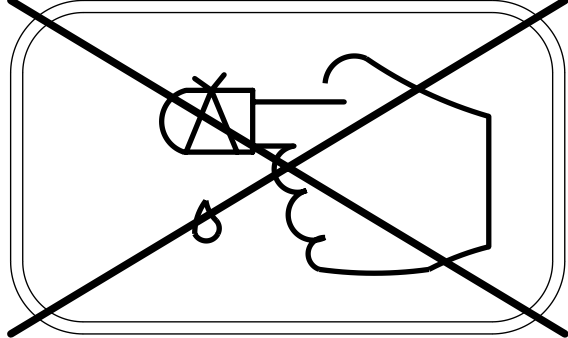
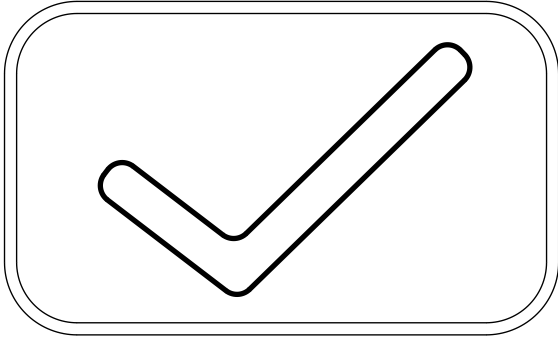
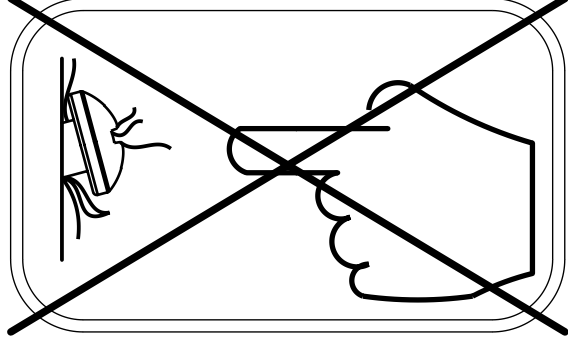
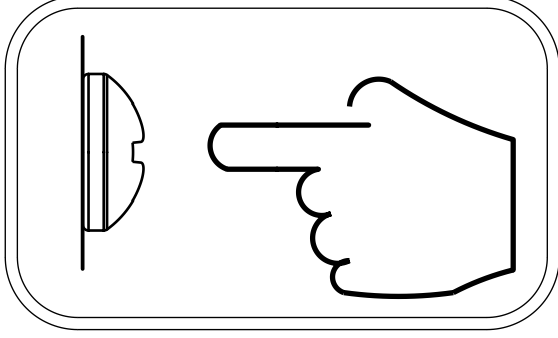
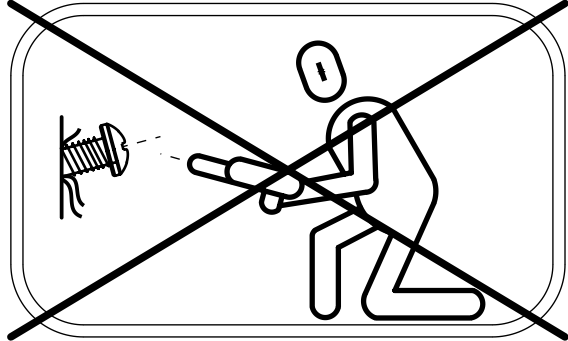
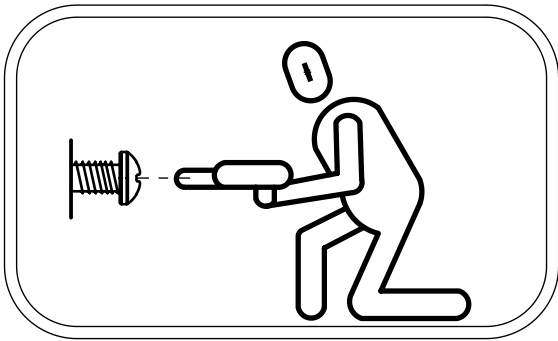
242148
x1

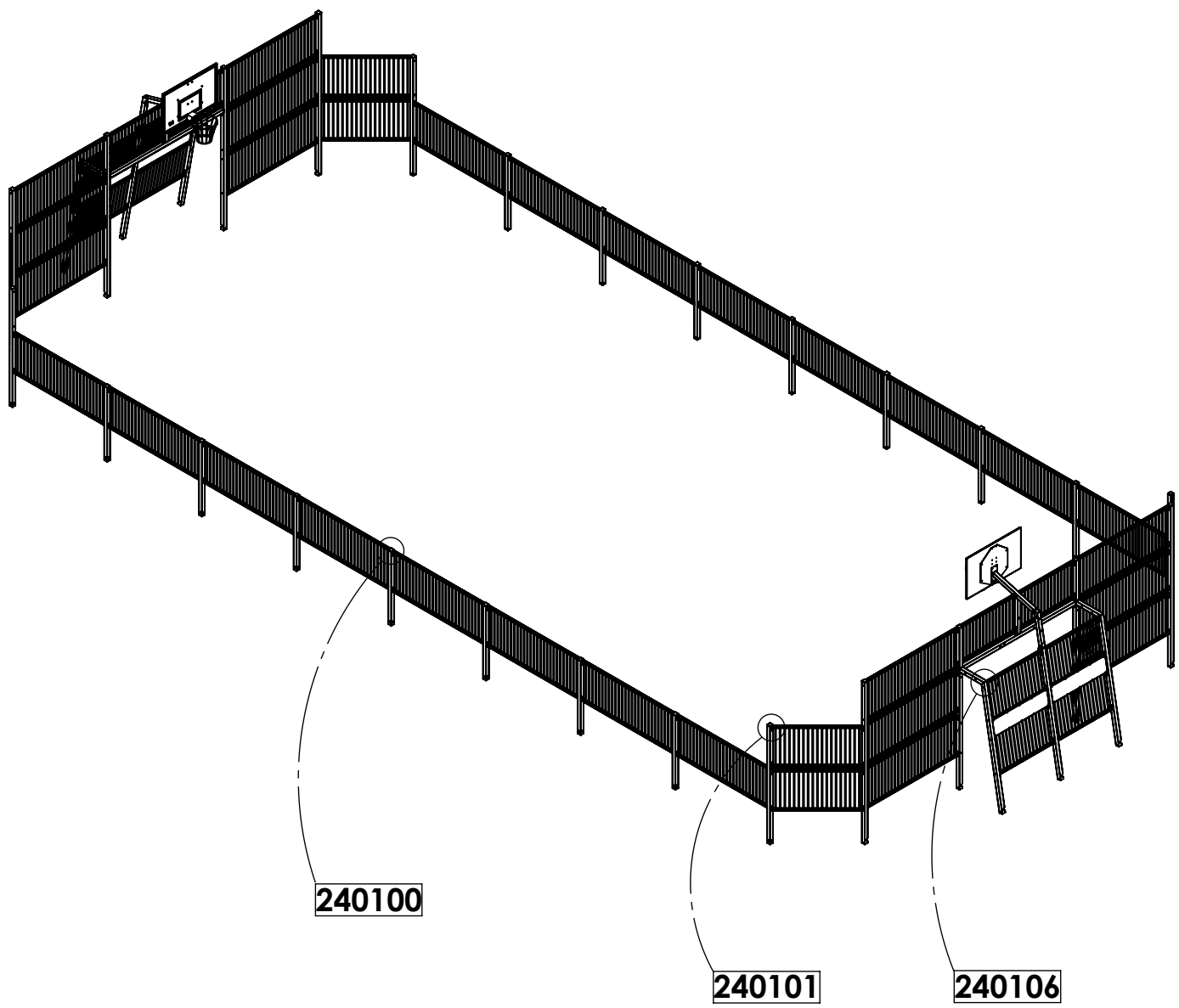


240100
240101
240106

40x	8x30ikl
80x	8x25ikl
76x	10x25ikl
76x	10pp
80x	8pp
24x	24e001
16x	24e007
2x	24e012
2x	24e013
2x	24e014
2x	24e017
2x	24e018

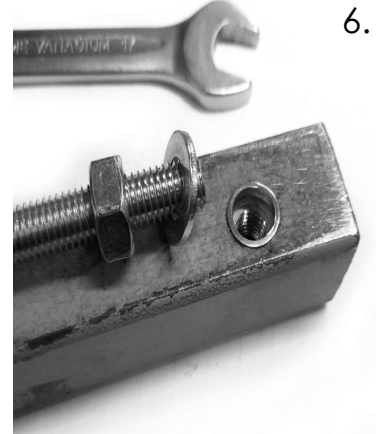
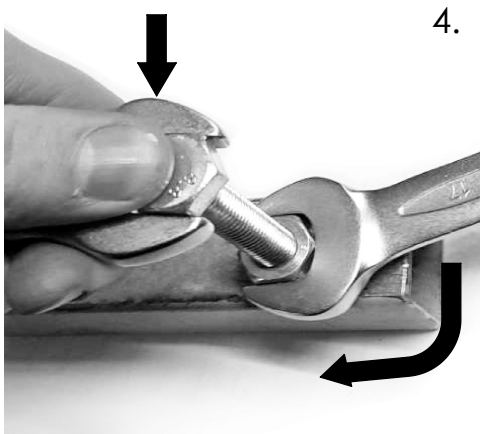
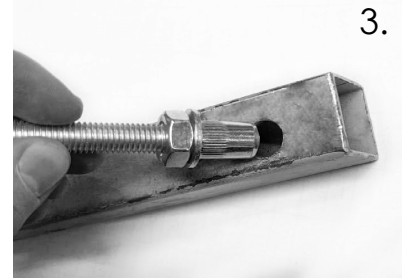
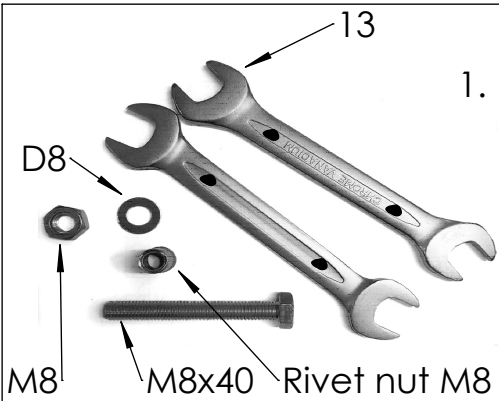
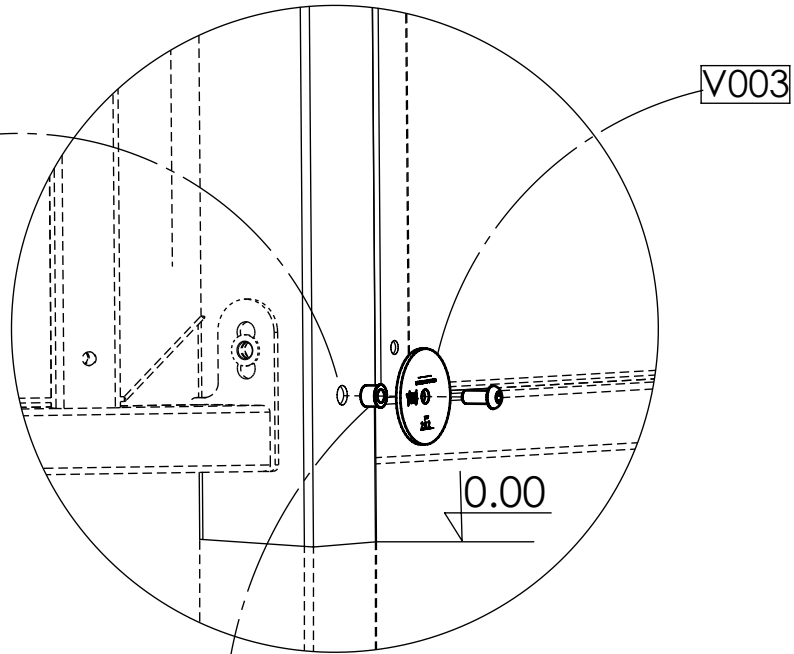
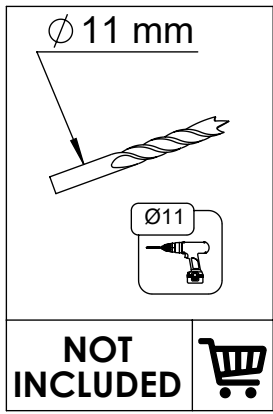
4x	24e023
4x	24e025
2x	24e027
1x	V003
1x	24e005
1x	24e006
1x	246103





[cm]

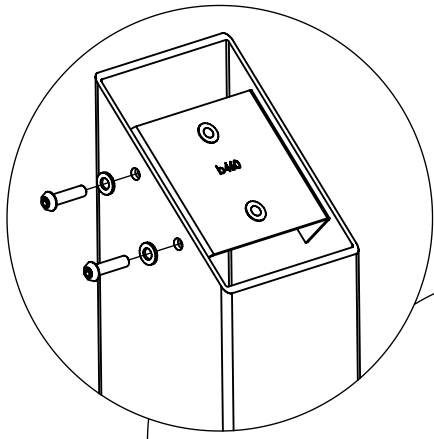
vinci
play



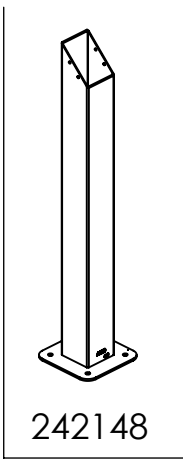
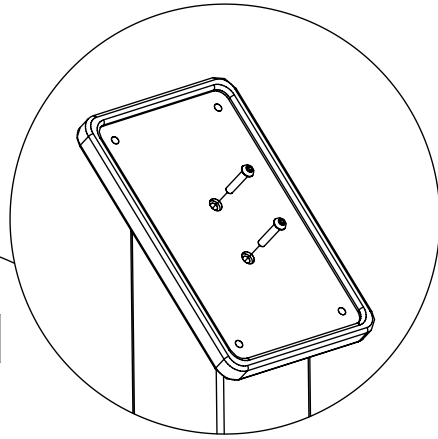
Keep the head of the screw still (it can not rotate!)
 - then by using short wrench - rotate/screw only
 the bottom part of solution - the nur. Attention!
 - do not put much power for this operation
 (otherwise the rivet nut will be damaged!).
 The difference between screw head and the
 nut should change from 3mm to 8mm

After that unscrew screws

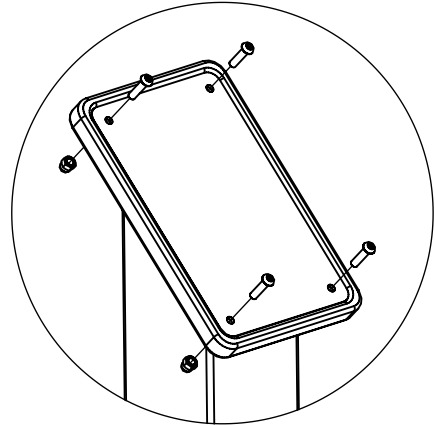
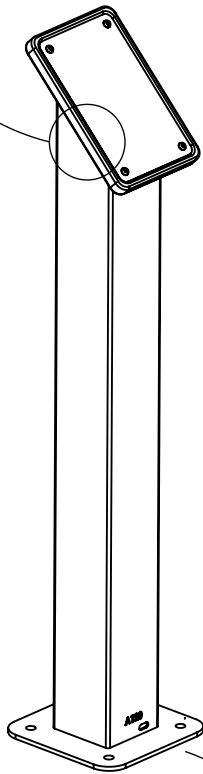
Final effect



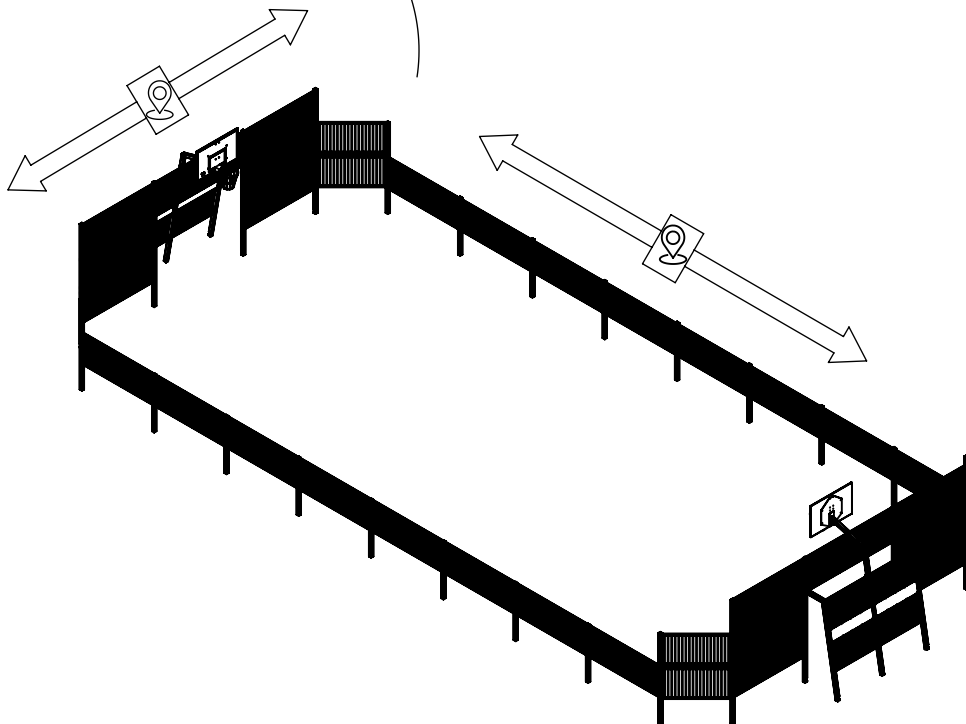
24e006



242148



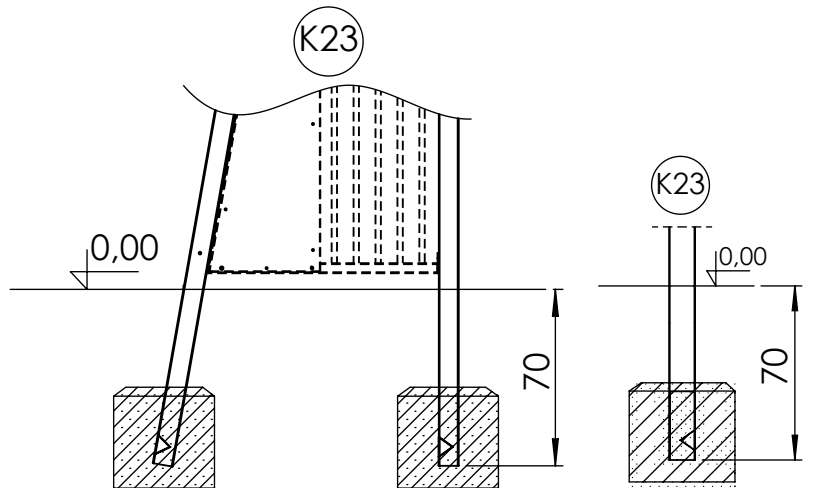
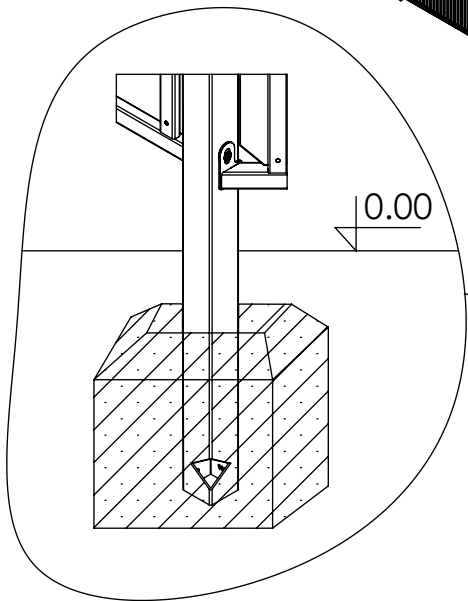
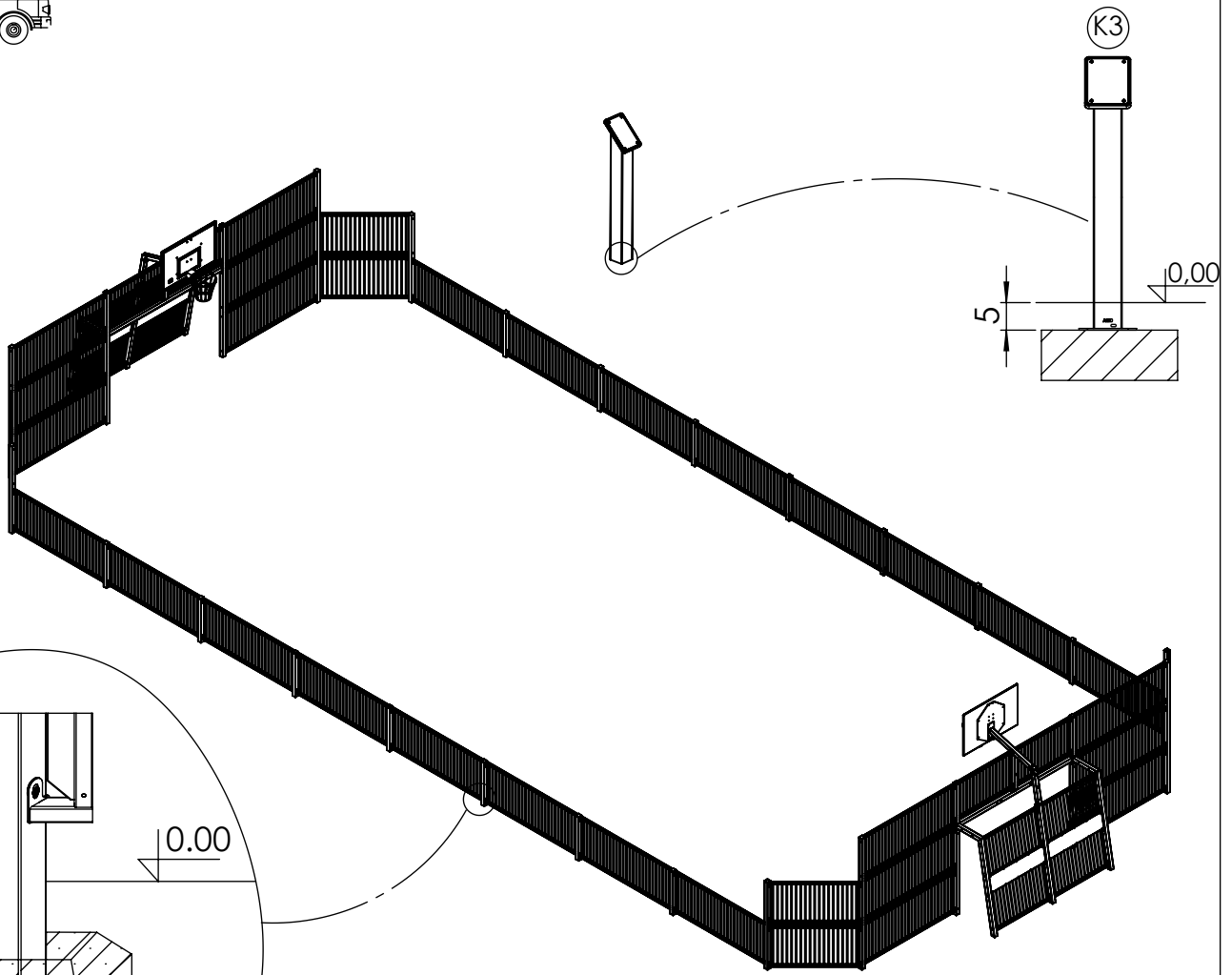
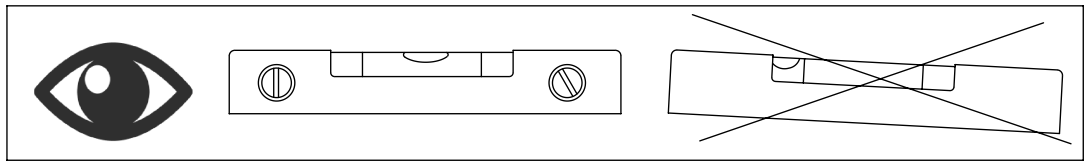
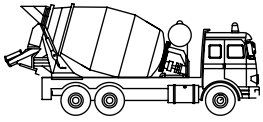
24e005



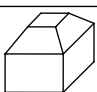
[cm]

vinci
play

48h



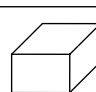
K23



x32

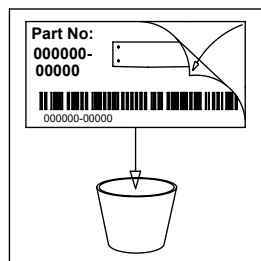
>0,06m³

K3



x1

>0,02m³



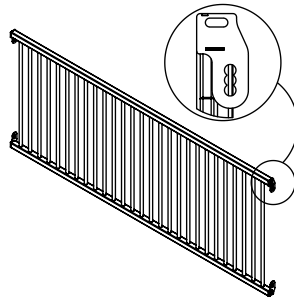
vinci play

[cm]

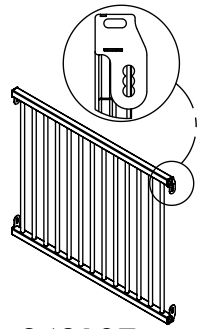
240100



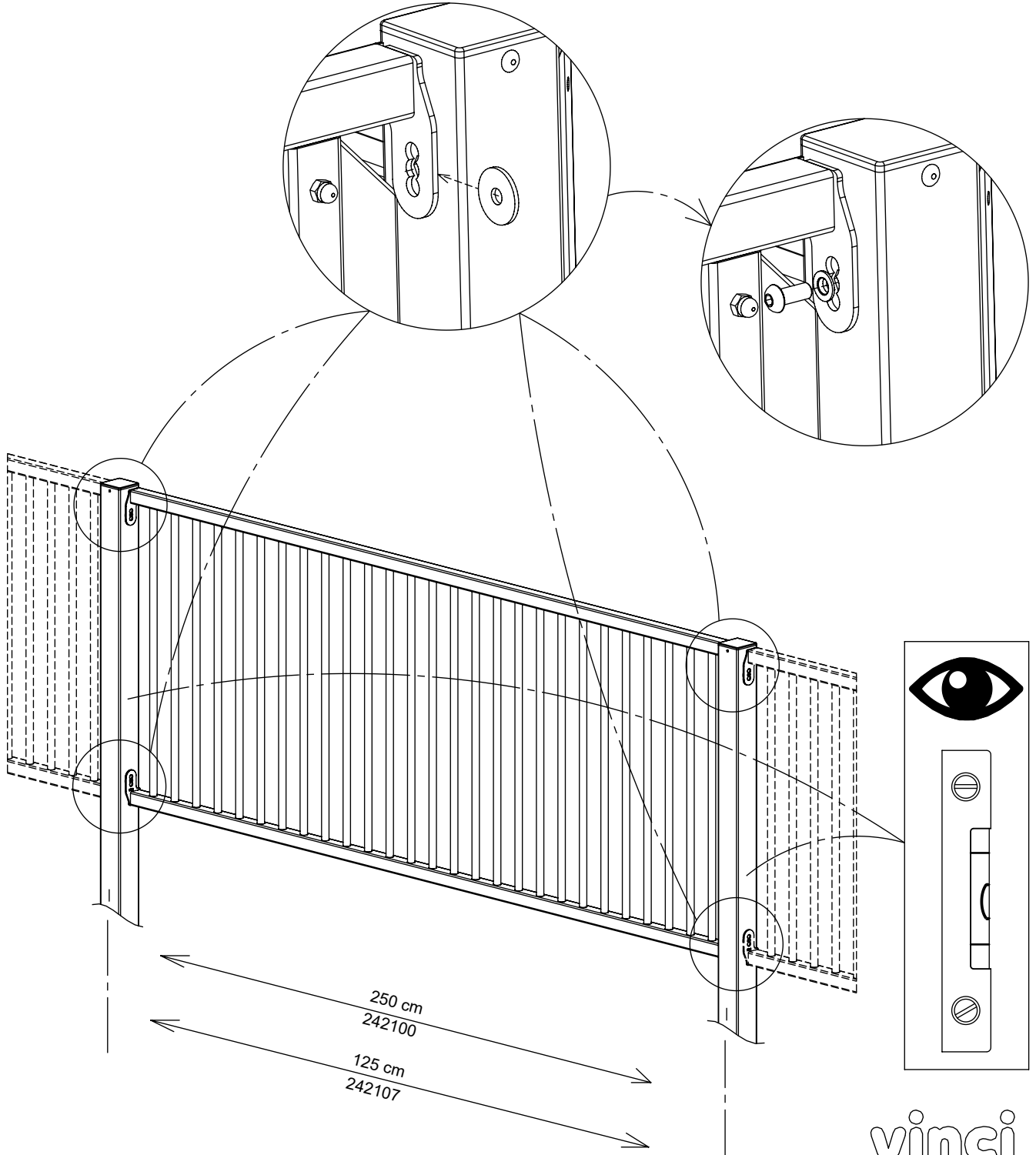
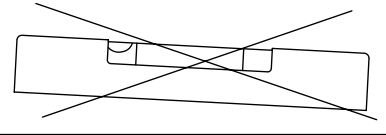
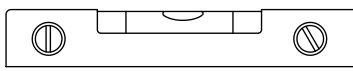
24e001



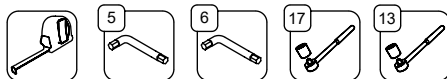
242100



242107



[cm]

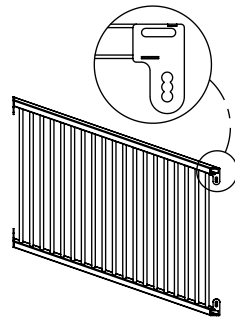


vinci
play

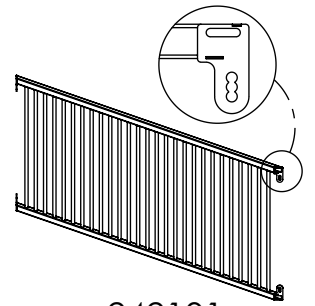
240101



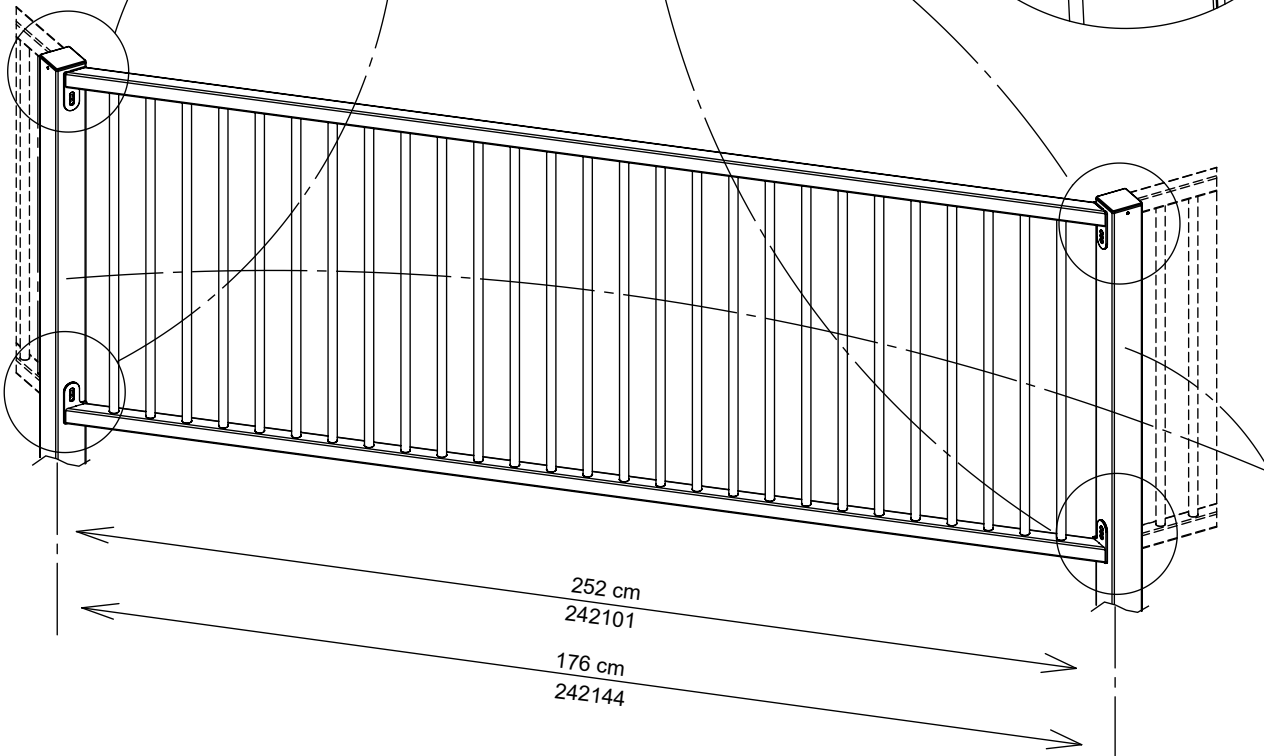
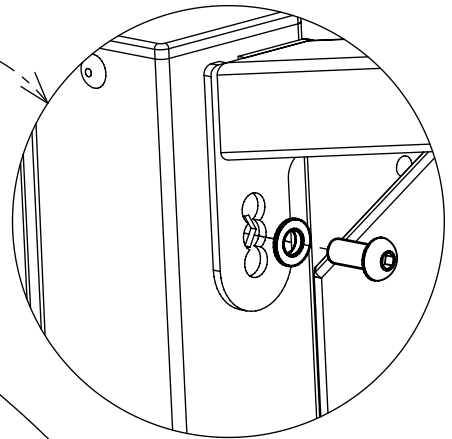
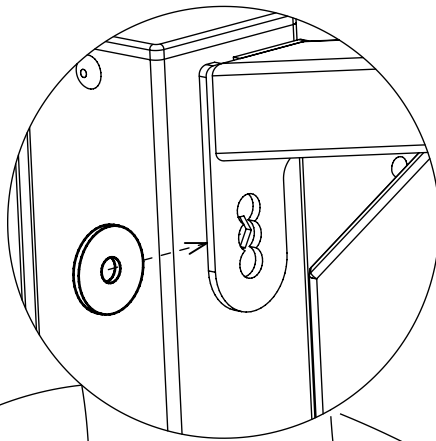
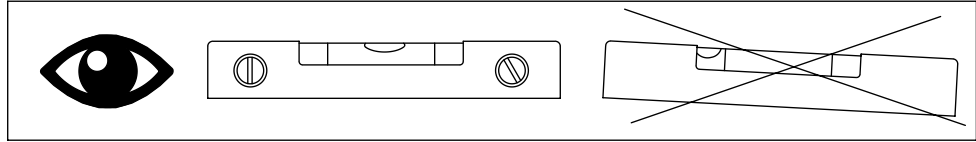
24e001



242144



242101



252 cm
242101

176 cm
242144



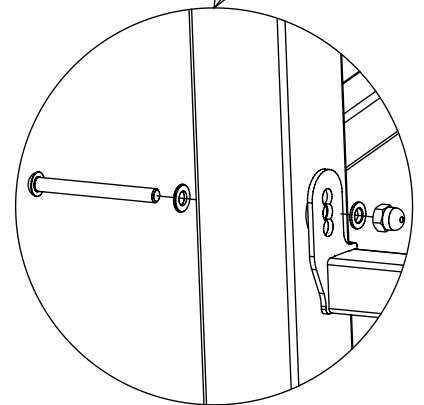
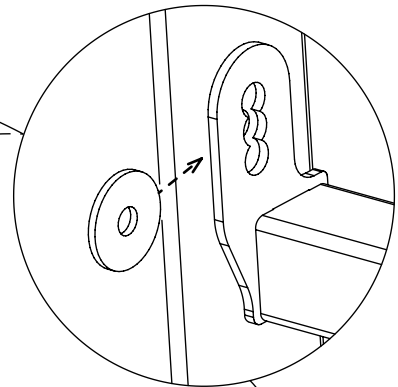
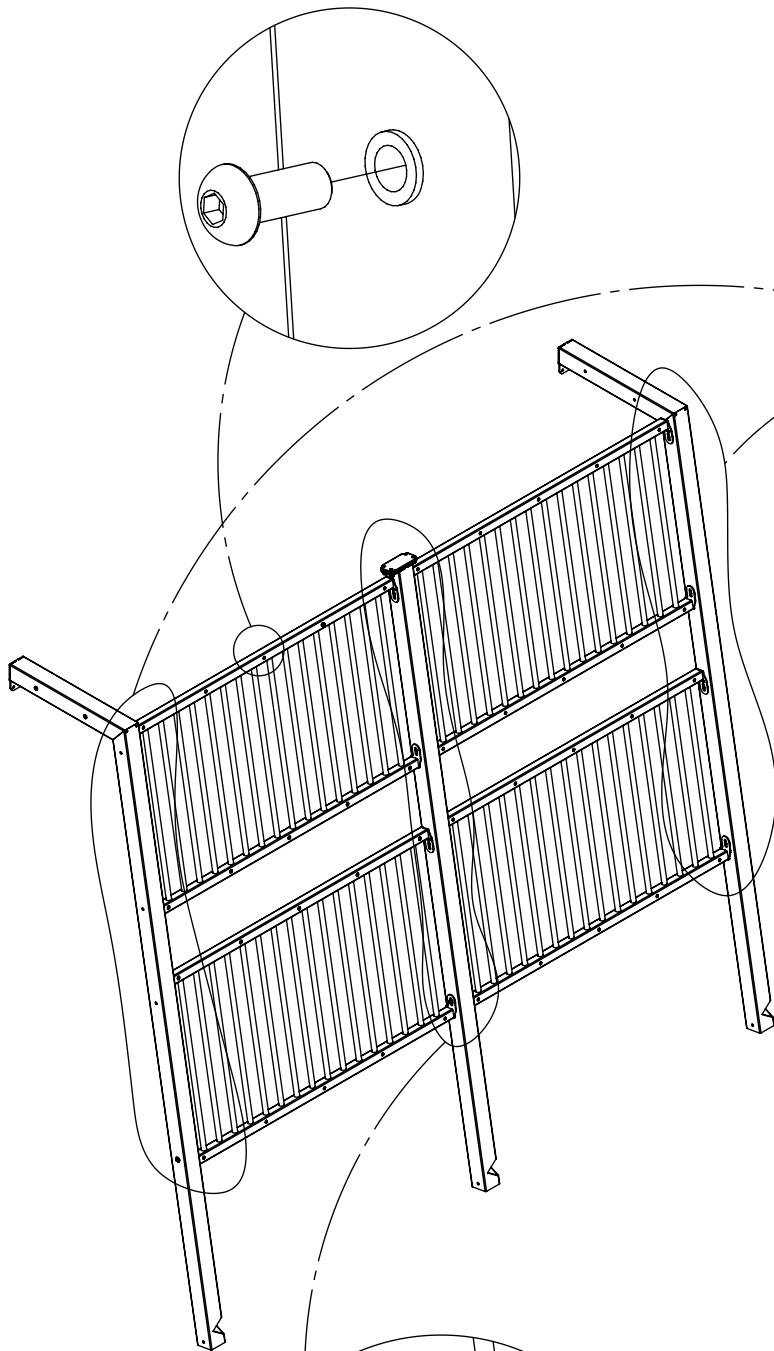
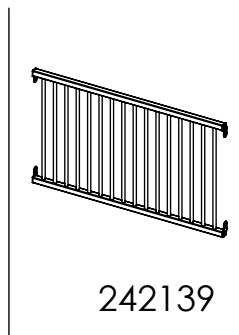
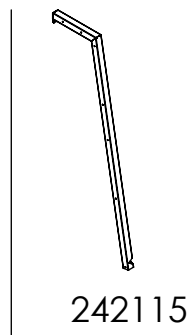
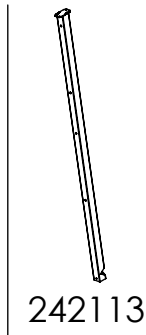
vinci
play

[cm]

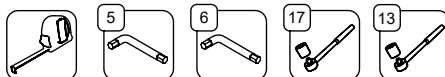
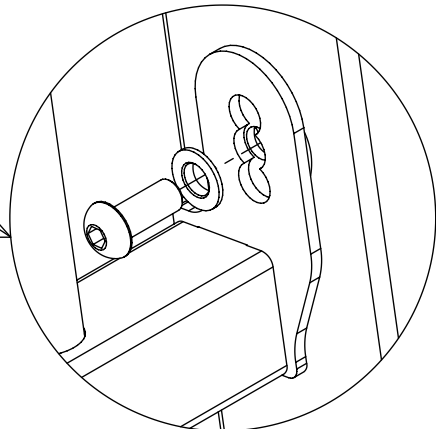
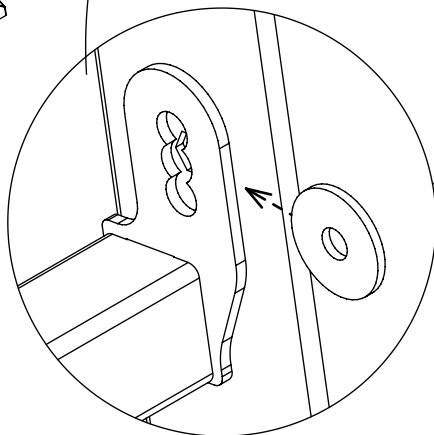
240106

20x **8x25ikl**

20x **8pp**

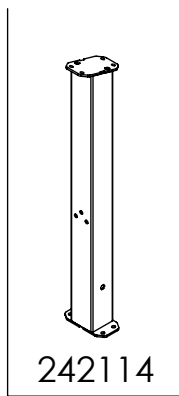


4x **24e007**

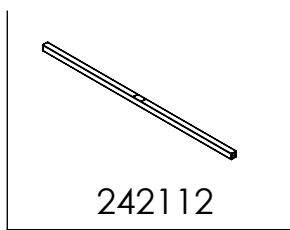


[cm]

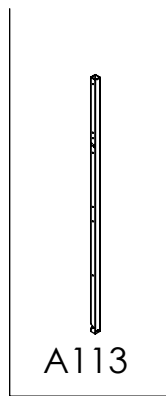
vinci
play



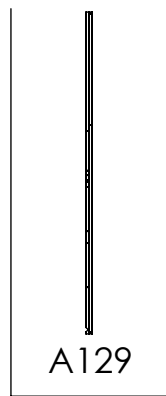
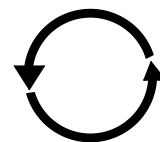
242114



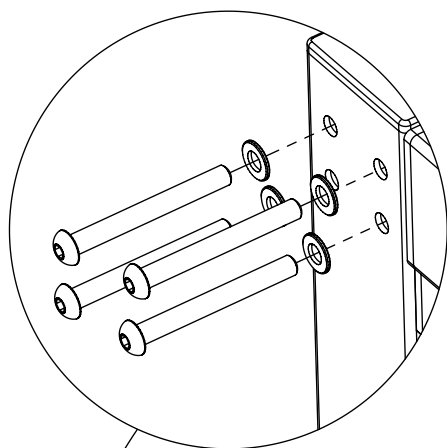
242112



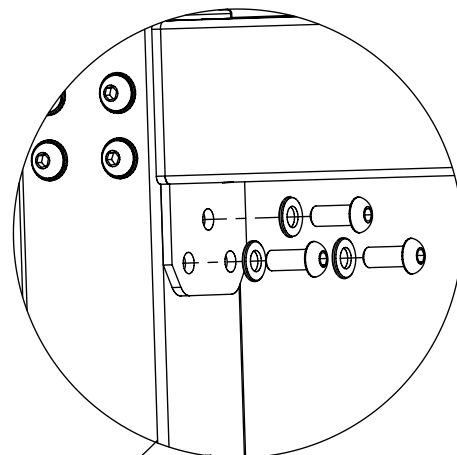
A113



A129

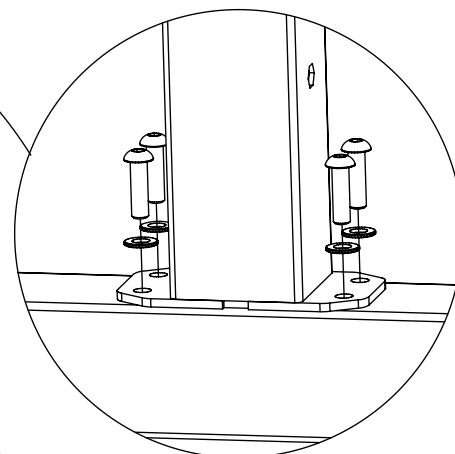
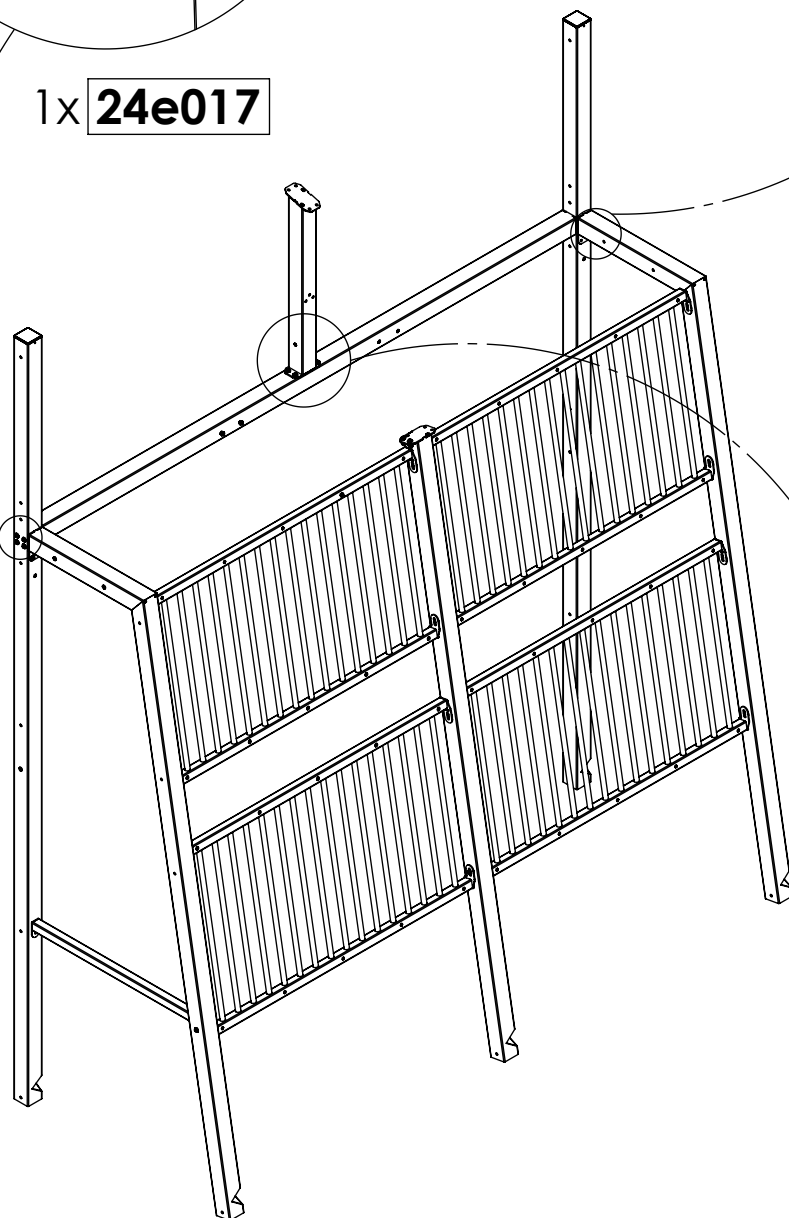


1x **24e017**



6x **10x25ikl**

6x **10pp**

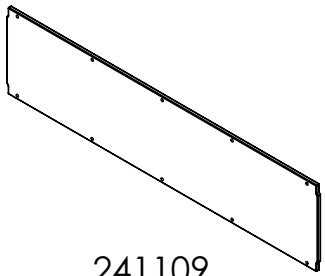


4x **10x25**

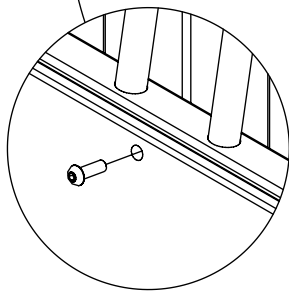
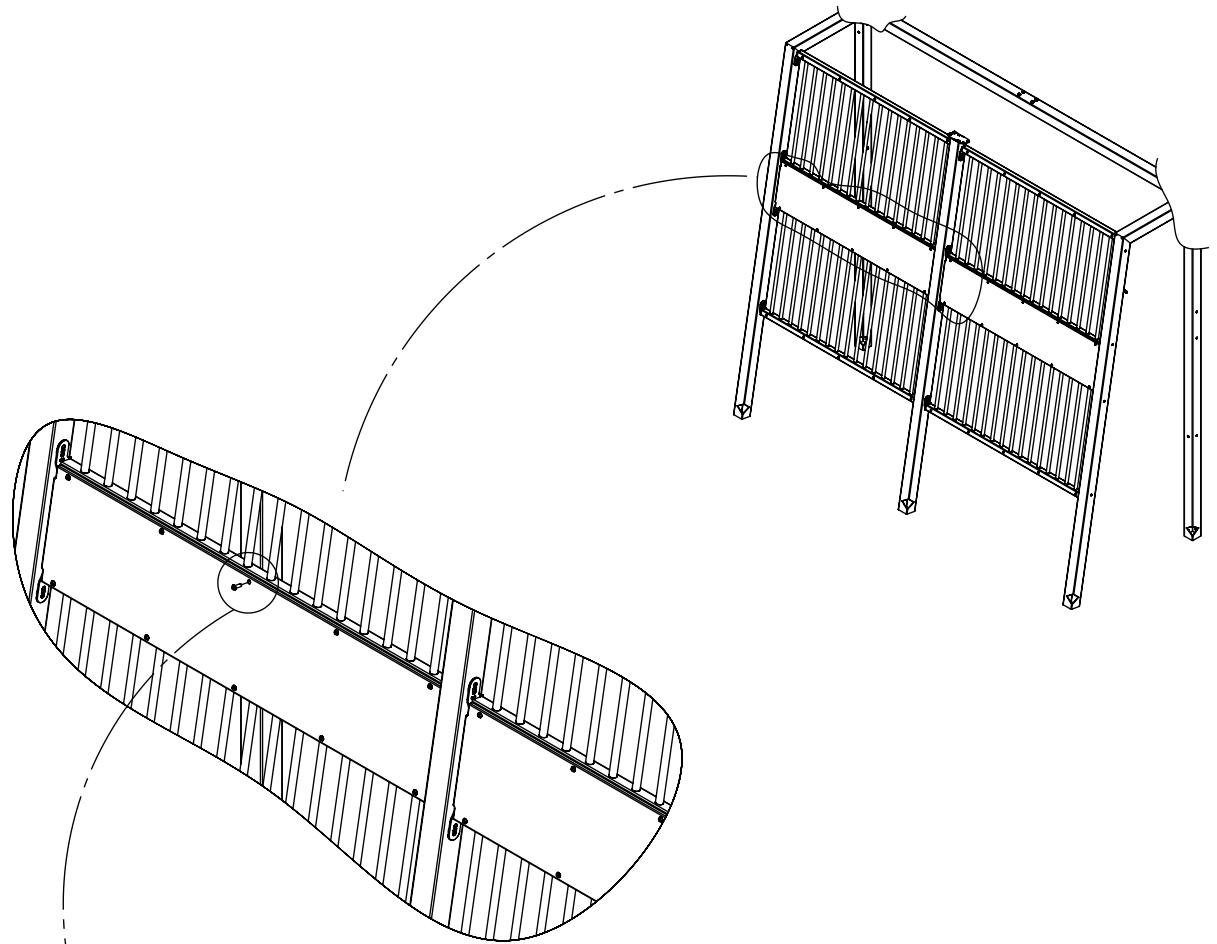
4x **10pp**

[cm]

vinci
play



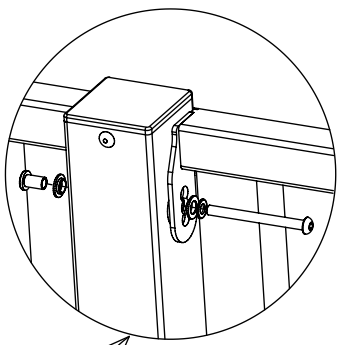
241109



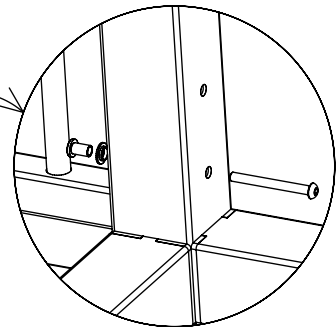
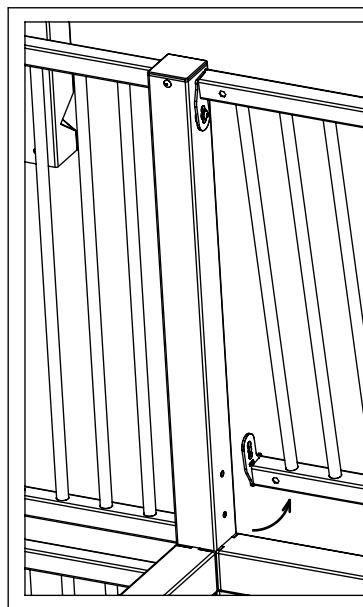
20x **8x30ikl**

[cm]

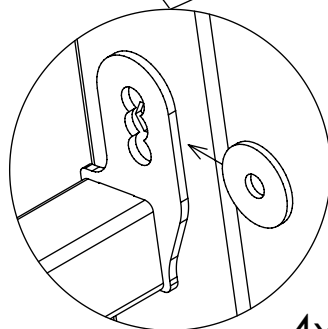
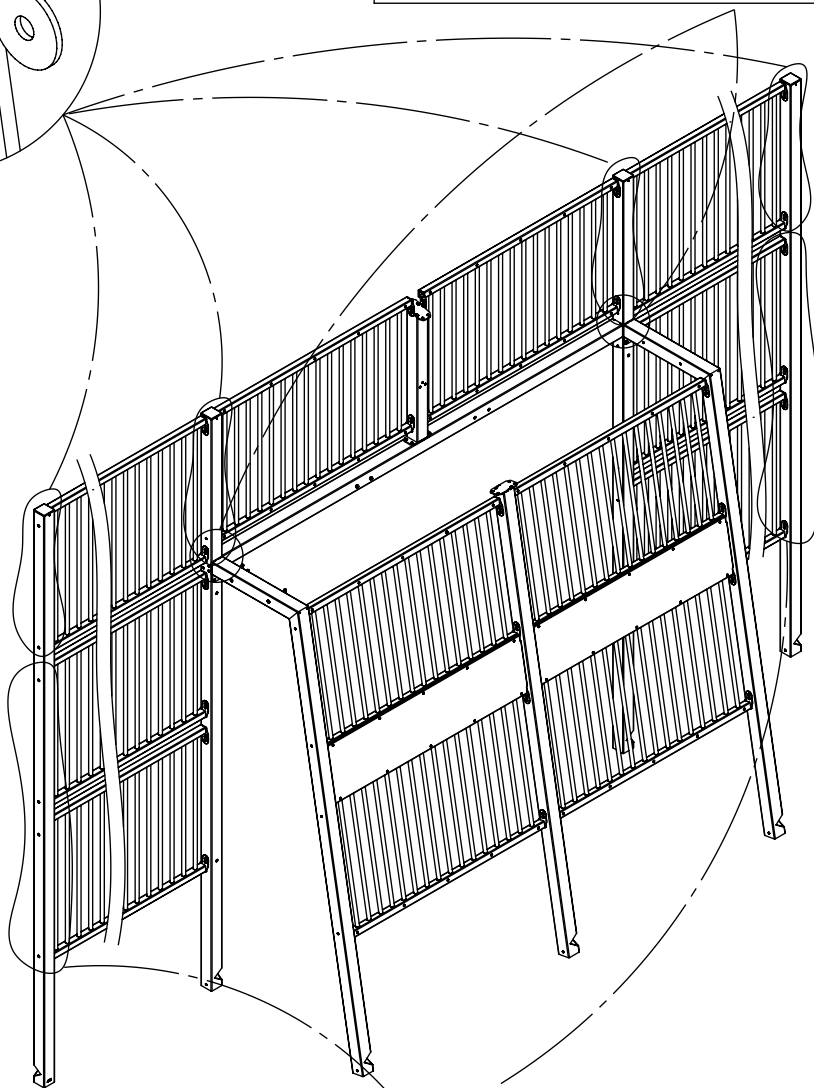
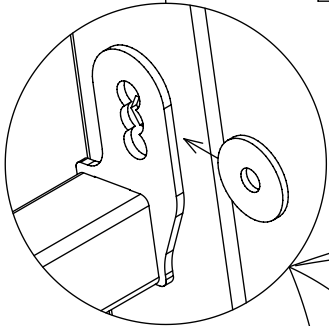
vinci
play



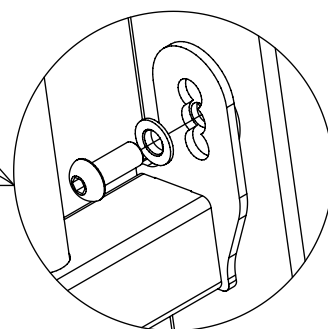
2x **24e023**



24e023

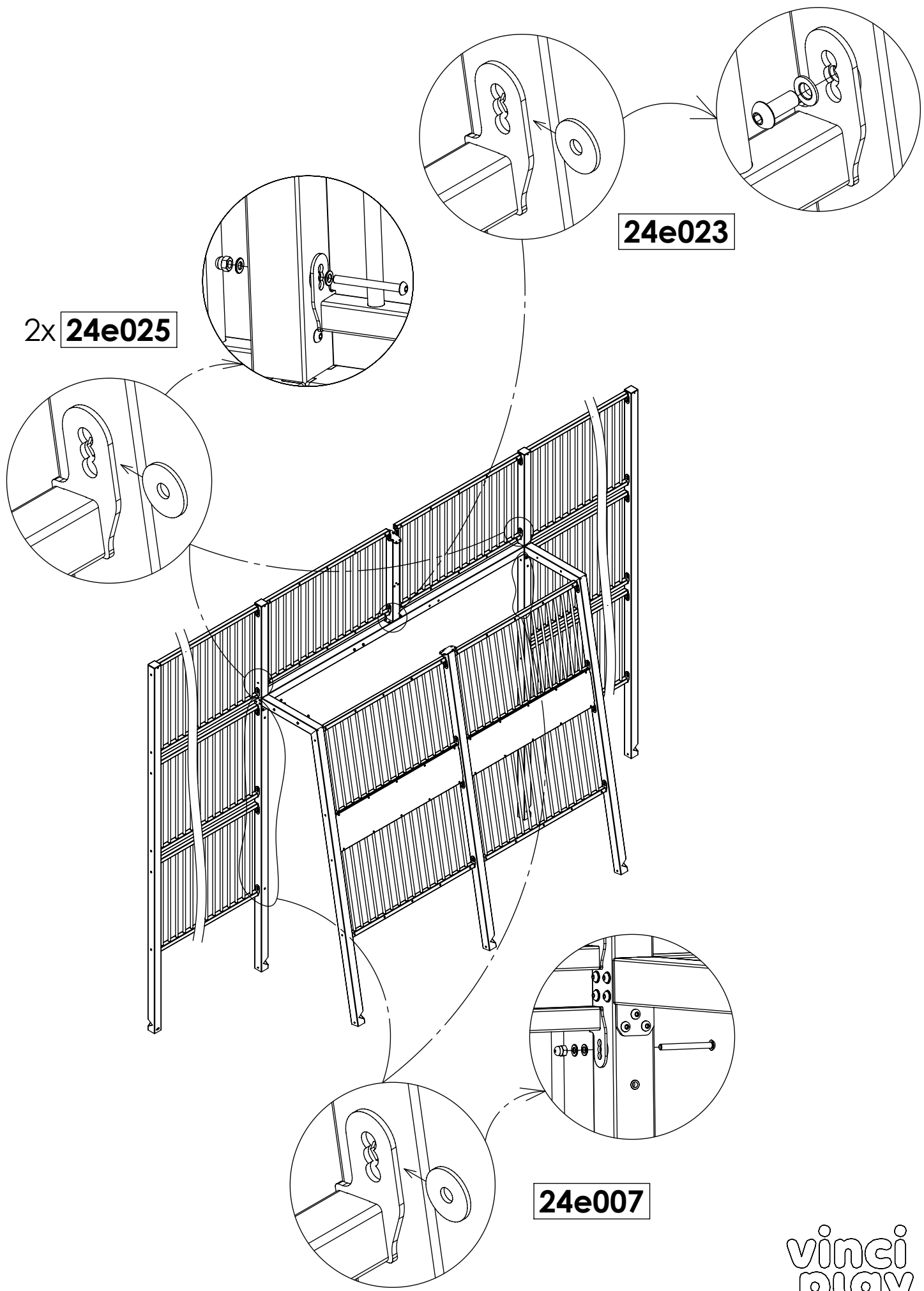


4x **24e007**



[cm]

vinci
play



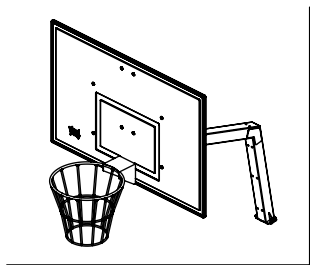
24e023

2x 24e025

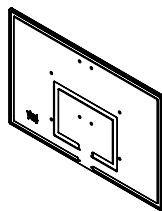
24e007

[cm]

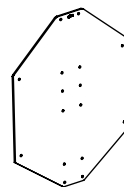
vinci
play



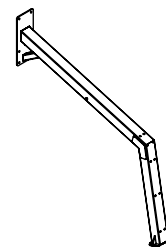
206100



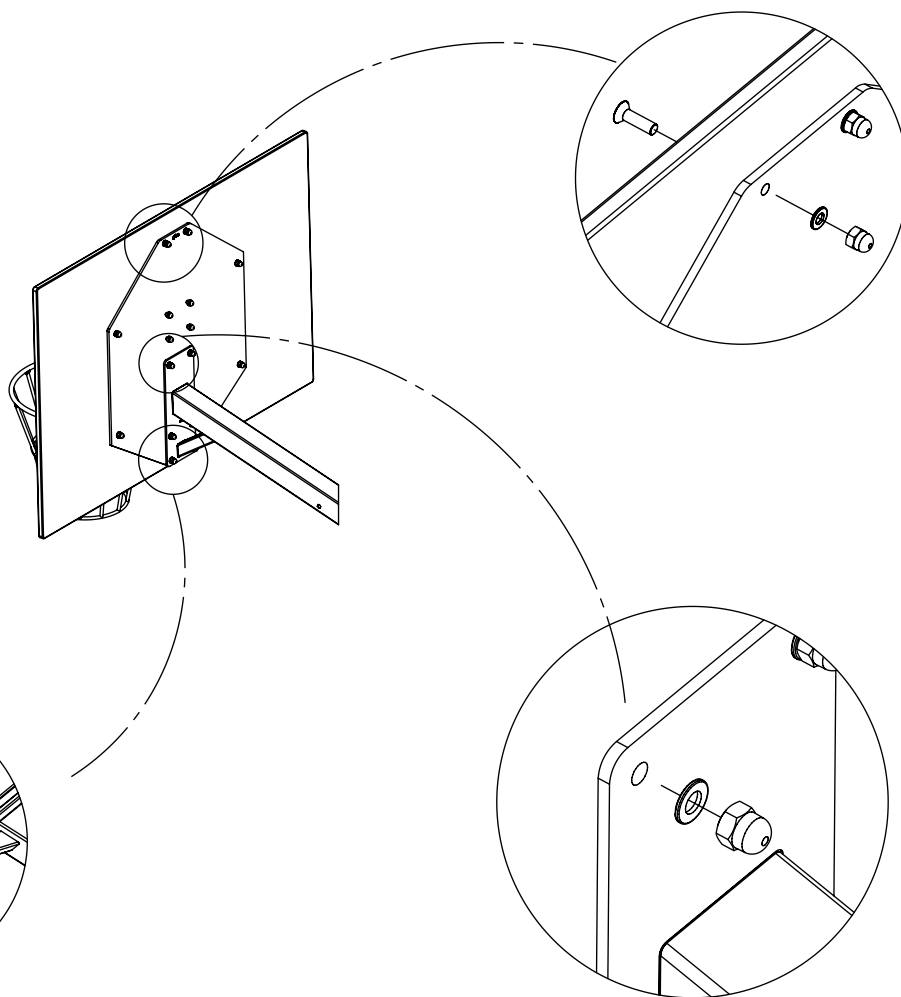
241104



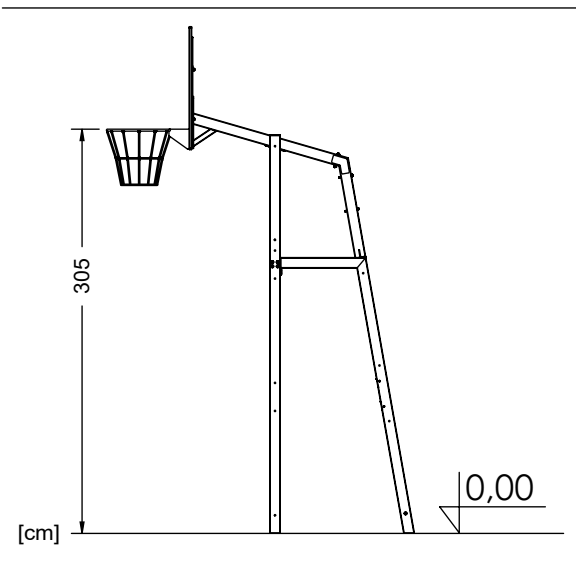
b799



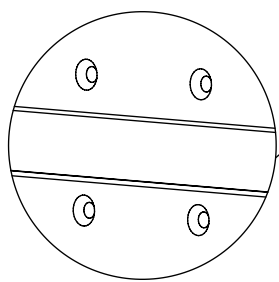
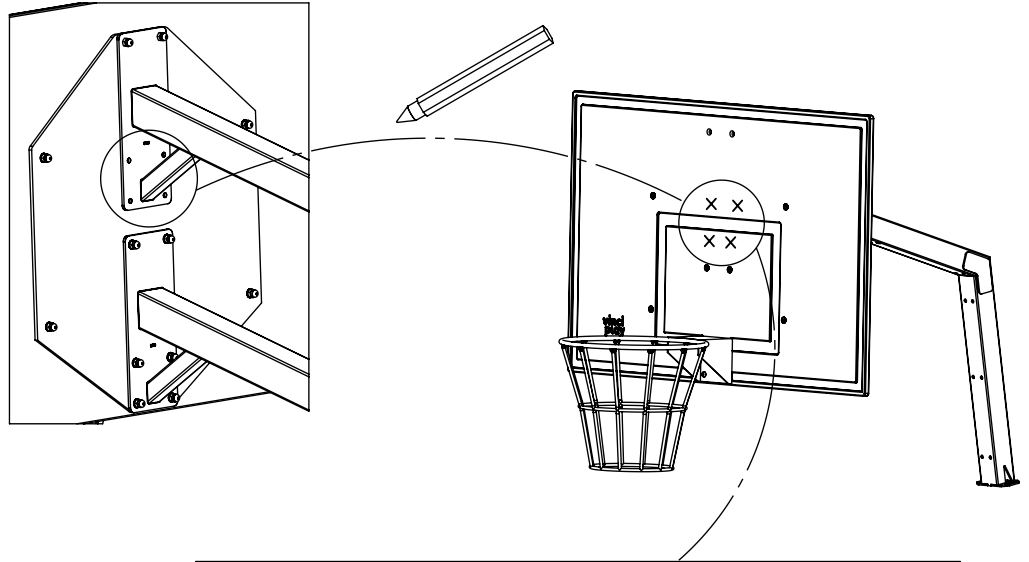
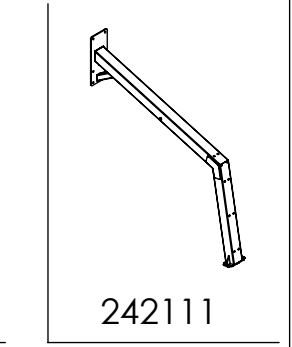
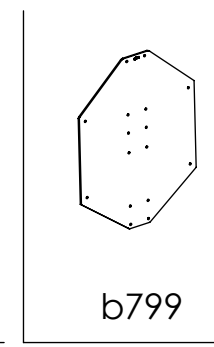
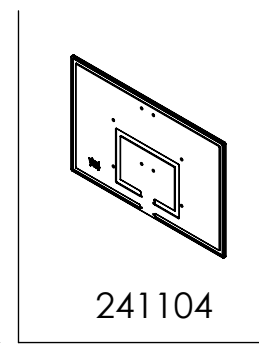
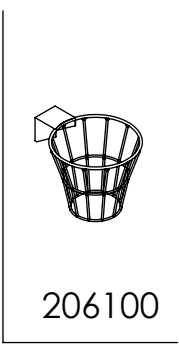
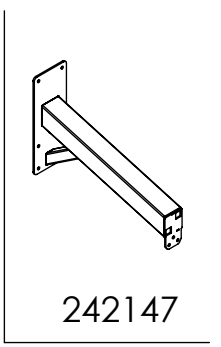
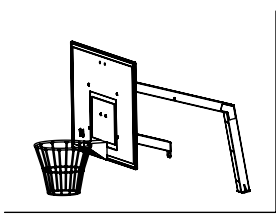
242111



1x **24e012**



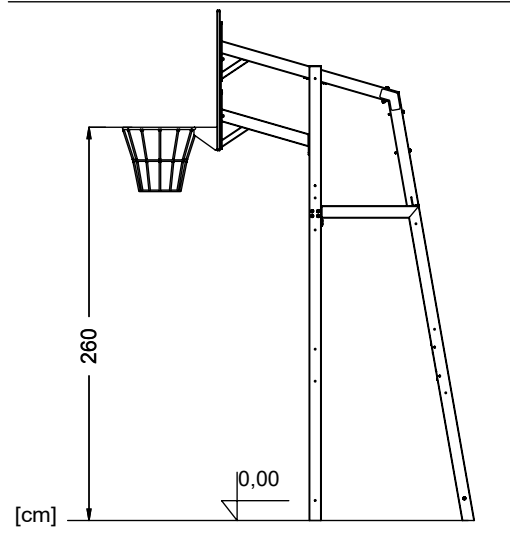
vinci
play

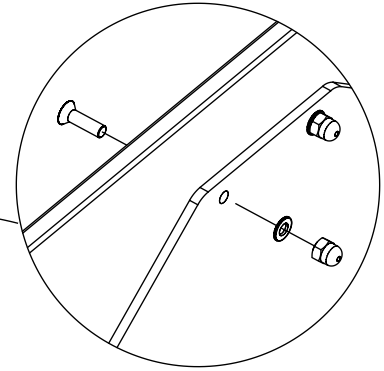
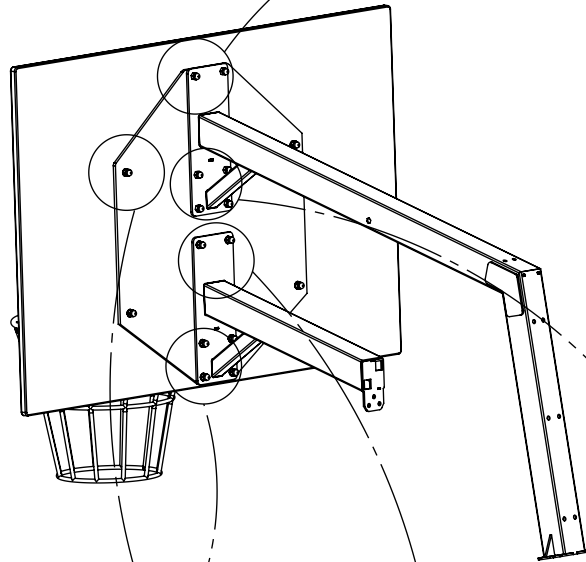
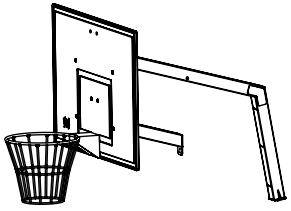


1x **24e013**

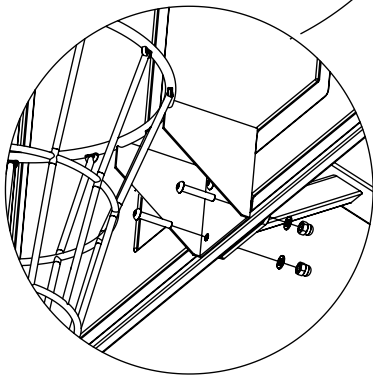
Ø 11 mm

NOT INCLUDED

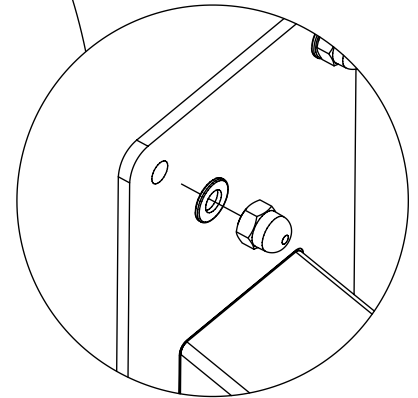




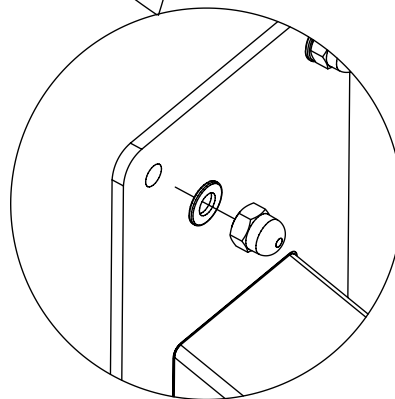
24e013



24e012



24e013

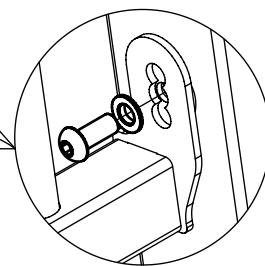
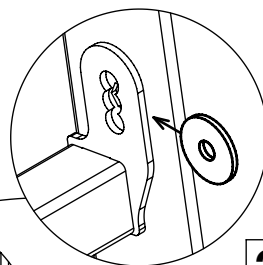


24e012

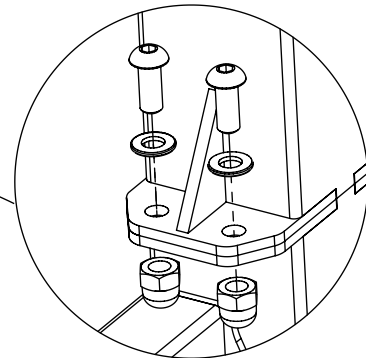
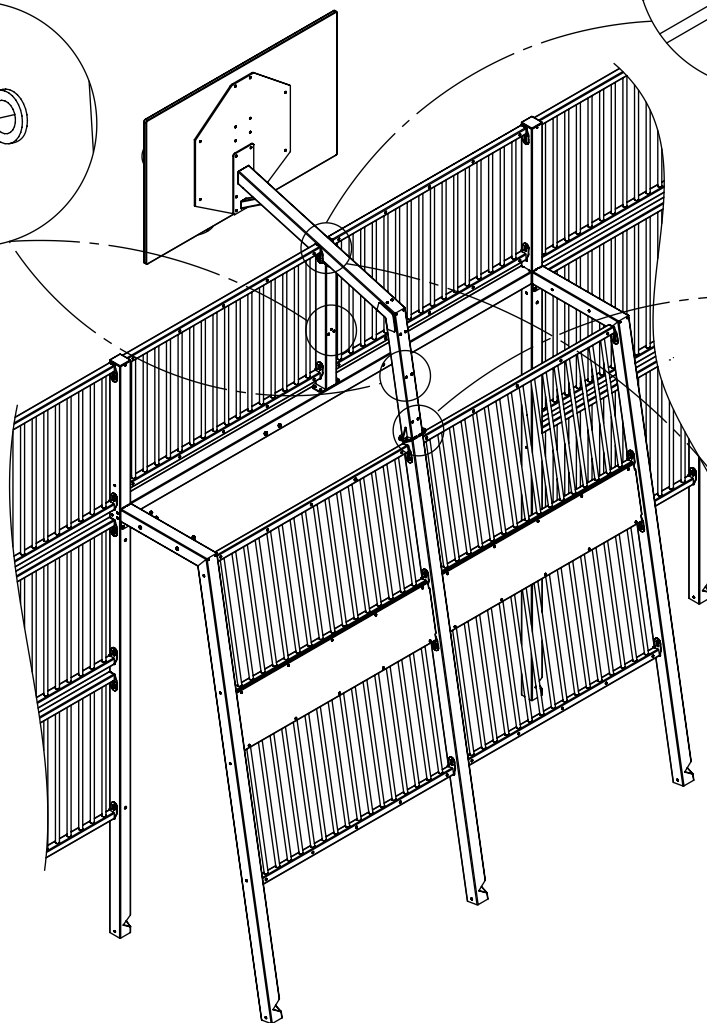
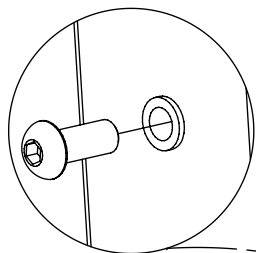
[cm]

vinci
play

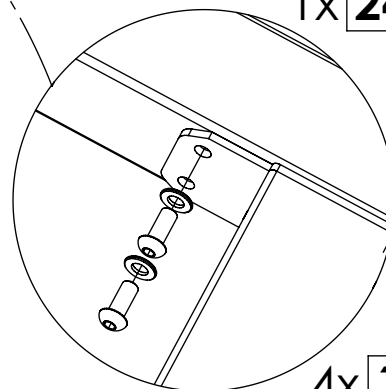
1x **24e014**



24e007

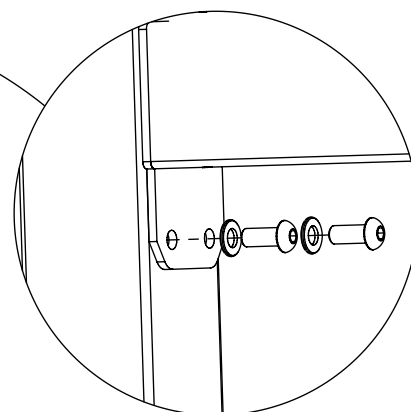
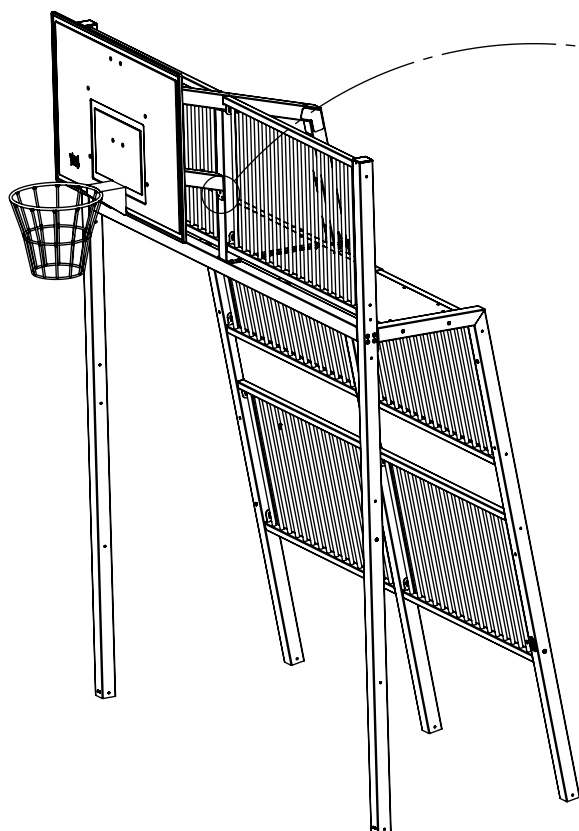


1x **24e018**



4x **10pp**

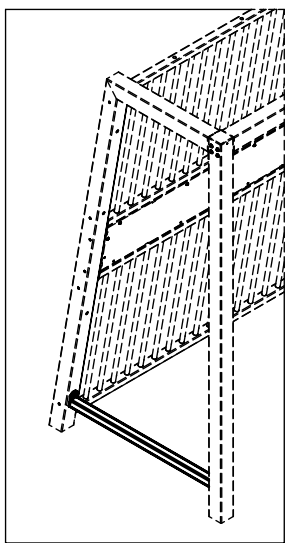
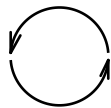
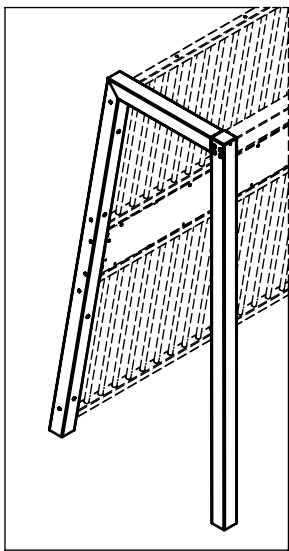
4x **10x25ikl**



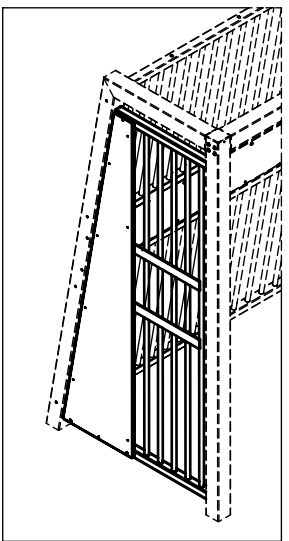
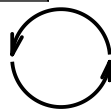
24e013

[cm]

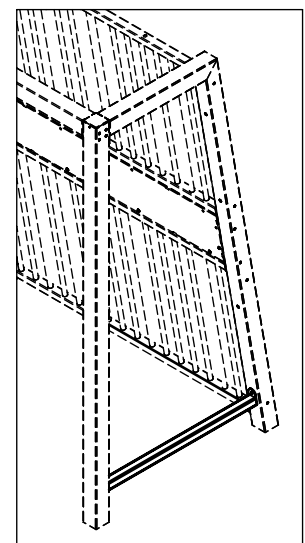
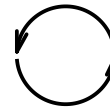
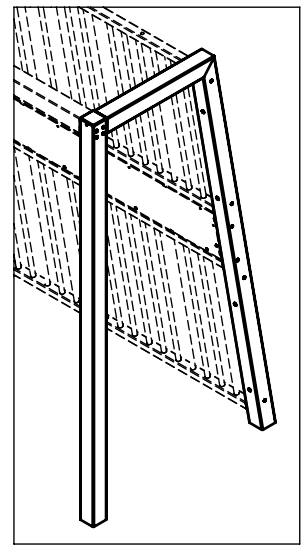
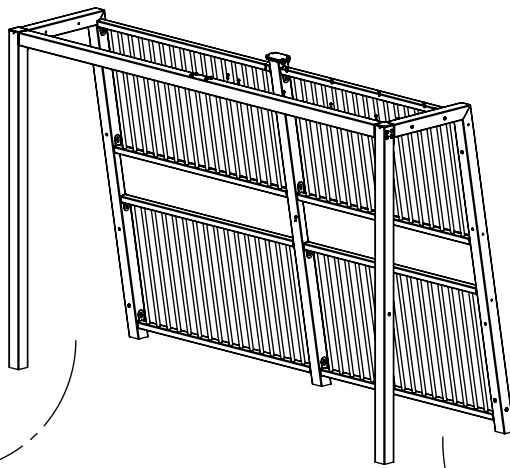
vinci
play



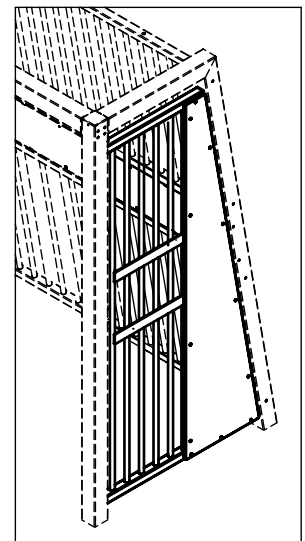
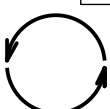
242123



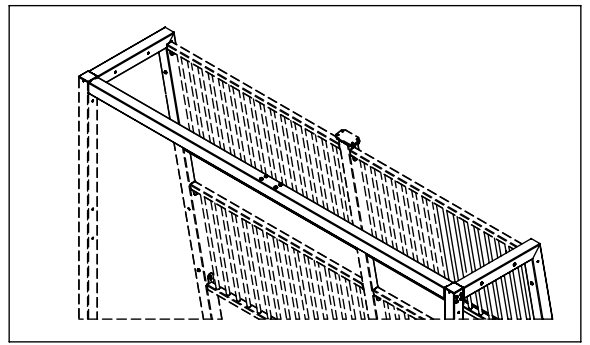
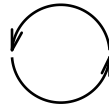
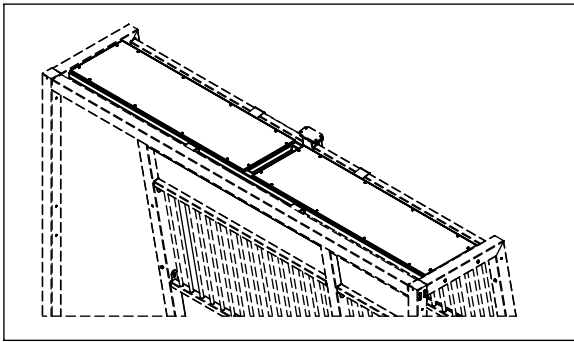
244126



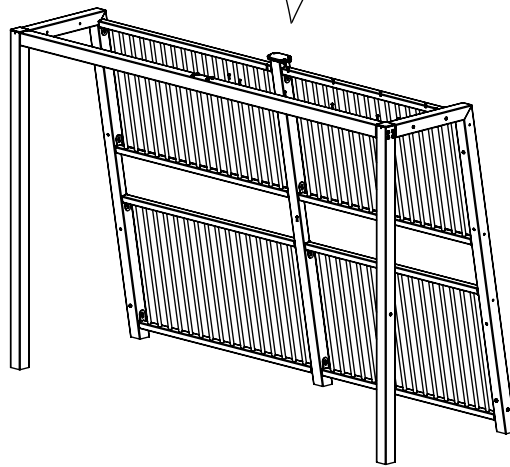
242123

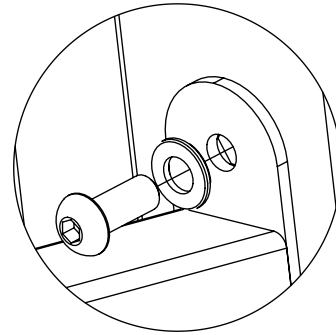
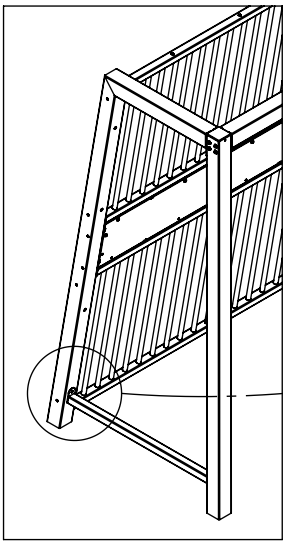


244125



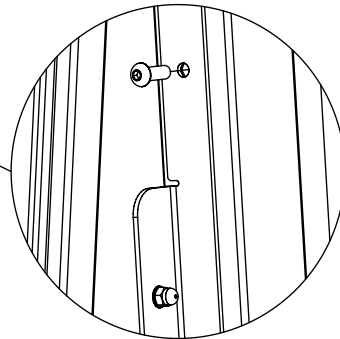
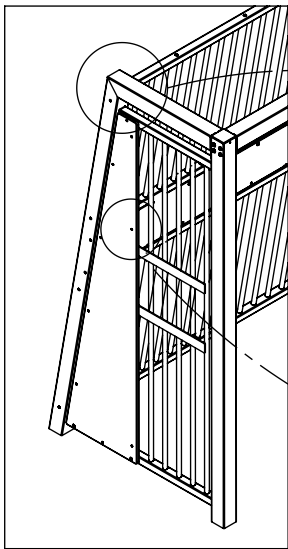
244129



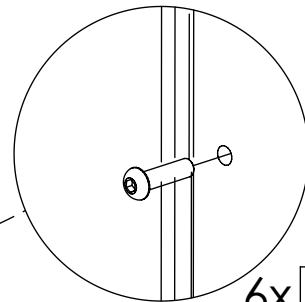


6x **10x25ikl**

6x **10pp**

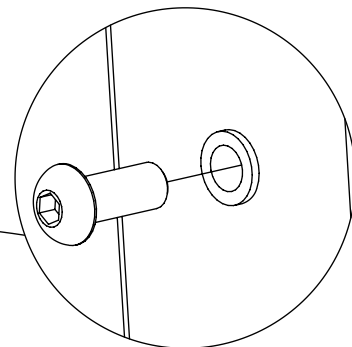
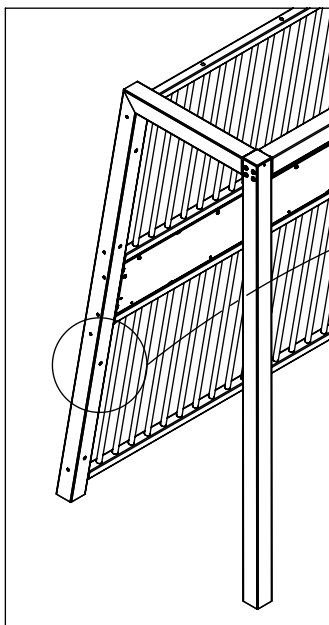


1x **24e011**



6x **10x25ikl**

6x **10pp**

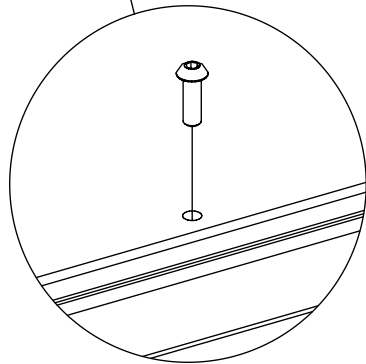
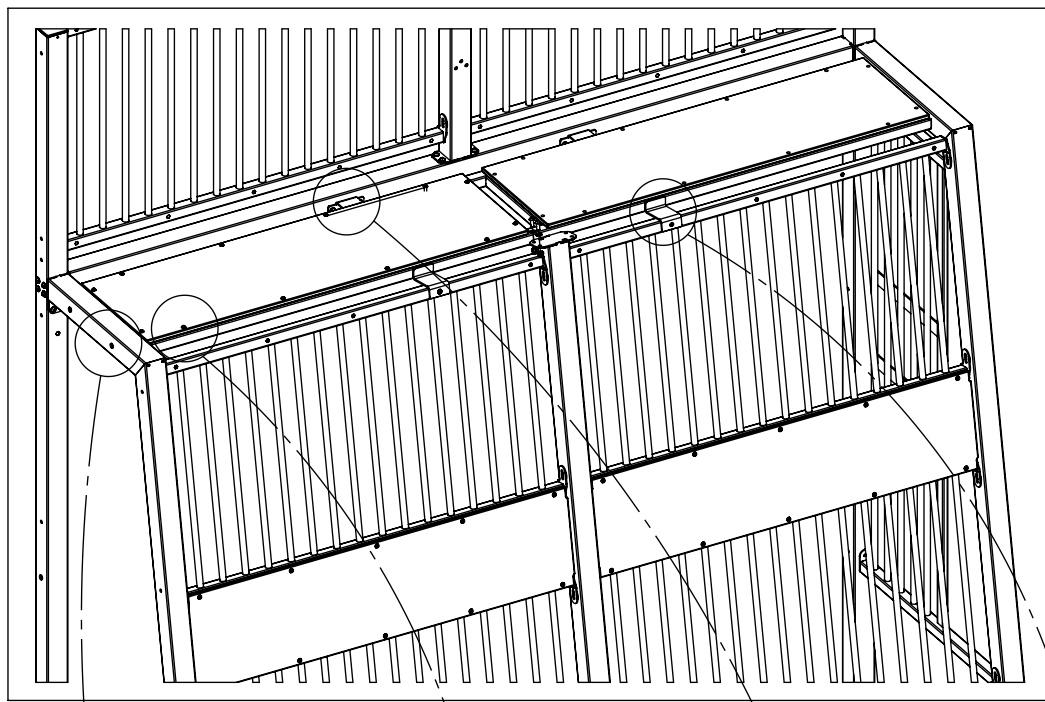


6x **10x25ikl**

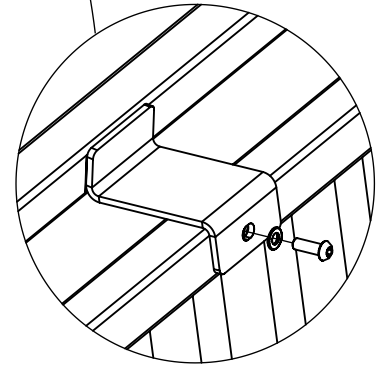
6x **10pp**

[cm]

vinci
play

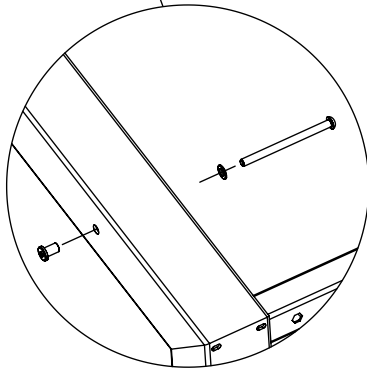


1x **24e029**

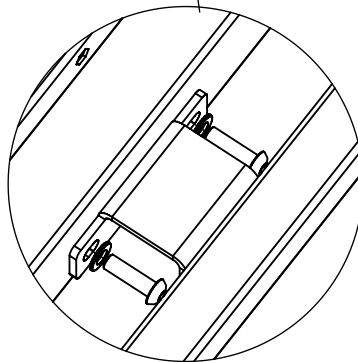


8x25ikl

8pp



24e029



24e029