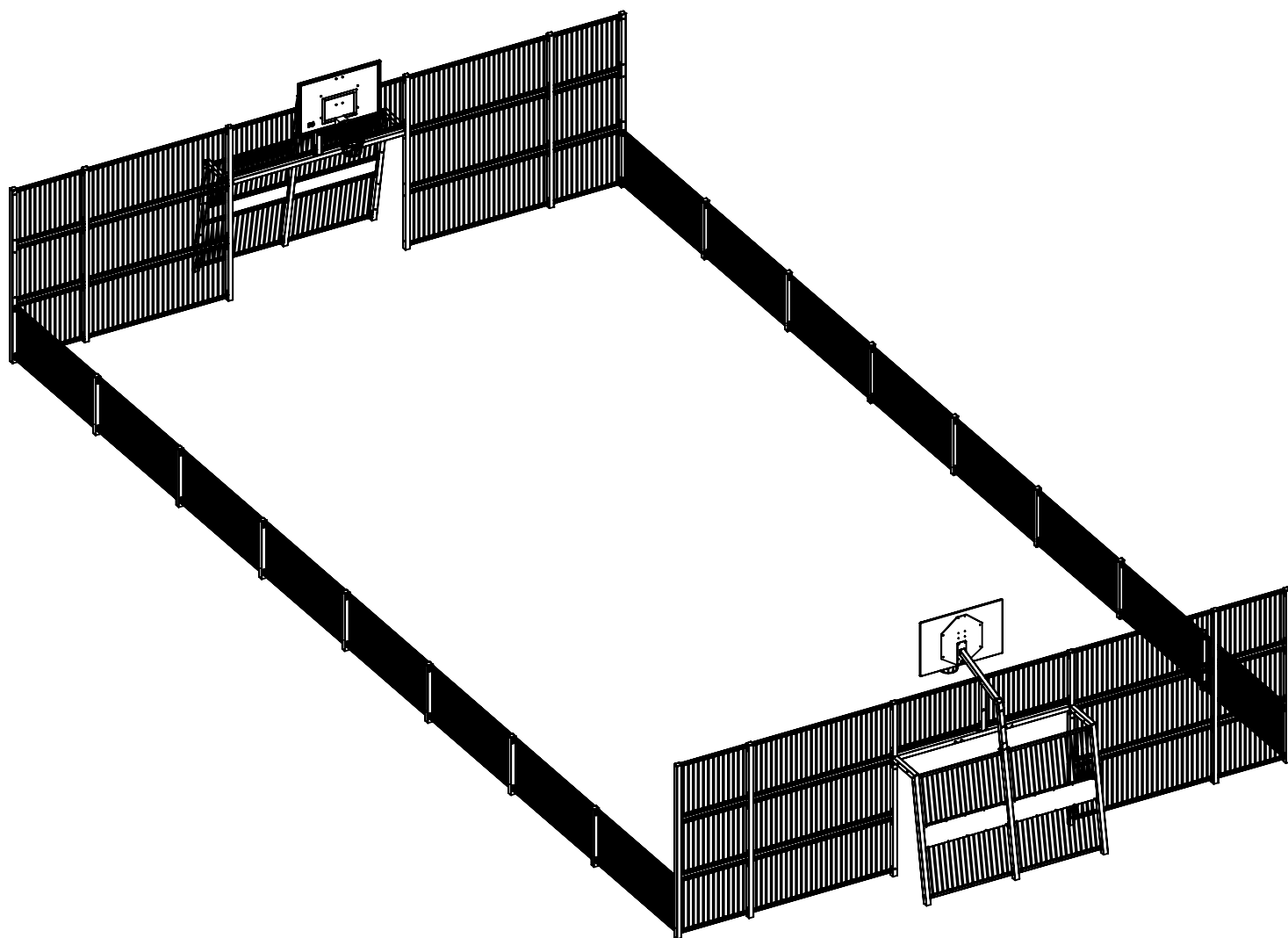
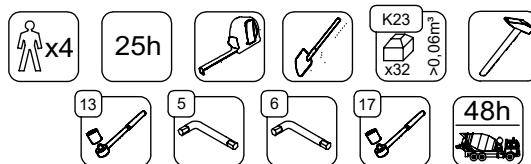


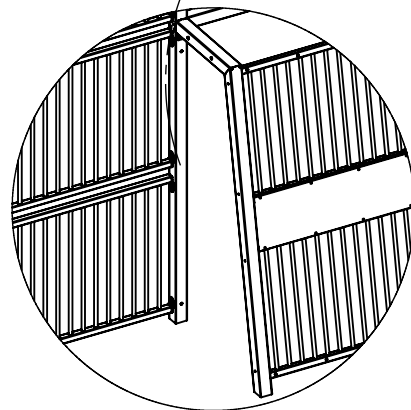
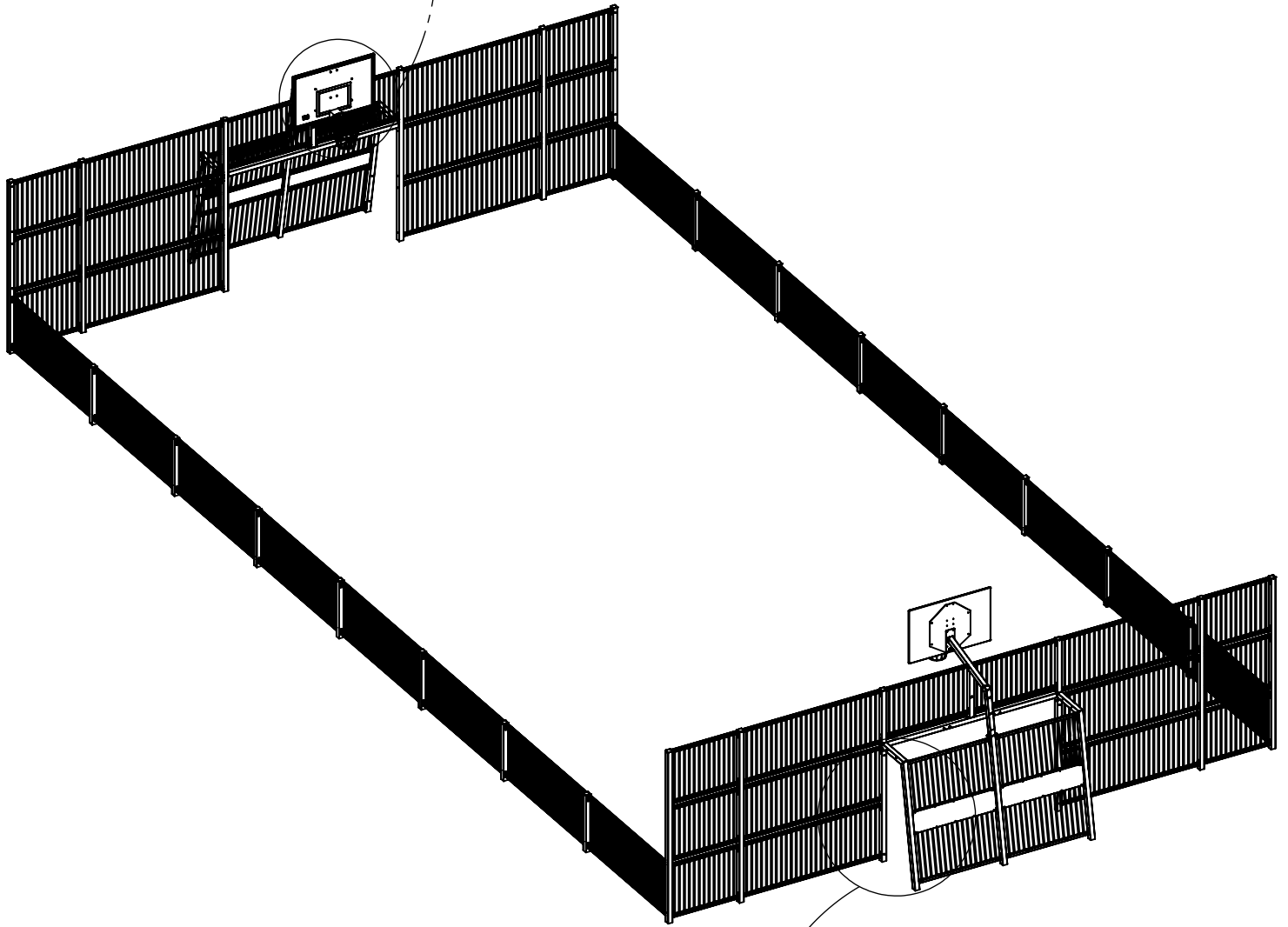
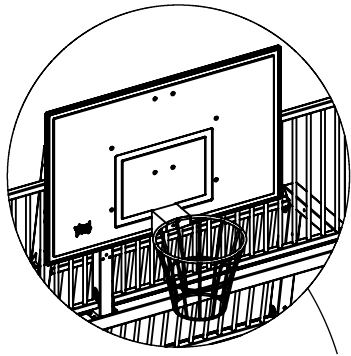
# 242011-001



v010  
26.10.2023  
I.A.  
[cm]

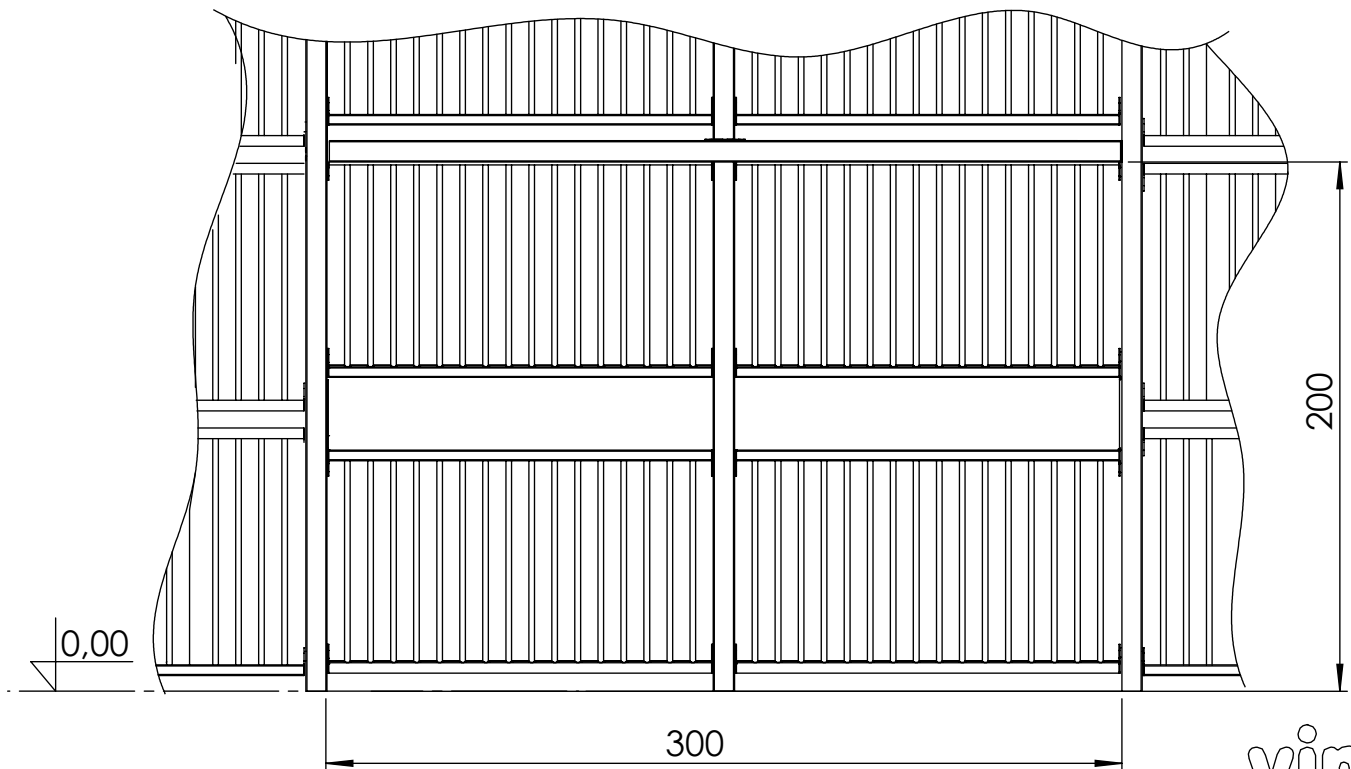
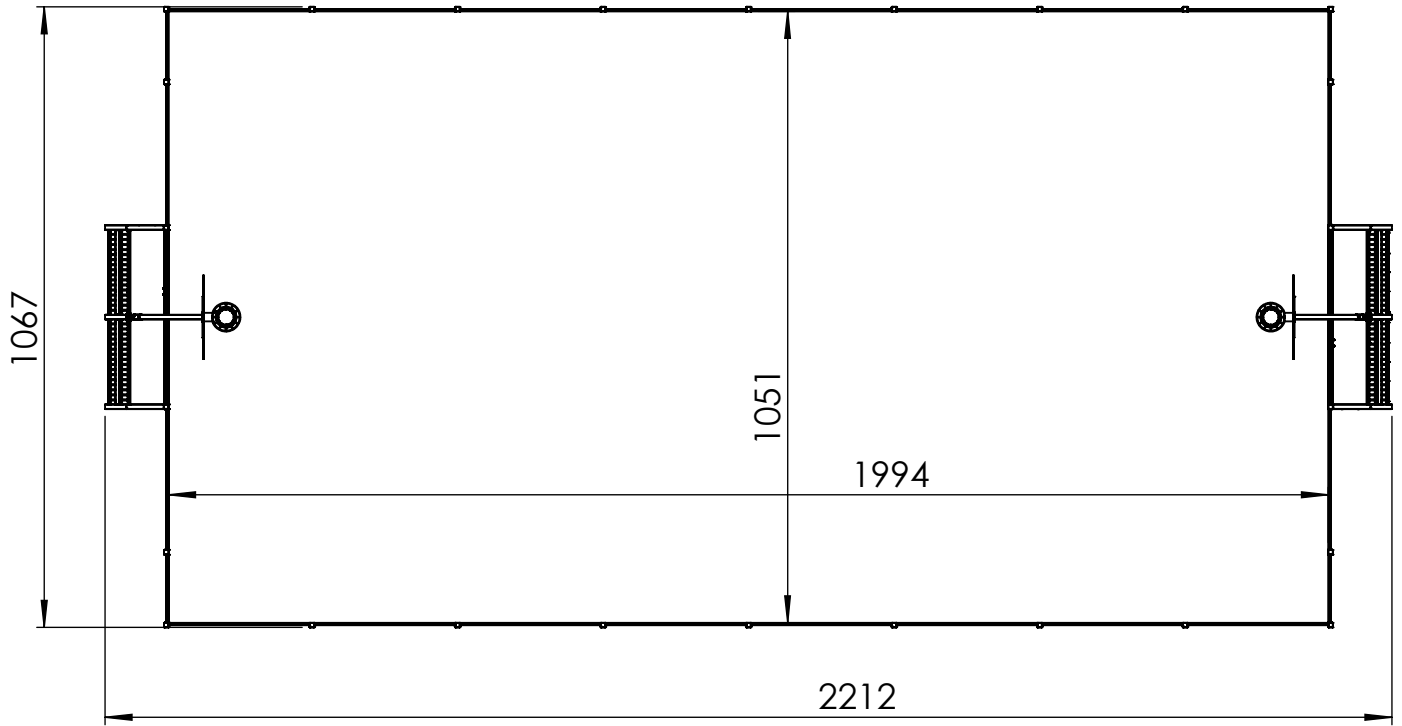
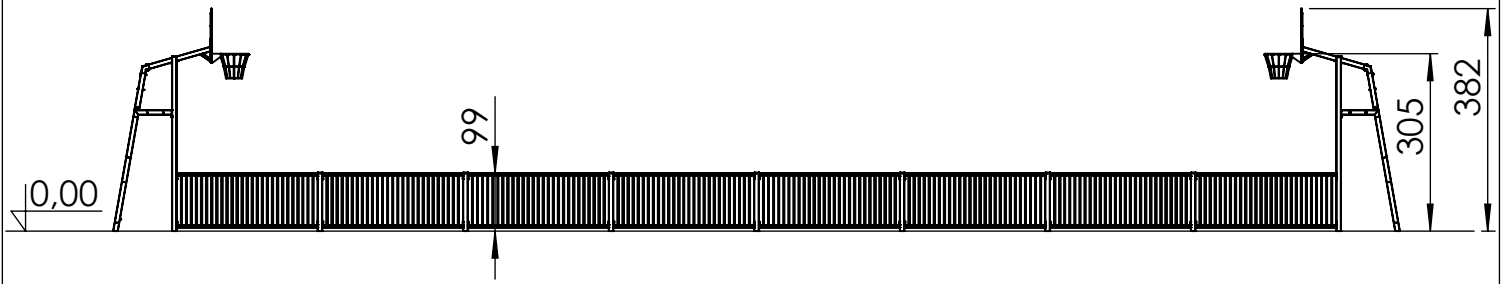


vinci  
play



[cm]

vinci  
play



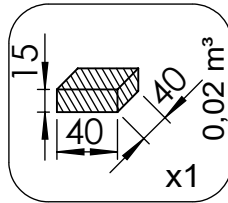
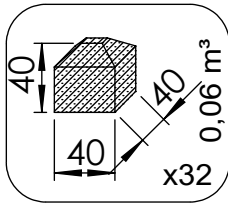
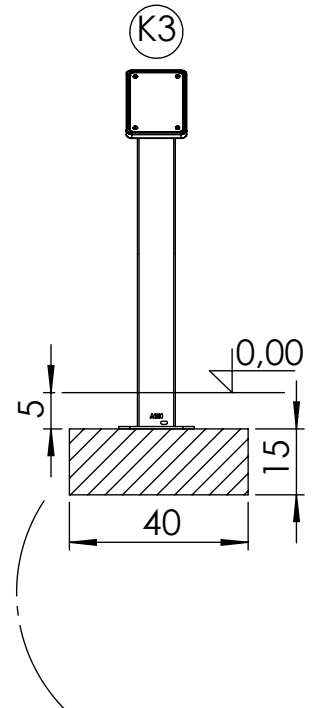
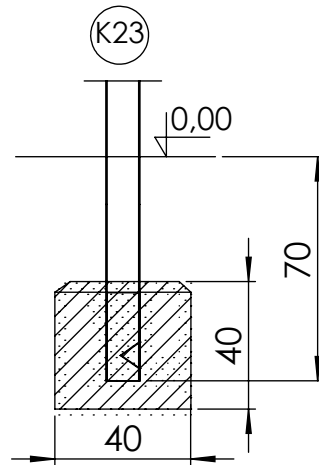
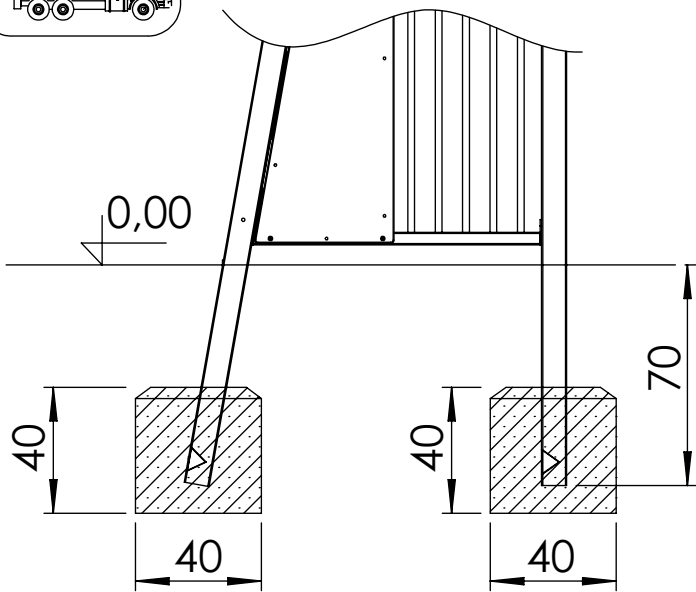
[cm]

vinci  
play

48h



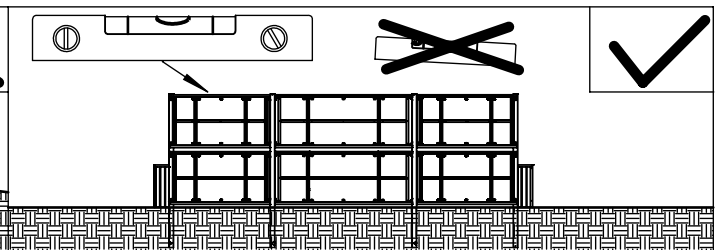
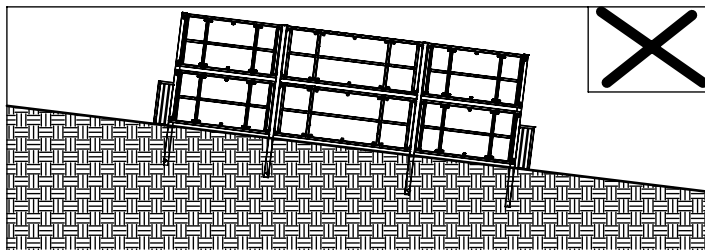
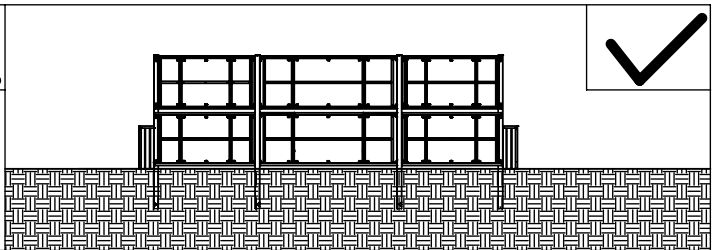
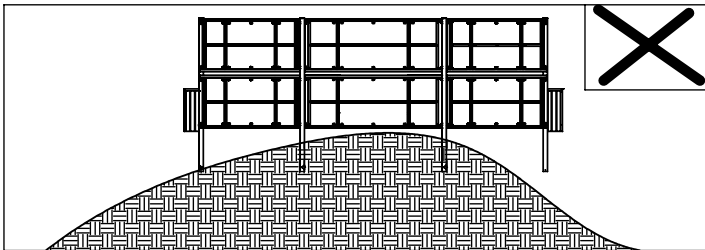
K23



4x M10x120 (K3)

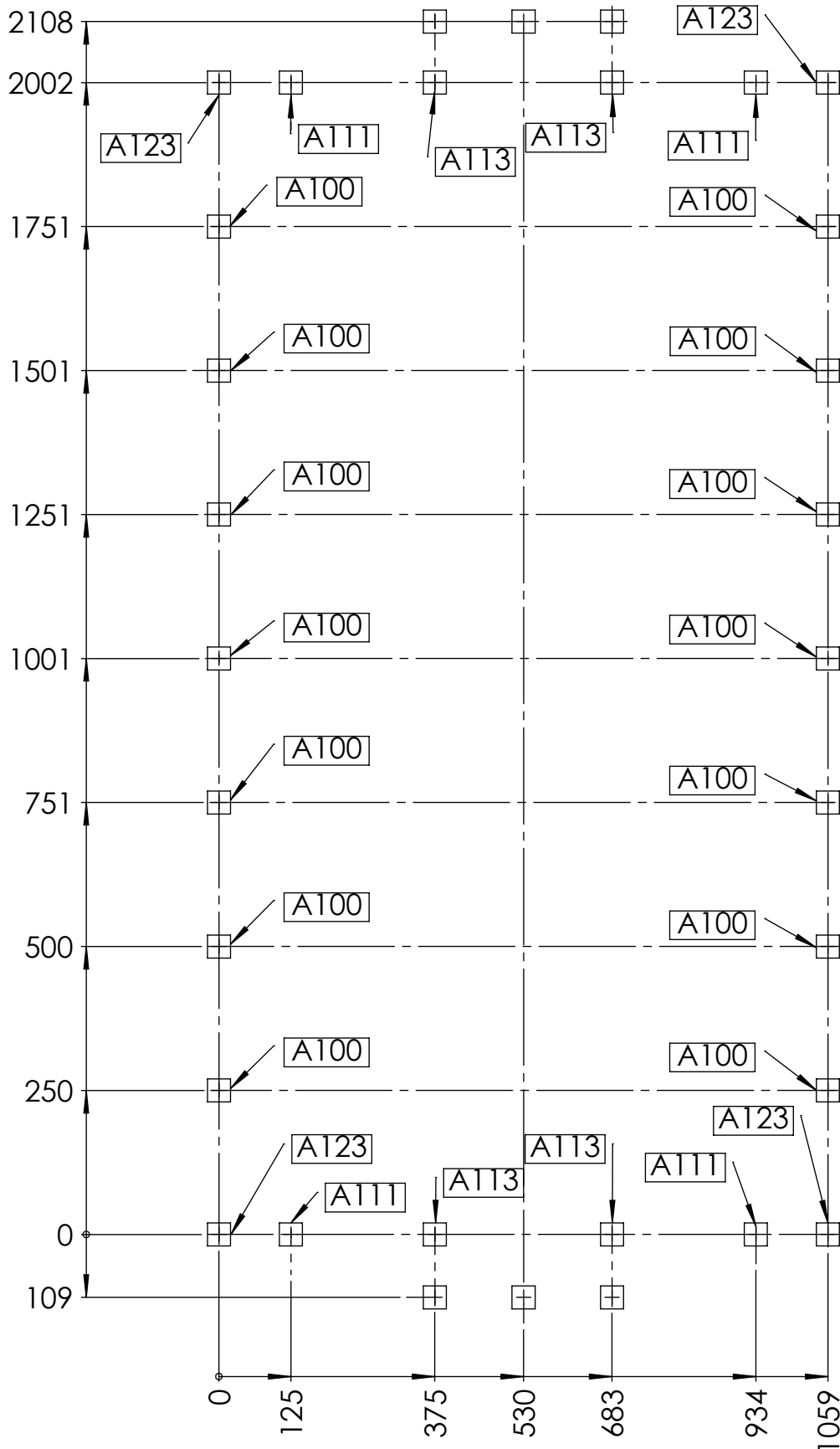
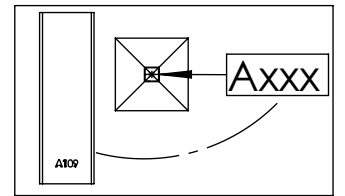


NOT INCLUDED



[cm]

vinci play

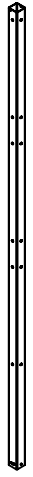


[cm]

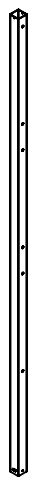
vinci  
play



A113  
x4



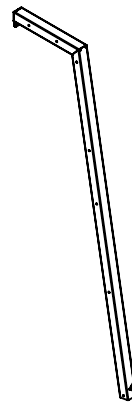
A123  
x4



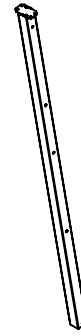
A111  
x4



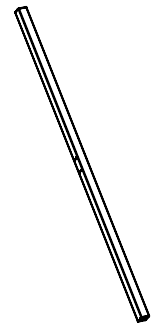
A100  
x14



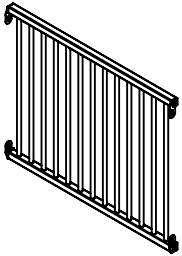
242115  
x4



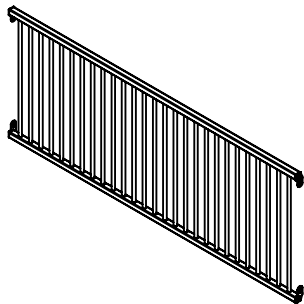
242113  
x2



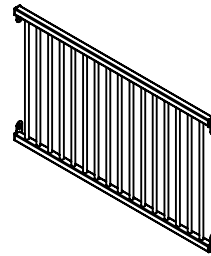
242112  
x2



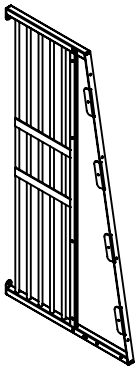
242107  
x12



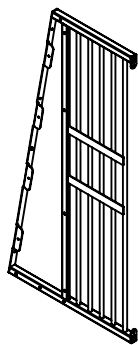
242100  
x28



242139  
x12



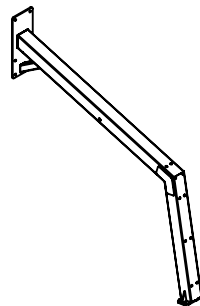
242146  
x2



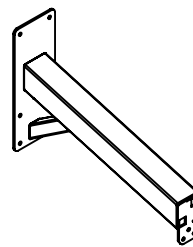
242109  
x2



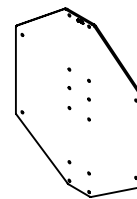
242114  
x2



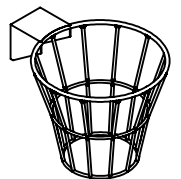
242111  
x2



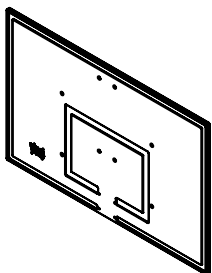
242147  
x2



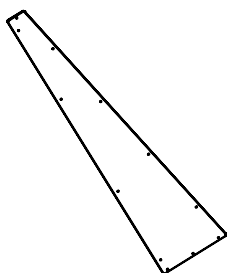
b799  
x2



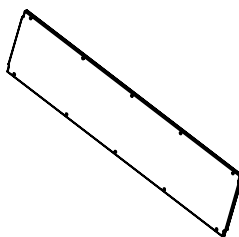
206100  
x2



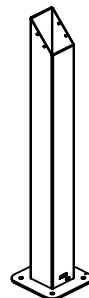
241104  
x2



241103  
x4



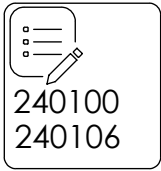
241109  
x4



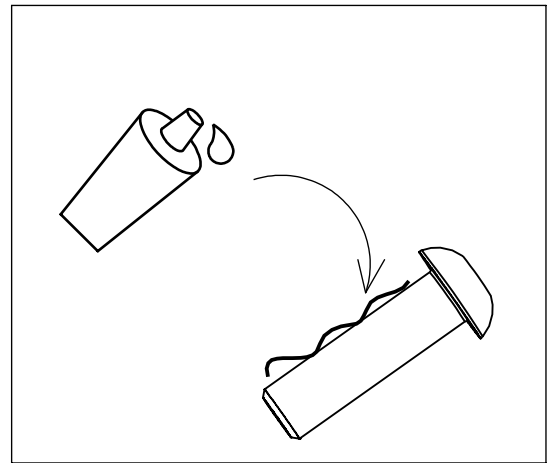
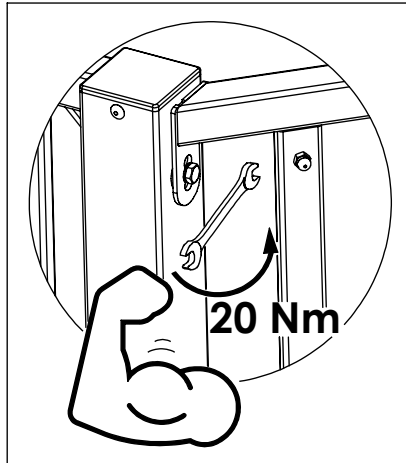
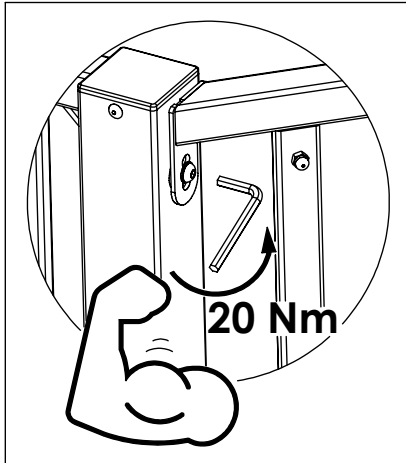
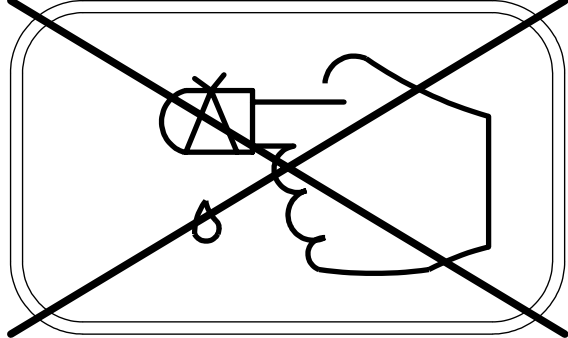
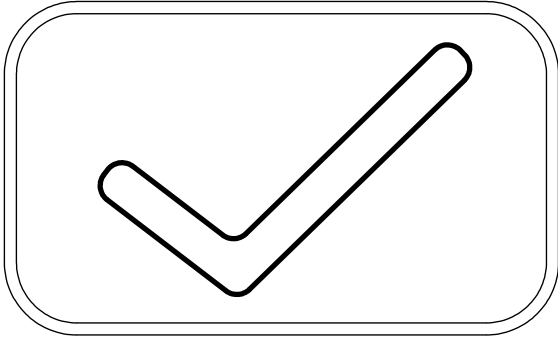
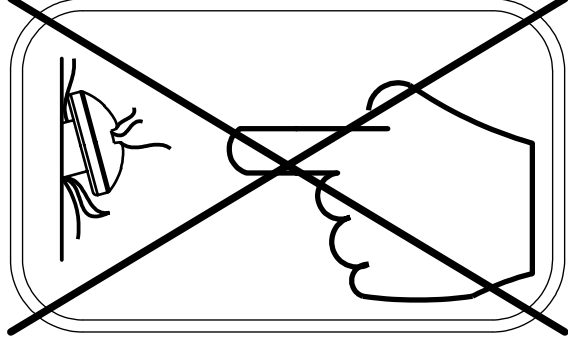
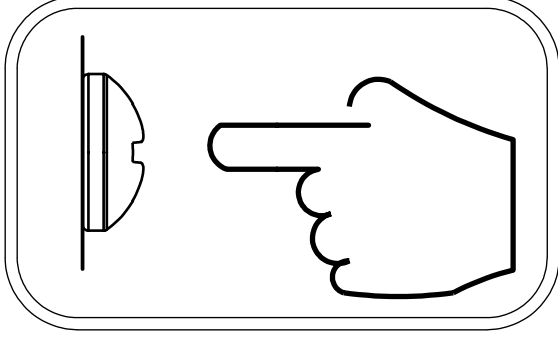
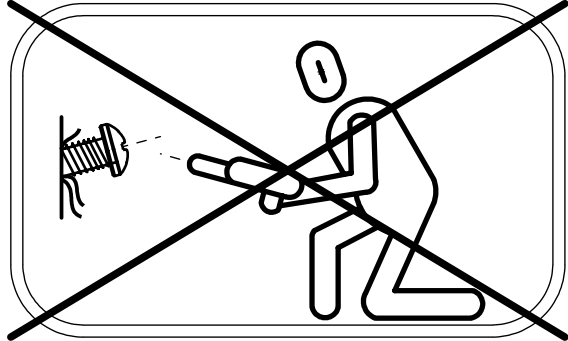
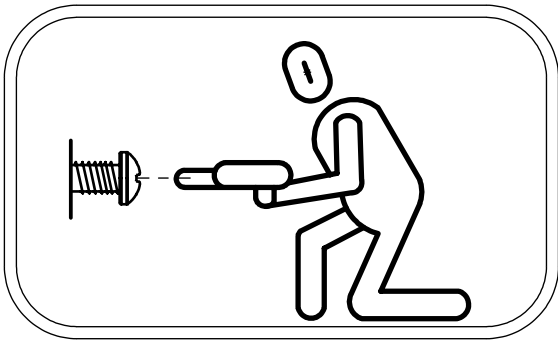
242148  
x1

[cm]

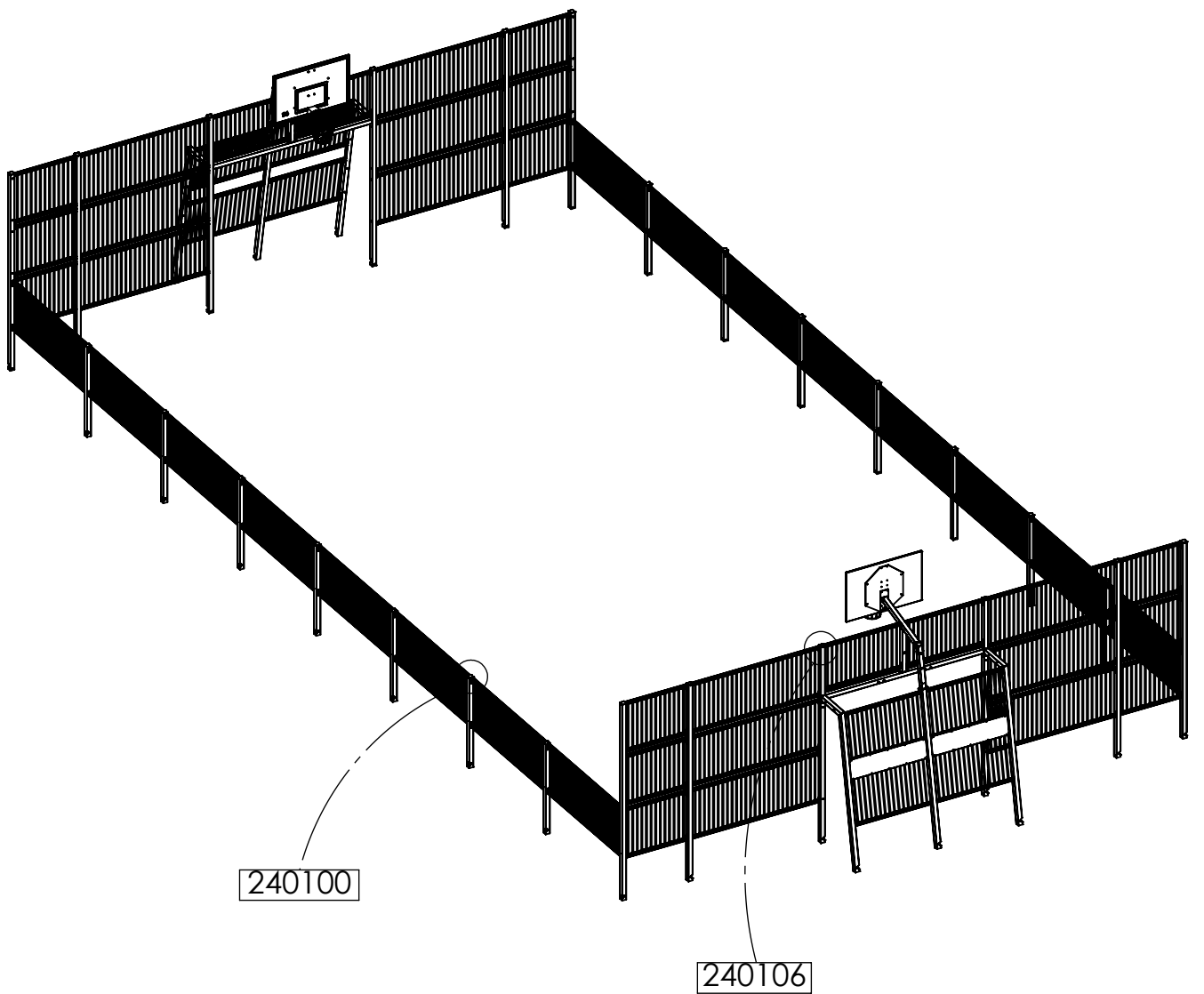
vinci  
play



20x	8x25ikl
20x	8pp
20x	10x25ikl
20x	10pp
20x	8x30ikl
28x	24e001
8x	24e007
1x	24e017
2x	24e023
2x	24e025
1x	24e012
1x	24e013
1x	24e014
1x	24e018
1x	24e011
1x	24e029
1x	V003
1x	24e006
1x	24e005

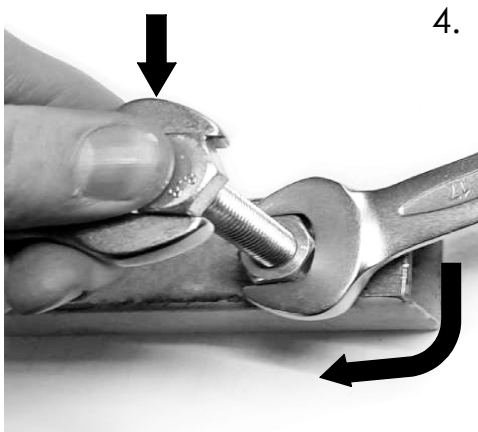
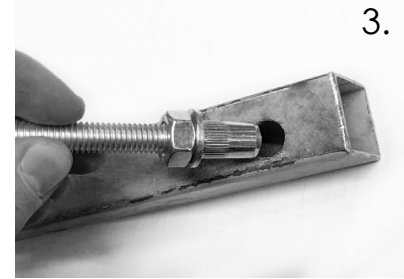
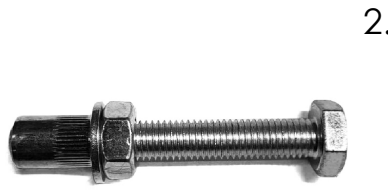
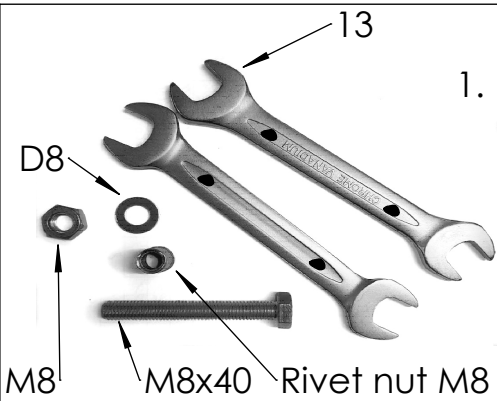
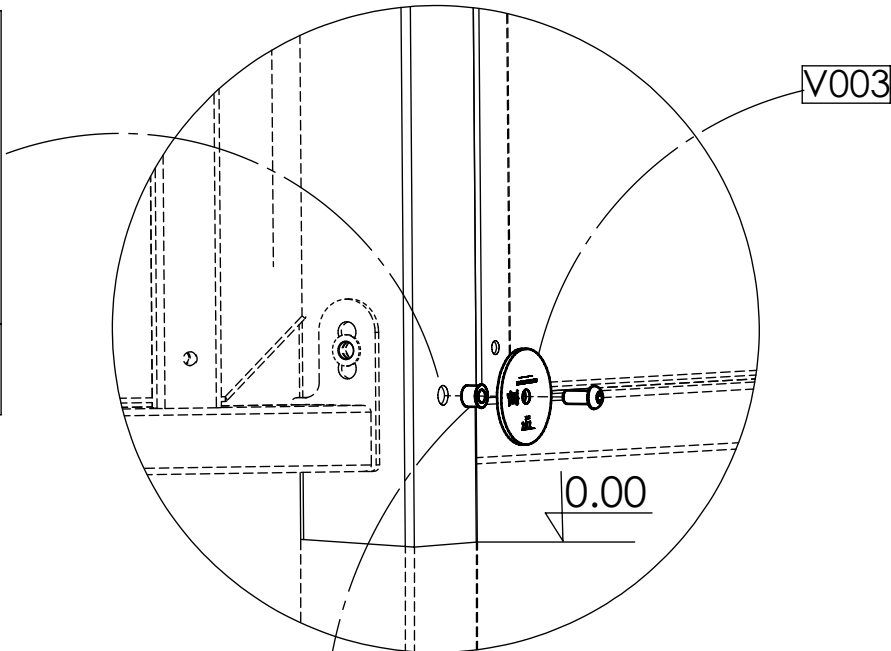
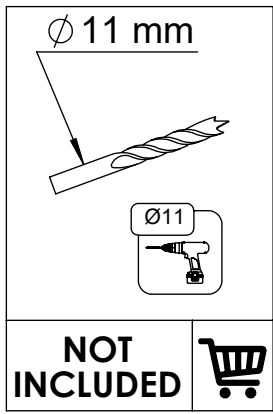




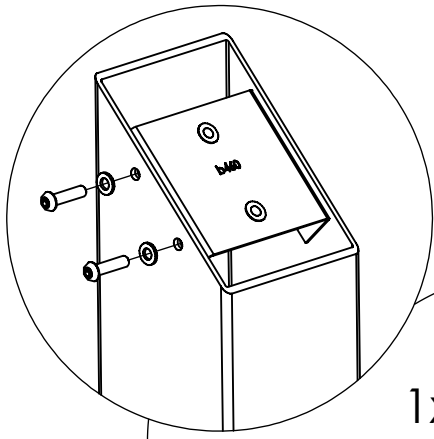


[cm]

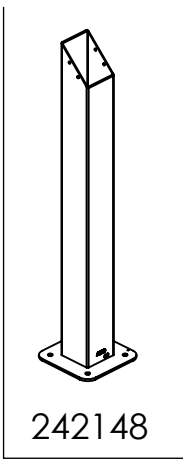
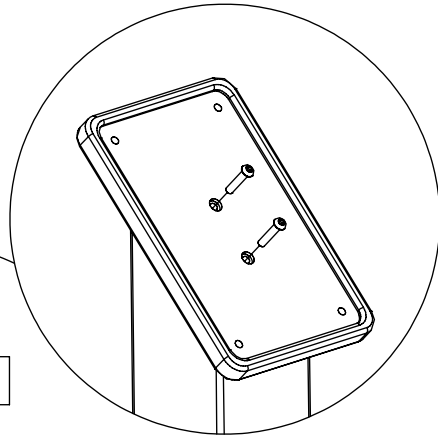
vinci  
play



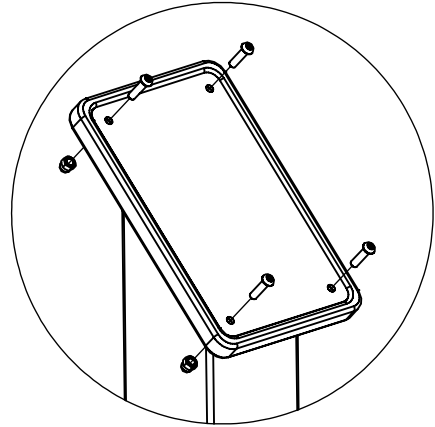
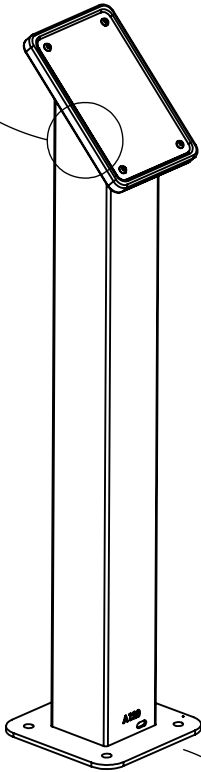
Keep the head of the screw still (it can not rotate!)  
 - then by using short wrench - rotate/screw only the bottom part of solution - the nur. Attention!  
 - do not put much power for this operation (otherwise the rivet nut will be damaged!).  
 The difference between screw head and the nut should change from 3mm to 8mm



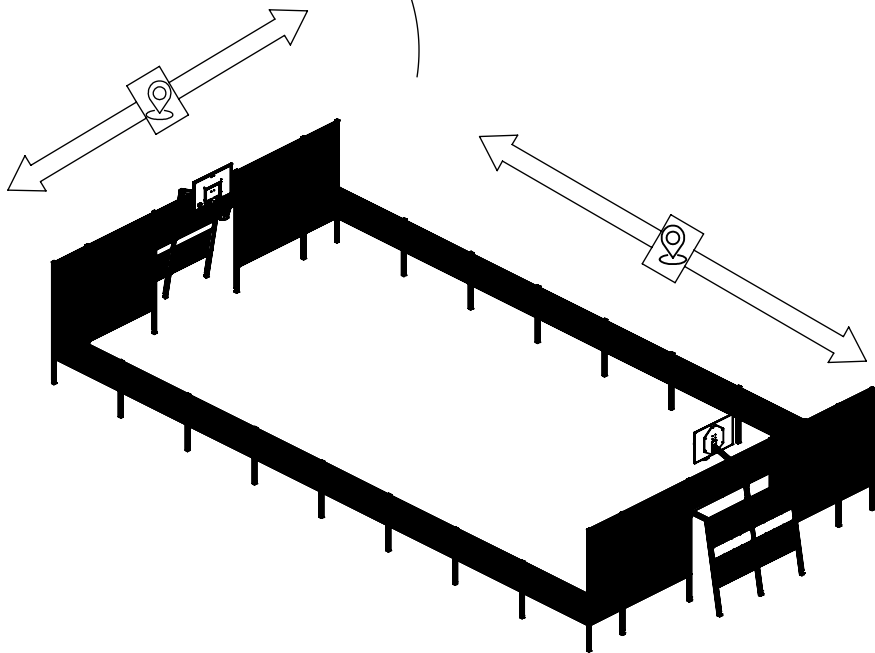
1x **24e006**



242148



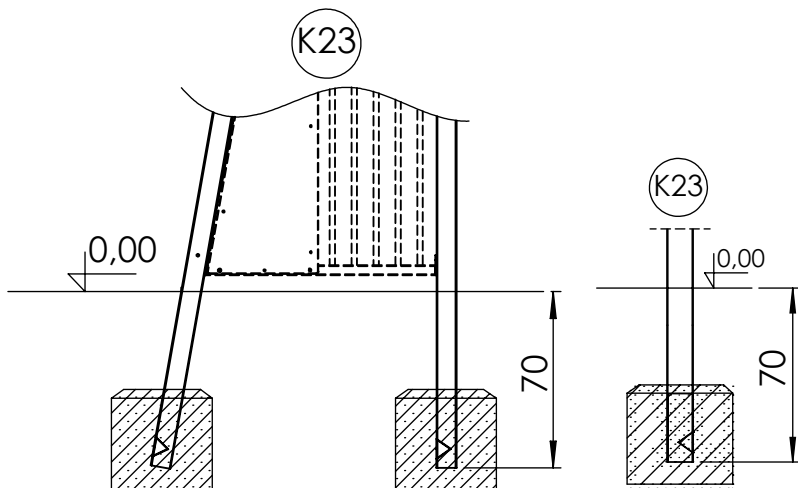
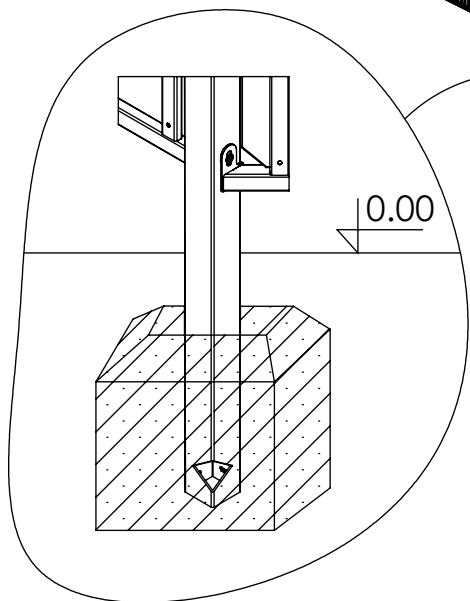
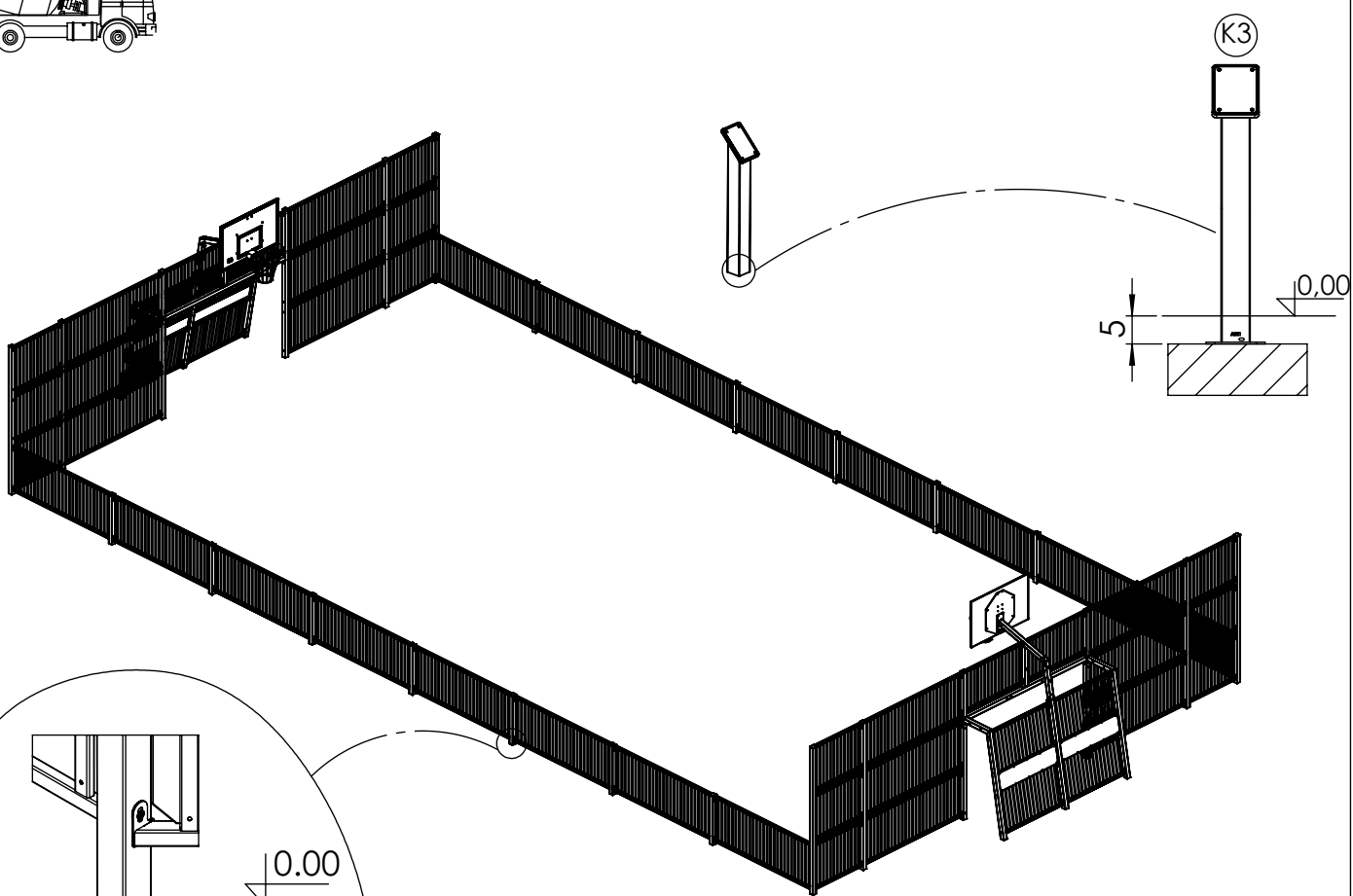
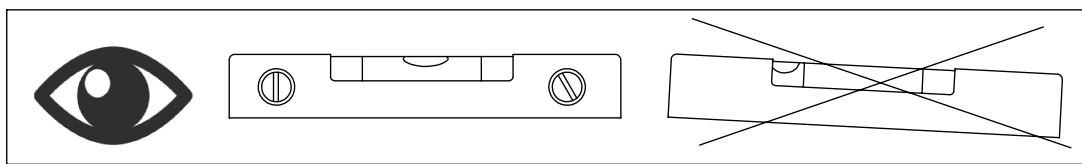
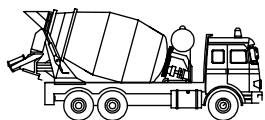
1x **24e005**



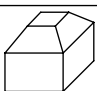
[cm]

vinci  
play

48h



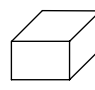
**K23**



x32

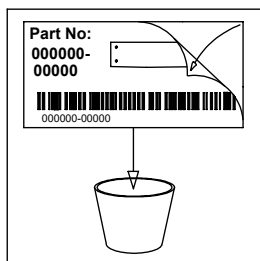
>0,06m<sup>3</sup>

**K3**



x1

>0,02m<sup>3</sup>



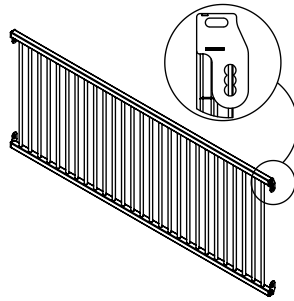
vinci play

[cm]

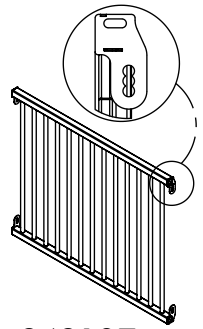
240100



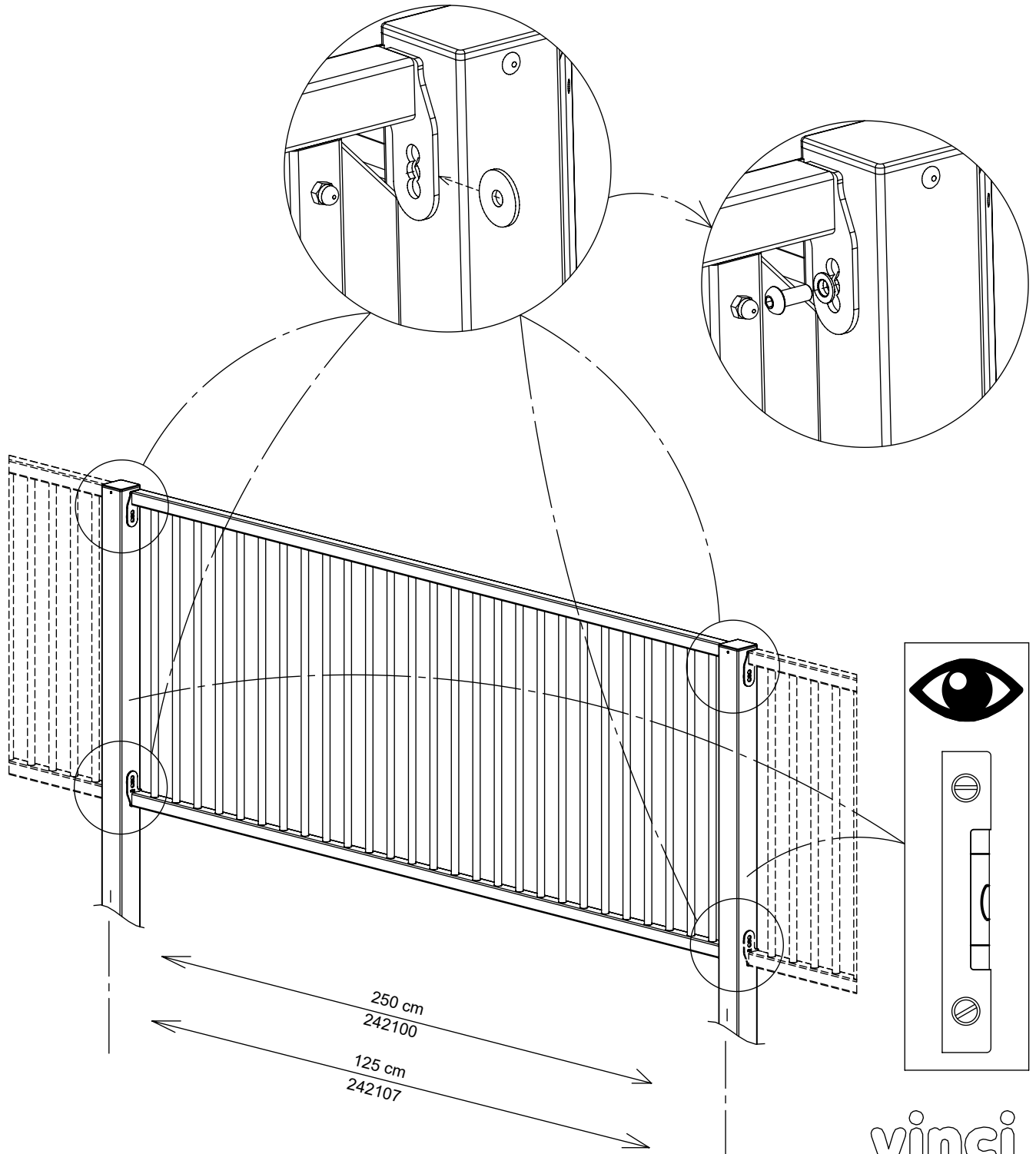
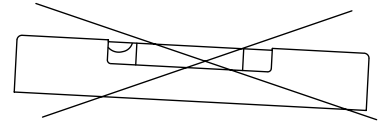
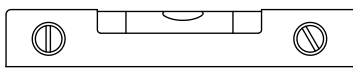
24e001



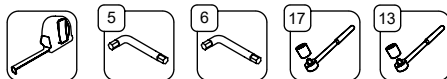
242100



242107



[cm]

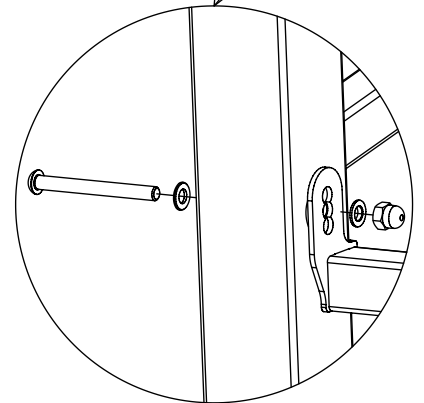
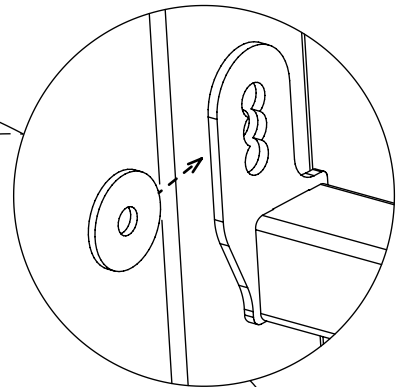
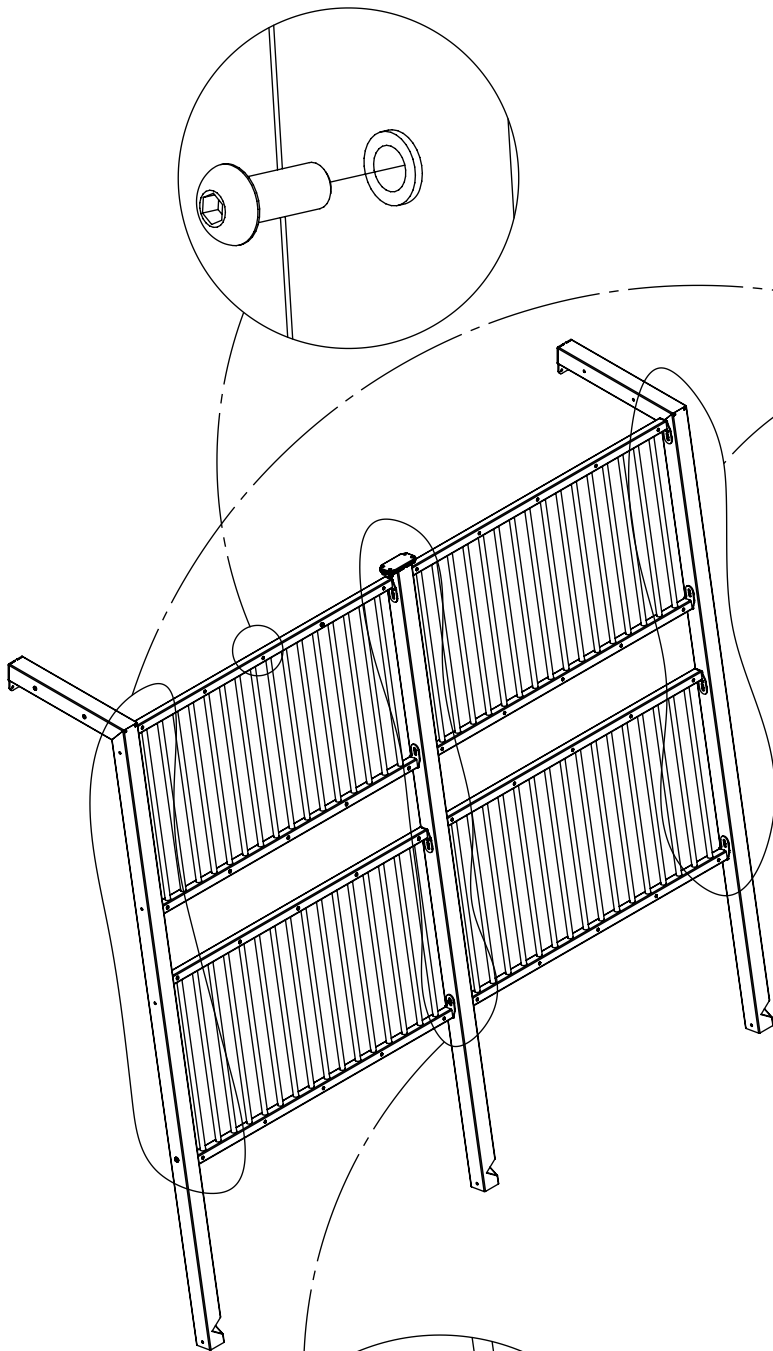
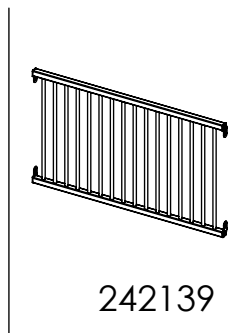
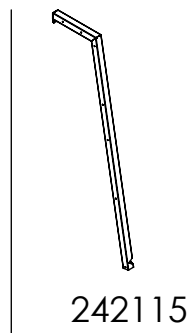
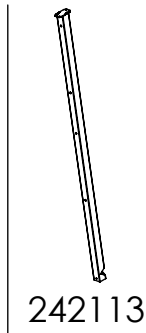


vinci  
play

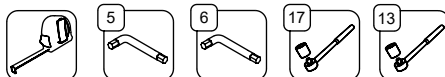
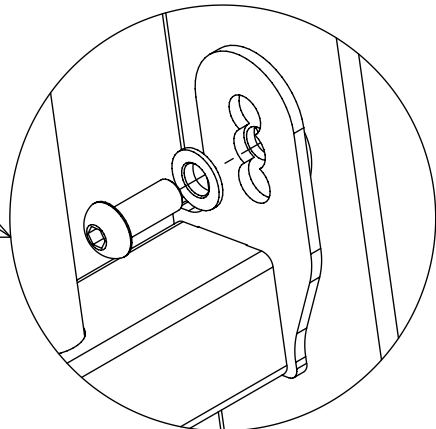
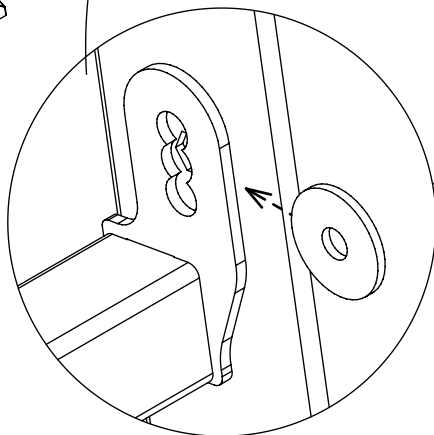
240106

20x **8x25ikl**

20x **8pp**

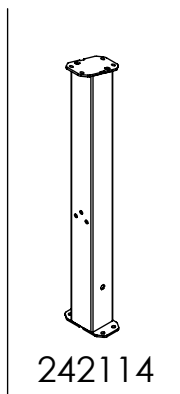


4x **24e007**

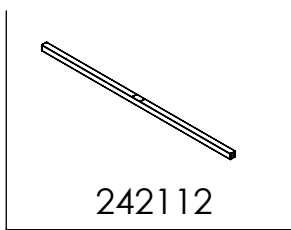


[cm]

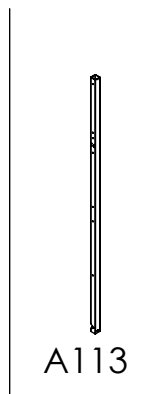
vinci  
play



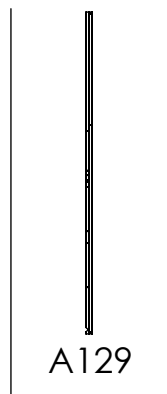
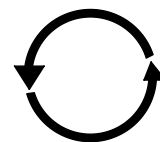
242114



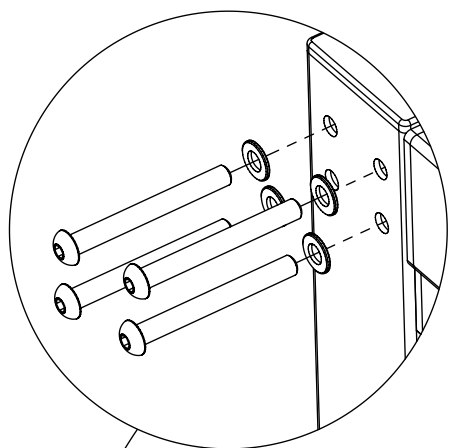
242112



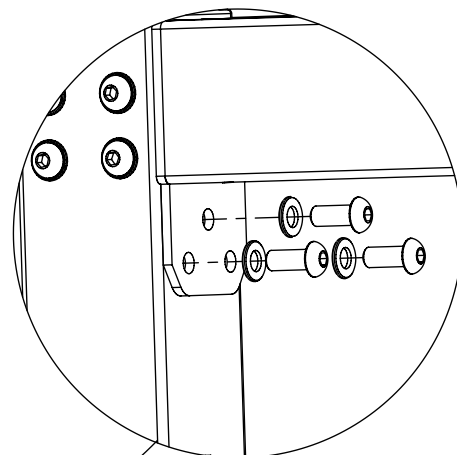
A113



A129

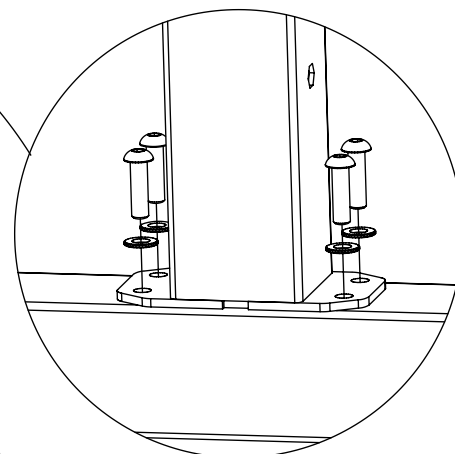
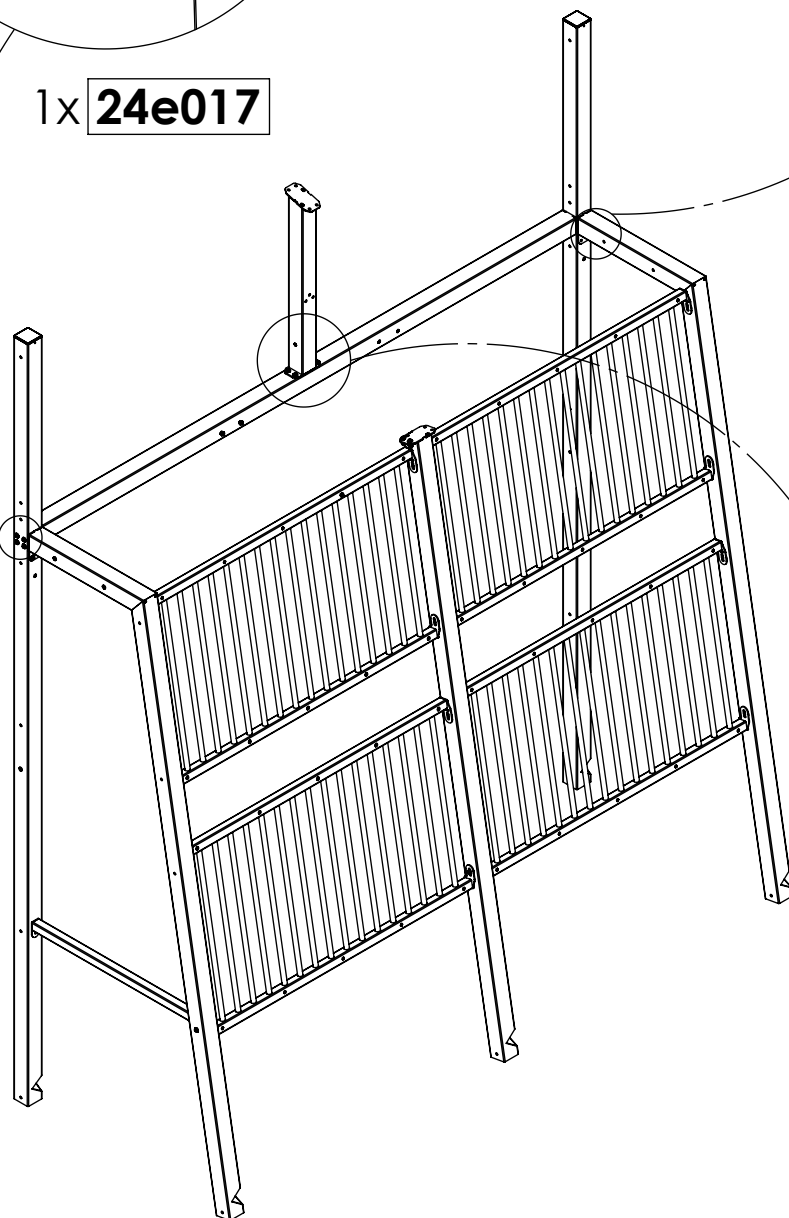


1x **24e017**



6x **10x25ikl**

6x **10pp**

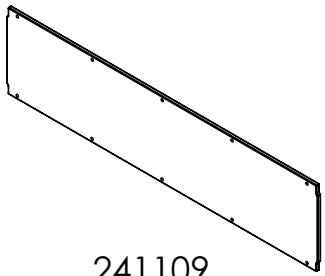


4x **10x25**

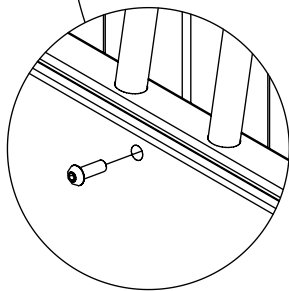
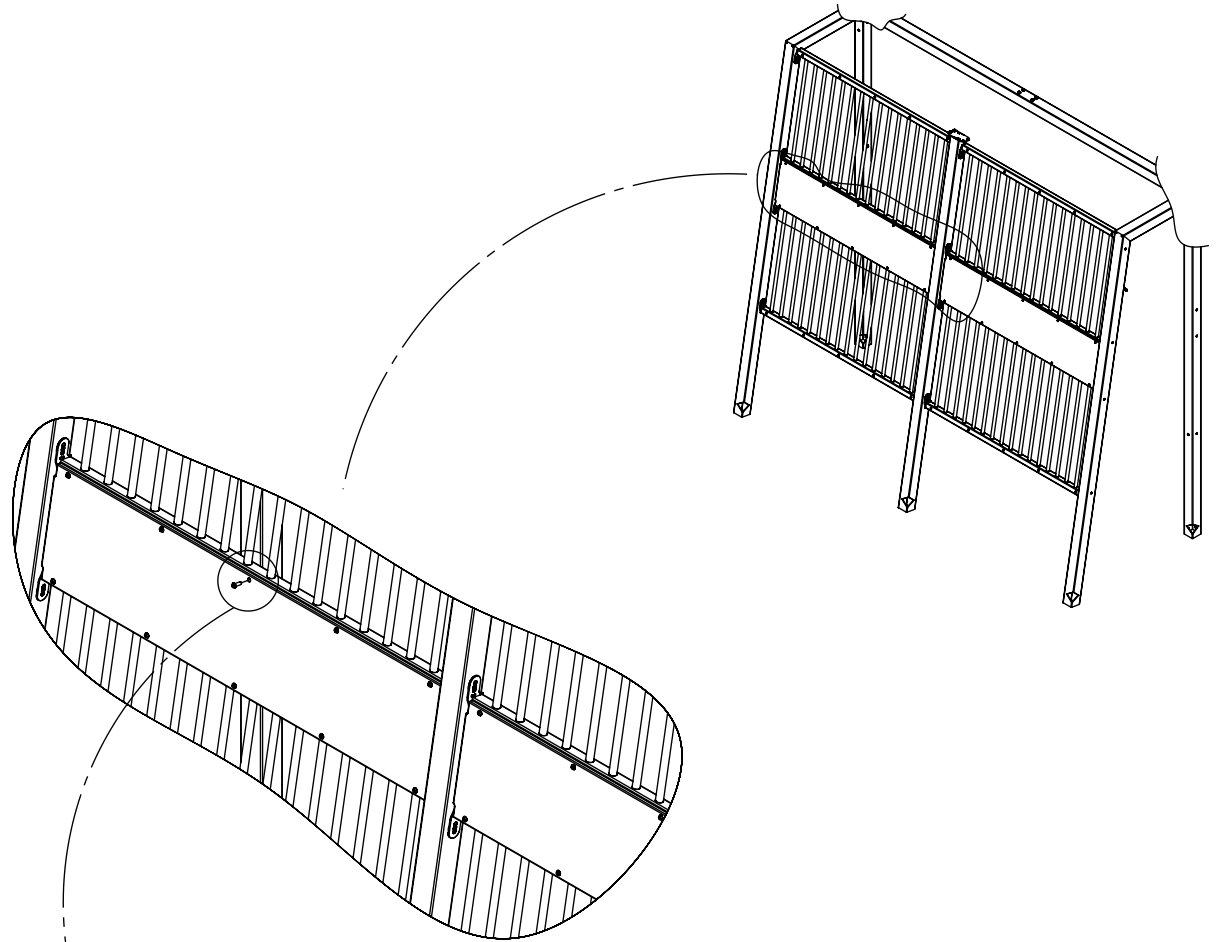
4x **10pp**

[cm]

vinci  
play



241109

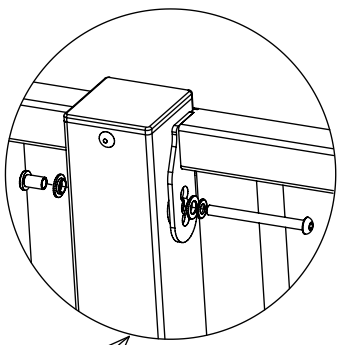


20x **8x30ikl**

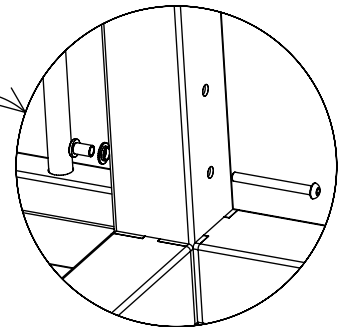
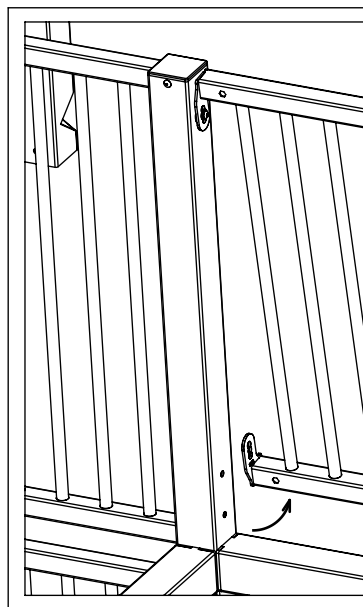
[cm]

vinci  
play

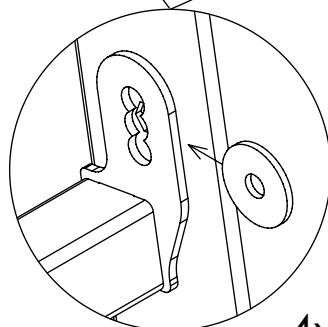
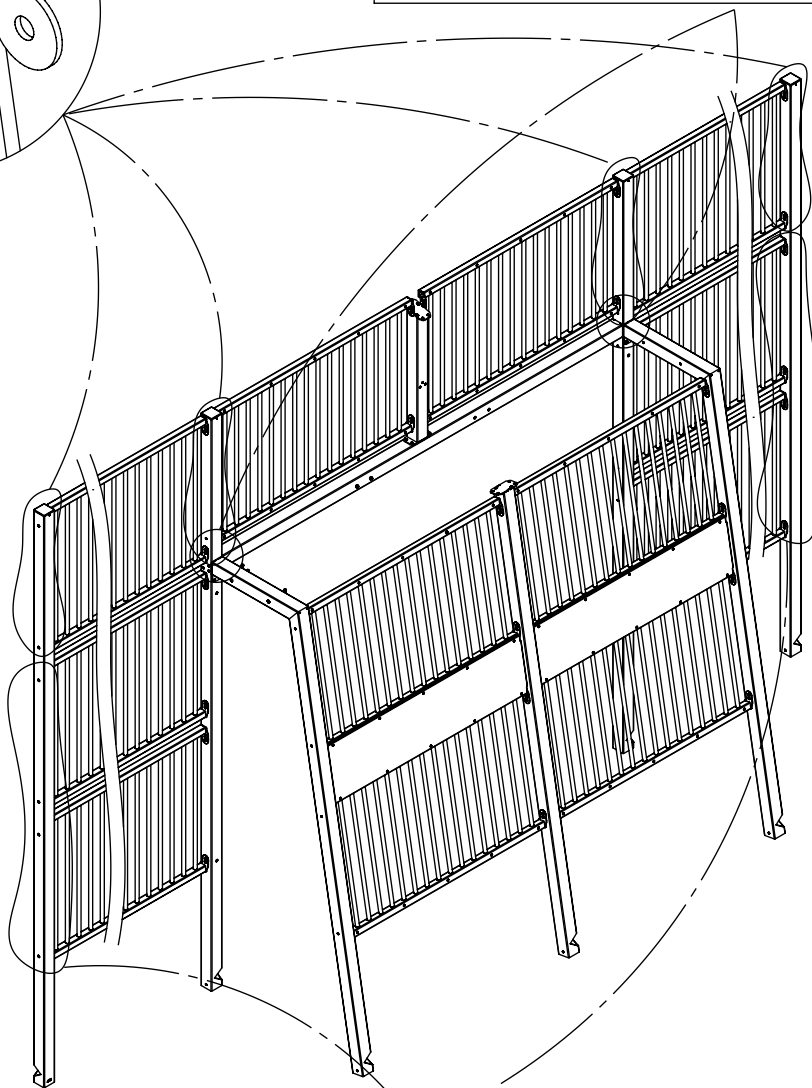
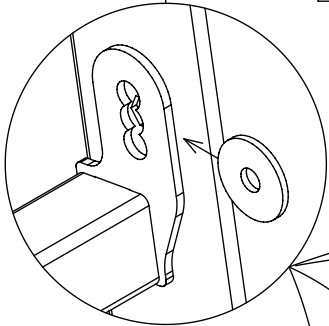




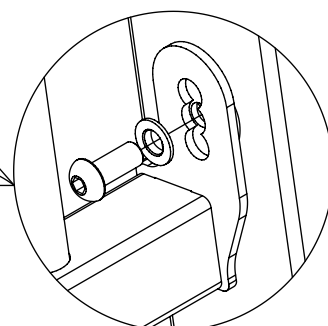
2x **24e023**



**24e023**

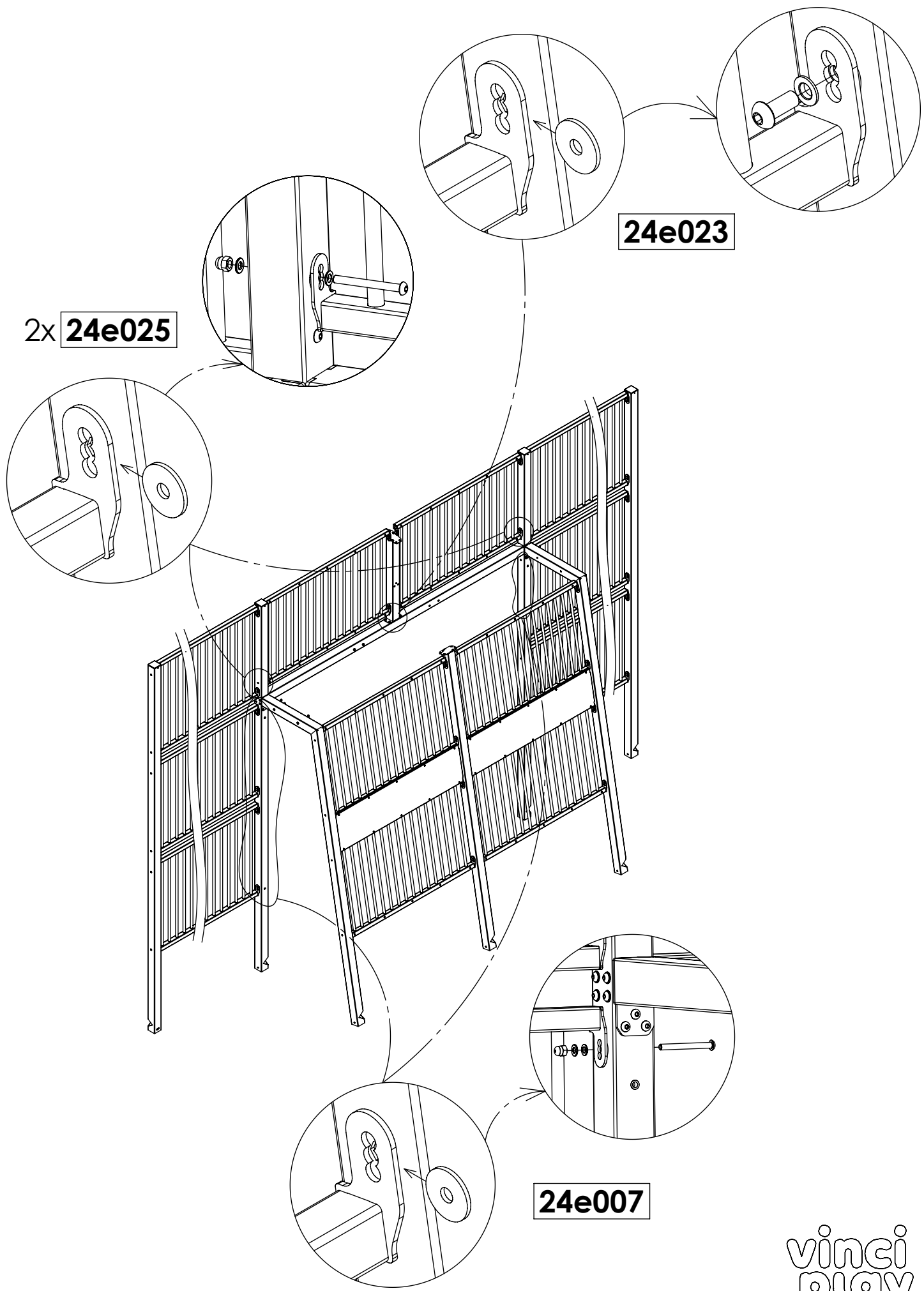


4x **24e007**



[cm]

vinci  
play



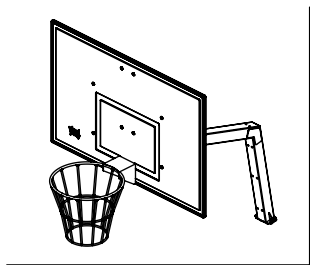
**24e023**

2x **24e025**

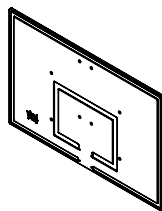
**24e007**

[cm]

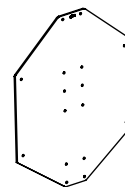
vinci  
play



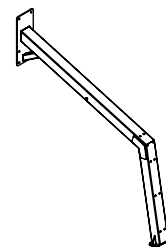
206100



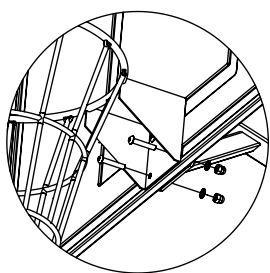
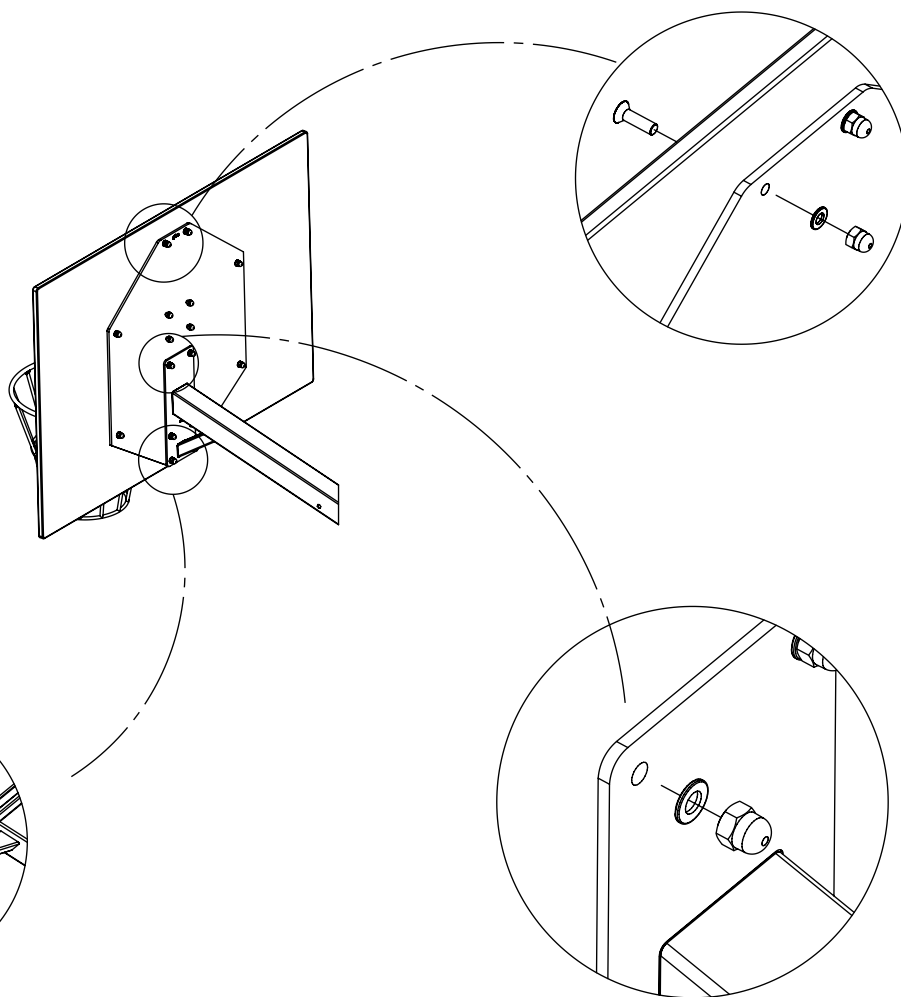
241104



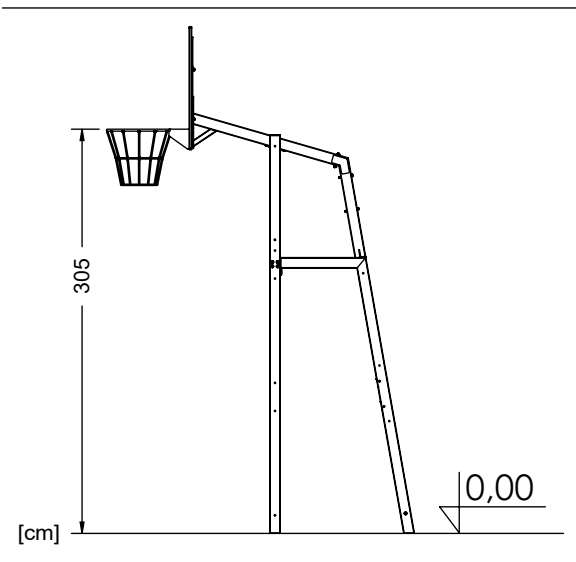
b799



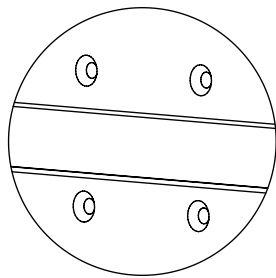
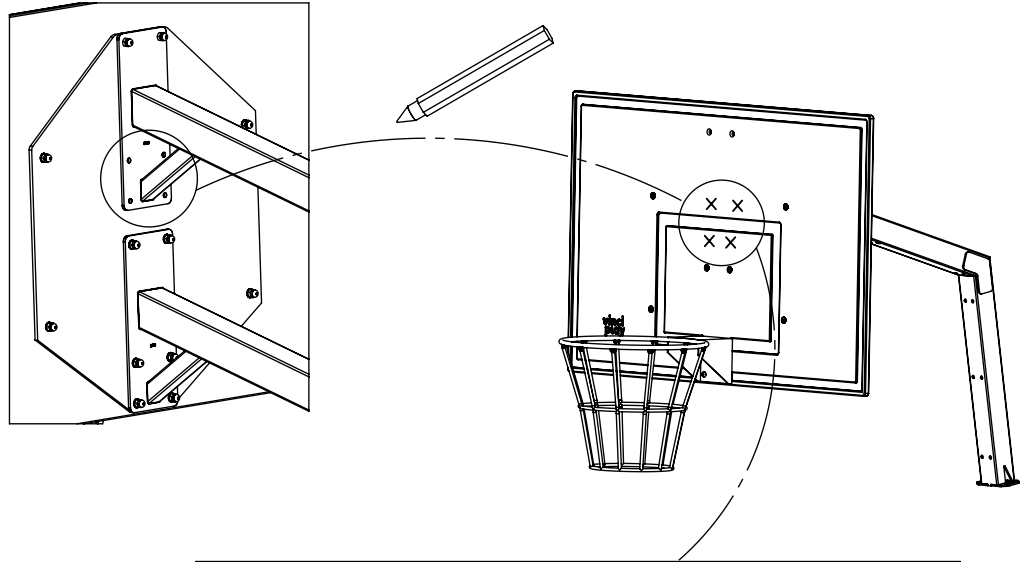
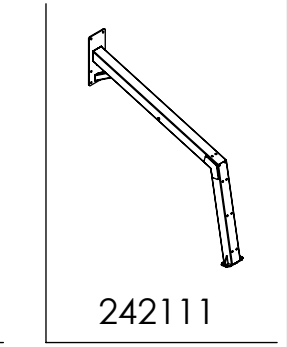
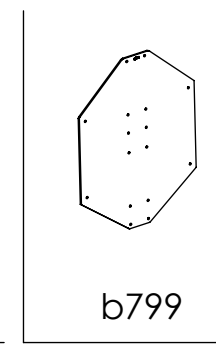
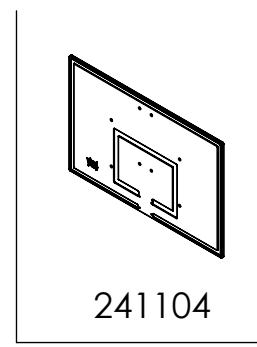
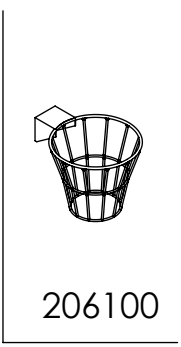
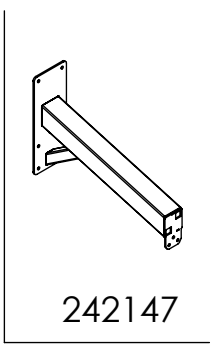
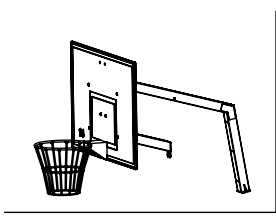
242111



1x **24e012**



vinci  
play

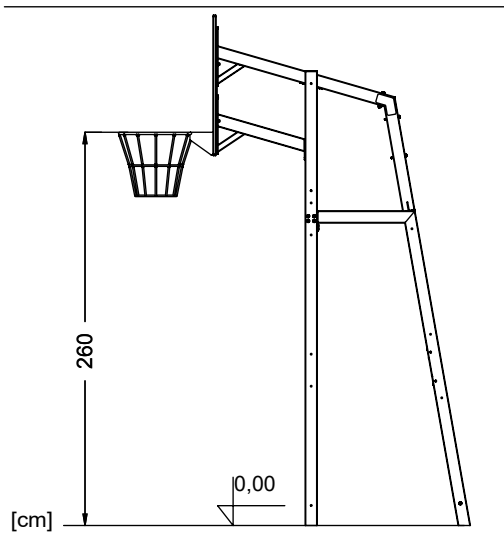


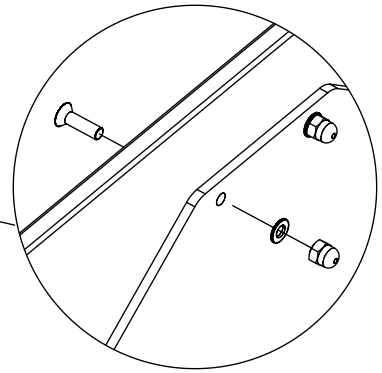
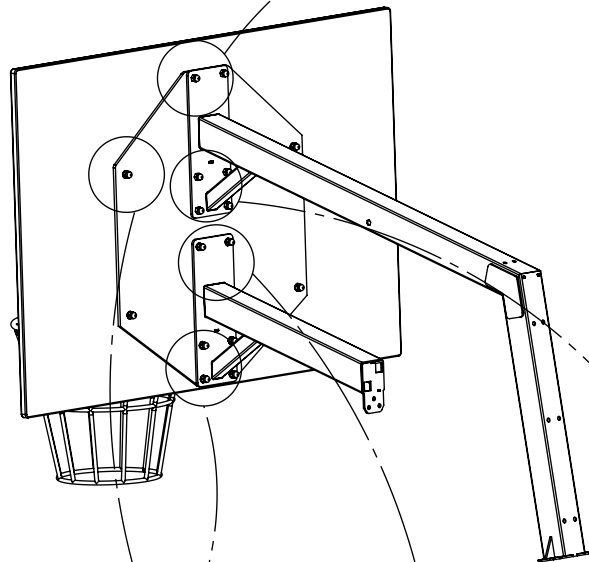
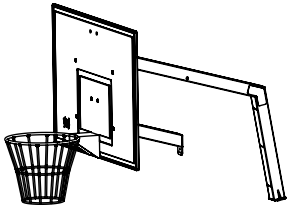
1x **24e013**

Ø 11 mm

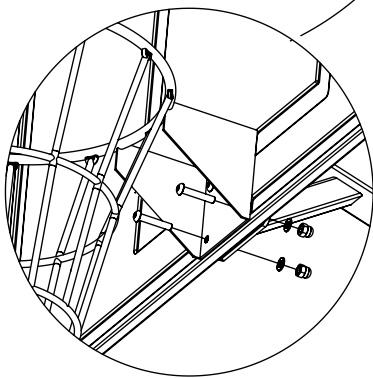
Ø11

NOT INCLUDED

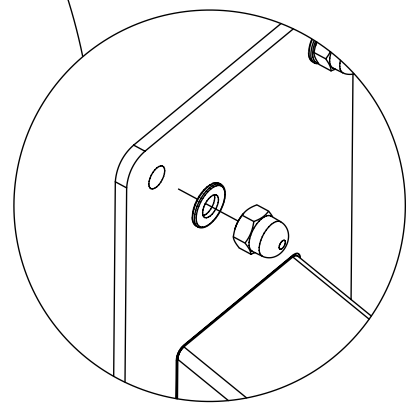




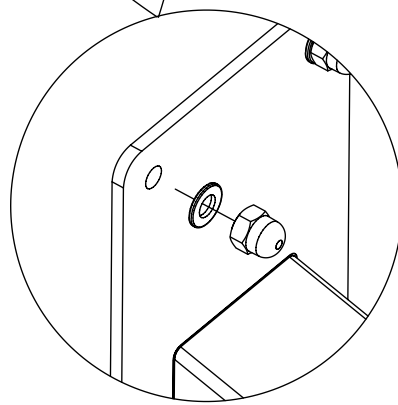
**24e013**



**24e012**



**24e013**

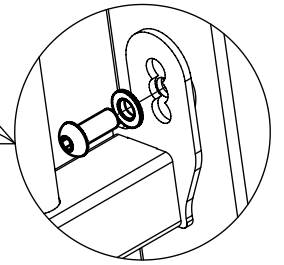
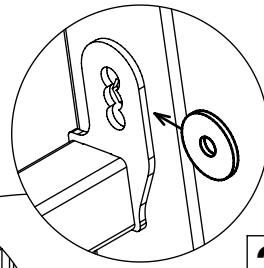


**24e012**

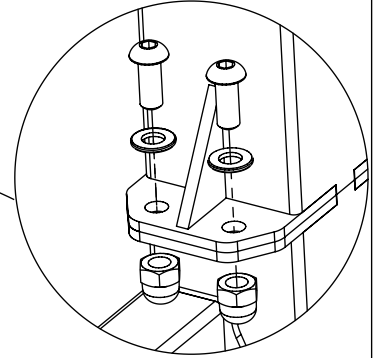
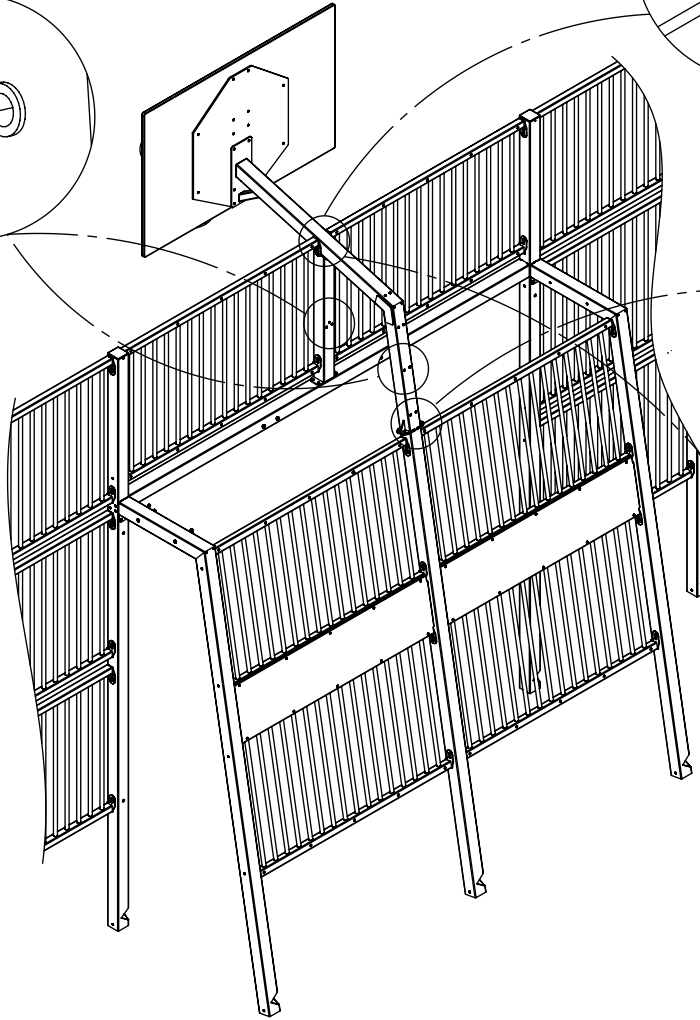
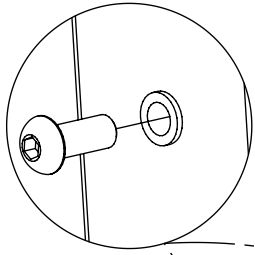
[cm]

vinci  
play

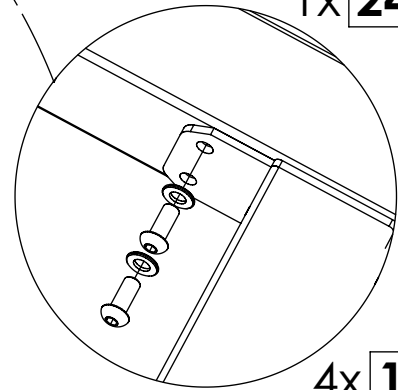
1x **24e014**



**24e007**

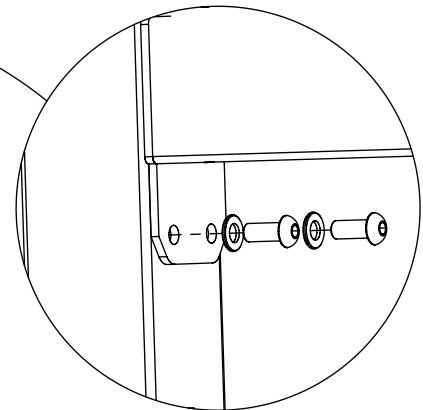
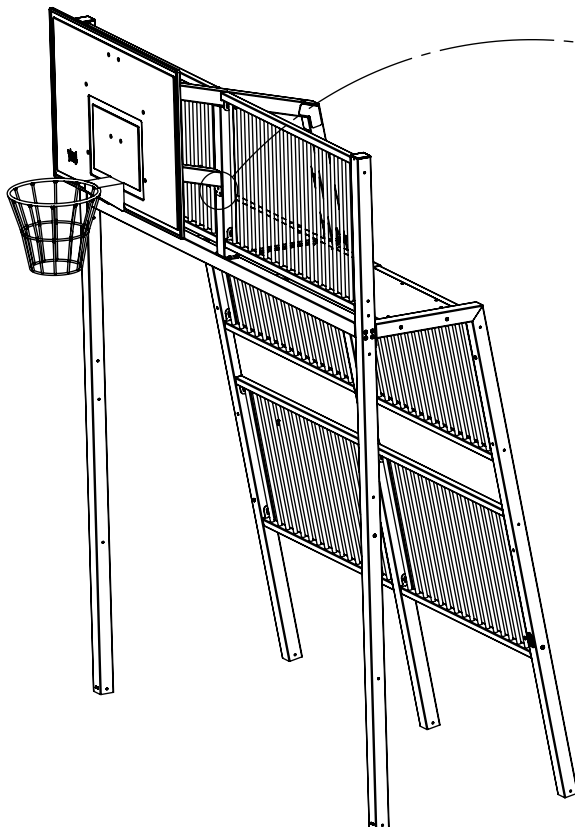


1x **24e018**



4x **10pp**

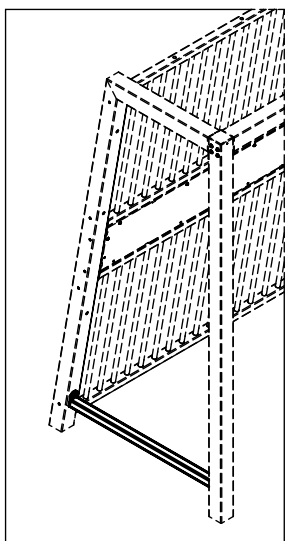
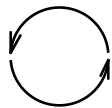
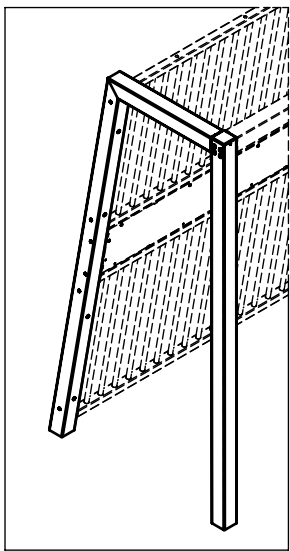
4x **10x25ikl**



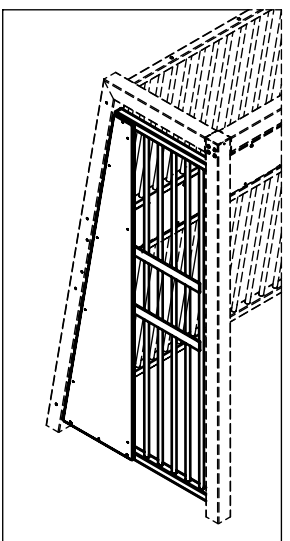
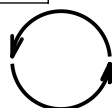
**24e013**

[cm]

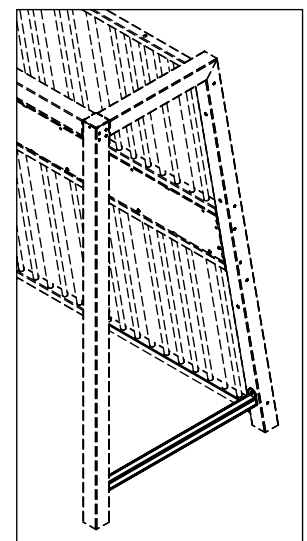
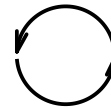
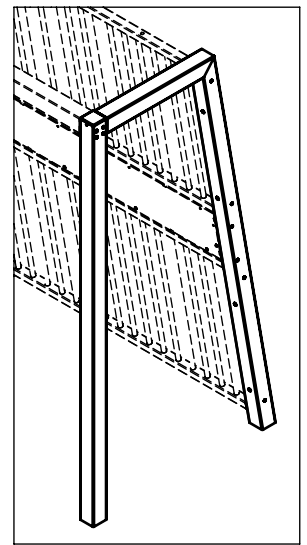
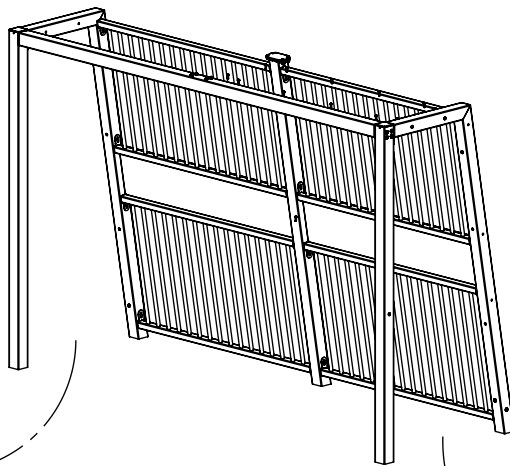
vinci  
play



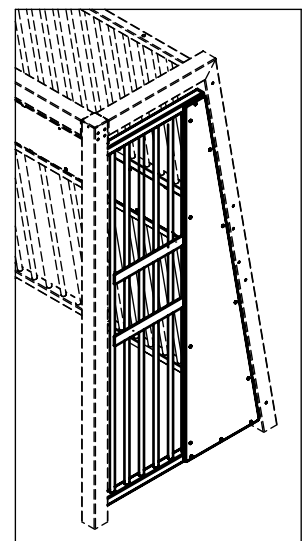
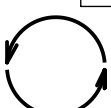
242123



244126



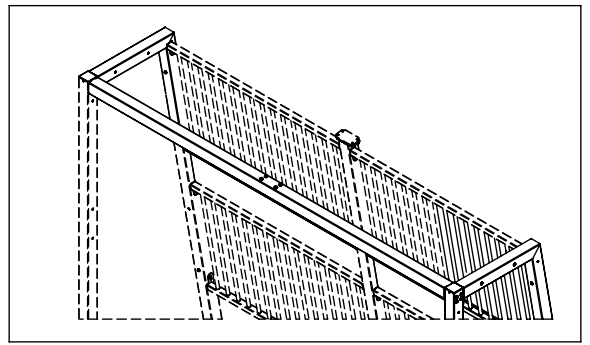
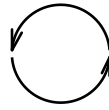
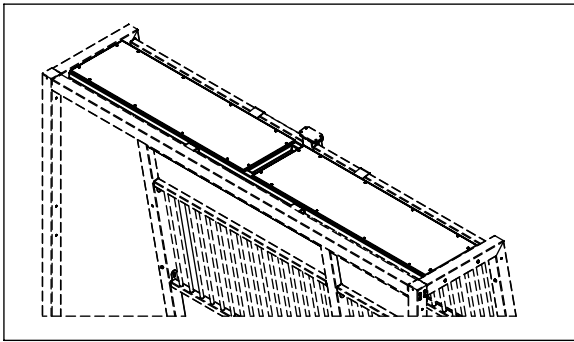
242123



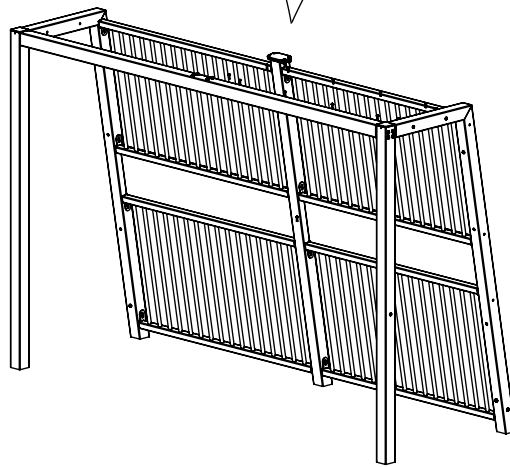
244125

[cm]

vinci  
play



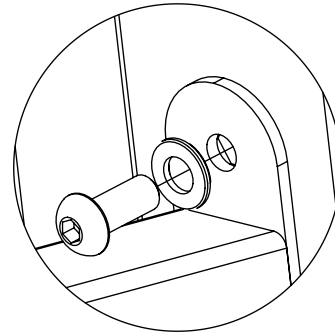
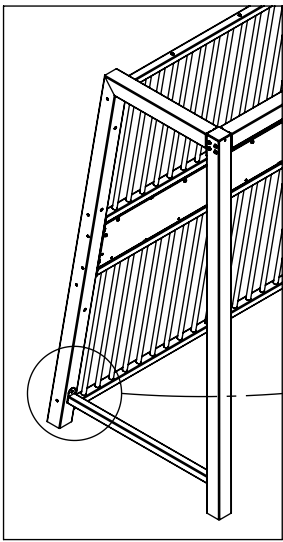
244129



[cm]

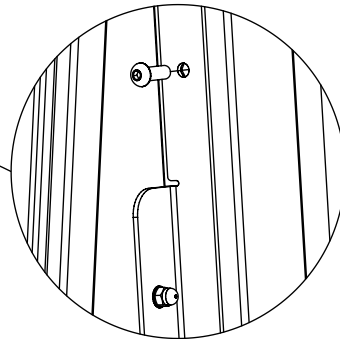
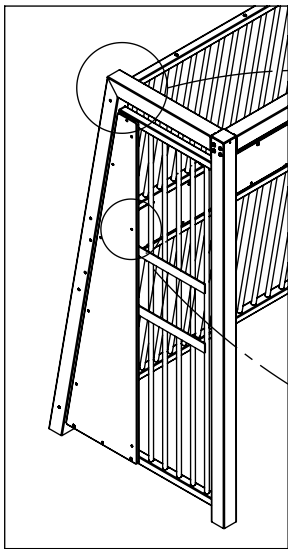
vinci  
play



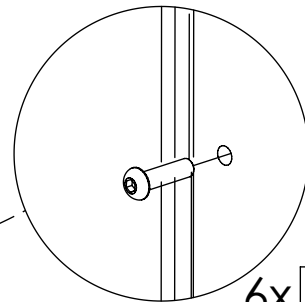


6x **10x25ikl**

6x **10pp**

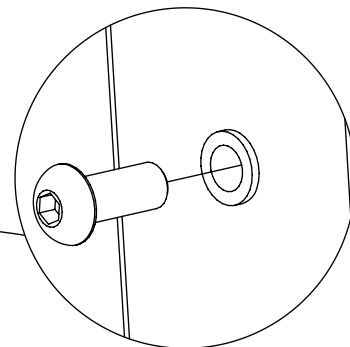
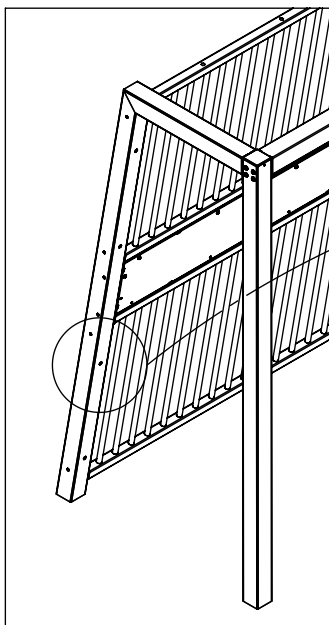


1x **24e011**



6x **10x25ikl**

6x **10pp**

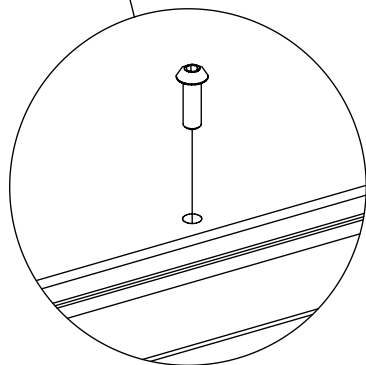
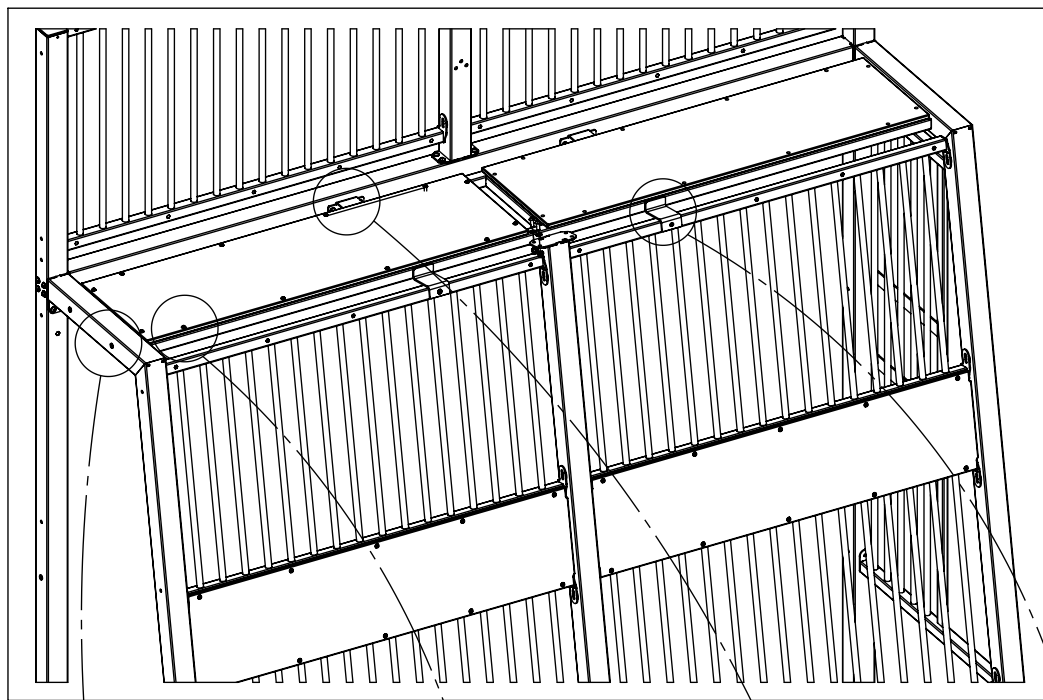


6x **10x25ikl**

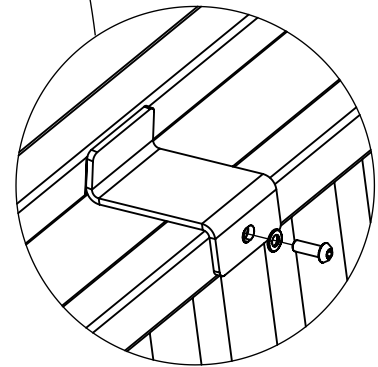
6x **10pp**

[cm]

vinci  
play

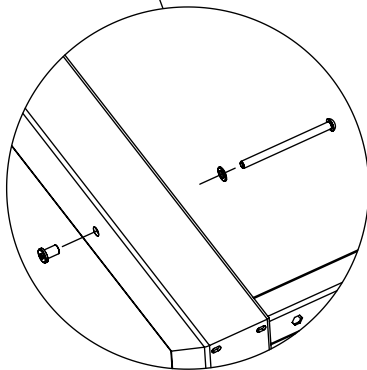


1x **24e029**

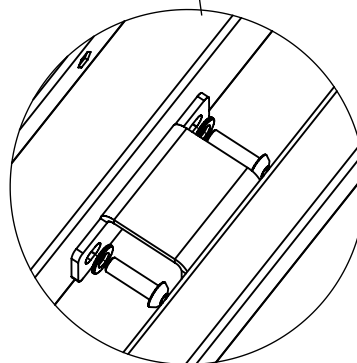


**8x25ikl**

**8pp**



**24e029**



**24e029**