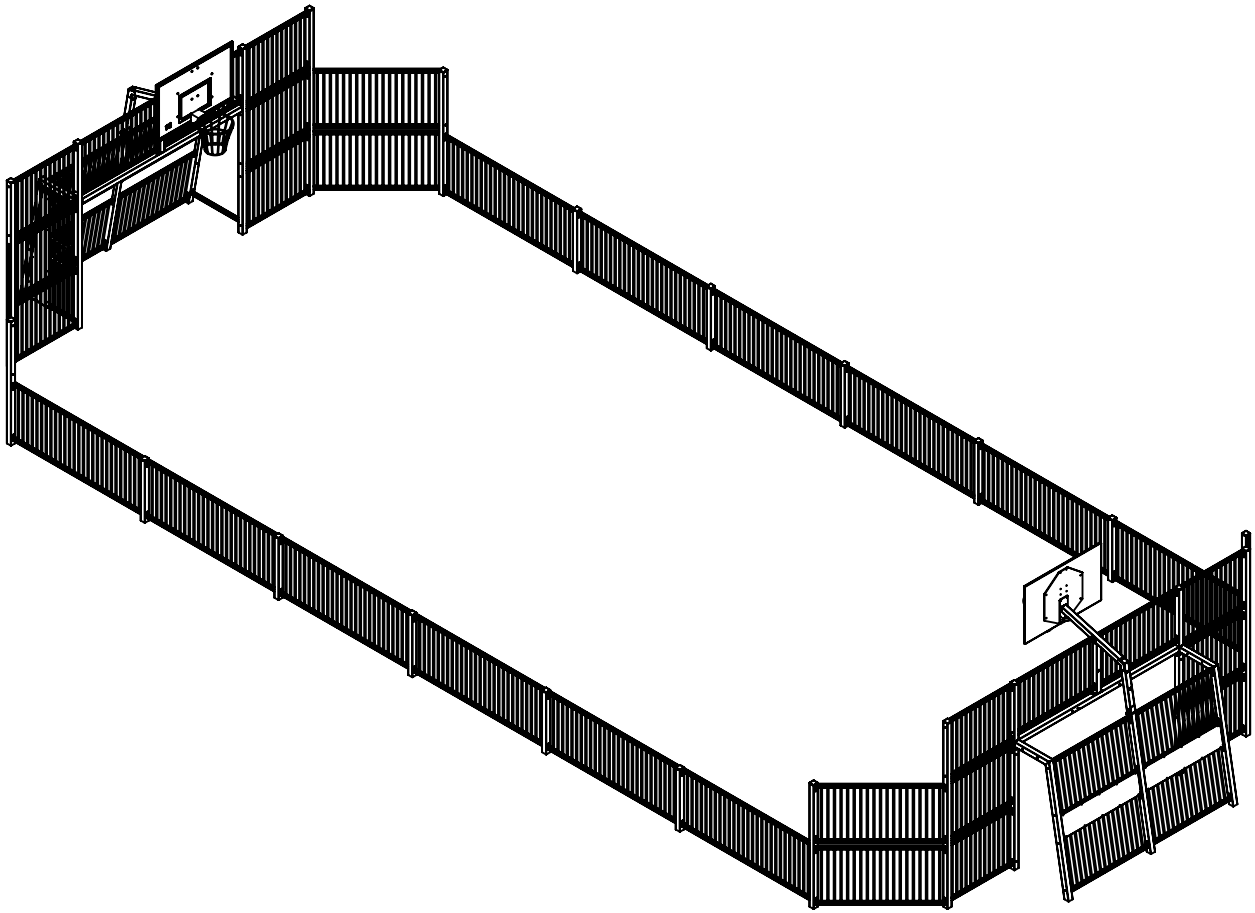
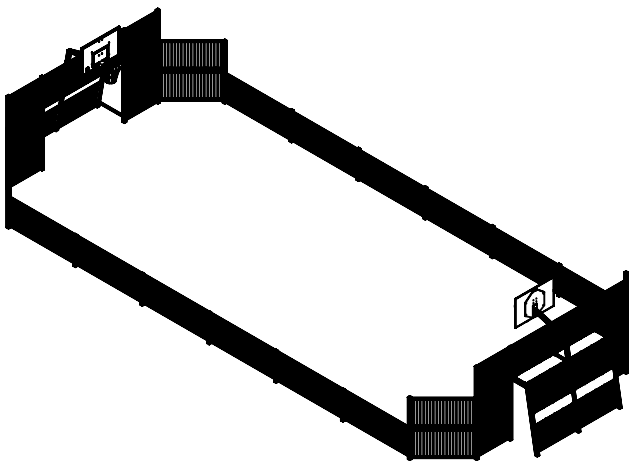


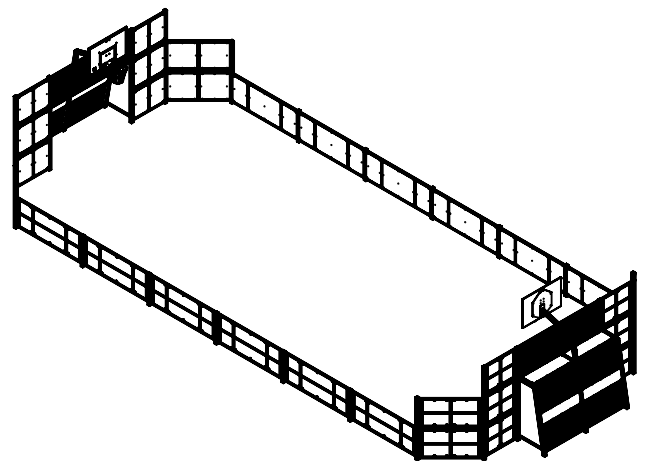
241708-001



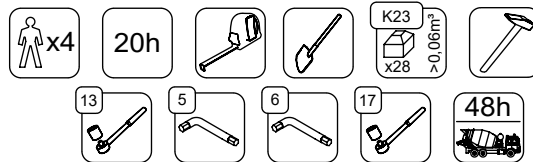
C11G

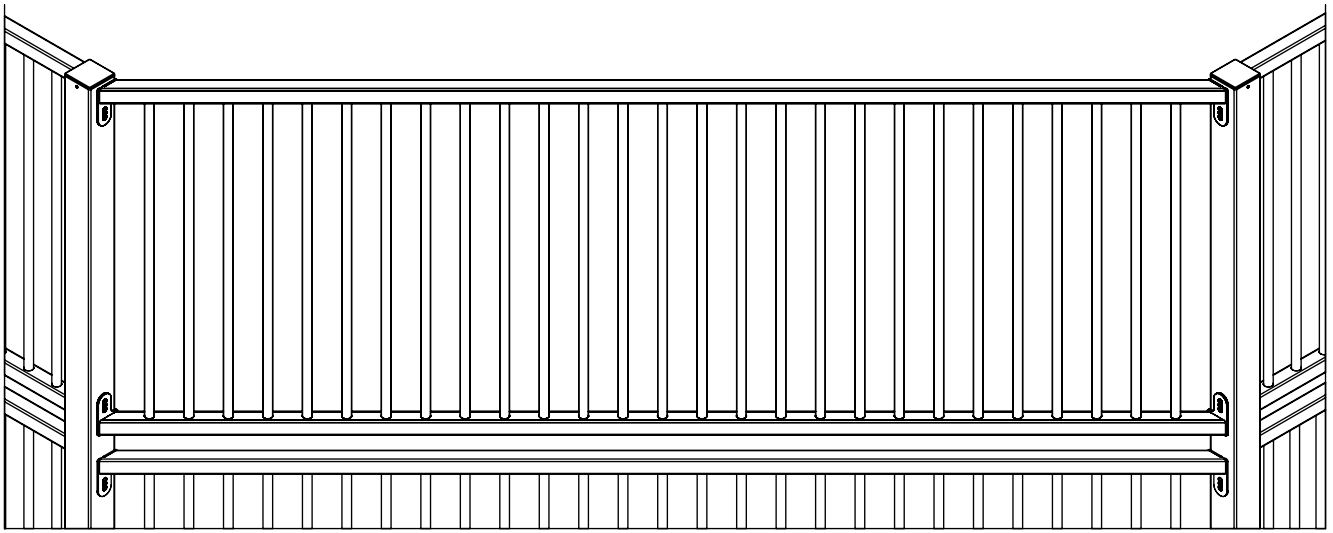


C11Q

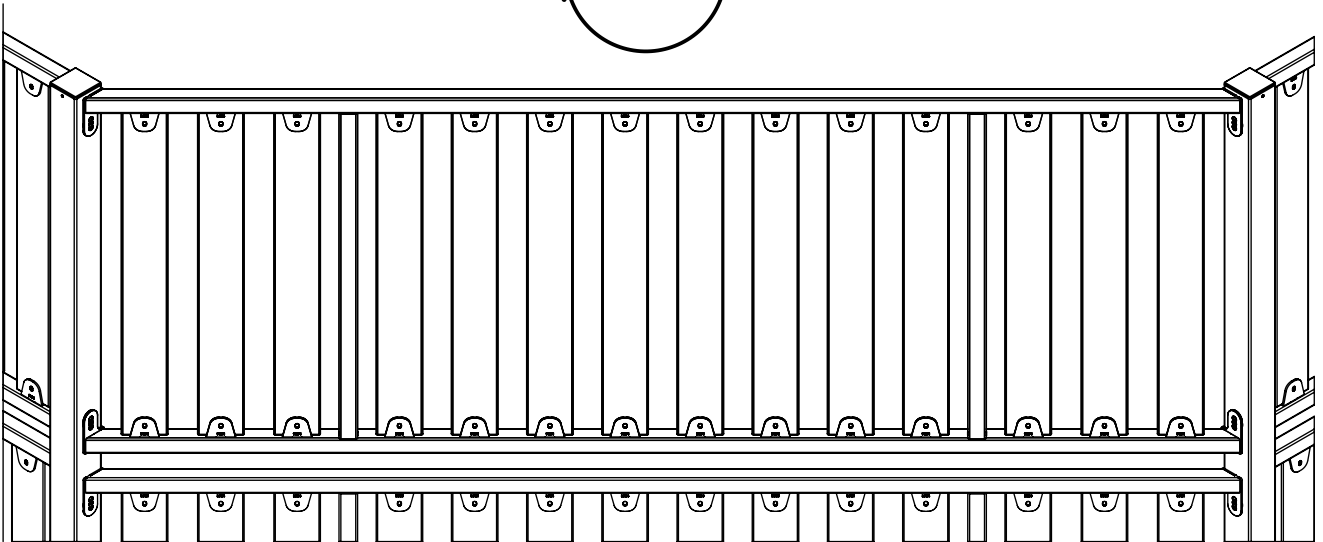
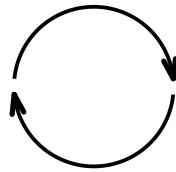


C11E

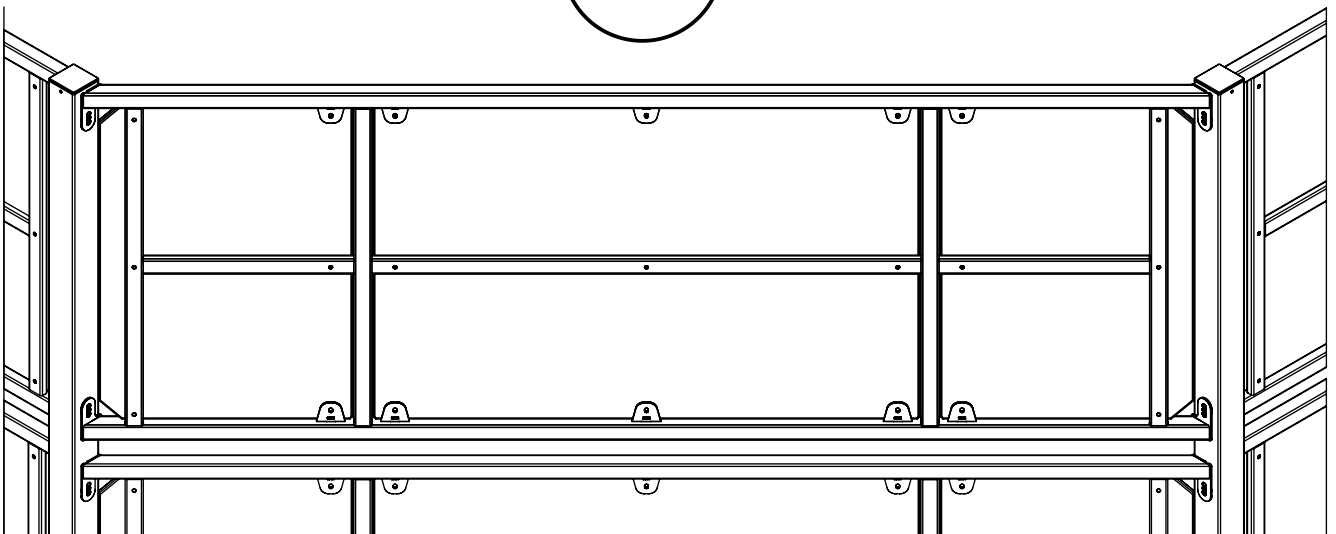
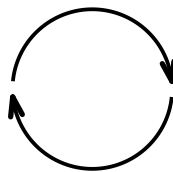




C11G

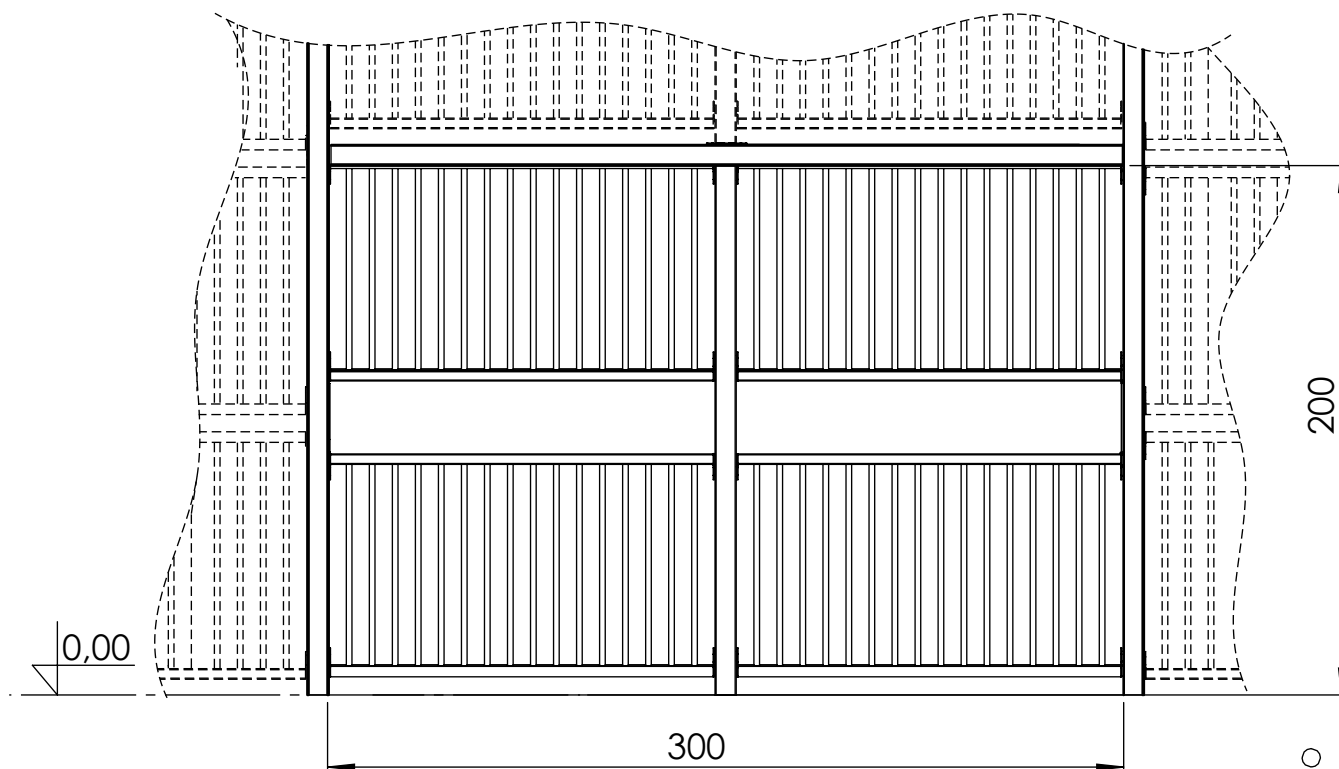
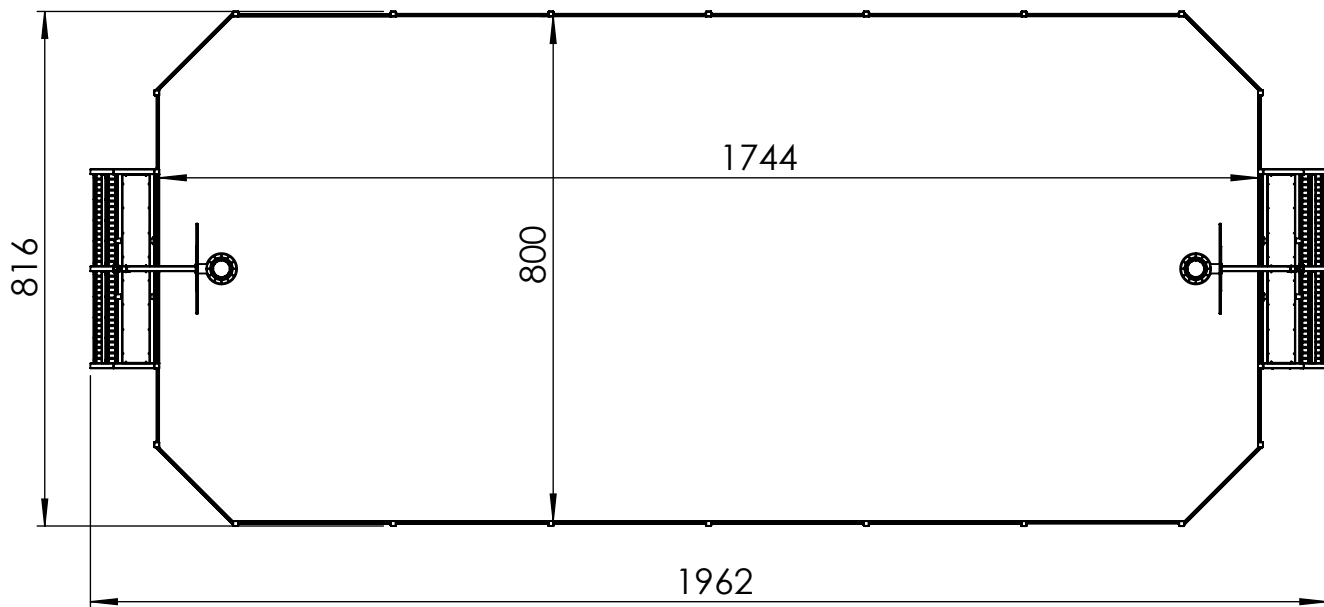
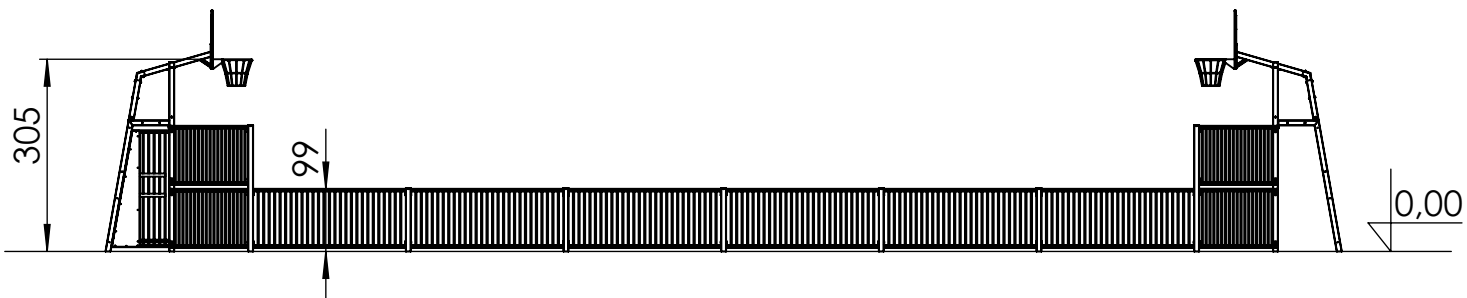


C11Q



C11E

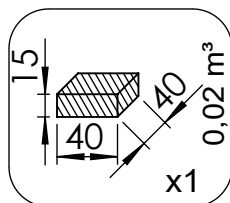
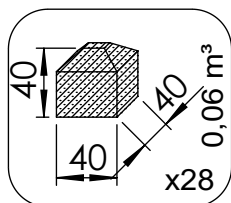
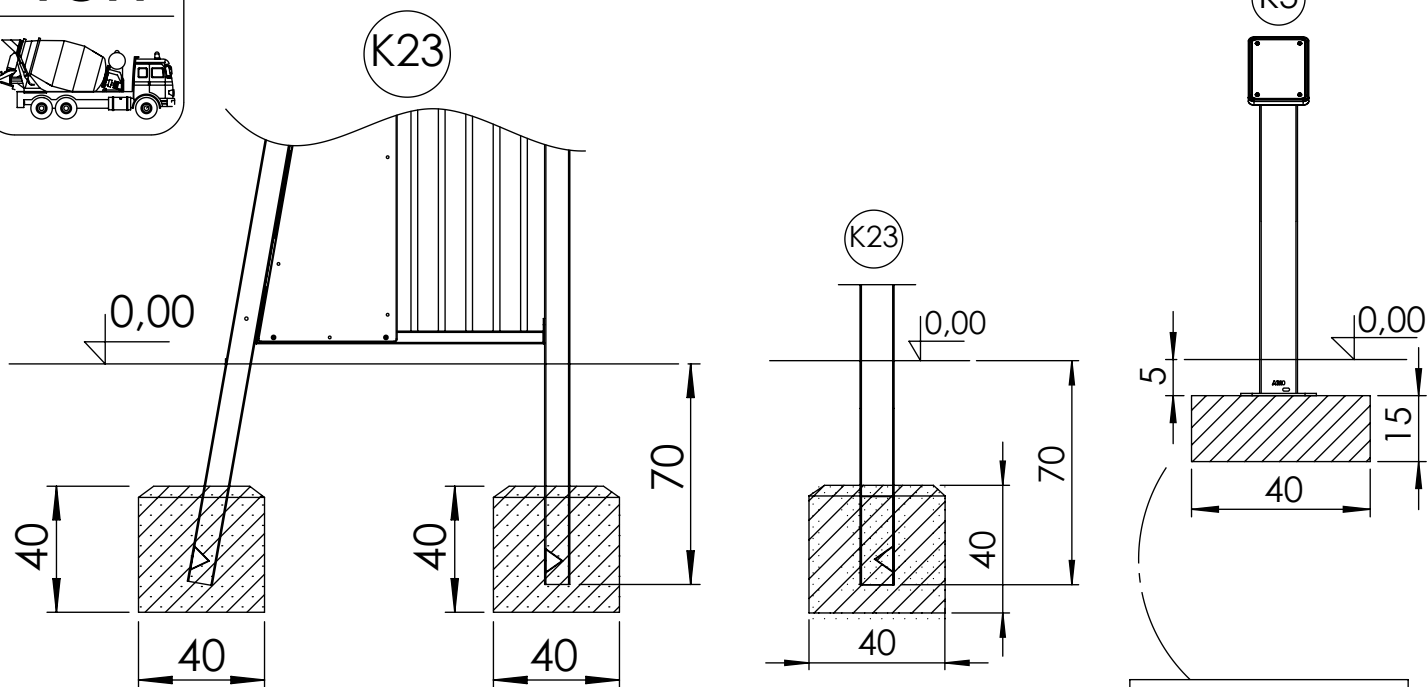
vinci
play



[cm]

vinci
play

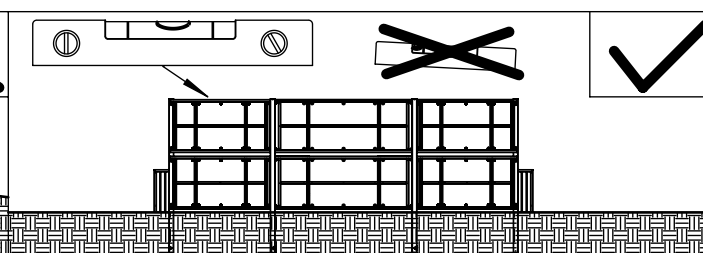
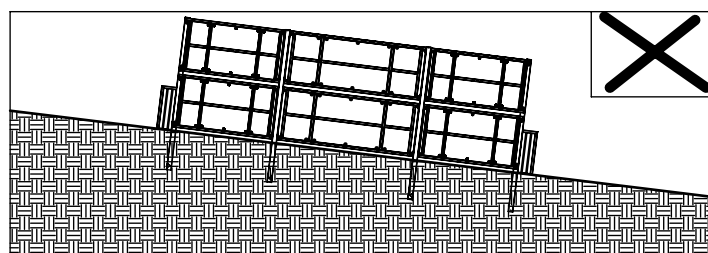
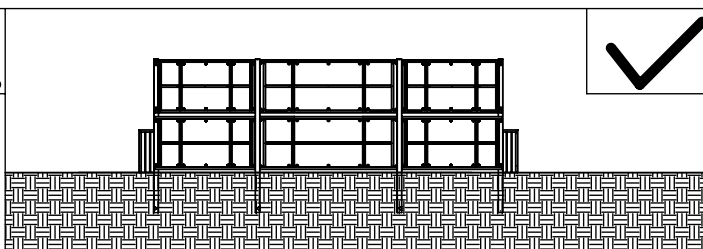
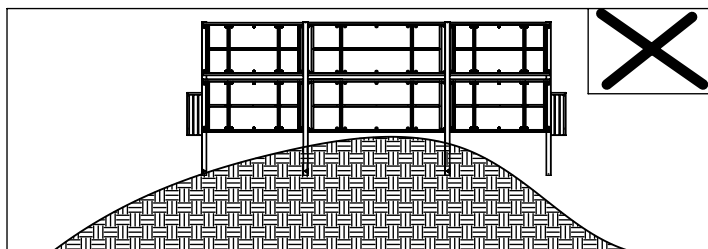
48h



4x M10x120 (K3)

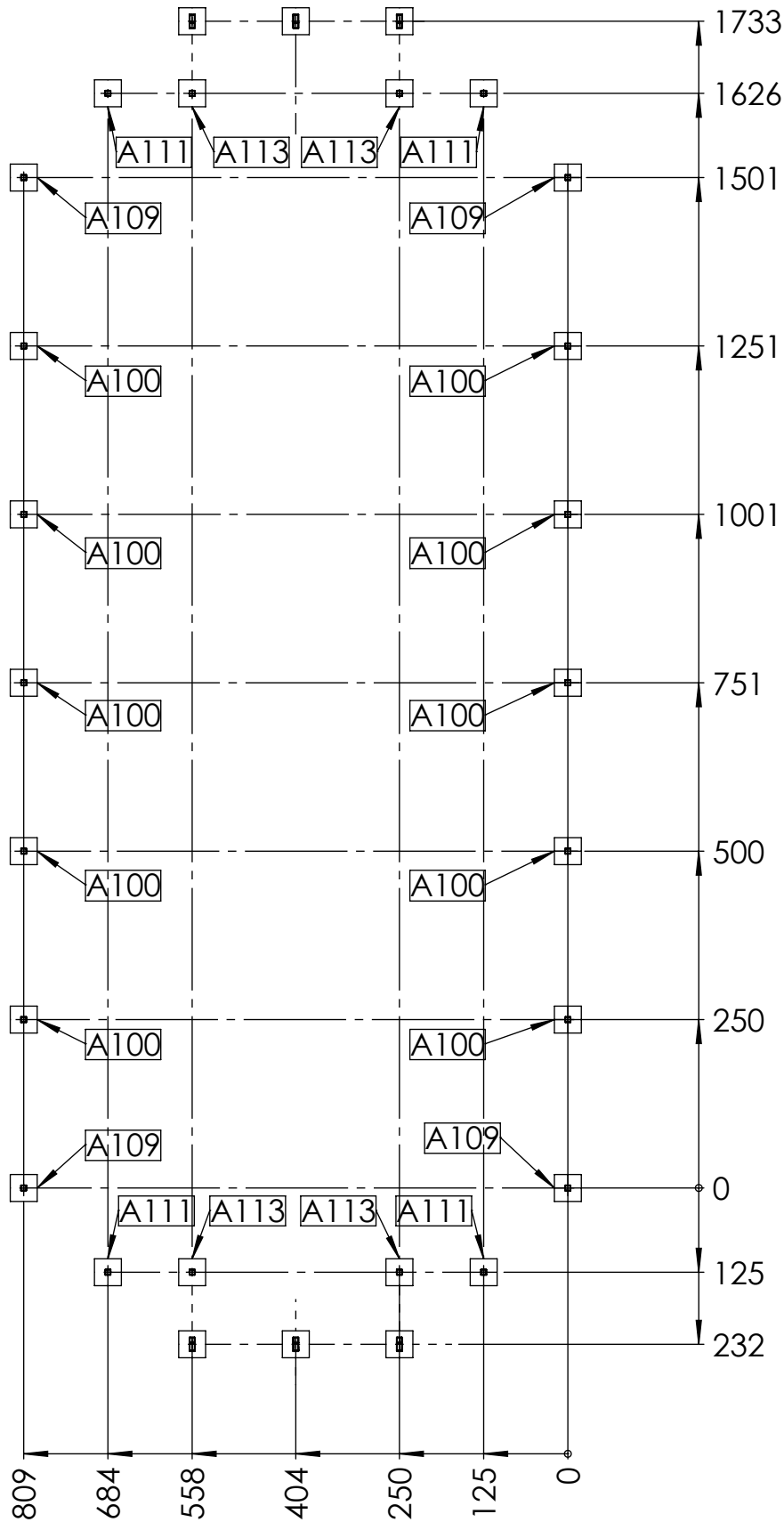
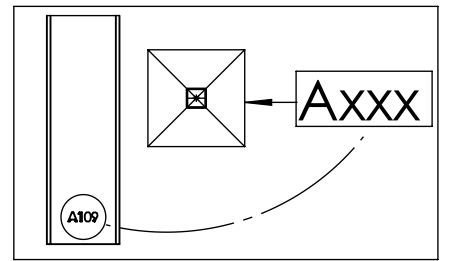


NOT INCLUDED



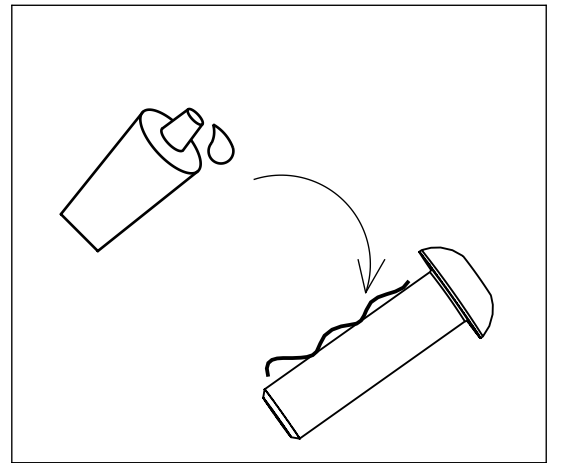
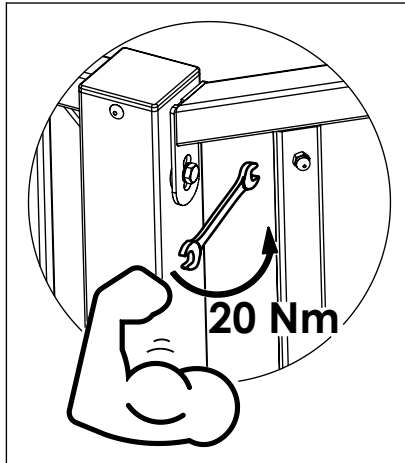
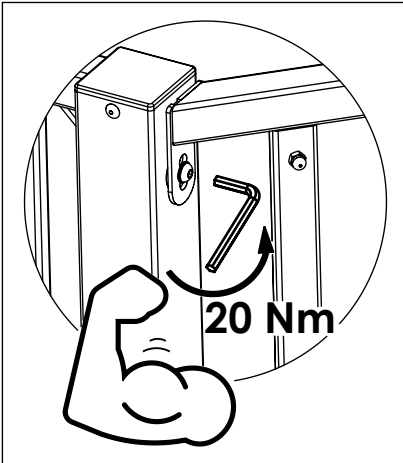
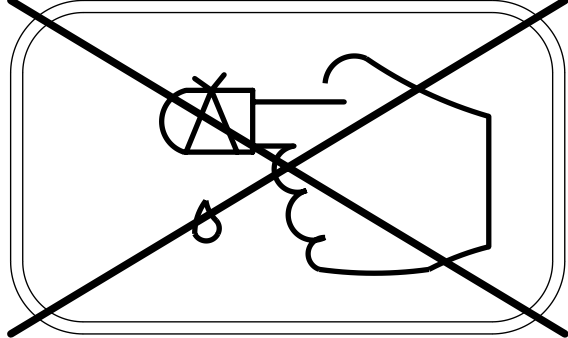
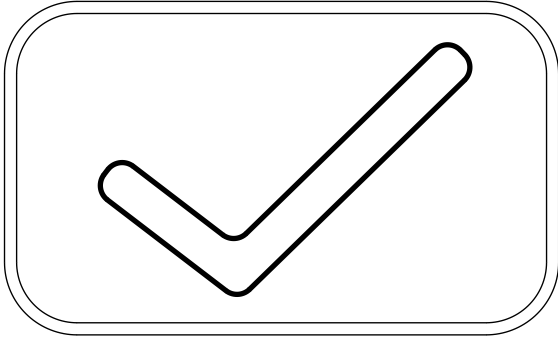
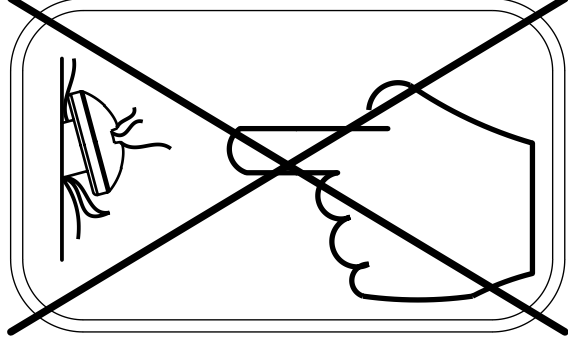
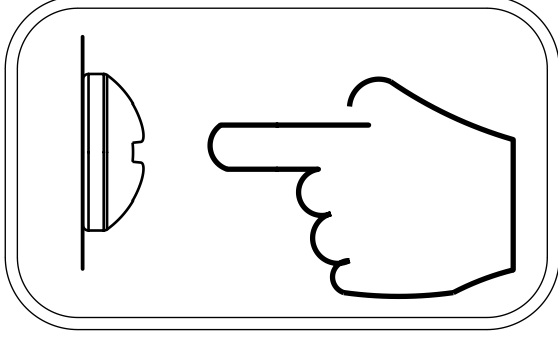
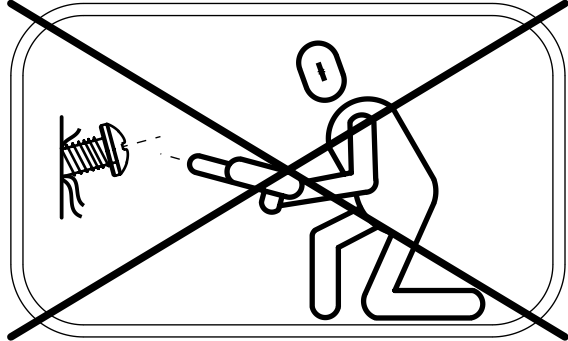
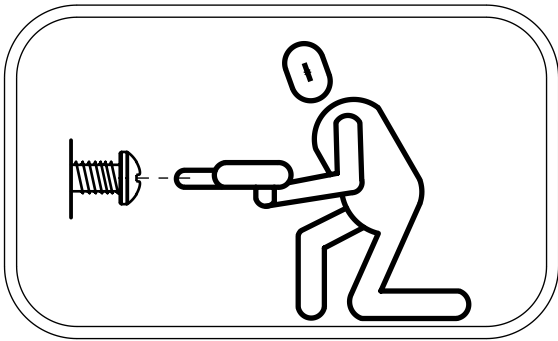
[cm]

vinci
play



[cm]

vinci
play





A111
x4



A113
x4

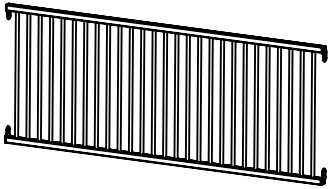


A109
x4

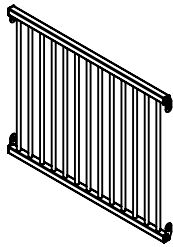


A100
x10

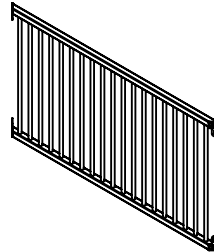
C11G



242100
x12

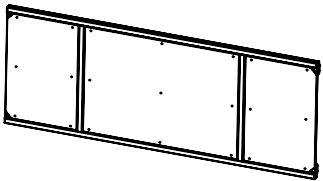


242107
x12

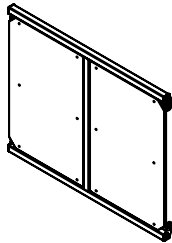


242144
x8

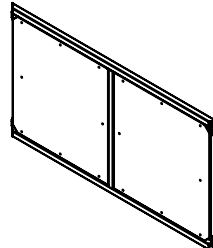
C11E



244102
x12

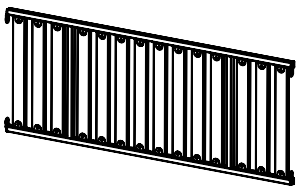


244101
x12

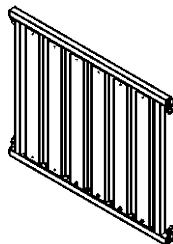


244123
x8

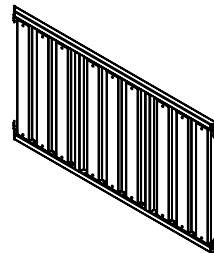
C11Q



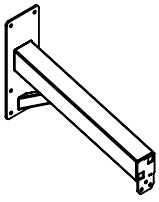
244105
x12



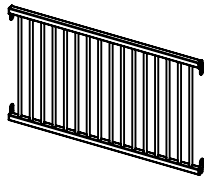
244109
x12



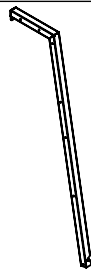
244124
x8



242114
x2



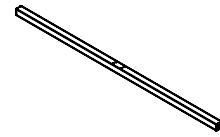
242139
x12



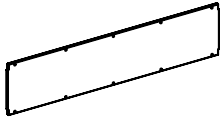
242115
x4



242113
x2



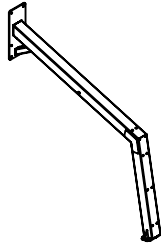
242112
x2



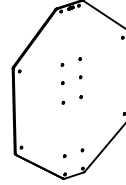
241109
x4



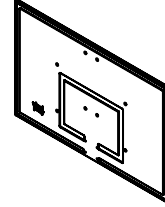
242114
x2



242111
x2



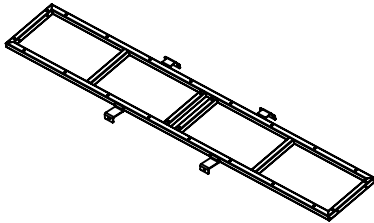
b799
x2



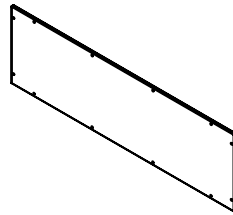
241104
x2



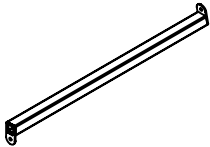
206100
x2



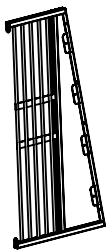
242152



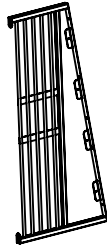
241115



242123



244125



242109



241103

1x **24e011**



244126



242146




241103

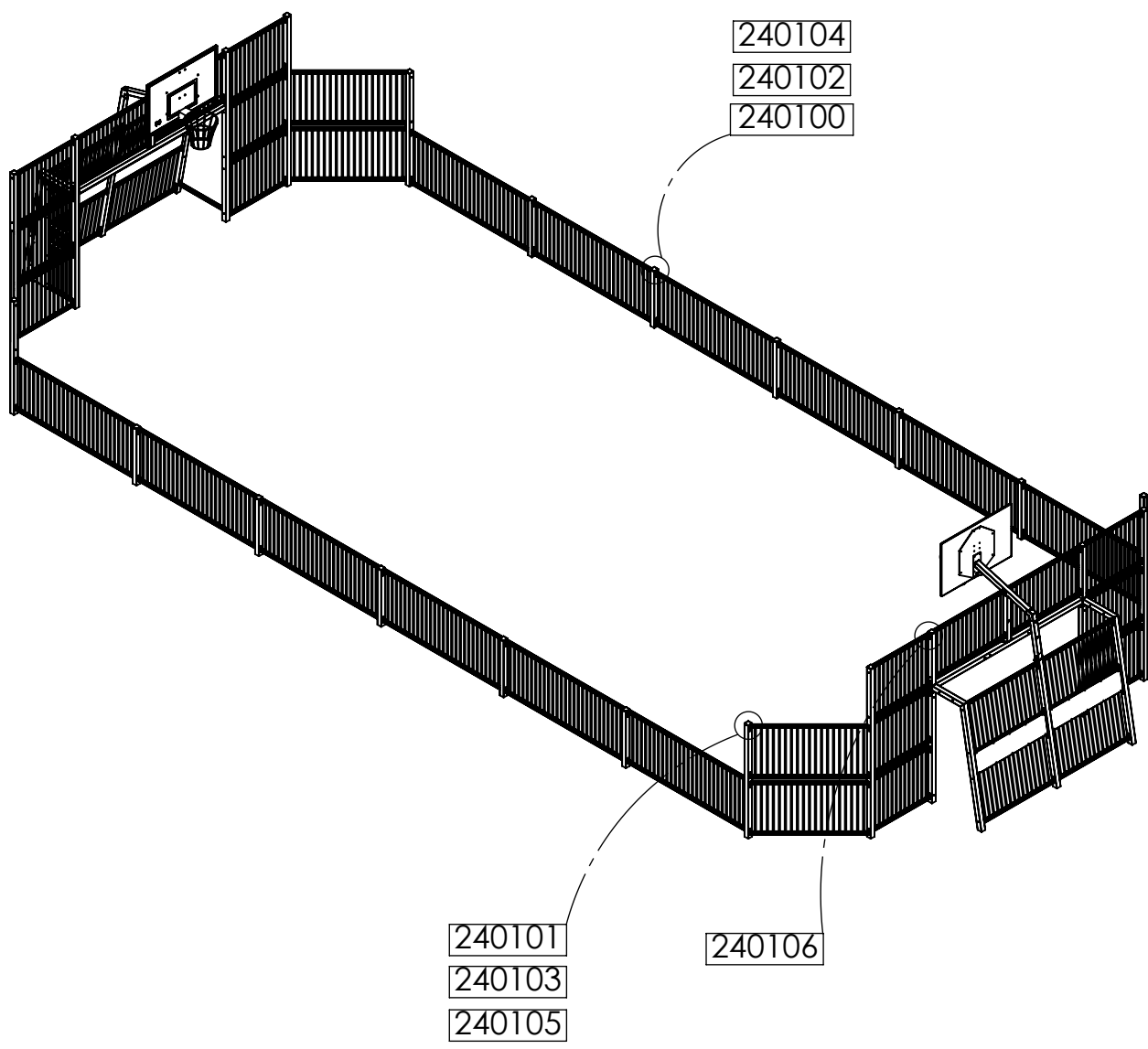
1x **24e011**

[cm]

vinci
play

- 
- 240100
 - 240101
 - 240102
 - 240103
 - 240104
 - 240105
 - 240106

12x	24e007
2x	24e017
2x	24e018
4x	24e023
8x	24e024
2x	24e012
2x	24e013
2x	24e014
2x	24e027
4x	24e011
20x	24e001
80x	8x25ikl
40x	8x30ikl
80x	8pp
52x	10x25ikl
52x	10pp



240T04

240T02

240T00

240T01

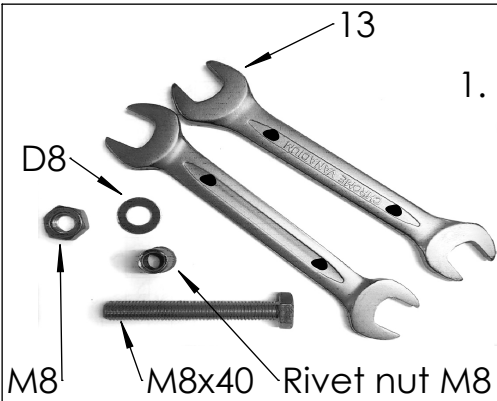
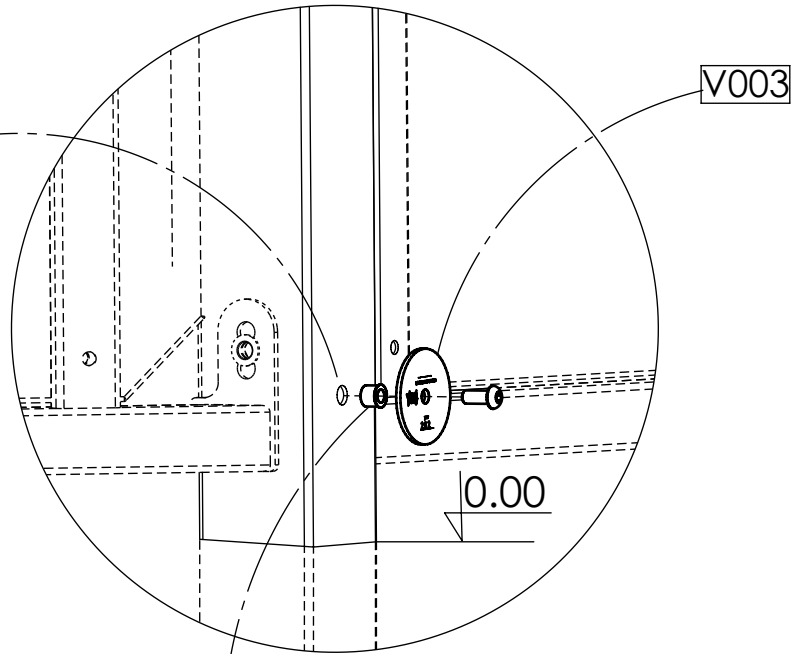
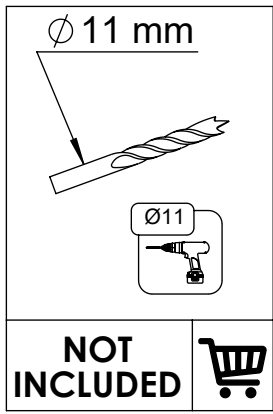
240T03

240T05

240T06

[cm]

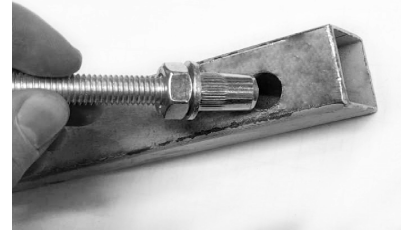
vinci
play



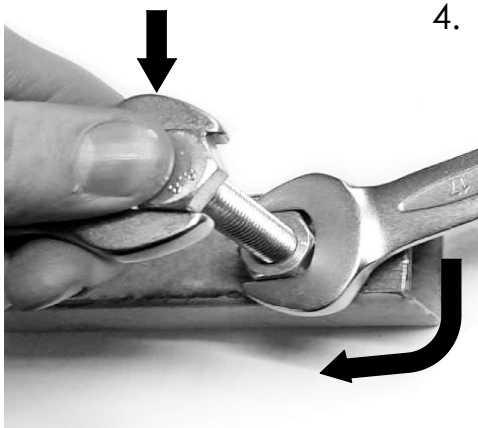
1.



2.



3.



4.



5.

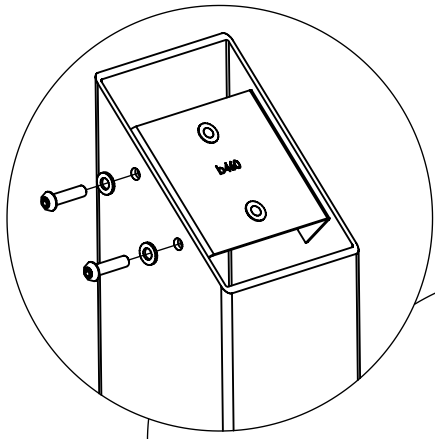


6.

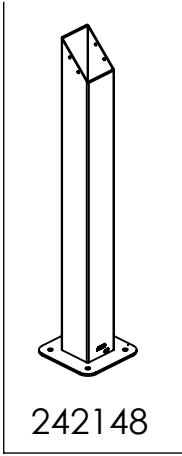
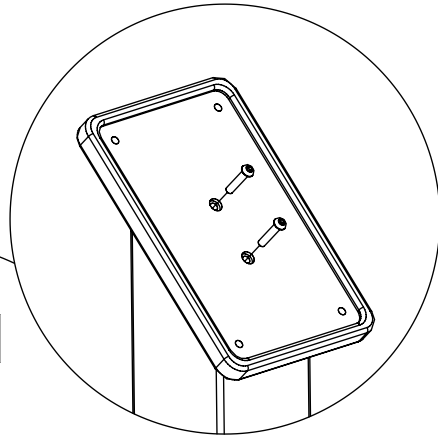
Keep the head of the screw still (it can not rotate!)
 - then by using short wrench - rotate/screw only the bottom part of solution - the nur. Attention!
 - do not put much power for this operation (otherwise the rivet nut will be damaged!).
 The difference between screw head and the nut should change from 3mm to 8mm

After that unscrew screws

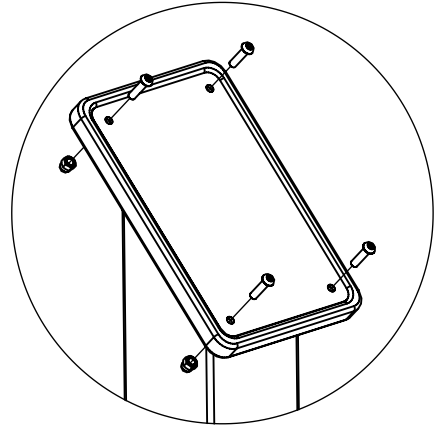
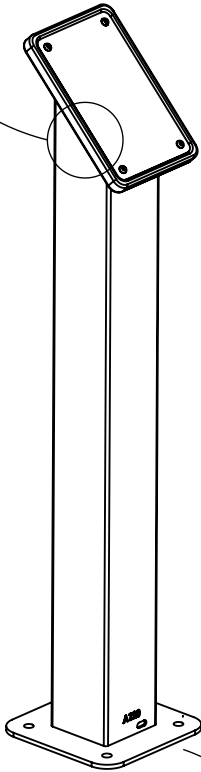
Final effect



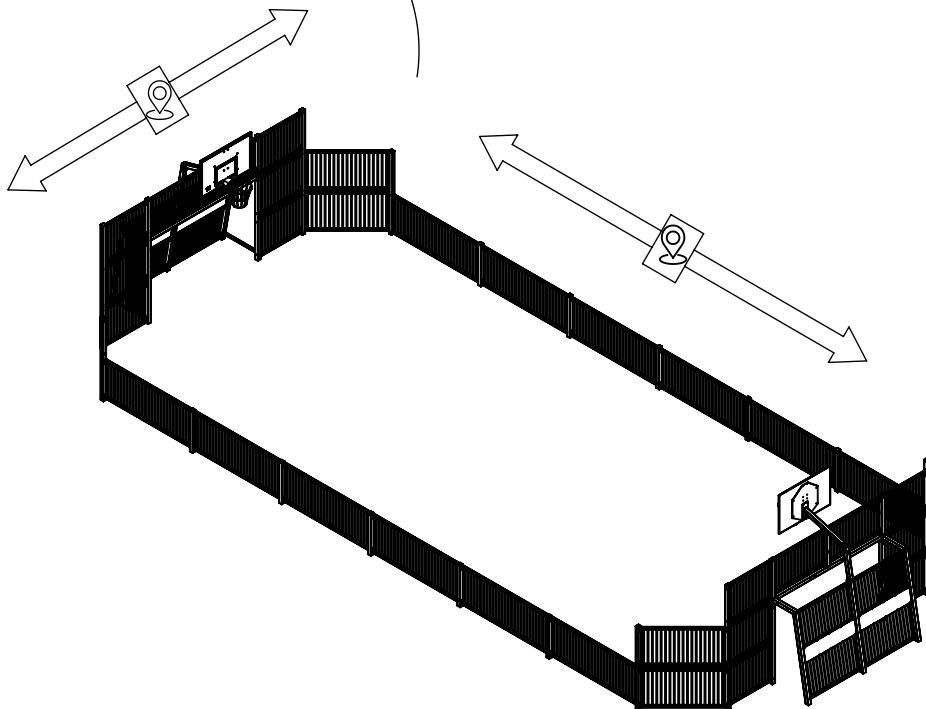
24e006



242148



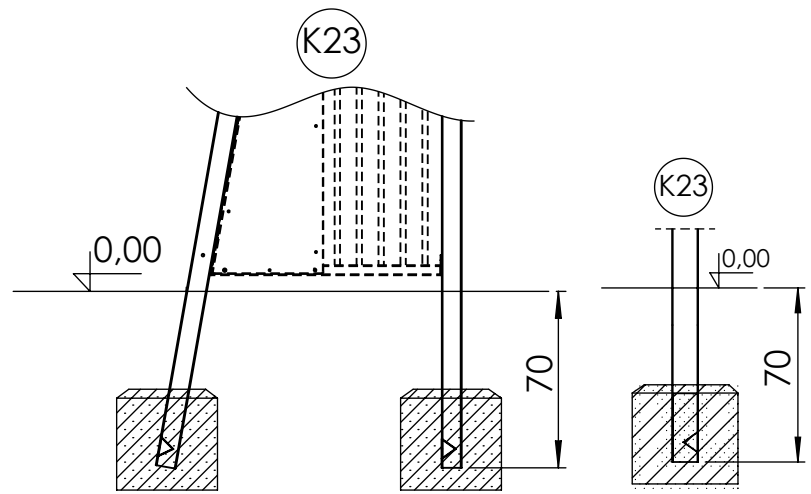
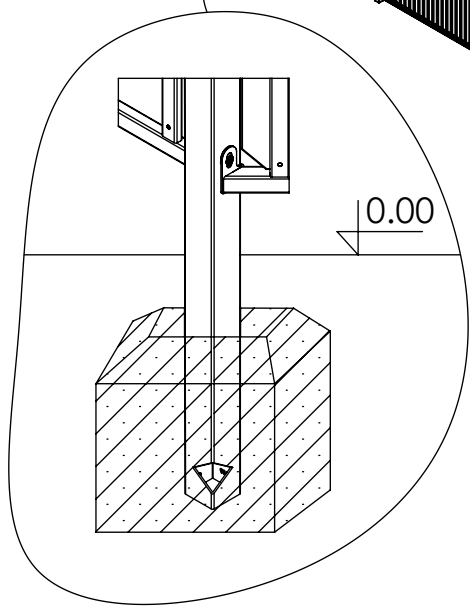
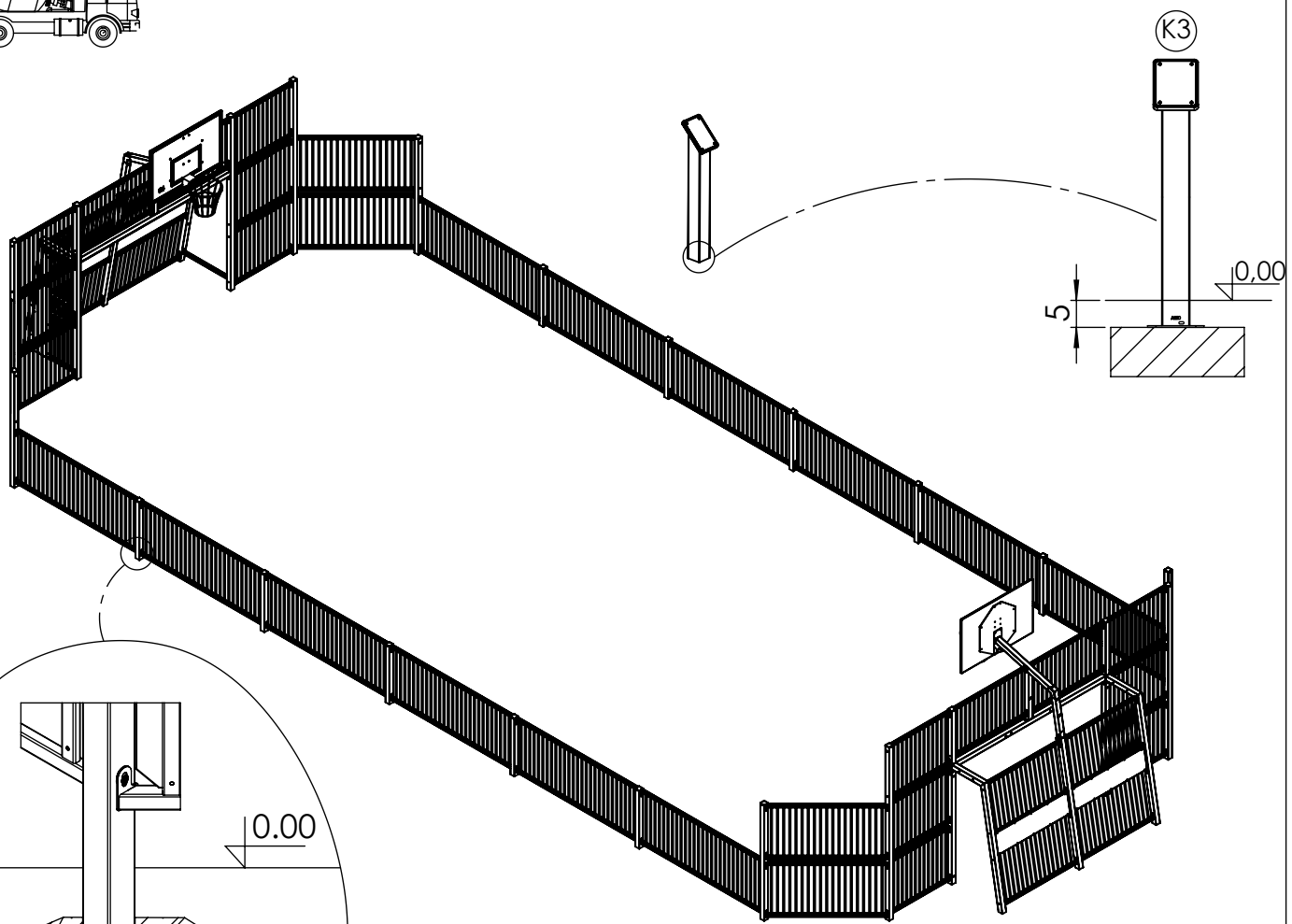
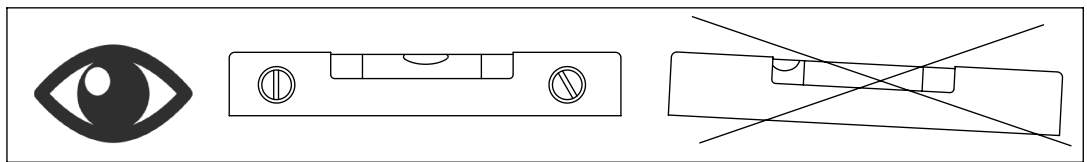
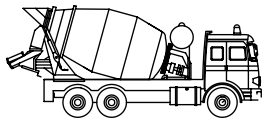
24e005



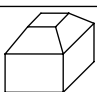
[cm]

vinci
play

48h



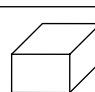
K23



x28

>0,06m³


K3




x1

>0,02m³

Part No:
000000-
00000



000000-00000



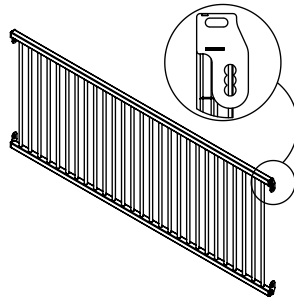
[cm]

vinci play

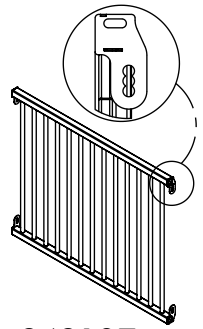
240100



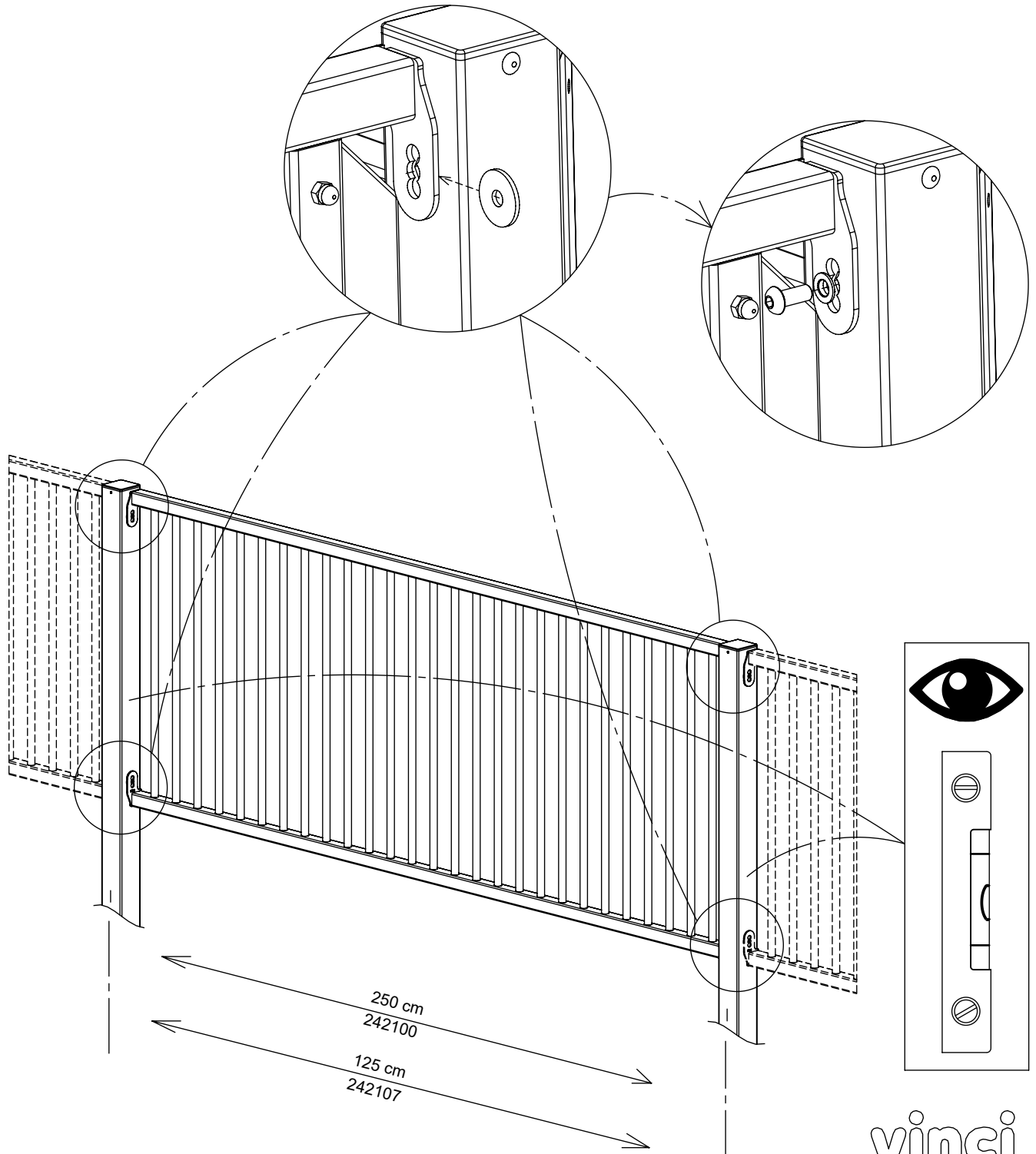
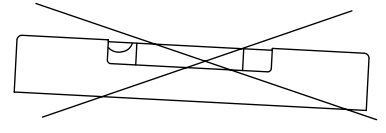
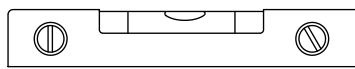
24e001



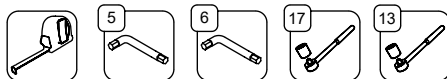
242100



242107



[cm]

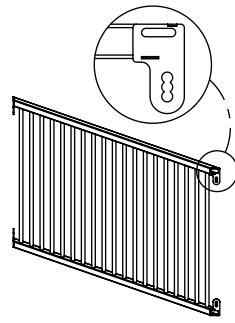


vinci
play

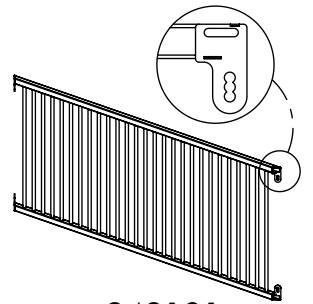
240101



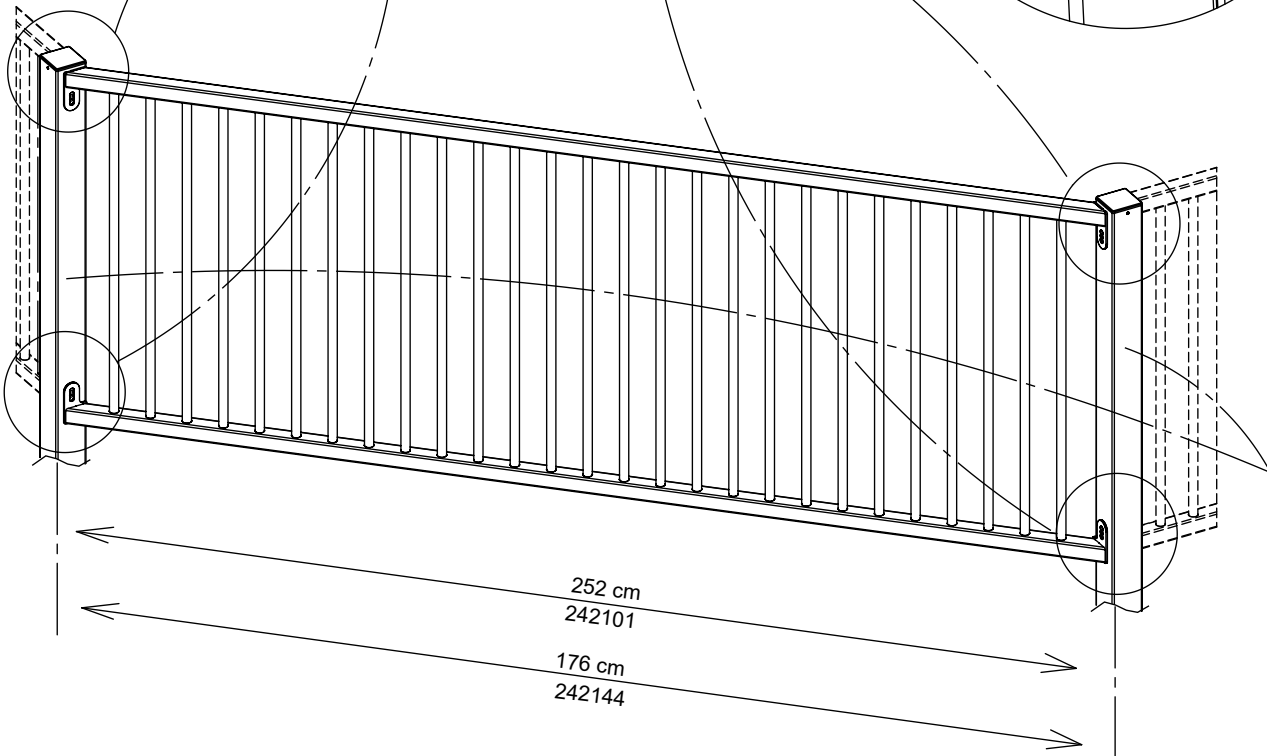
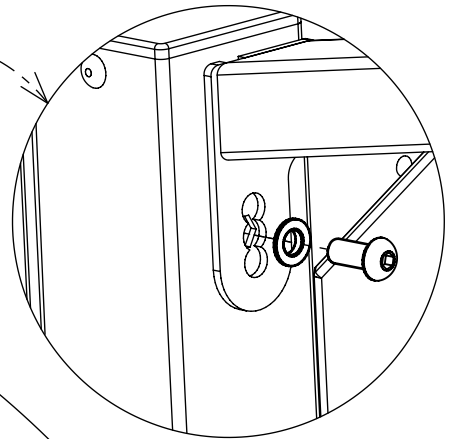
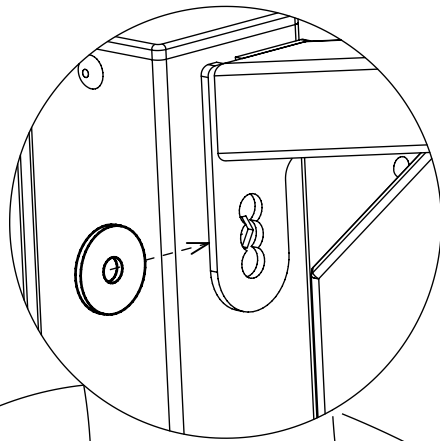
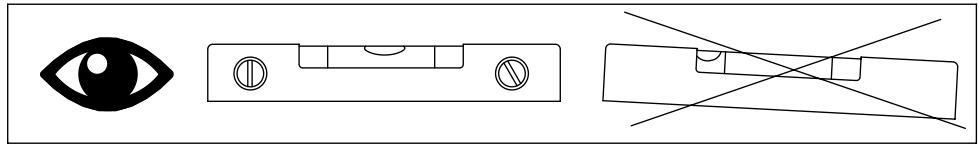
24e001



242144

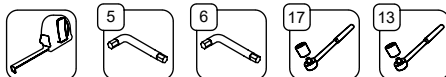


242101



252 cm
242101

176 cm
242144



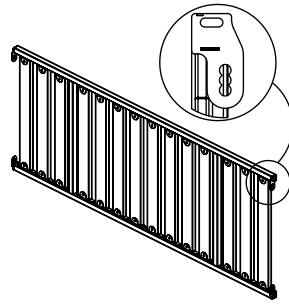
vinci
play

[cm]

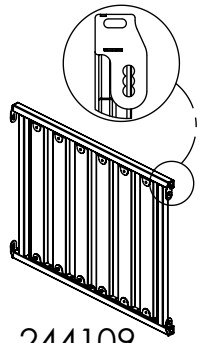
240102



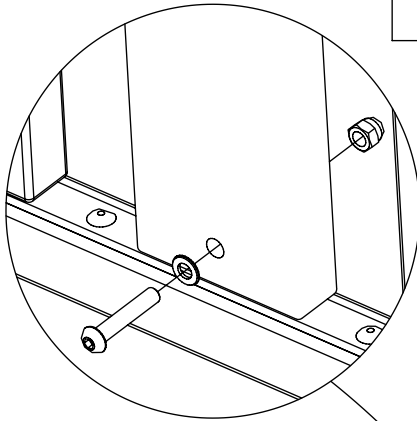
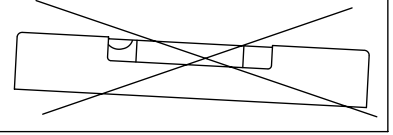
24e001,24e003,24e004



244105

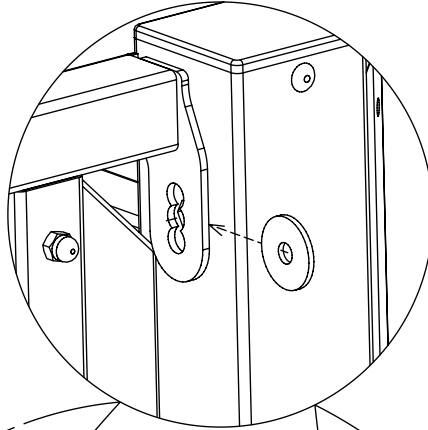


244109

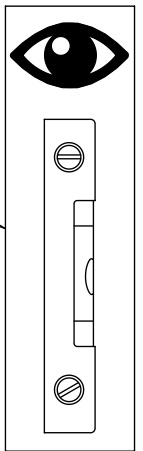
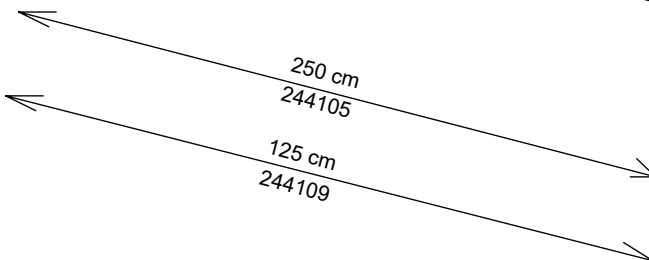
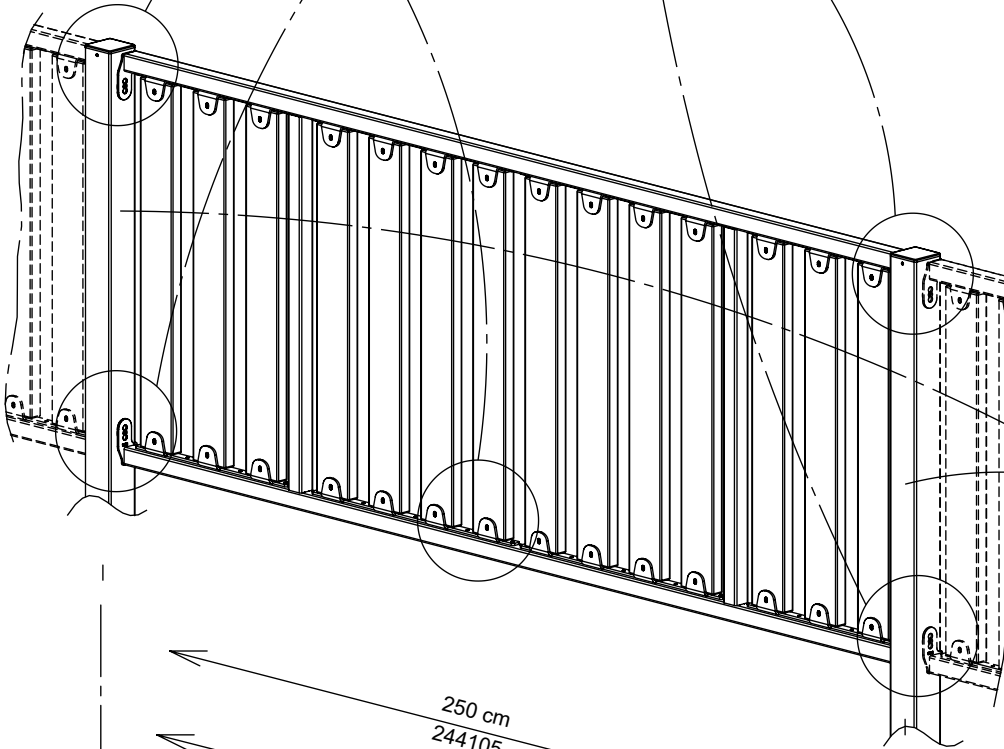
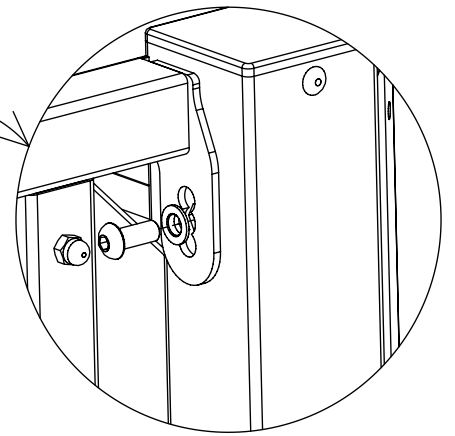


24e003

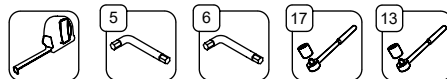
24e004



24e001



[cm]

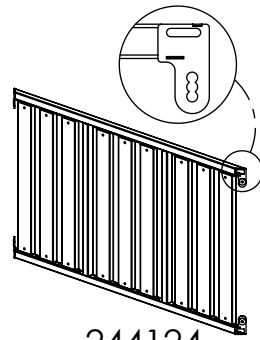


vinci play

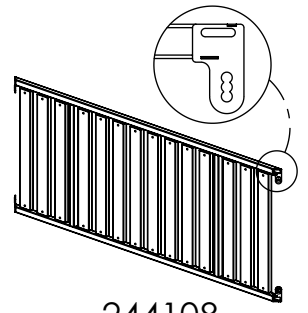
240103



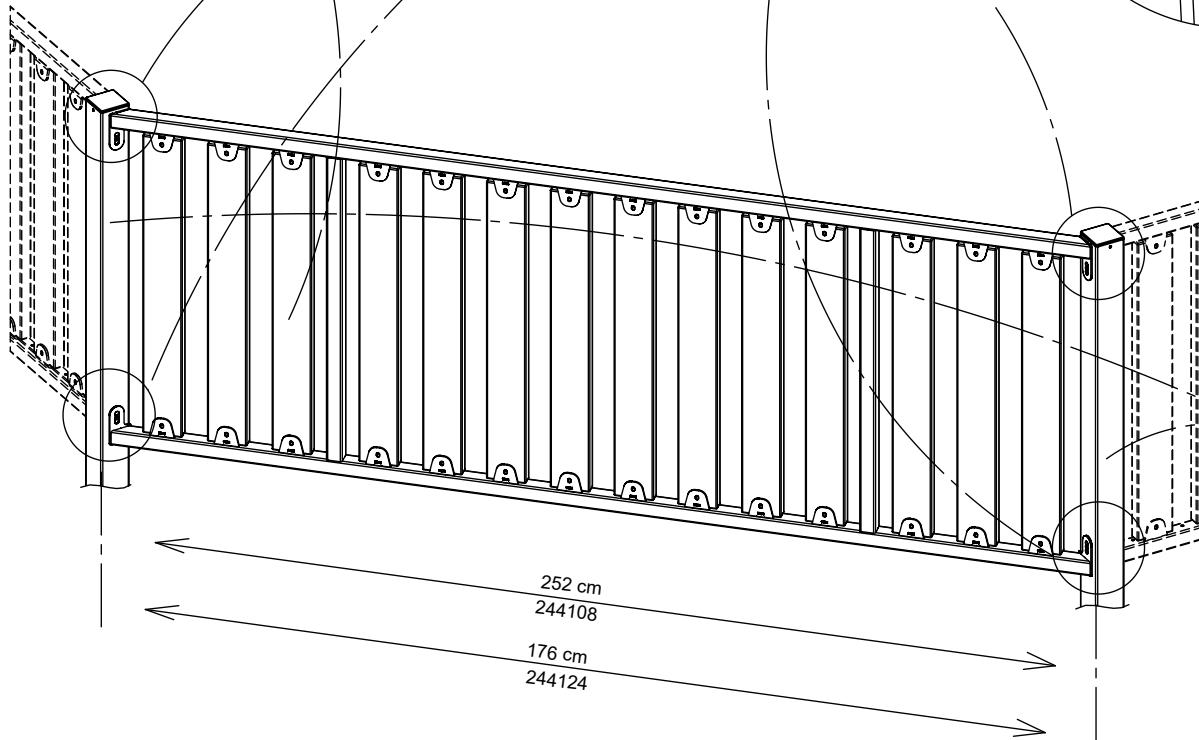
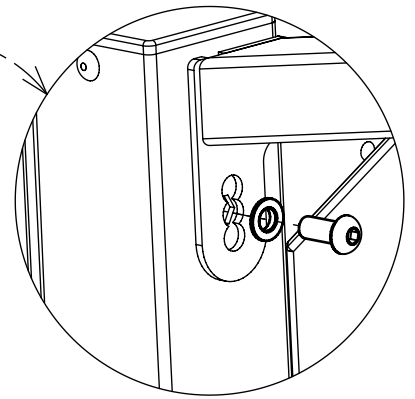
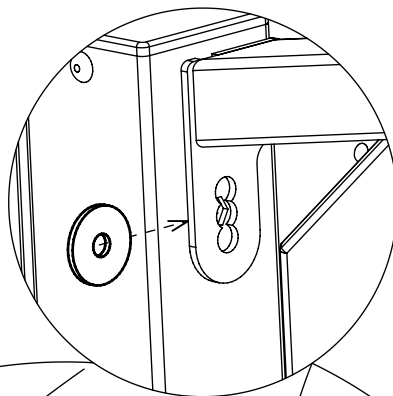
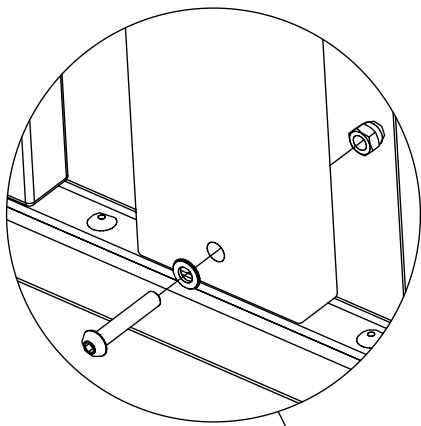
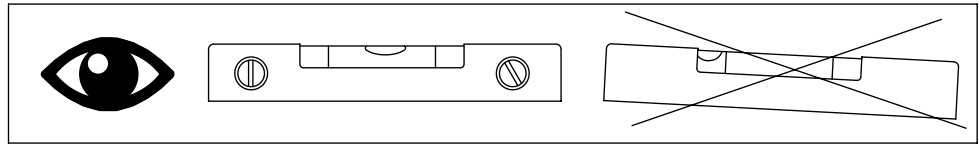
24e001



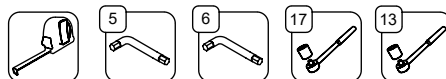
244124



244108

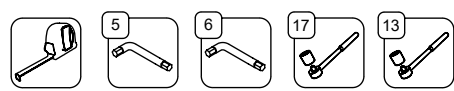
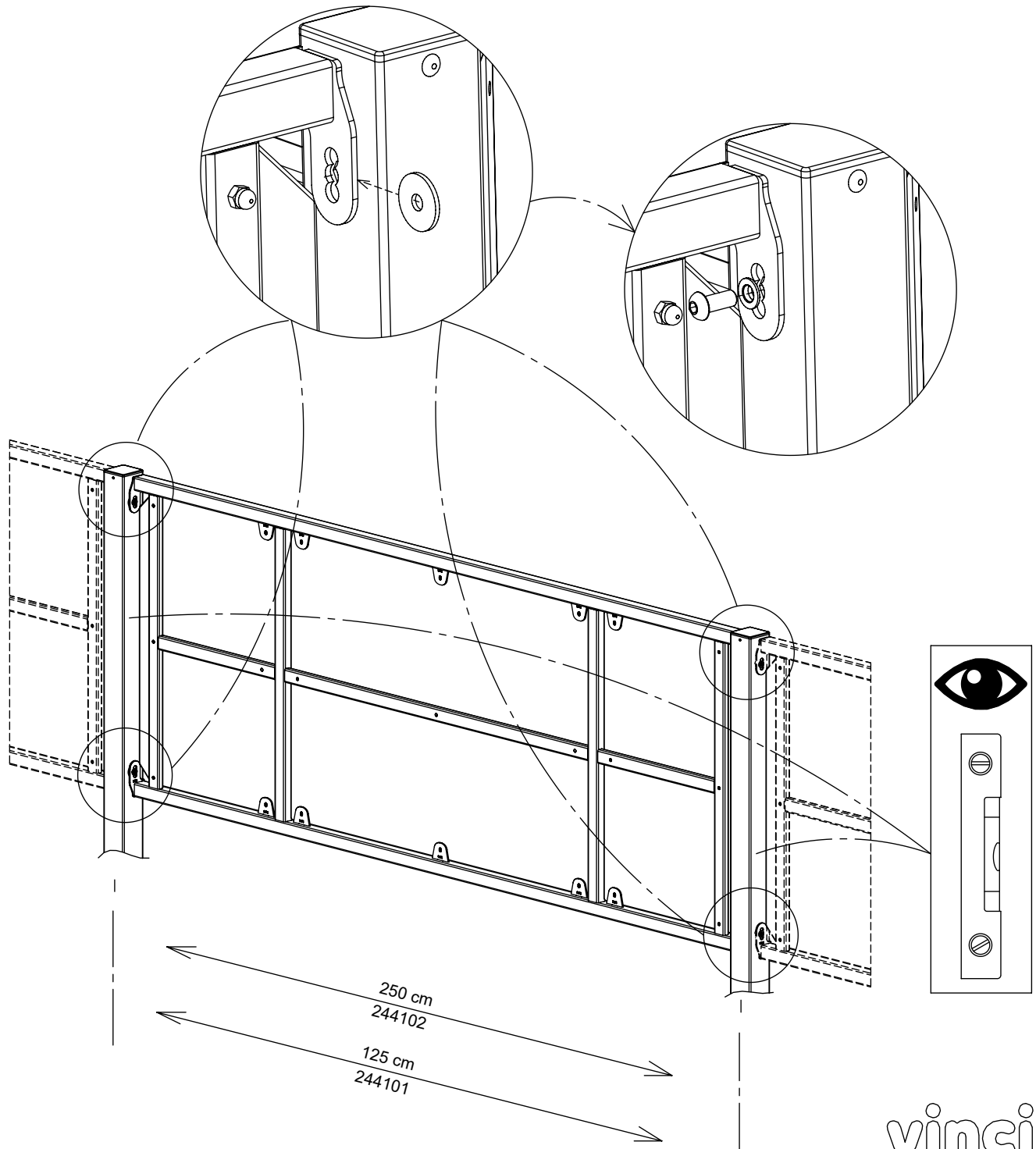
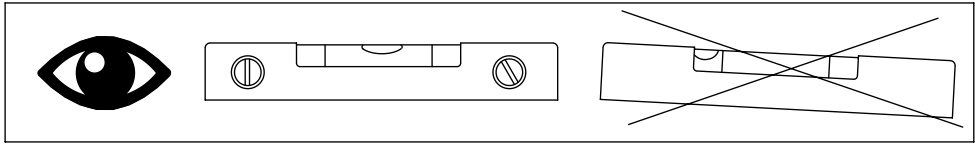
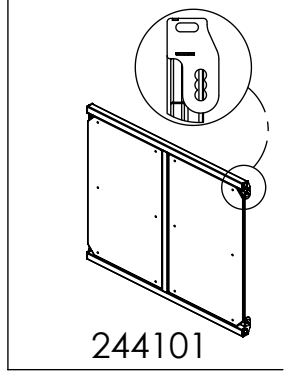
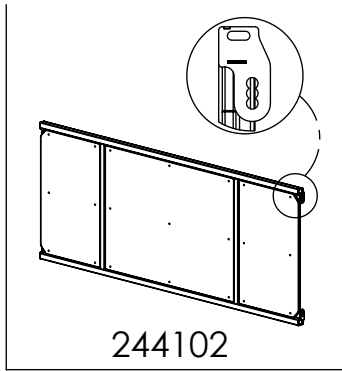


[cm]



vinci
play

240104



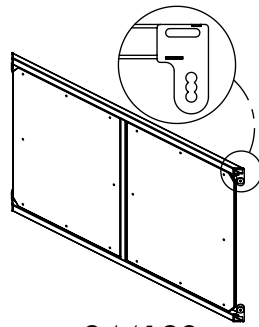
vinci play

[cm]

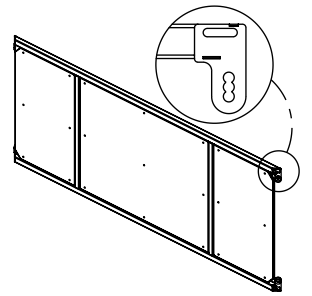
240105



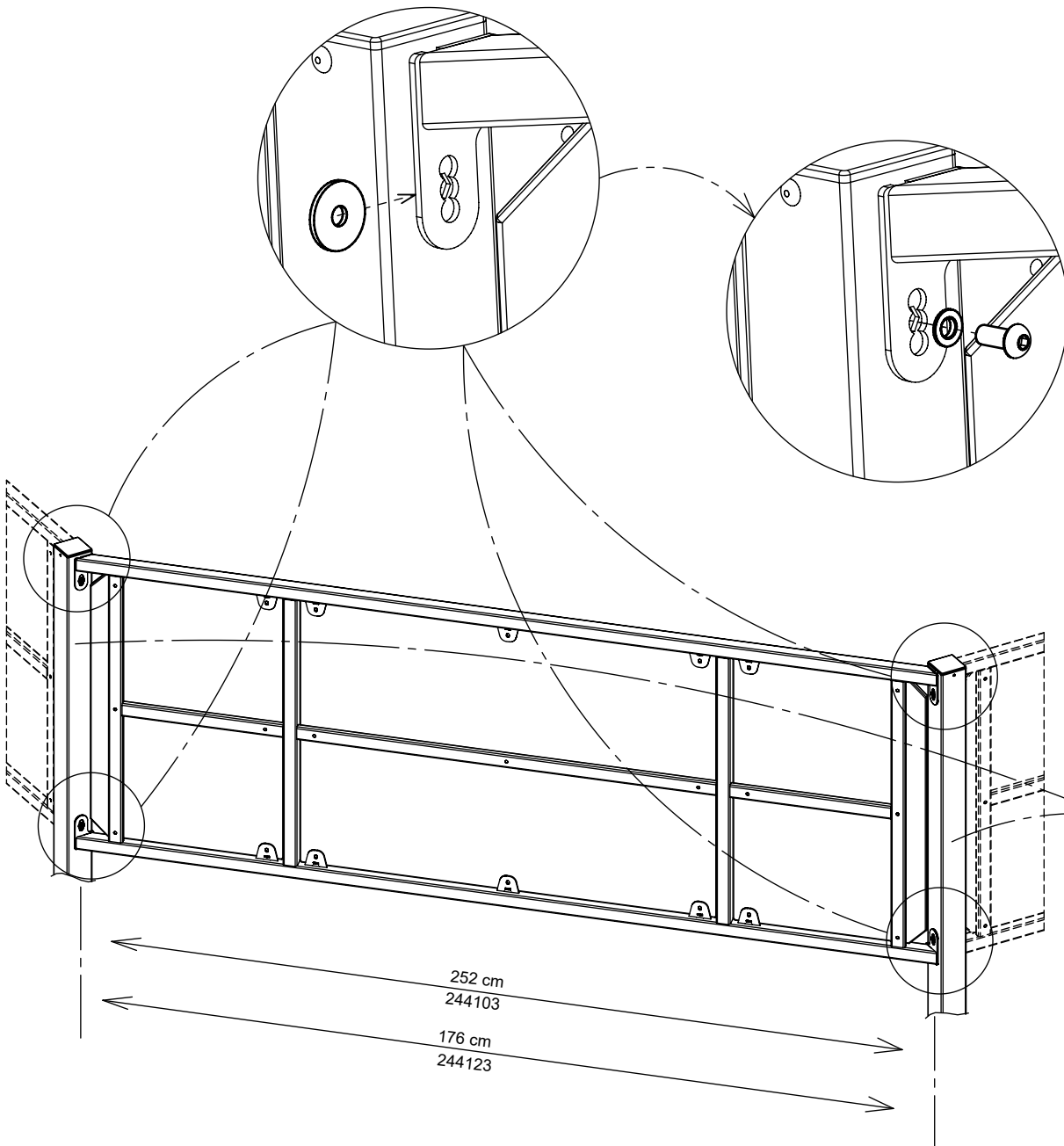
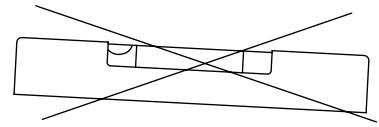
24e001



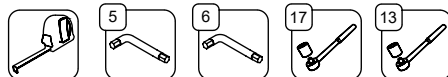
244123



244103



[cm]

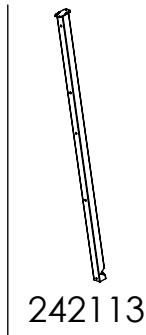


vinci
play

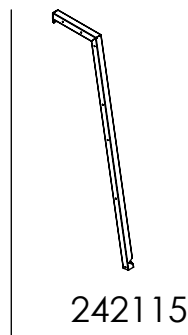
240106

20x **8x25ikl**

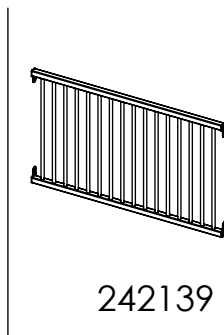
20x **8pp**



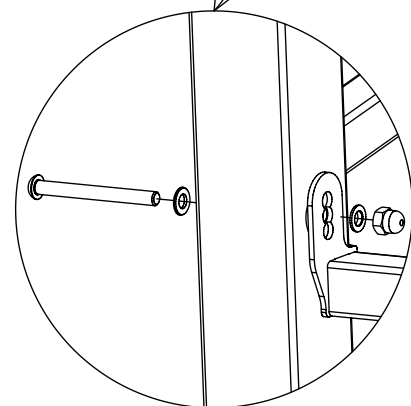
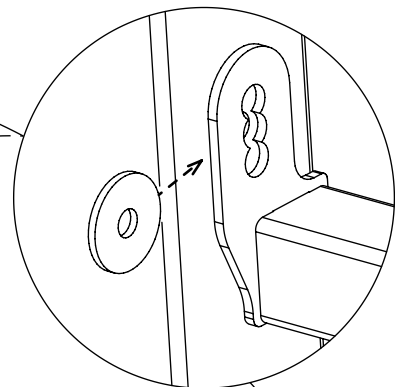
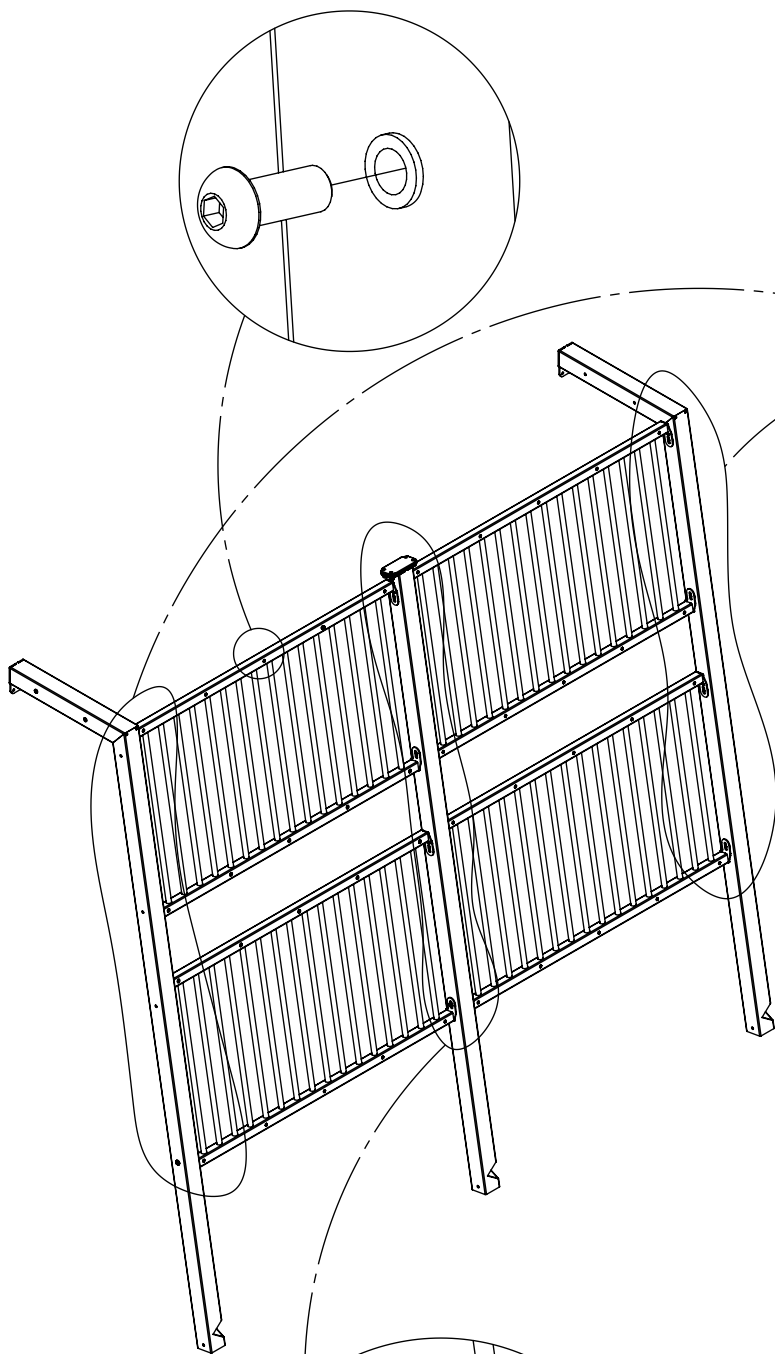
242113



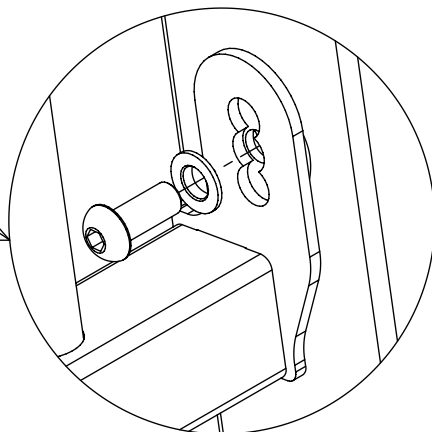
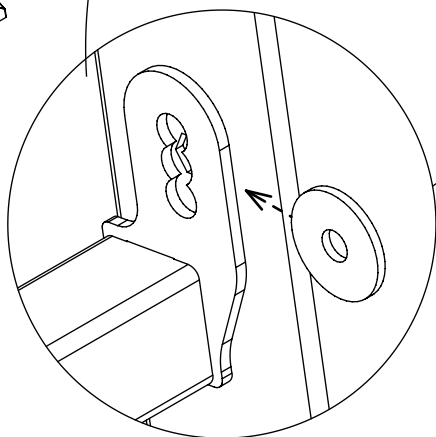
242115



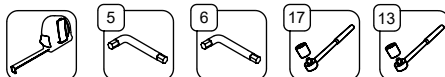
242139



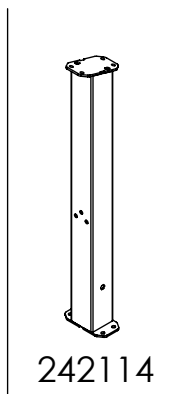
4x **24e007**



[cm]



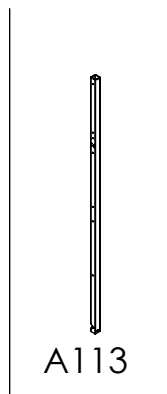
vinci
play



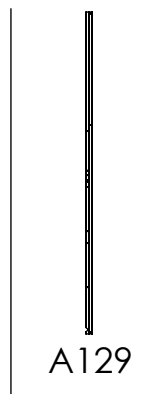
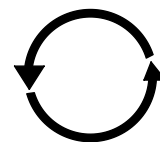
242114



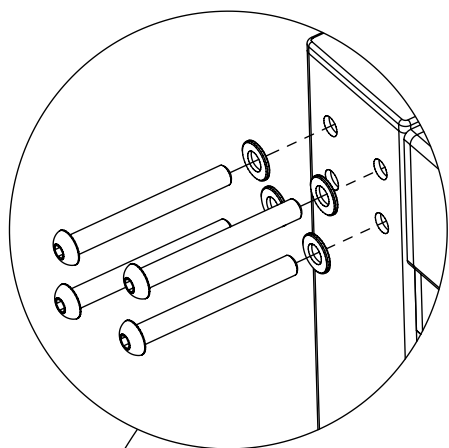
242112



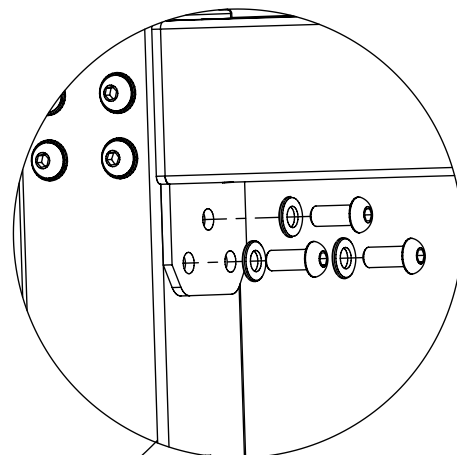
A113



A129

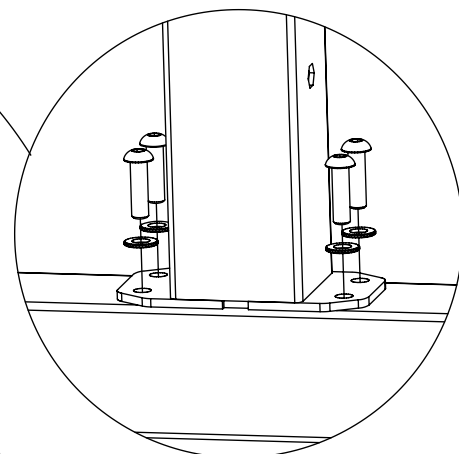
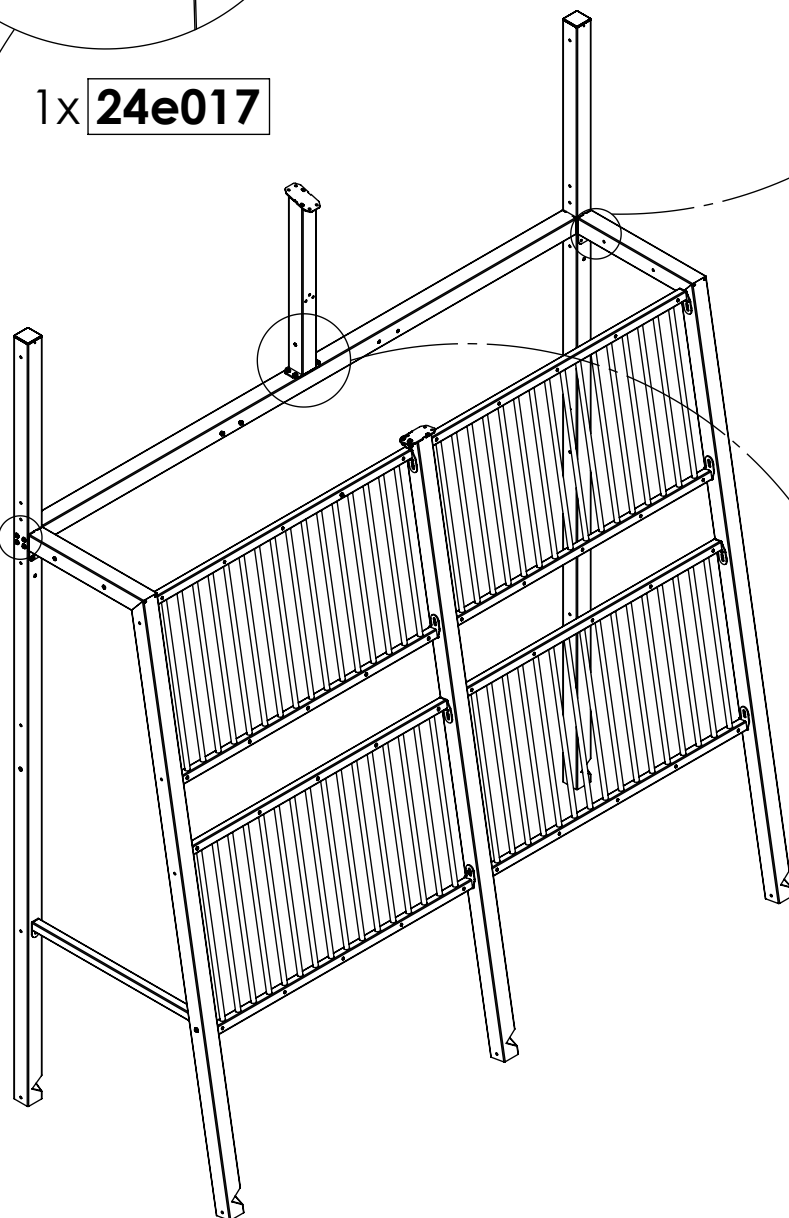


1x **24e017**



6x **10x25ikl**

6x **10pp**

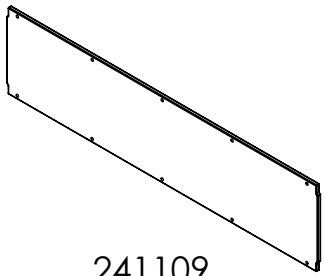


4x **10x25**

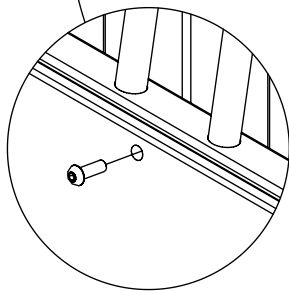
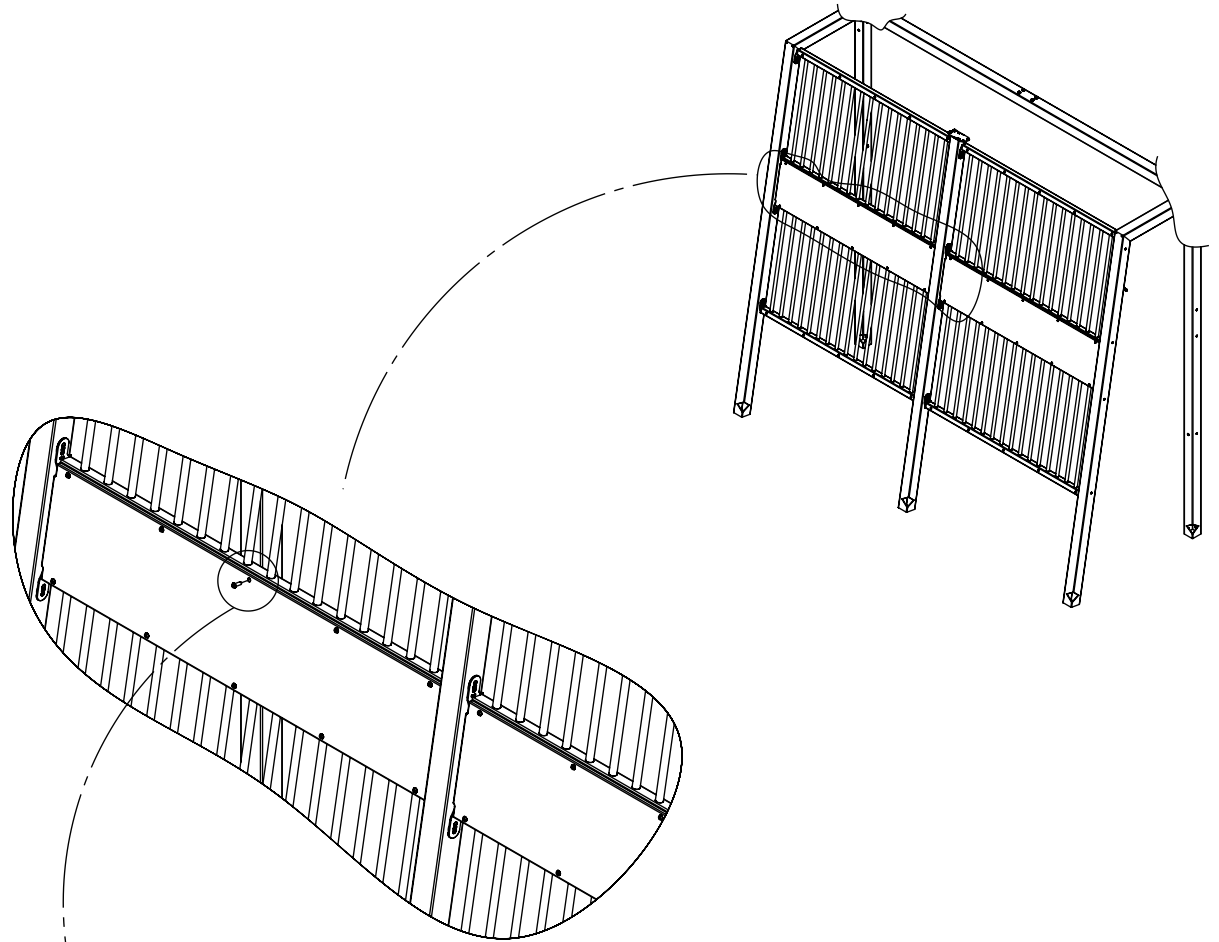
4x **10pp**

[cm]

vinci
play



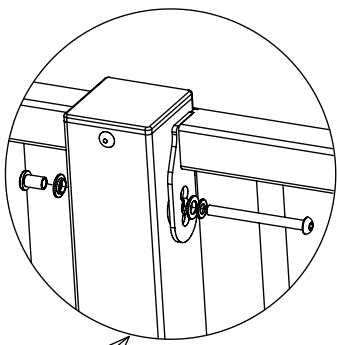
241109



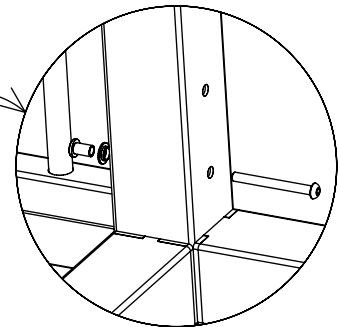
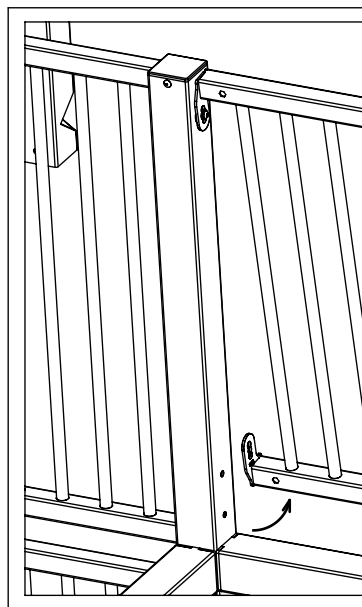
20x **8x30ikl**

[cm]

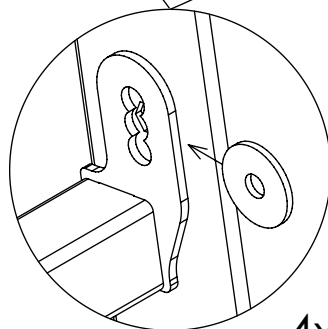
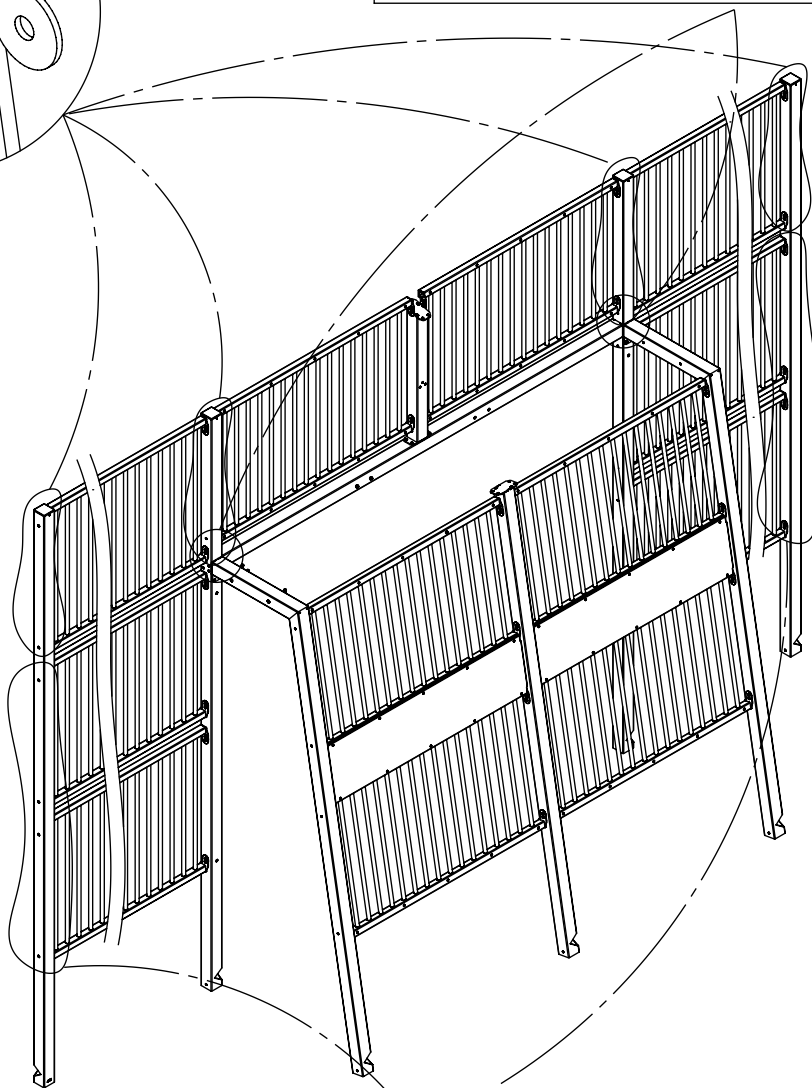
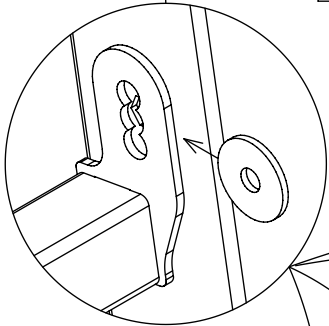
vinci
play



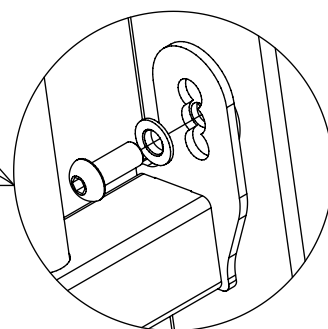
2x **24e023**



24e023

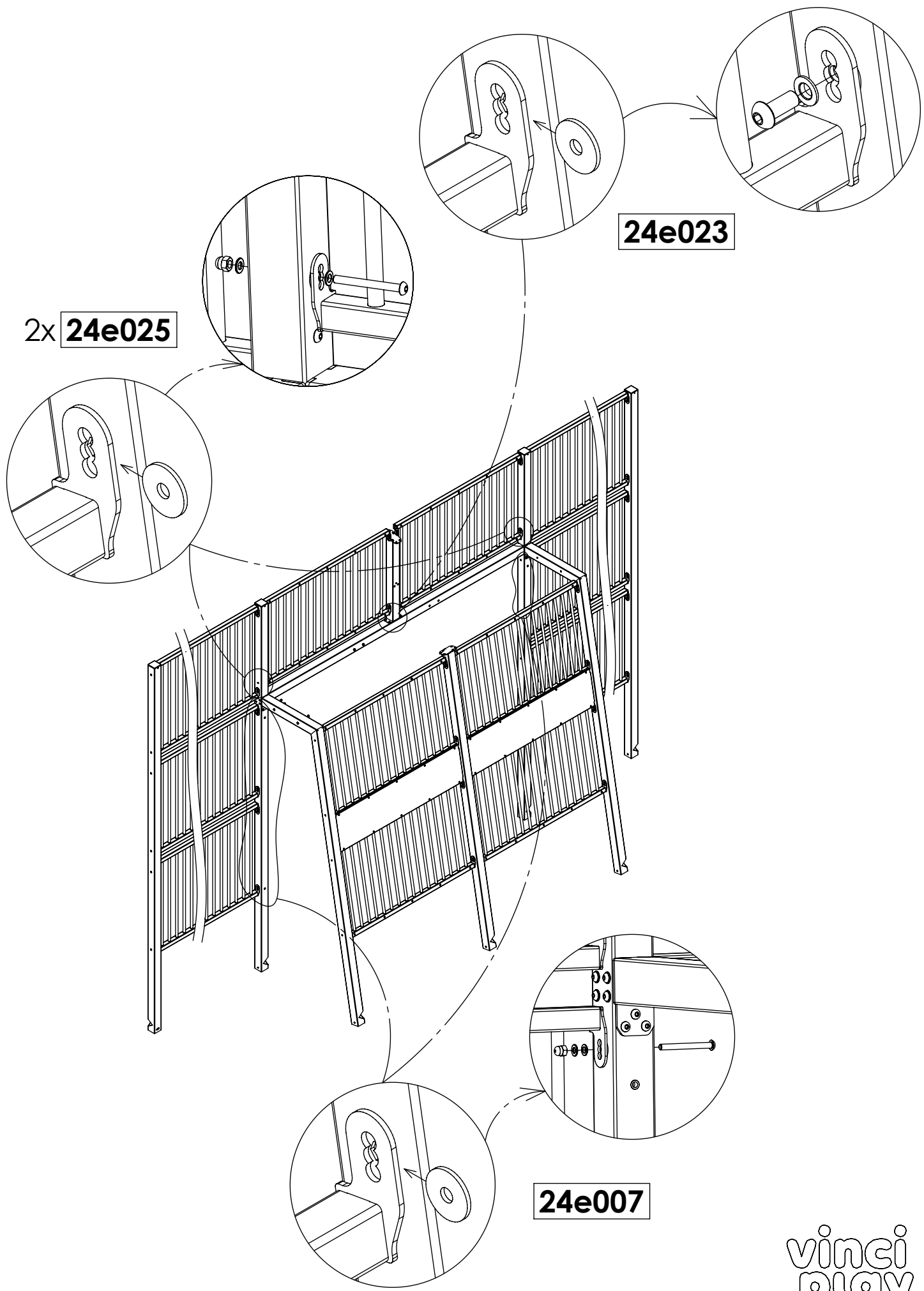


4x **24e007**



[cm]

vinci
play



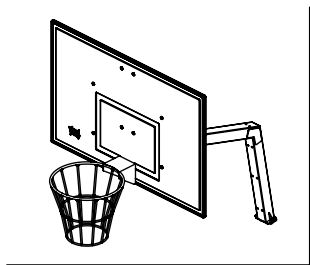
24e023

2x 24e025

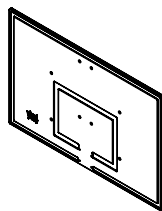
24e007

[cm]

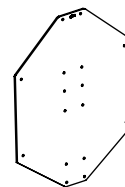
vinci
play



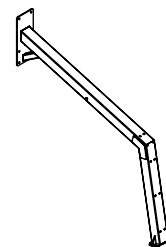
206100



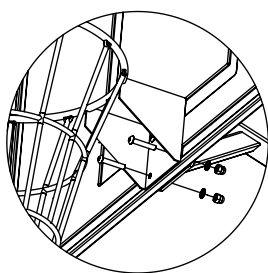
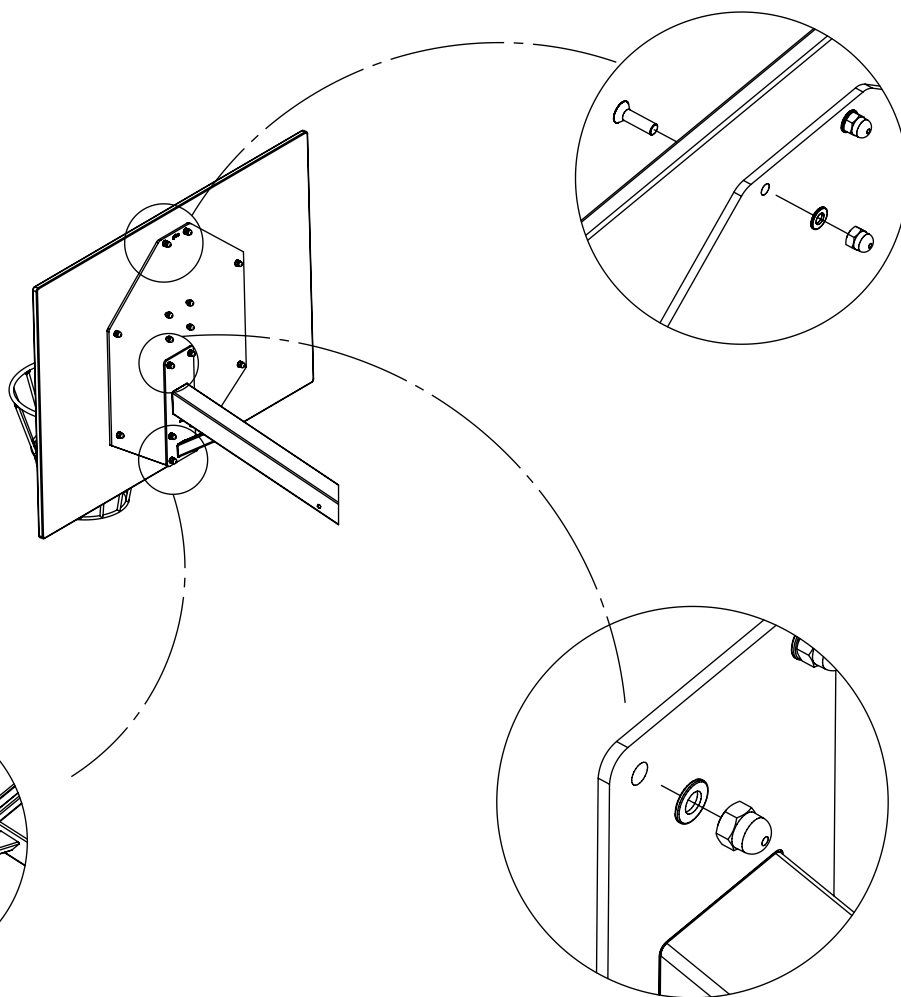
241104



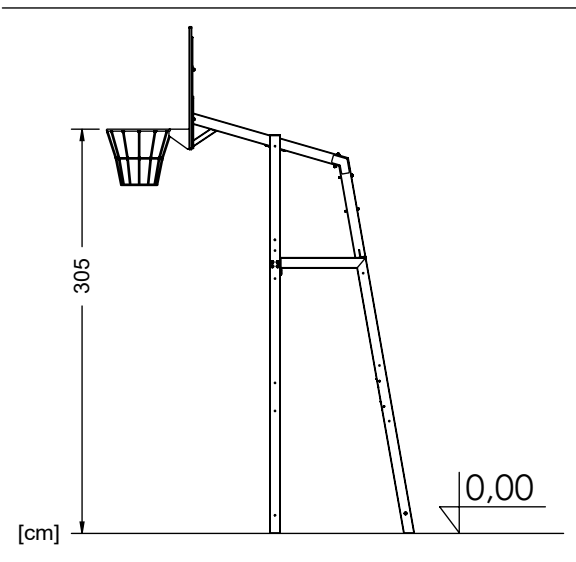
b799



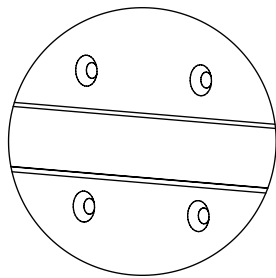
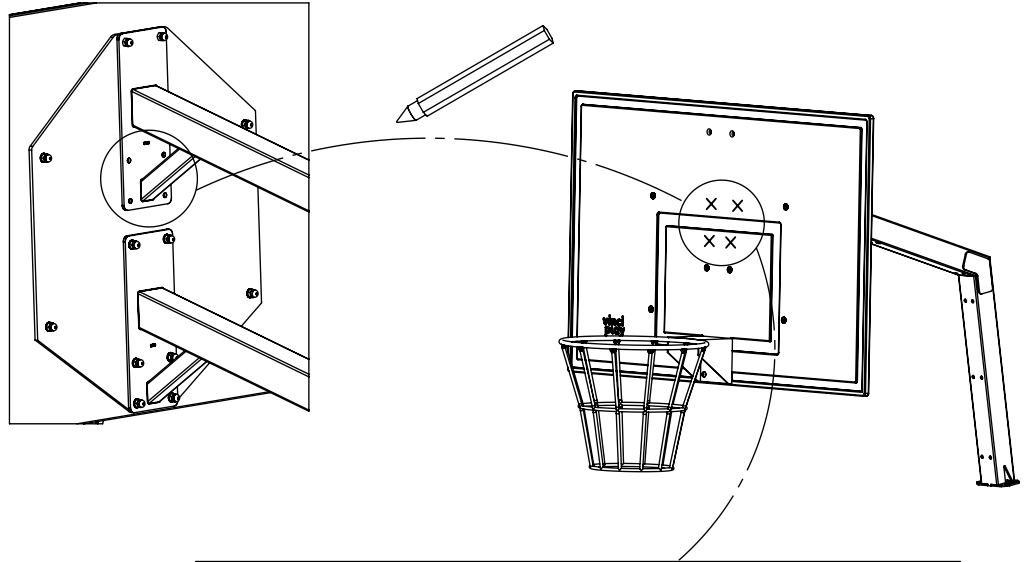
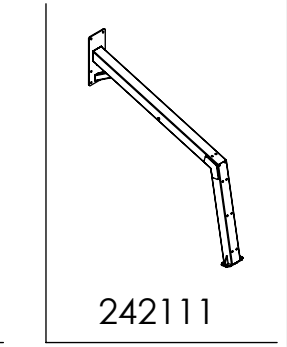
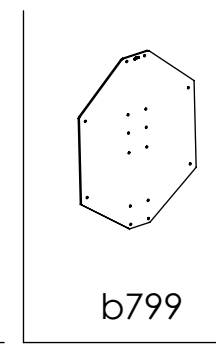
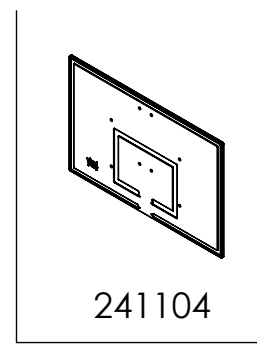
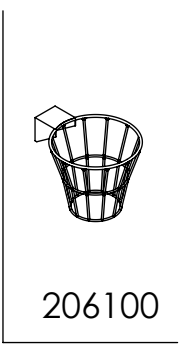
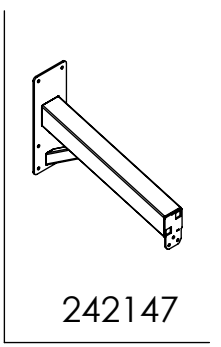
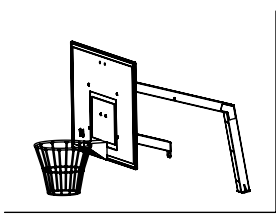
242111



1x **24e012**



vinci
play

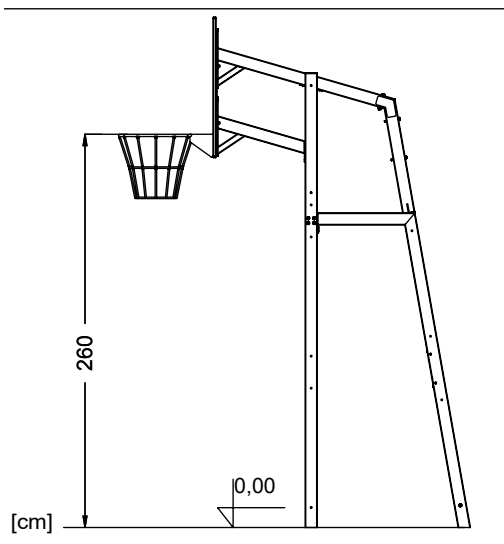


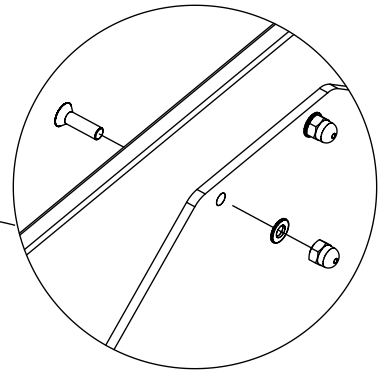
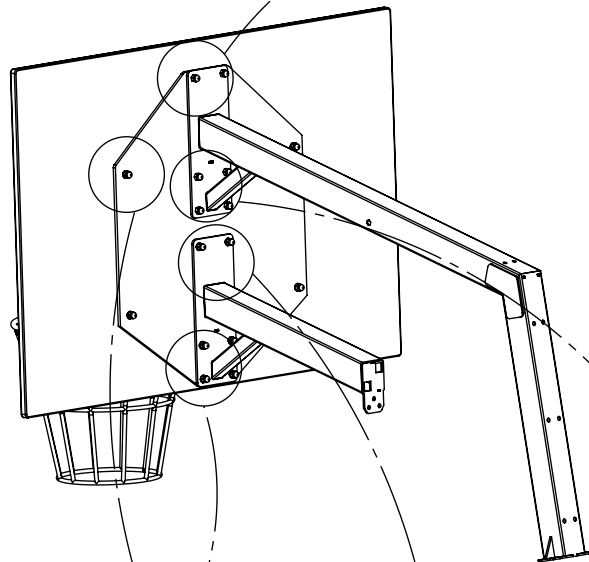
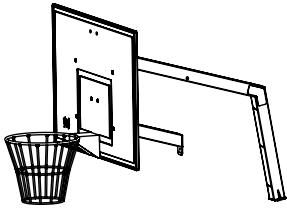
1x **24e013**

Ø 11 mm

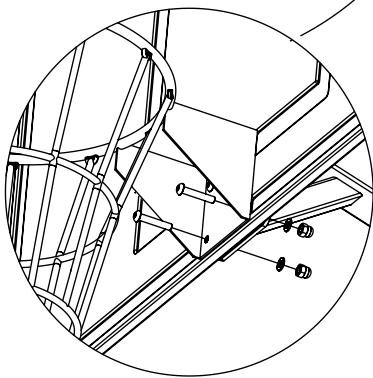
Ø11

NOT INCLUDED

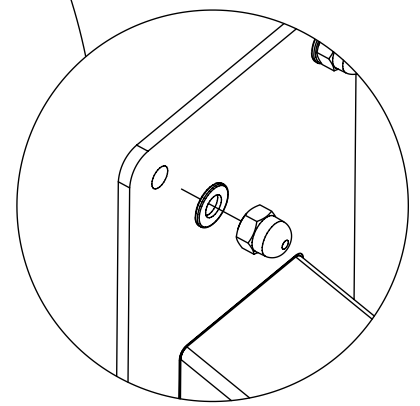




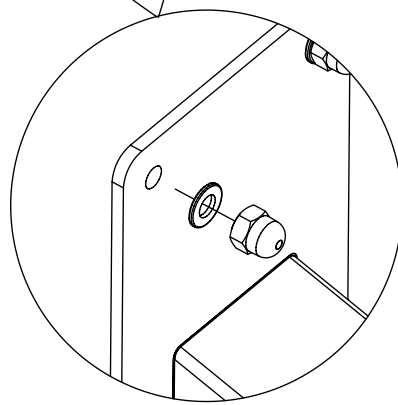
24e013



24e012



24e013

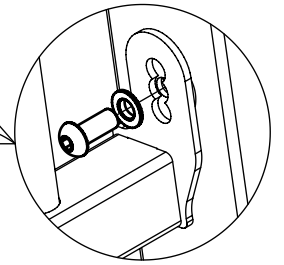
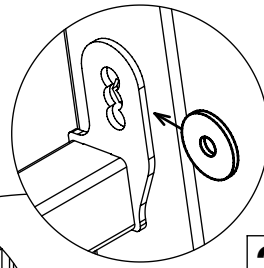


24e012

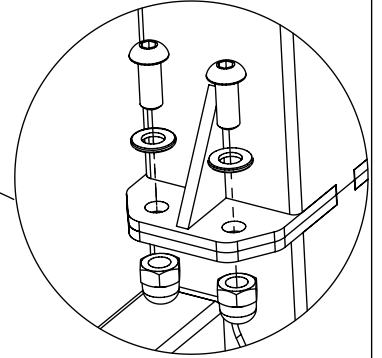
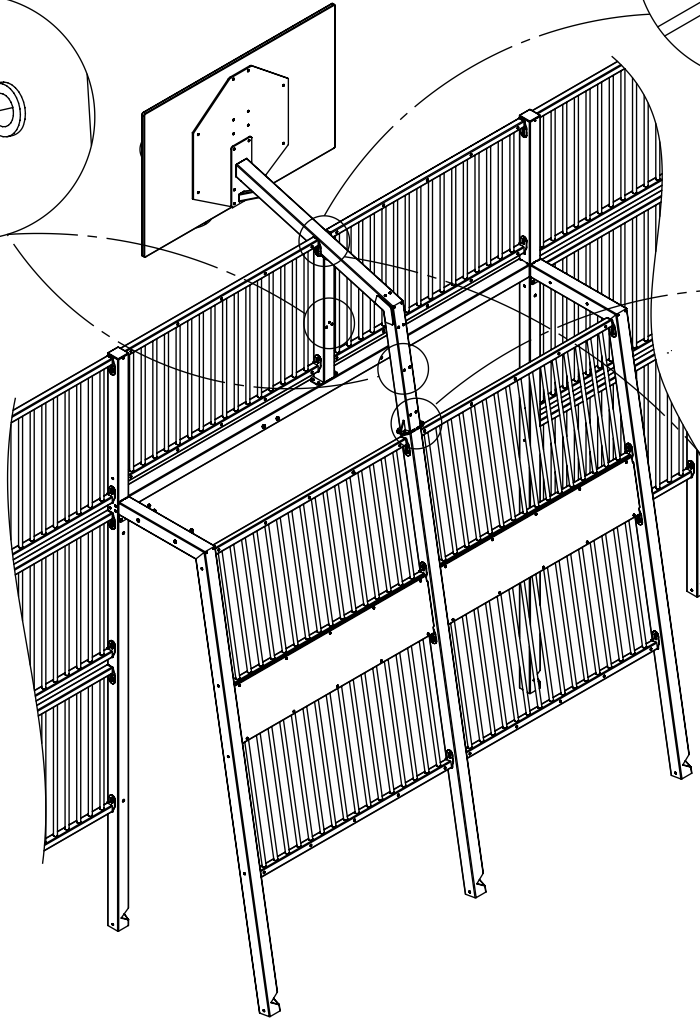
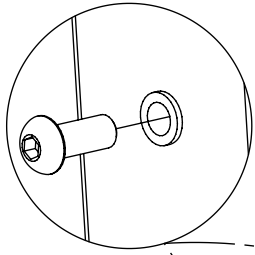
[cm]

vinci
play

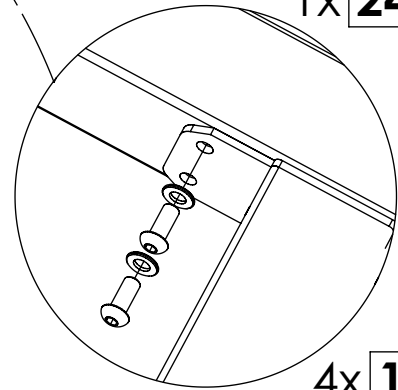
1x **24e014**



24e007

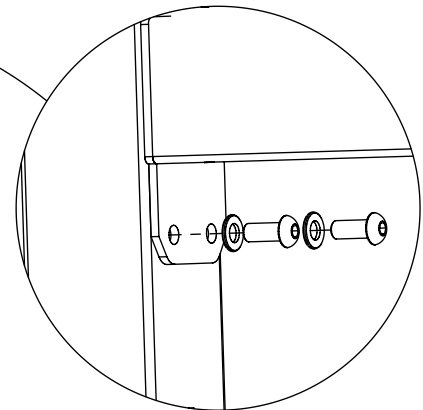
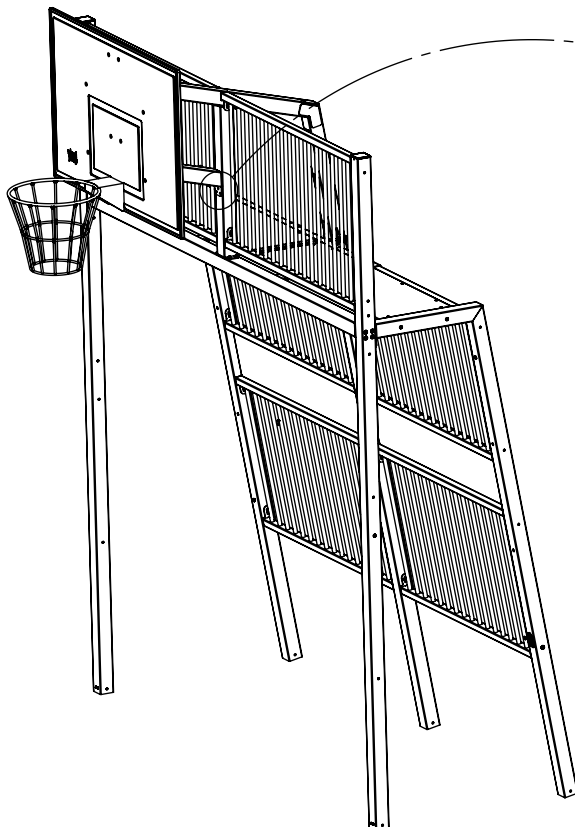


1x **24e018**



4x **10pp**

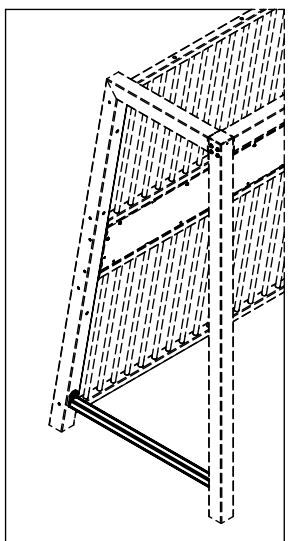
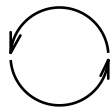
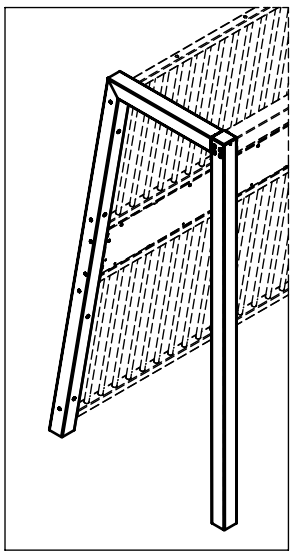
4x **10x25ikl**



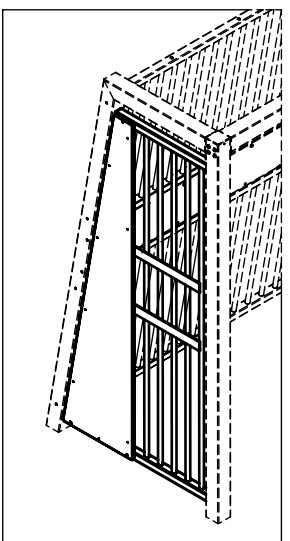
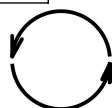
24e013

[cm]

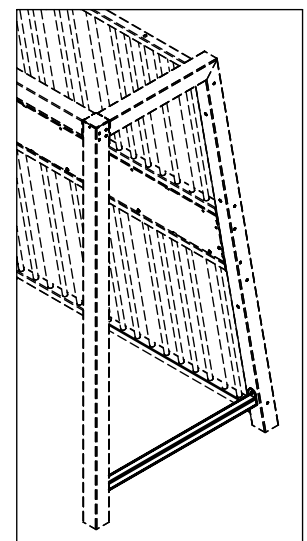
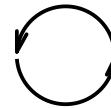
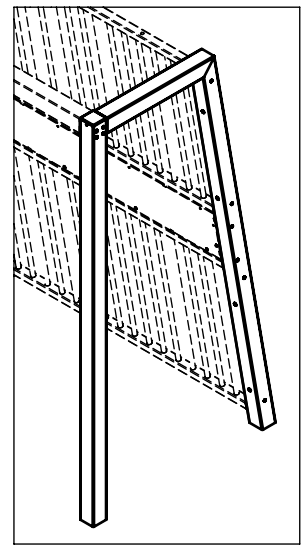
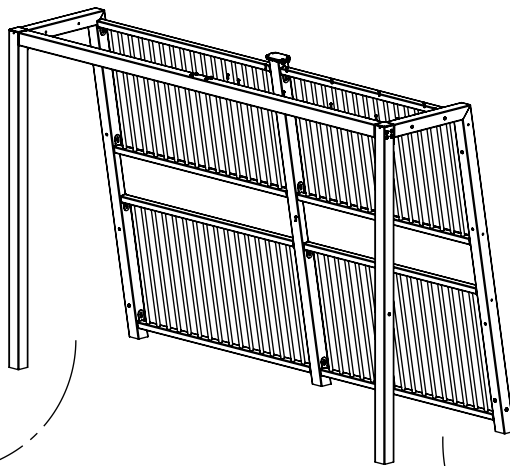
vinci
play



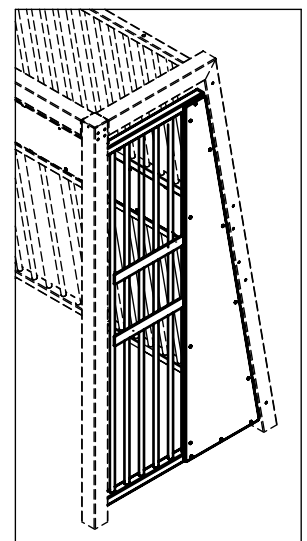
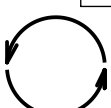
242123



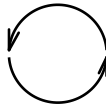
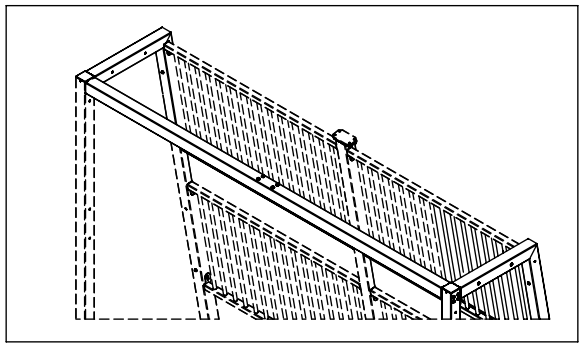
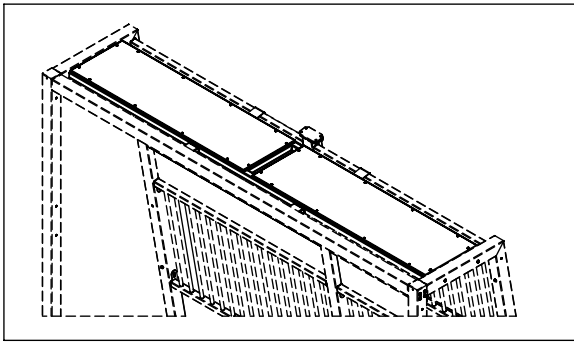
244126



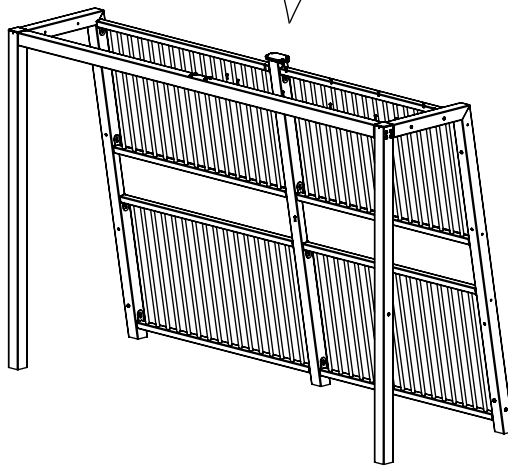
242123



244125

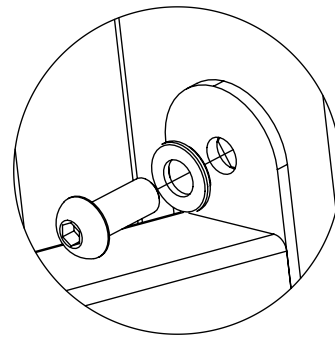
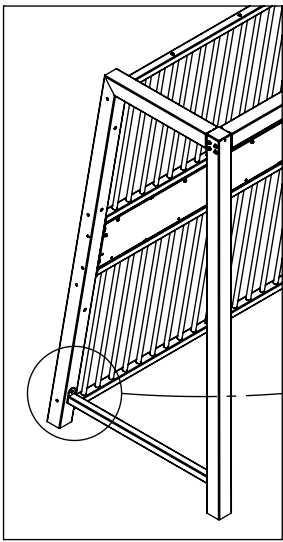


244129



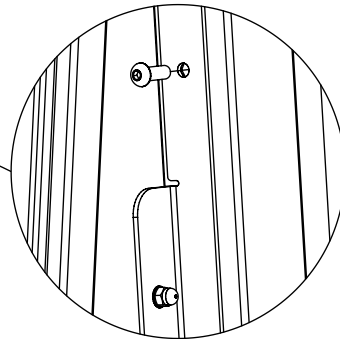
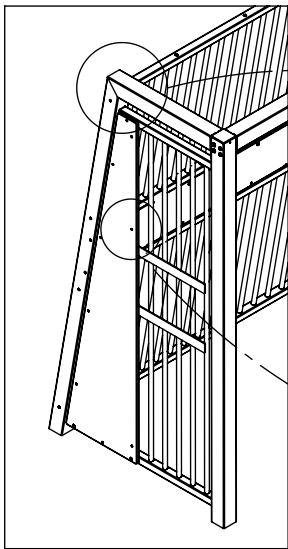
[cm]

vinci
play

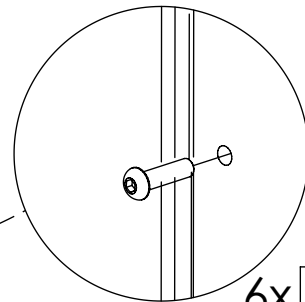


6x **10x25ikl**

6x **10pp**

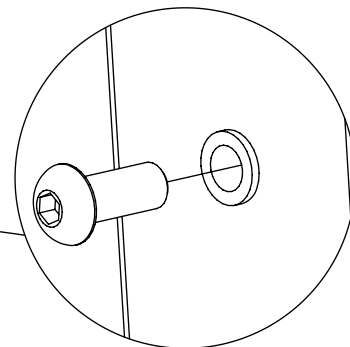
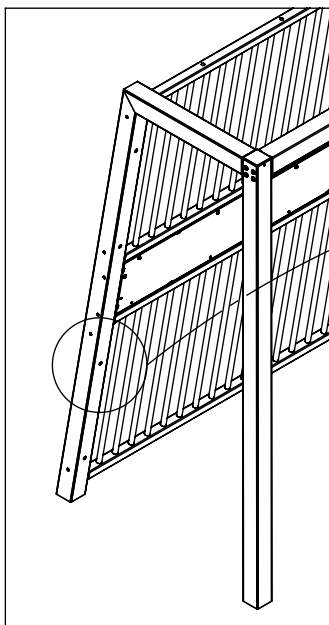


1x **24e011**



6x **10x25ikl**

6x **10pp**

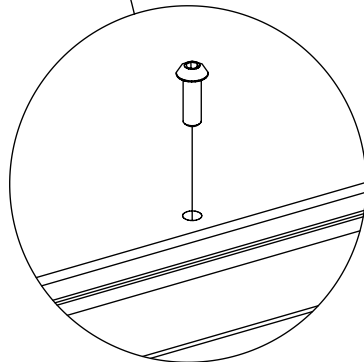
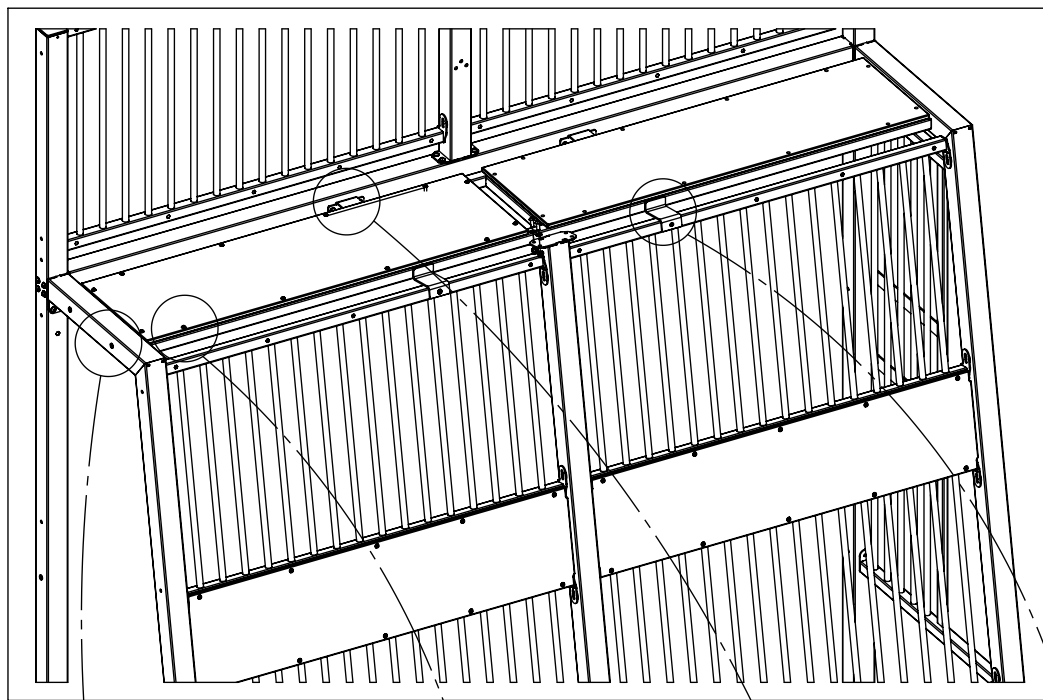


6x **10x25ikl**

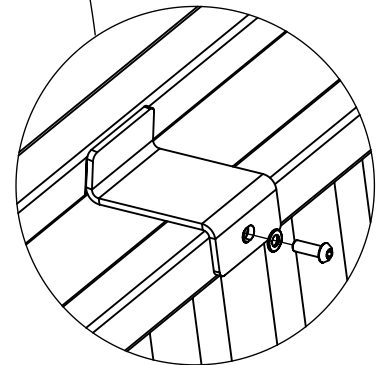
6x **10pp**

[cm]

vinci
play

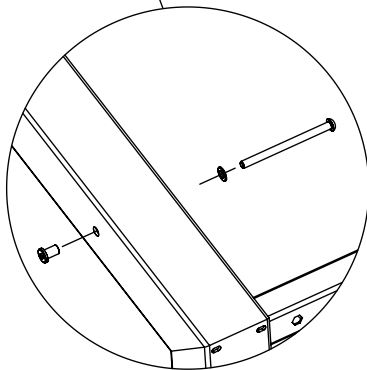


1x **24e029**

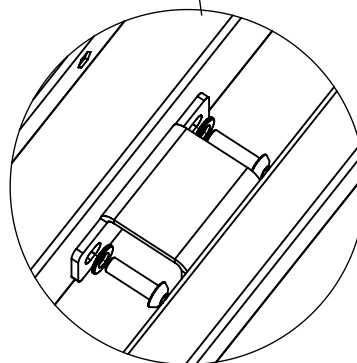


8x25ikl

8pp



24e029



24e029