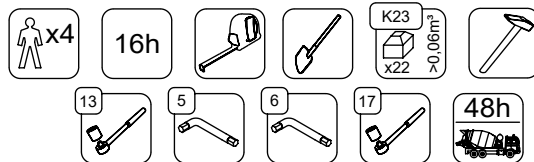
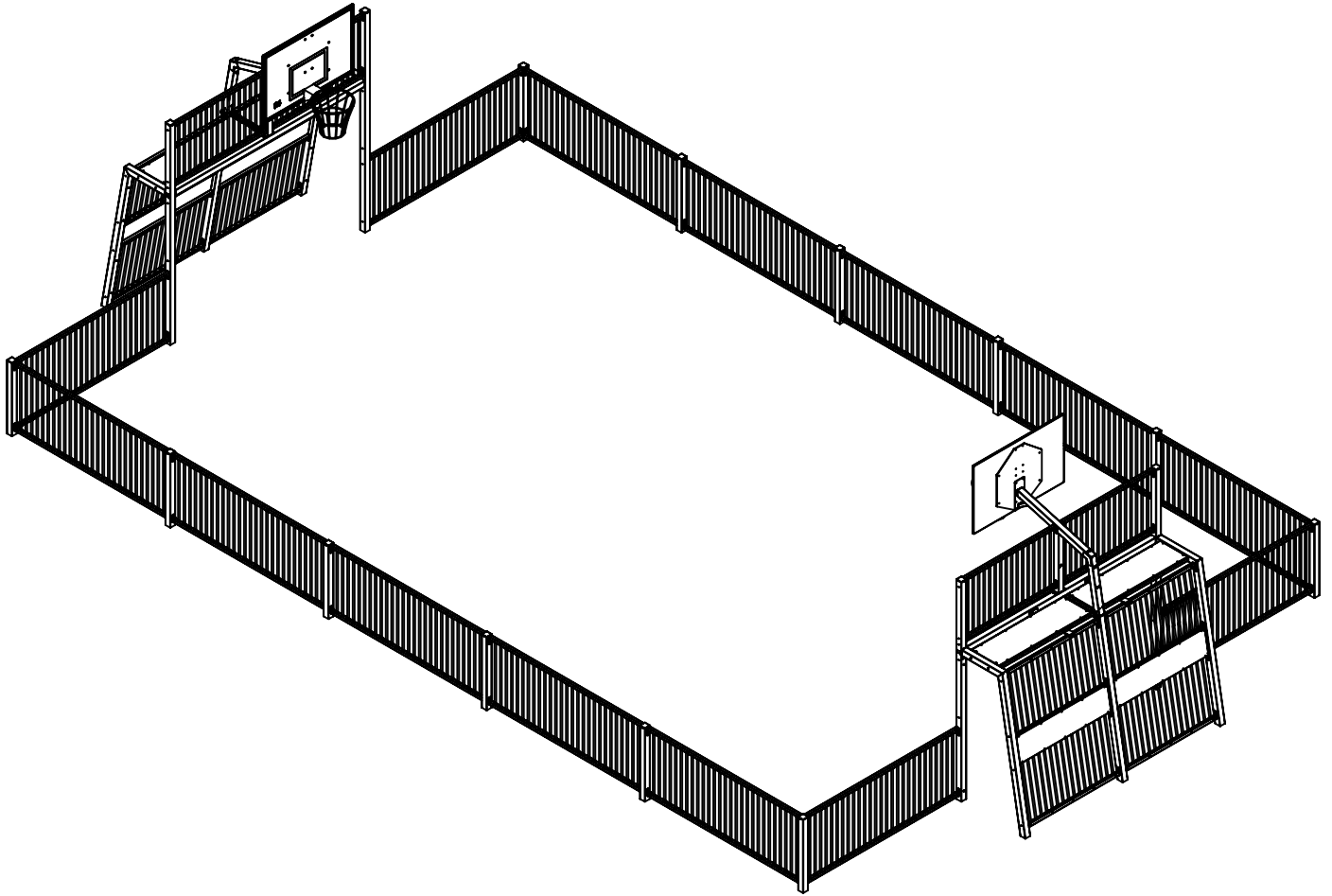
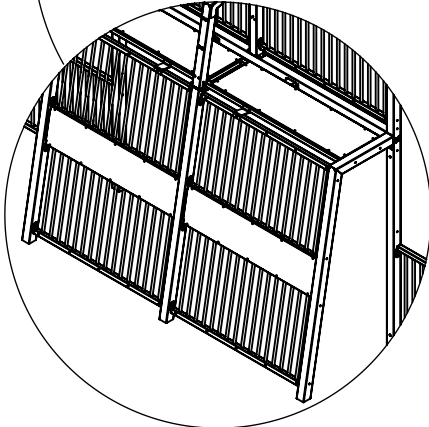
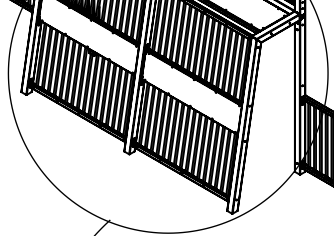
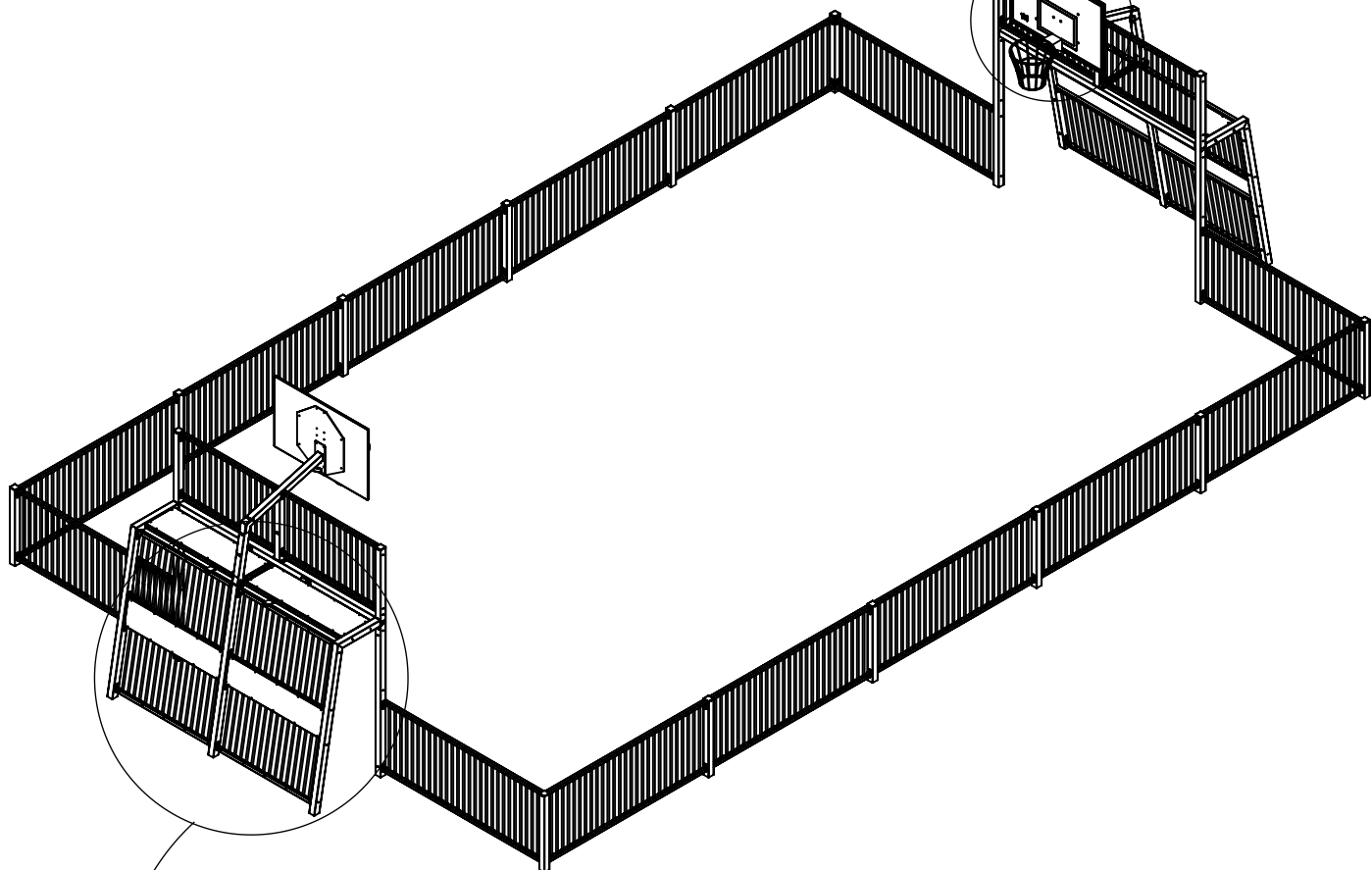
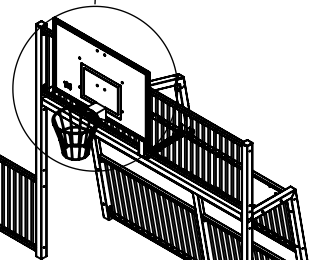
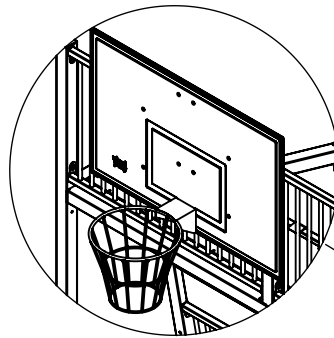


241308-002



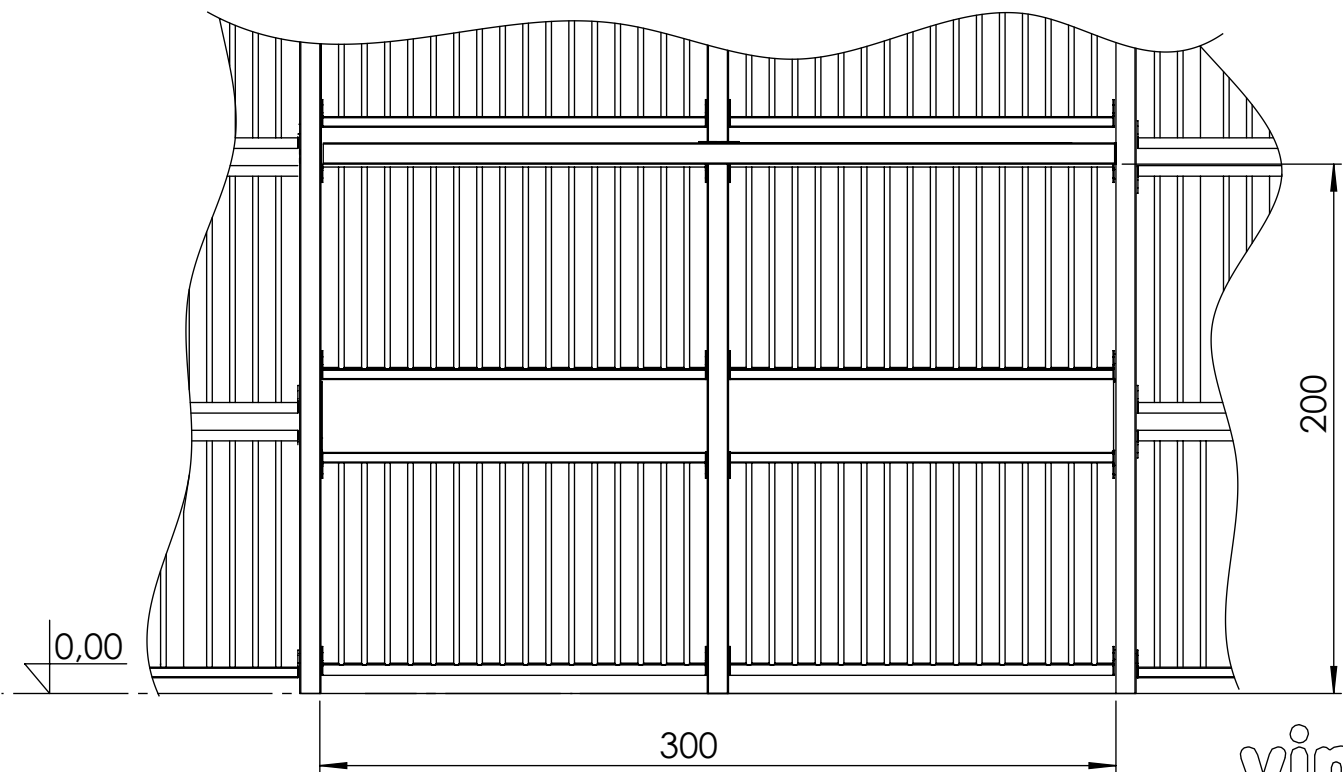
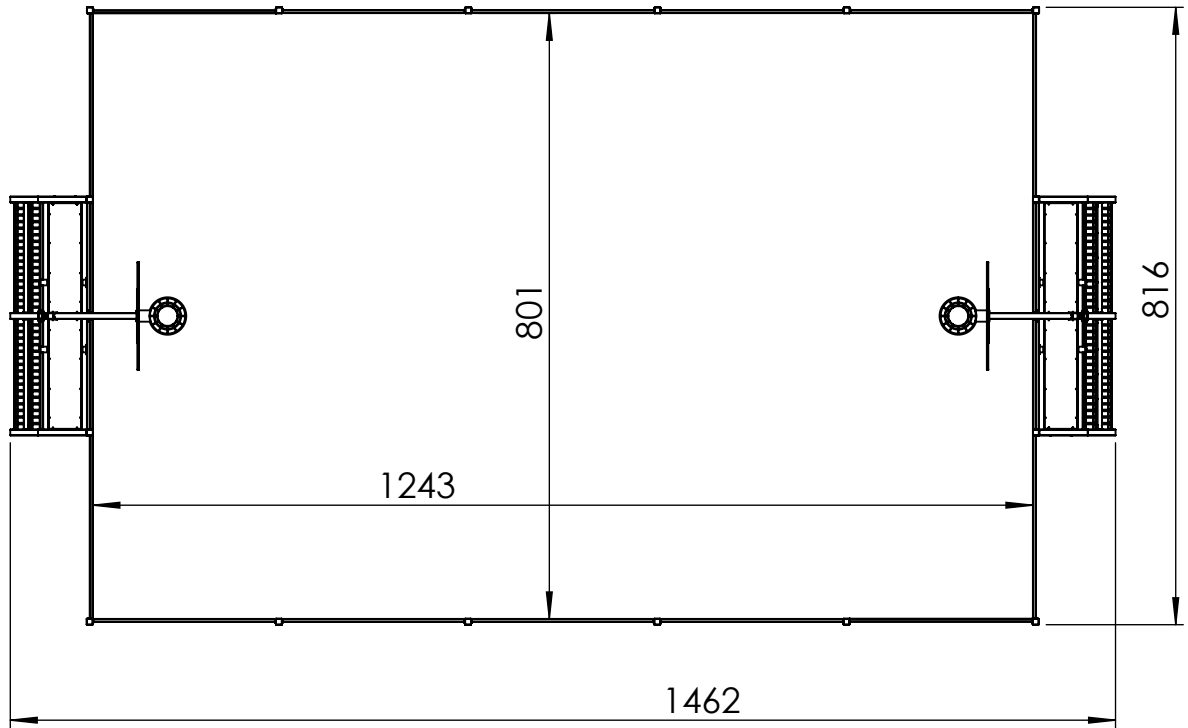
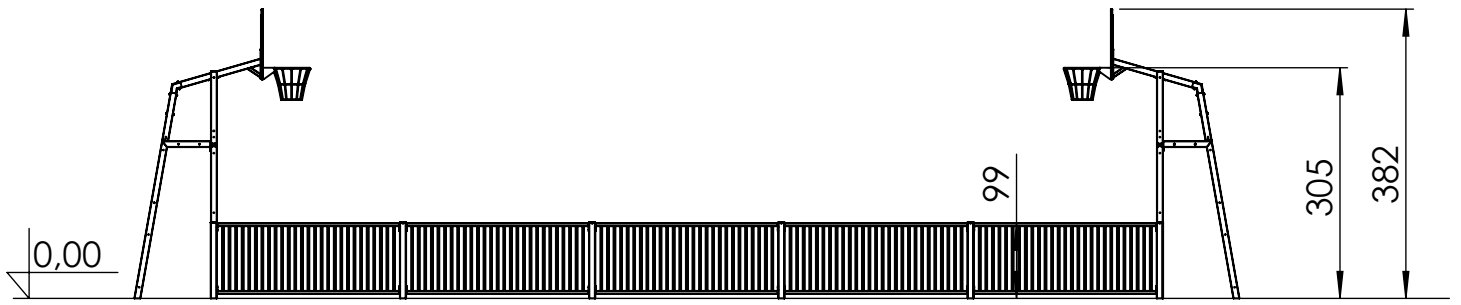
v010
26.10.2023
I.A.
[cm]

vinci
play



[cm]

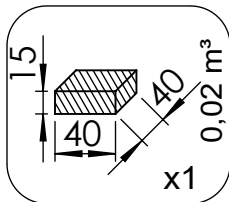
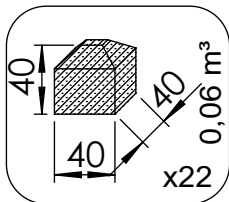
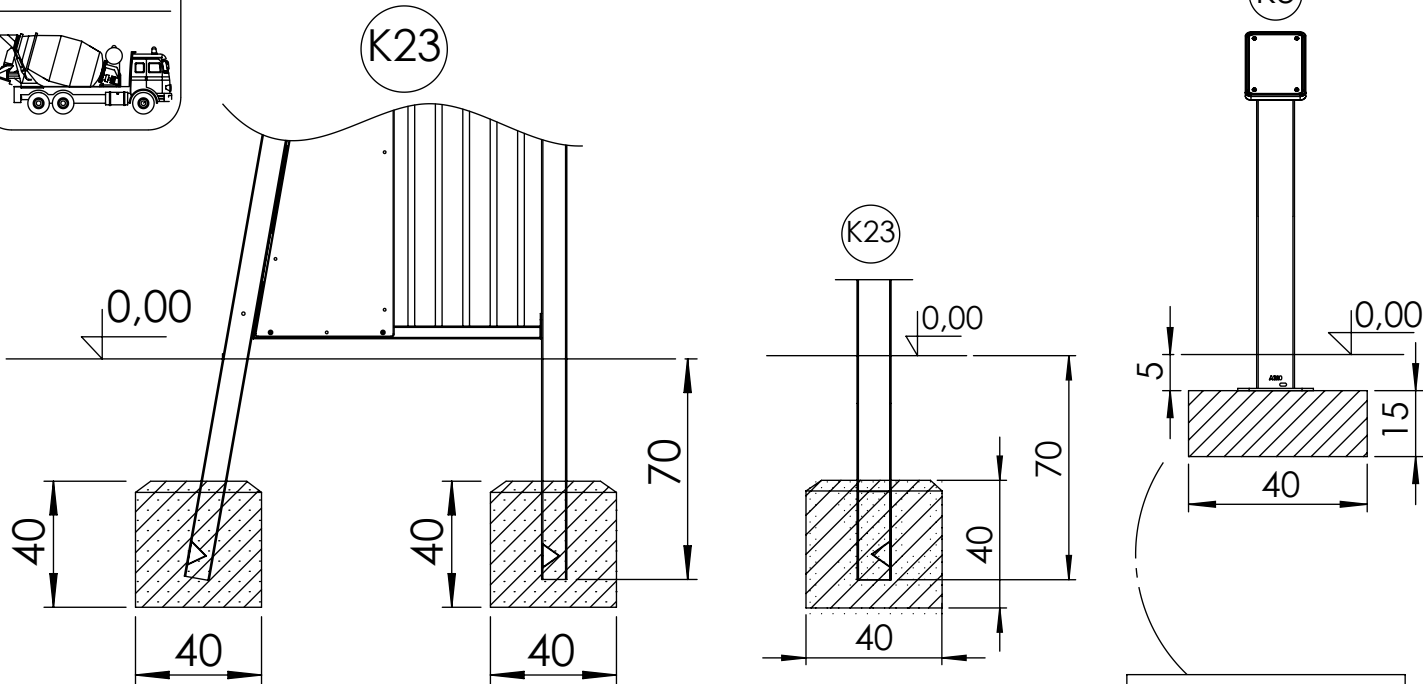
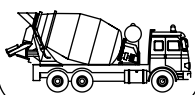
vinci
play



[cm]

vinci
play

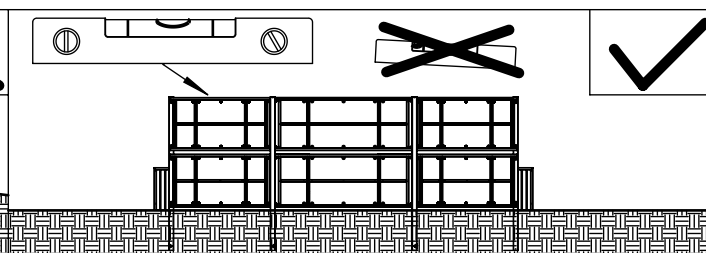
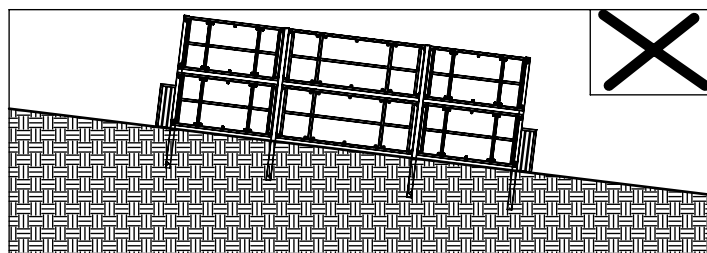
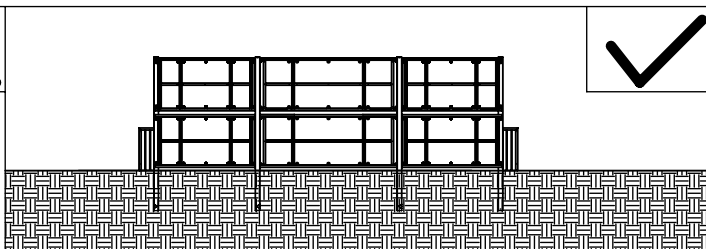
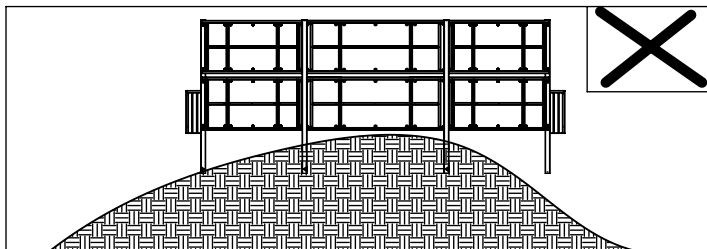
48h



4x M10x120 (K3)

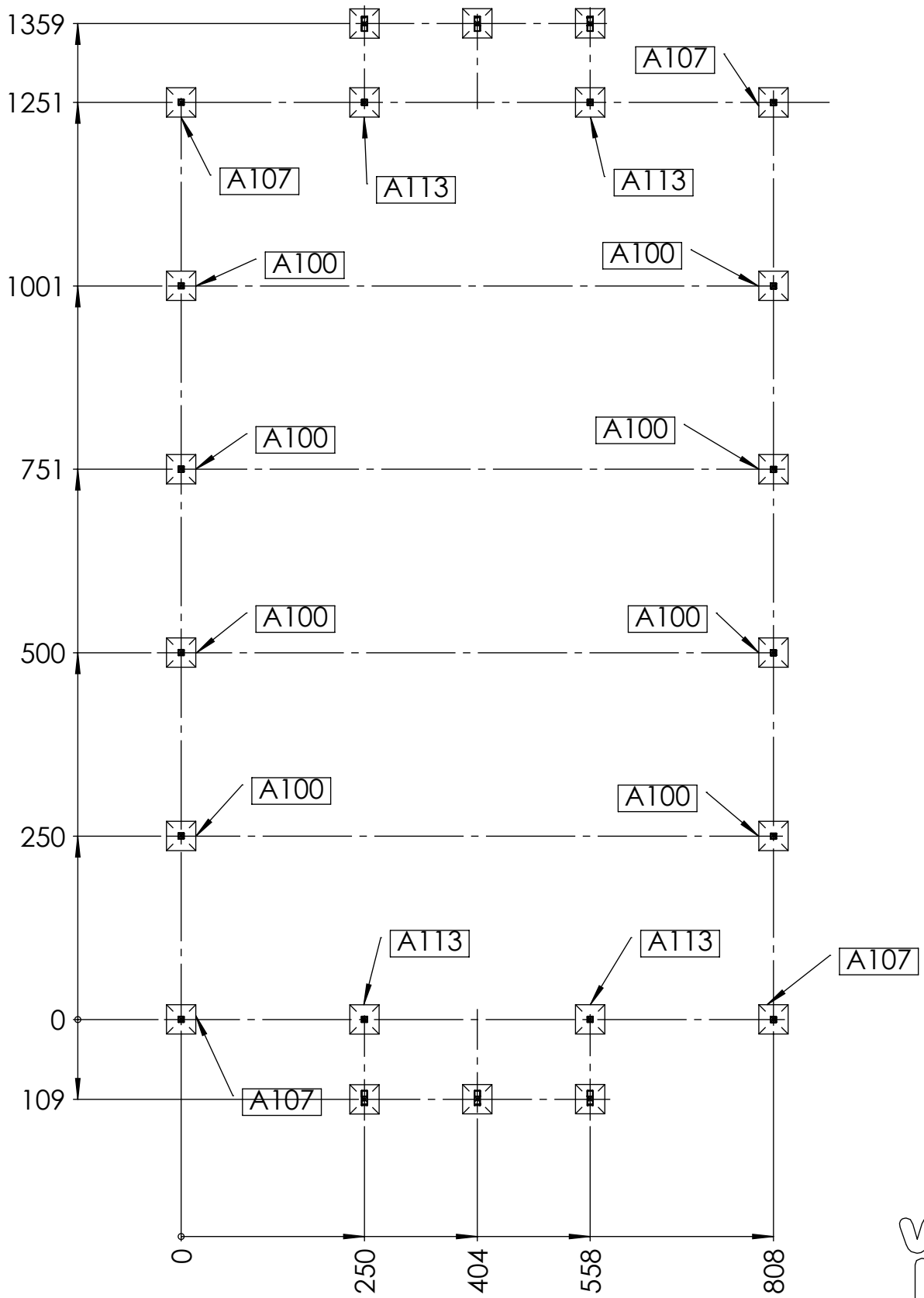
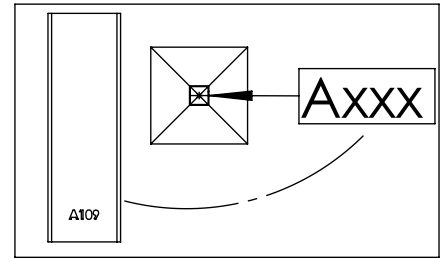
Ø10

NOT INCLUDED



[cm]

vinci play



[cm]

vinci
play



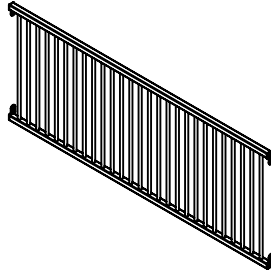
A113
x4



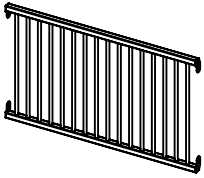
A107
x4



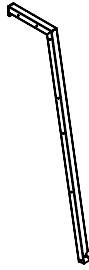
A100
x8



242100
x14



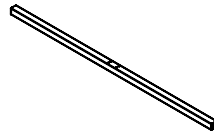
242139
x12



242115
x4



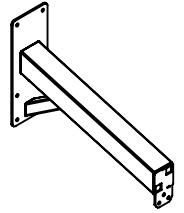
242113
x2



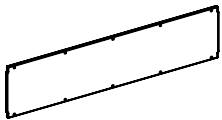
242112
x2



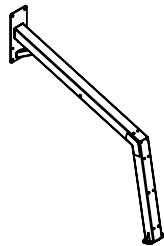
242114
x2



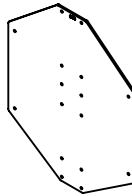
242147
x2



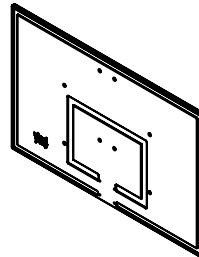
241109
x4



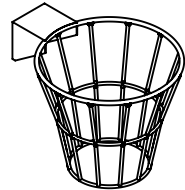
242111
x2



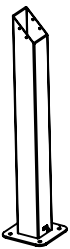
b799
x2



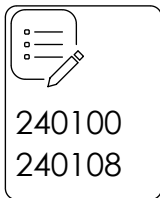
241104
x2



206100
x2



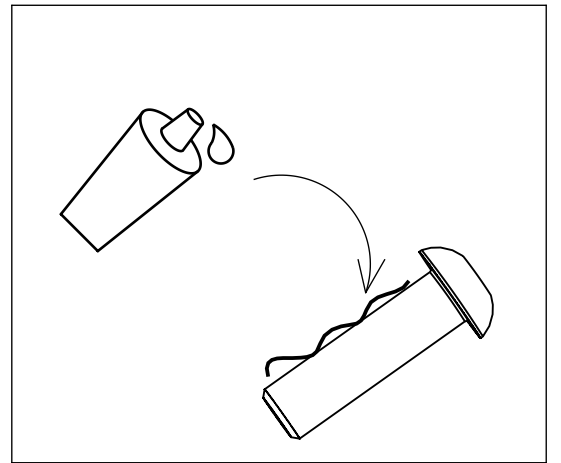
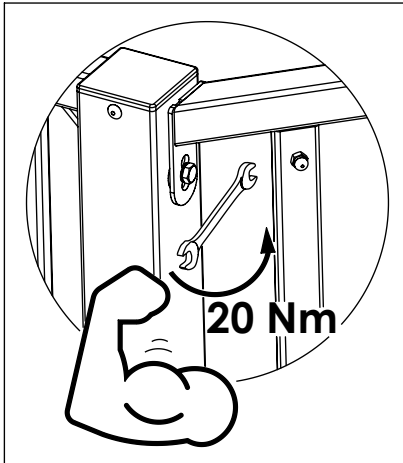
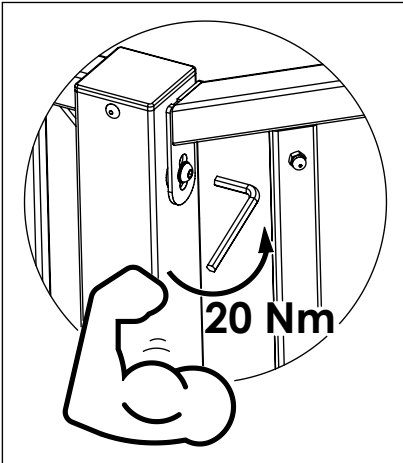
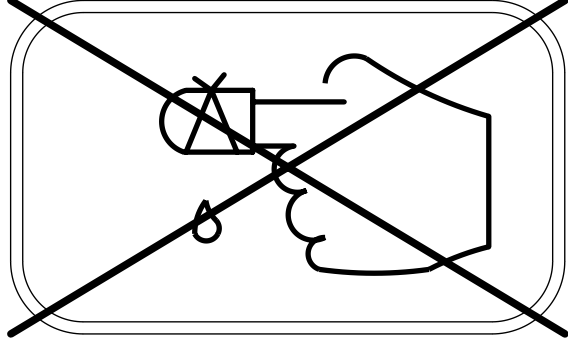
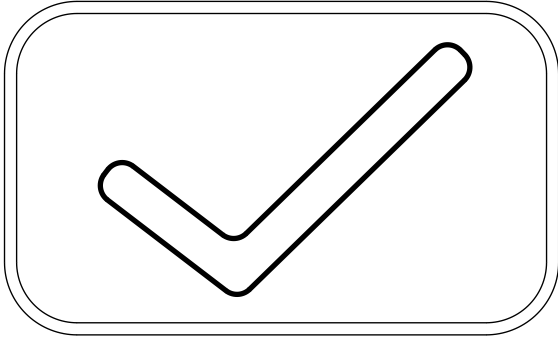
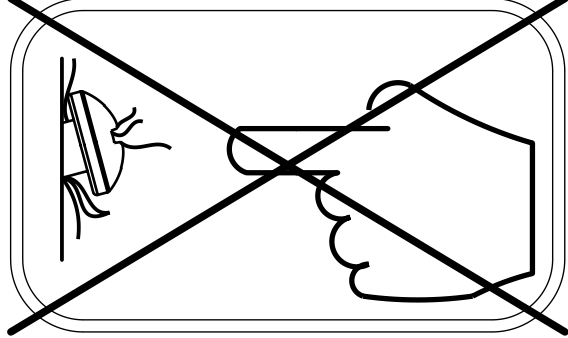
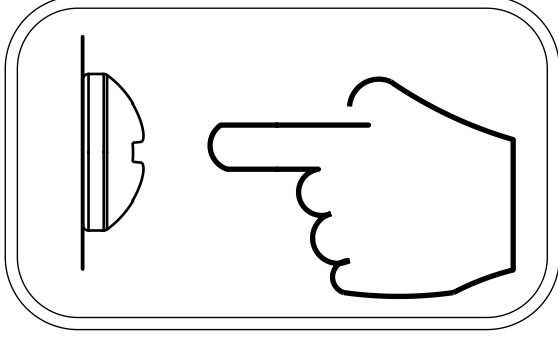
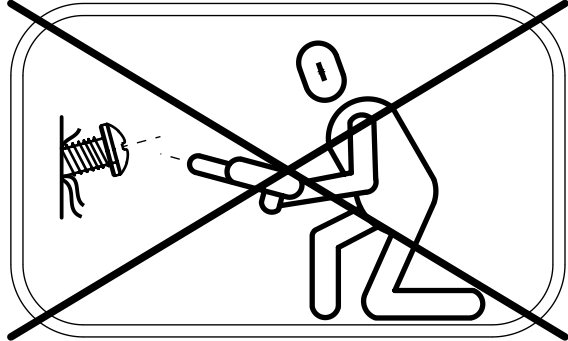
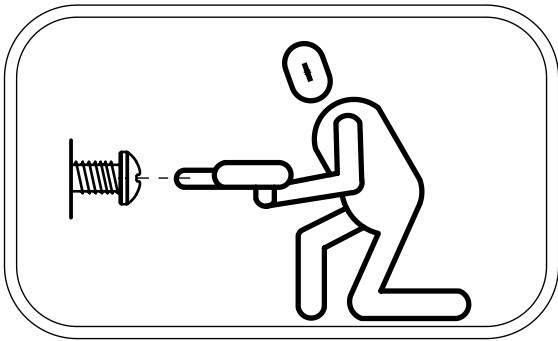
242148
x1

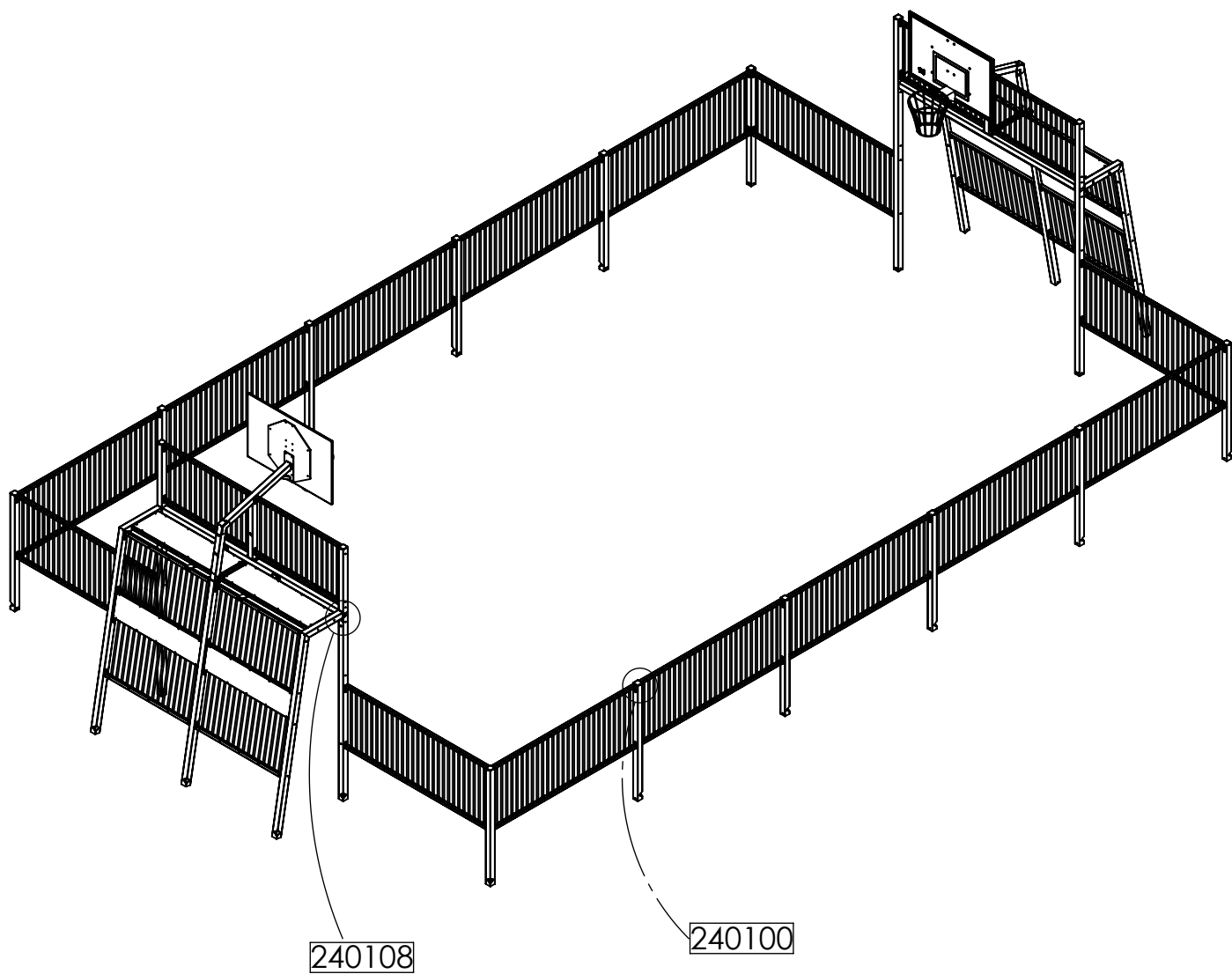


240100
240108

68x	8x25ikl
68x	8pp
20x	8x30ikl
20x	10x25ikl
20x	10pp
2x	24e007
1x	24e012
1x	24e017
1x	24e013
1x	24e014
1x	24e018
14x	24e001

1x	24e029
1x	V003



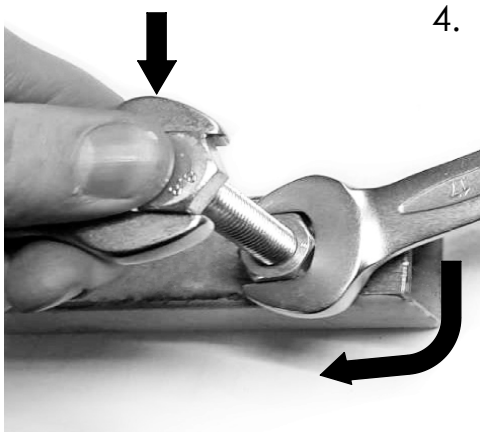
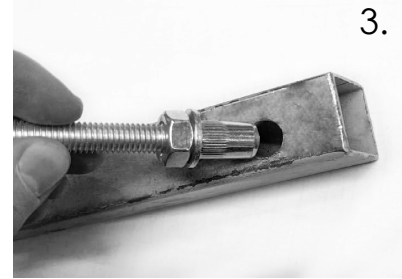
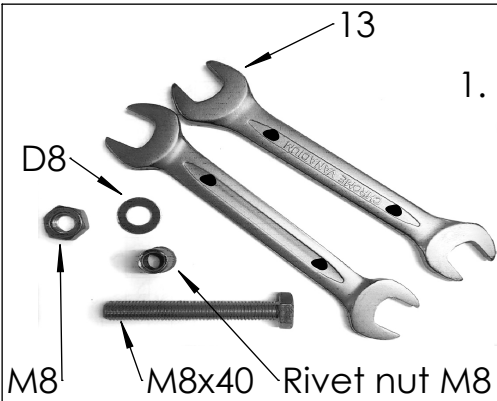
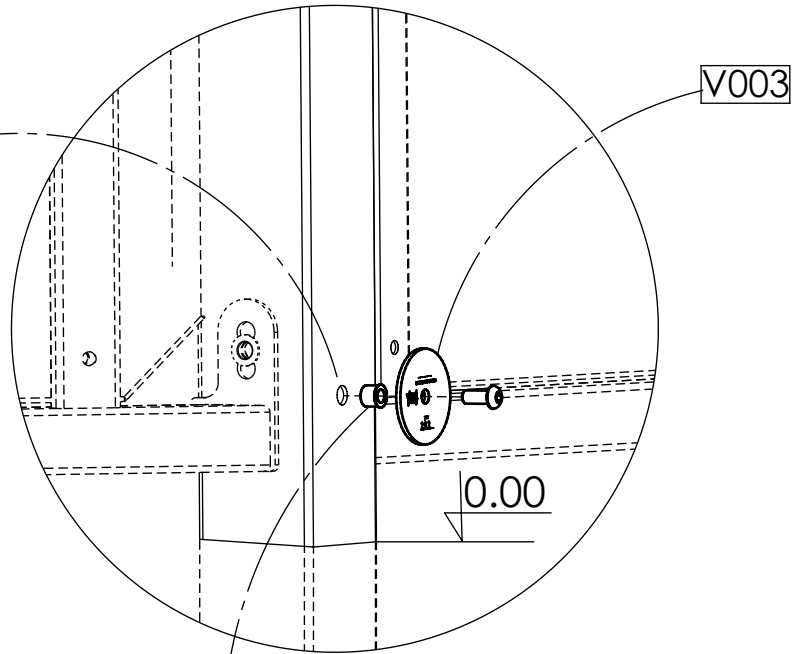
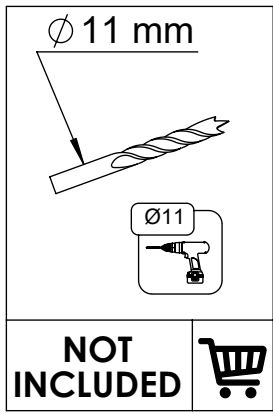


240108

240100

[cm]

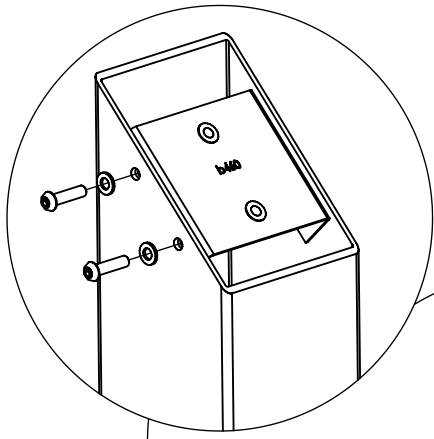
vinci
play



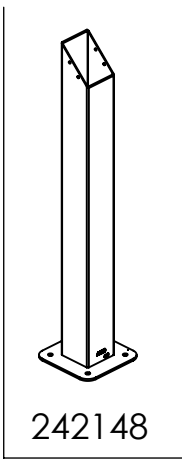
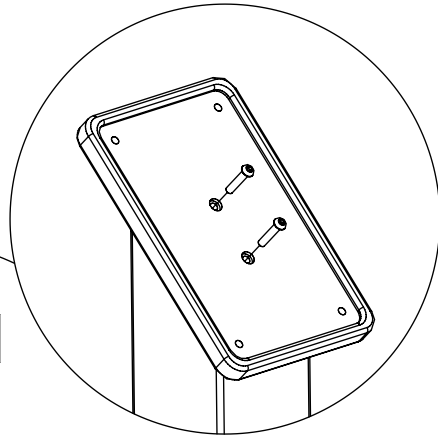
Keep the head of the screw still (it can not rotate!)
 - then by using short wrench - rotate/screw only the bottom part of solution - the nur. Attention!
 - do not put much power for this operation (otherwise the rivet nut will be damaged!).
 The difference between screw head and the nut should change from 3mm to 8mm

After that unscrew screws

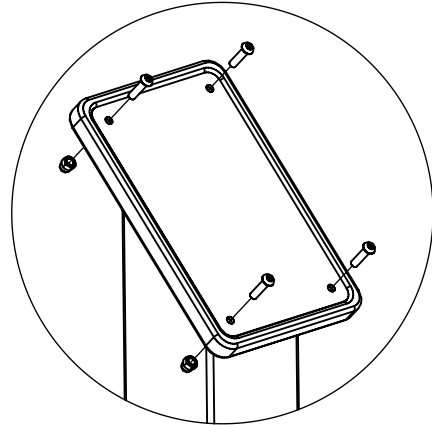
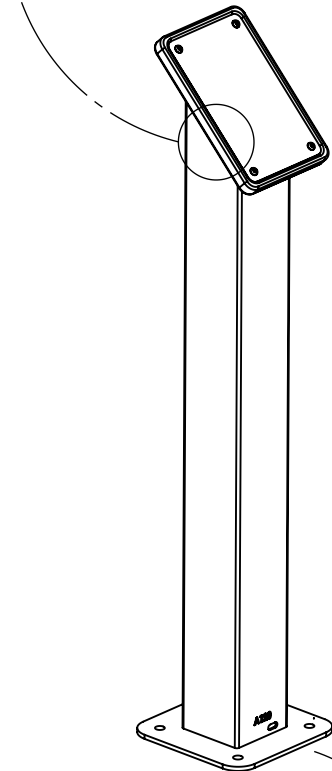
Final effect



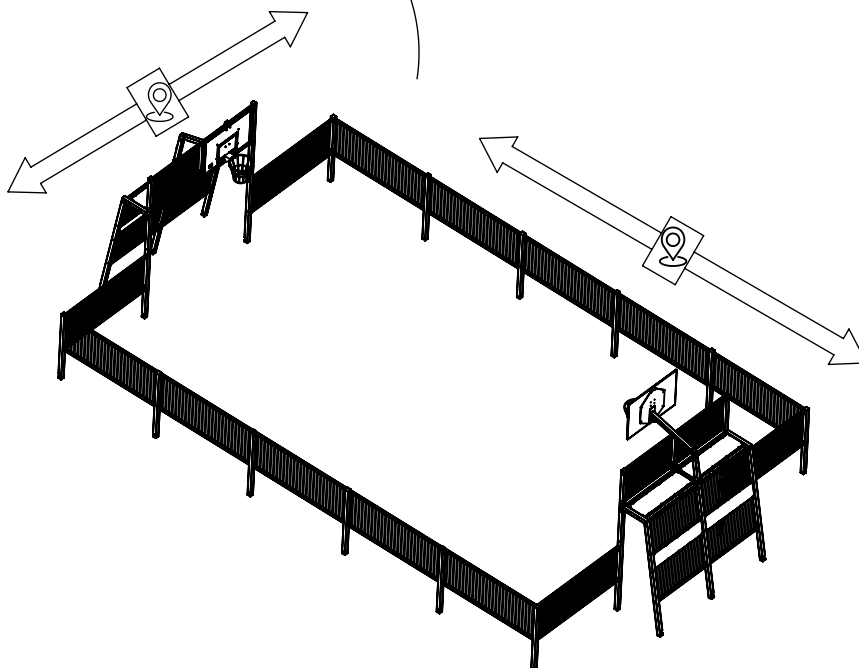
24e006



242148



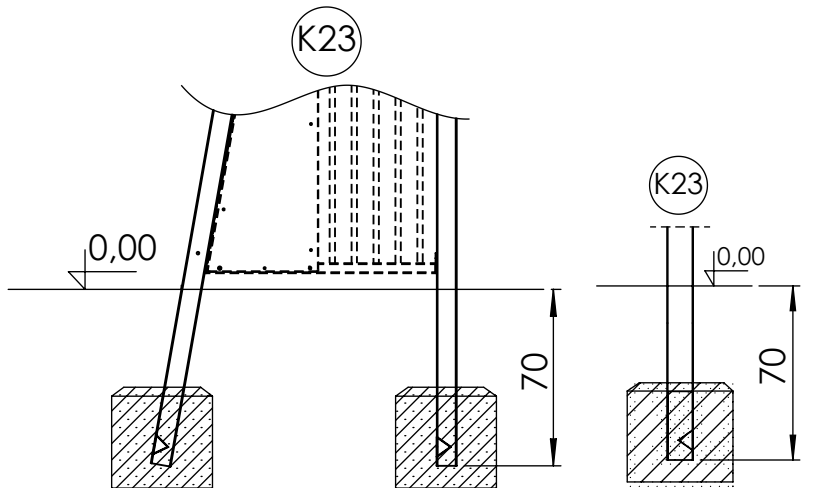
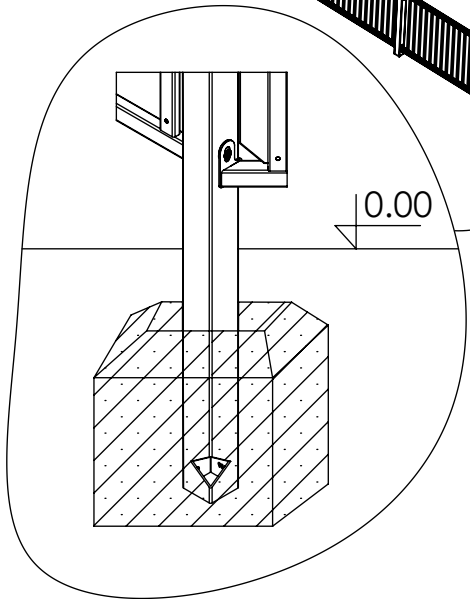
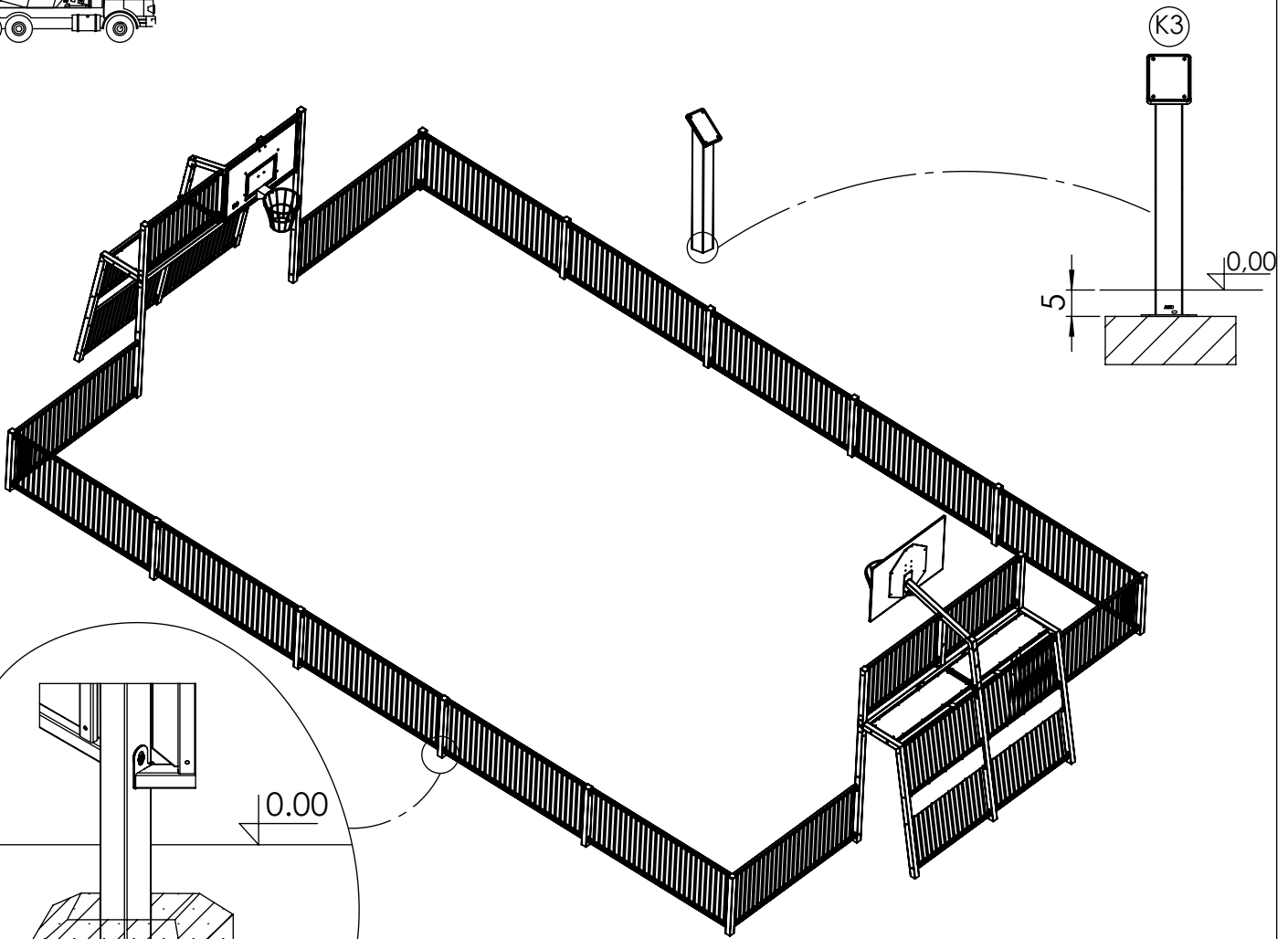
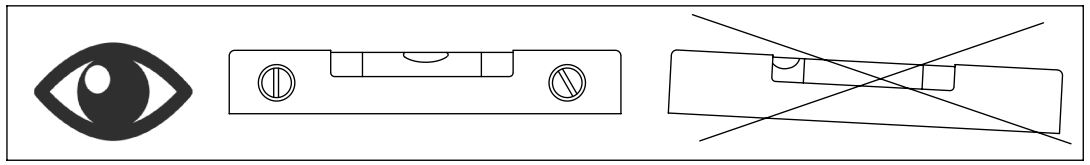
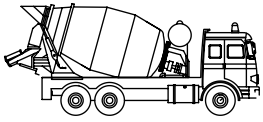
24e005



[cm]

vinci
play

48h



K23

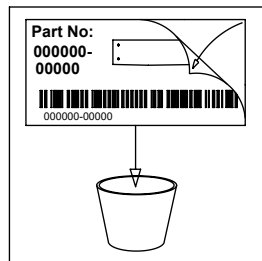
x22

>0,06m³

K3

x1

>0,02m³



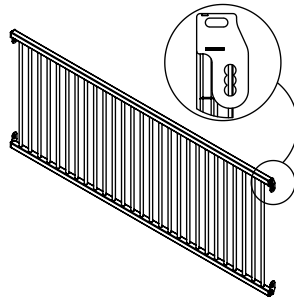
vinci play

[cm]

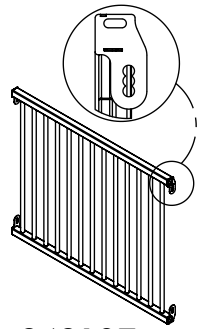
240100



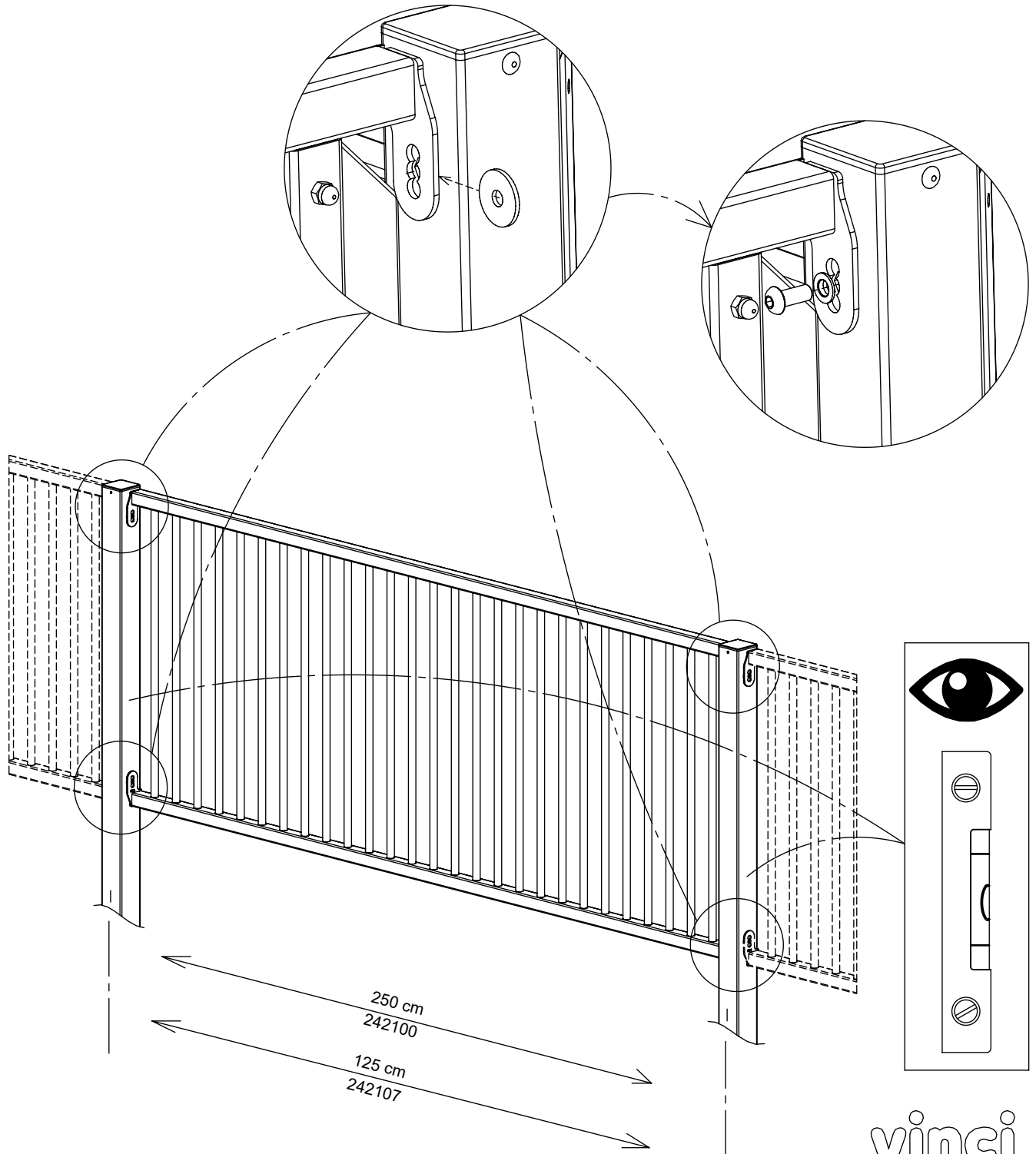
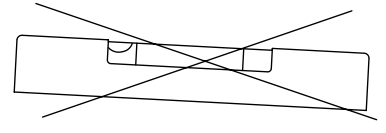
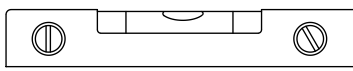
24e001



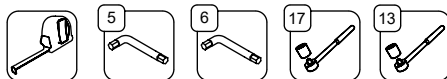
242100



242107



[cm]

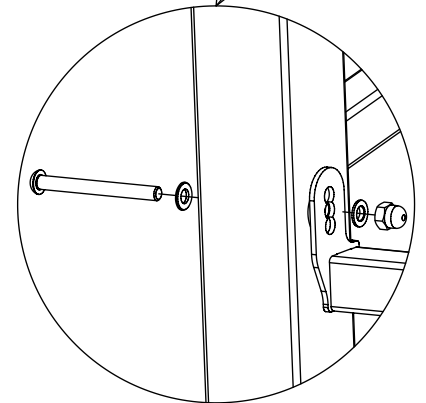
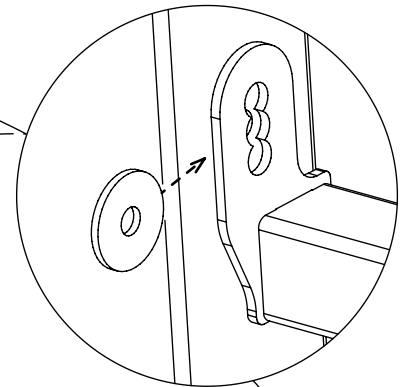
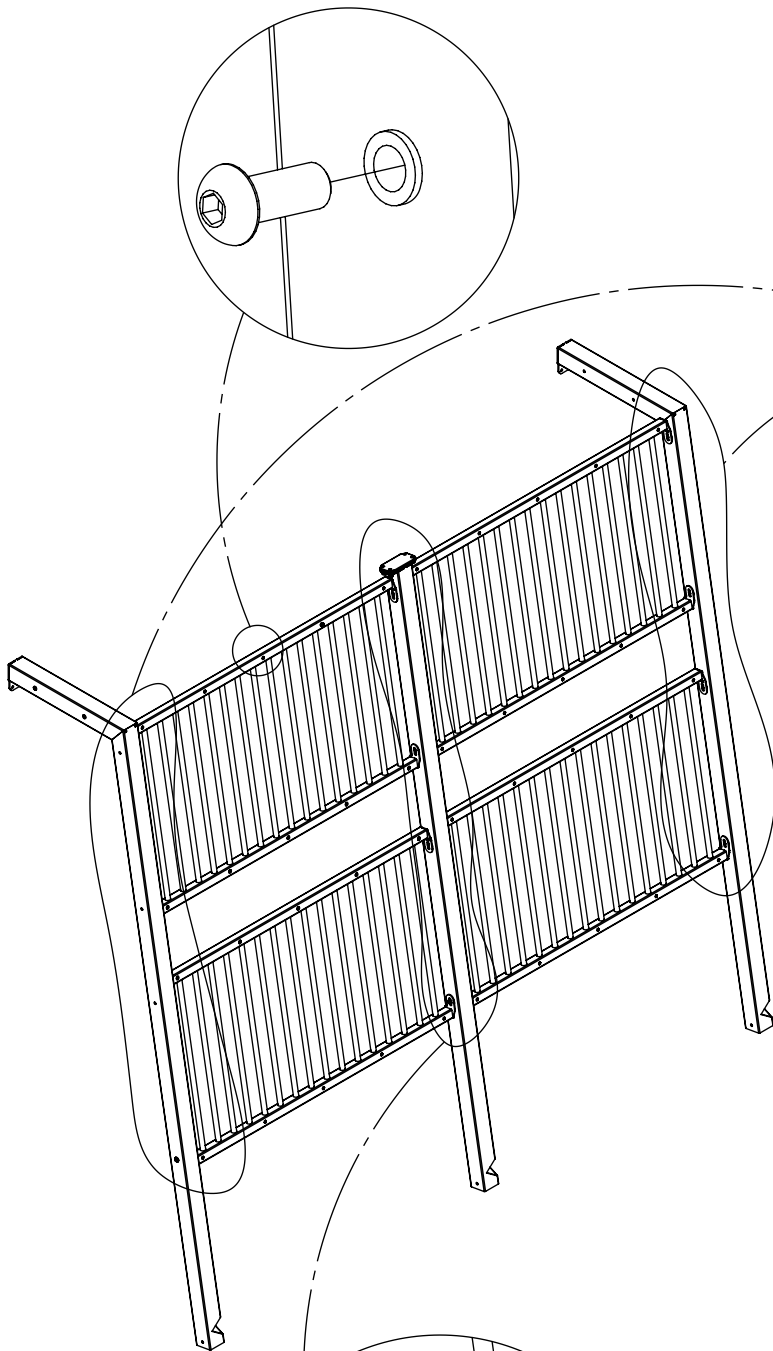
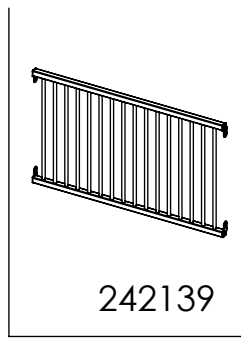
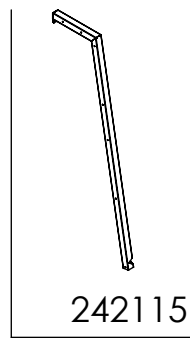
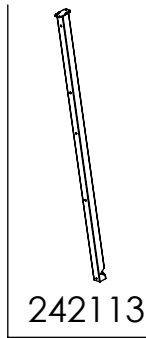


vinci
play

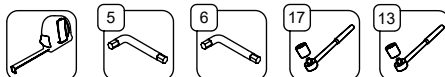
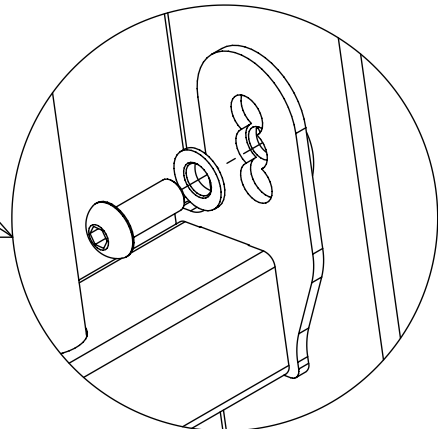
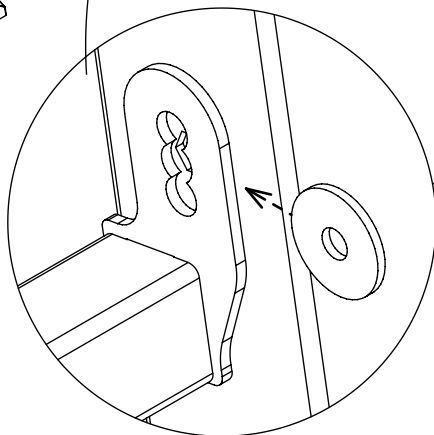
240108

20x **8x25ikl**

20x **8pp**

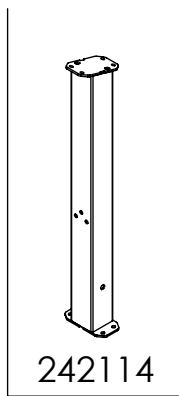


4x **24e007**

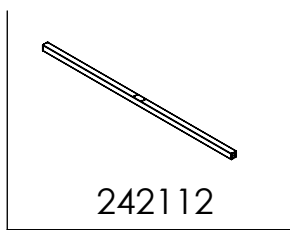


[cm]

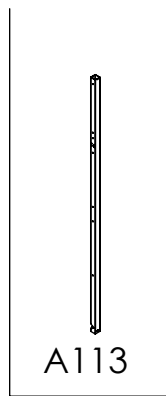
vinci
play



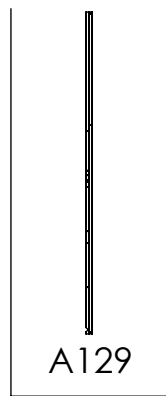
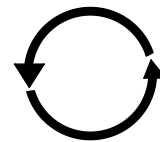
242114



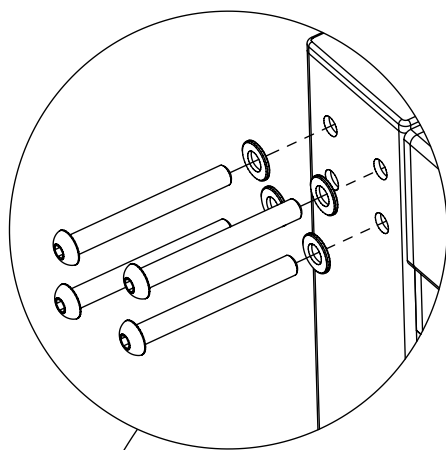
242112



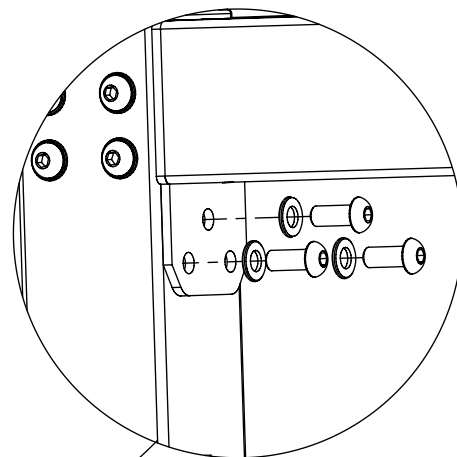
A113



A129

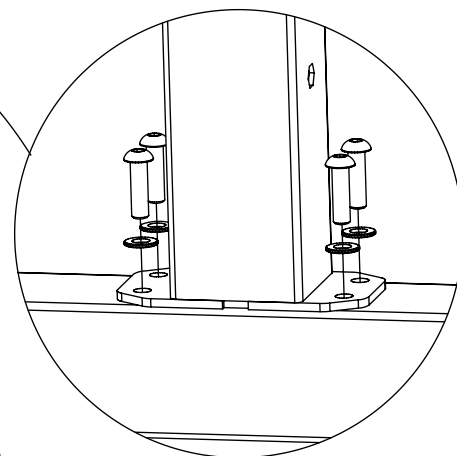
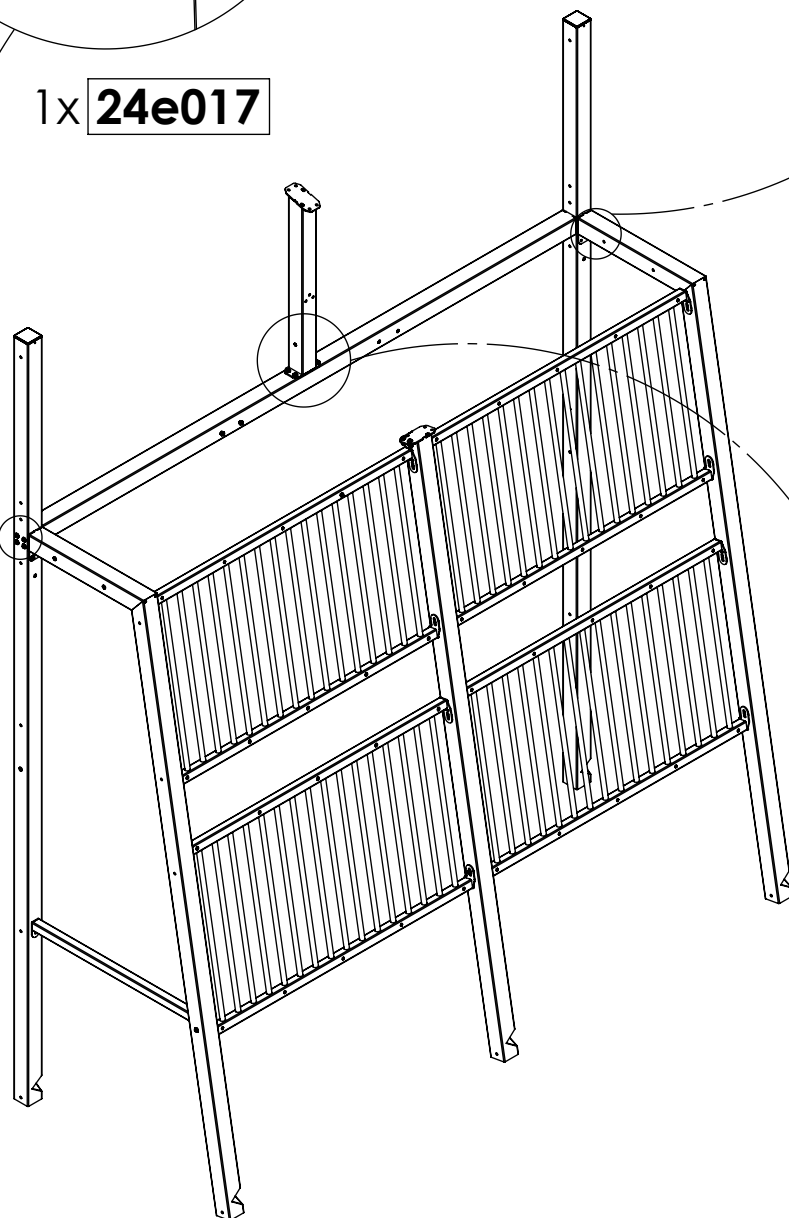


1x **24e017**



6x **10x25ikl**

6x **10pp**

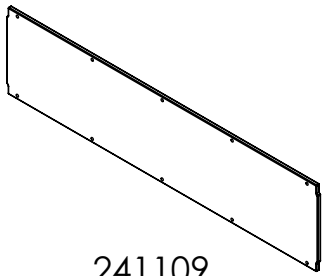


4x **10x25ikl**

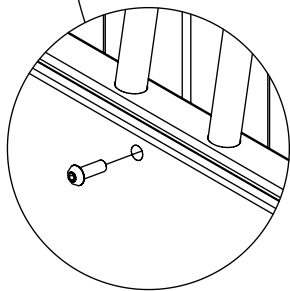
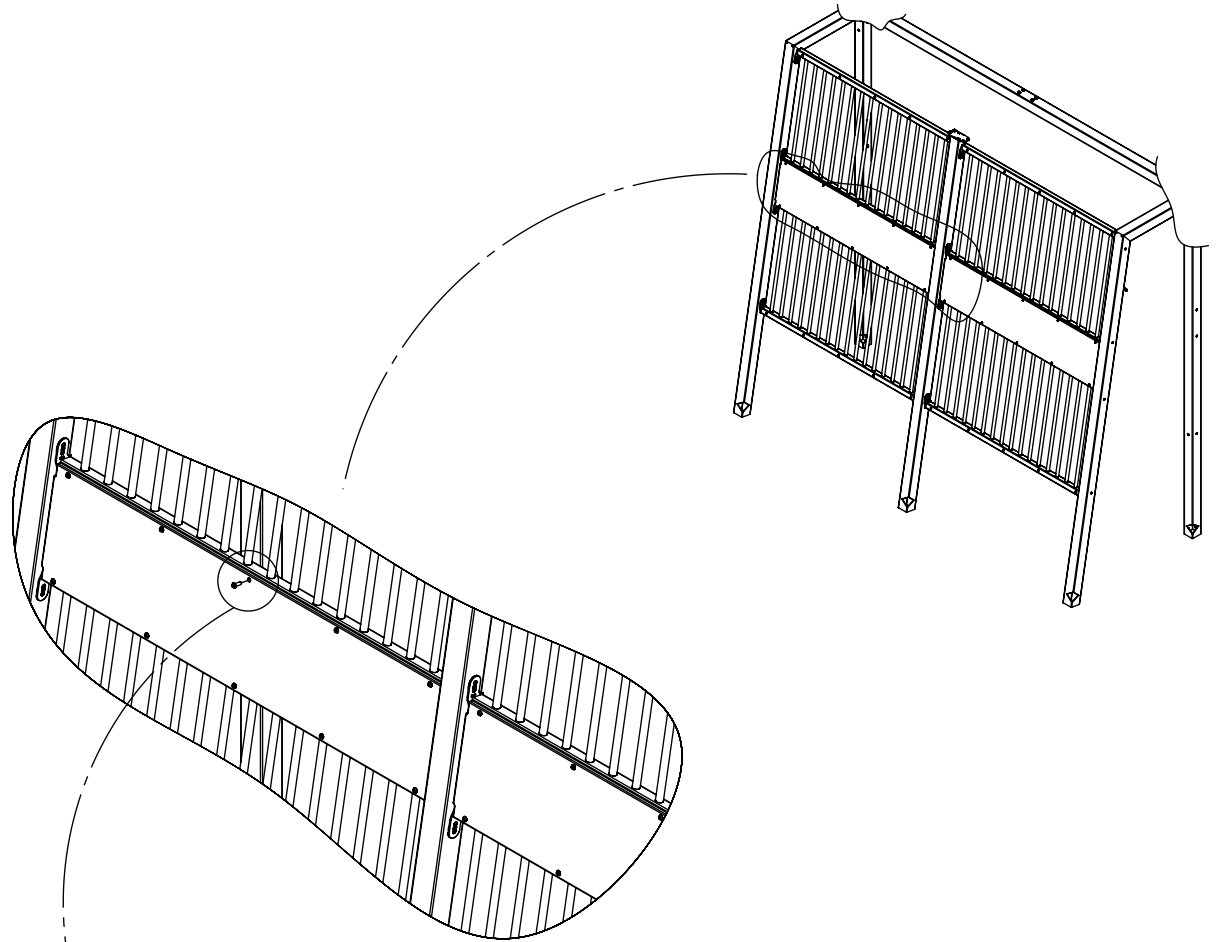
4x **10pp**

[cm]

vinci
play



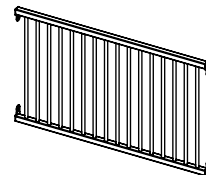
241109



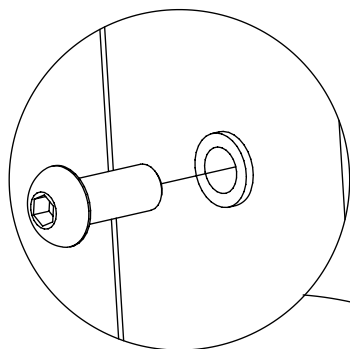
20x **8x30ikl**

[cm]

vinci
play

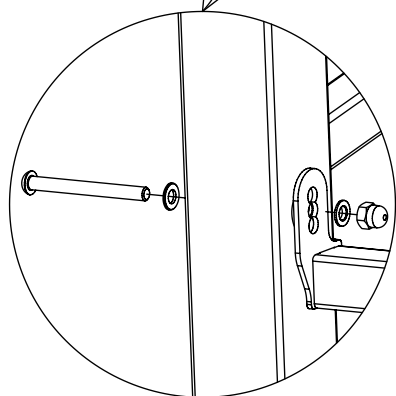
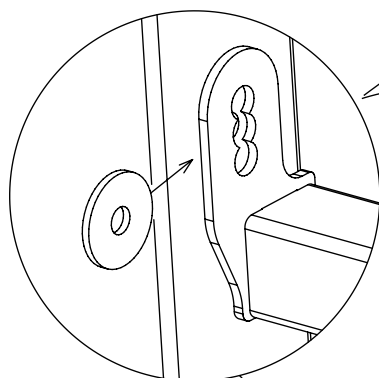


242139

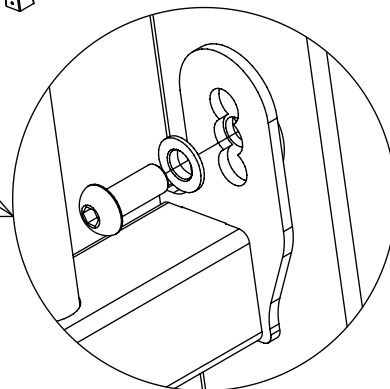
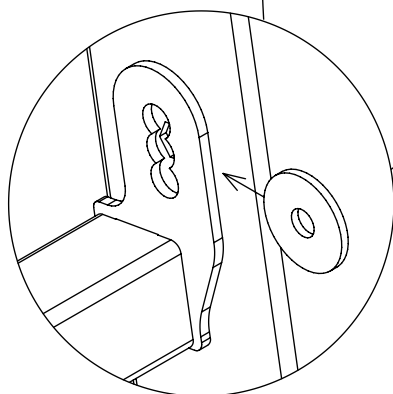


40x **8x25ikl**

40x **8pp**

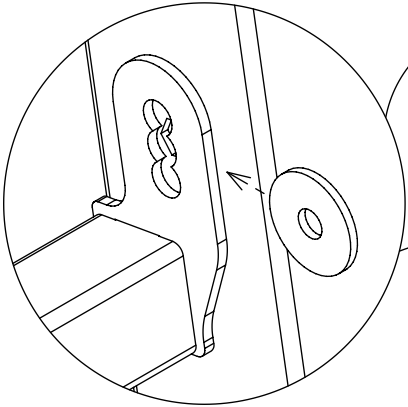
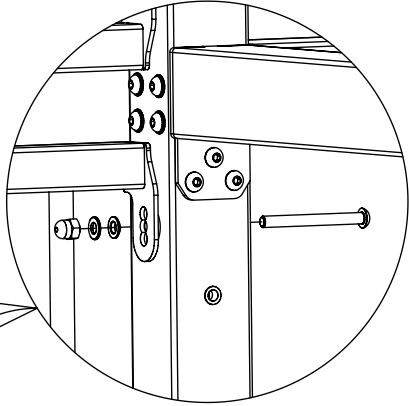
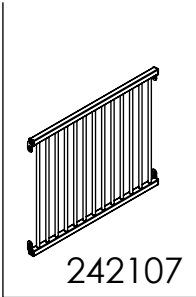
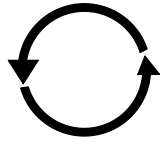
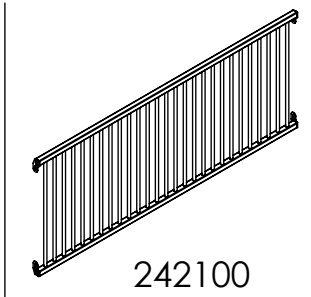


2x **24e007**

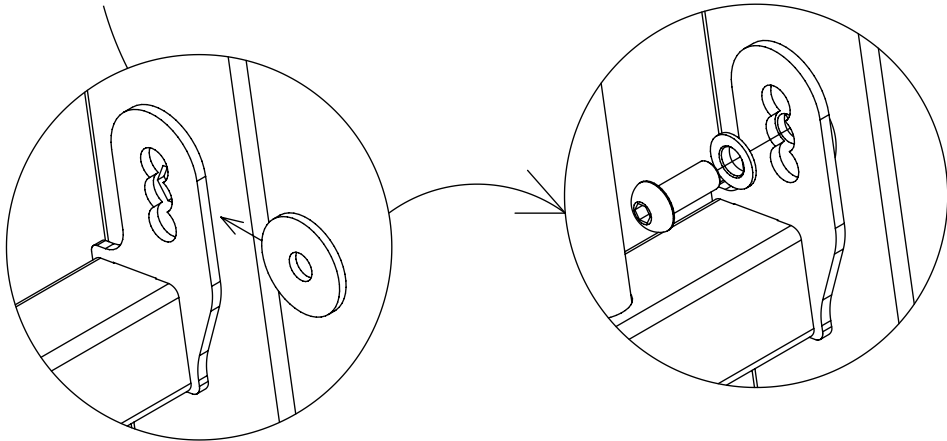
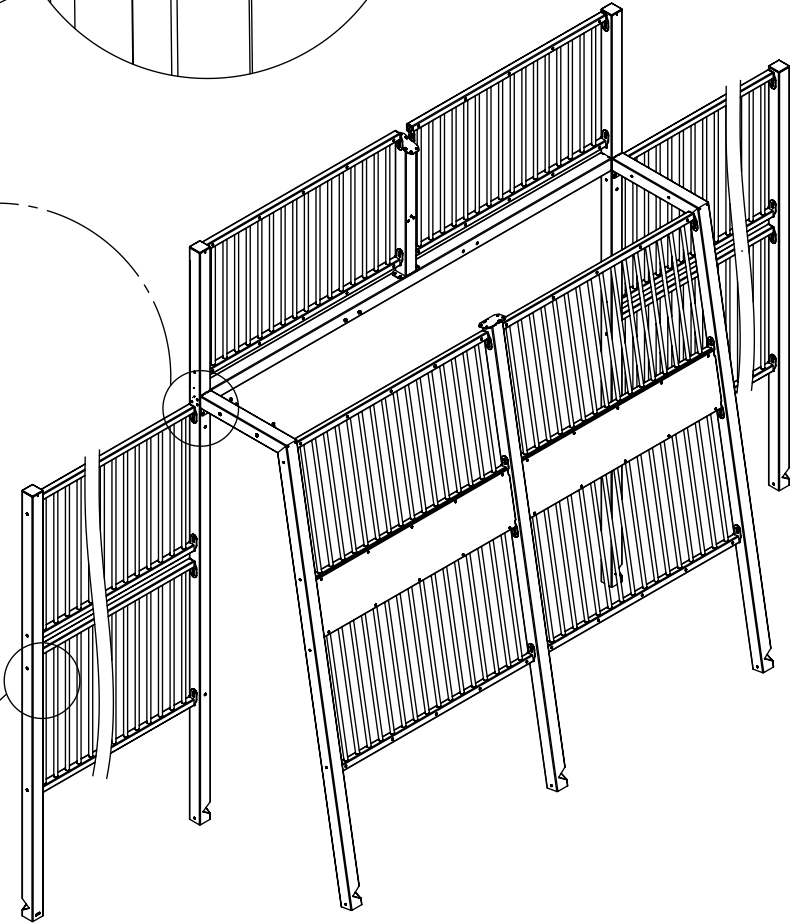


[cm]

vinci
play

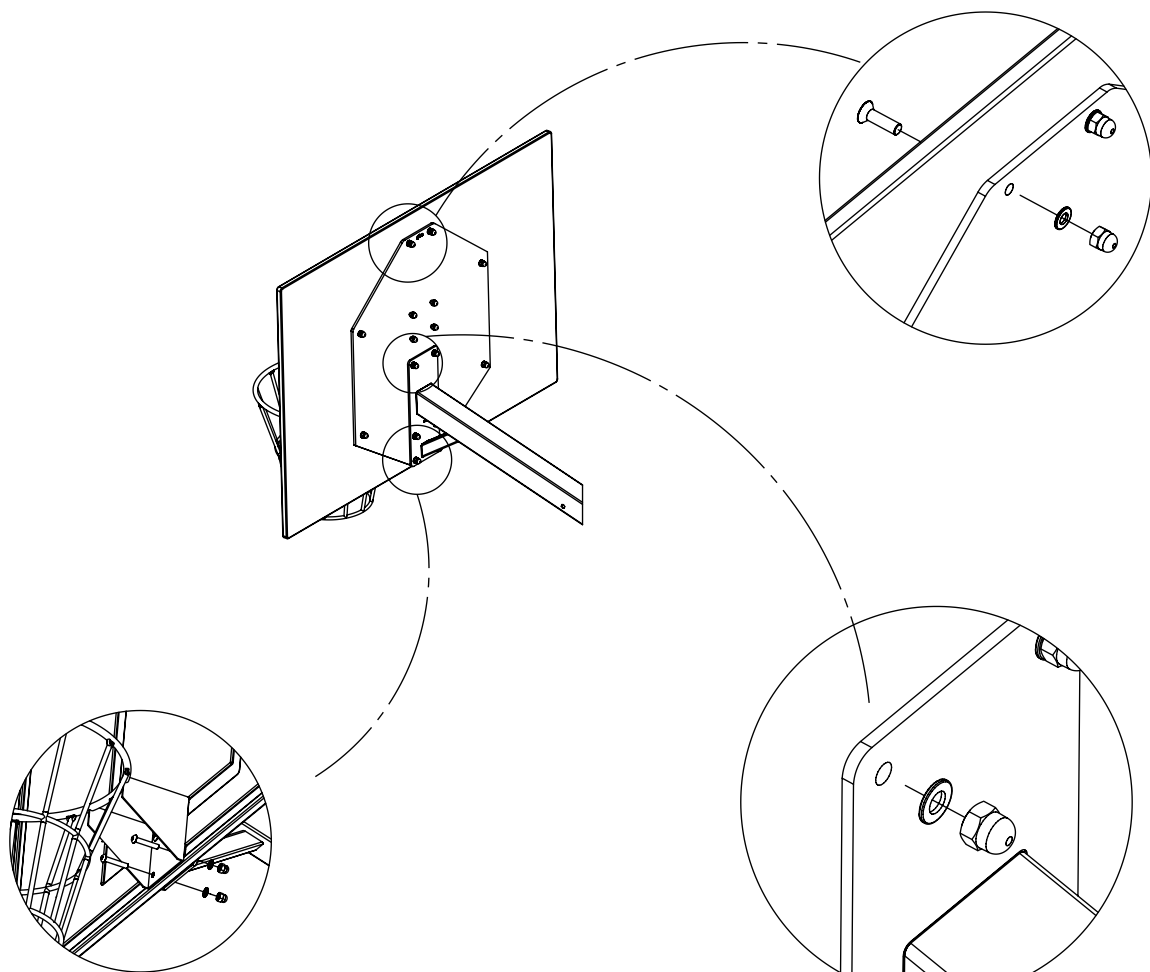
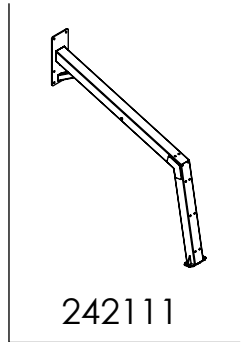
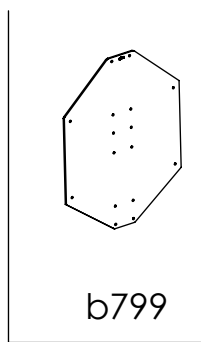
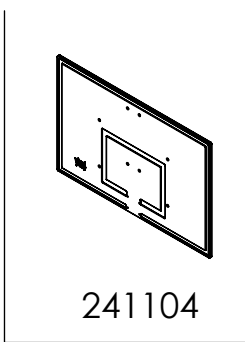
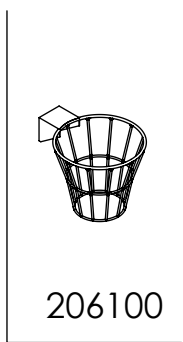
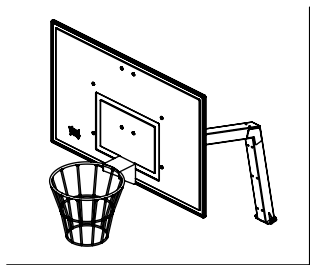


24e007

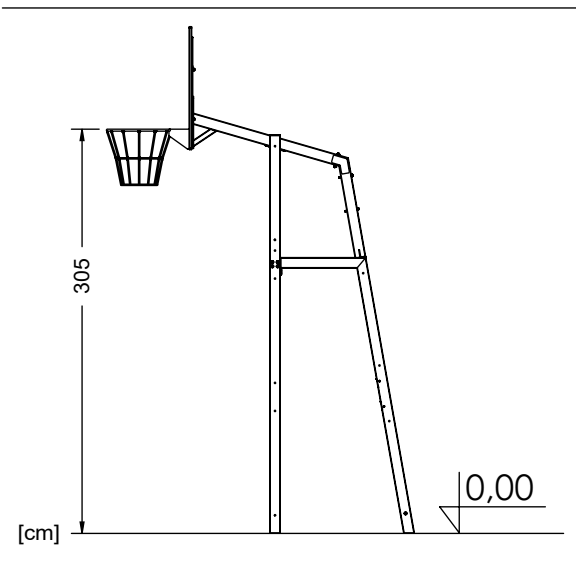


[cm]

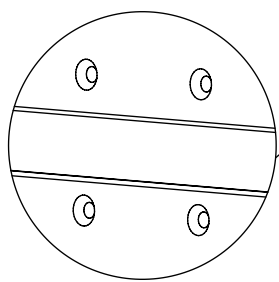
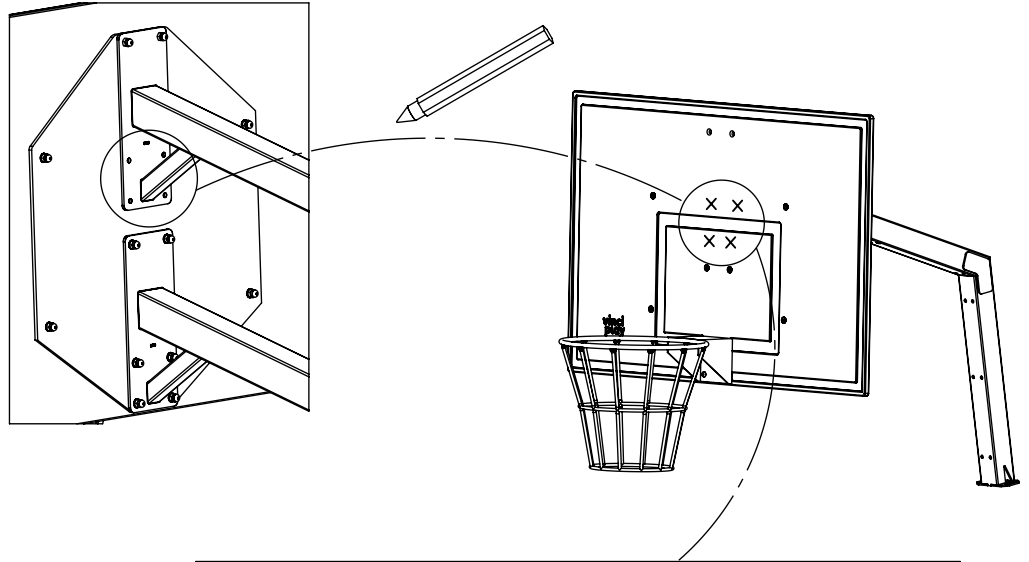
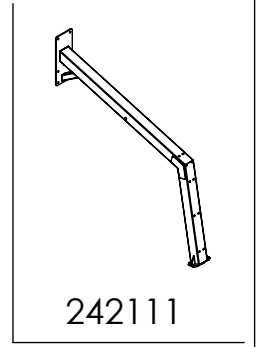
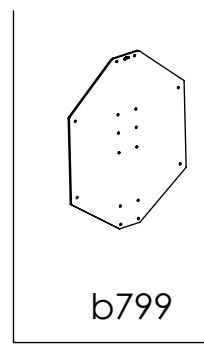
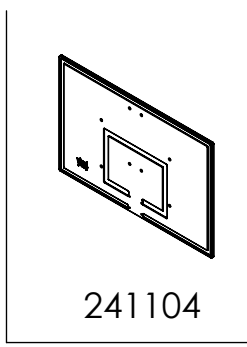
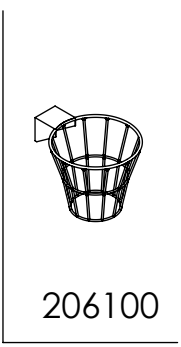
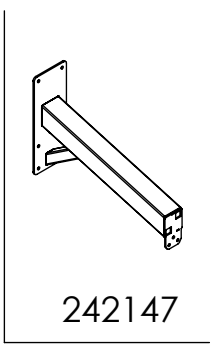
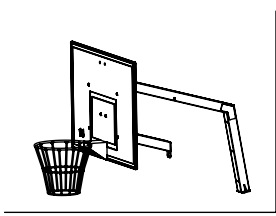
vinci
play



1x **24e012**



vinci
play

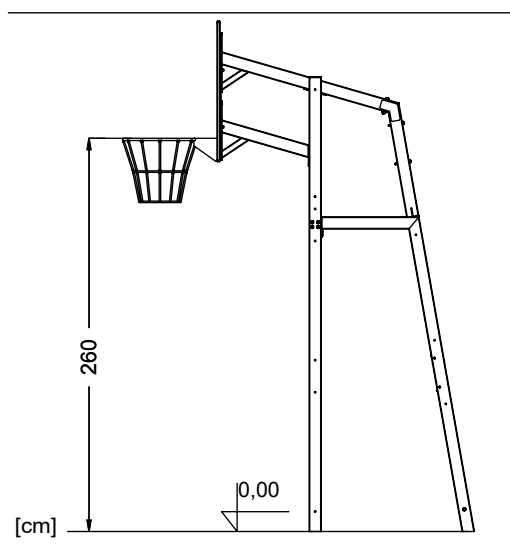


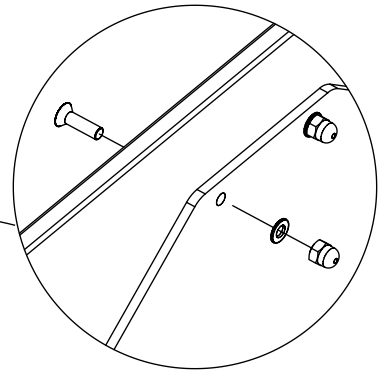
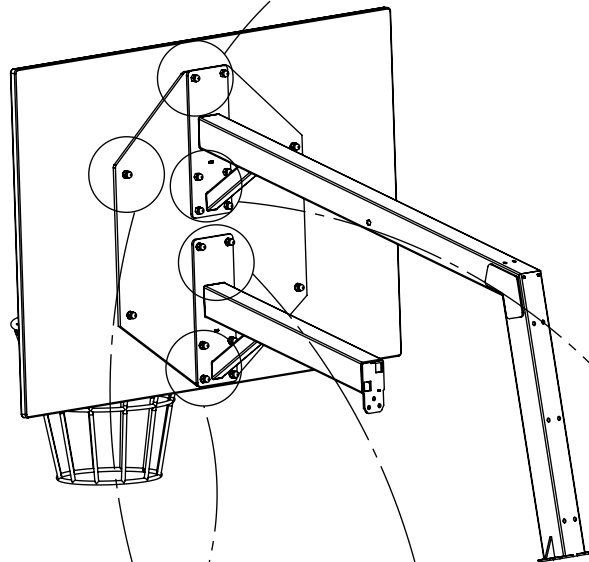
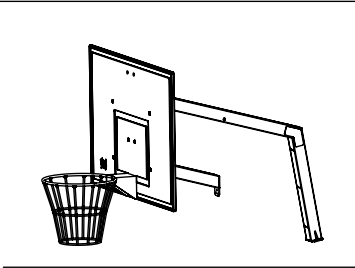
1x **24e013**

Ø 11 mm

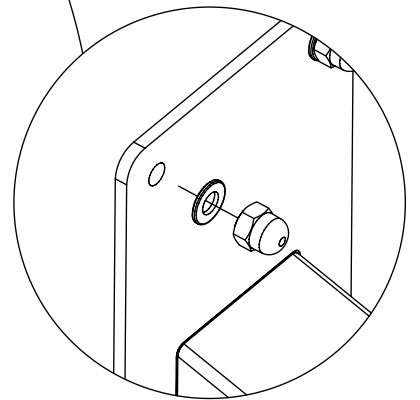
Ø11

NOT INCLUDED

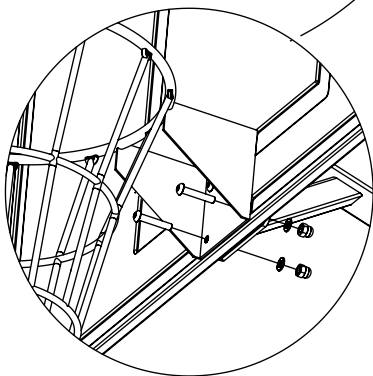




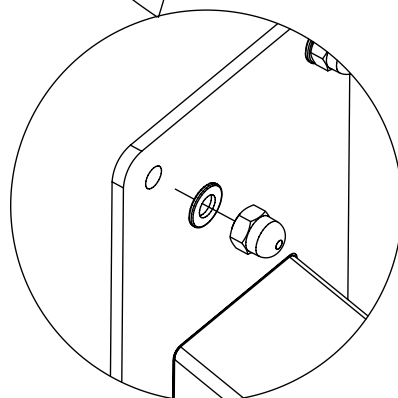
24e013



24e013



24e012

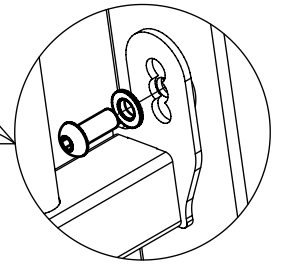
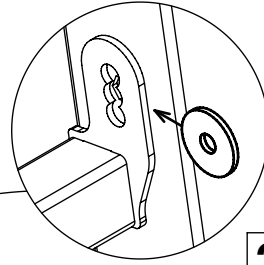


24e012

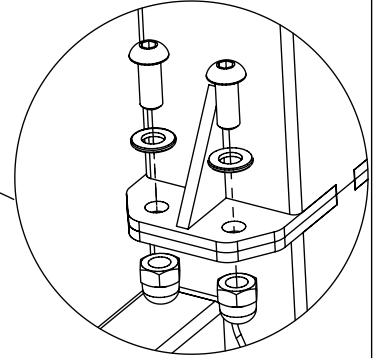
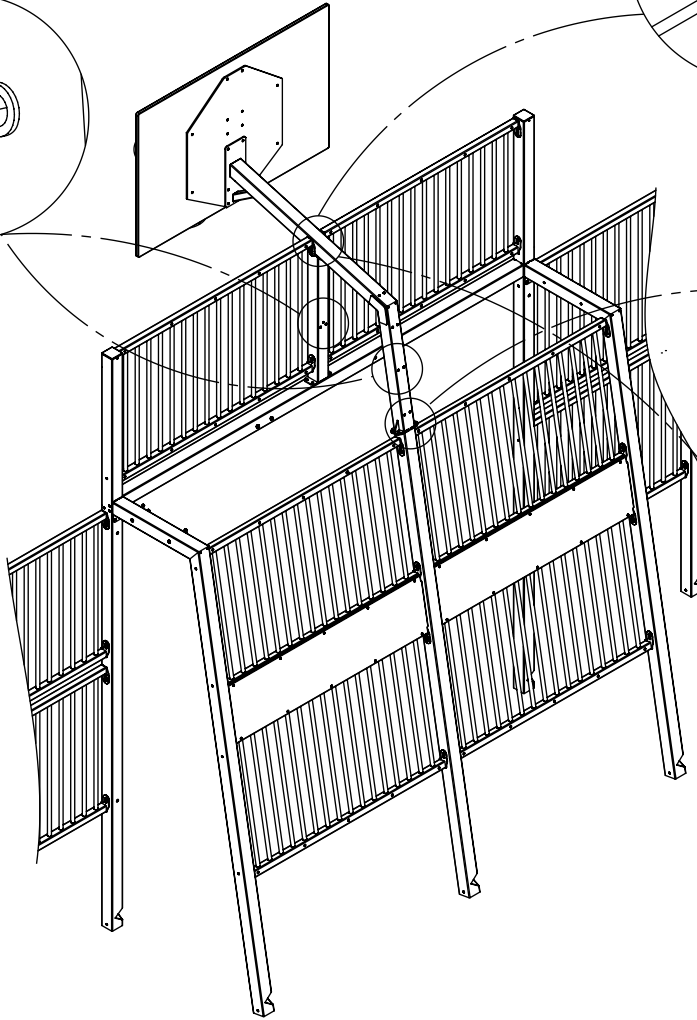
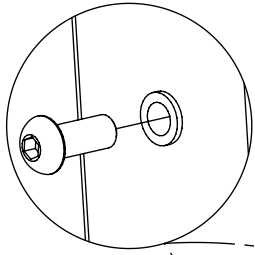
[cm]

vinci
play

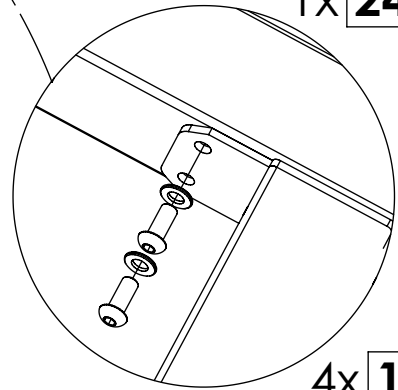
1x **24e014**



24e007

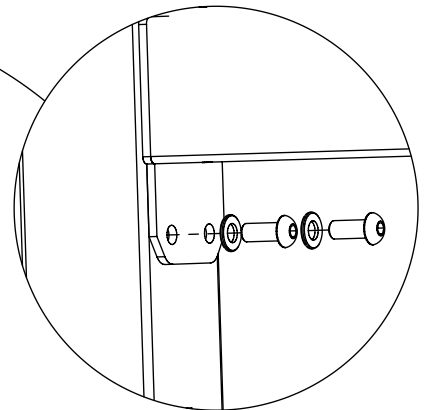
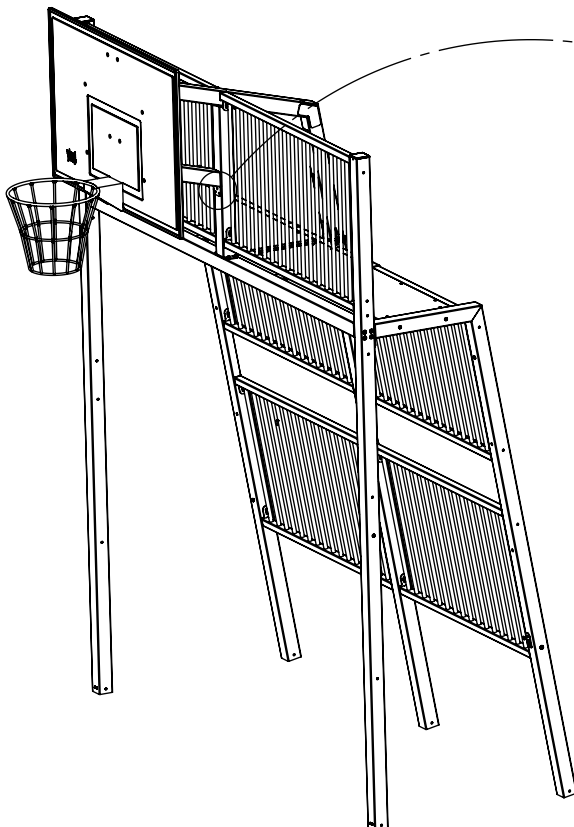


1x **24e018**



4x **10pp**

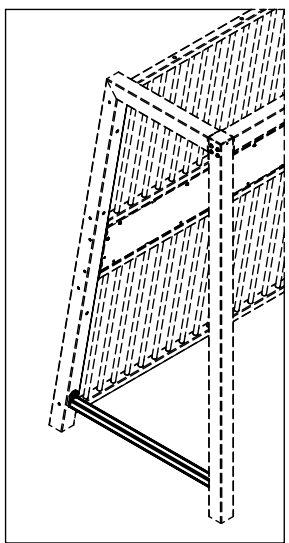
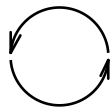
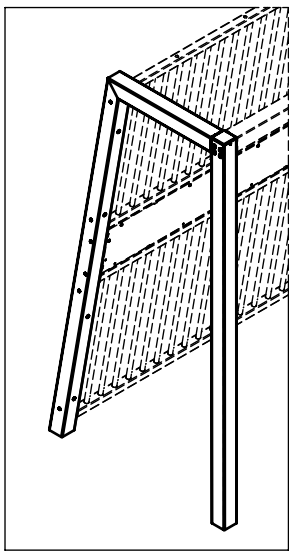
4x **10x25ikl**



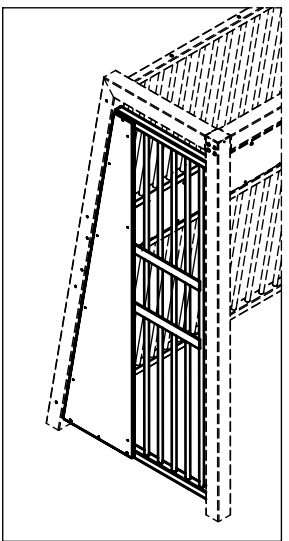
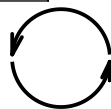
24e013

[cm]

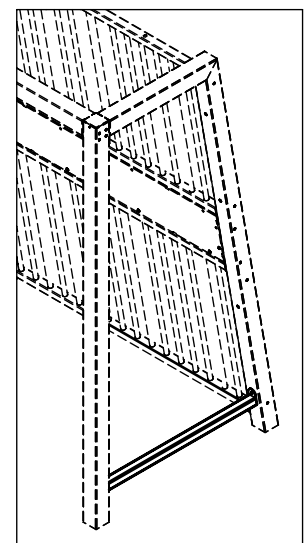
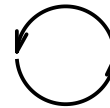
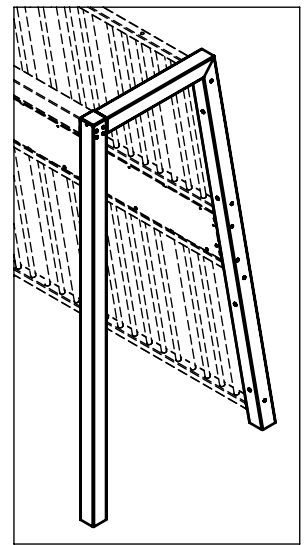
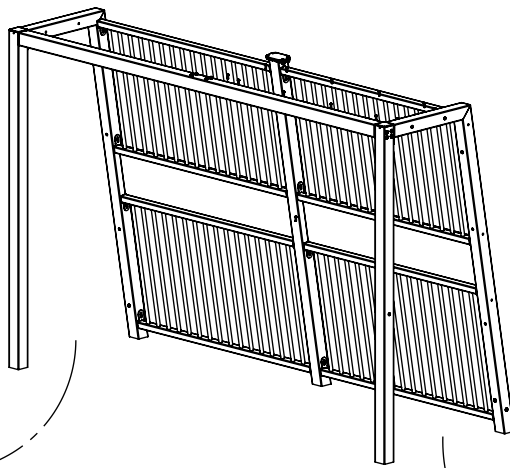
vinci
play



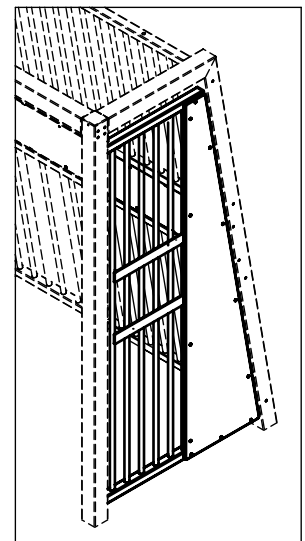
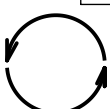
242123



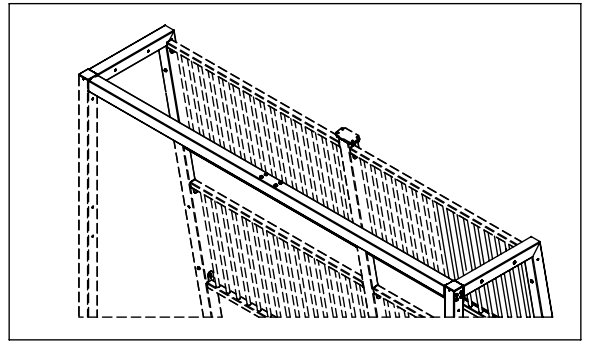
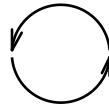
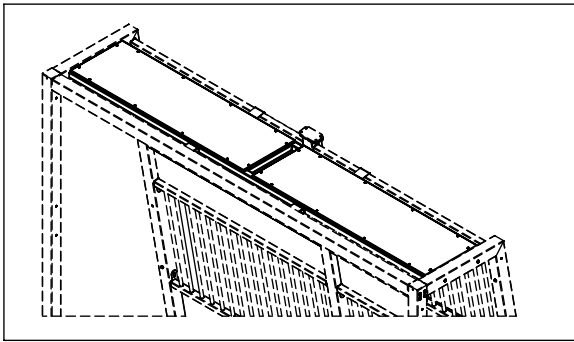
244126



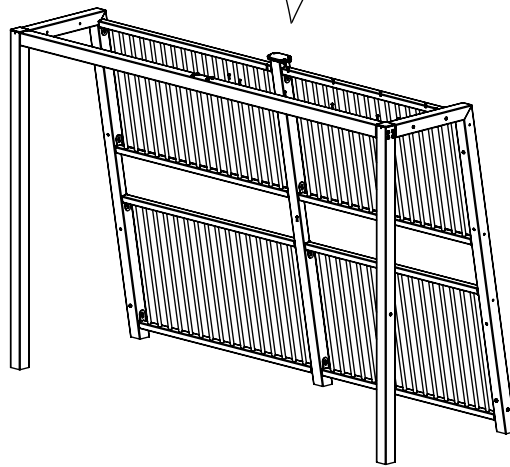
242123

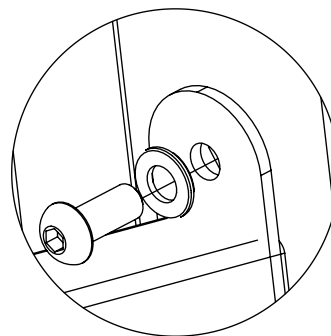
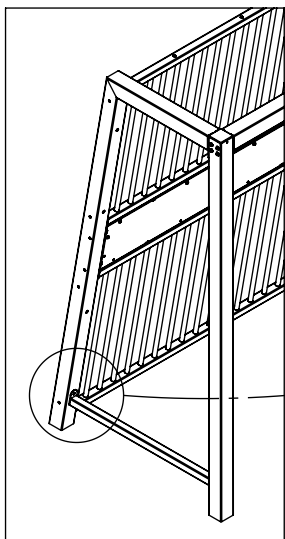


244125



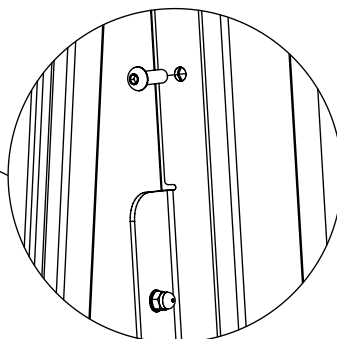
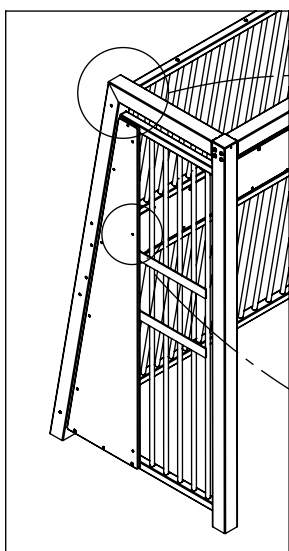
244129



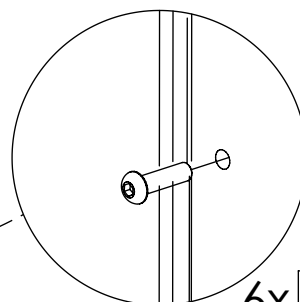


6x **10x25ikl**

6x **10pp**

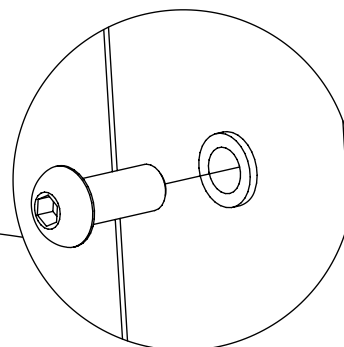
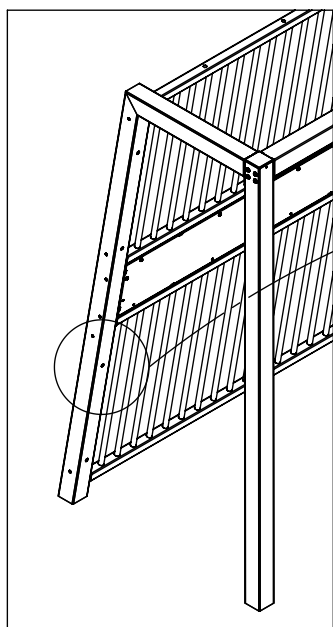


1x **24e011**



6x **10x25ikl**

6x **10pp**

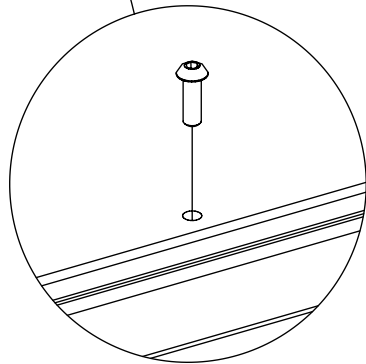
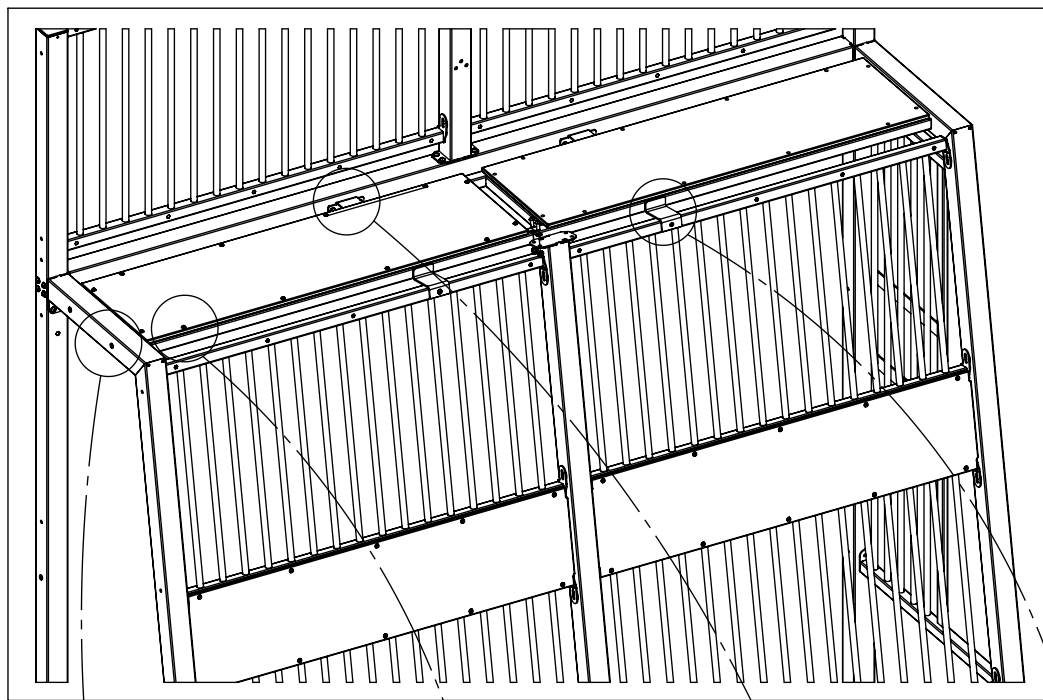


6x **10x25ikl**

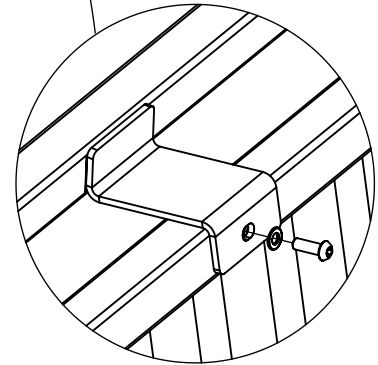
6x **10pp**

[cm]

vinci
play

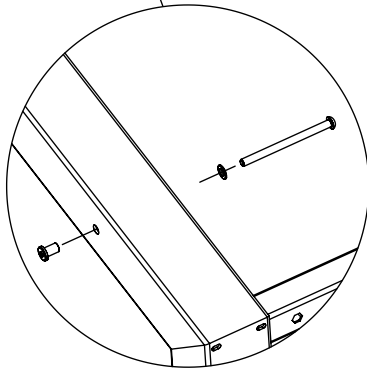


1x **24e029**

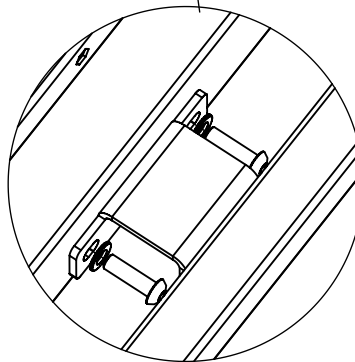


8x25ikl

8pp



24e029



24e029