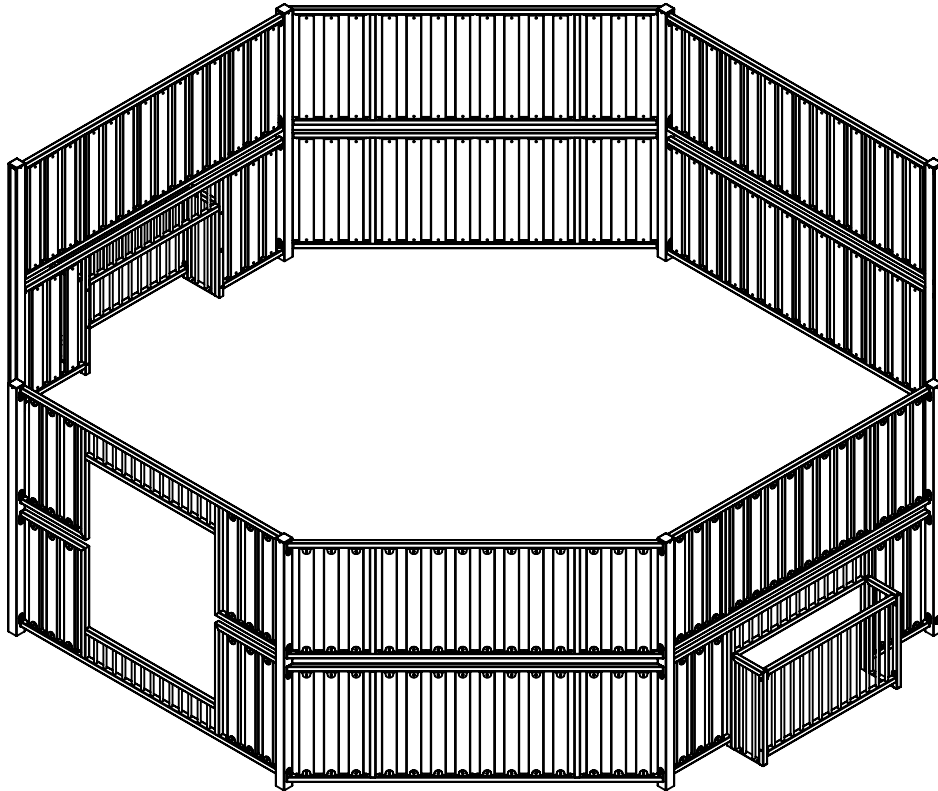
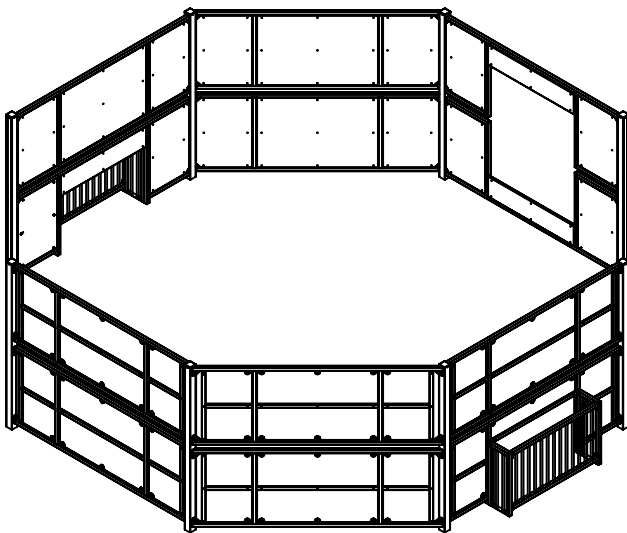


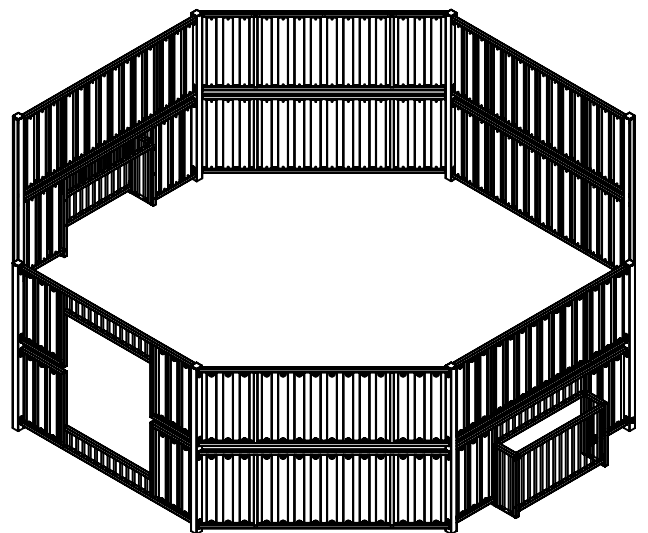
240606-002



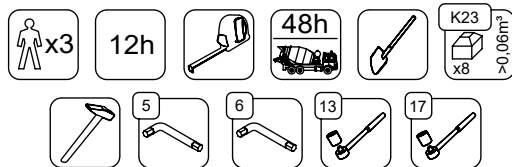
E



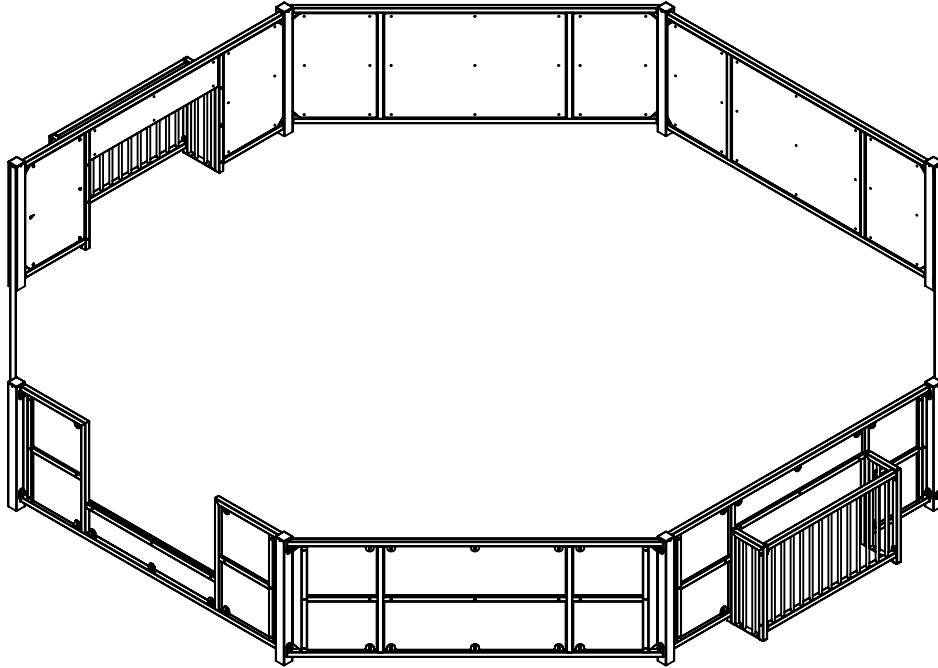
G



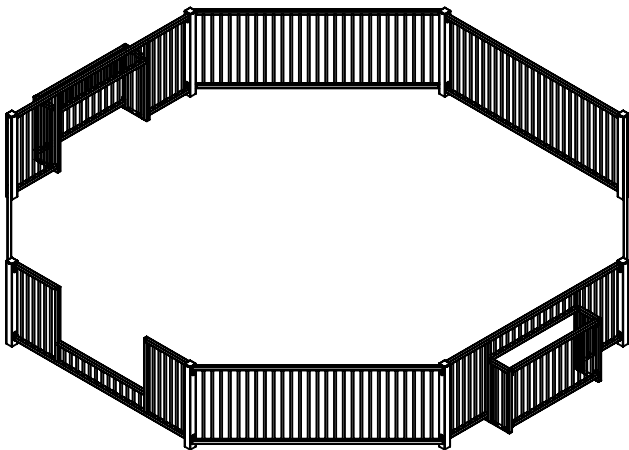
Q



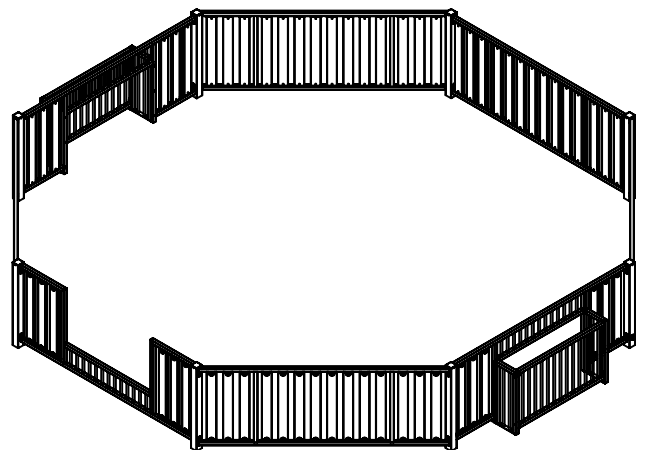
240606-001



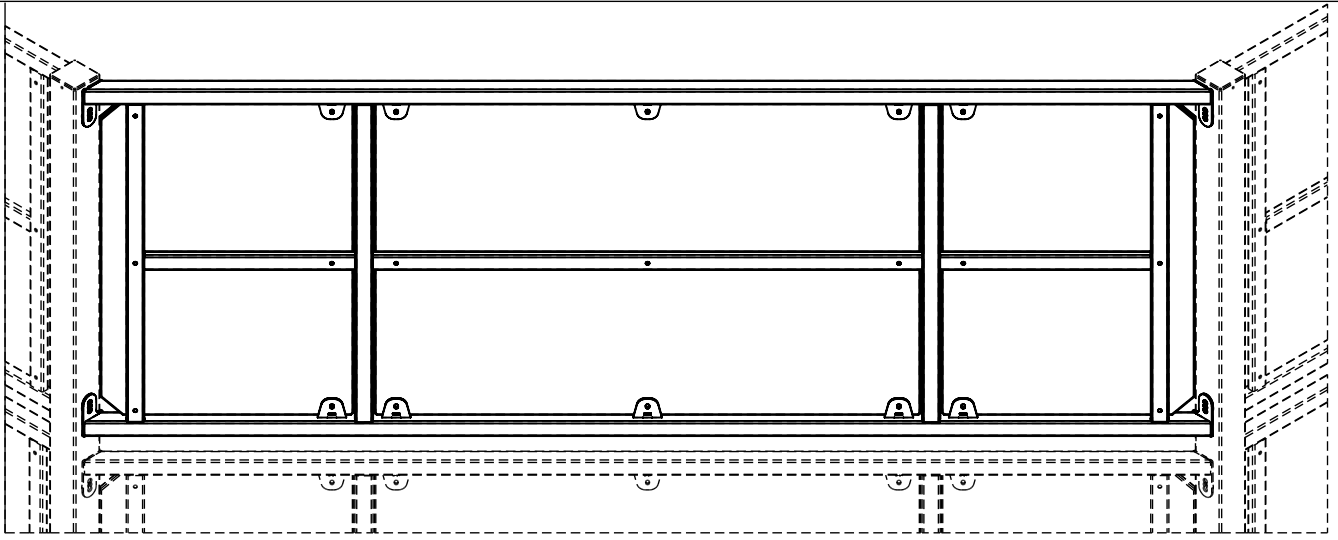
E



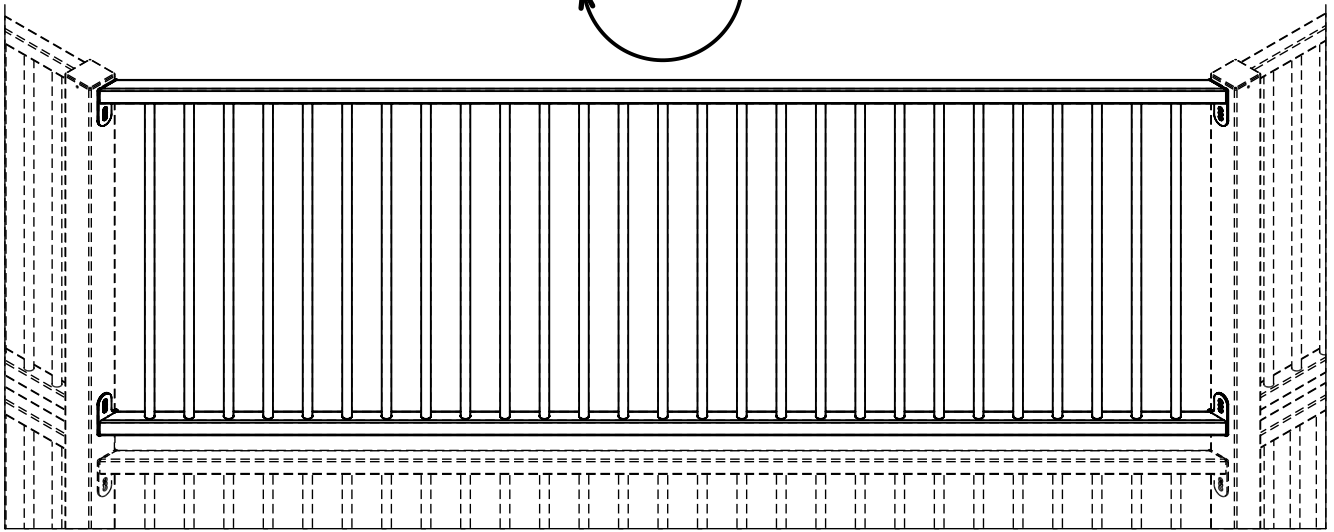
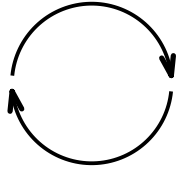
G



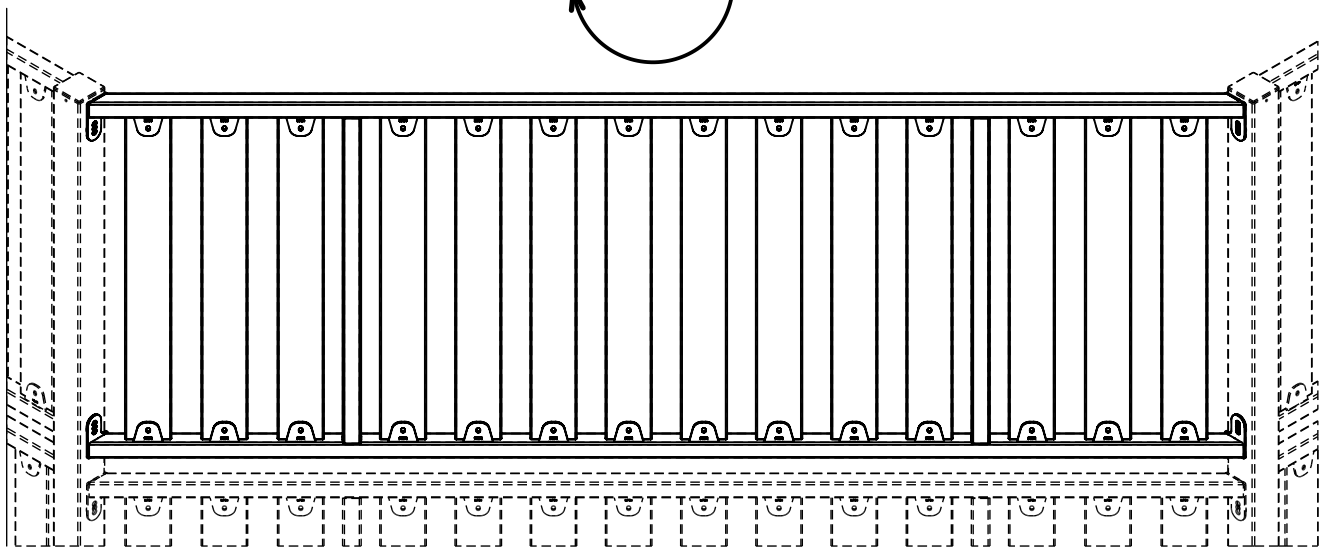
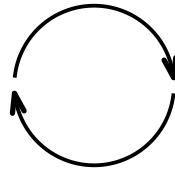
Q



E



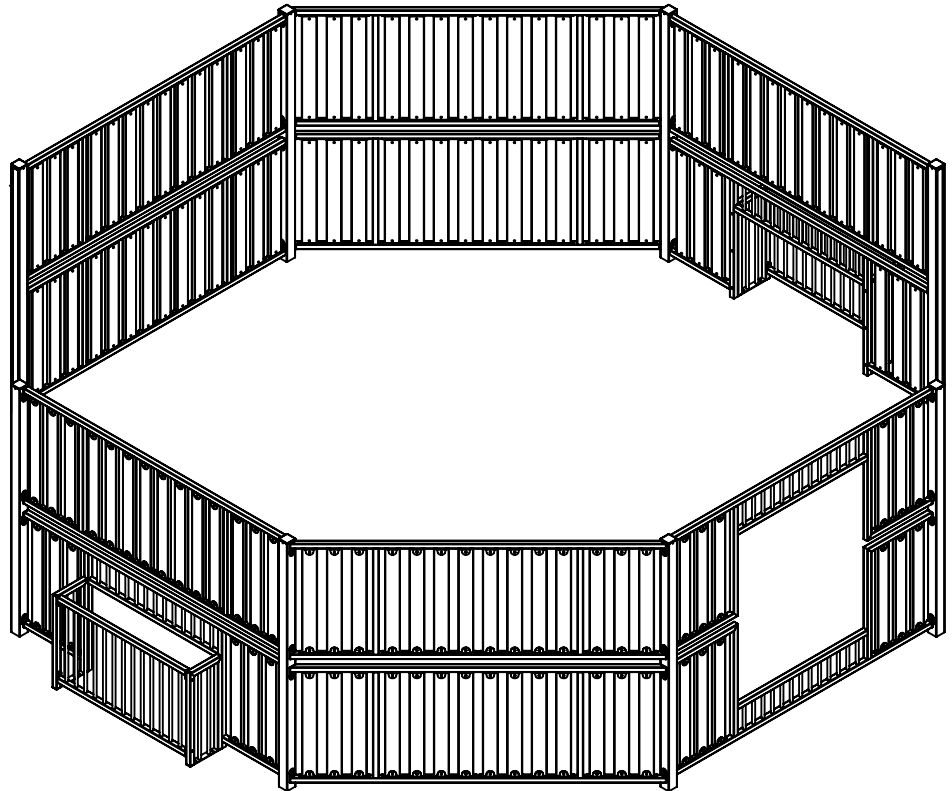
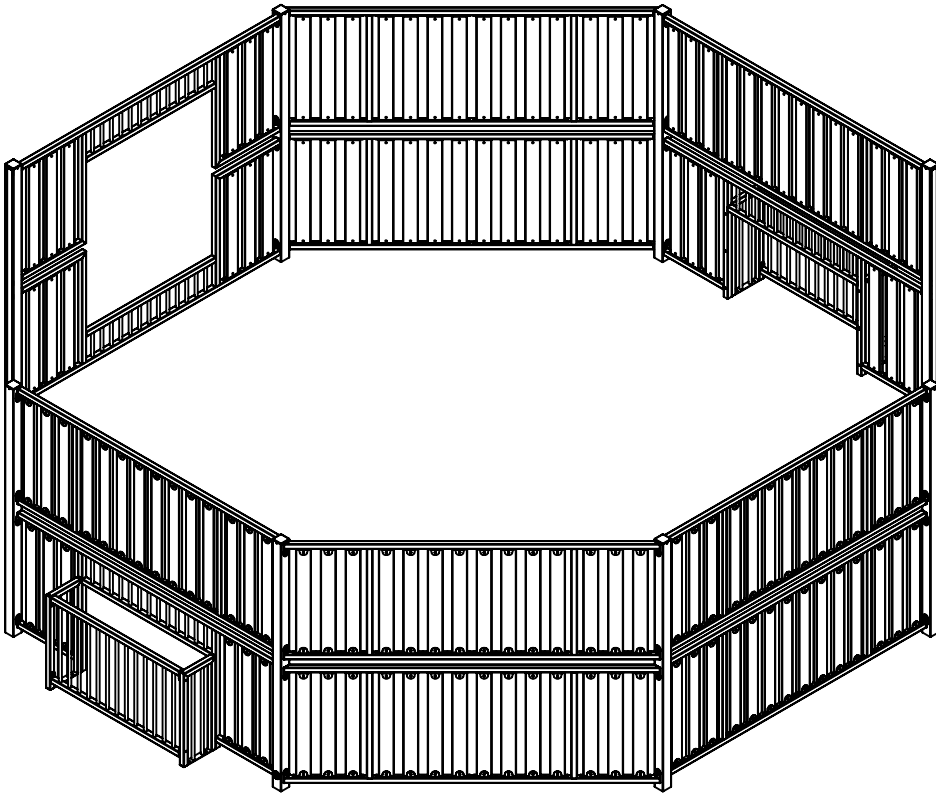
G



Q

E

240606-002

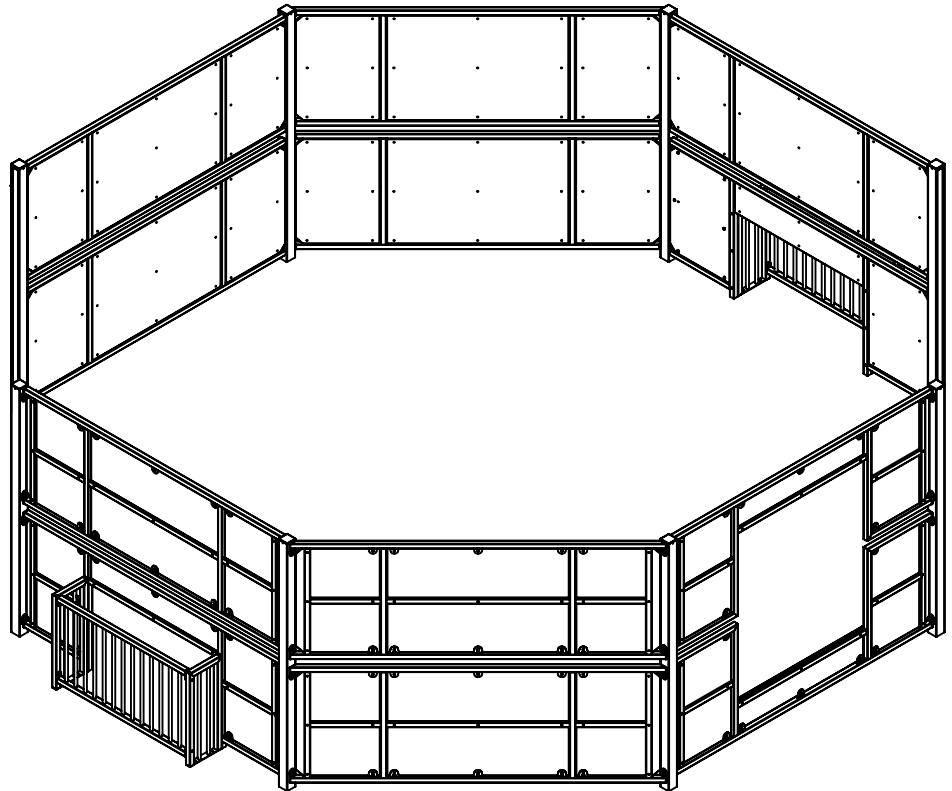
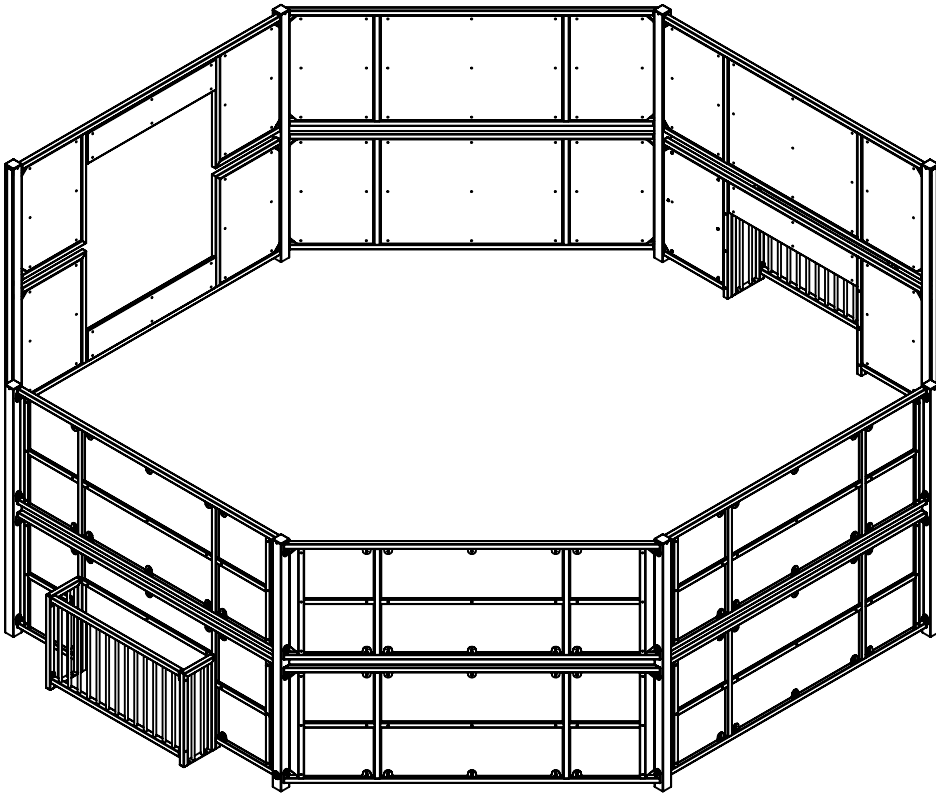


[cm]

vinci
play

G

240606-002

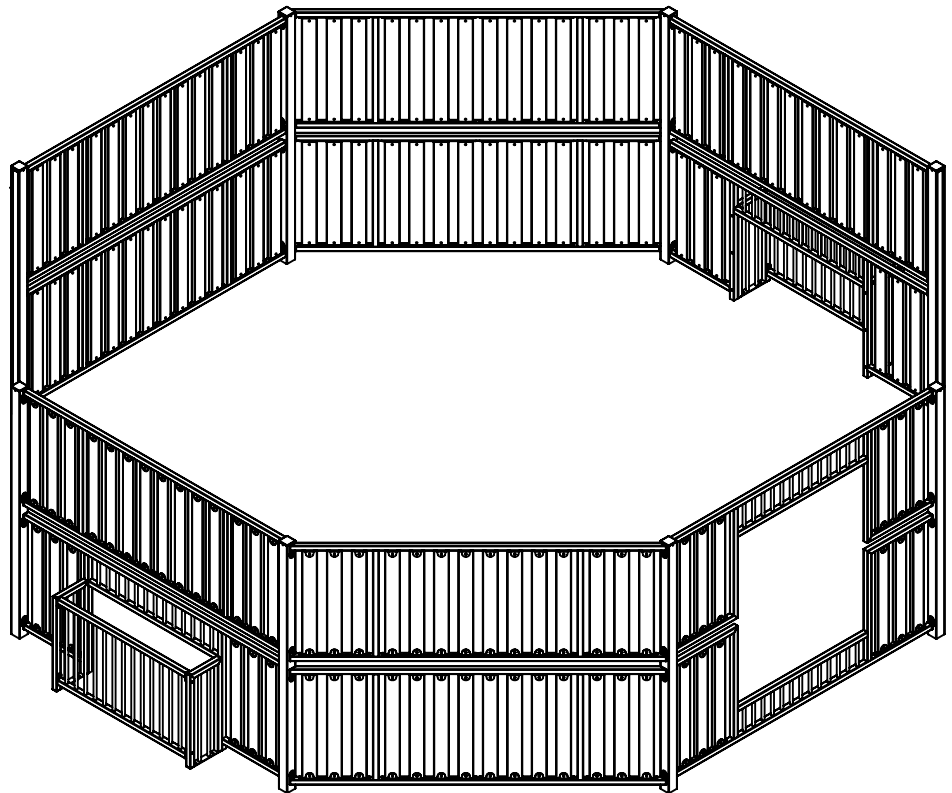
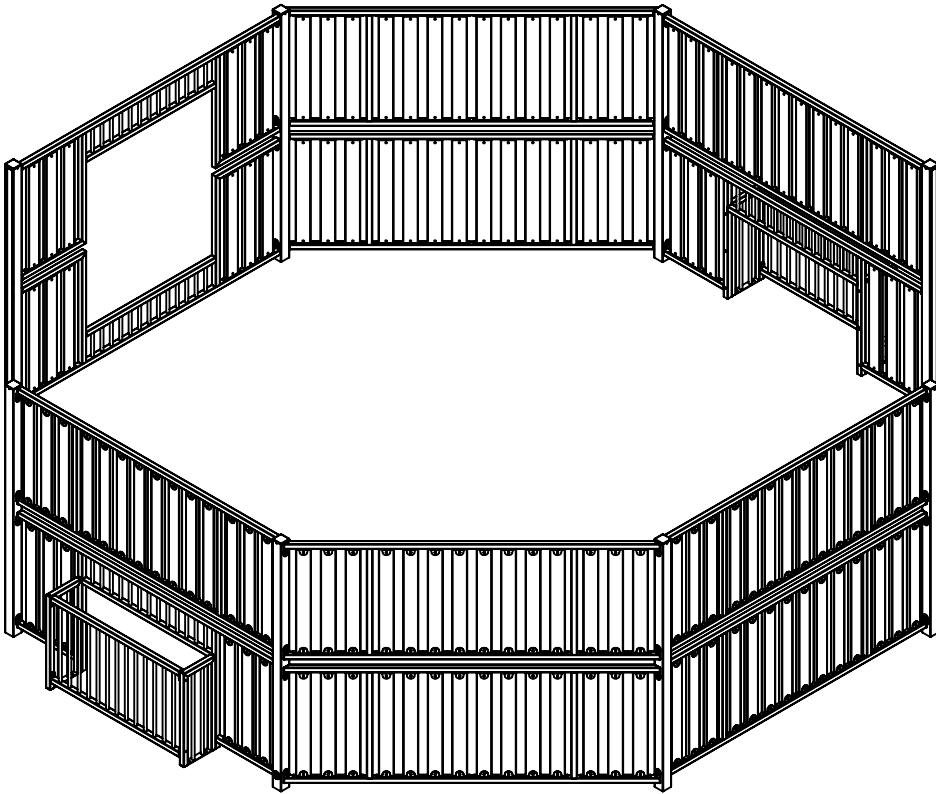


[cm]

vinci
play

Q

240606-002

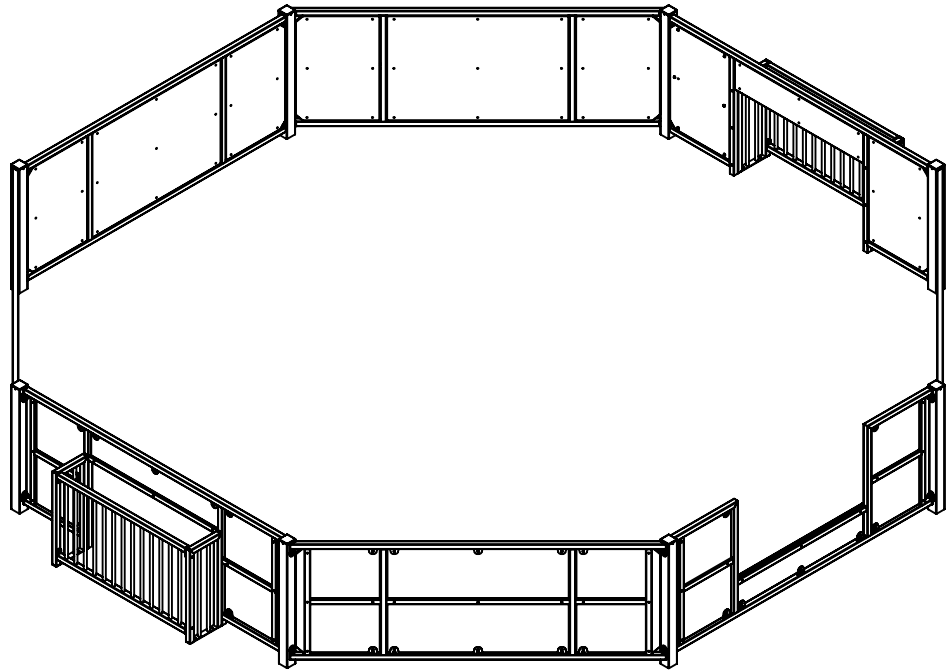
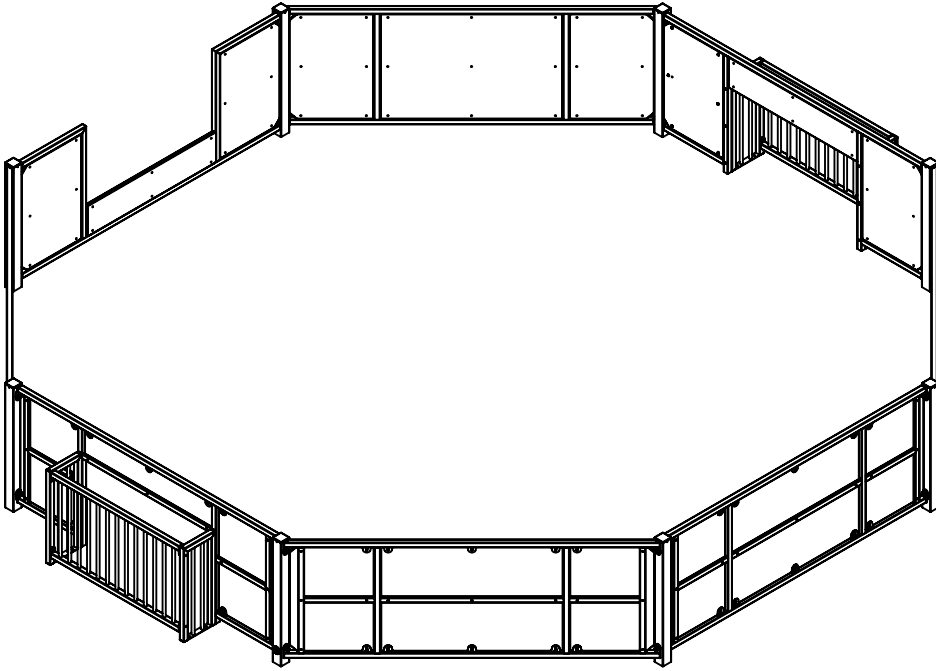


[cm]

vinci
play

E

240606-001

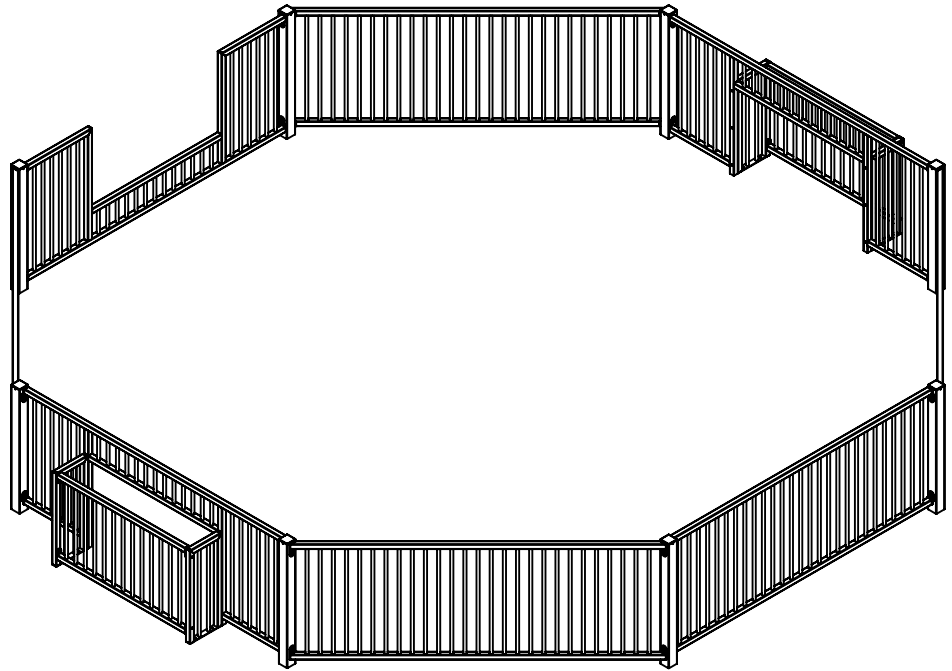
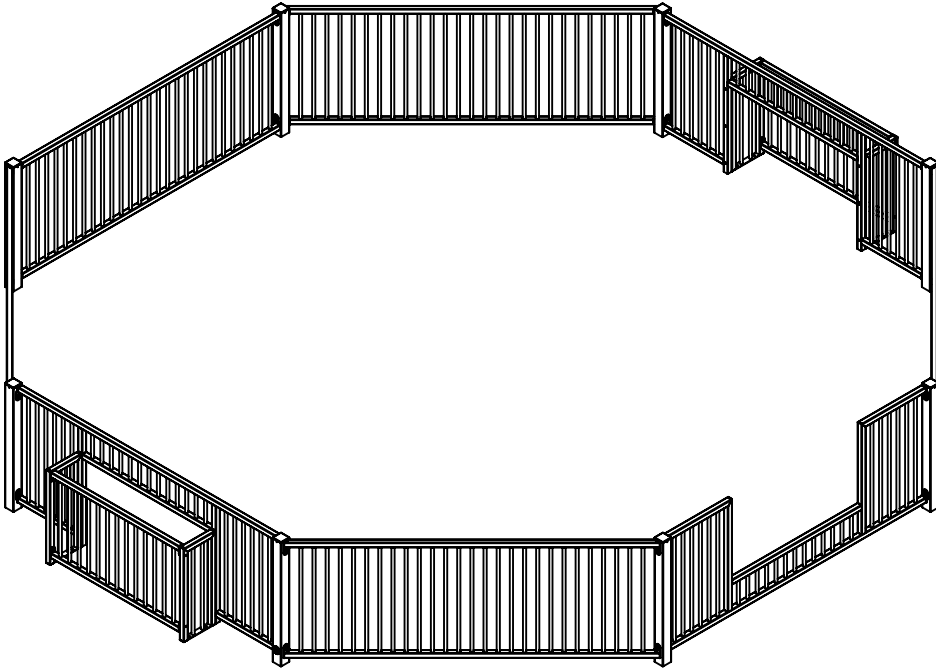


[cm]

vinci
play

G

240606-001

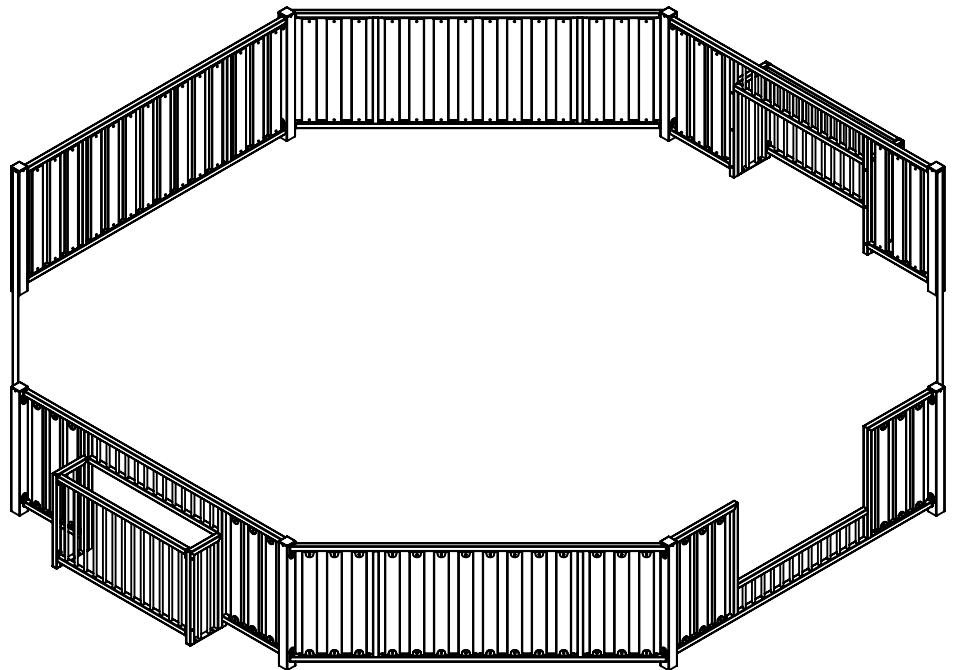
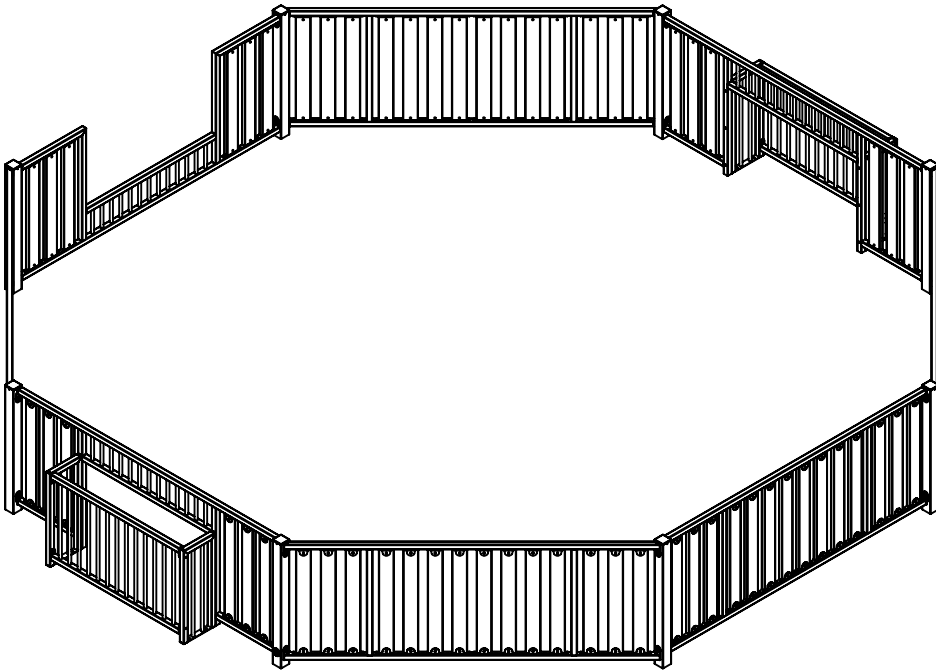


[cm]

vinci
play

Q

240606-001



[cm]

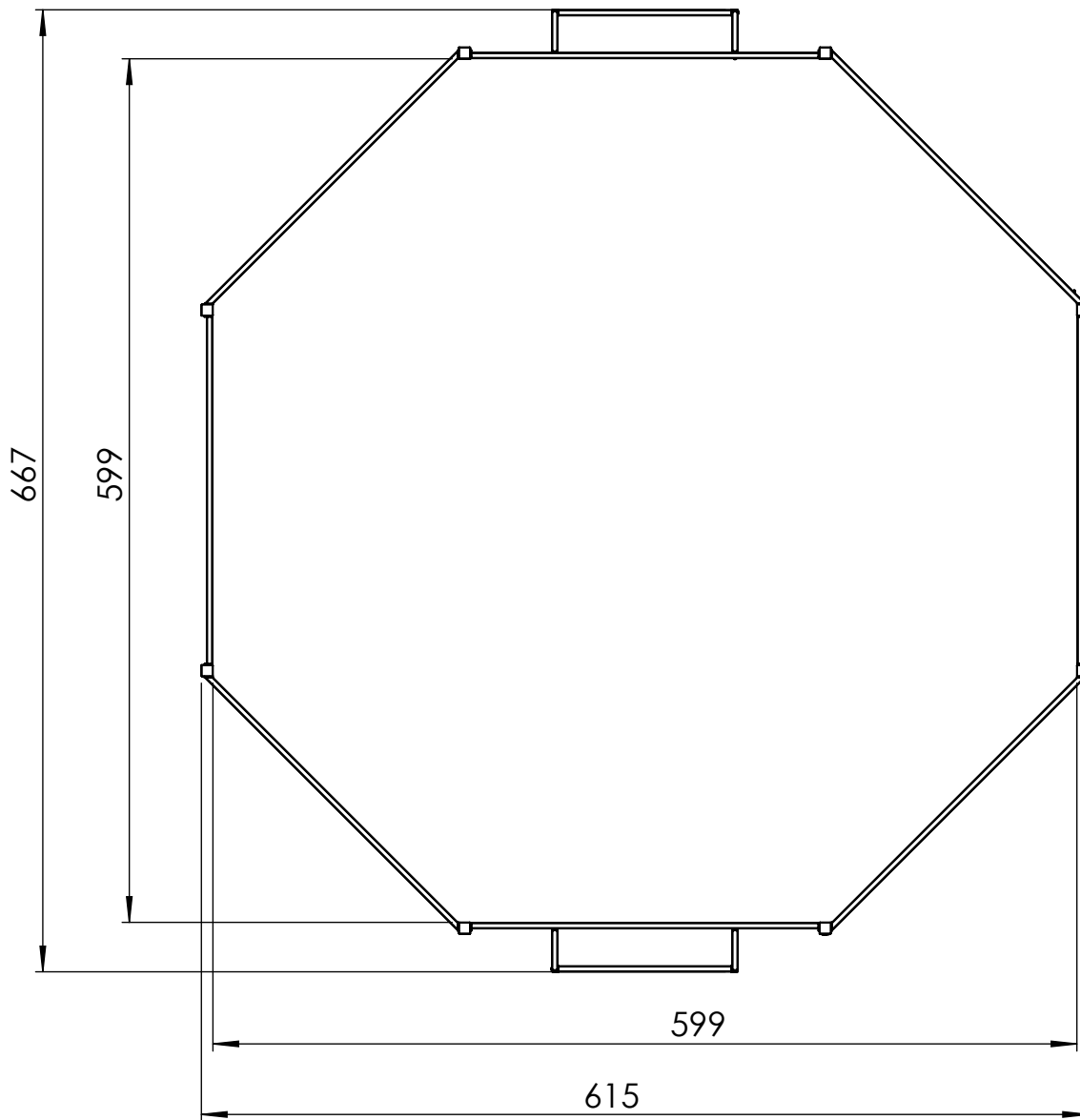
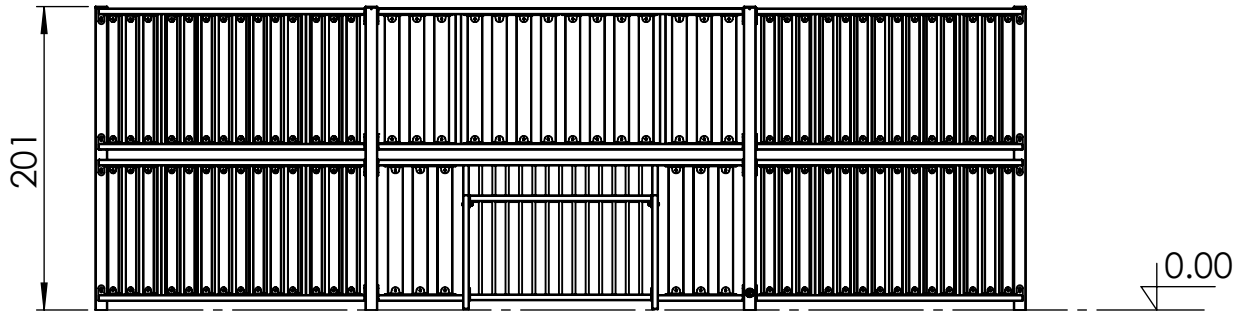
vinci
play

E

G

Q

240606-002



[cm]

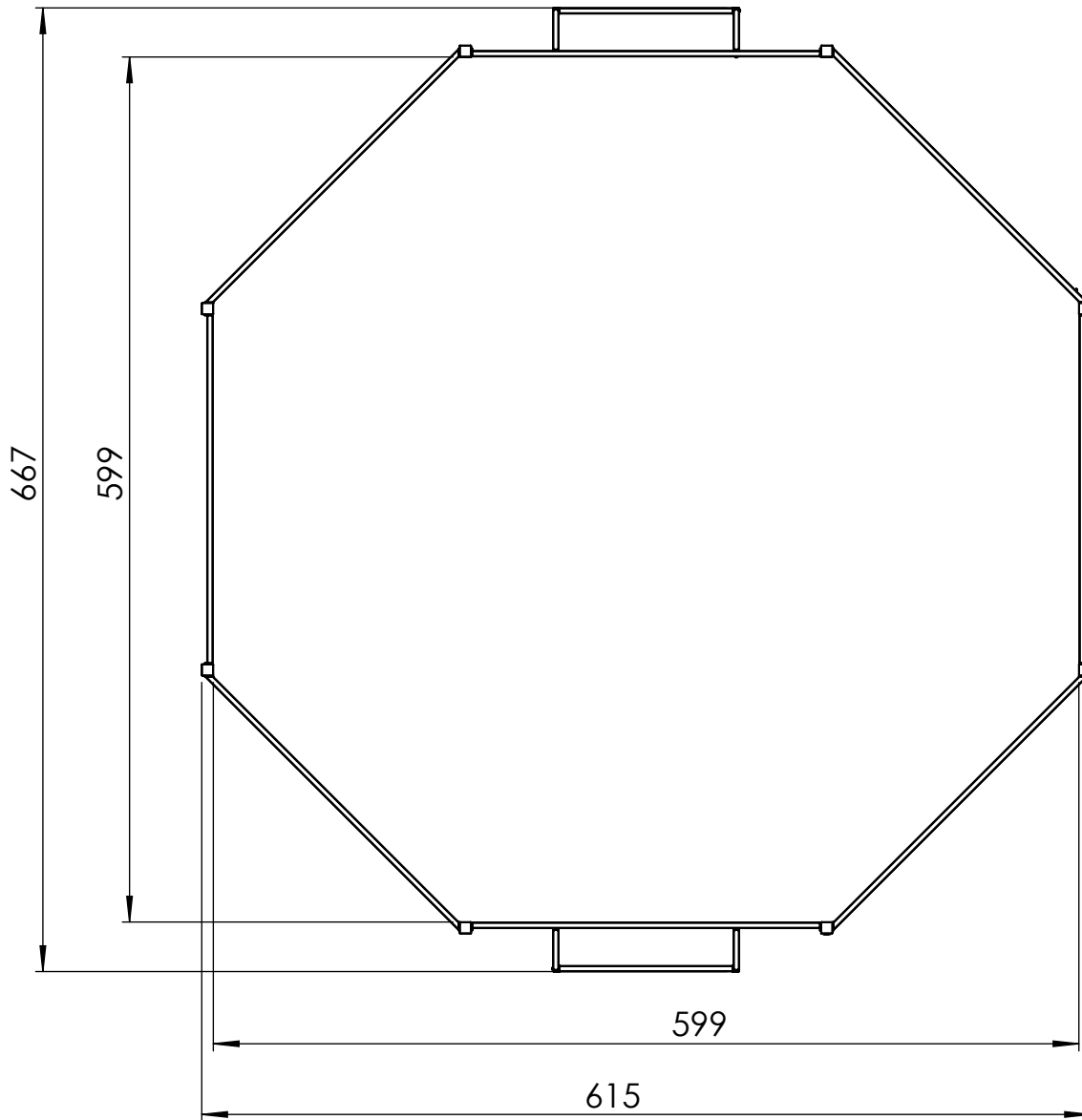
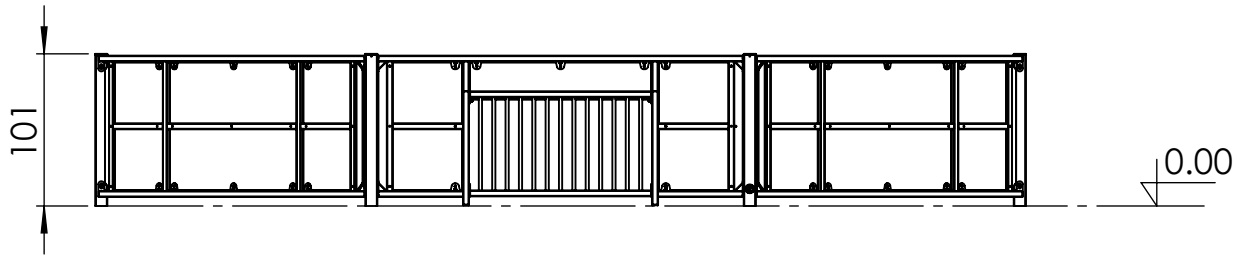
vinci
play

E

G

Q

240606-001



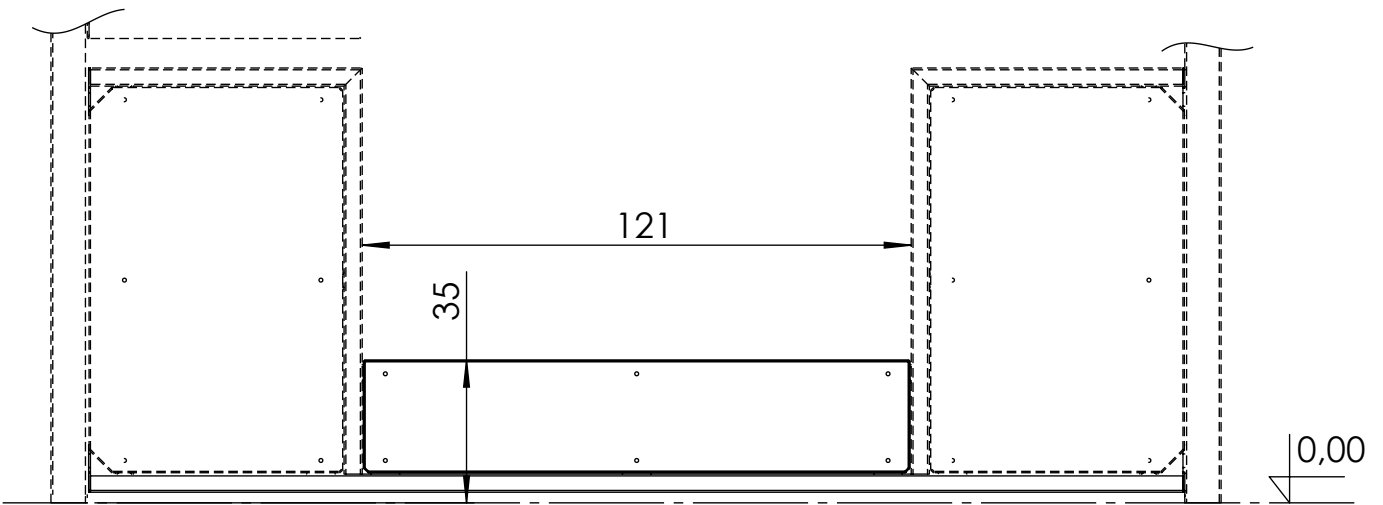
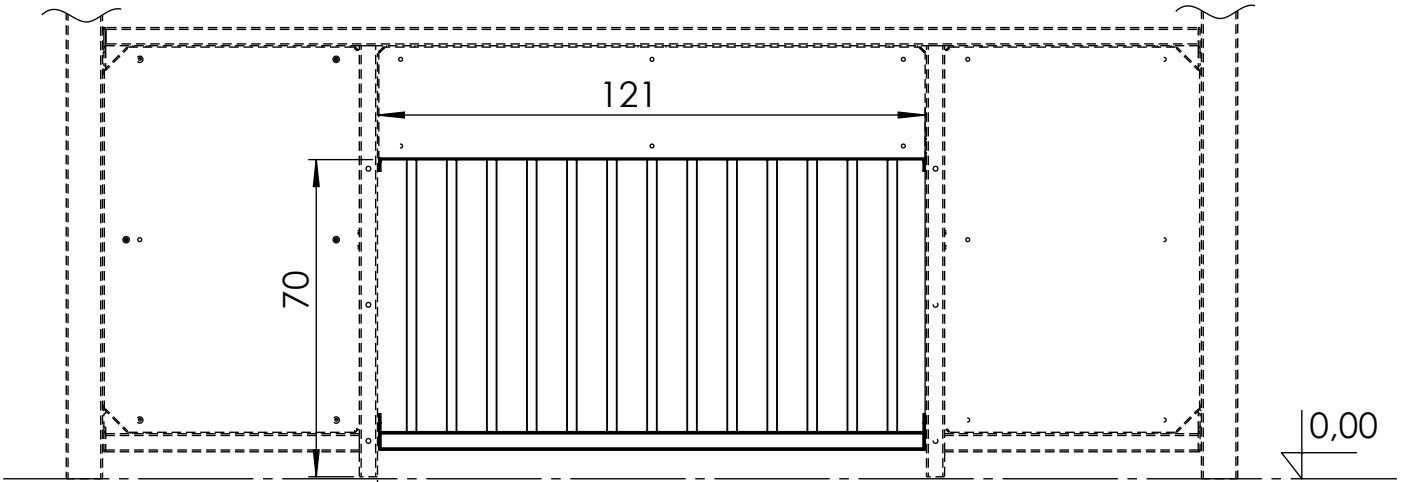
[cm]

vinci
play

E

G

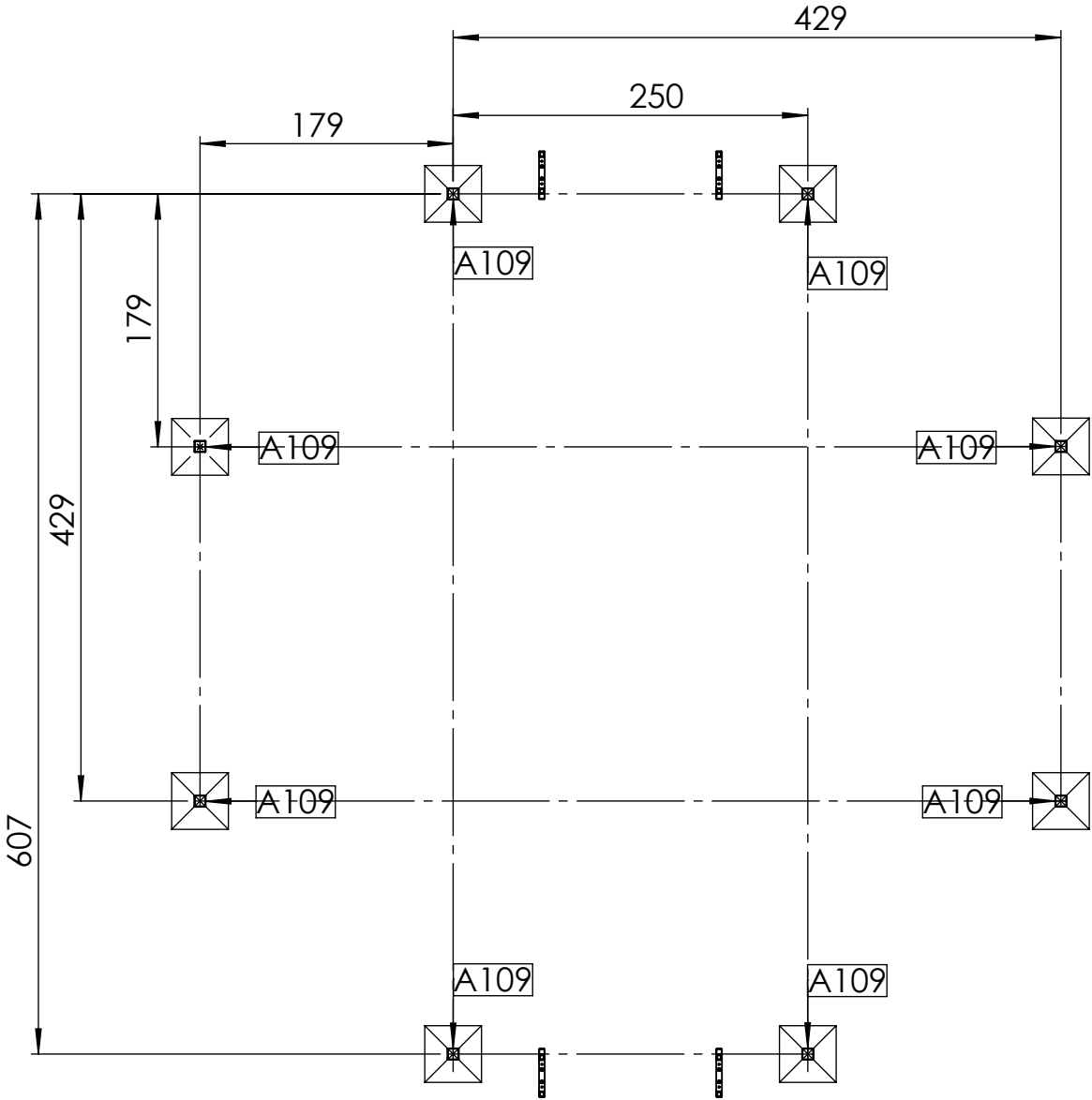
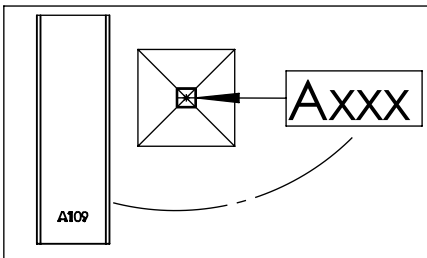
Q



[cm]

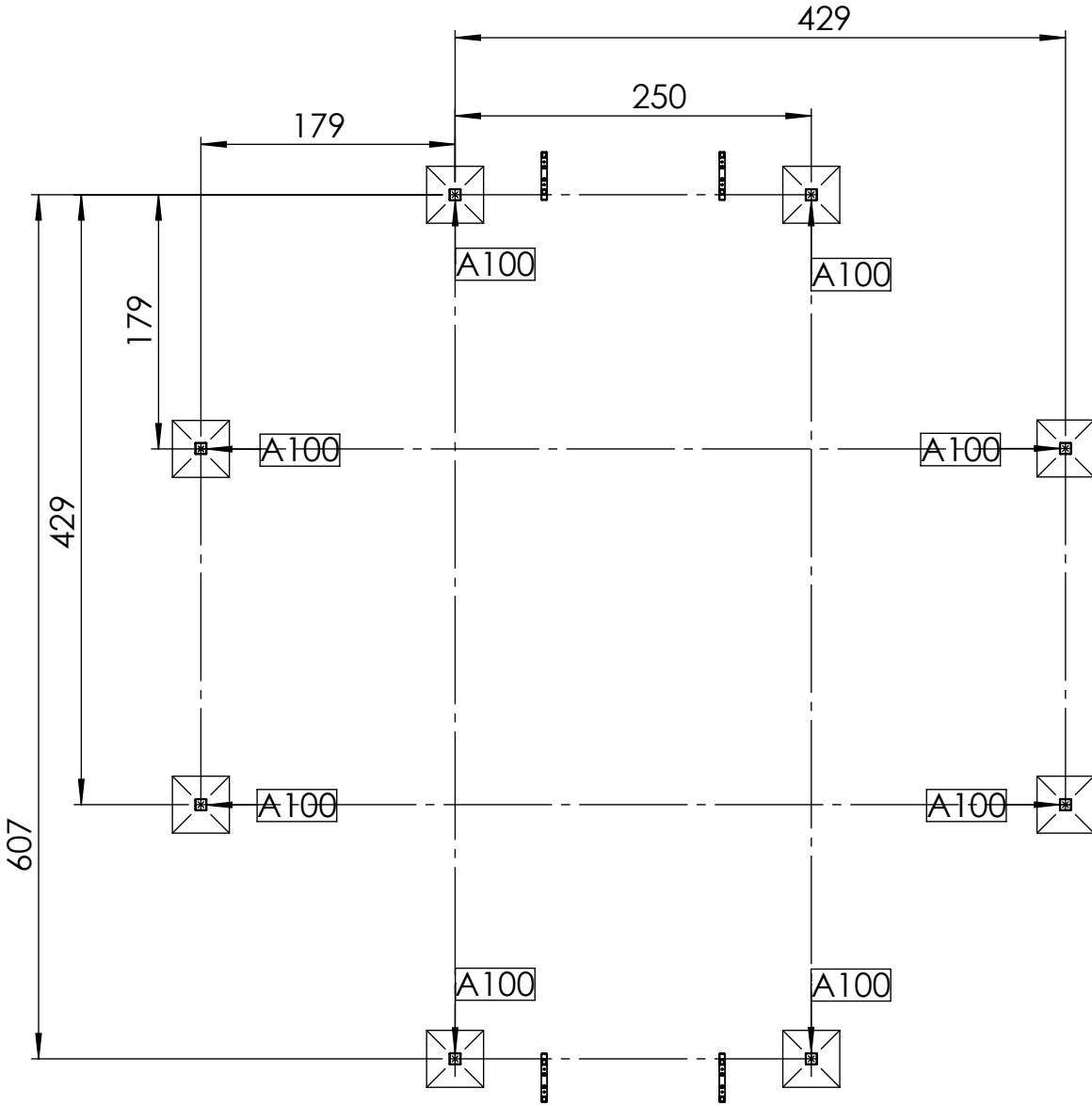
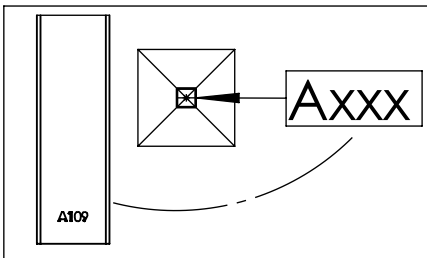
vinci
play

240606-002



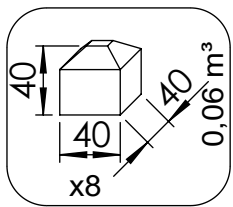
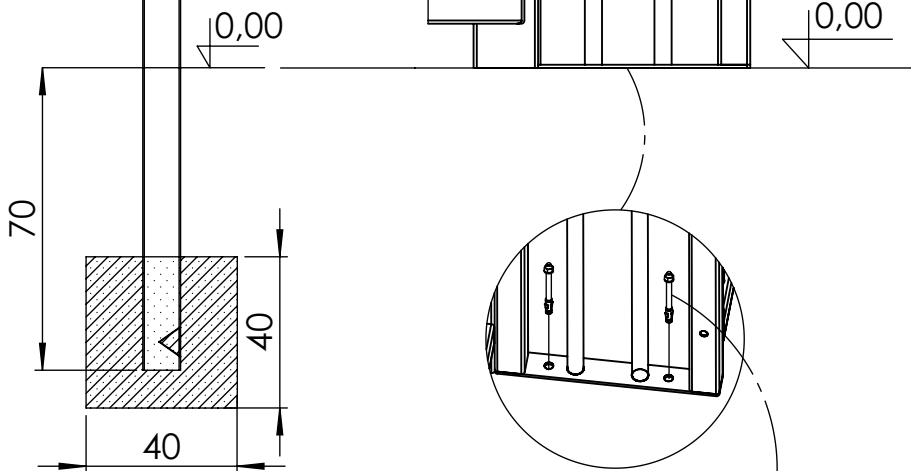
[cm]

240606-001



(K4)

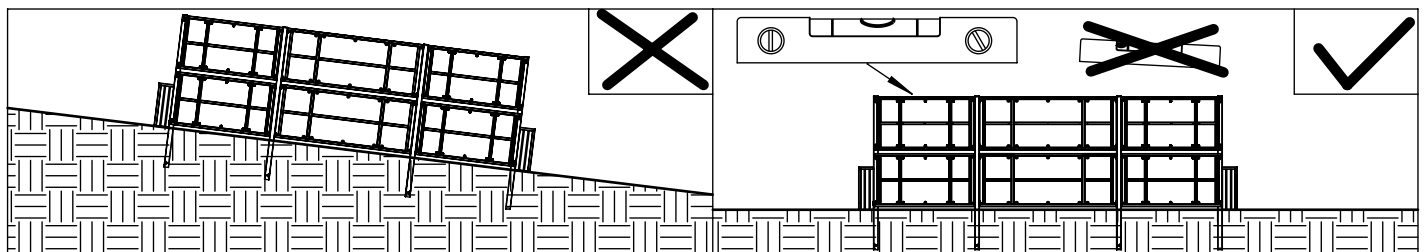
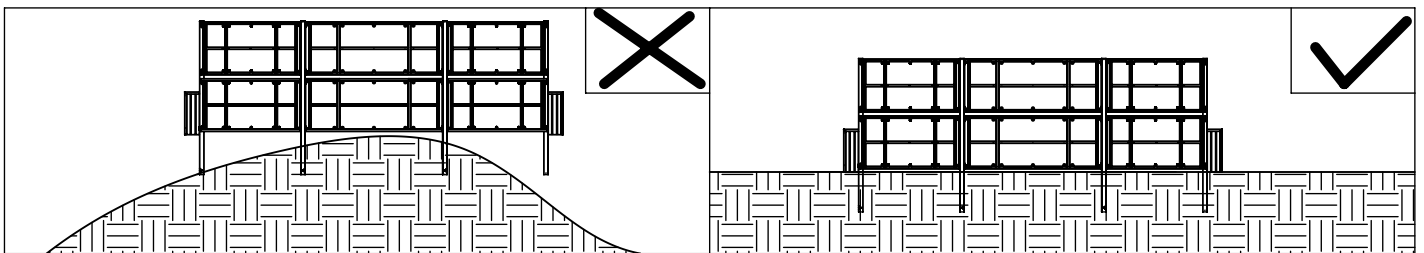
(K23)



8x M12x120 (K4)



NOT INCLUDED



[cm]

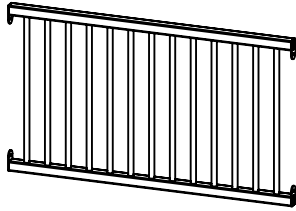
vinci
play

240606-002

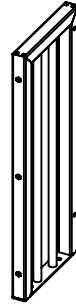
ST	
16	24e001
2	24e002
12	M10x60
12	D10pp
1	V003
1	GL



A109
x8

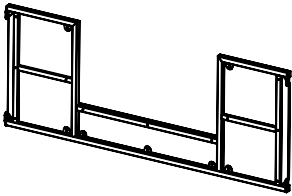


242106
x2

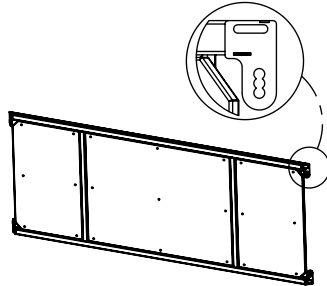


242105
x4

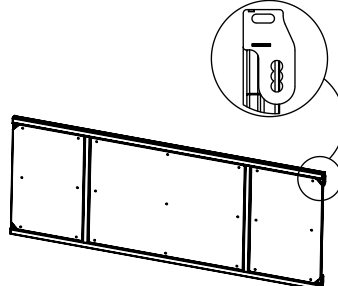
E



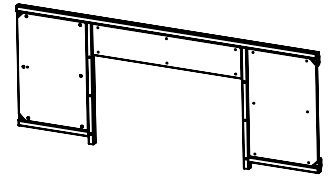
244104
x2



244103
x8

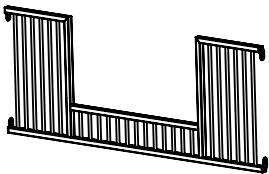


244102
x4

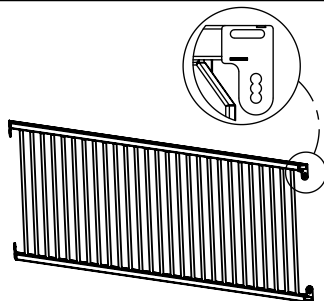


244100
x2

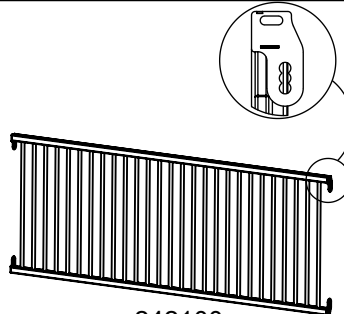
G



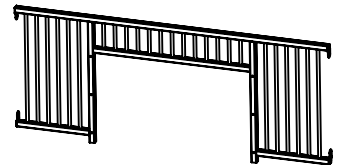
242117
x2



242101
x8

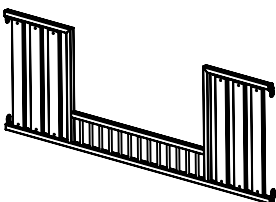


242100
x4

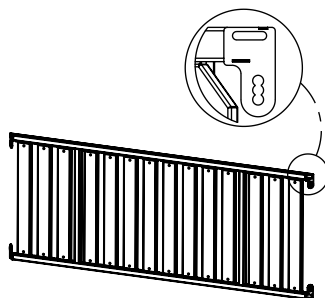


242116
x2

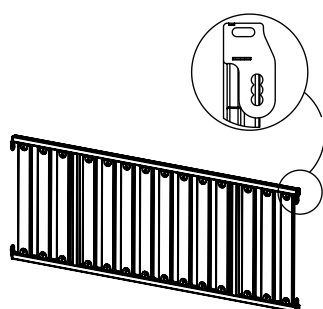
Q



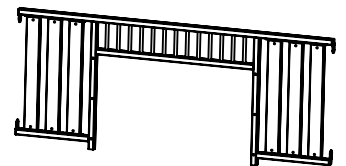
244107
x2



244108
x8



244105
x4



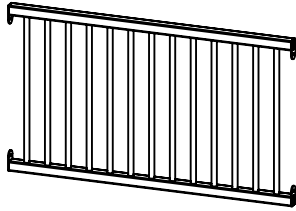
244106
x2

240606-001

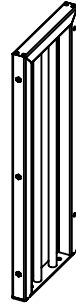
ST	
7	24e001
2	24e002
12	M10x60
12	D10pp
1	V003
1	GL



A100
x8

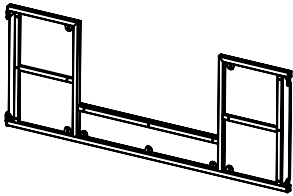


242106
x2

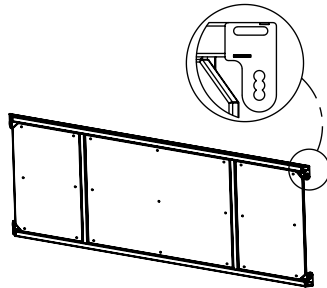


242105
x4

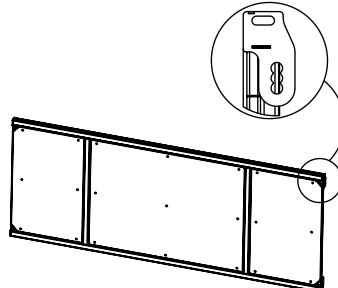
E



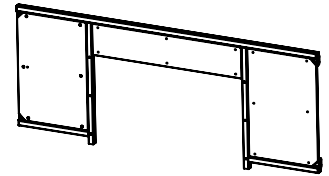
244104
x1



244103
x4

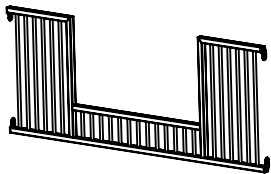


244102
x1

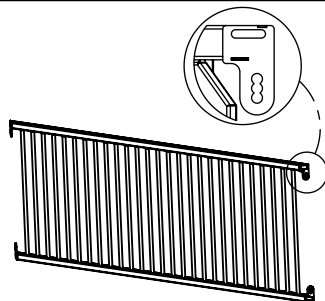


244100
x1

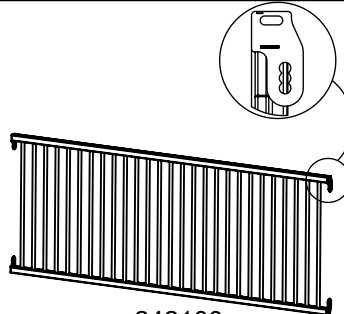
G



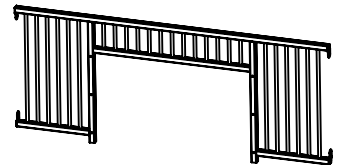
242117
x1



242101
x4

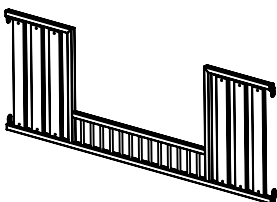


242100
x1

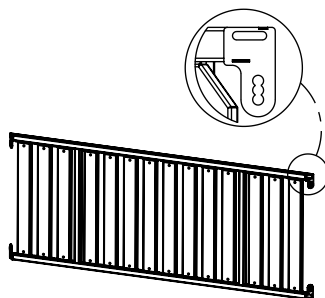


242116
x1

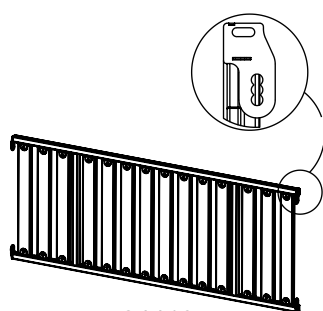
Q



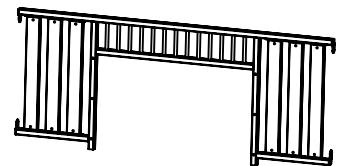
244107
x1



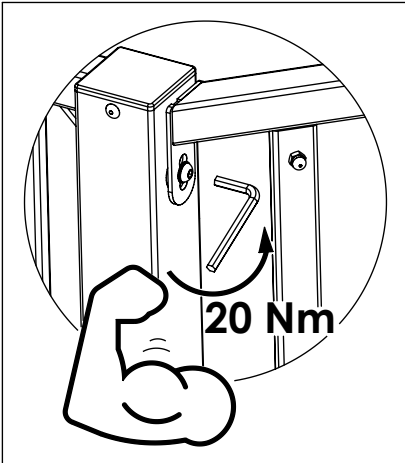
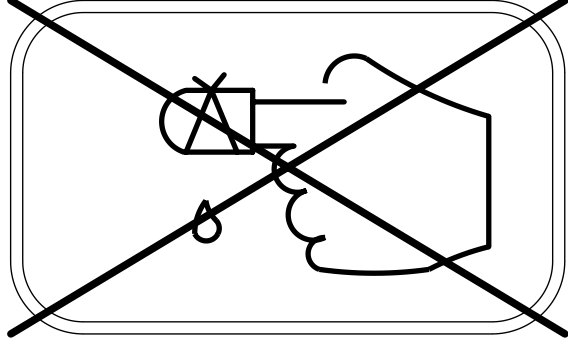
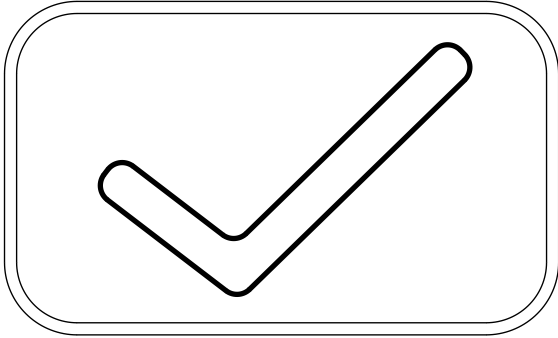
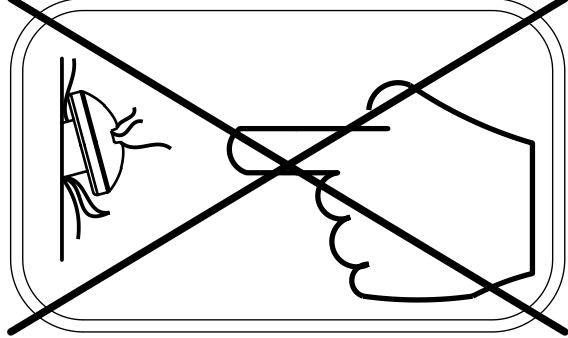
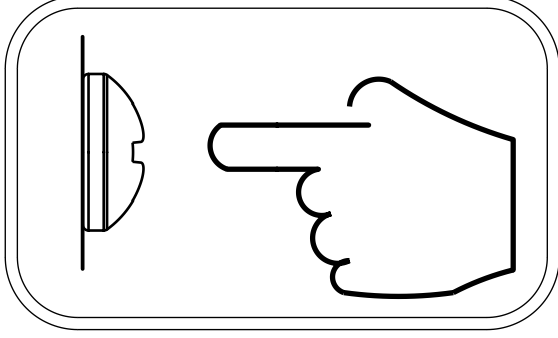
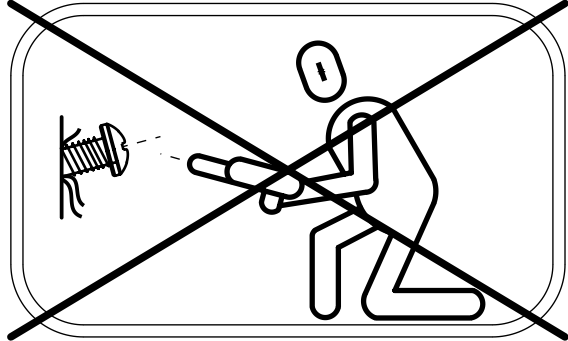
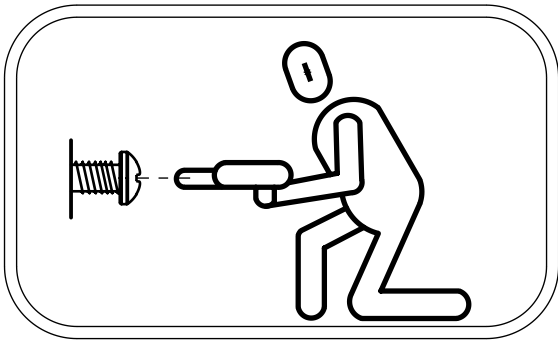
244108
x4



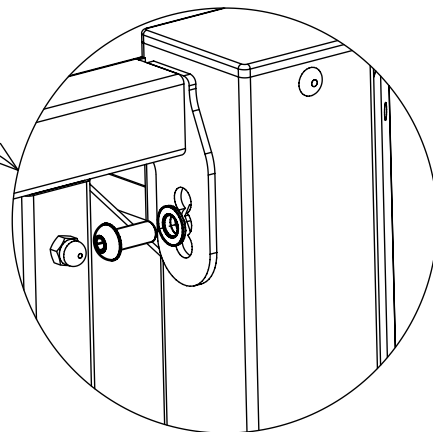
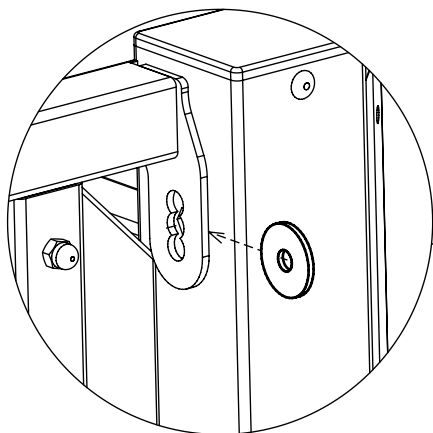
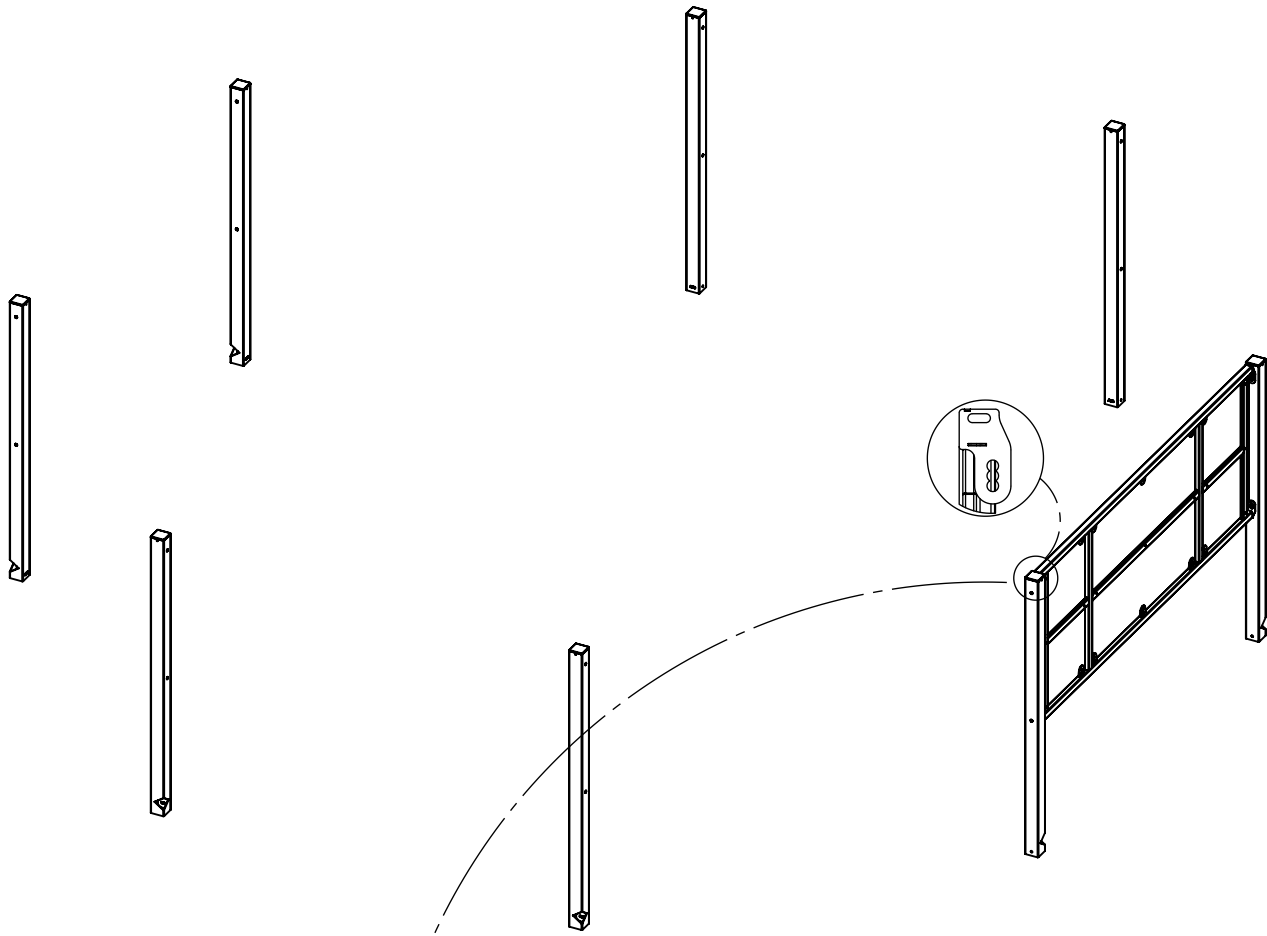
244105
x1



244106
x1



240606-001

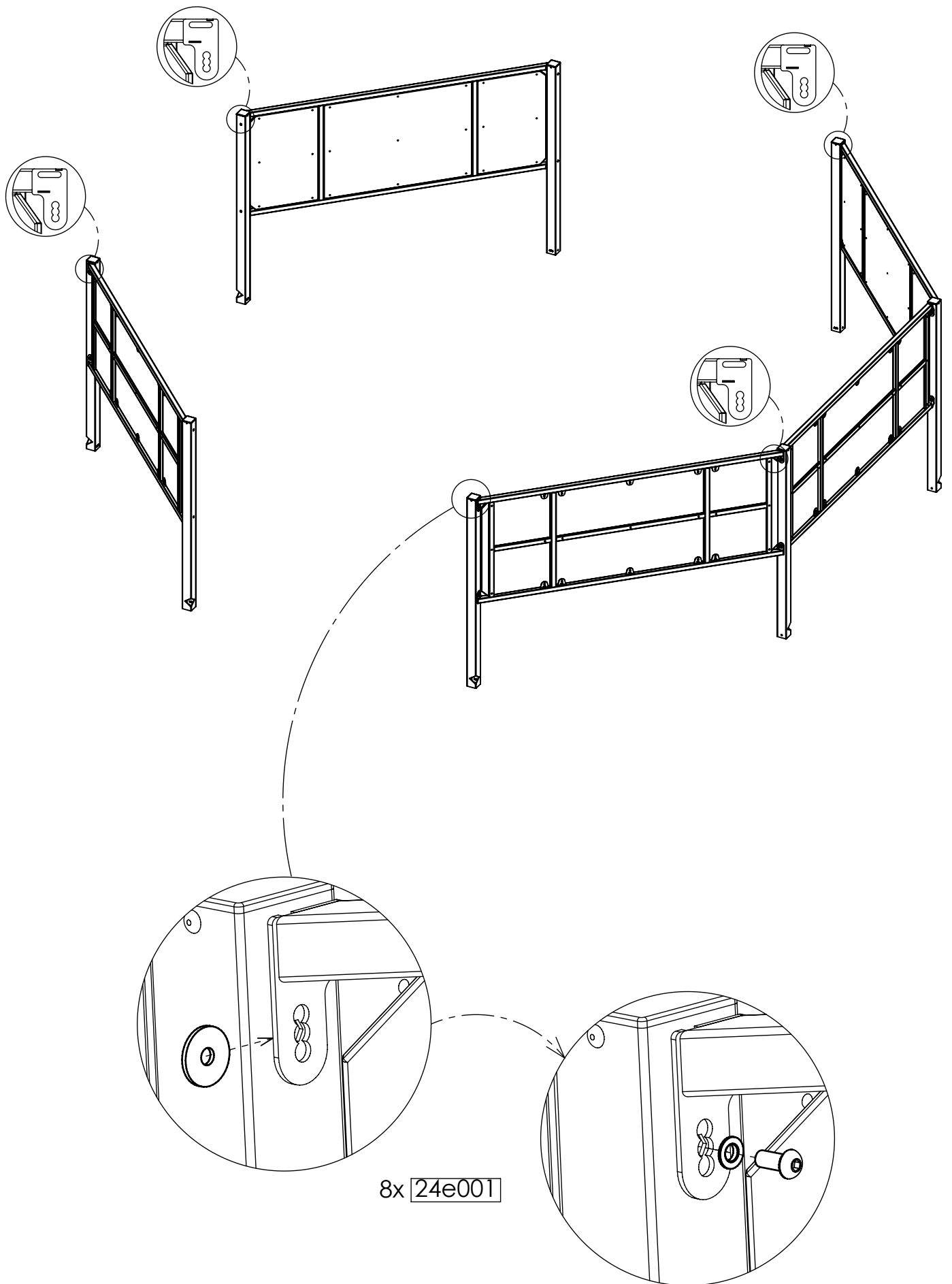


4x 24e001

[cm]

vinci
play

240606-001

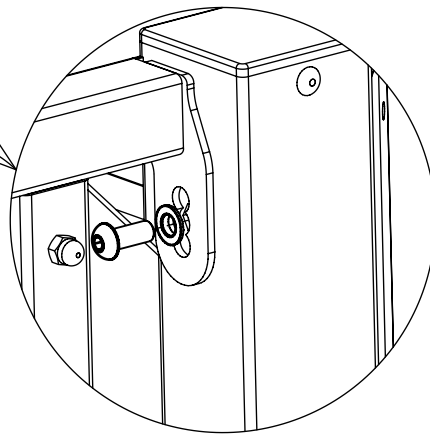
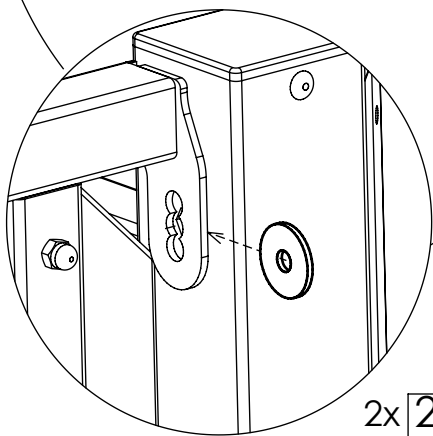
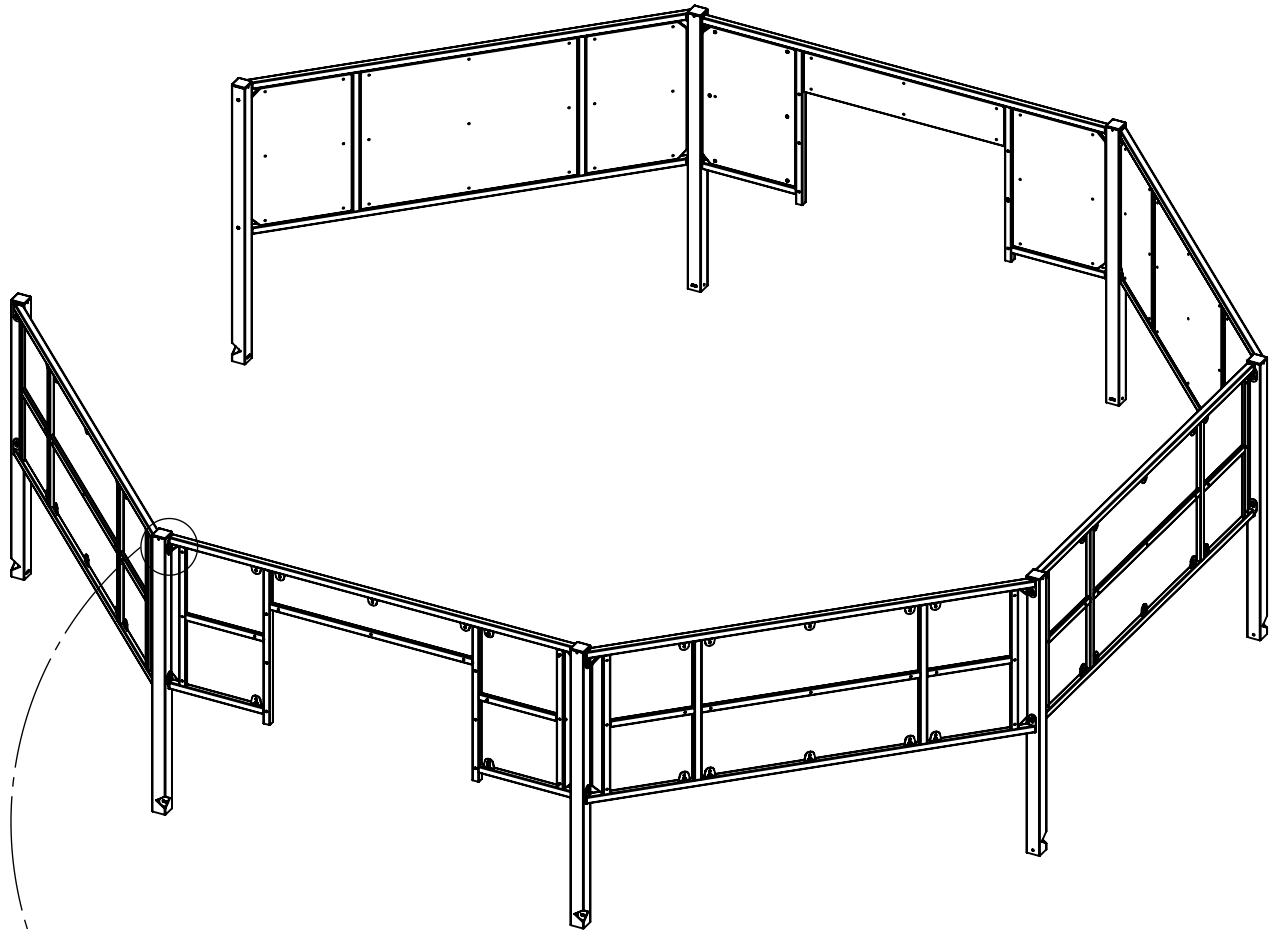


8x 24e001

[cm]

vinci
play

240606-001

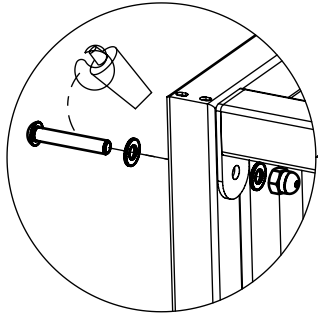


2x 24e001

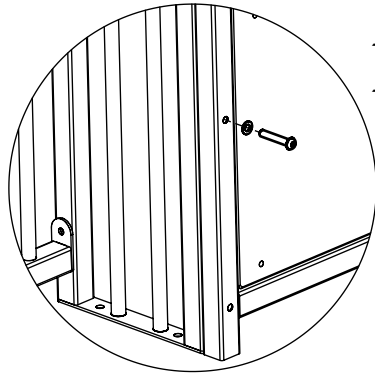
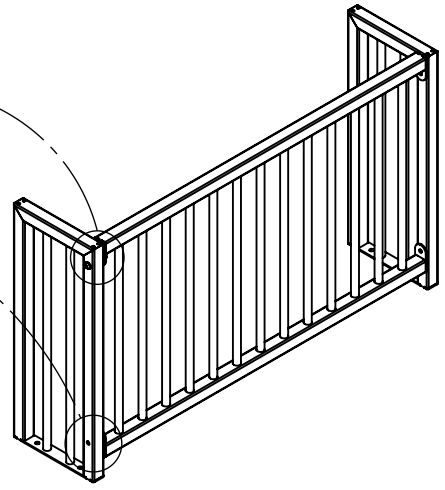
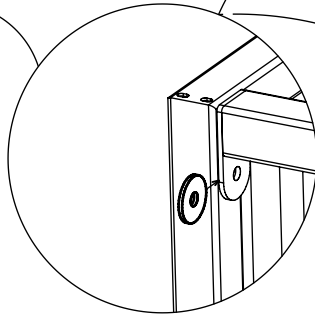
[cm]

vinci
play

240606-001

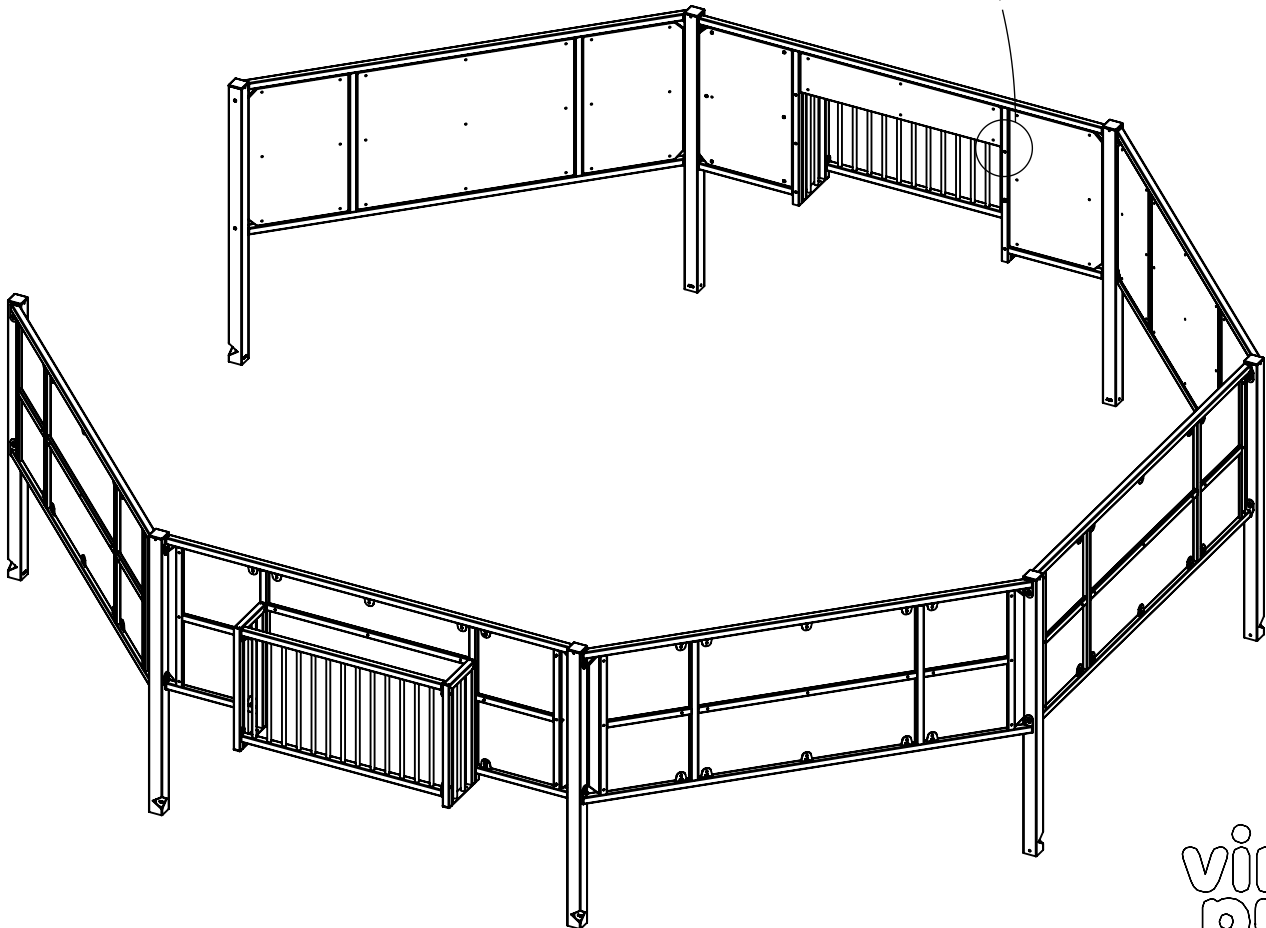


2x 24e002



12x M10x60

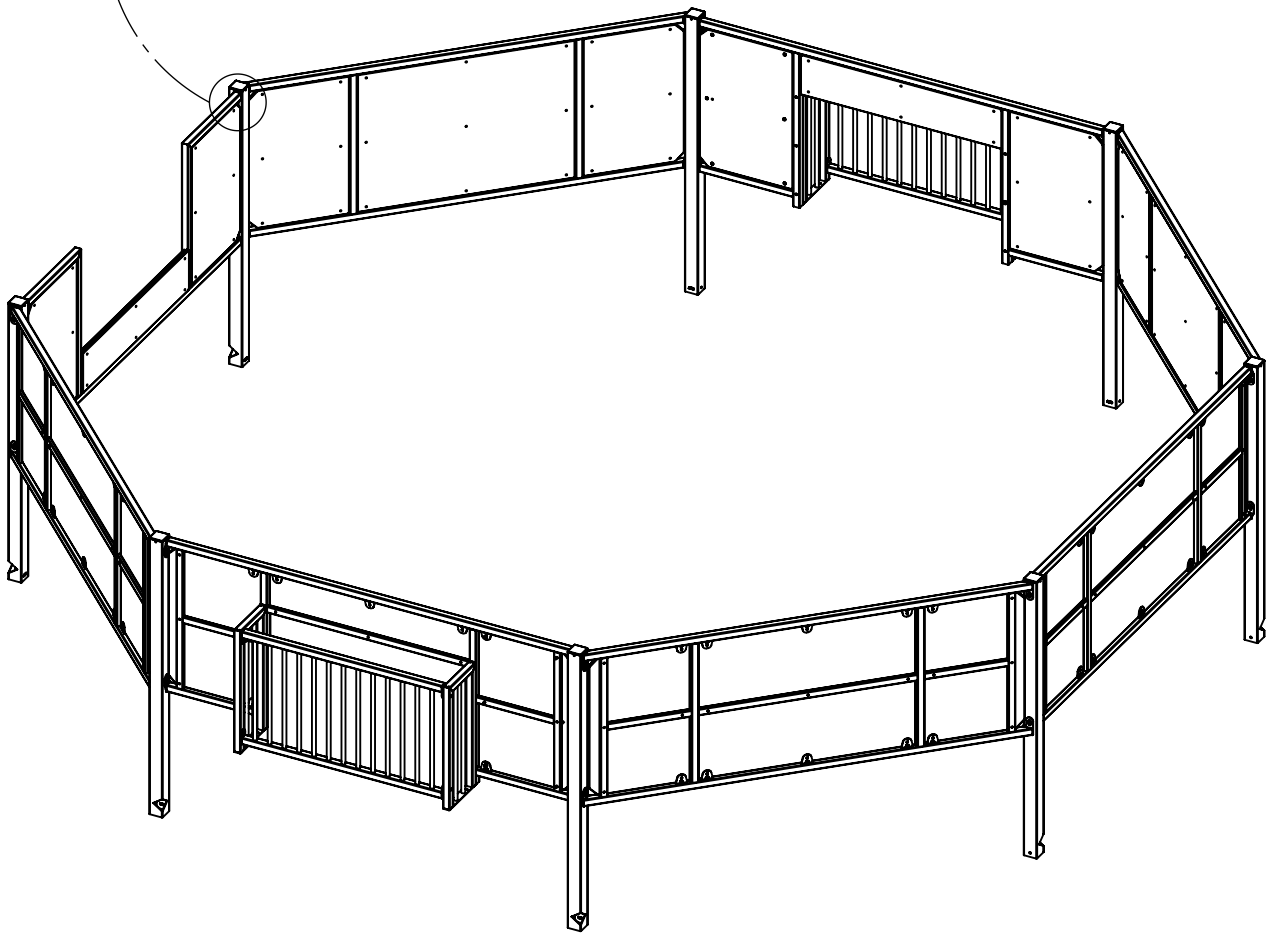
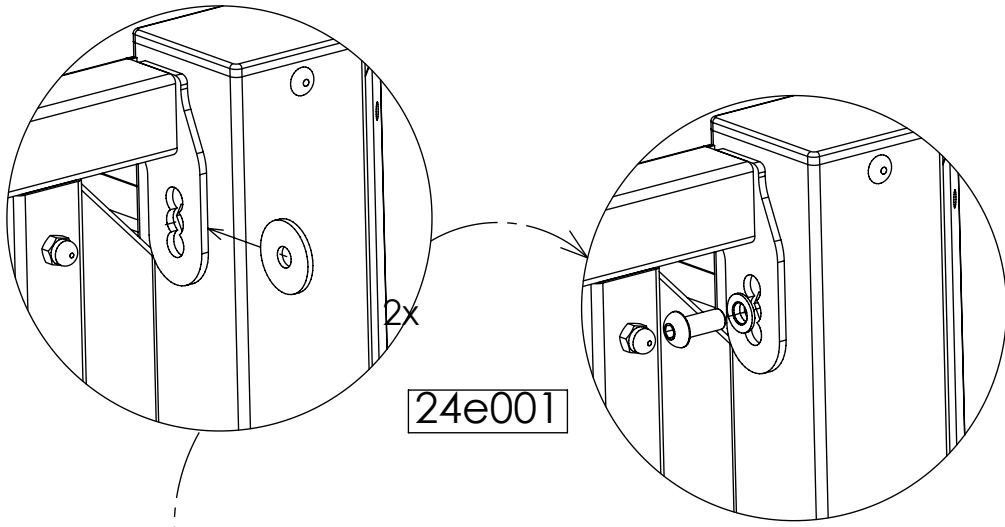
12x D10 pp



[cm]

vinci
play

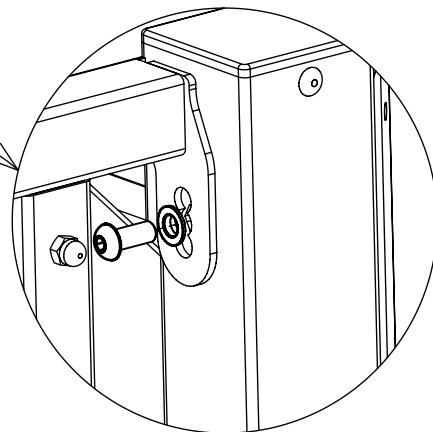
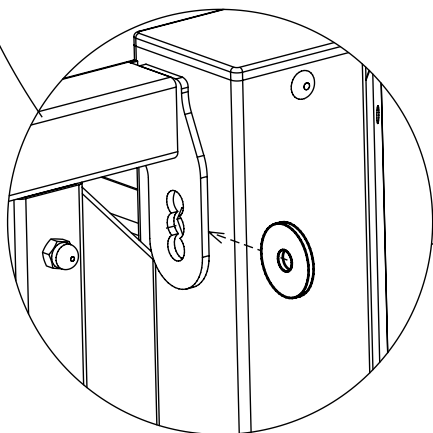
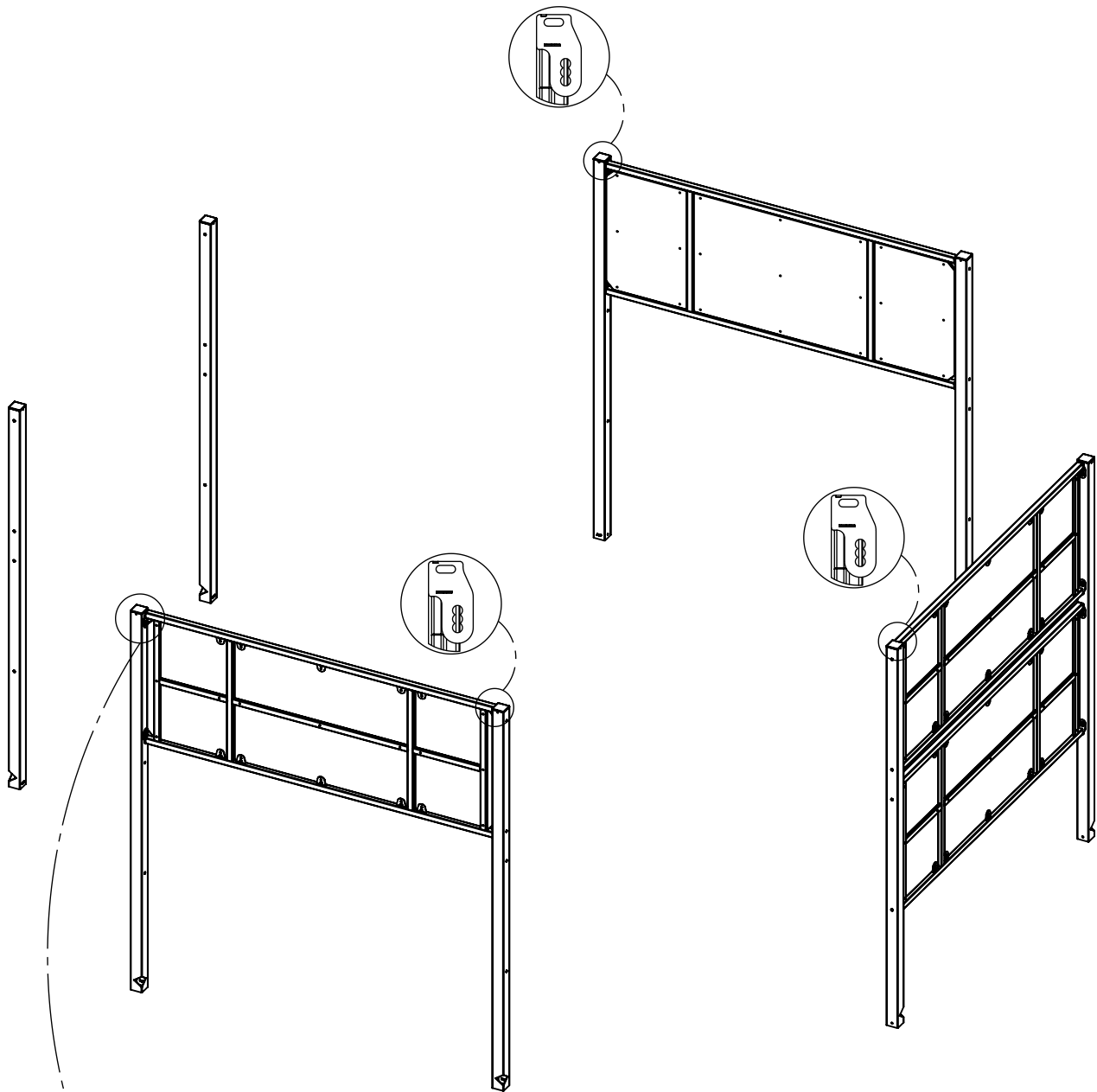
240606-001



[cm]

vinci
play

240606-002

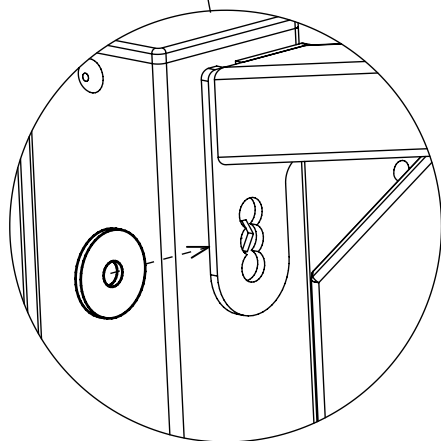
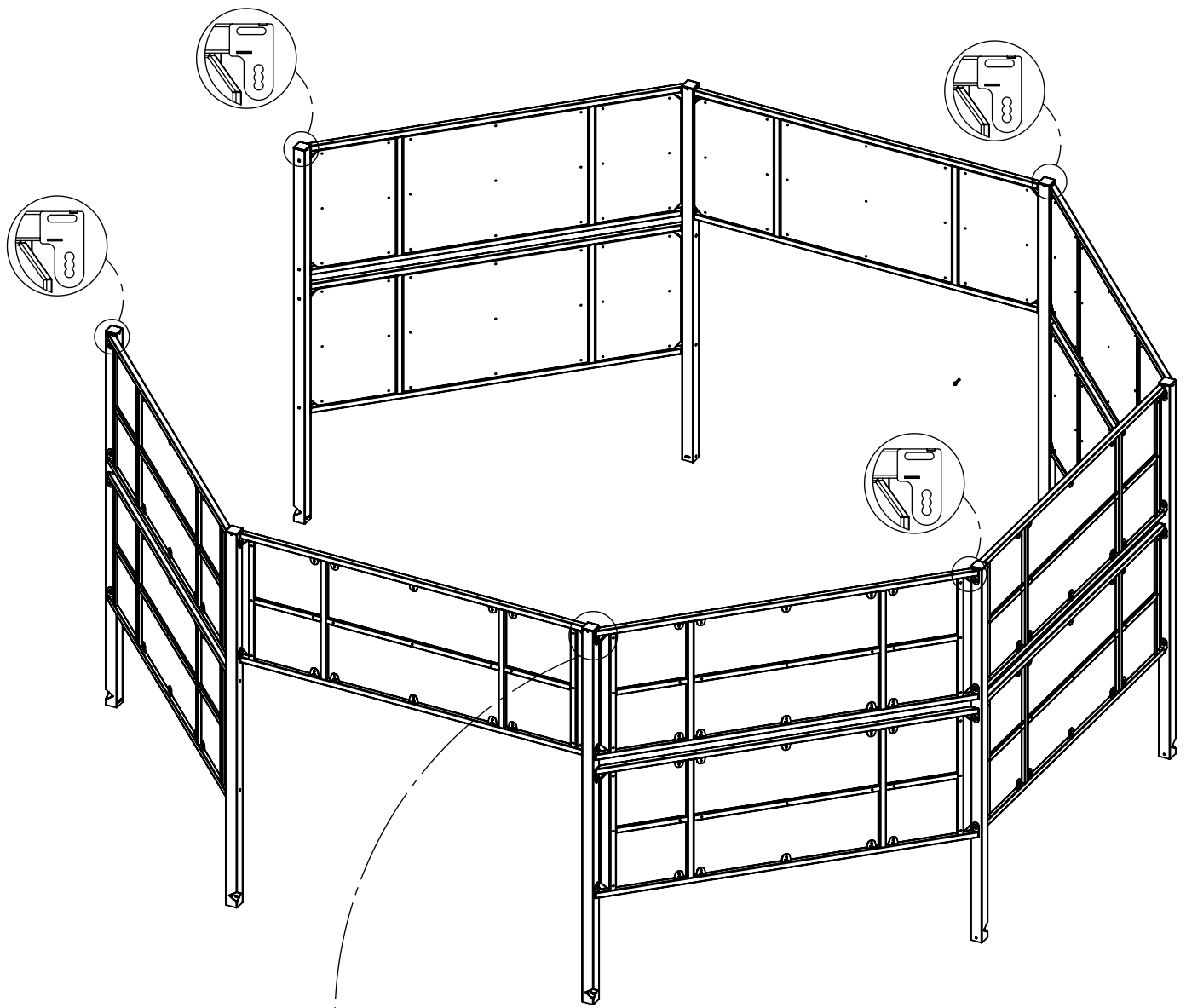


4x 24e001

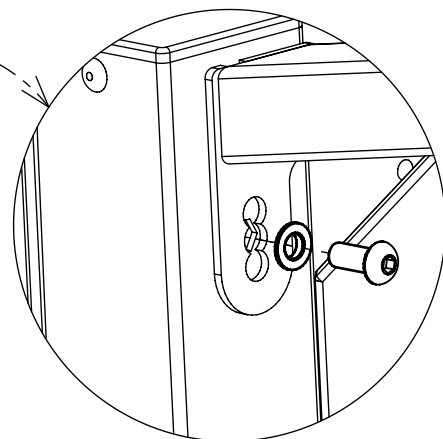
[cm]

vinci
play

240606-002



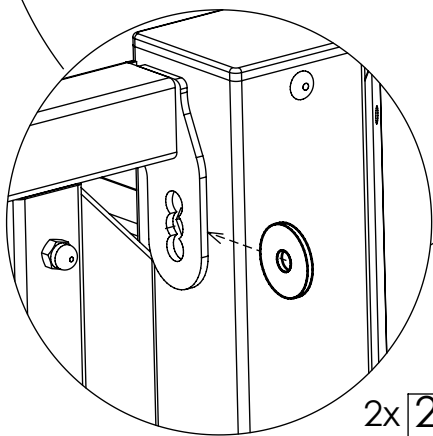
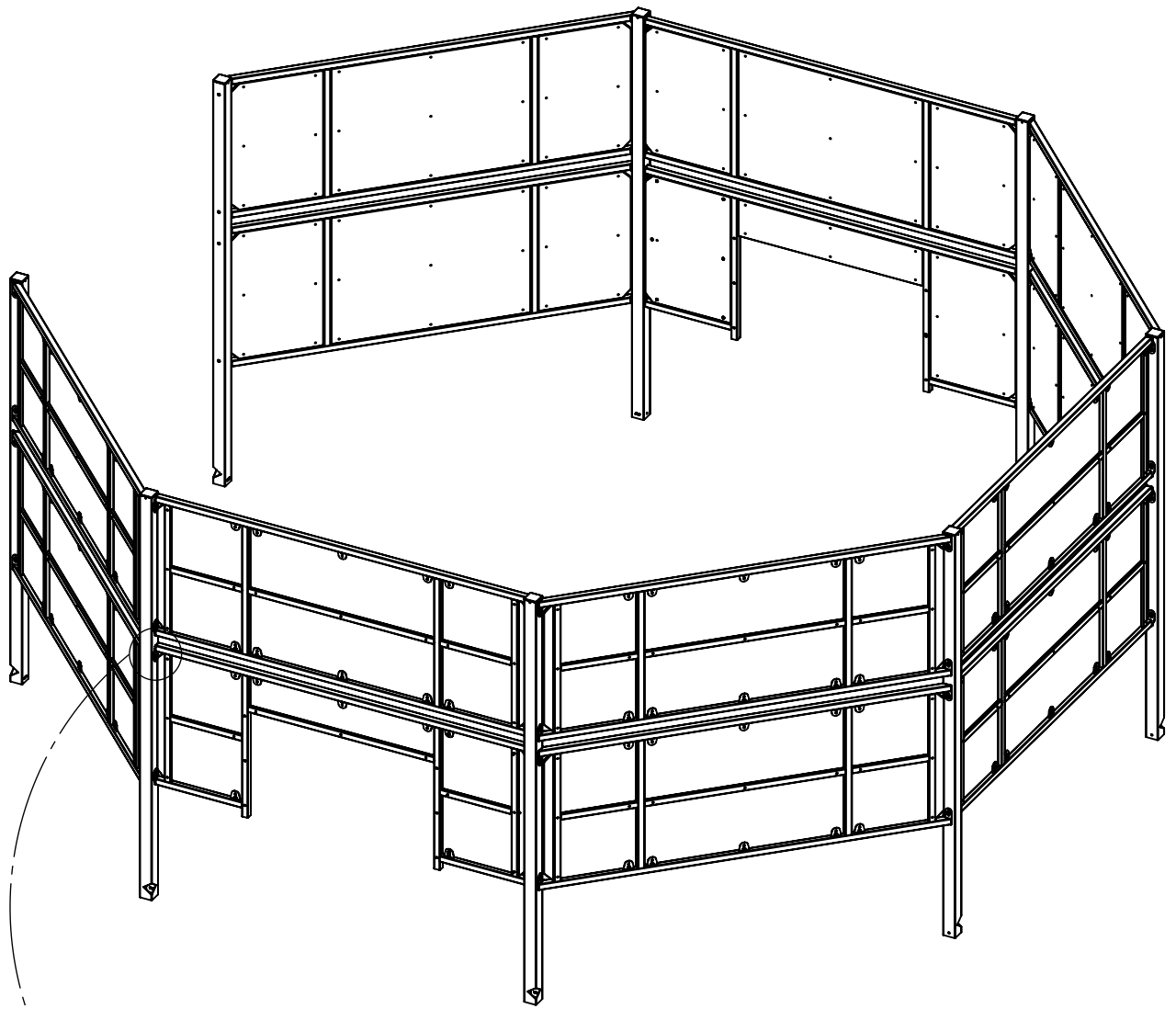
8x [24e00T]



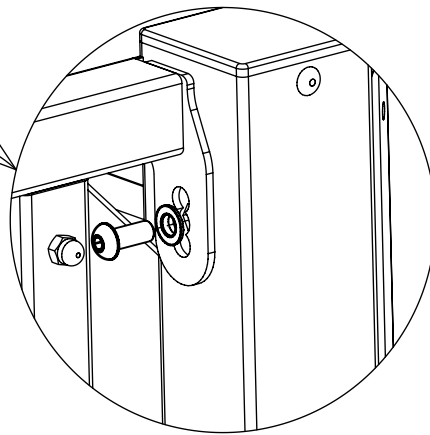
[cm]

vinci
play

240606-002



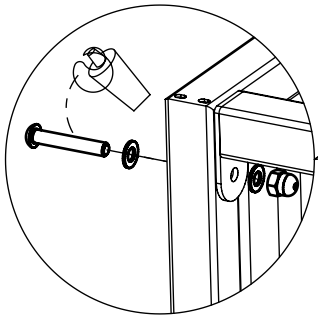
2x 24e001



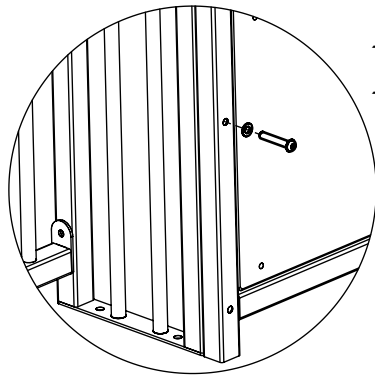
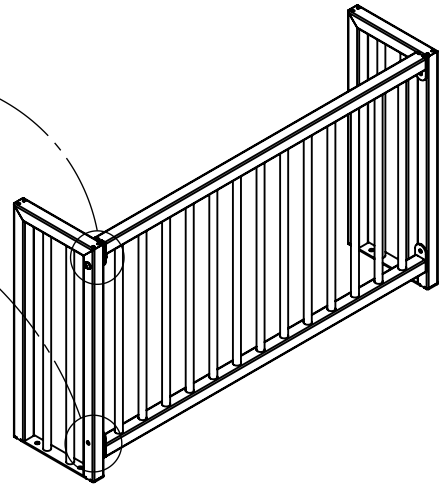
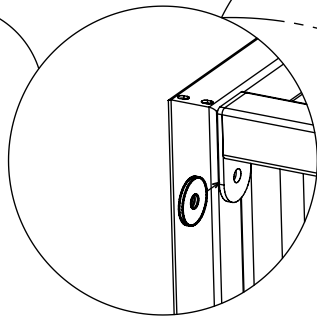
[cm]

vinci
play

240606-002

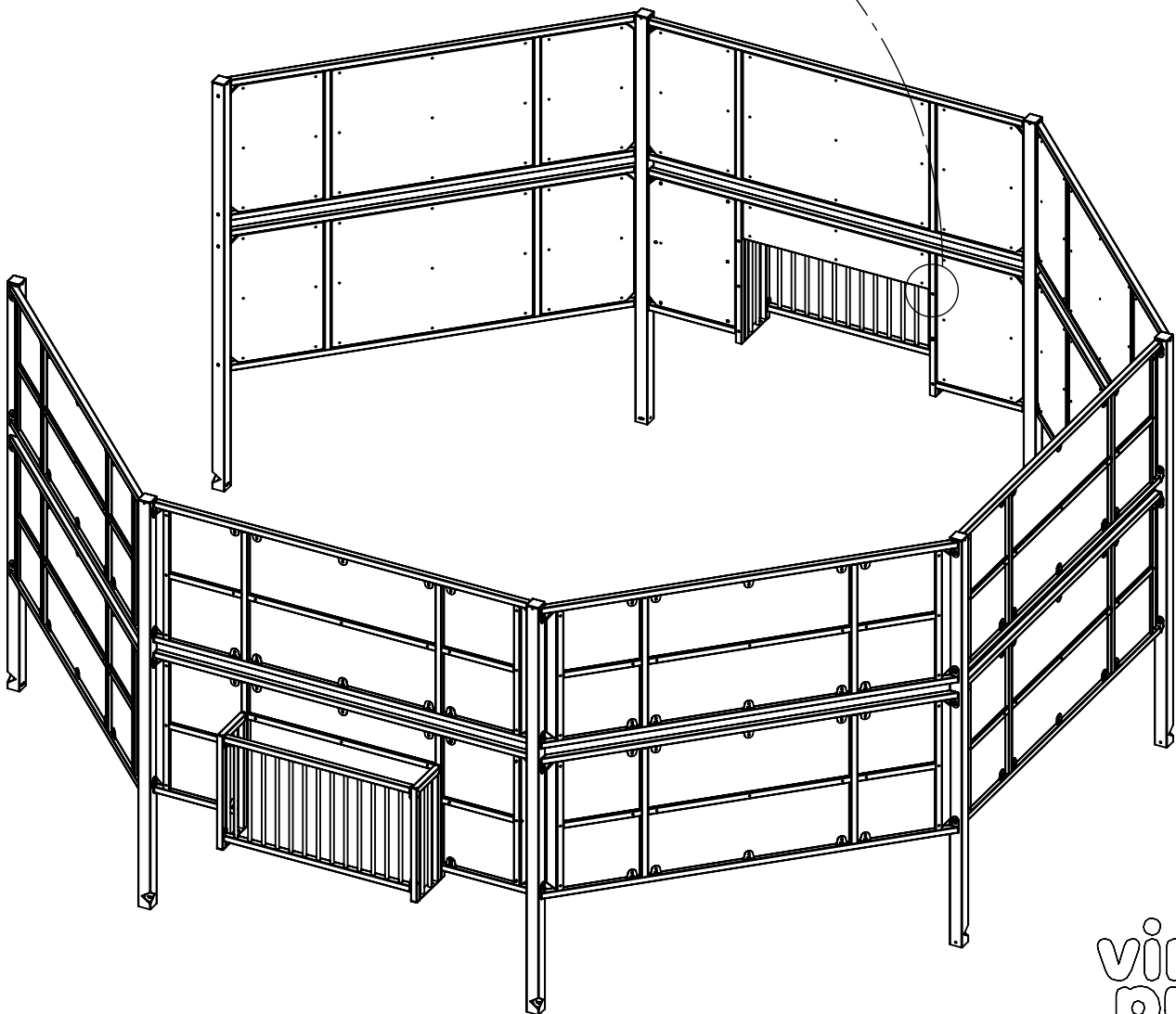


2x 24e002



12x M10x60

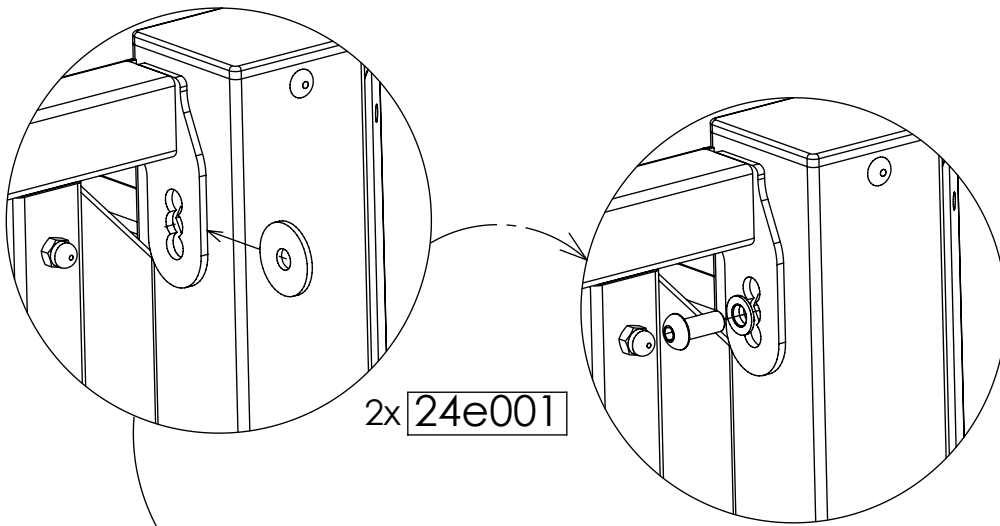
12x D10 pp



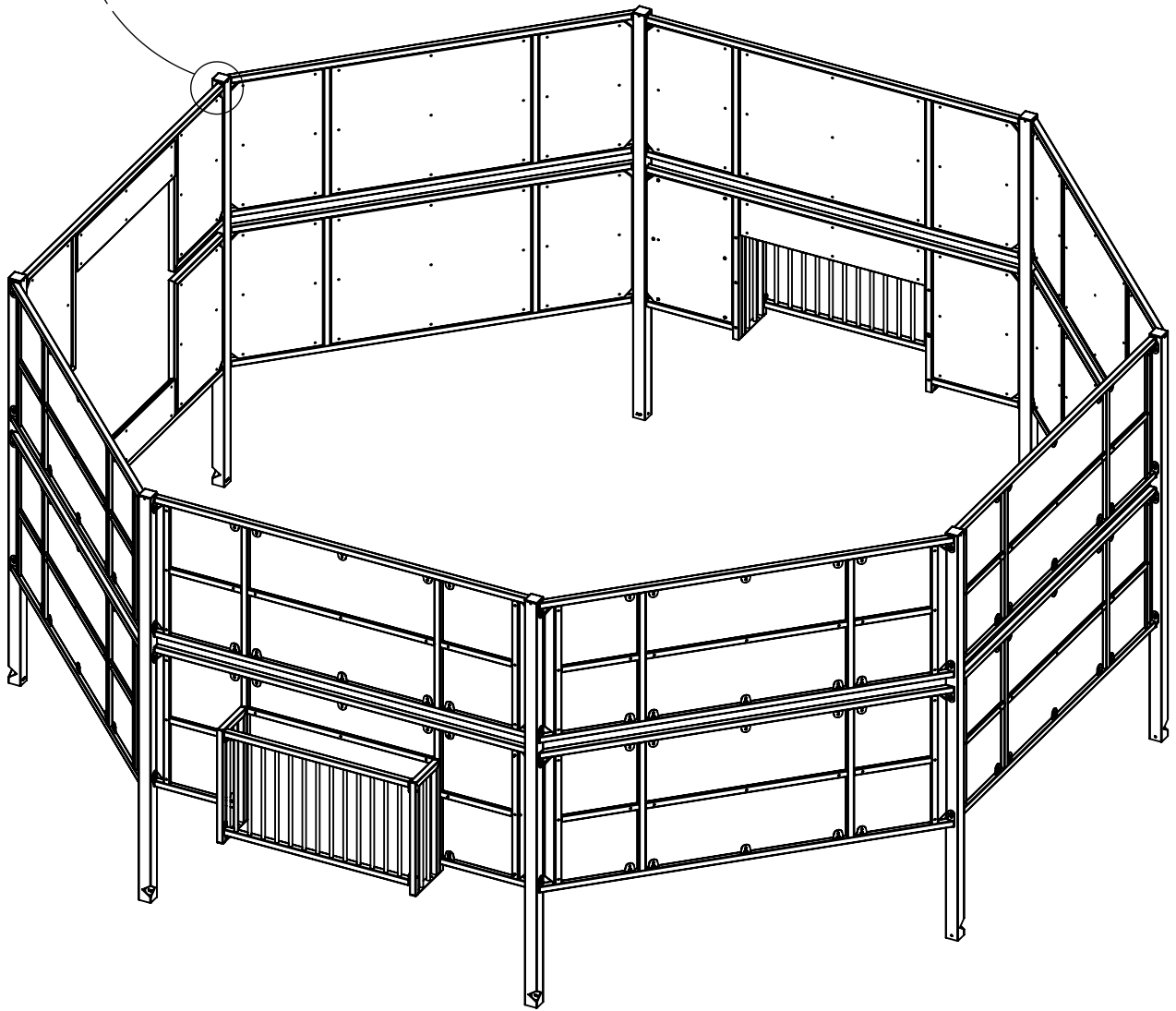
[cm]

vinci
play

240606-002

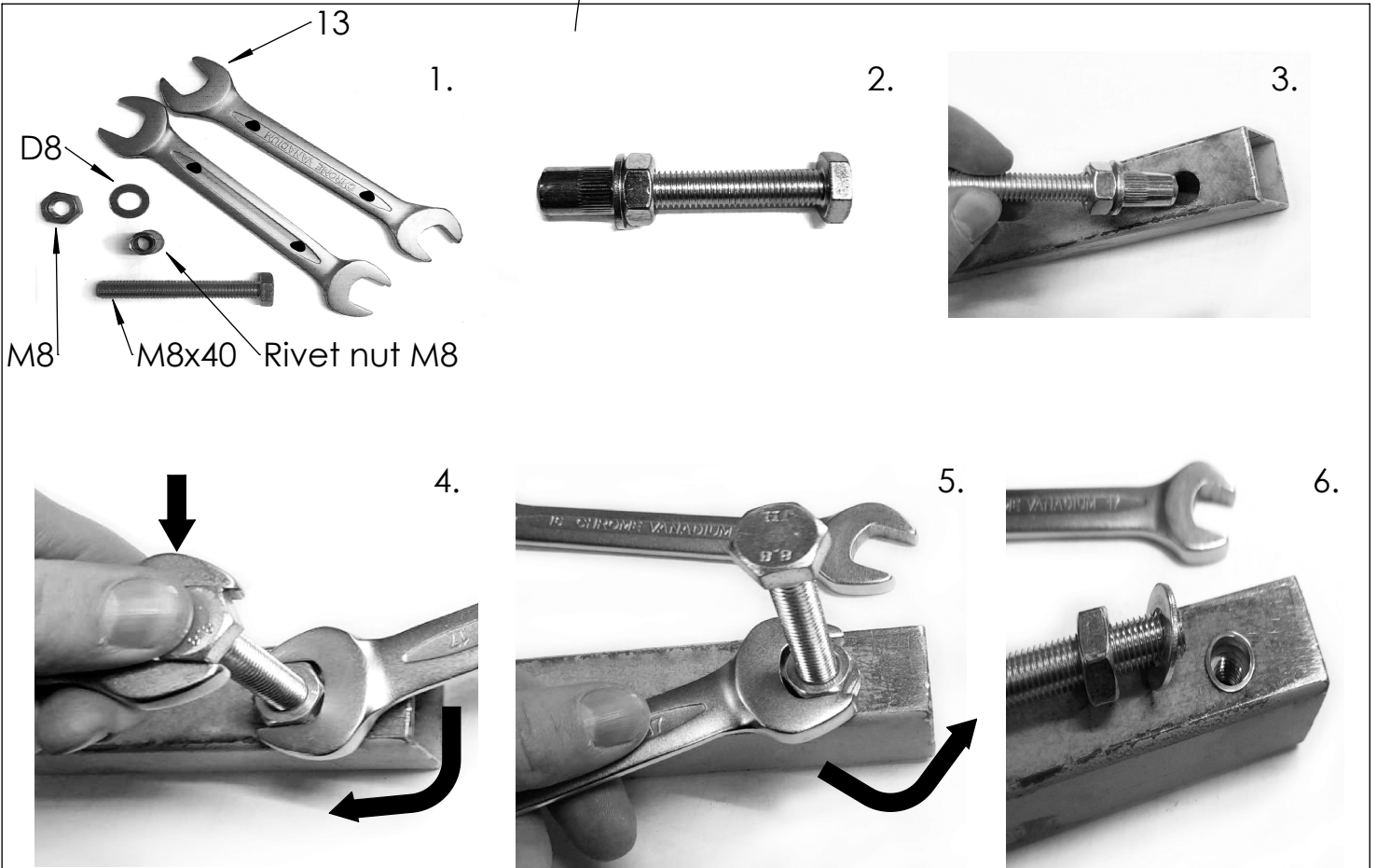
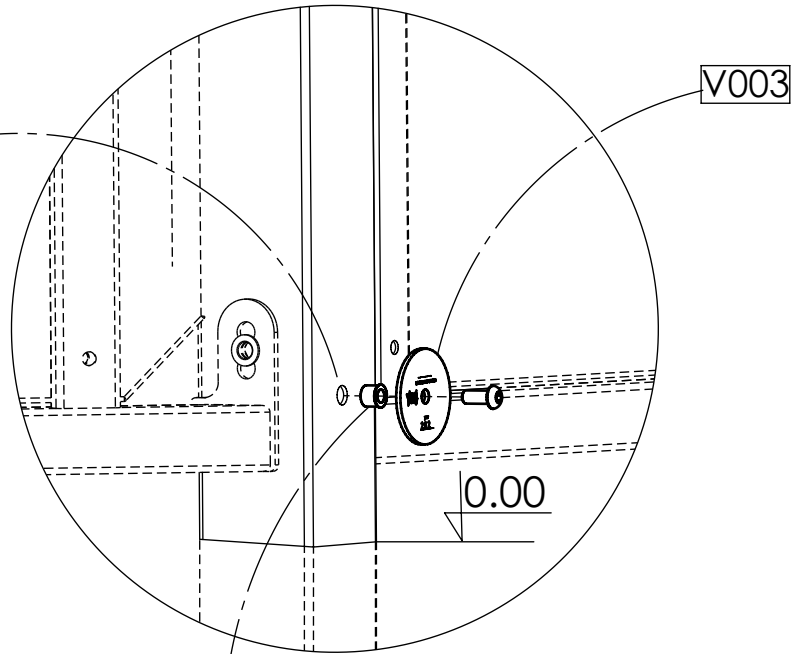
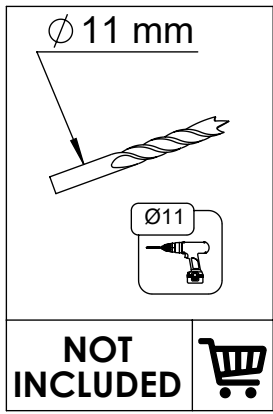


2x 24e001



[cm]

vinci
play

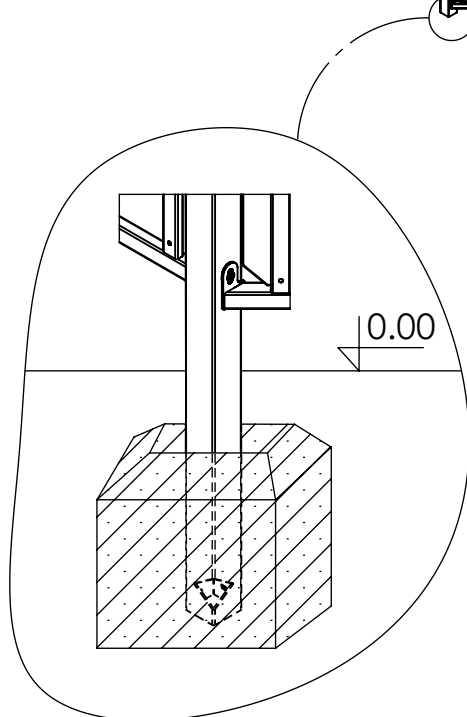
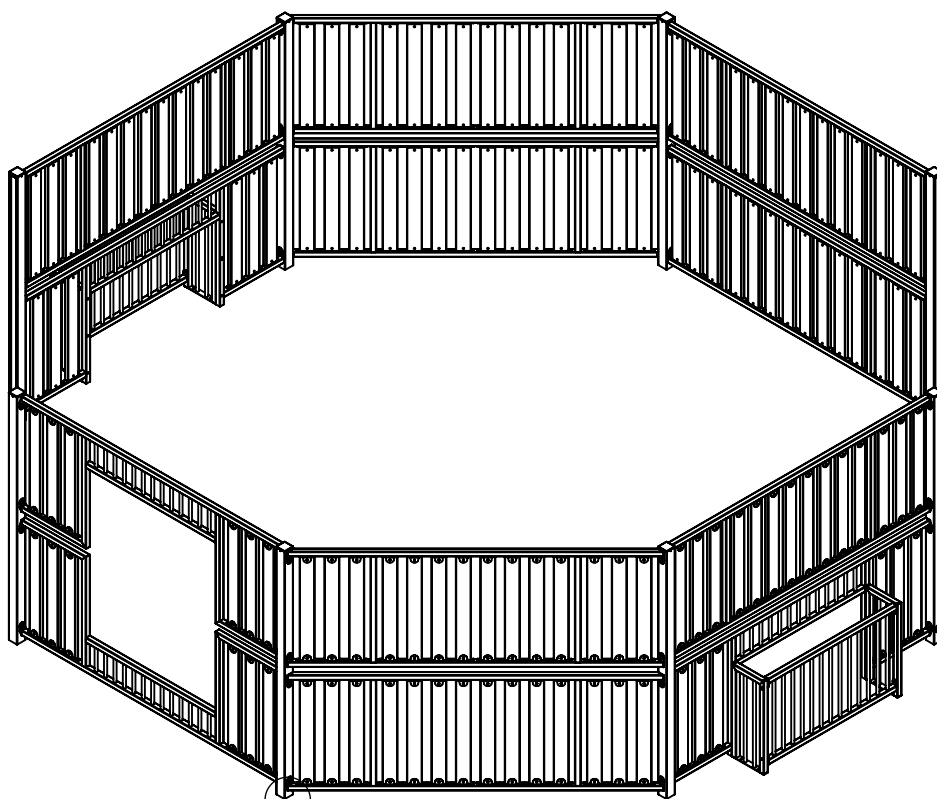
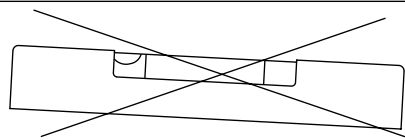
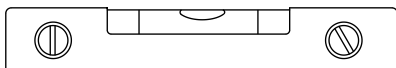


Keep the head of the screw still (it can not rotate!)
 - then by using short wrench - rotate/screw only
 the bottom part of solution - the nur. Attention!
 - do not put much power for this operation
 (otherwise the rivet nut will be damaged!).
 The difference between screw head and the
 nut should change from 3mm to 8mm

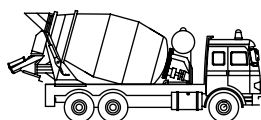
After that unscrew screws

Final effect

240606-002



48h

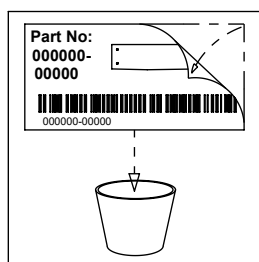


K23



x8

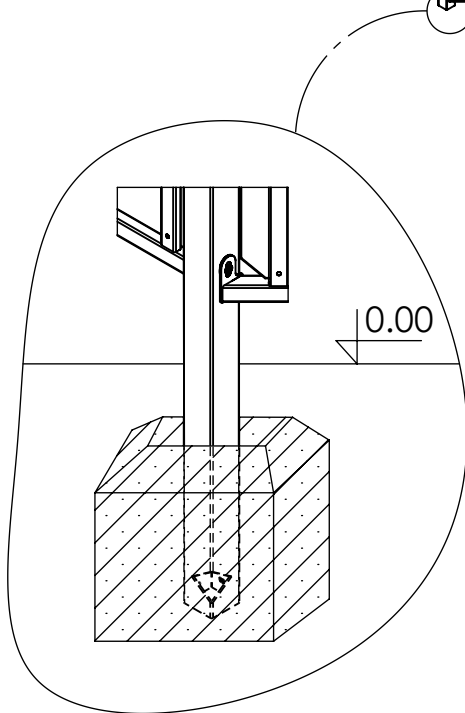
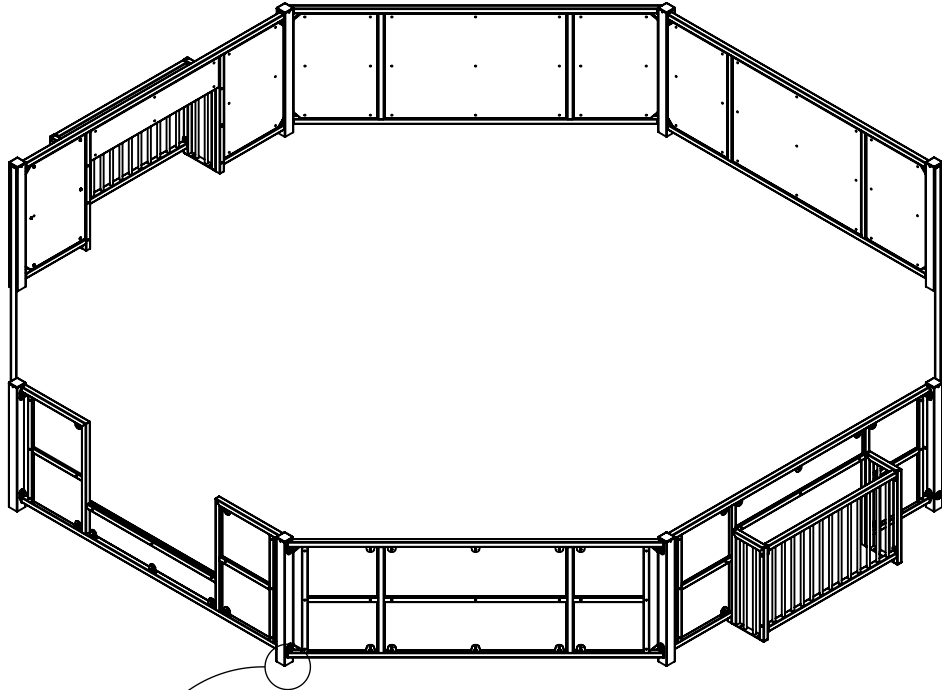
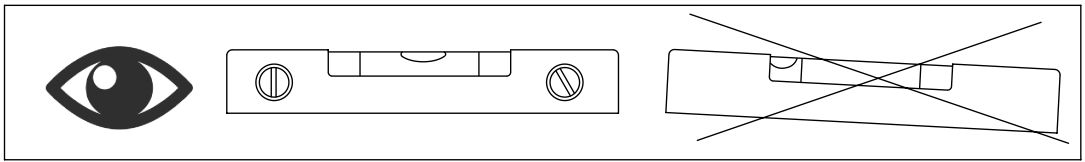
>0,06m³



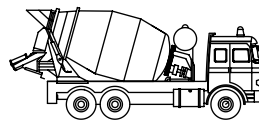
[cm]

vinci
play

240606-001



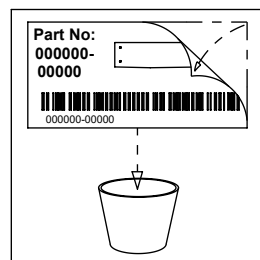
48h



K23

x8

>0,06m³



[cm]

vinci
play