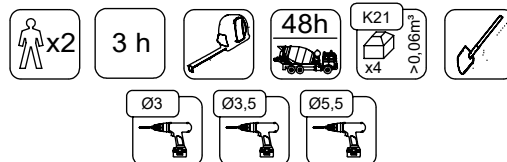
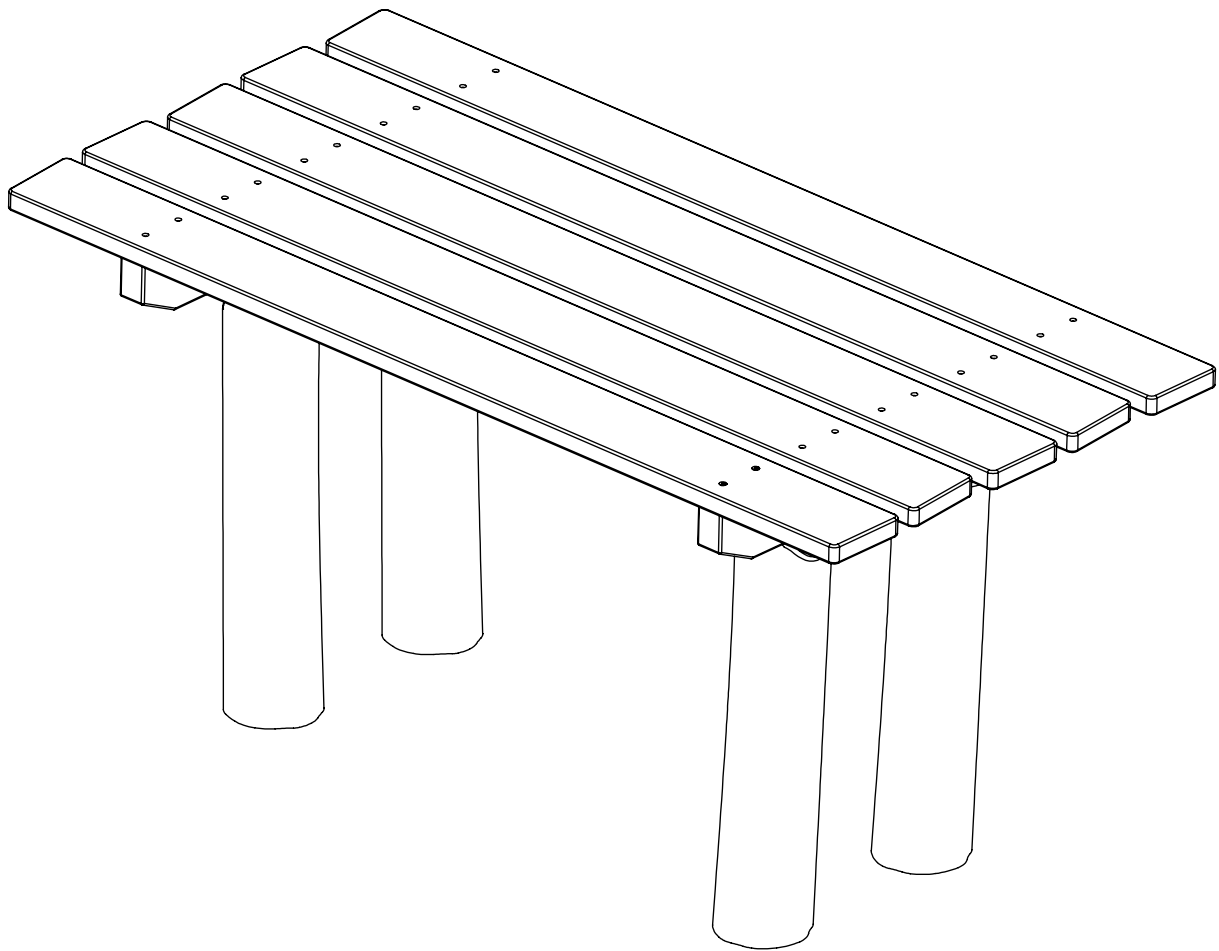
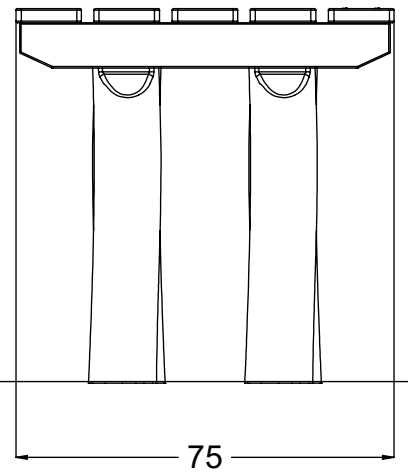
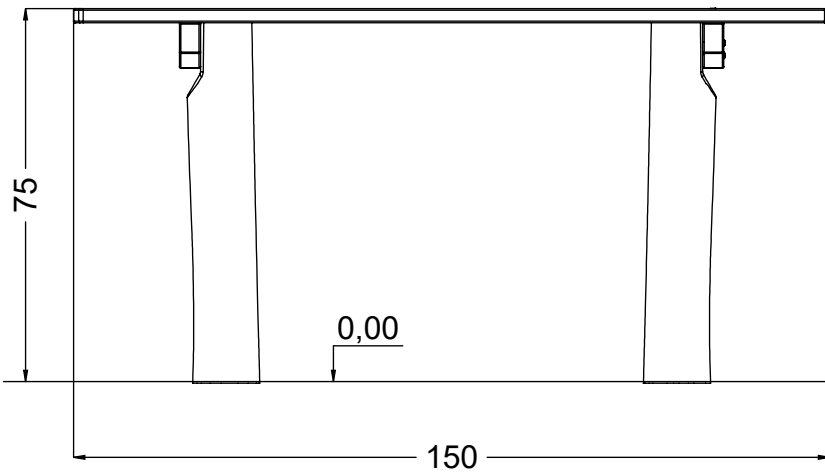
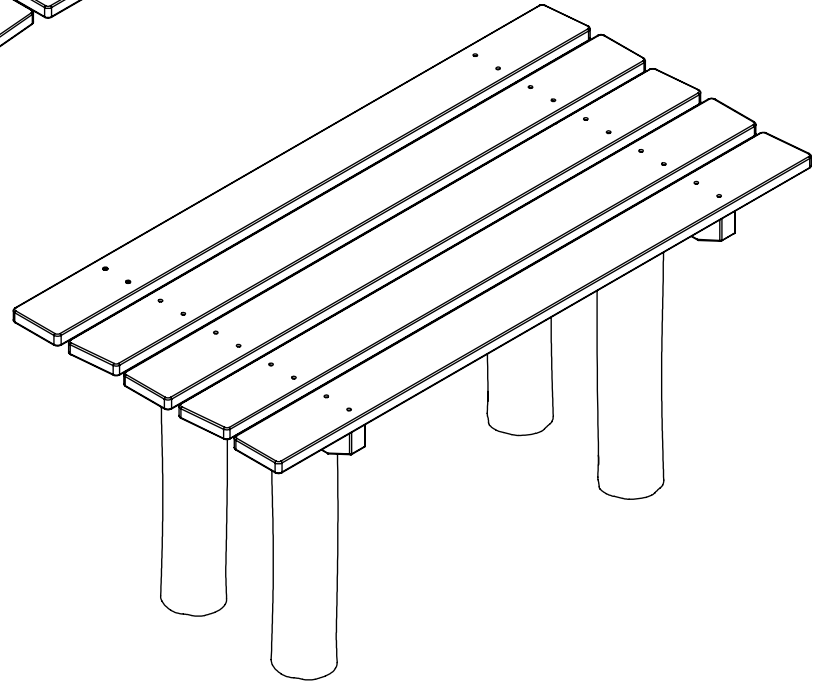
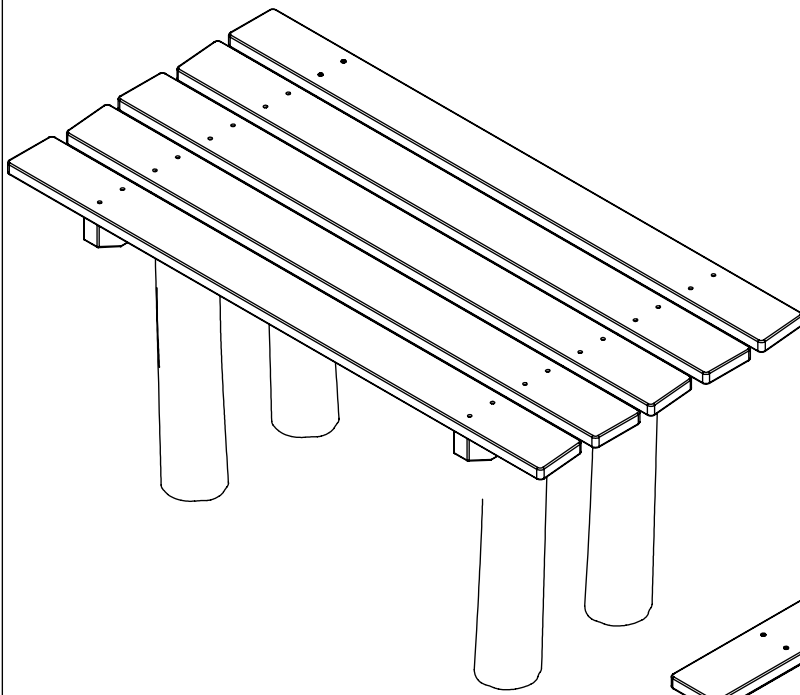


RB1394



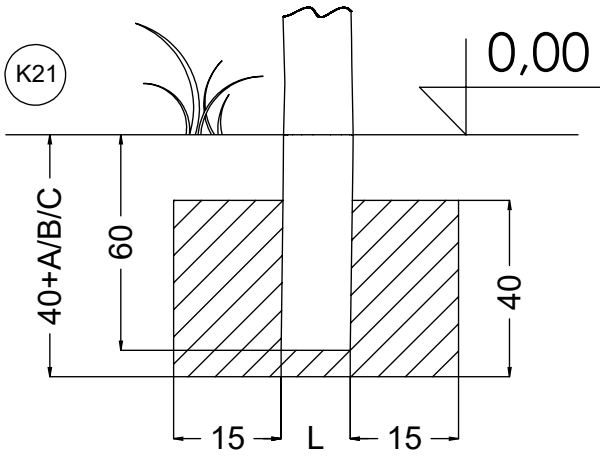
v010
05.04.2022
D. P.
[cm]

vinci
play

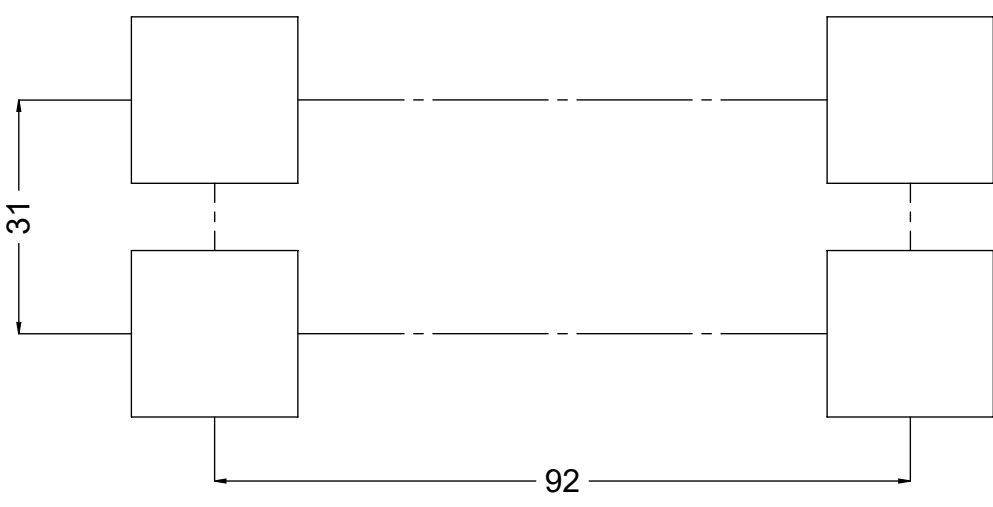
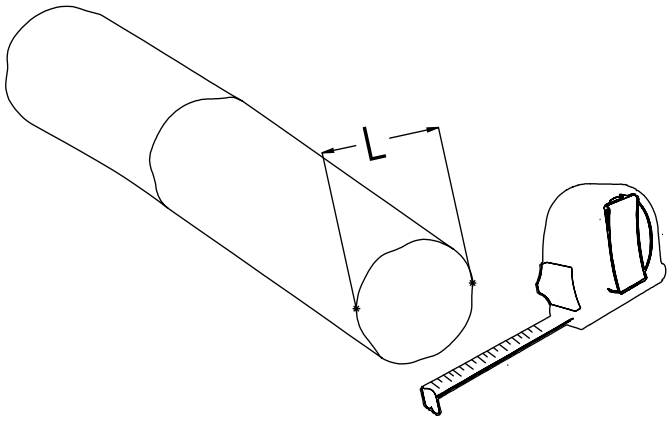
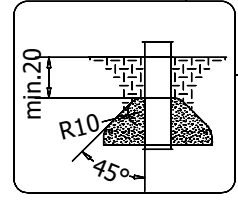
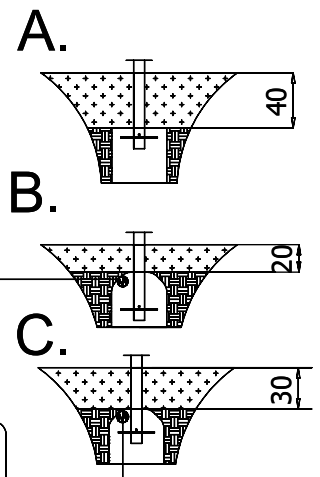


[cm]



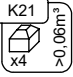
vinci
play



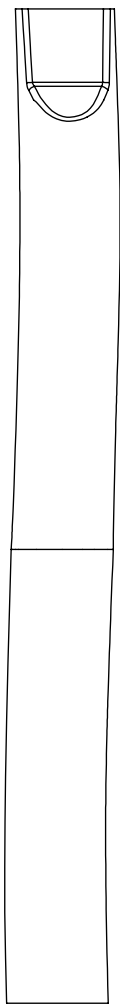
48h 



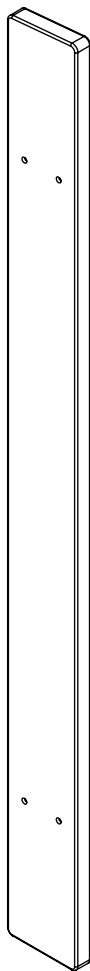
[cm]

 x2
  3 h
 
 
  48h
  K21 x4 >0,06m³

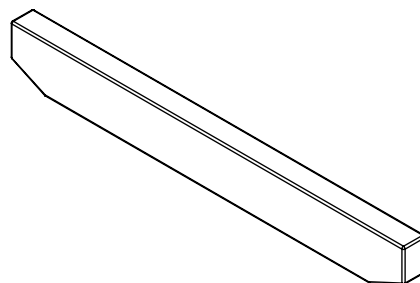
vinci play



127717
x4



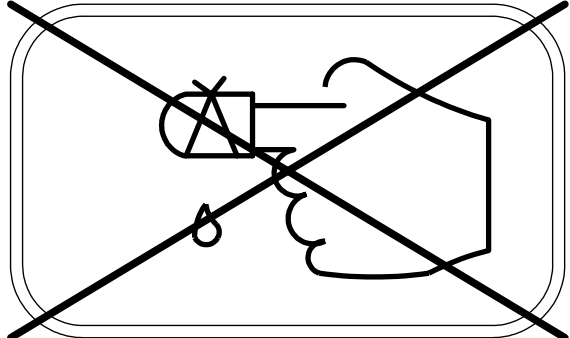
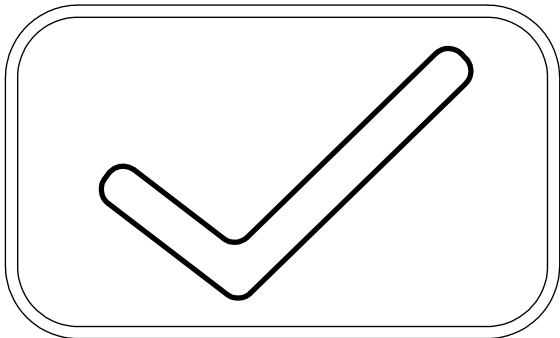
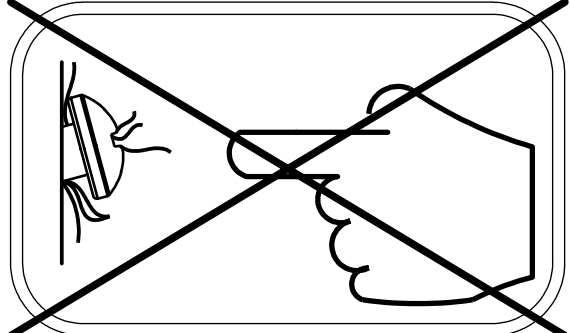
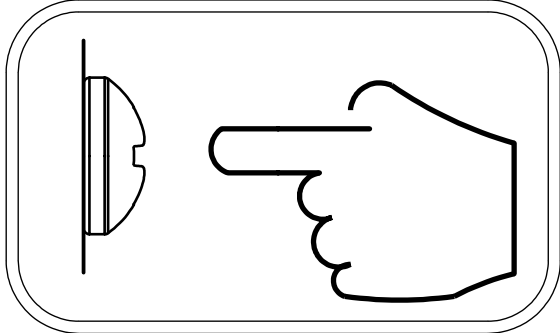
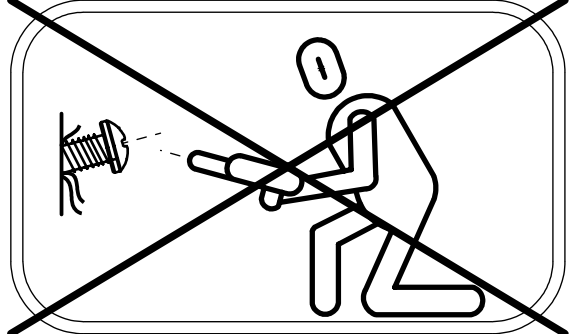
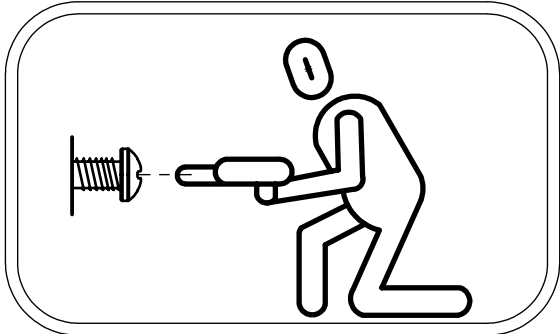
128195
x5

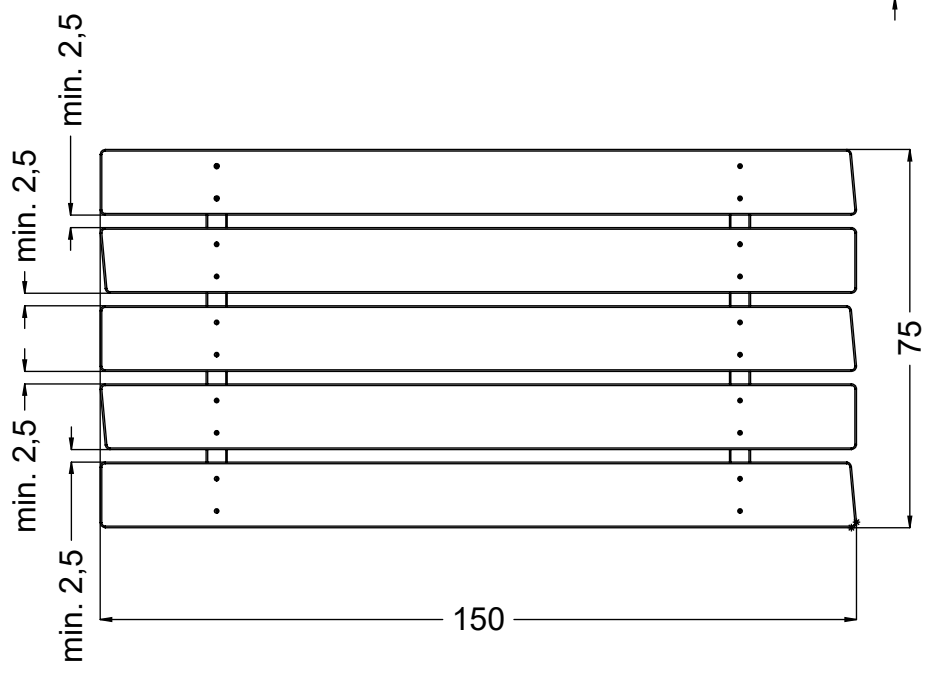
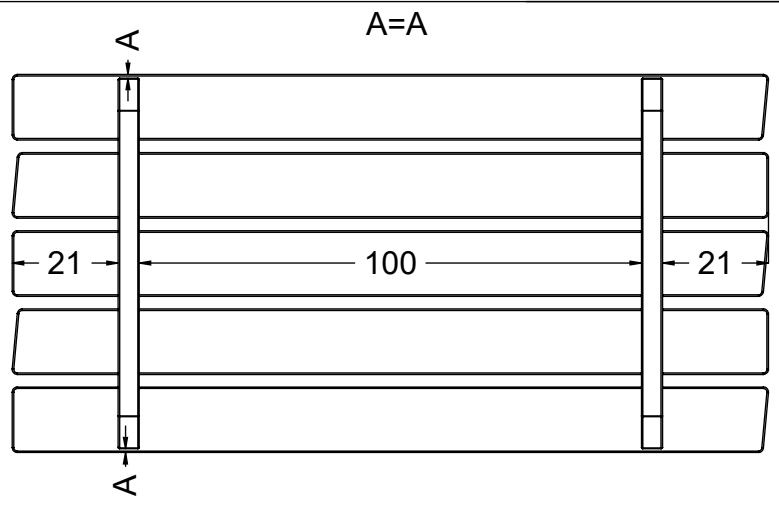


128264
x2

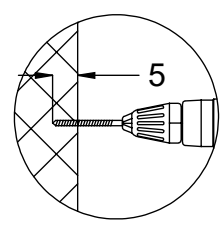
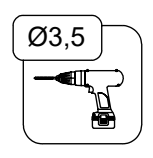
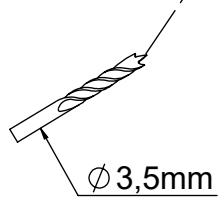
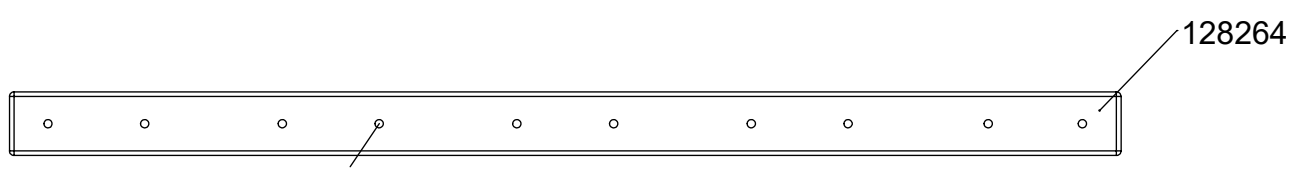
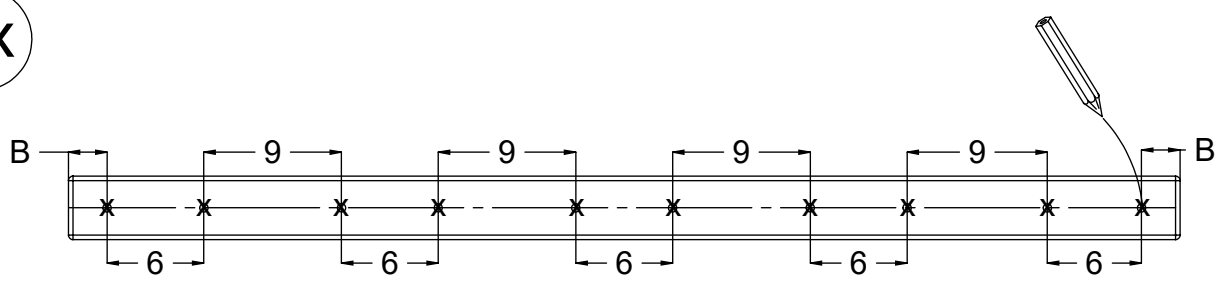
20x	5x80sxs
12x	8x80sxt

1x	V001



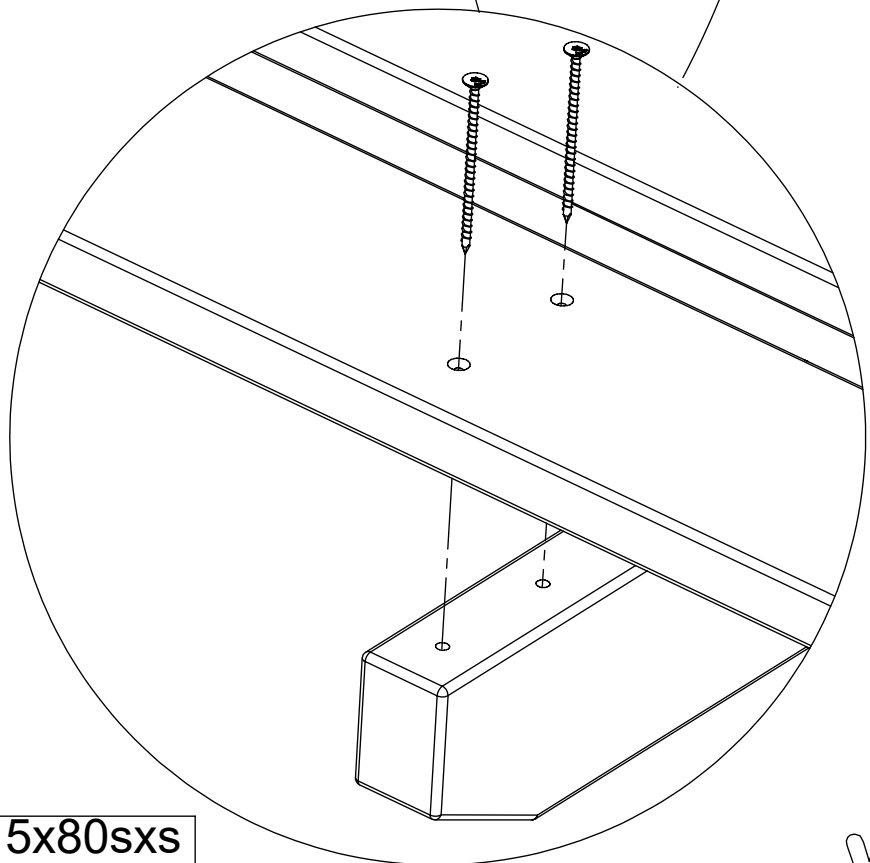
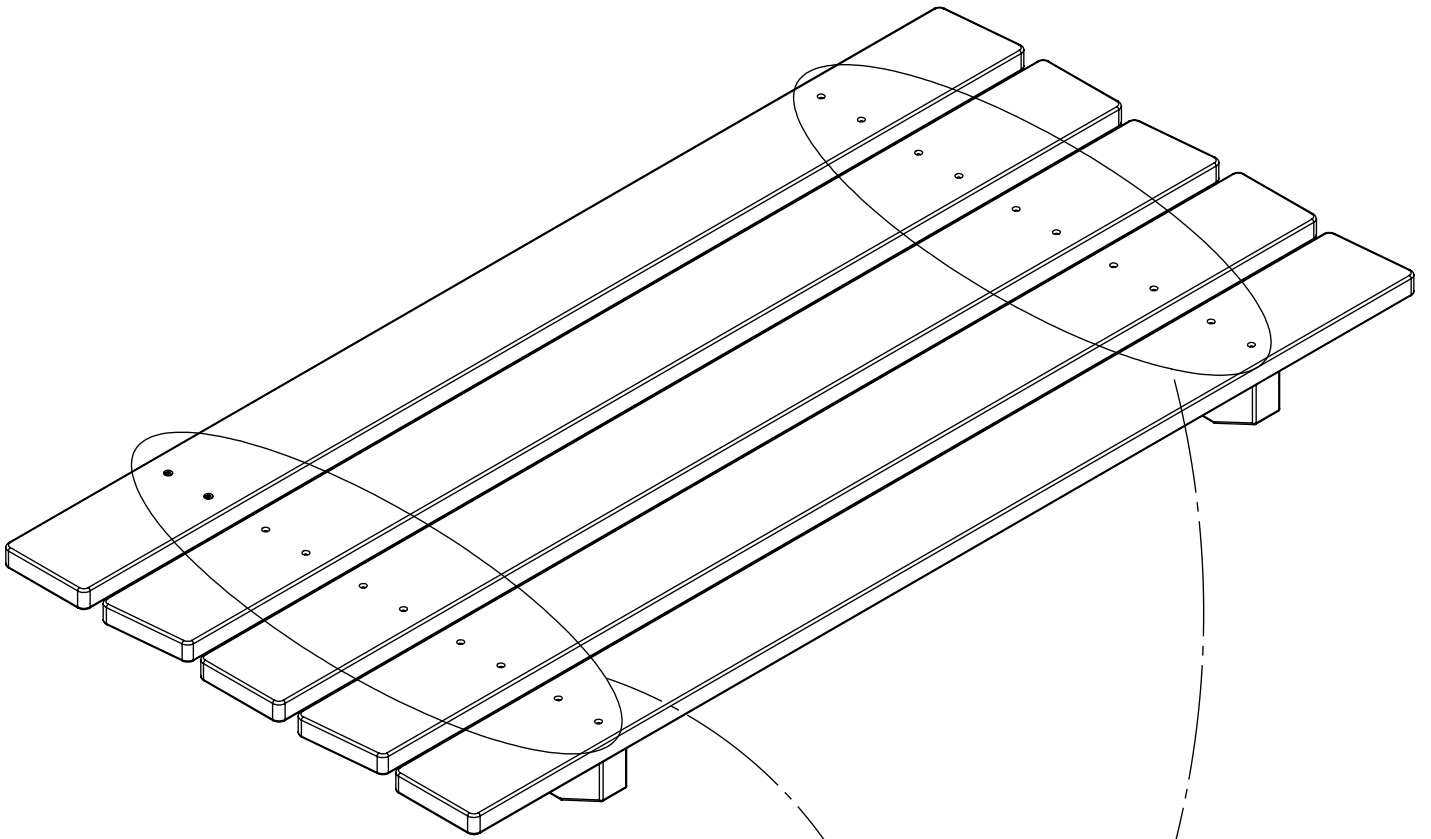


2x



[cm]

vinci play

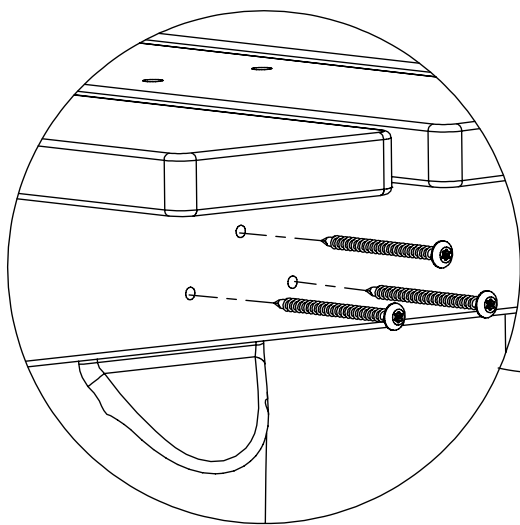
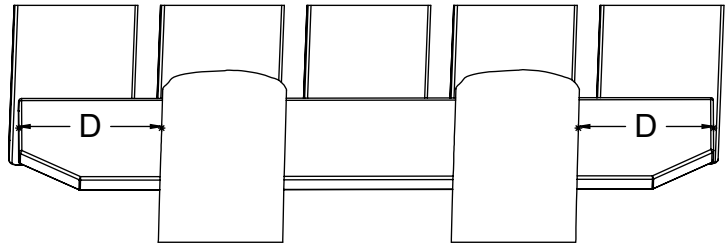
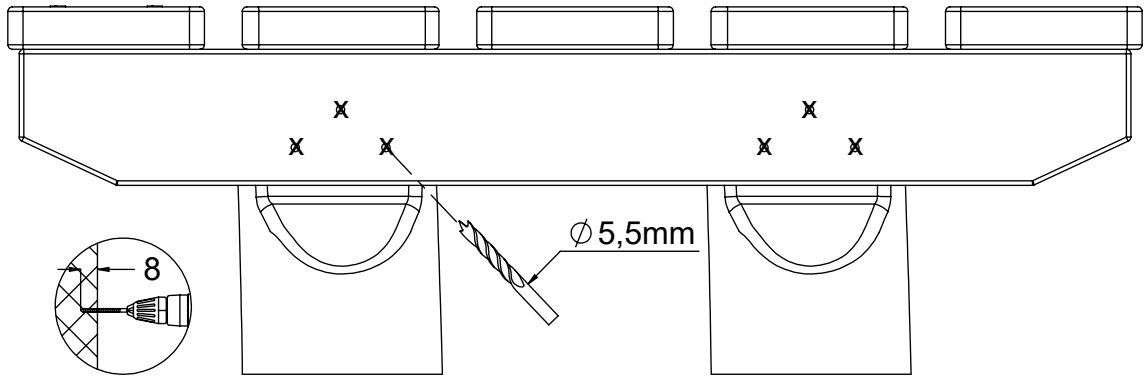
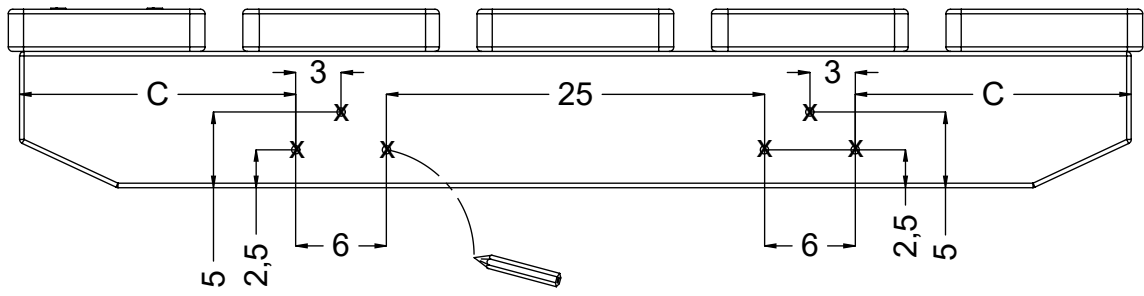


20x 5x80sxs

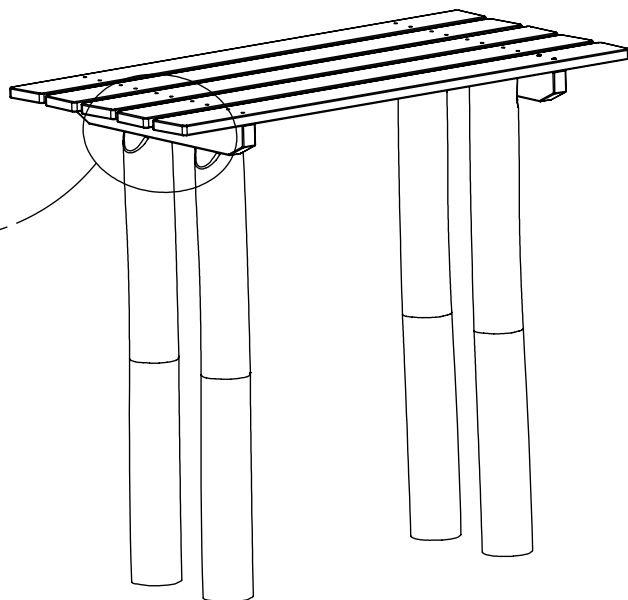
[cm]

vinci
play

C=C



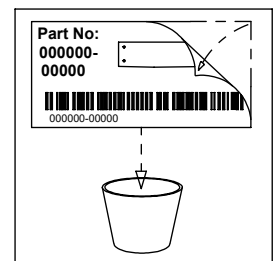
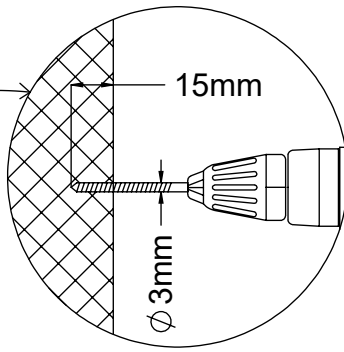
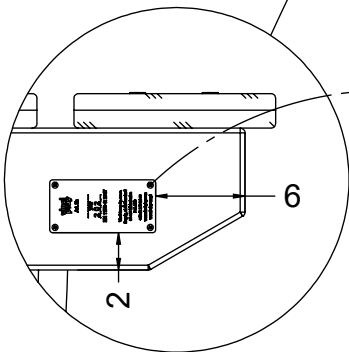
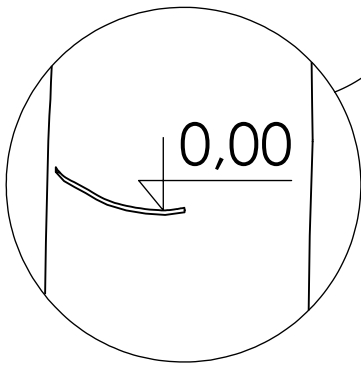
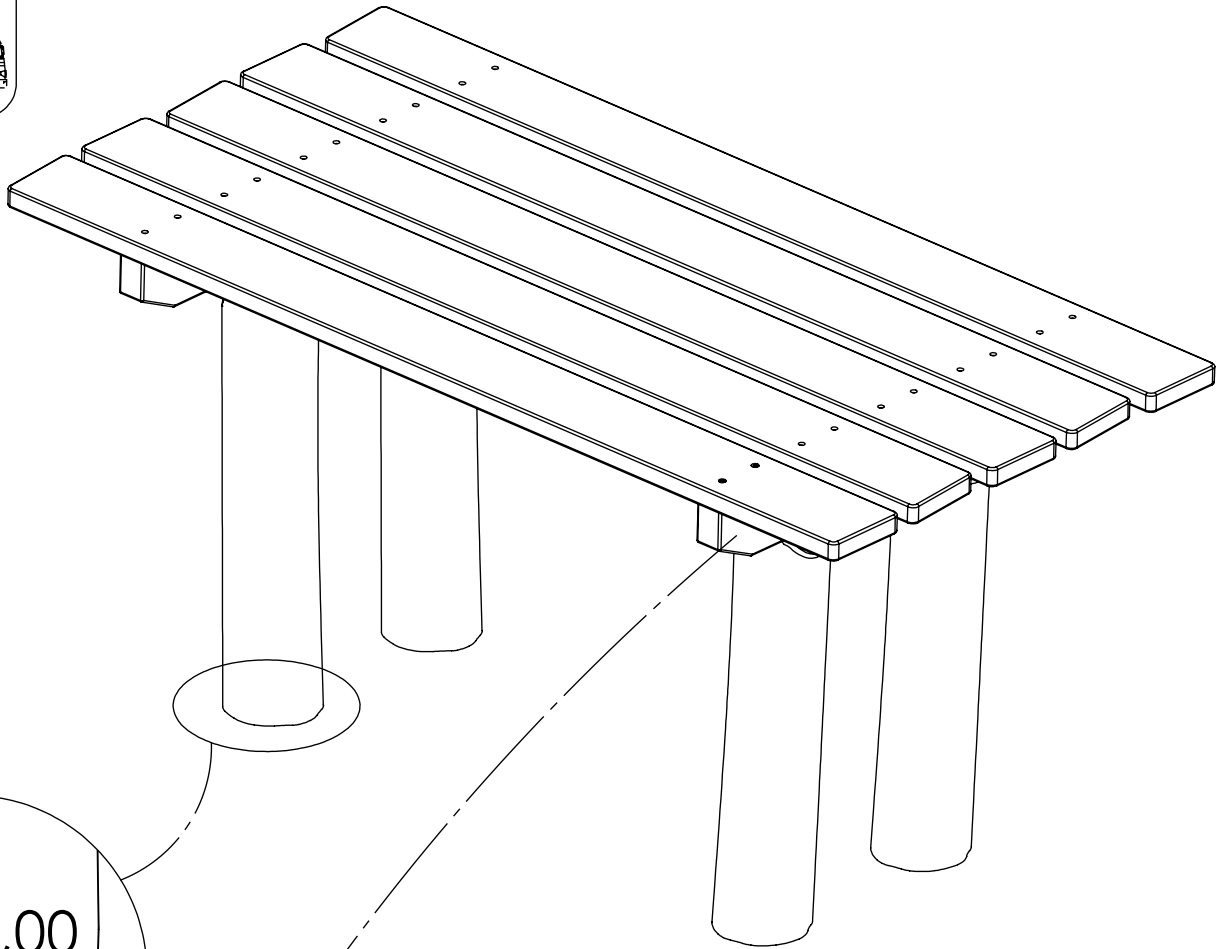
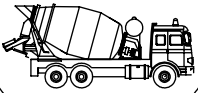
12x 8x80sxt



[cm]

vinci
play

48h



[cm]

vinci
play