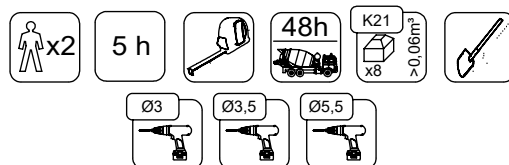
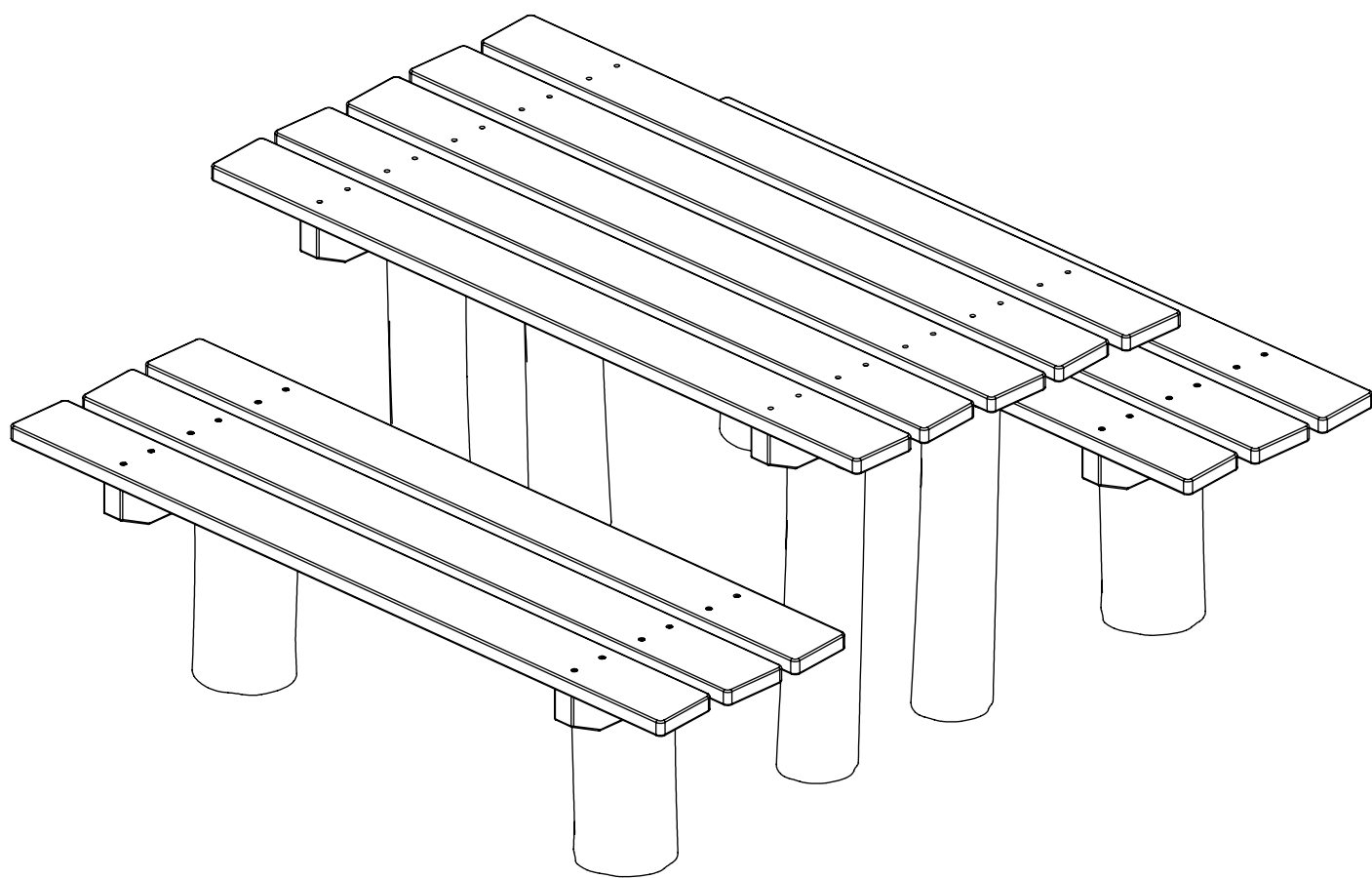
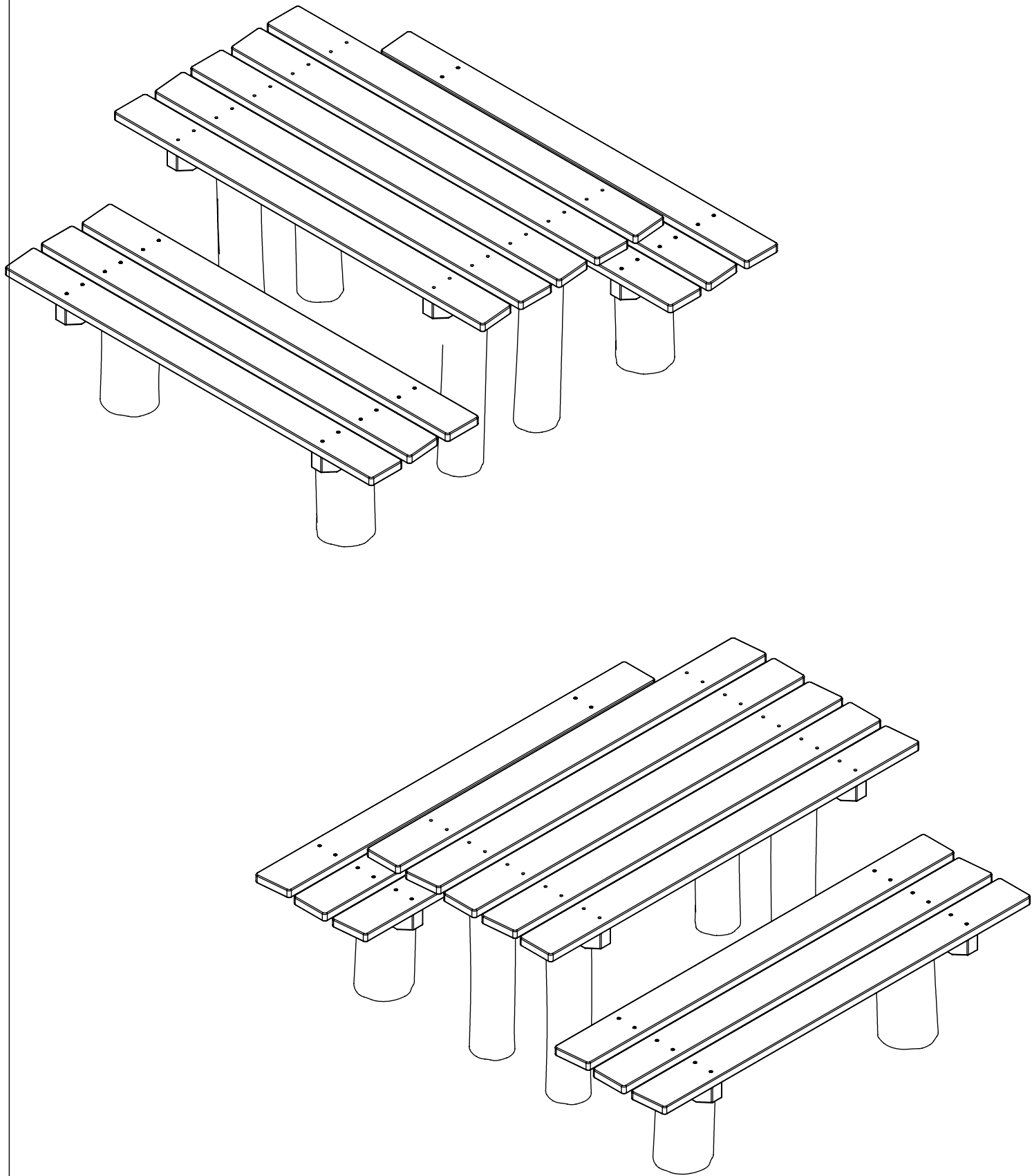


RB1393



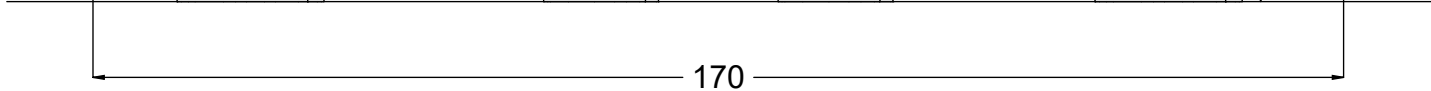
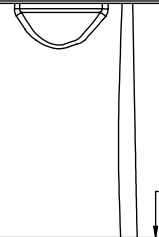
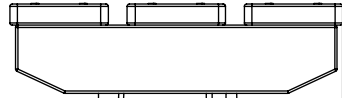
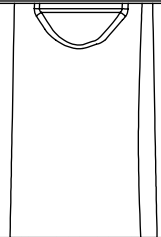
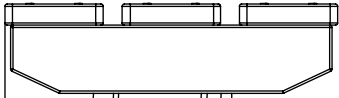
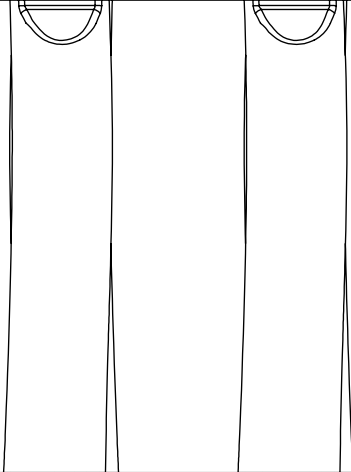
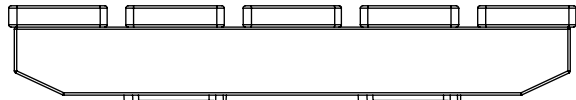
v010
04.04.2022
D. P.
[cm]

vinci
play

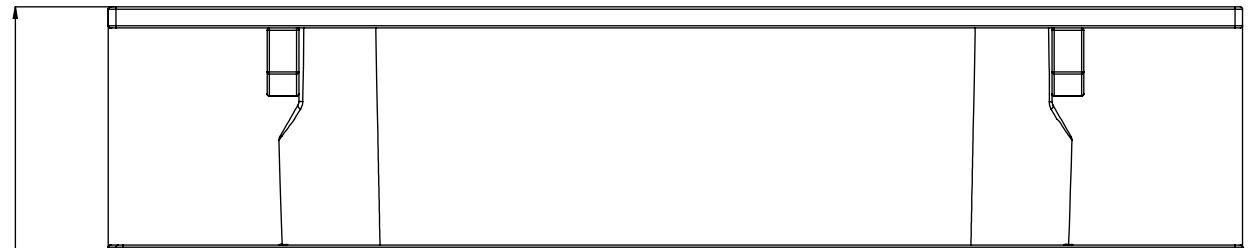


[cm]

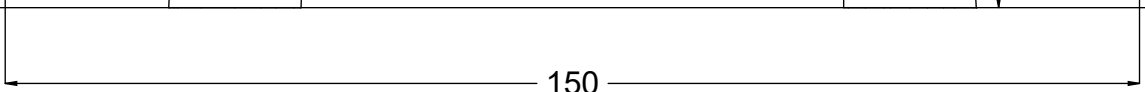
vinci
play



0,00



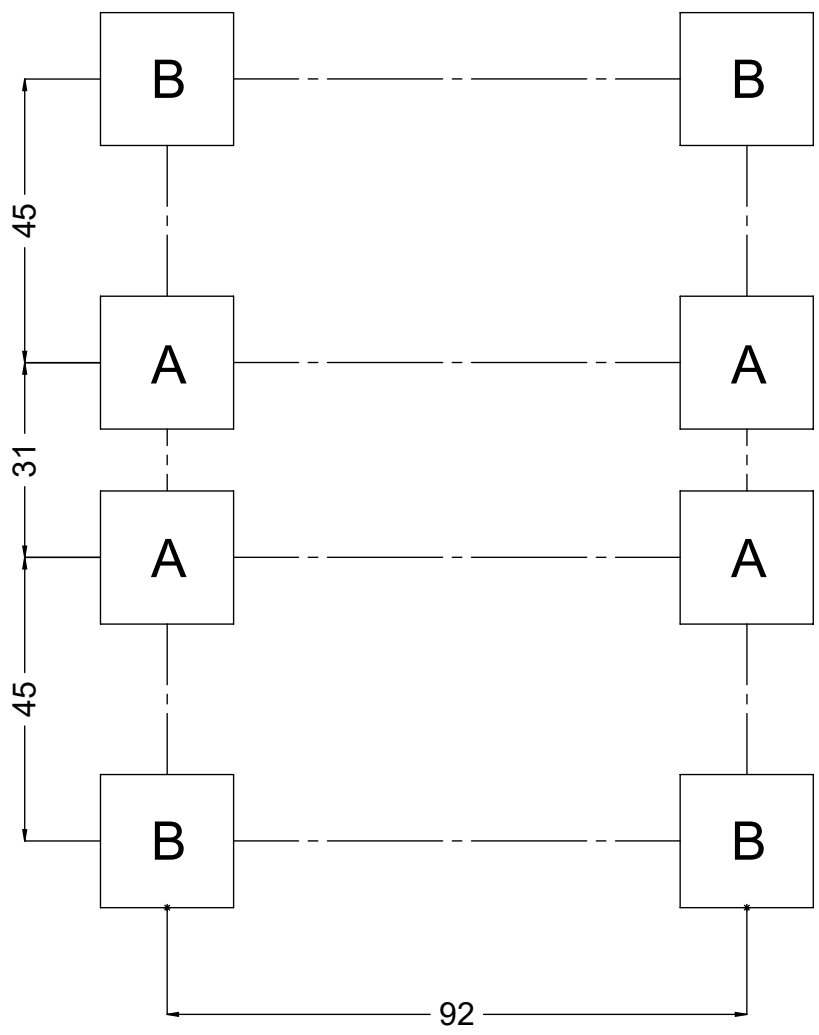
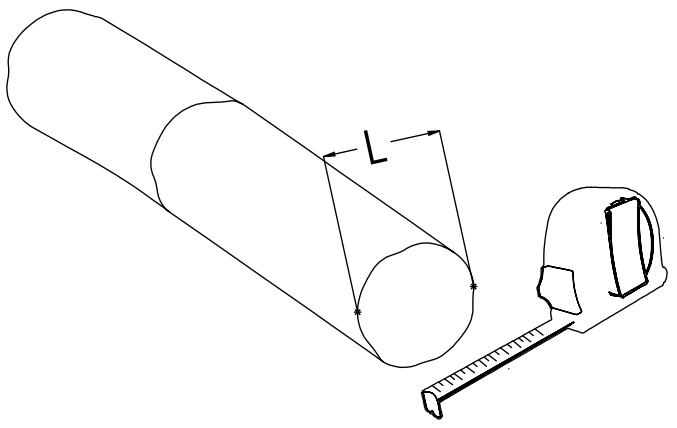
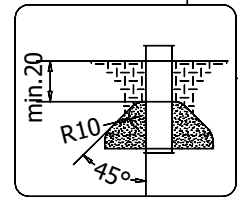
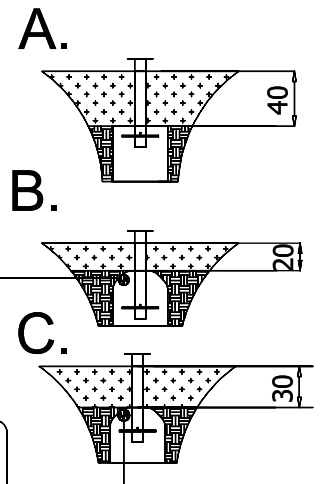
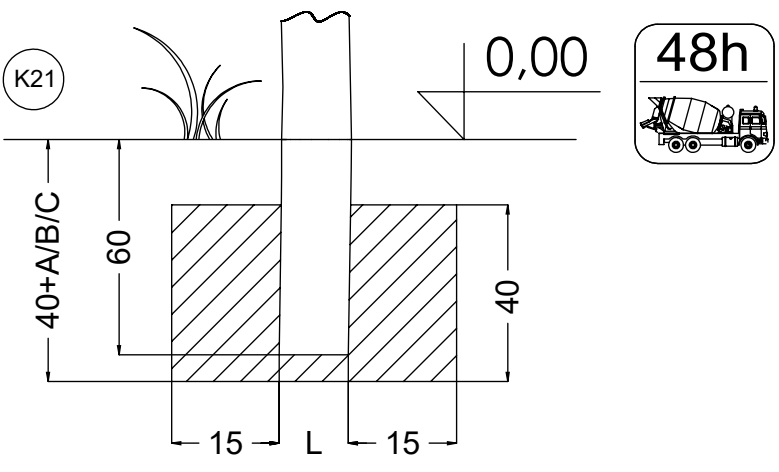
75



0,00

[cm]

vinci
play



[cm]

x2

5 h

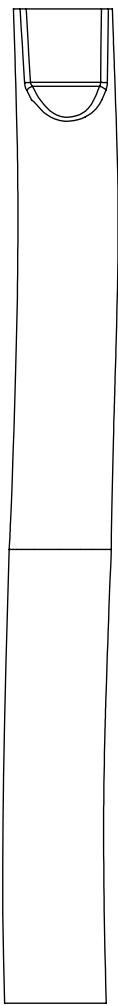
48h

K21

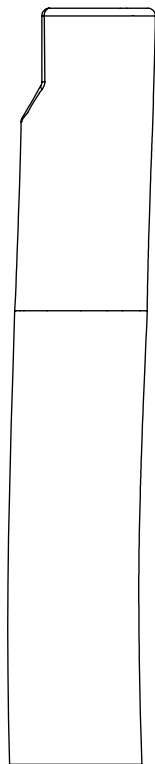
x8

>0,06m³

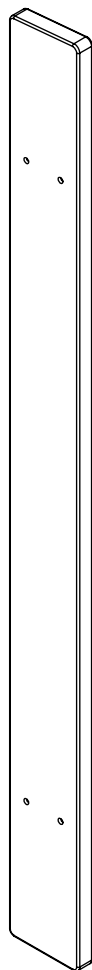
vinci play



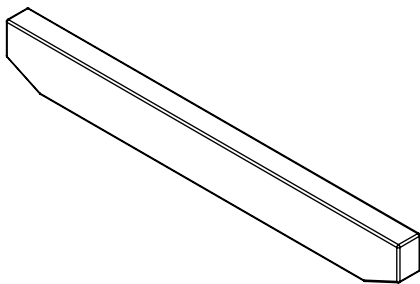
127717 (A)
x4



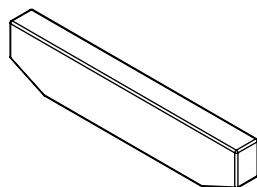
127382 (B)
x4



128195
x11



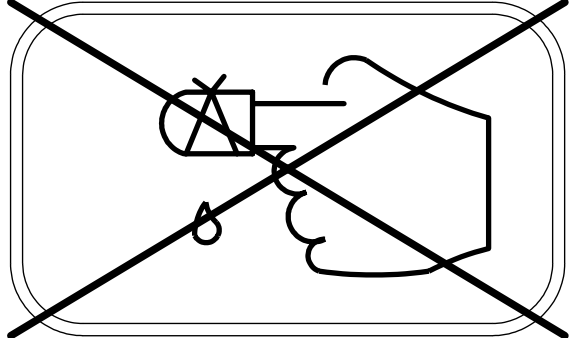
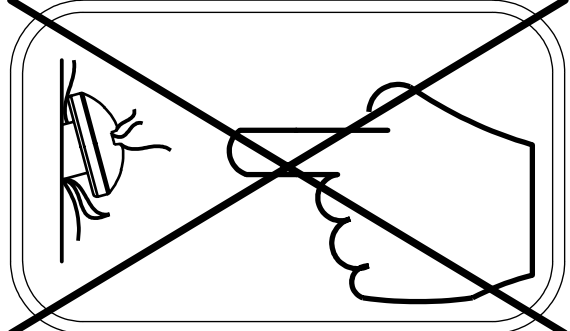
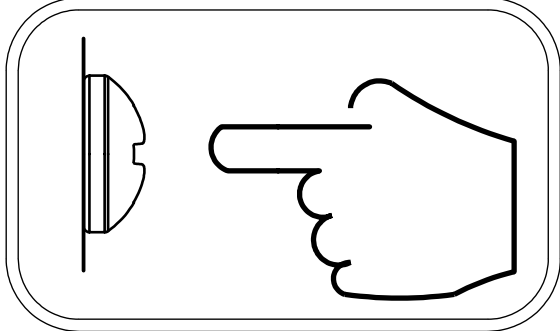
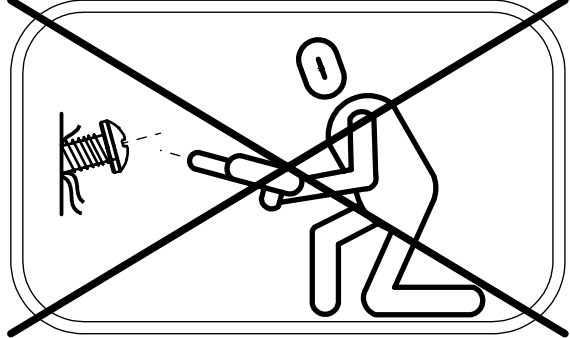
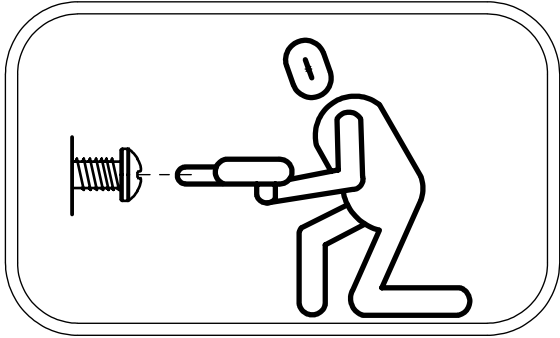
128264
x2



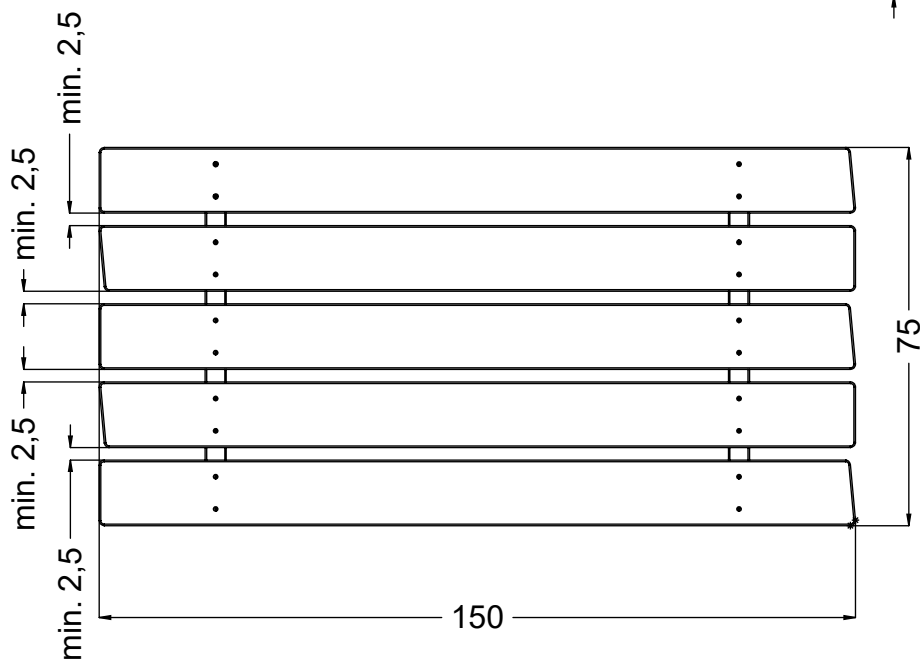
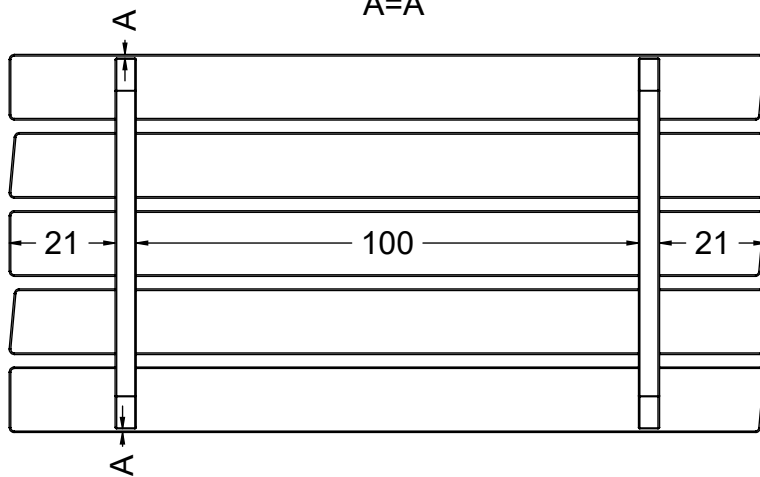
128196
x4

44x	5x80sxs
24x	8x80sxt

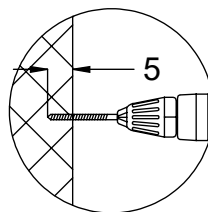
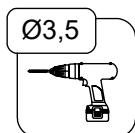
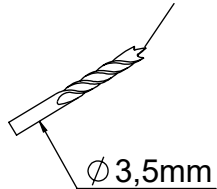
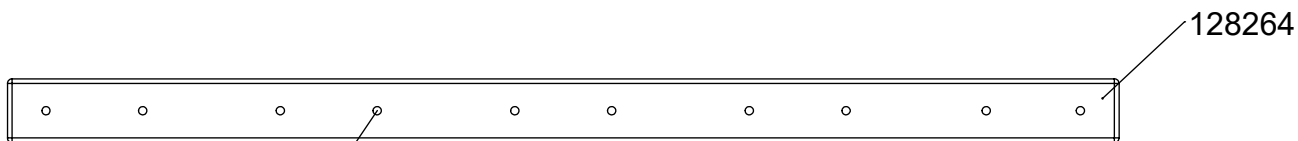
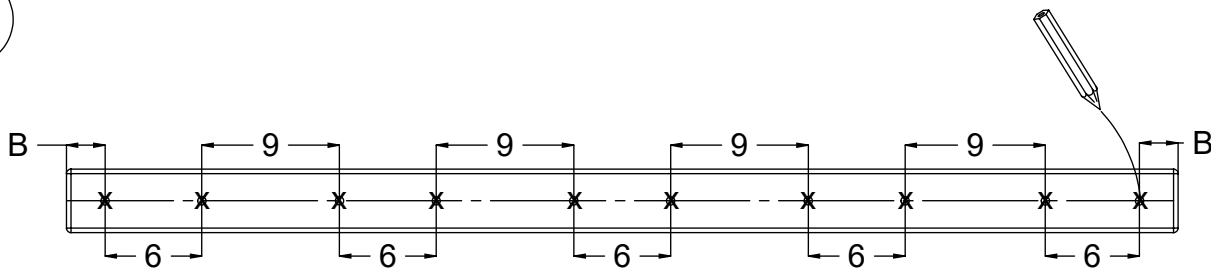
1x	V001



A=A

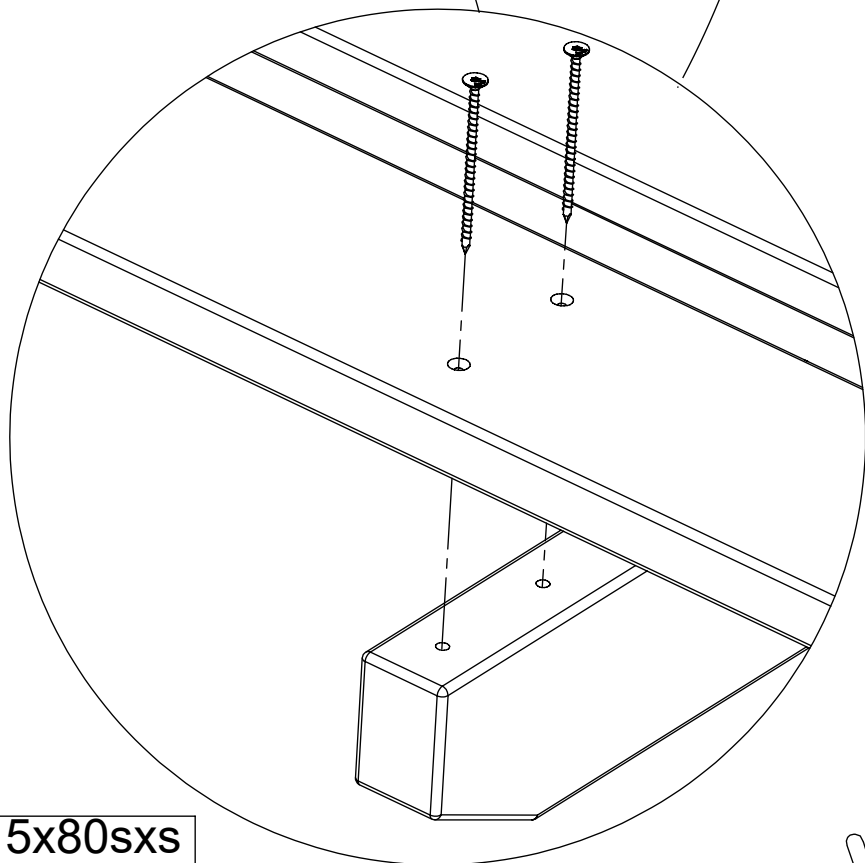
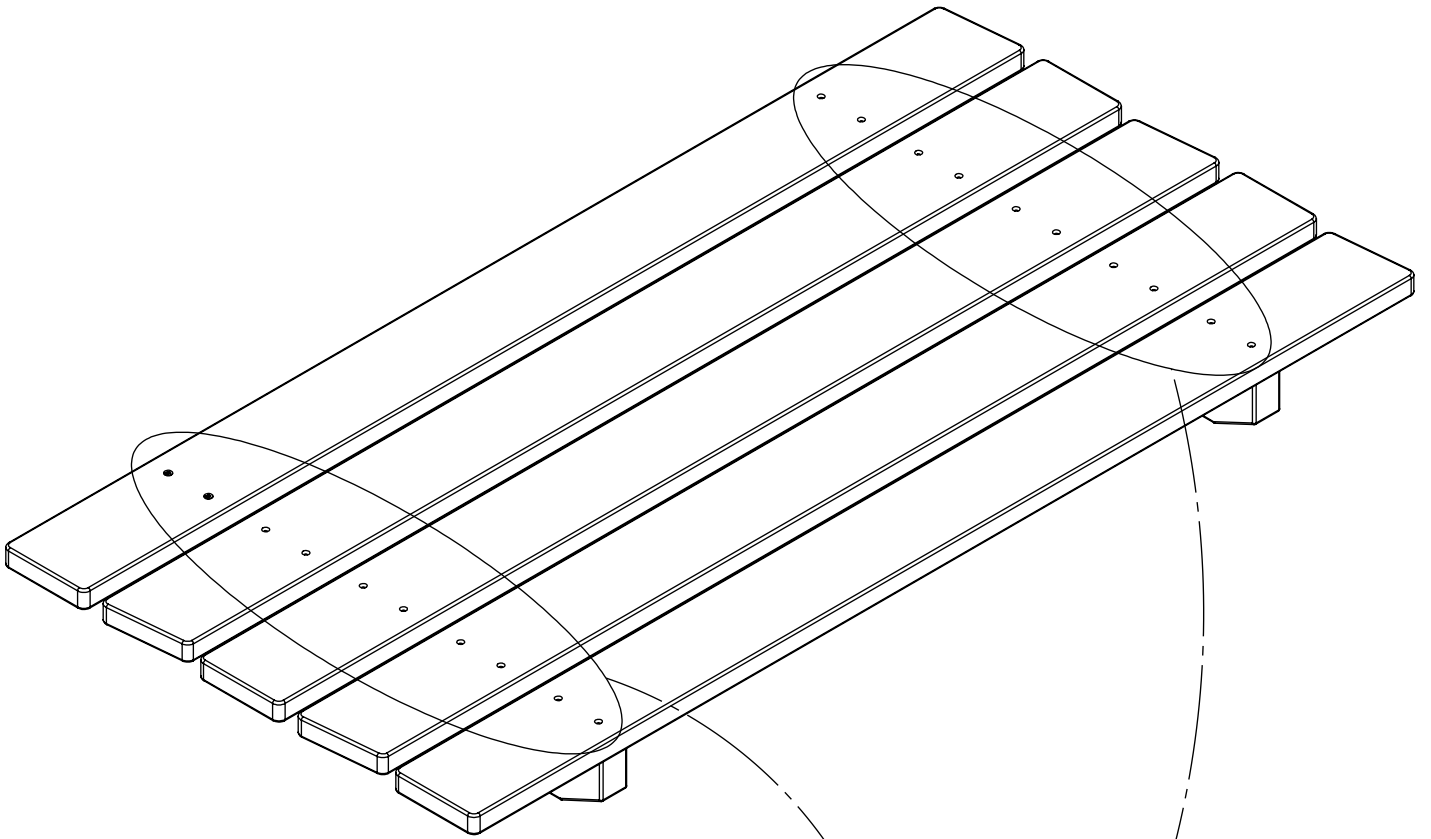


2x



[cm]

vinci play

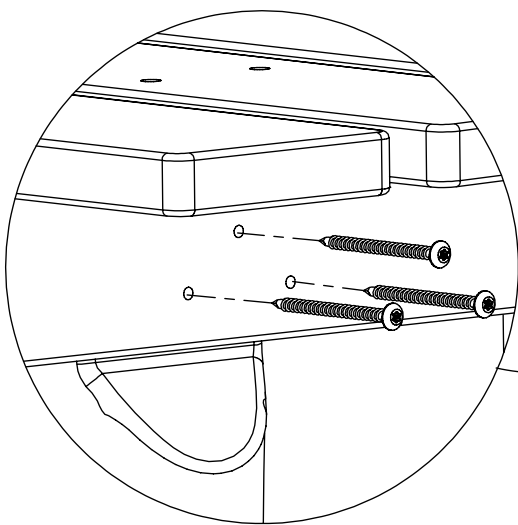
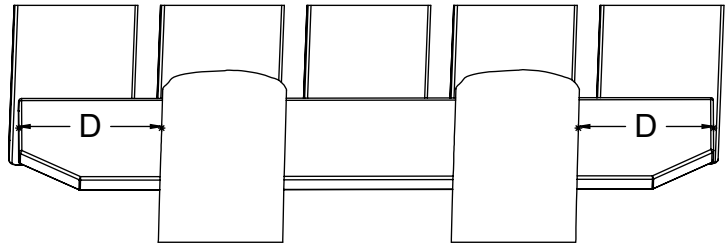
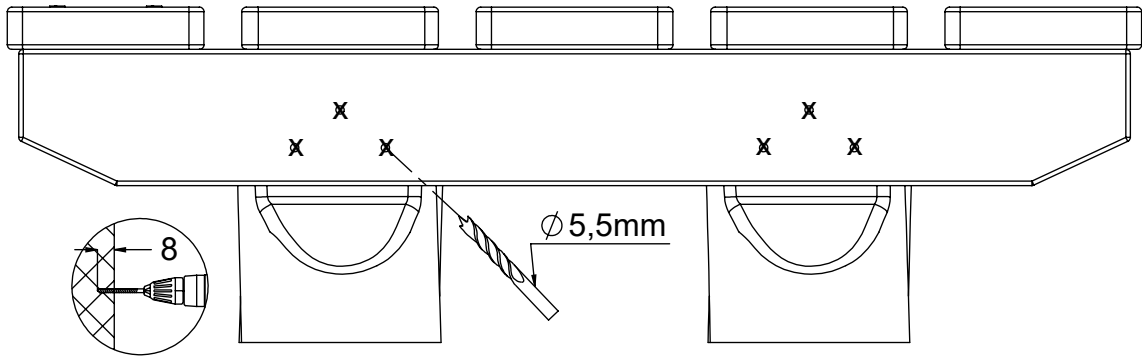
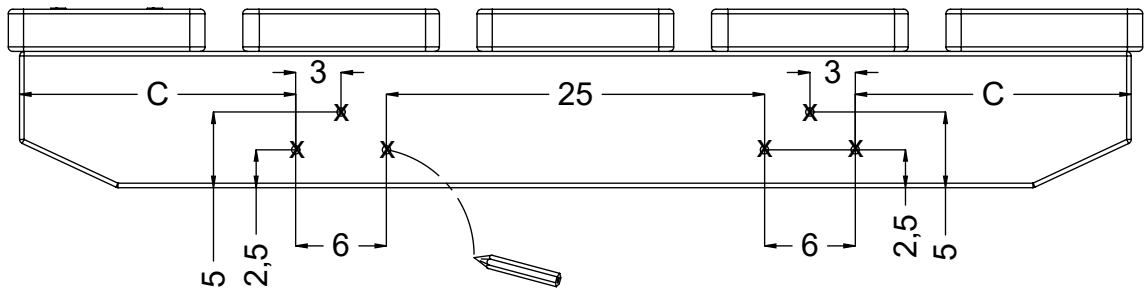


20x 5x80sxs

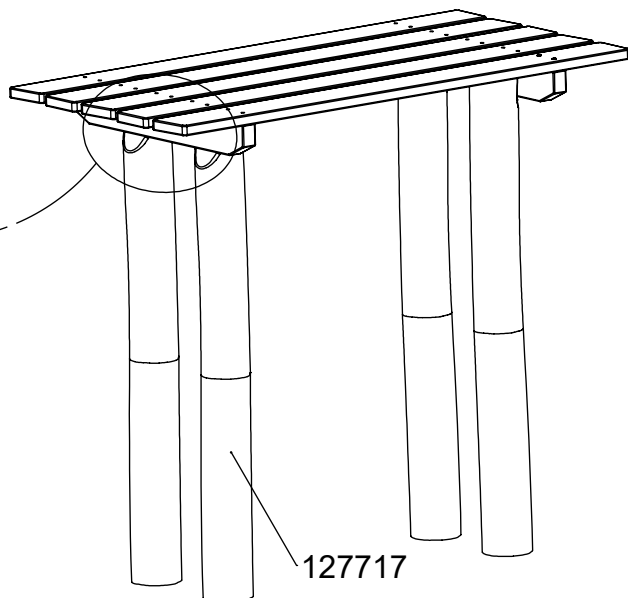
[cm]

vinci
play

C=C



12x 8x80sxt

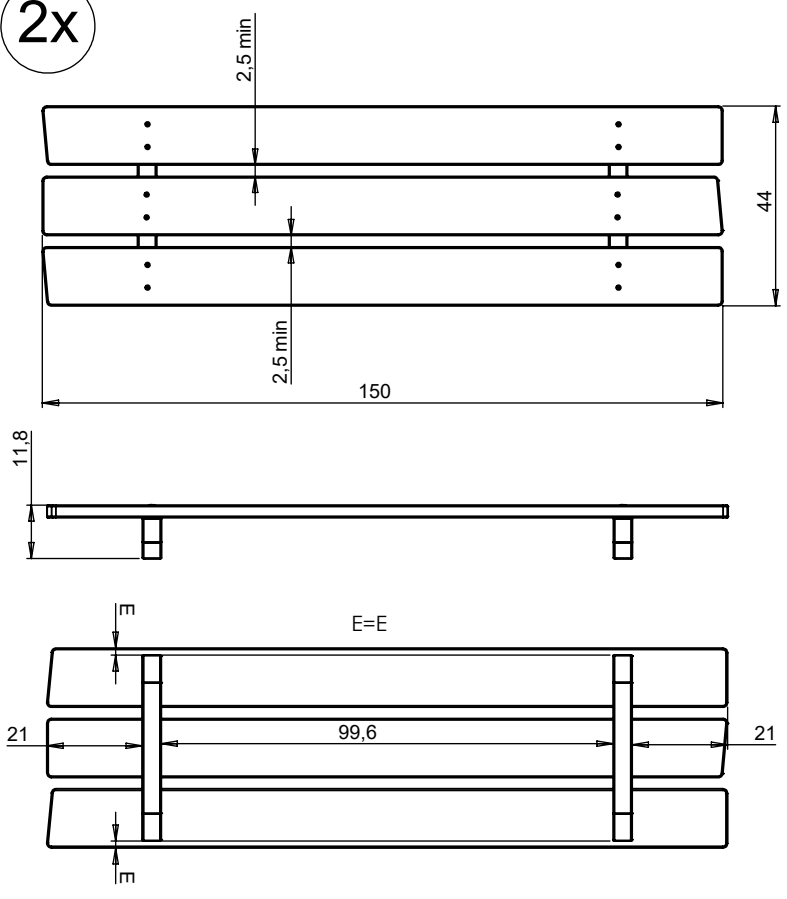


127717

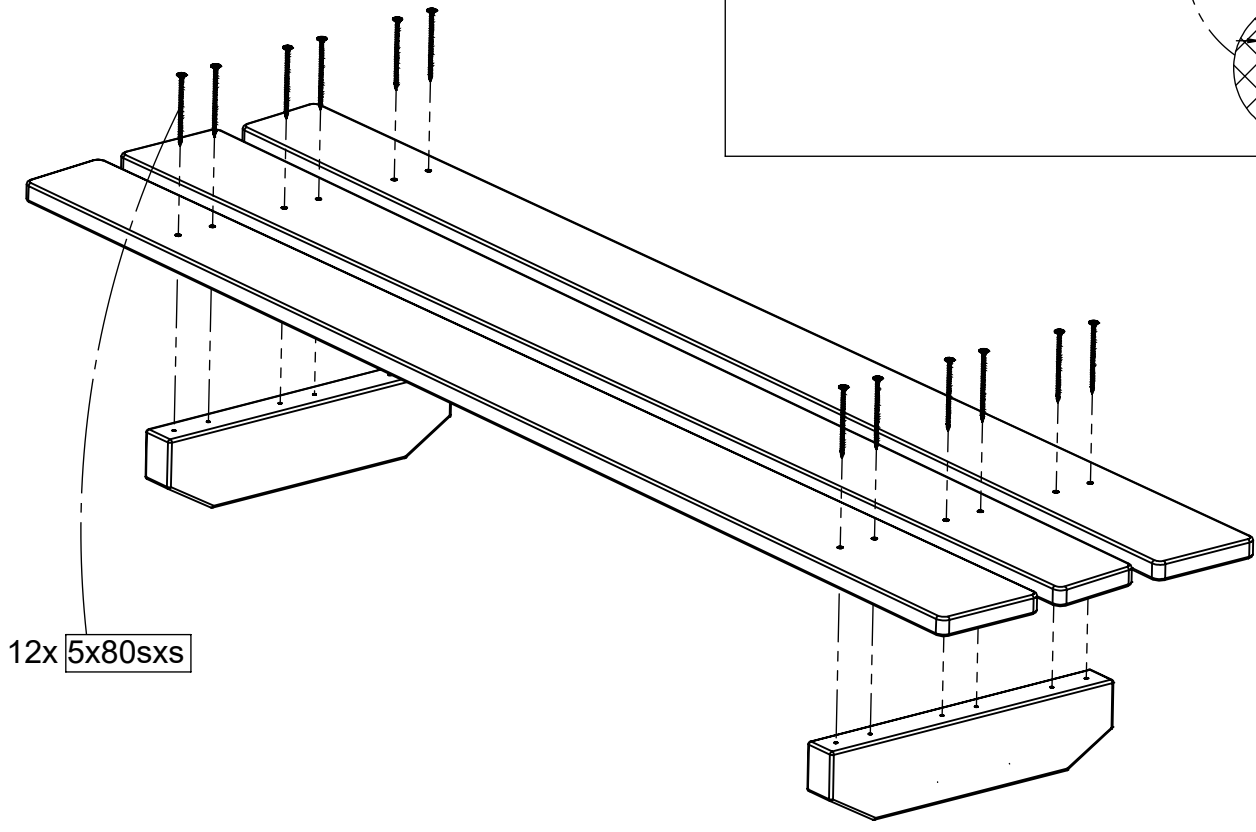
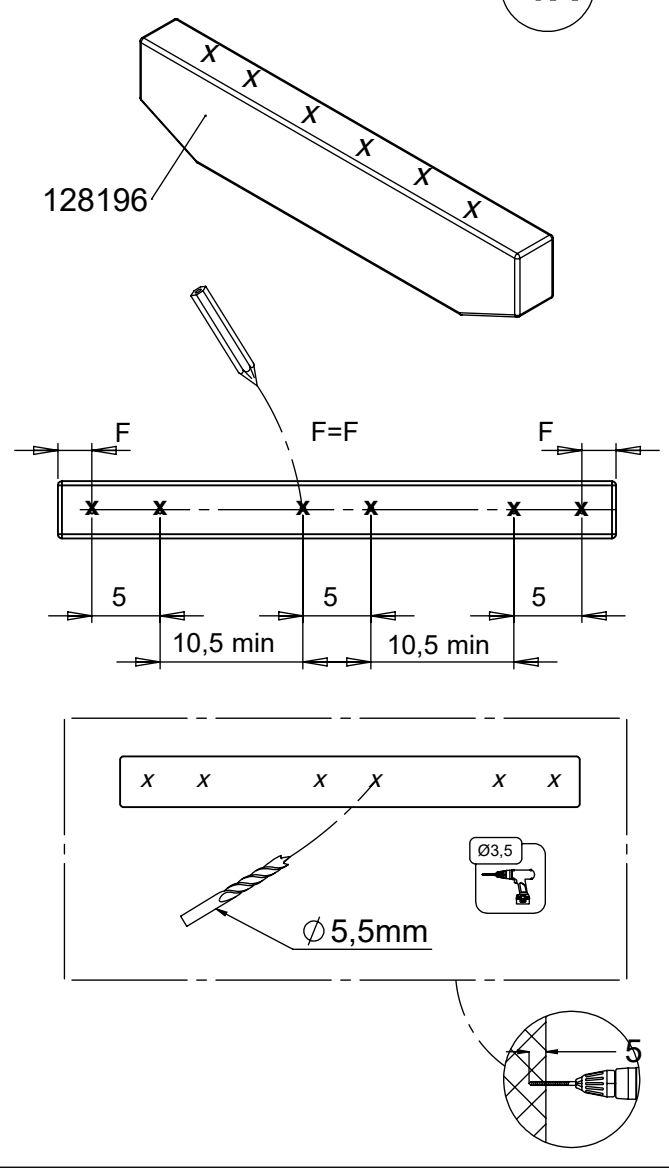
[cm]

vinci
play

2x



4x

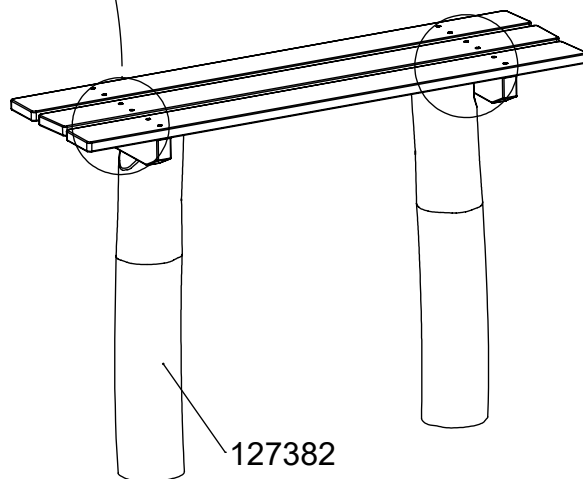
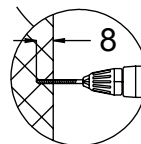
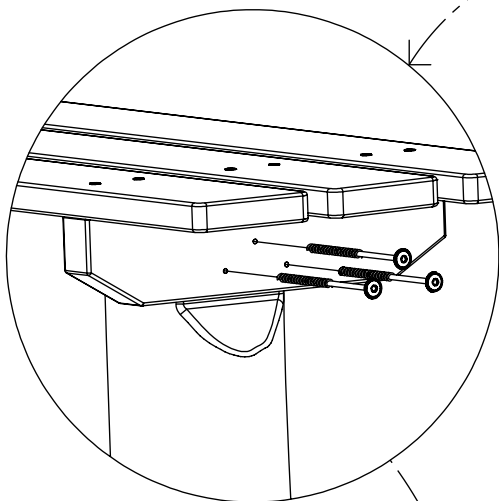
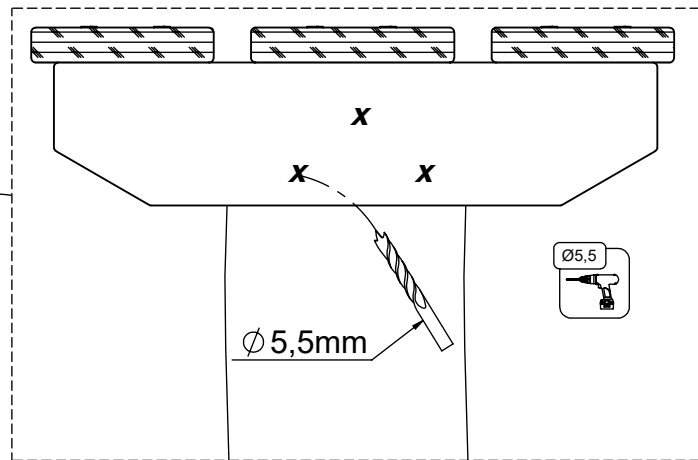
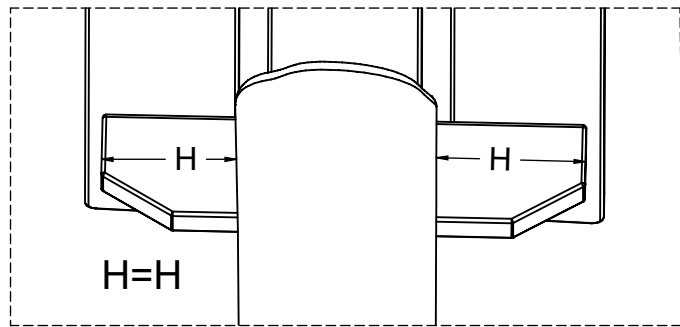
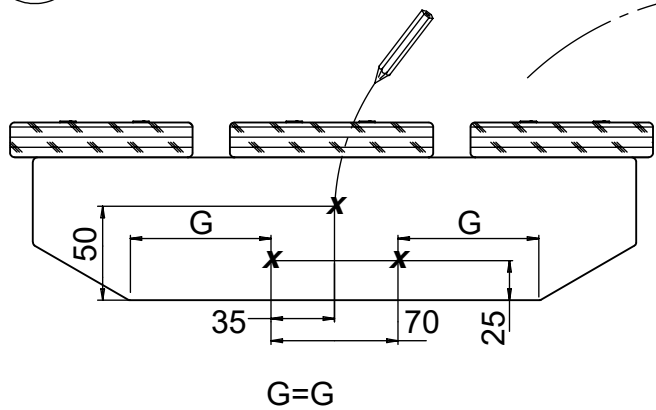


12x 5x80sxs

[cm]

vinci play

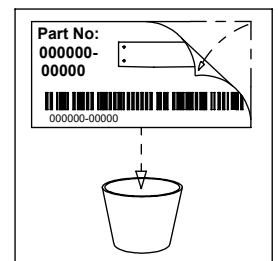
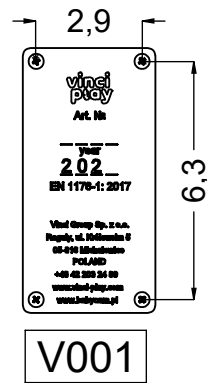
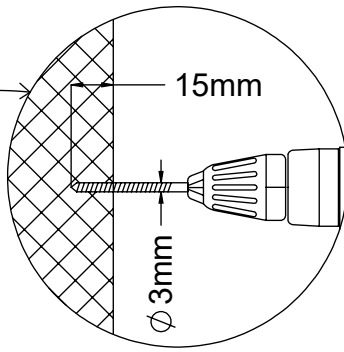
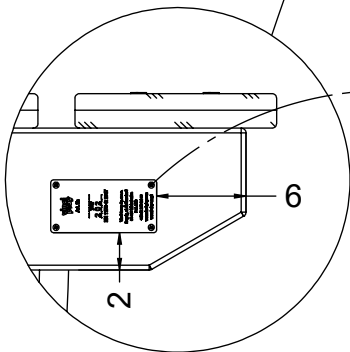
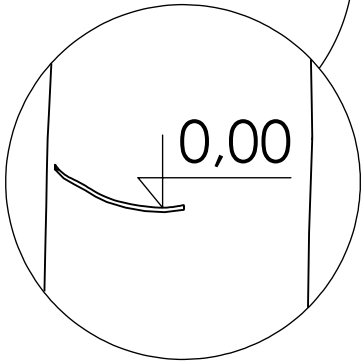
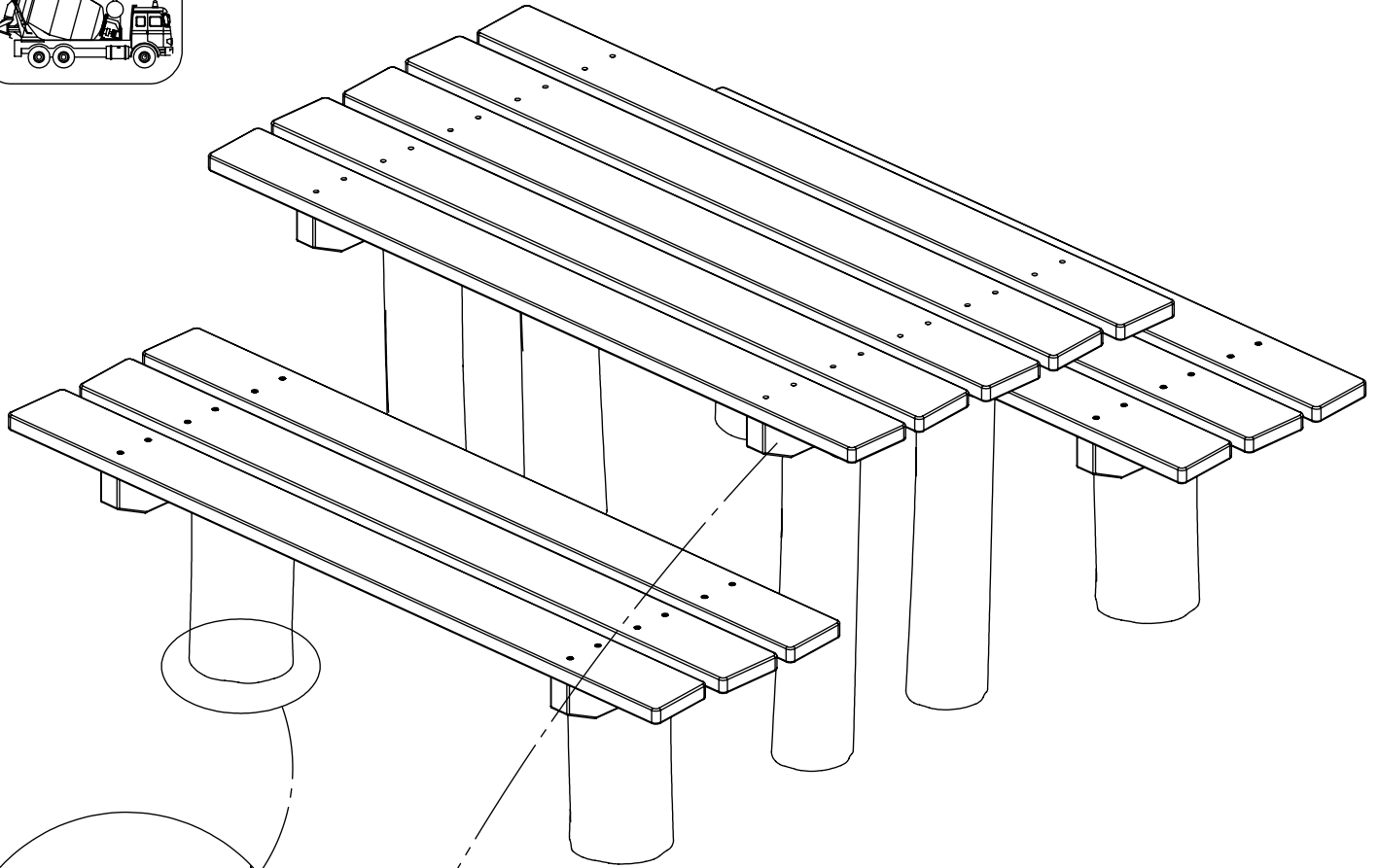
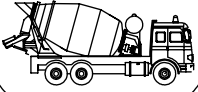
2x



[cm]

vinci
play

48h



[cm]

vinci
play