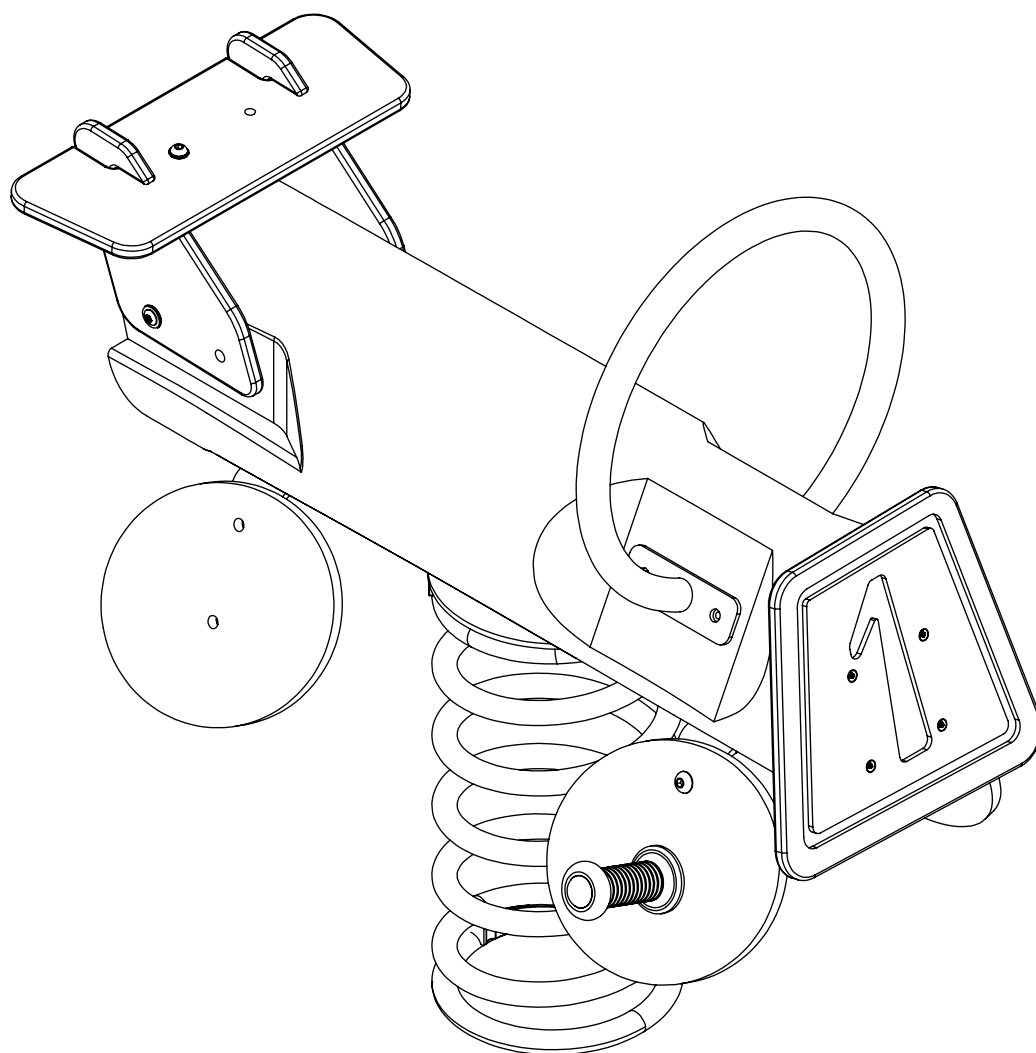
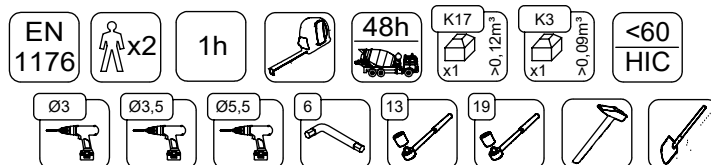


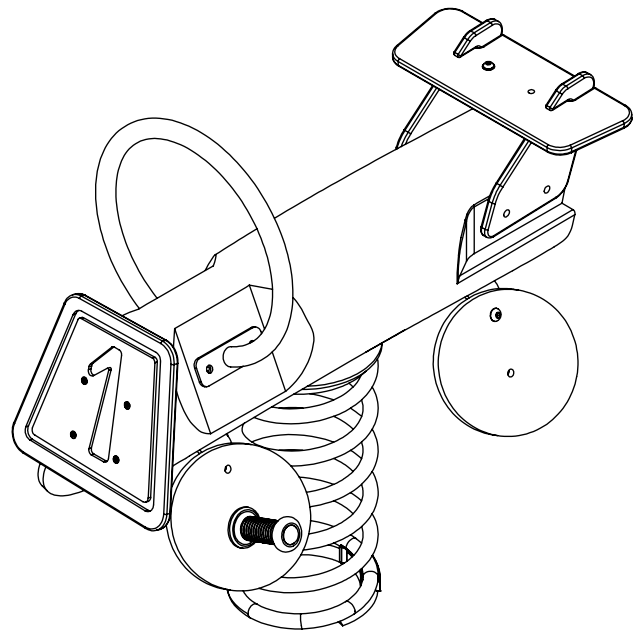
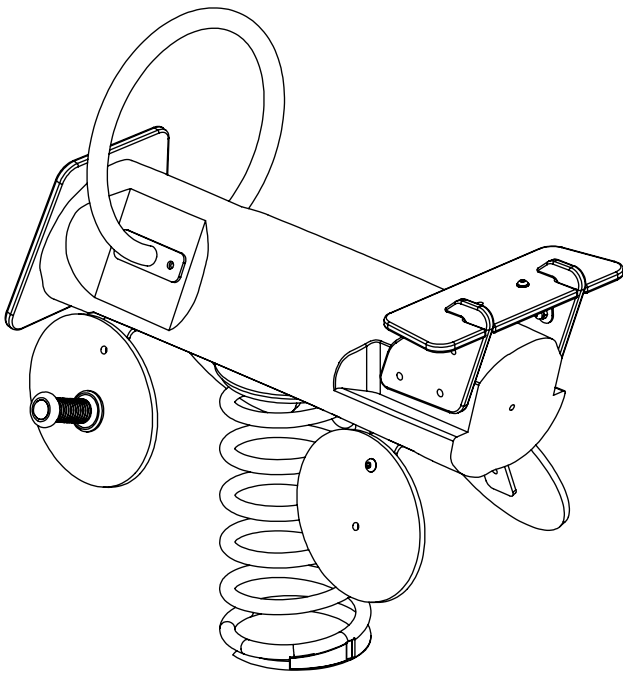
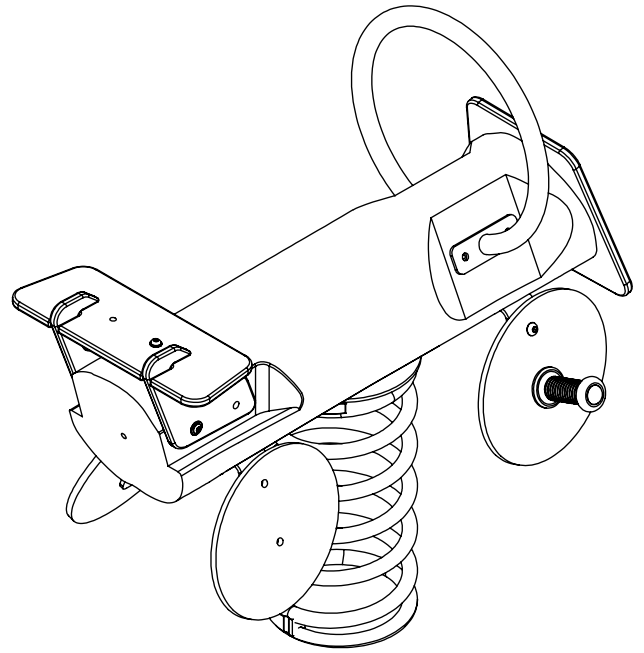
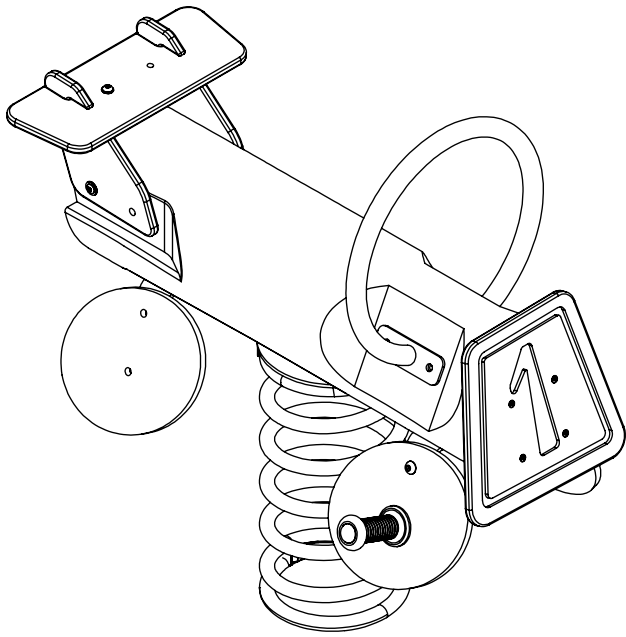
RB1366



v010
04.05.2022
D. P.
[cm]

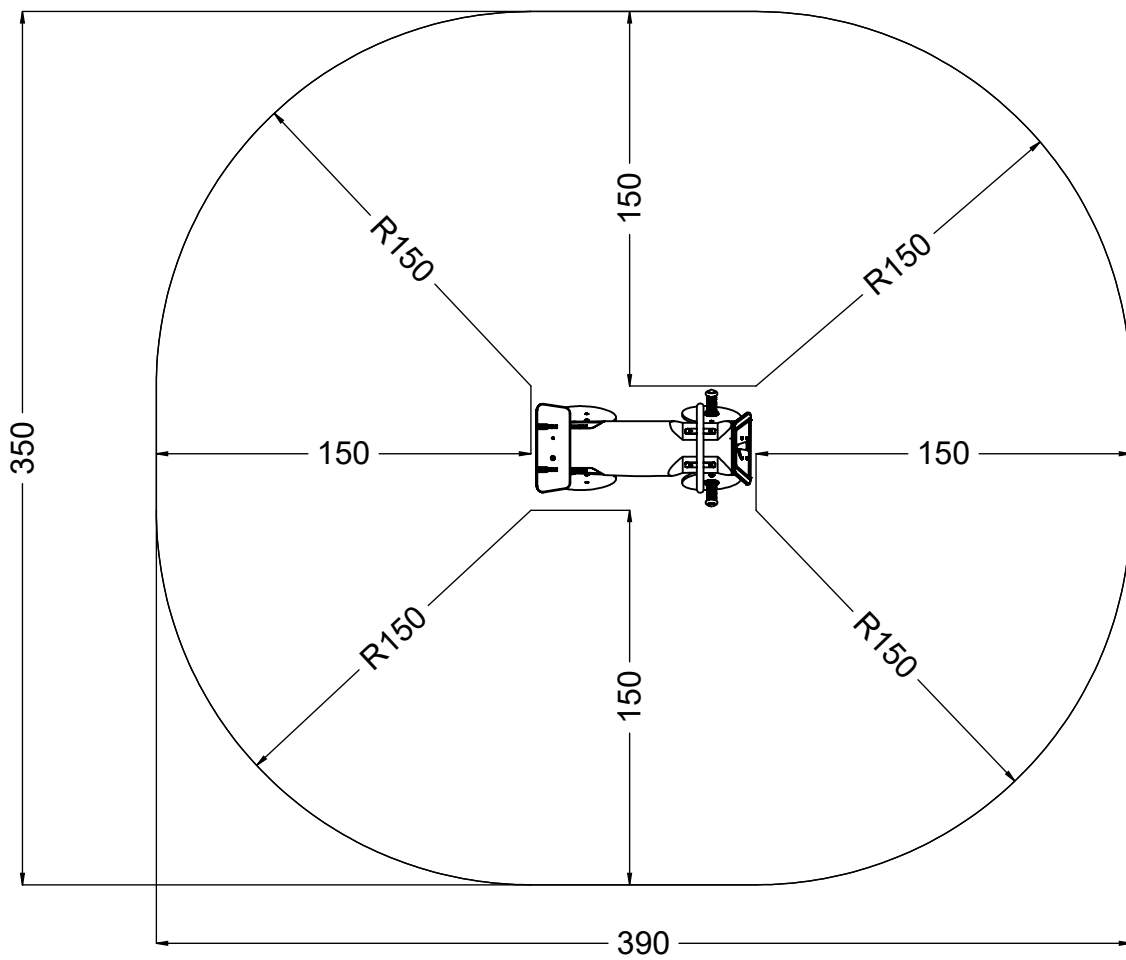
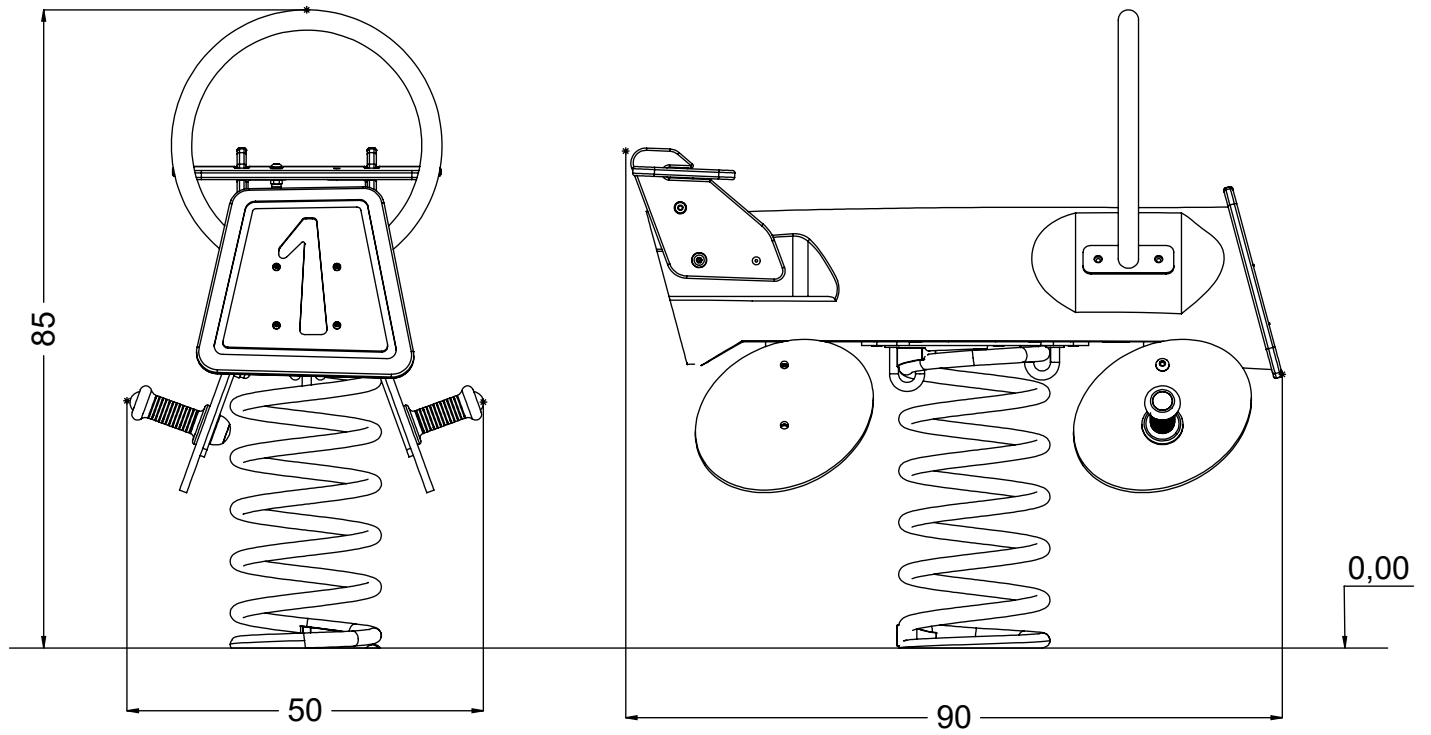


vinci
play



[cm]

vinci
play

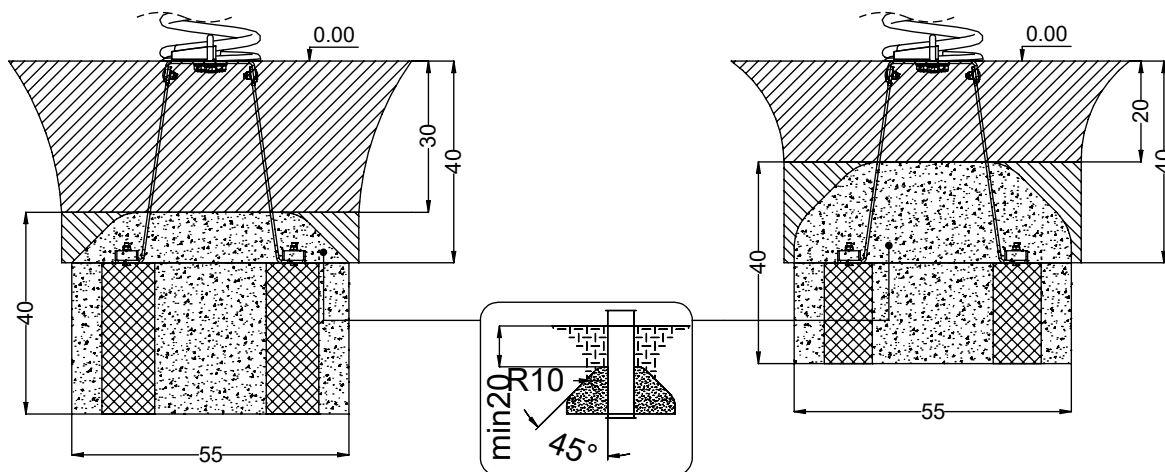


[cm]

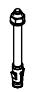




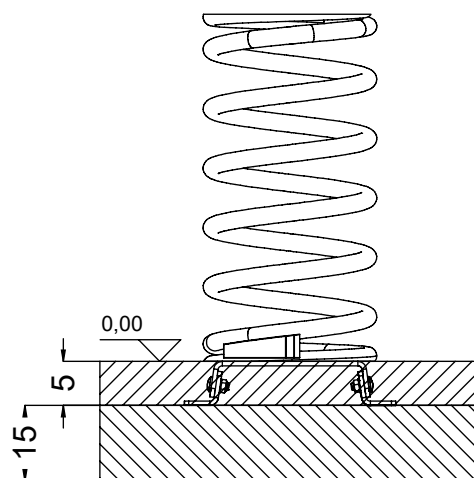
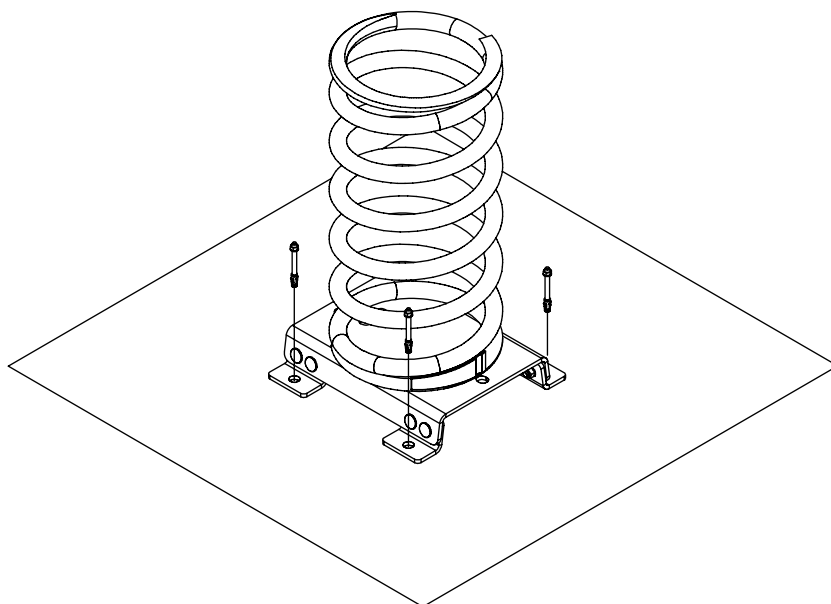
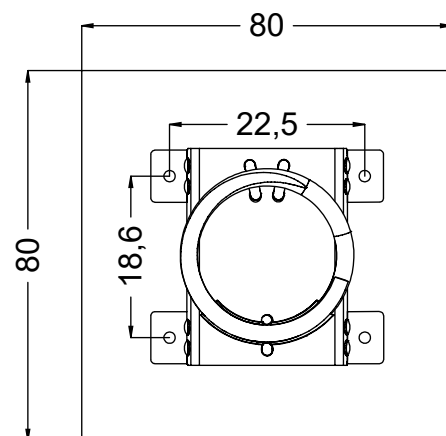
vinci
play

K17



K3

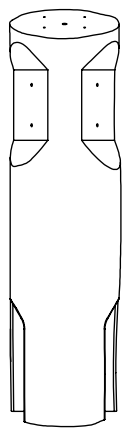
	K3
M10x120 x4	
NOT INCLUDED	



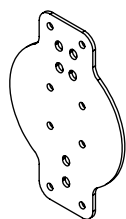
[cm]

 x2	3h			K17 x1 >0.12m ²	48h 	K3 x1 >0.09m ²
--	----	---	---	----------------------------------	--	---------------------------------

vinci
play



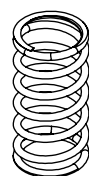
127718
x1



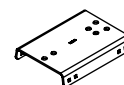
B393
x1



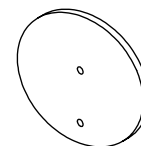
122105
x1



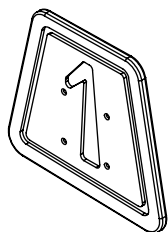
996171
x1



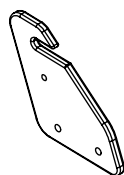
B239
x1



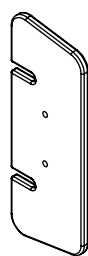
126115
x4



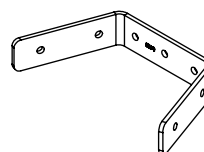
121172
x1



121173
x2

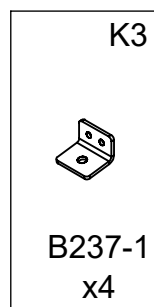
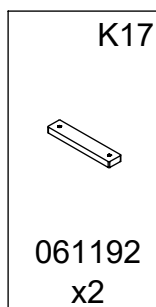
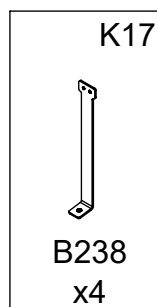


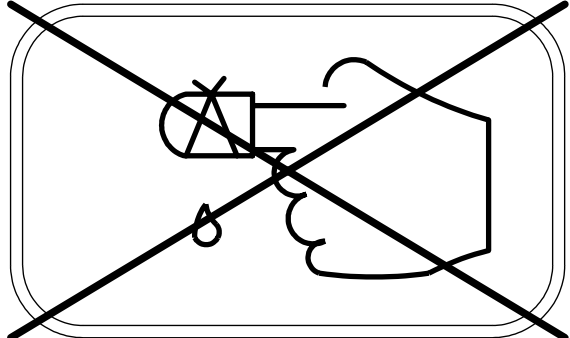
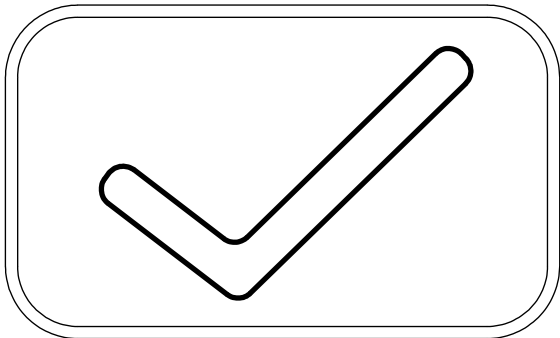
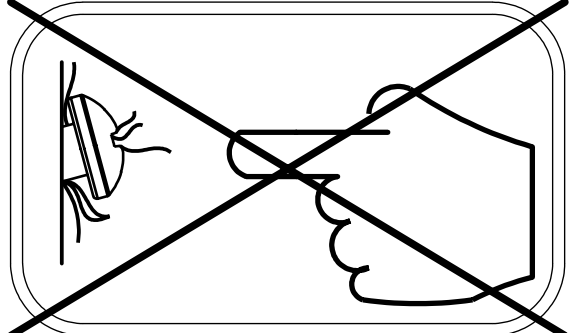
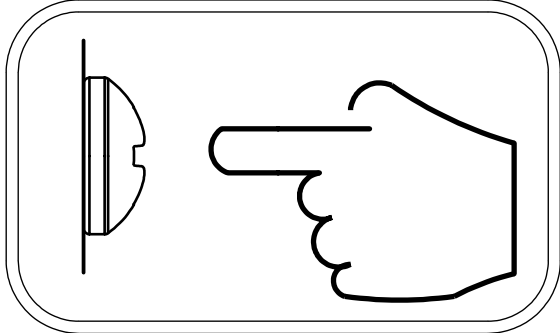
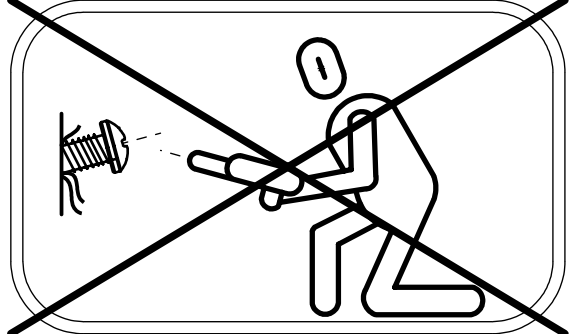
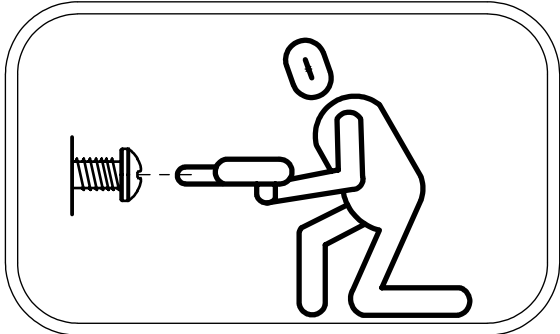
121174
x1



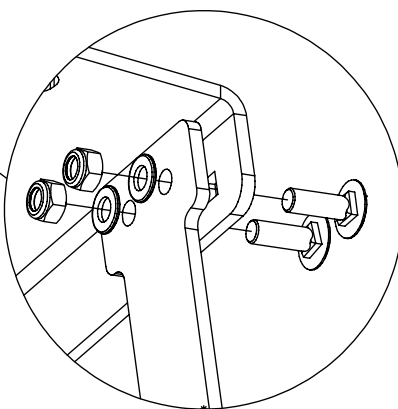
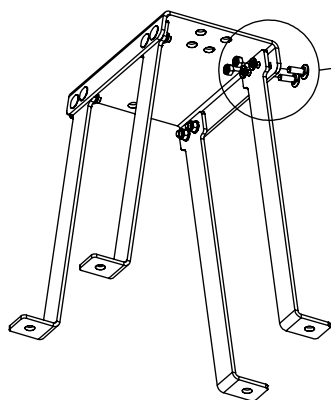
b723
x2

1x	SP3 (K17)
1x	SP1
2x	SP2
1x	c170
2x	E261
3x	CE120
4x	8pp
4x	10pp
4x	5x50 sxs
22x	8x50 sxi
1x	V001

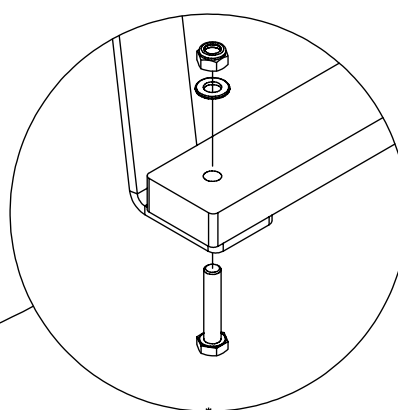
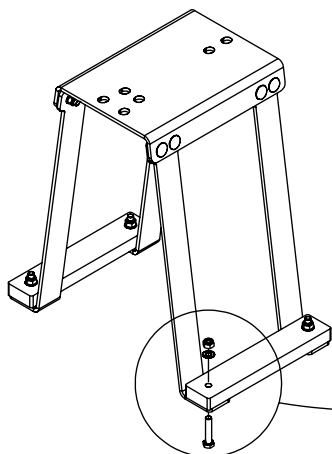




K17

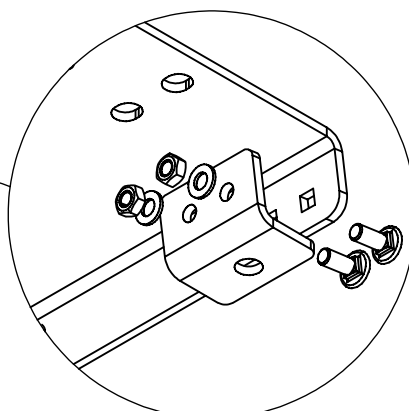
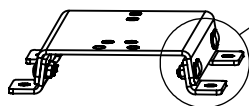


SP1 x1



SP3 x1

K3

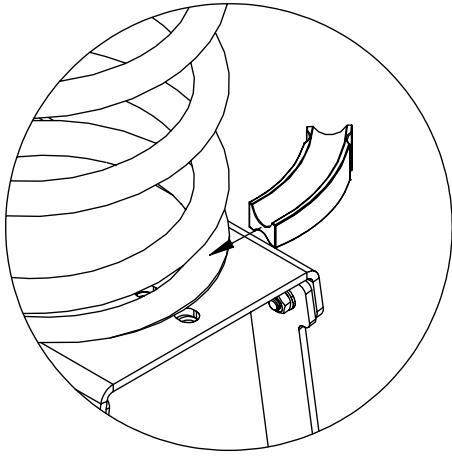


SP1 x1

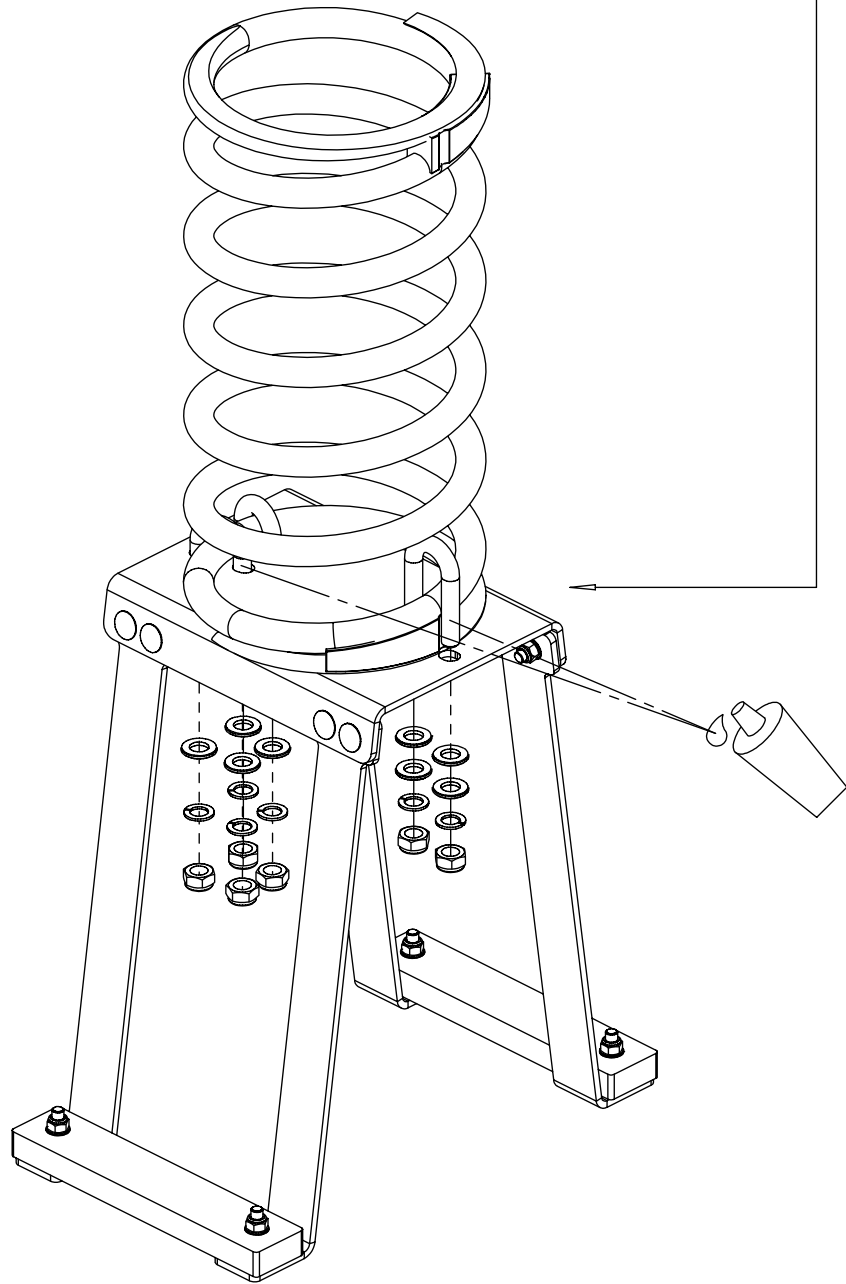
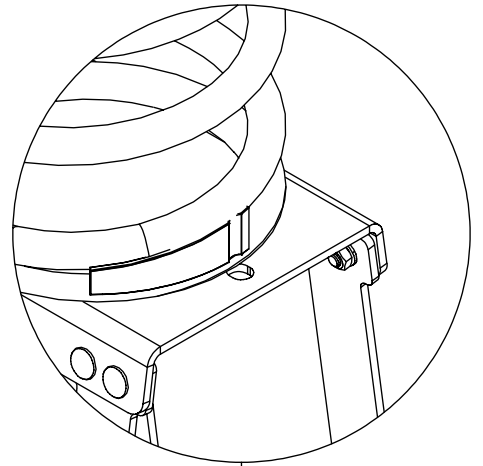
[cm]



vinci
play



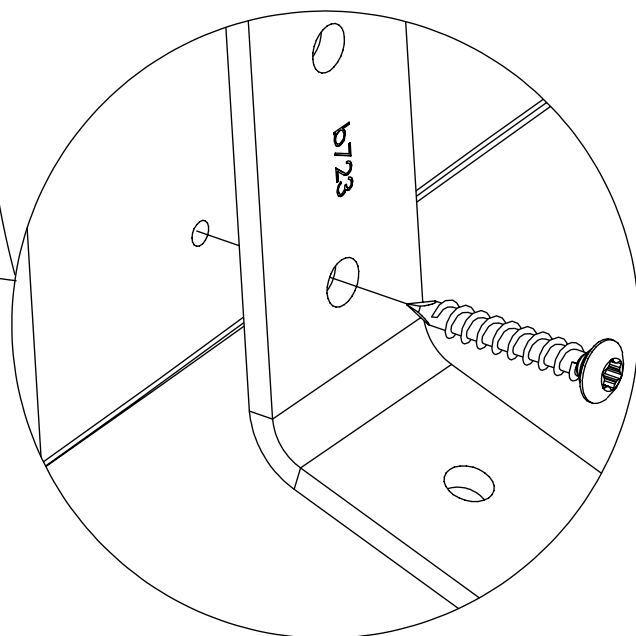
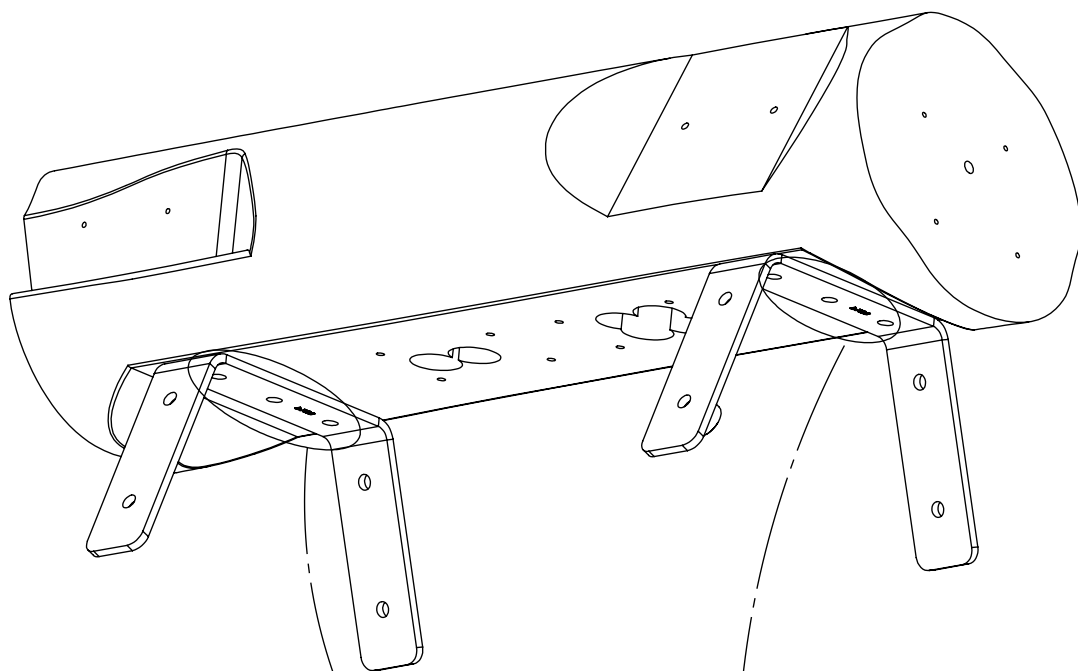
SP2 x1



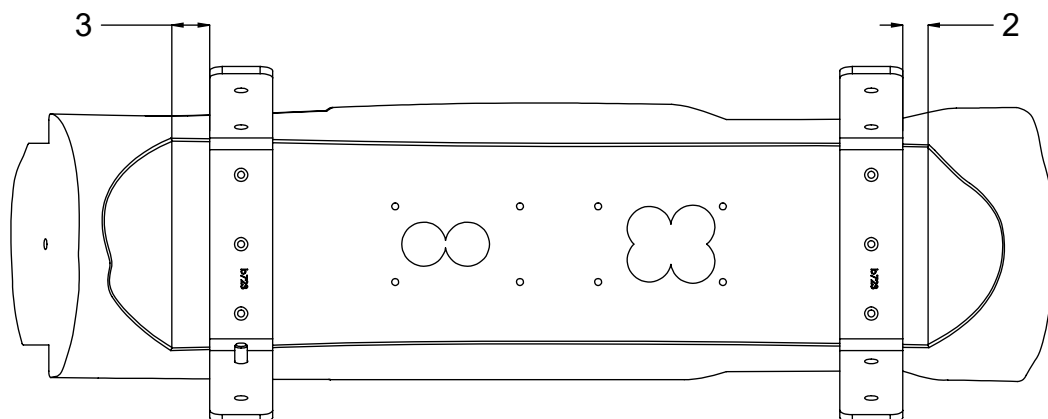
[cm]



vinci
play

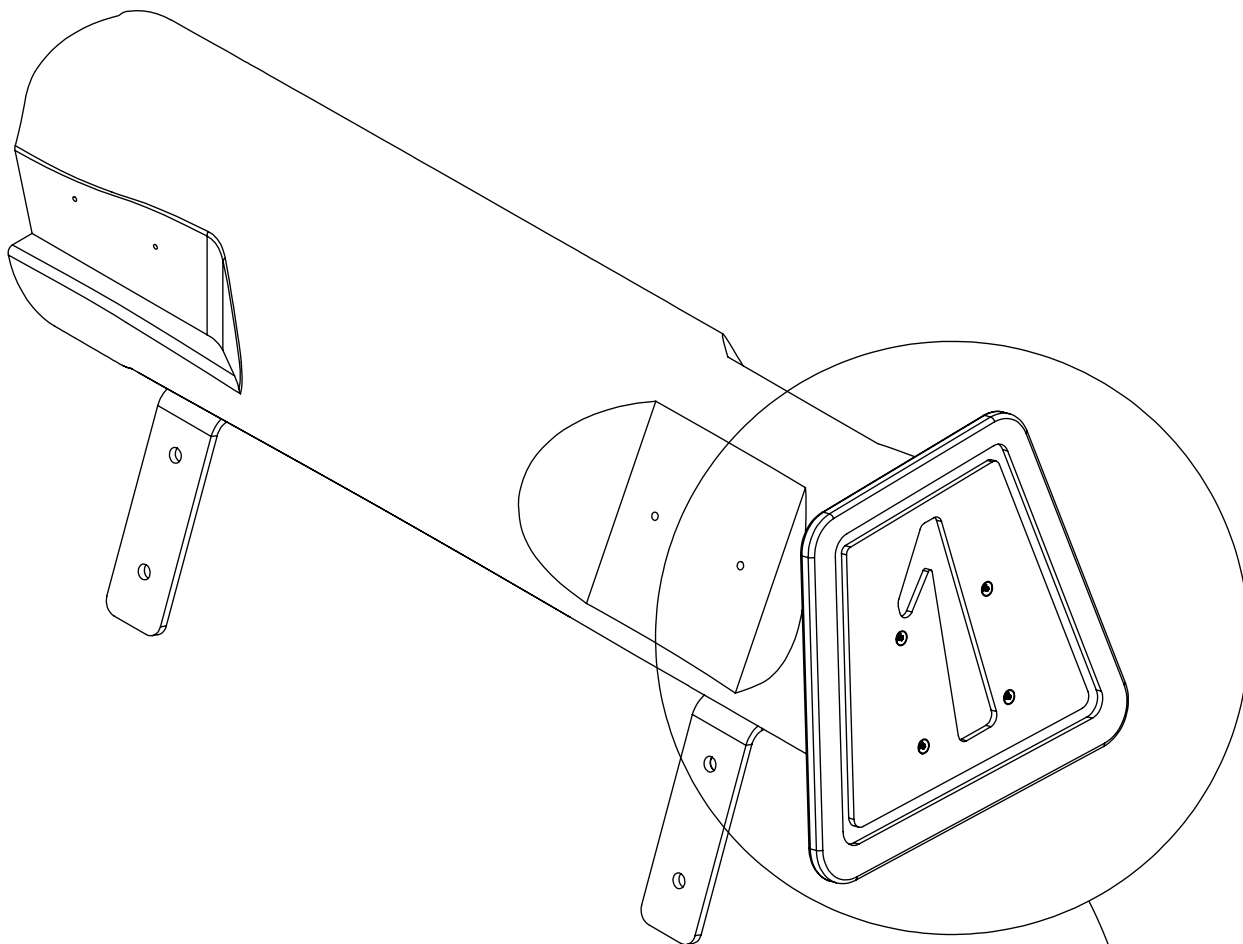


6x 8x50sxi

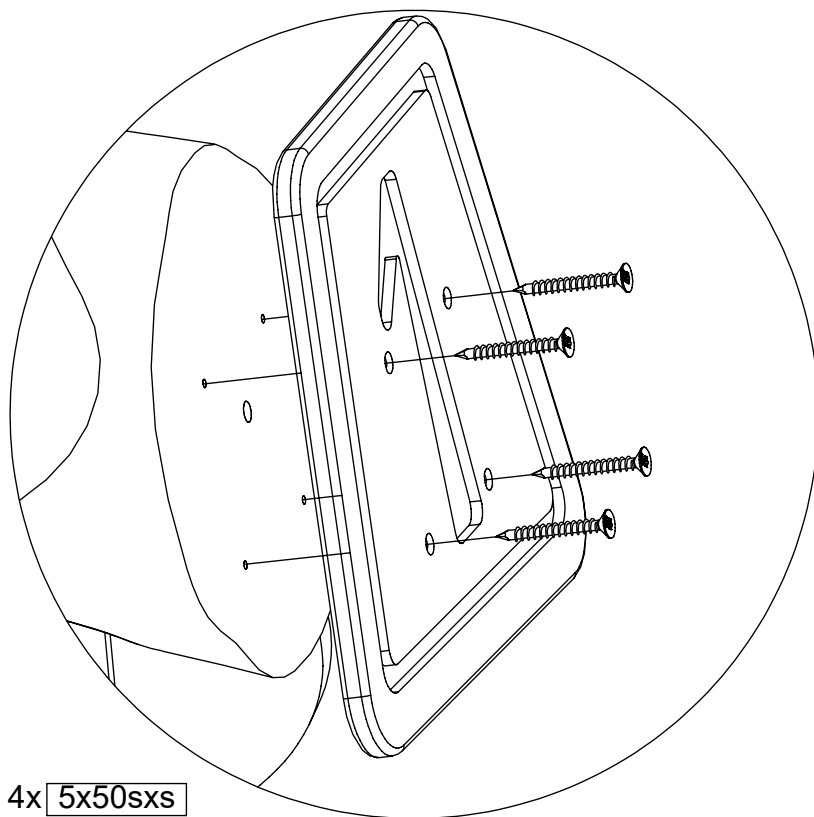


[cm]

vinci
play



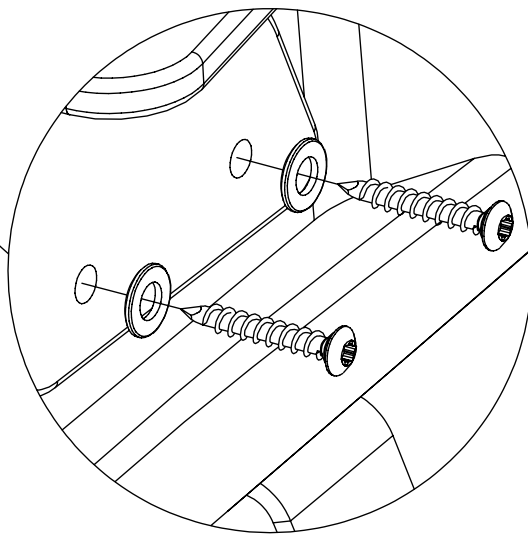
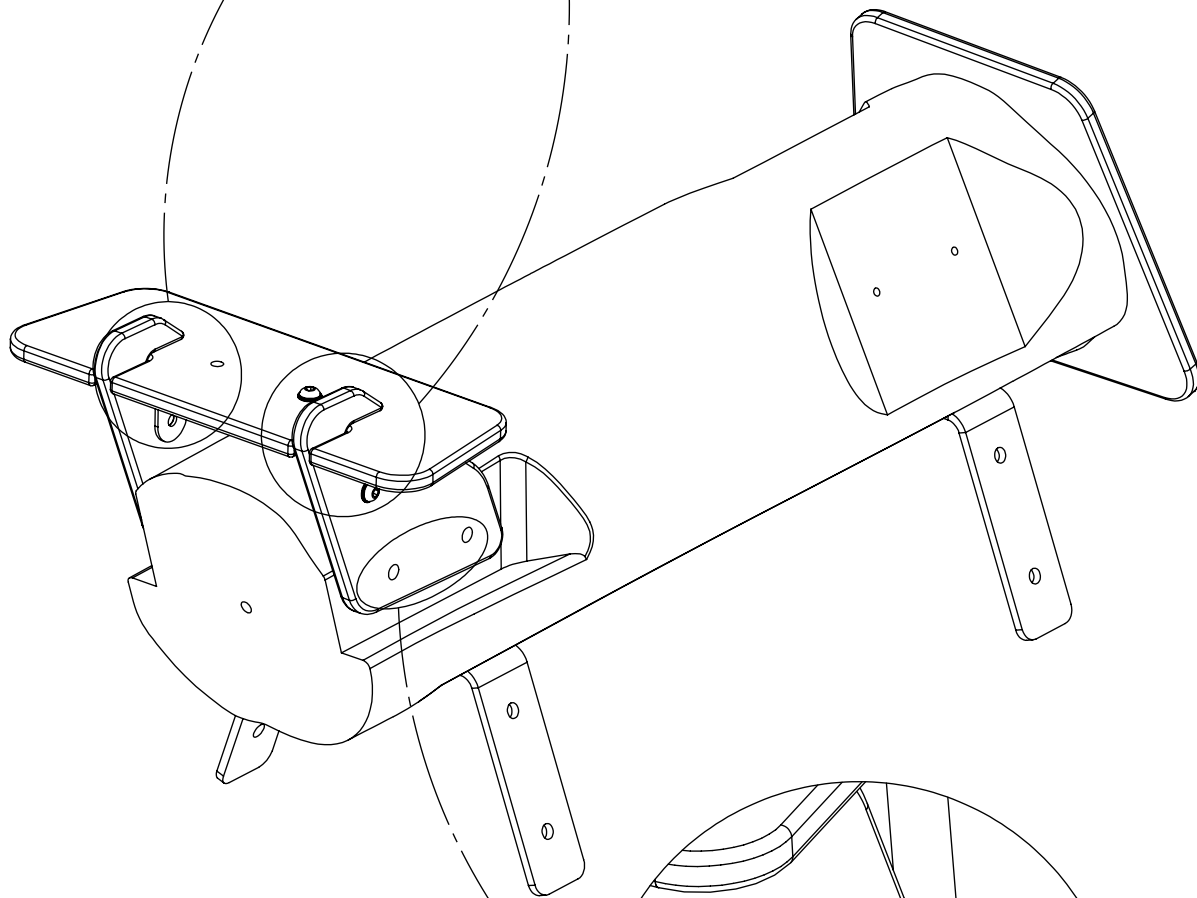
4x 5x50sxs



[cm]

vinci
play

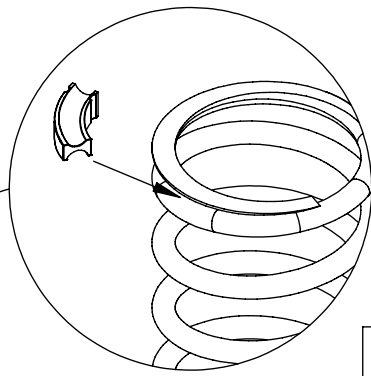
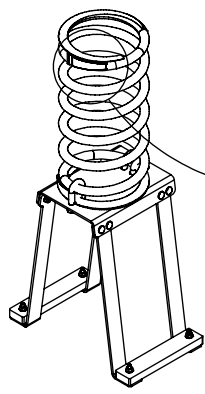
1x **c170**
4x **8pp**



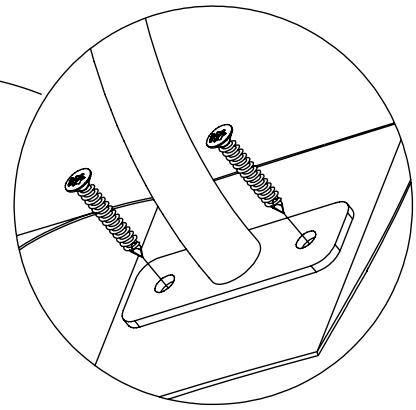
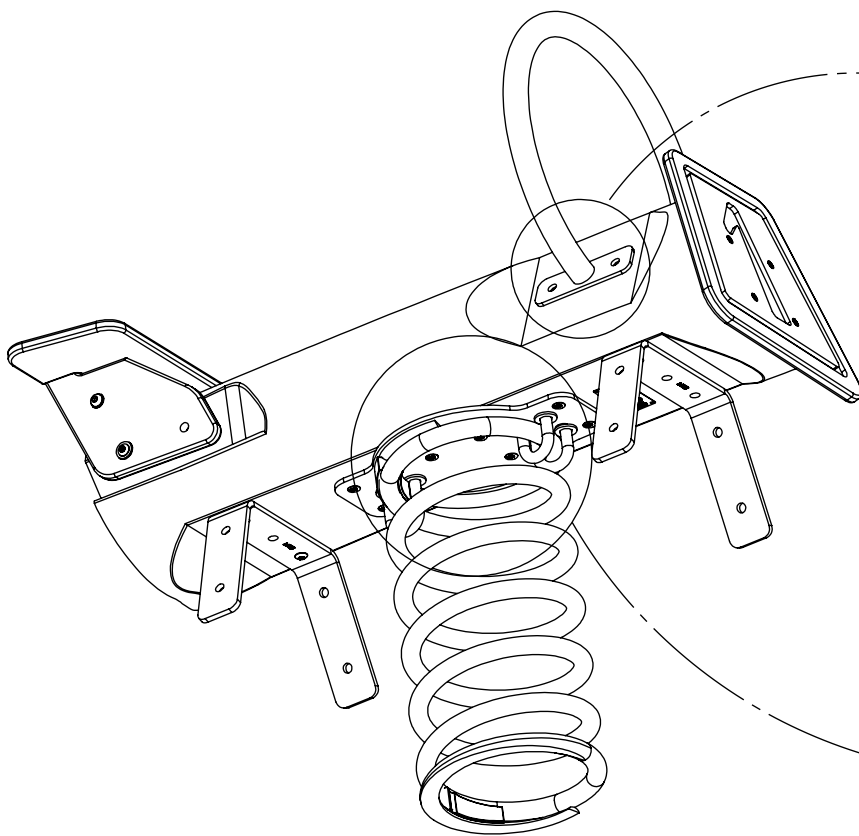
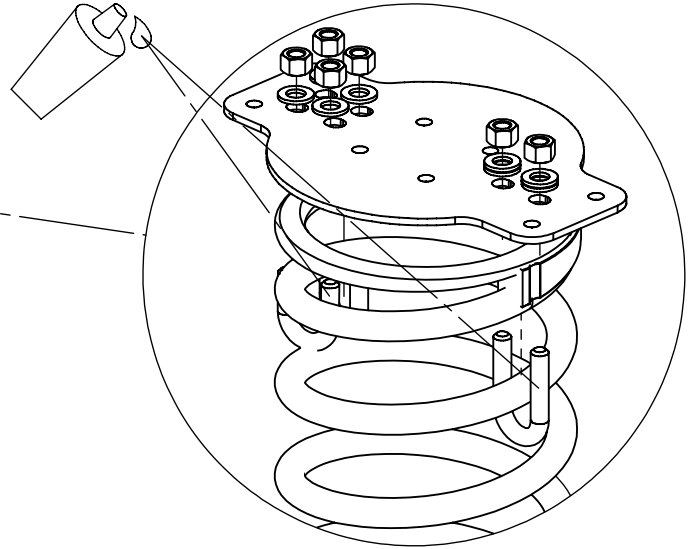
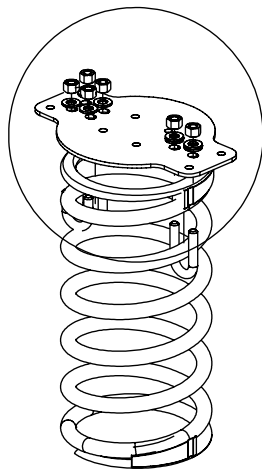
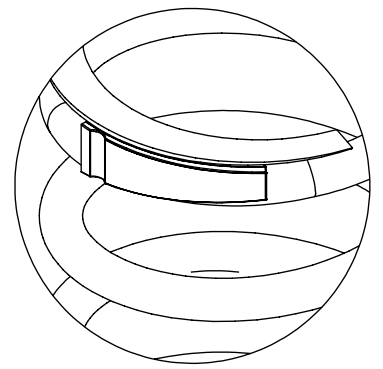
4x **8x50sxi**
4x **10pp**

[cm]

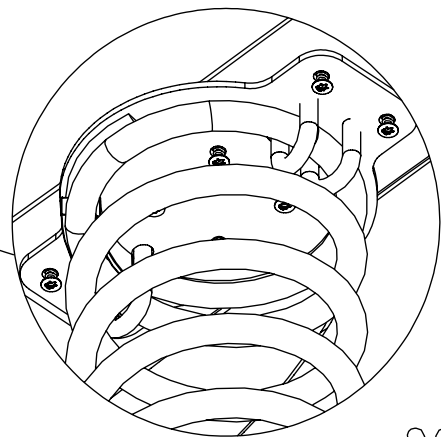
vinci
play



SP2 x1



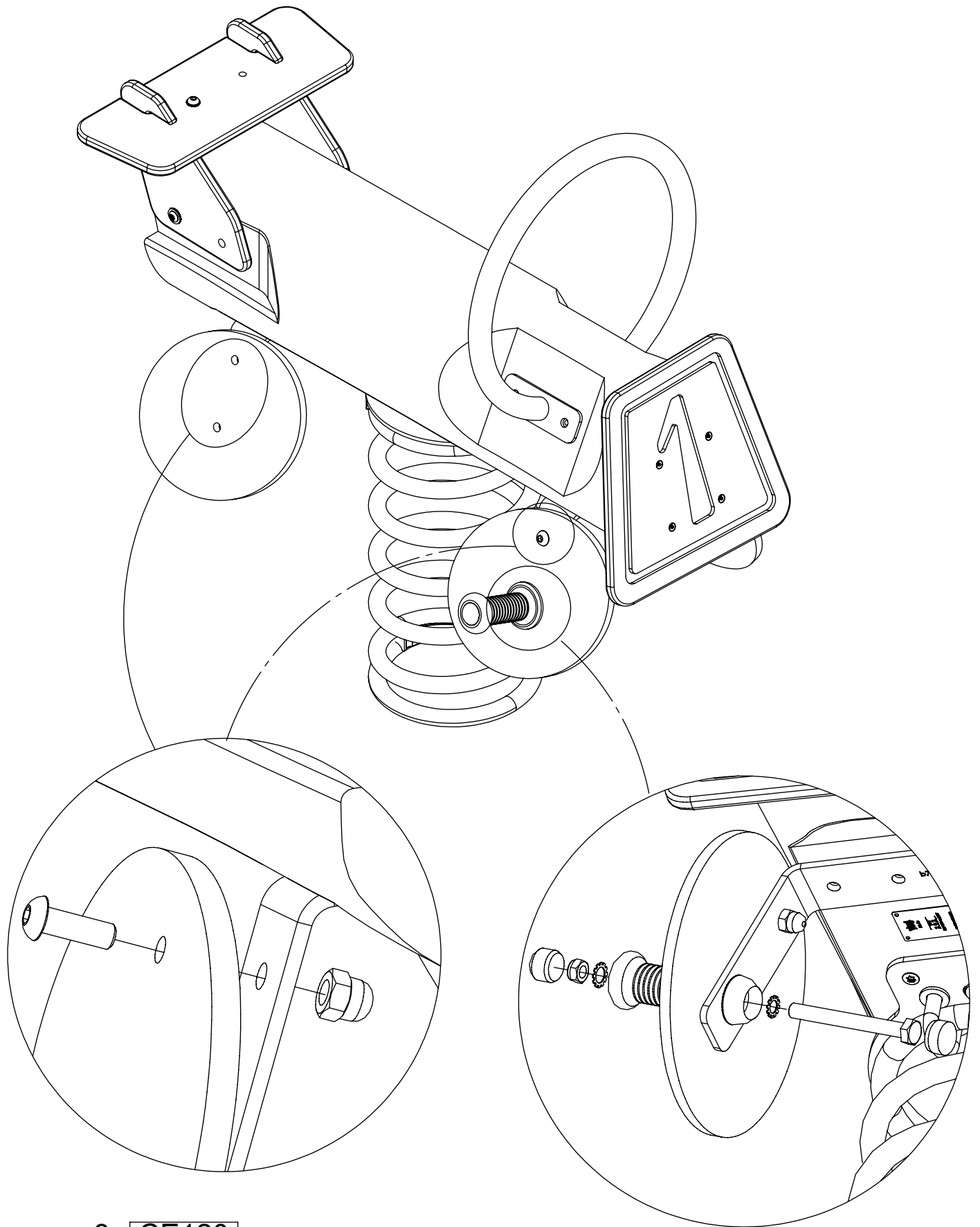
12x 8x50sxi



[cm]



vinci play

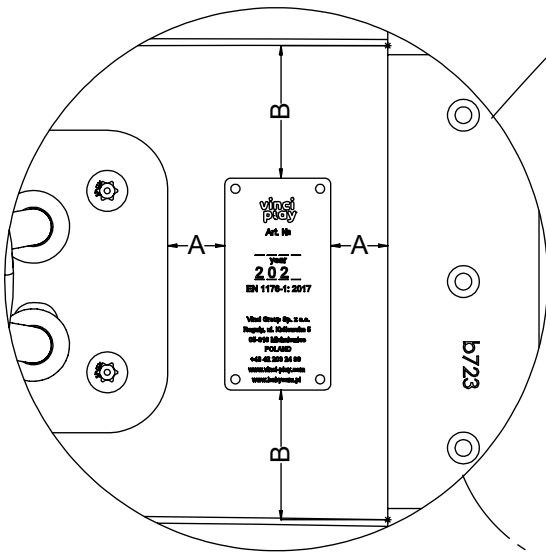
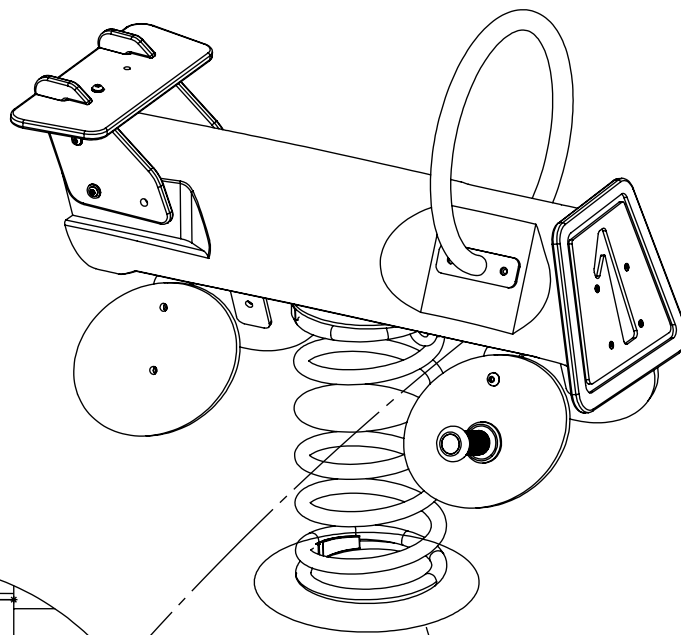


3x **CE120**

2x **E261**

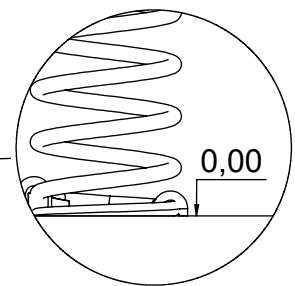
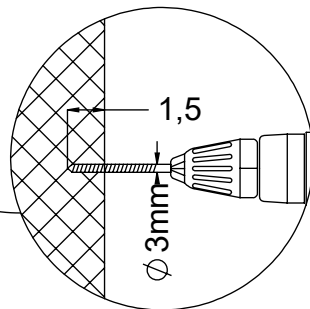
[cm]

vinci
play




A=A
B=B

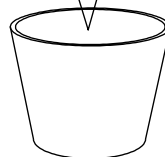
V001 x1



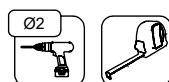
Part No:
000000-
00000



000000-00000



[mm]



vinci
play