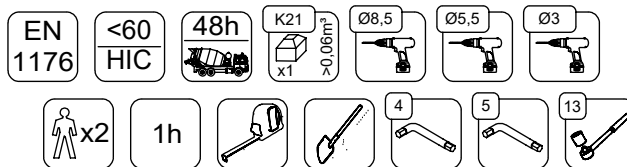
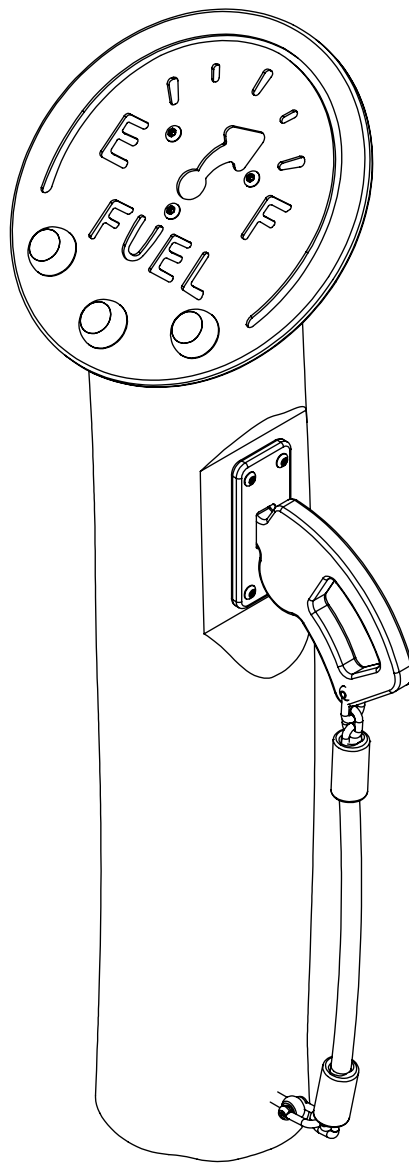
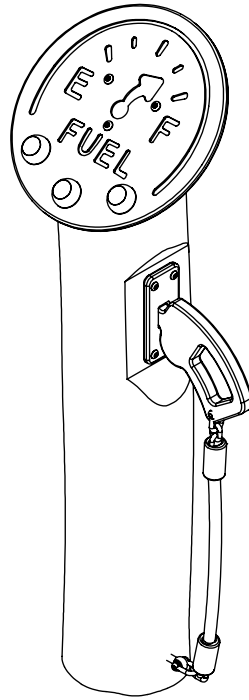
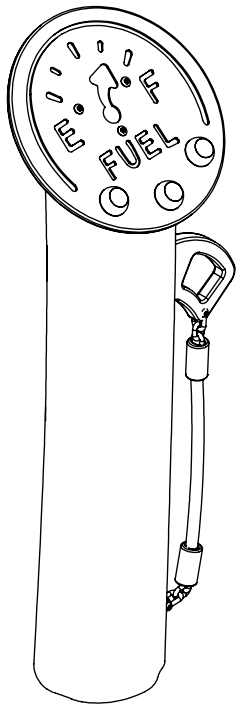
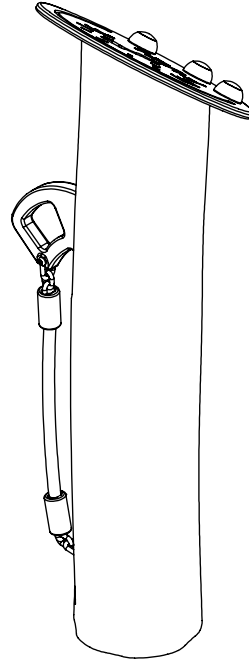
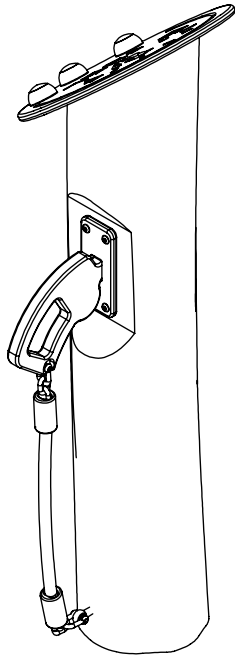


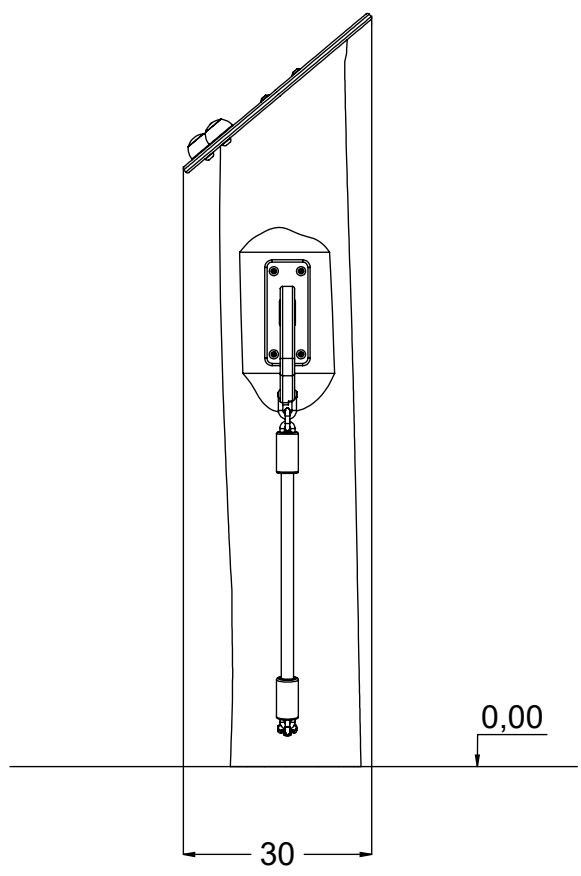
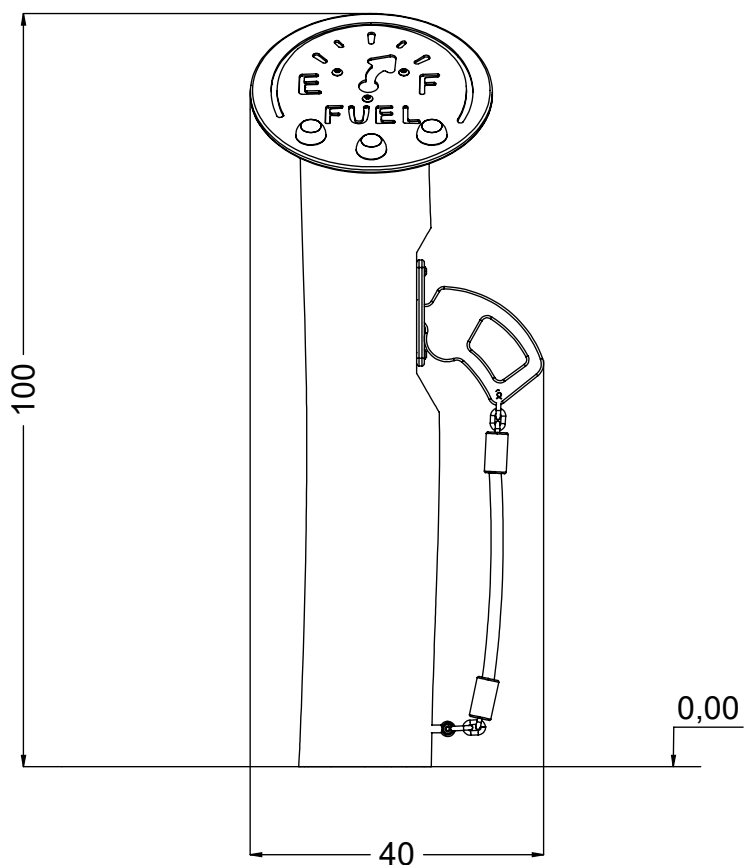
RB1338



v010
24.01.2022
D. P.
[cm]

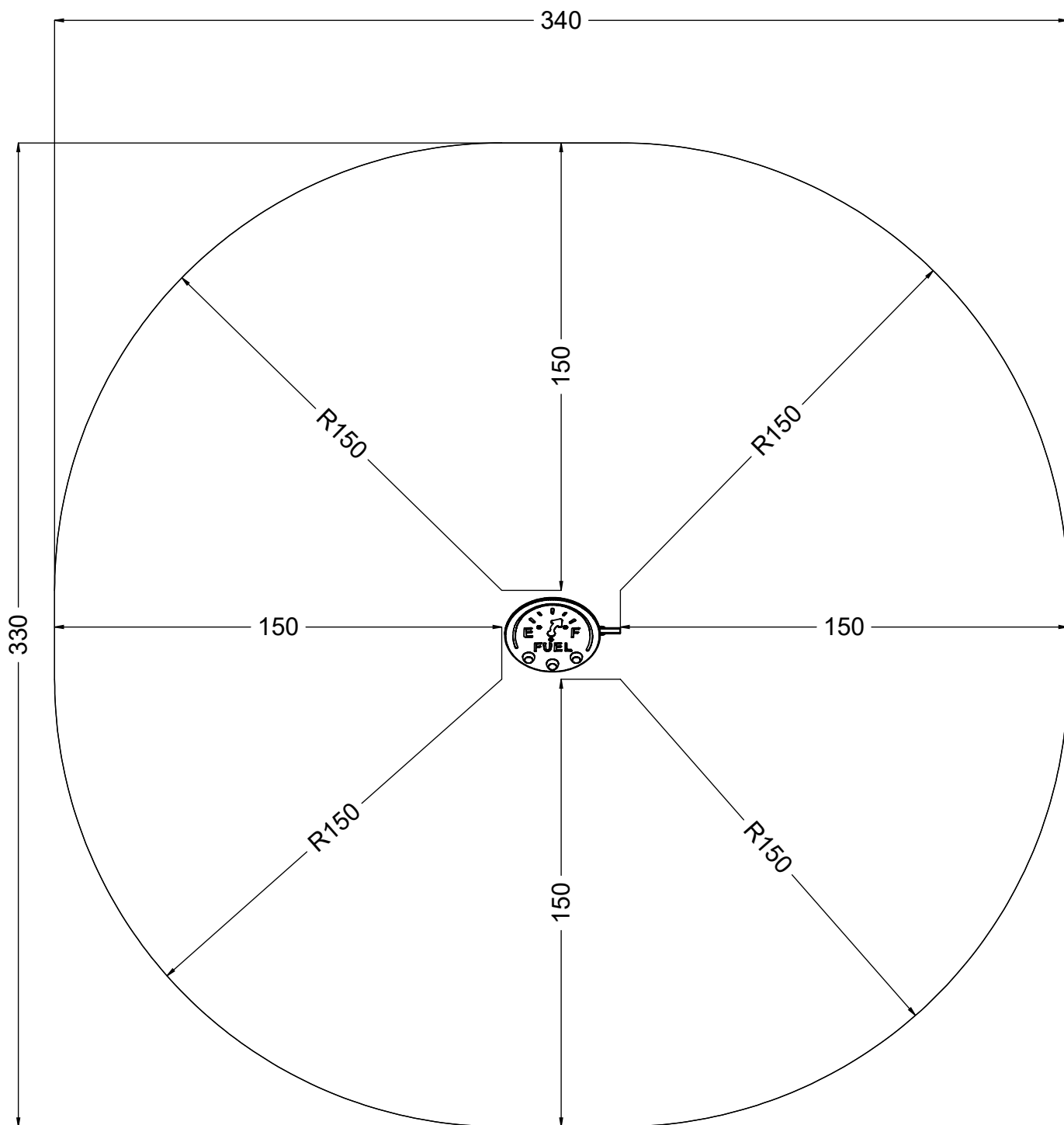
vinci
play





[cm]

vinci
play



[cm]

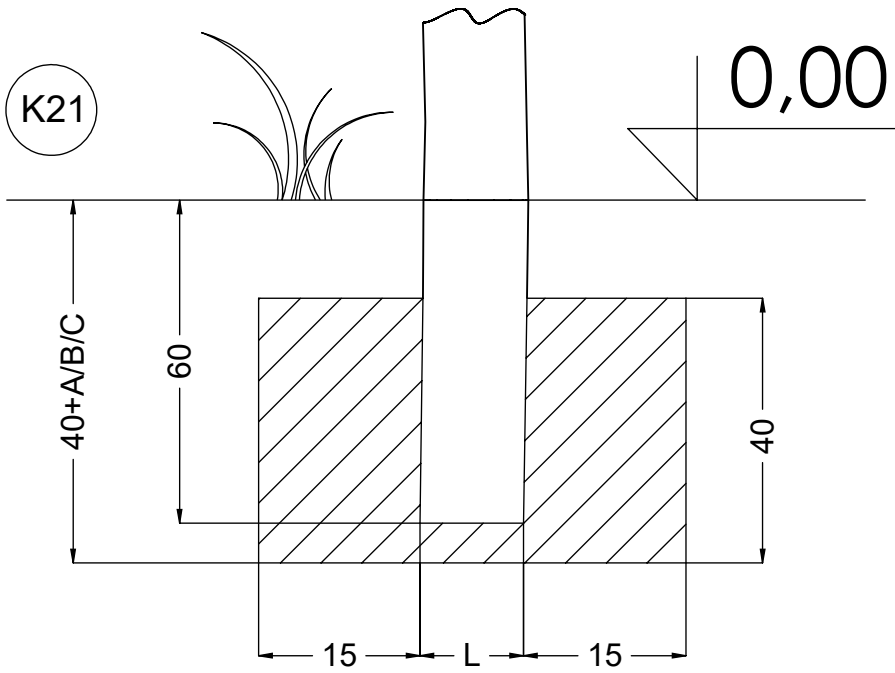


vinci
play

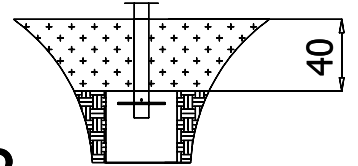
48h



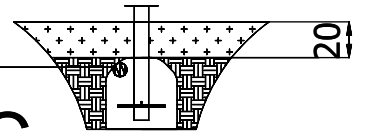
K21



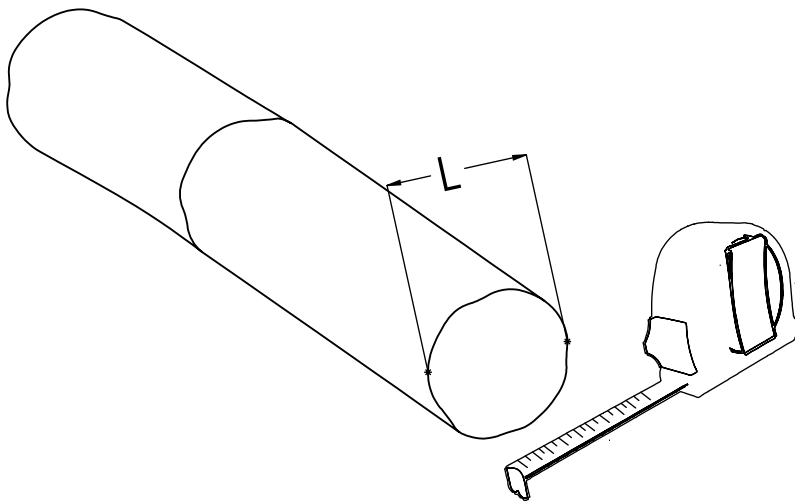
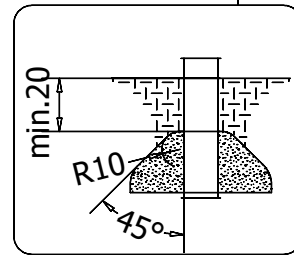
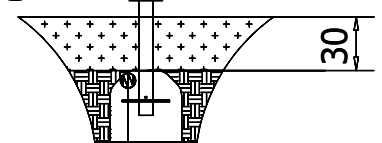
A.



B.



C.



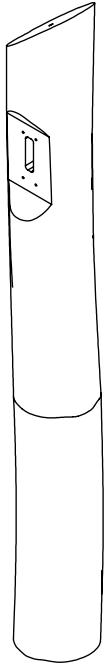
[cm]



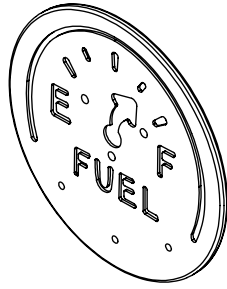
1h



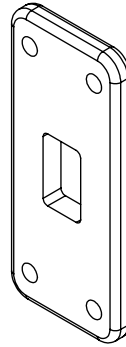
vinci play



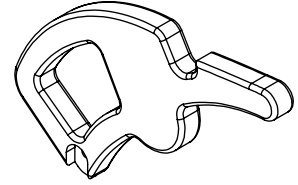
127694
x1



121165
x1



121166
x1

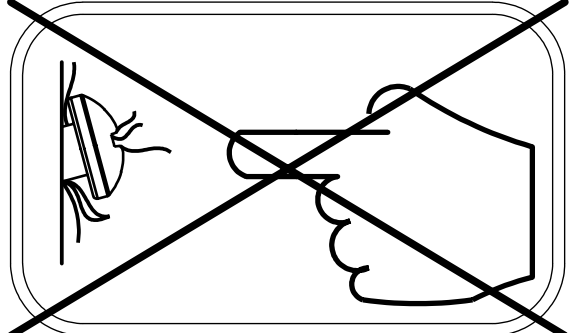
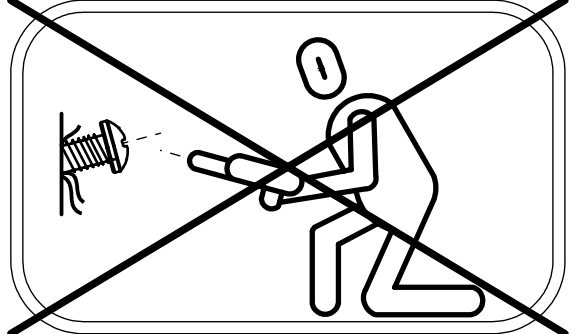
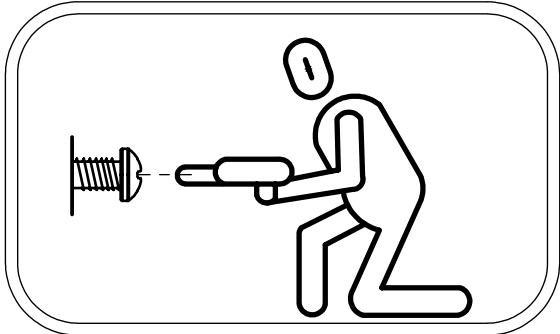


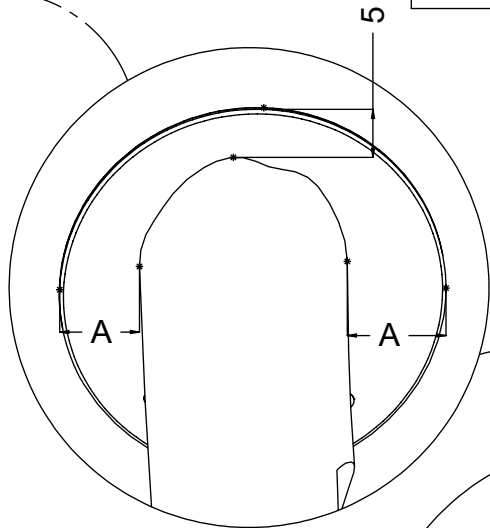
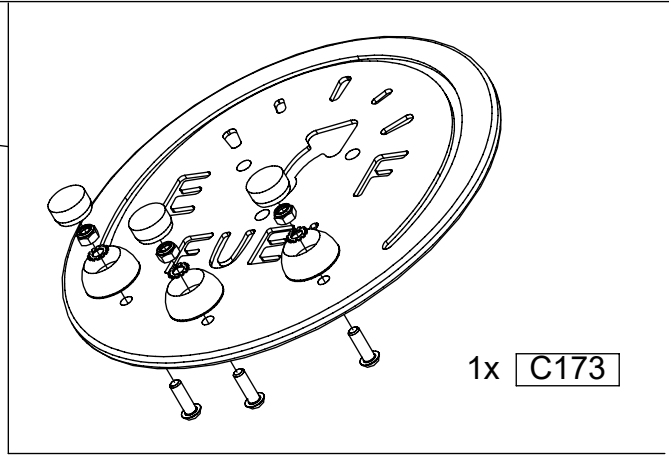
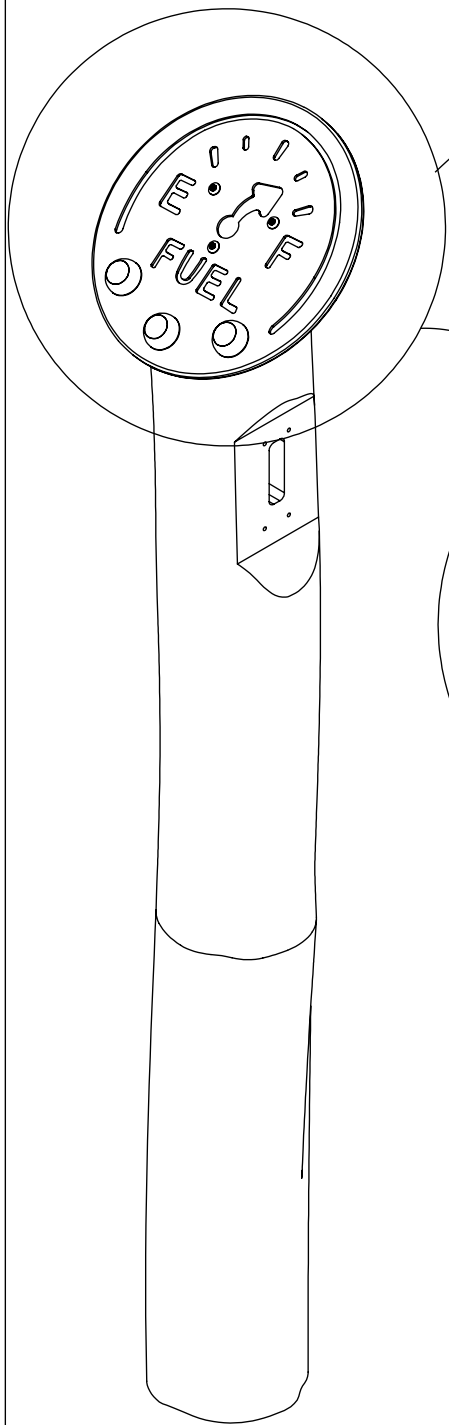
121167
x1



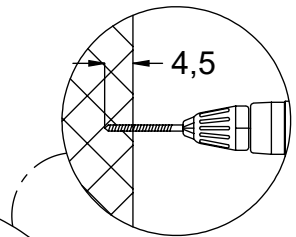
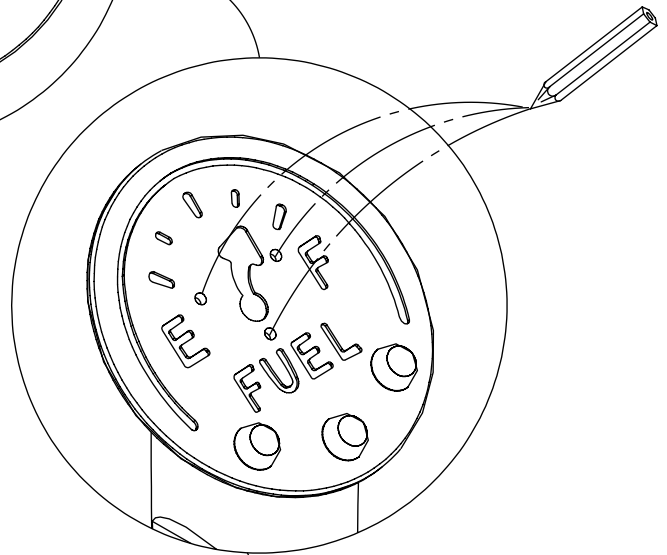
125139
x1

4x	7x35 sxi
3x	8x50 sxi
1x	C173
1x	E242
1x	V001

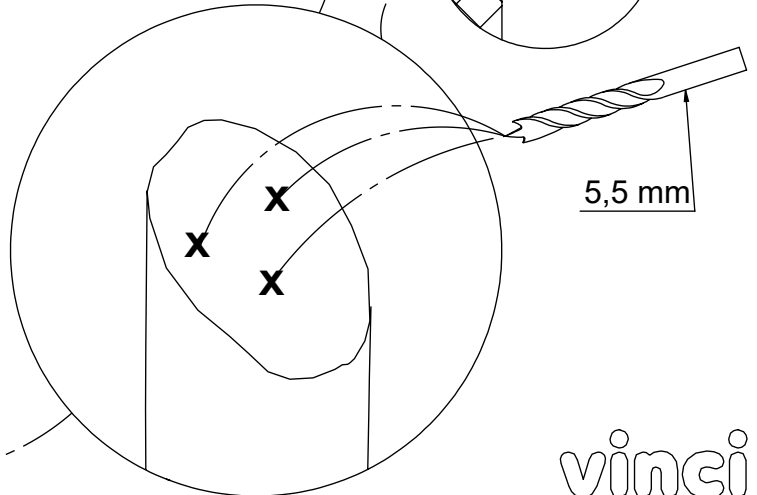
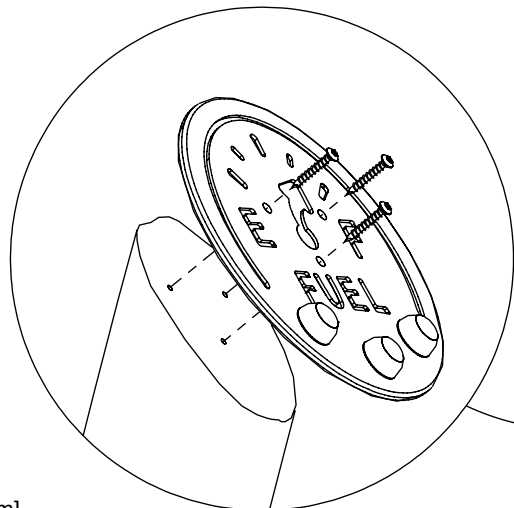




A=A



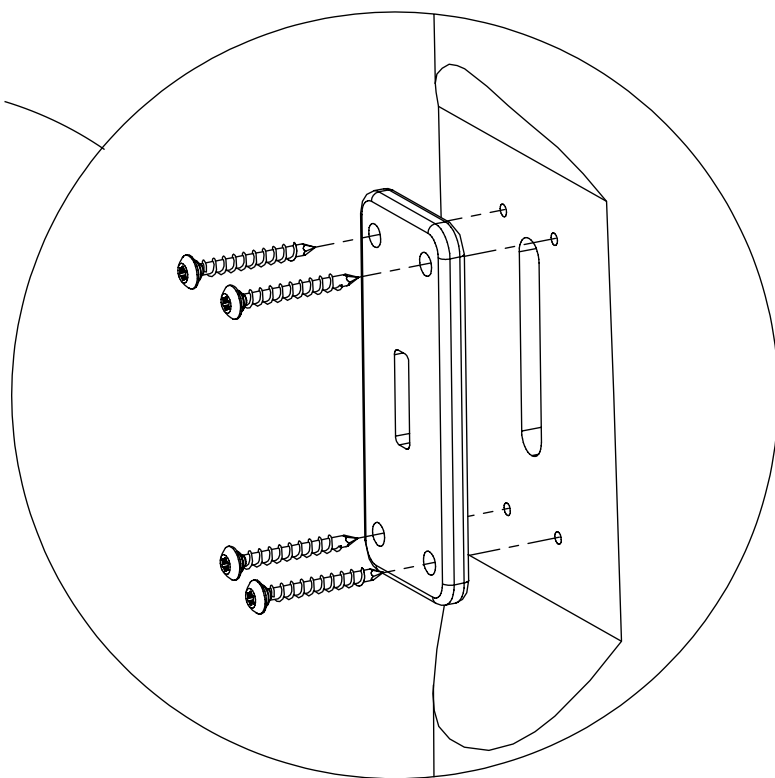
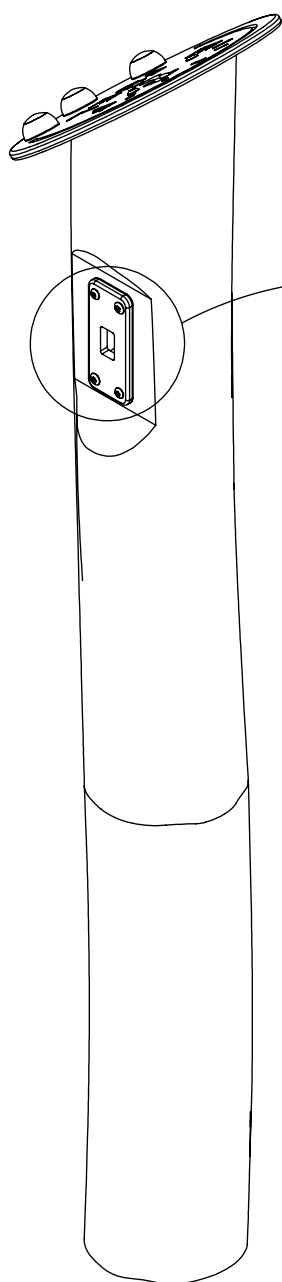
3x 8x50sxi



5,5 mm

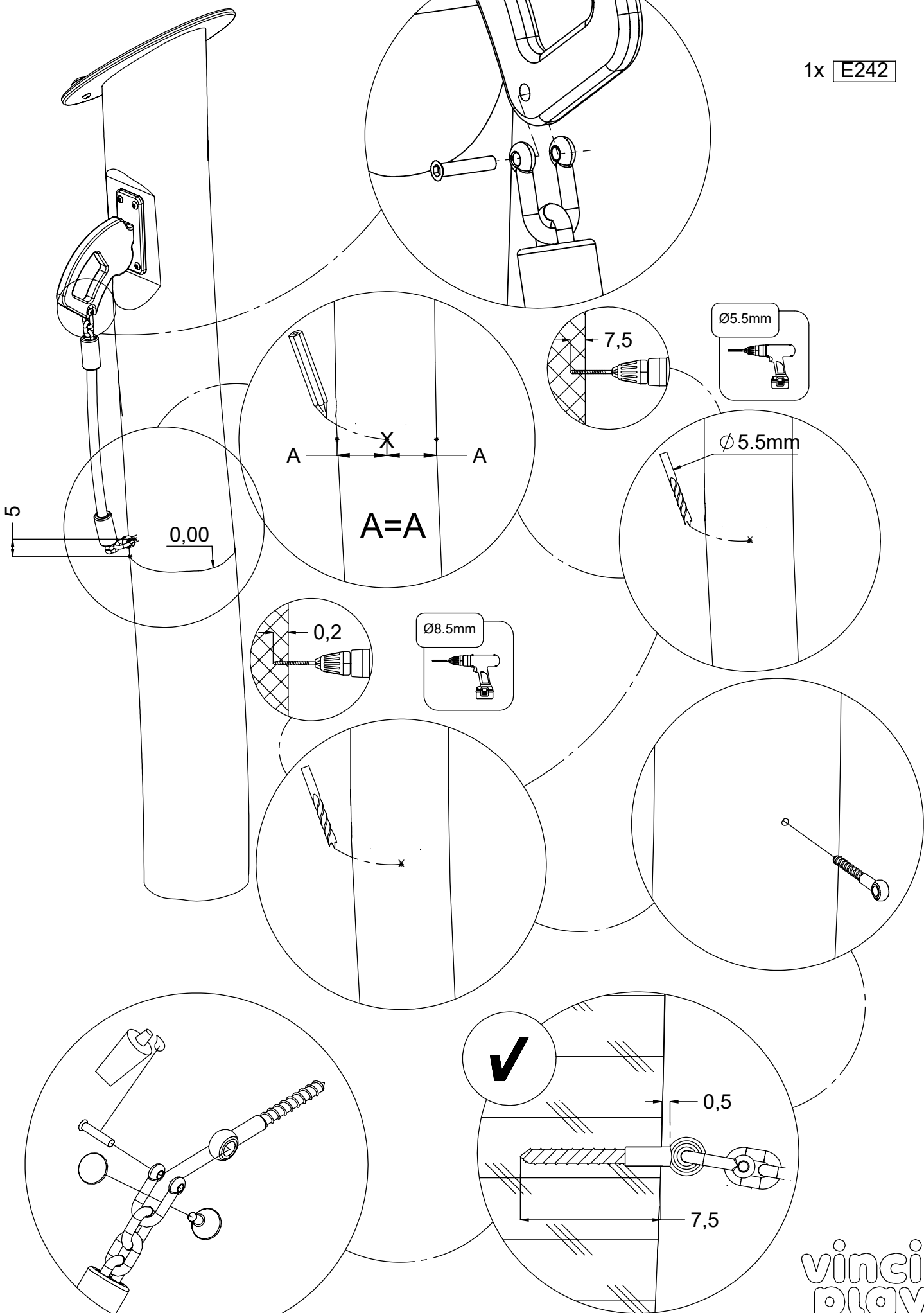
[cm]

vinci
play



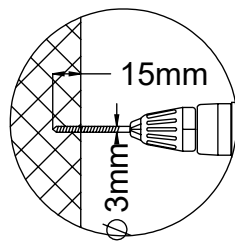
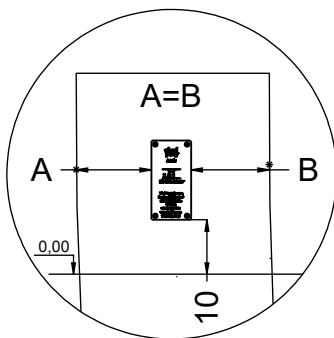
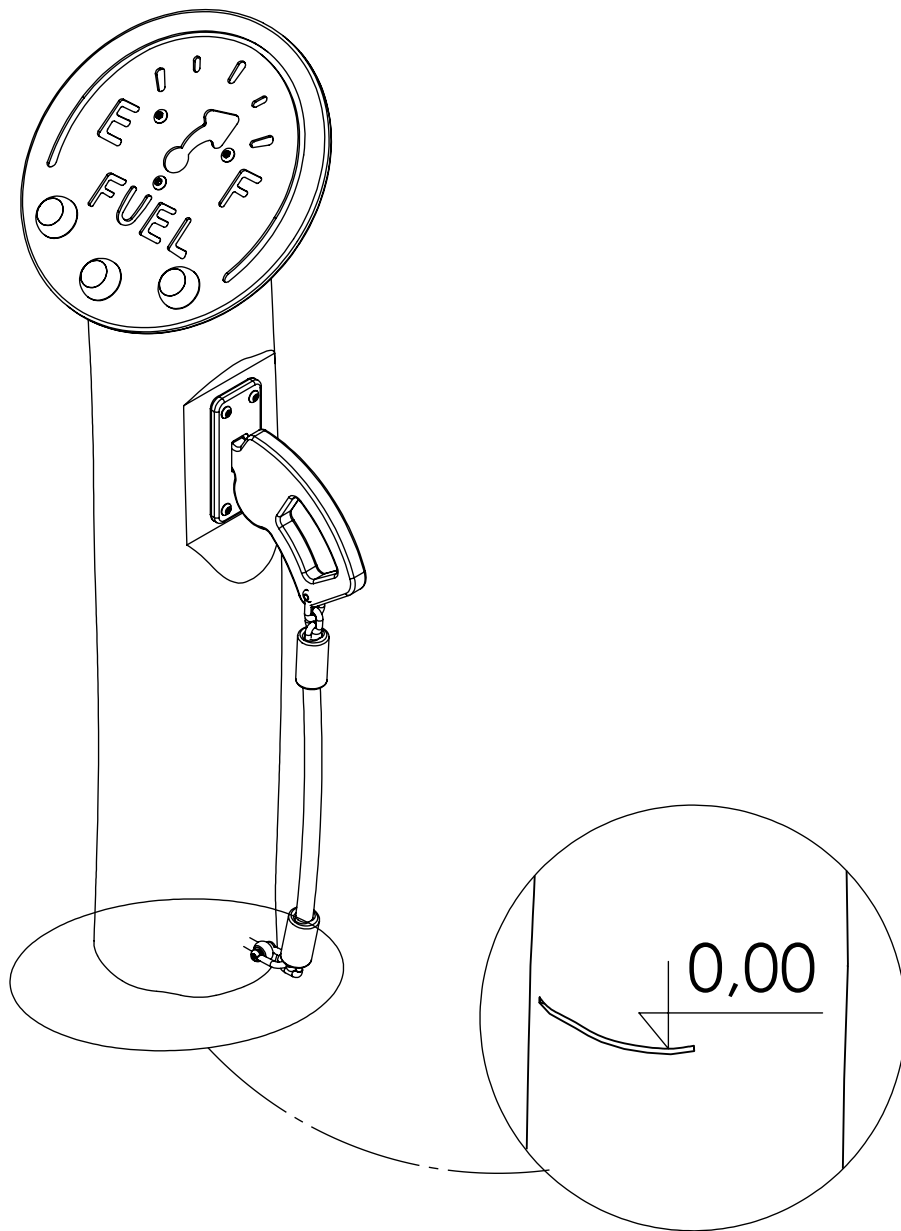
4x 7x35sxi

1x E242

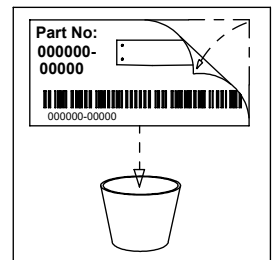


[cm]

vinci
play



V001



[cm]

vinci
play