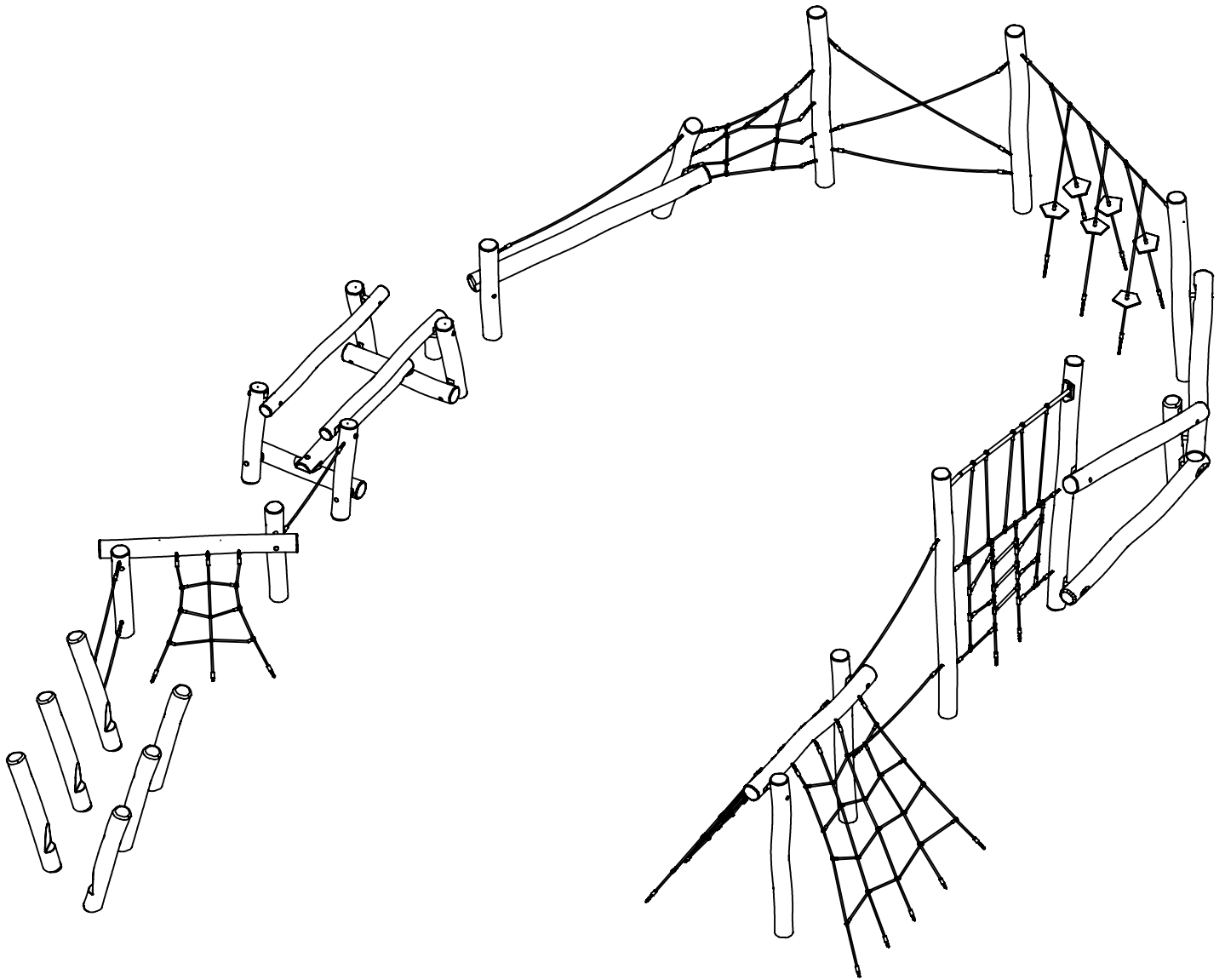
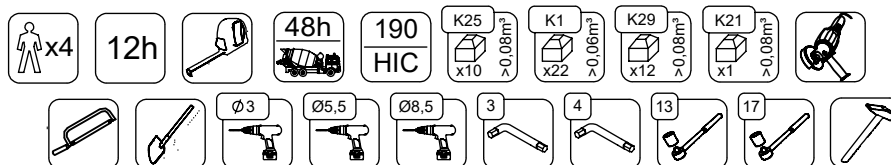


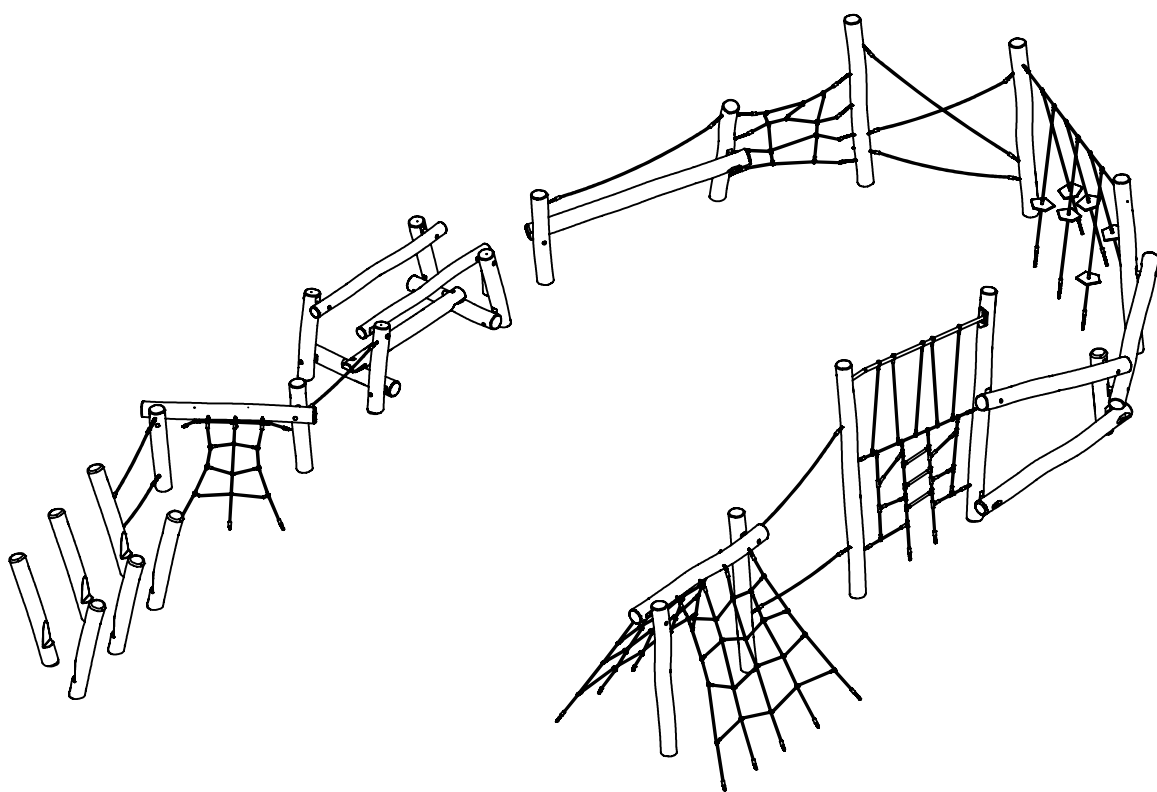
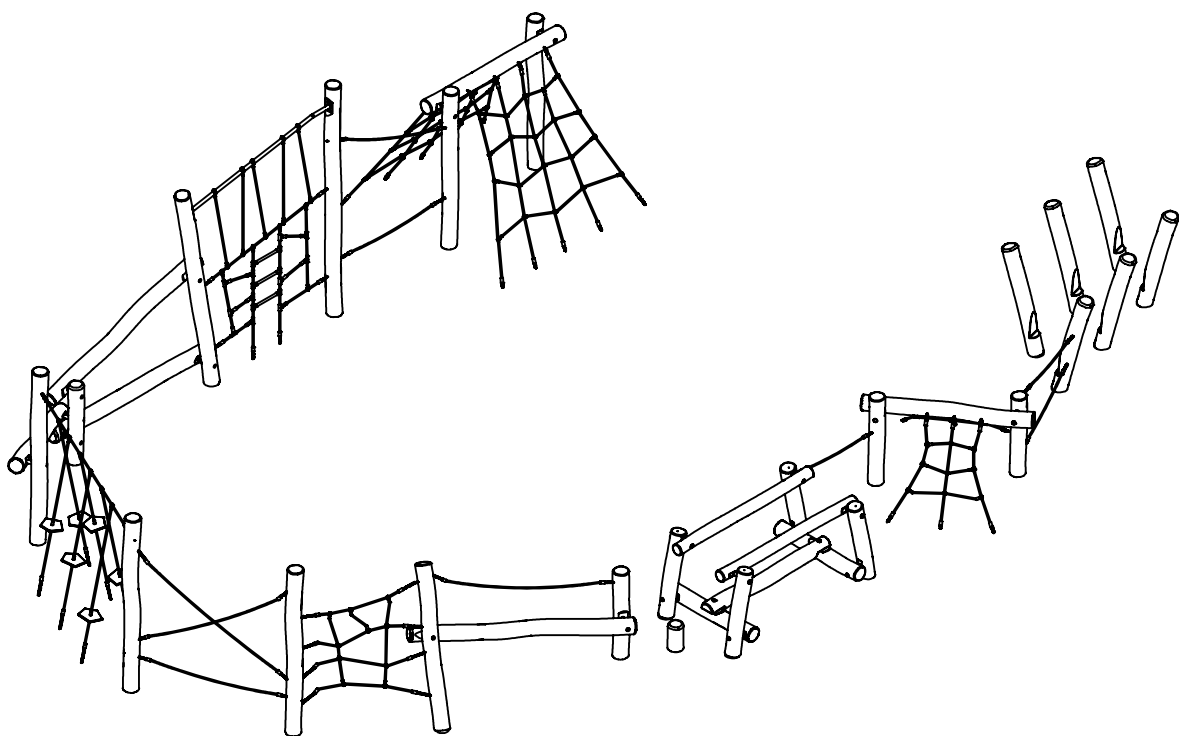
RB1224



v010
13.04.2023
D. P.
[cm]

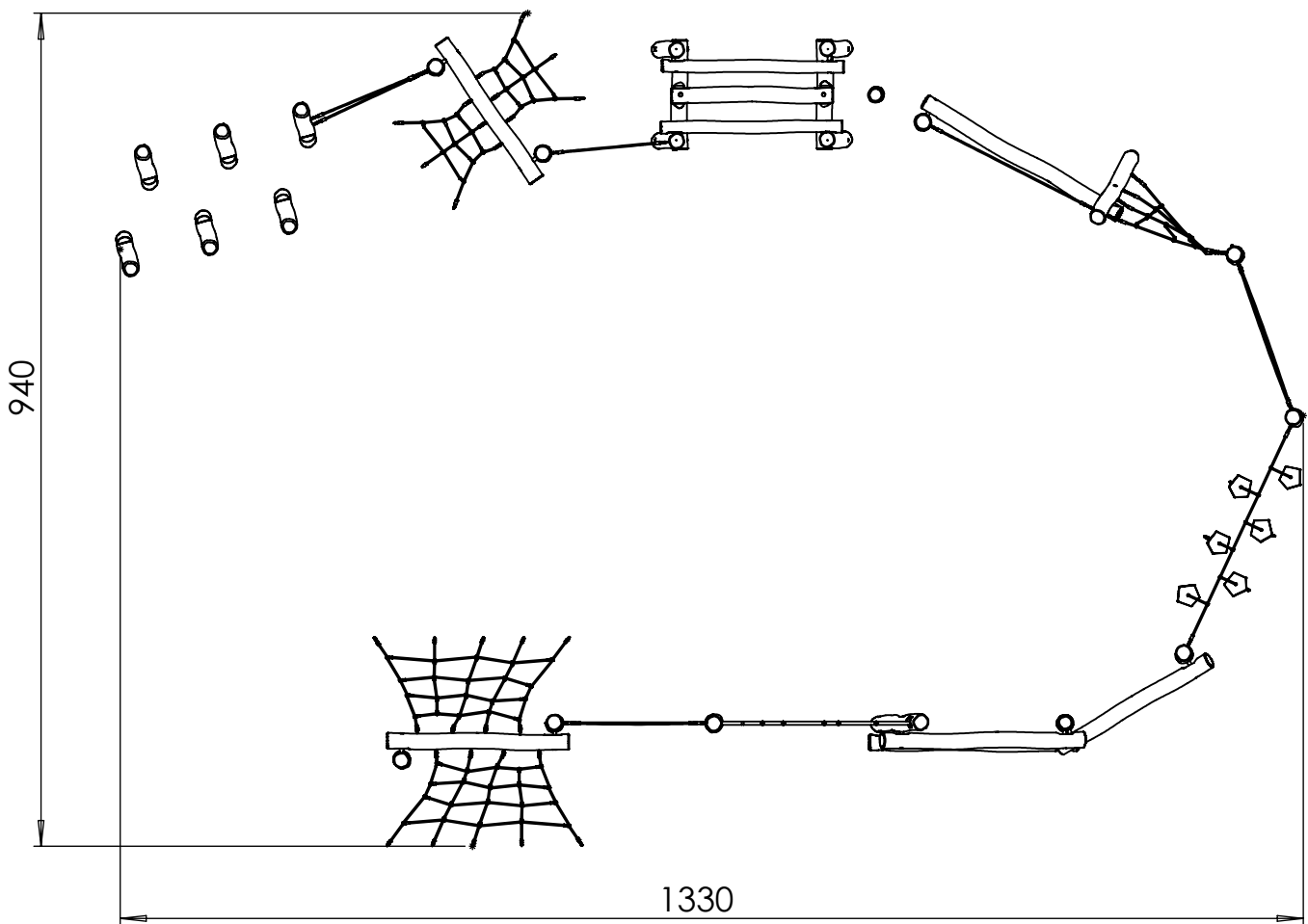
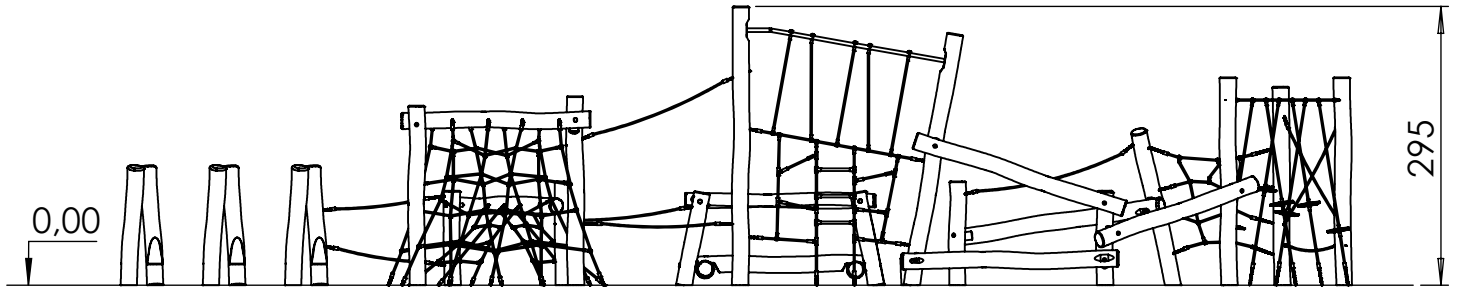


vinci
play



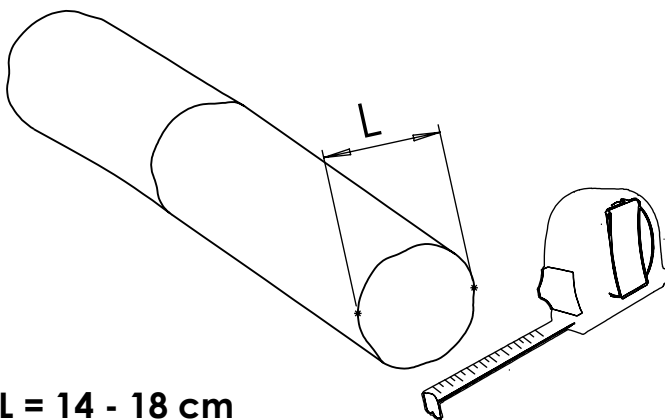
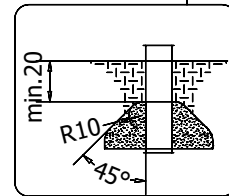
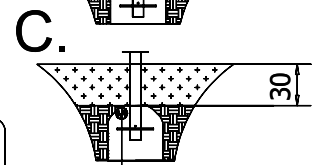
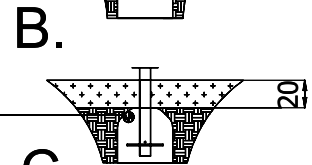
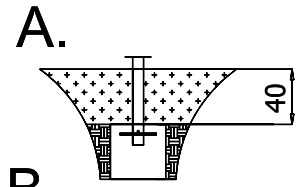
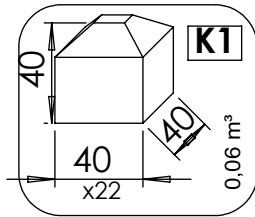
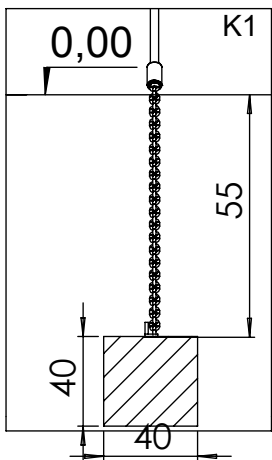
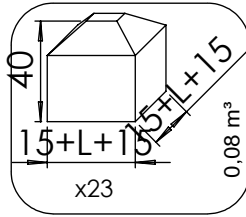
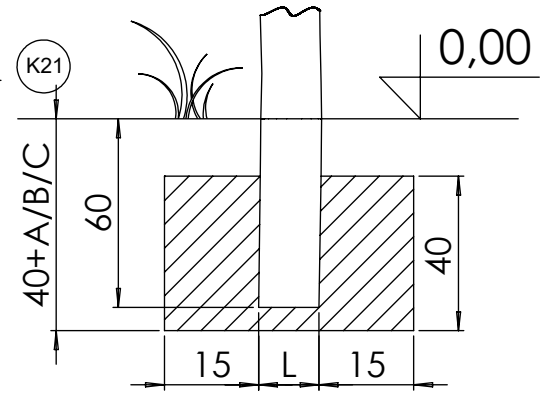
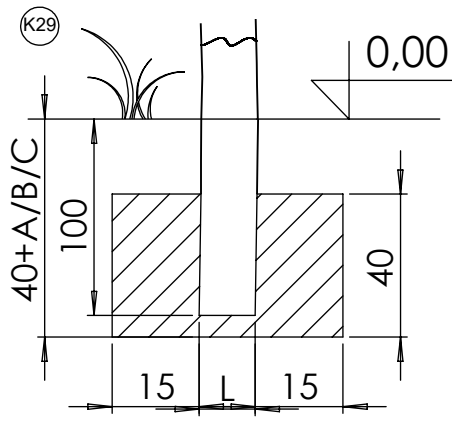
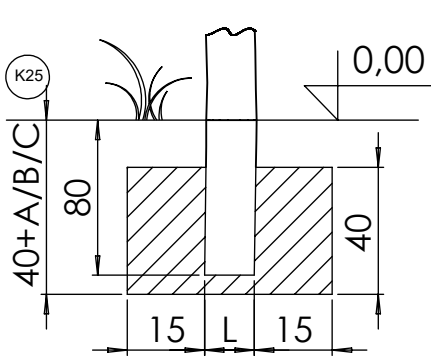
[cm]

vinci
play

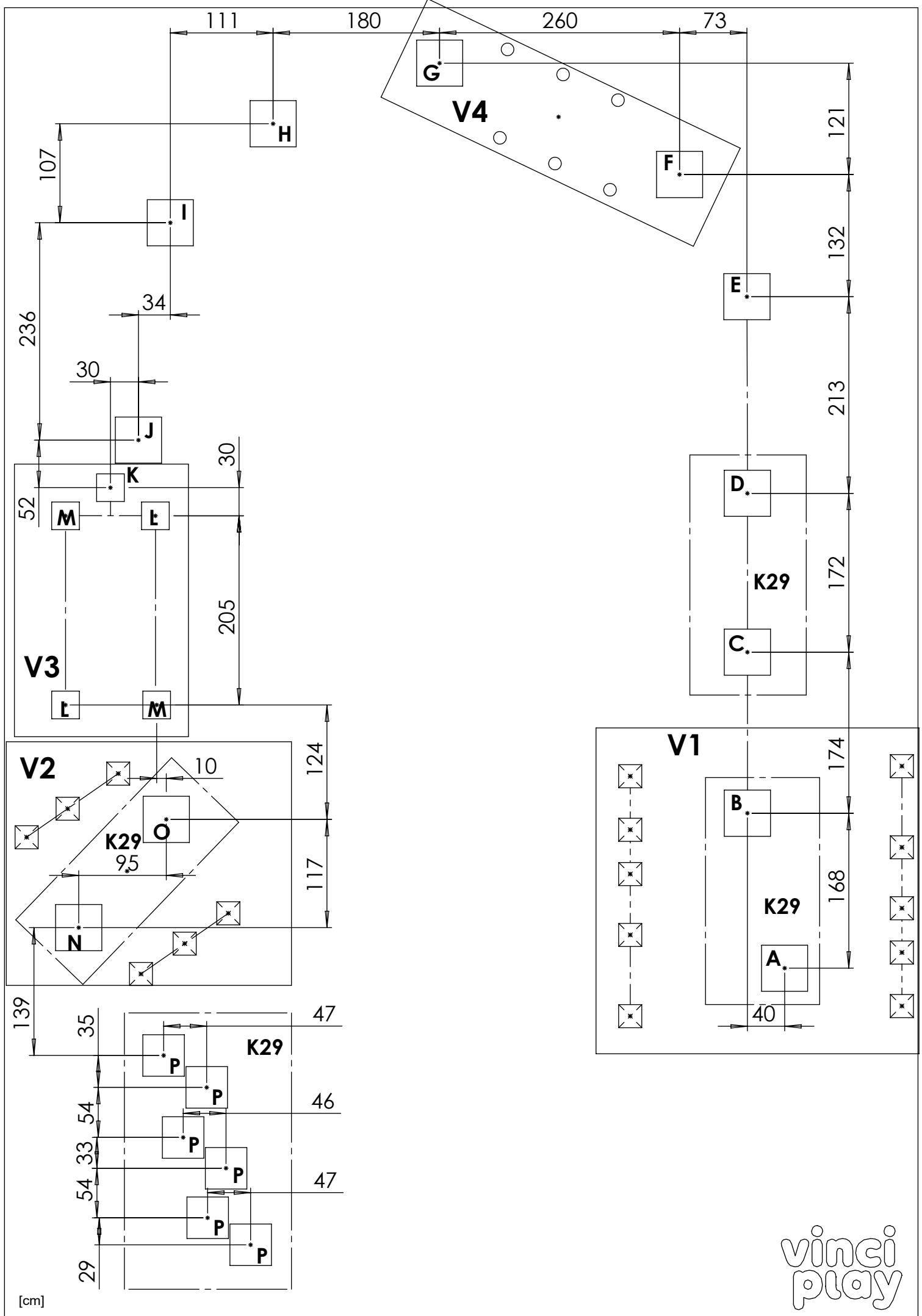


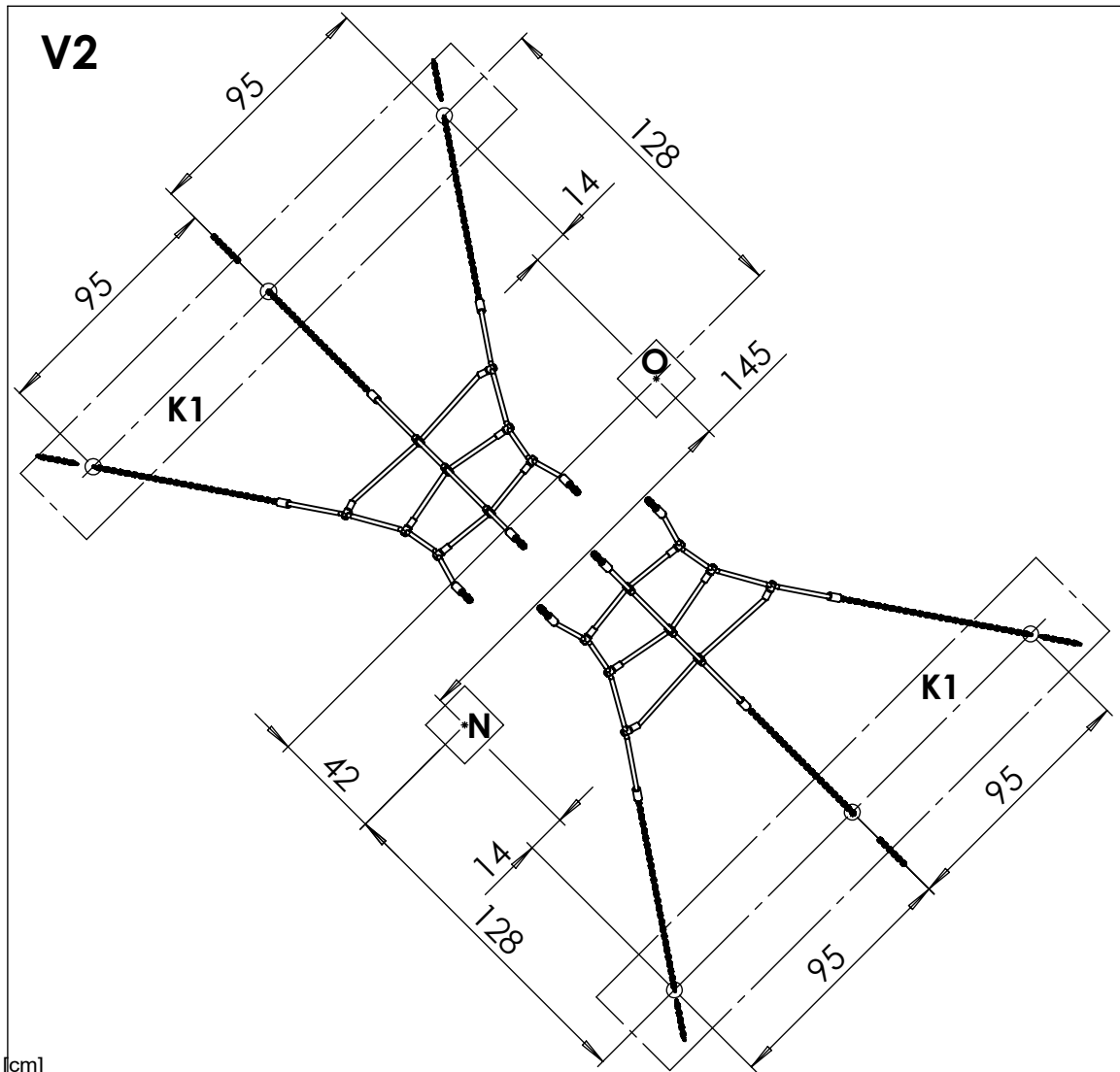
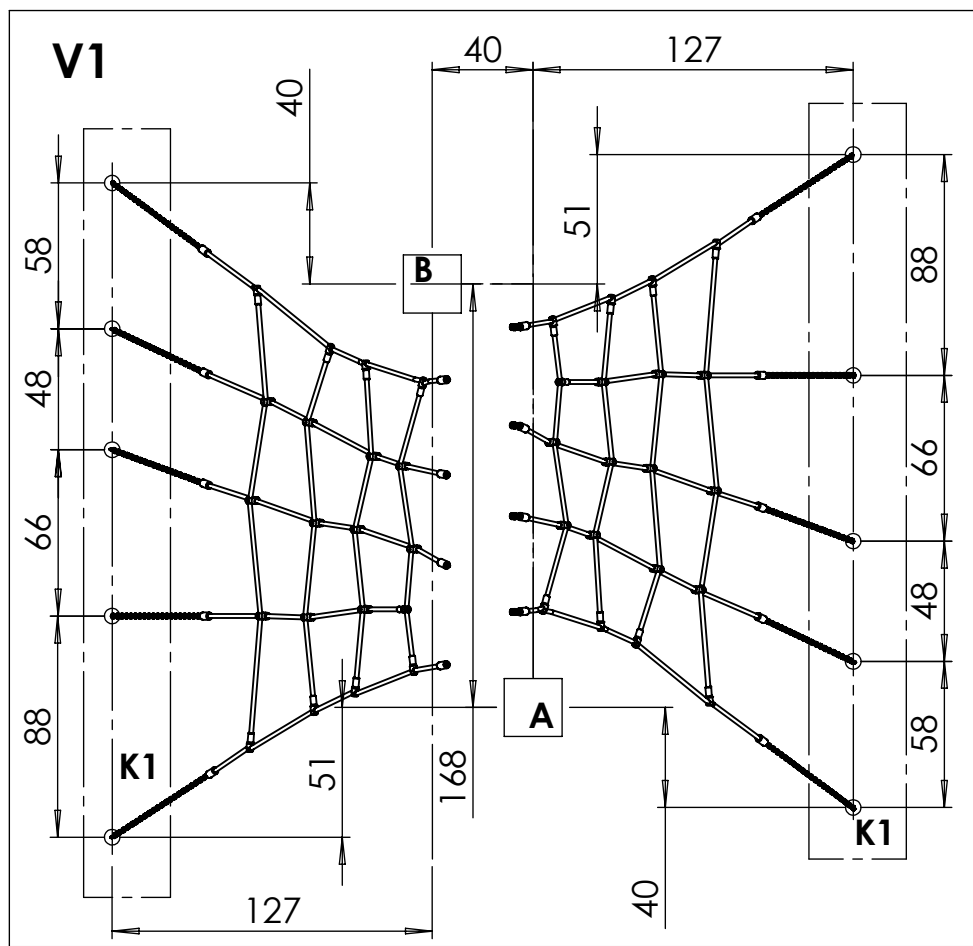
[cm]

vinci
play



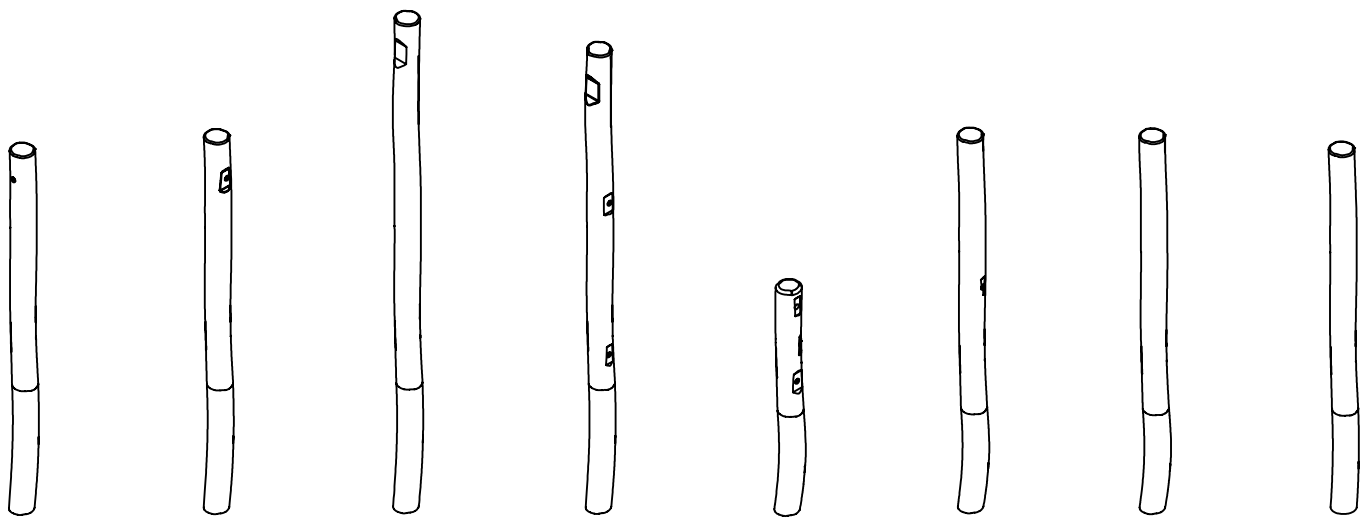
L = 14 - 18 cm



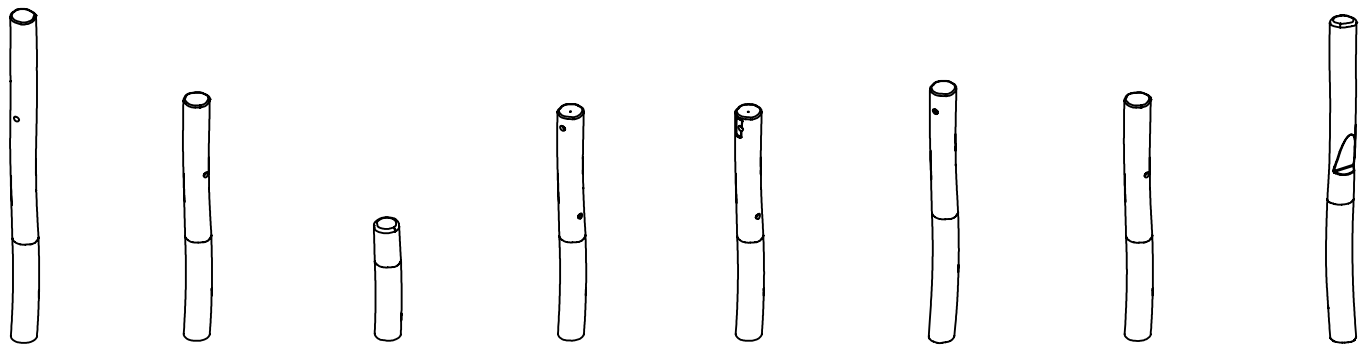


[cm]

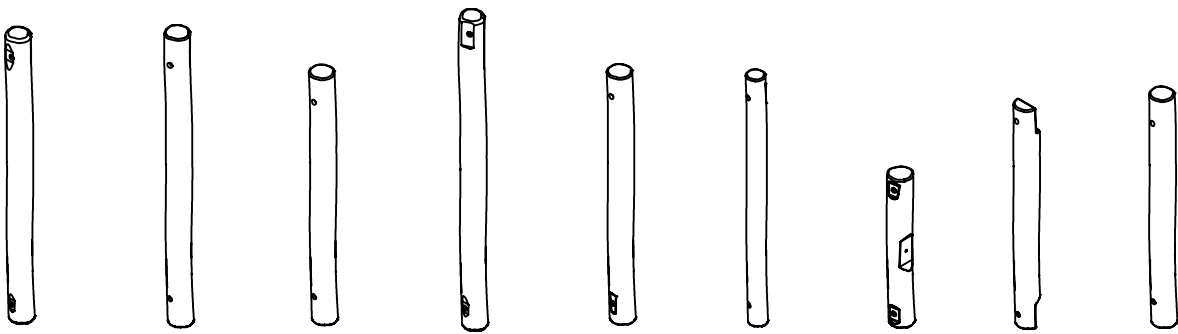
vinci
play



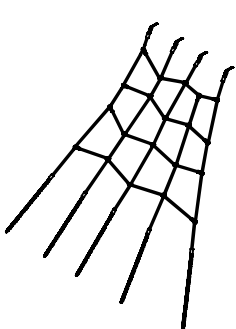
127237 (A) x1 127236 (B) x1 127797 (C) x1 127831 (D) x1 127799 (E) x1 127800 (F) x1 127801 (G) x1 127743 (H) x1



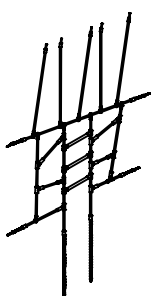
127744 (I) x1 127748 (J) x1 127297 (K) x1 127247 (L) x2 127248 (M) x2 127304 (N) x1 127306 (O) x1 127115 (P) x6



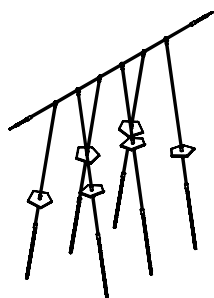
127812 x1 127832 x1 127803 x1 127745 x1 127238 x1 127250 x2 127249 x2 127251 x1 127305 x1



125113 x2



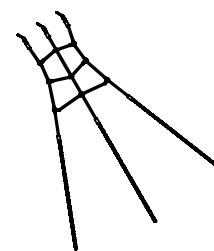
125124 x1



125118 x1



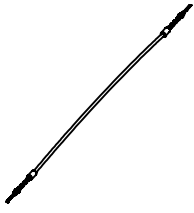
125101 x1



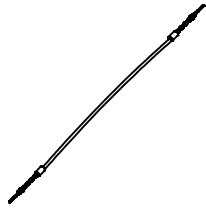
125100 x2

[cm]

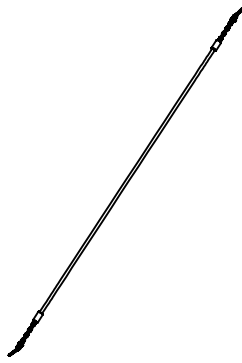
vinci
play



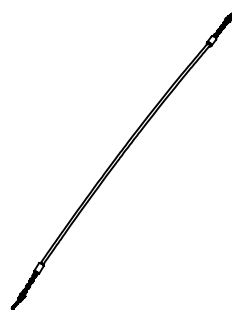
125141
x2



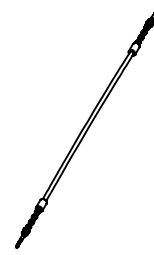
125142
x1



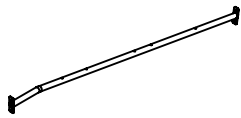
125143
x2



125146
x1

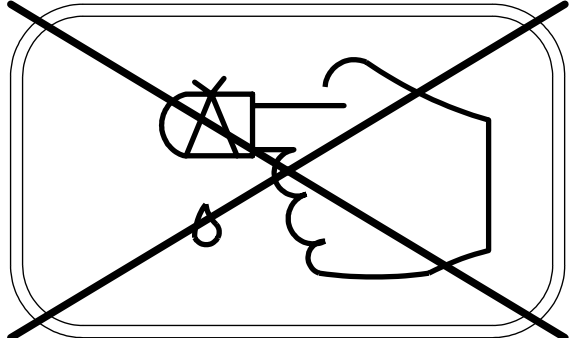
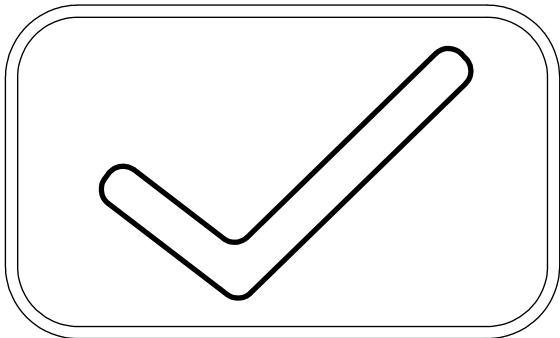
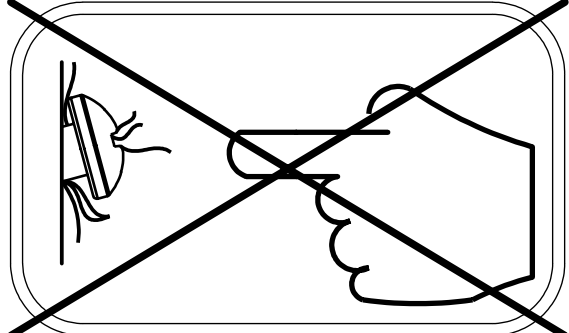
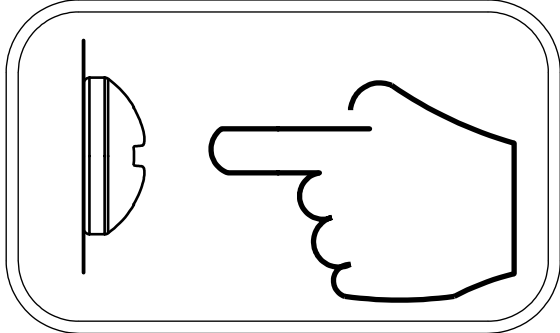
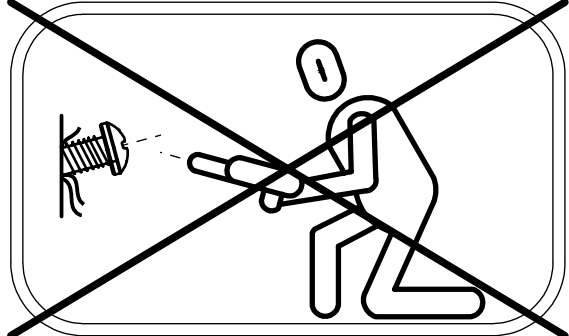
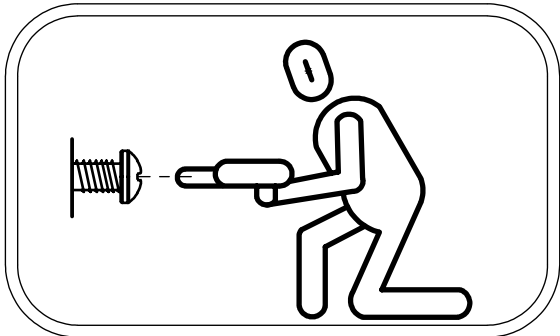


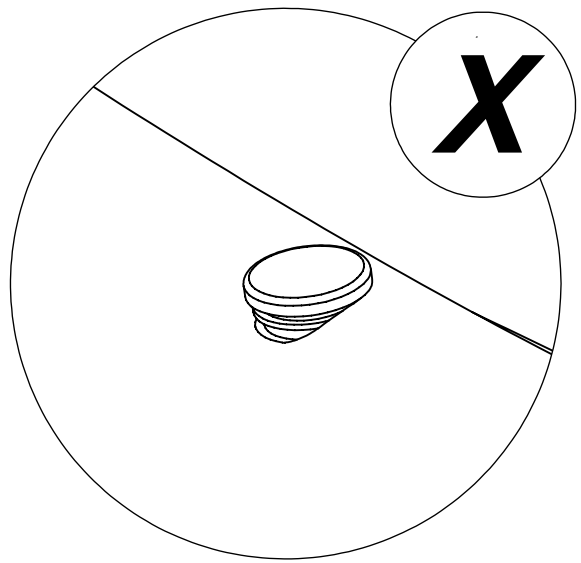
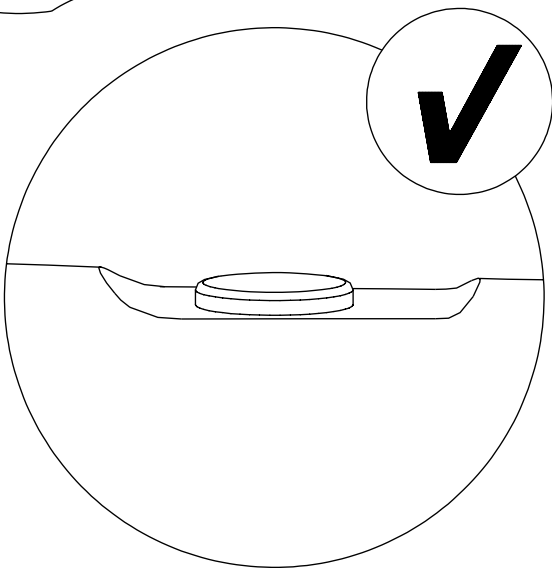
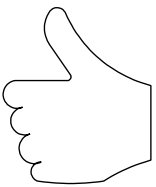
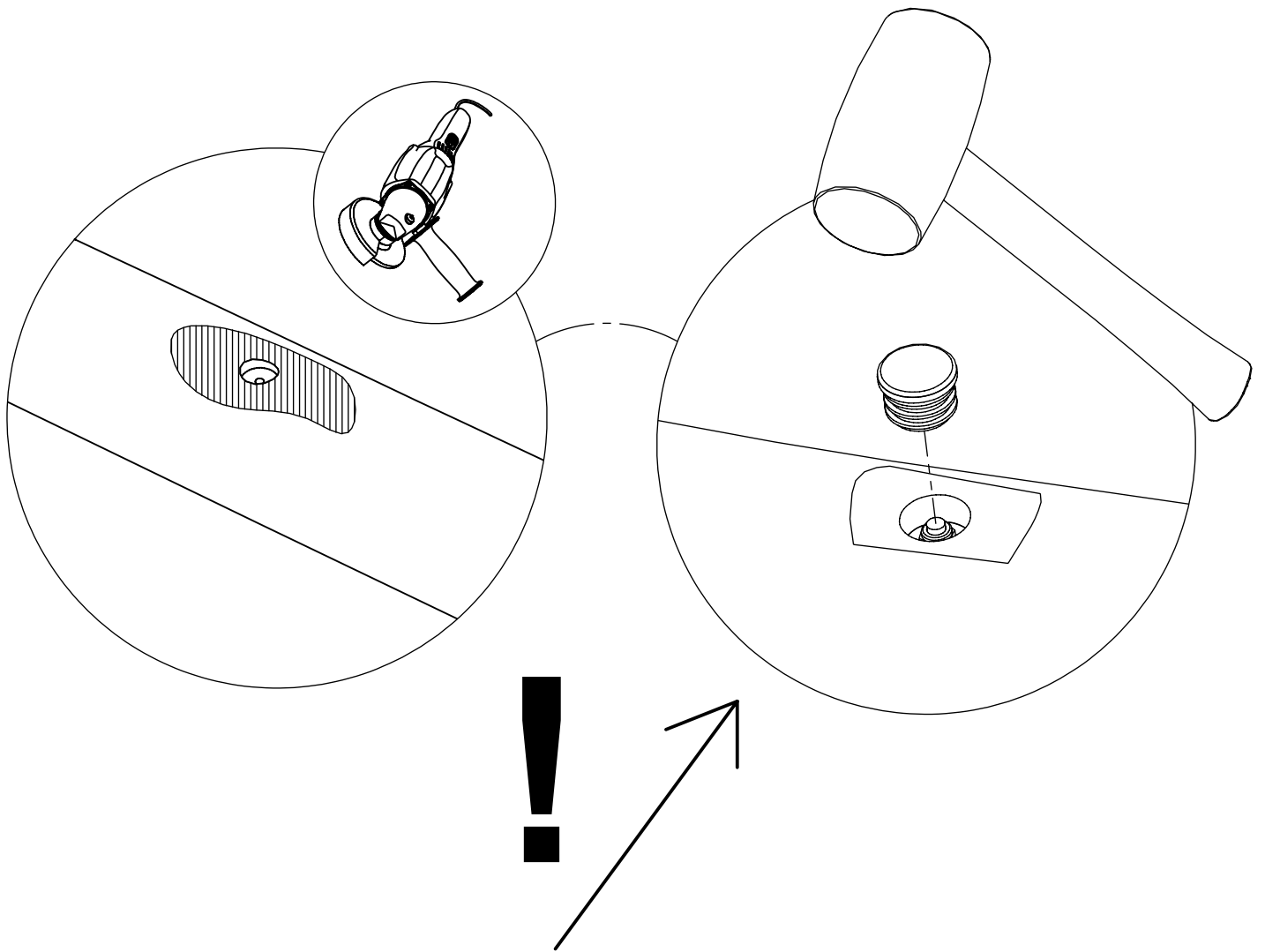
125131
x1



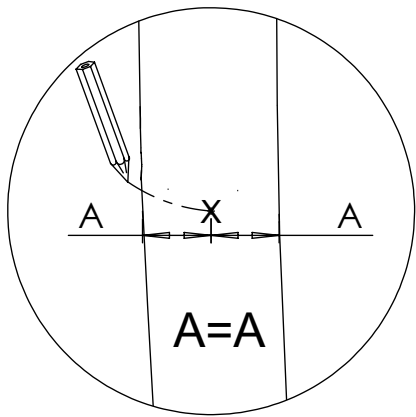
122111
x1

Qty.	
4	8x50sxi
23	12e007
10	12e022
1	12e023
1	12e035
24	12e052
1	V001

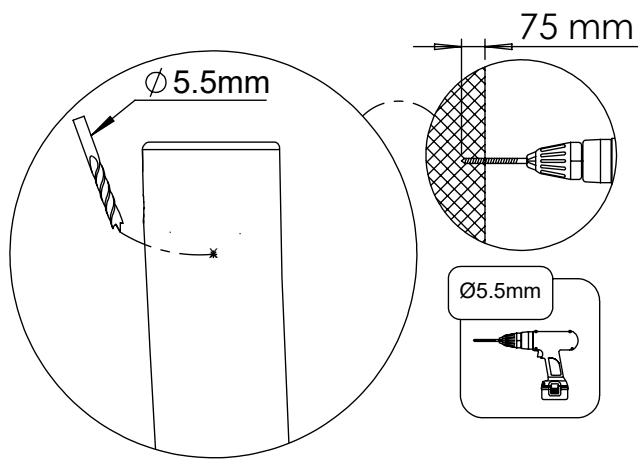




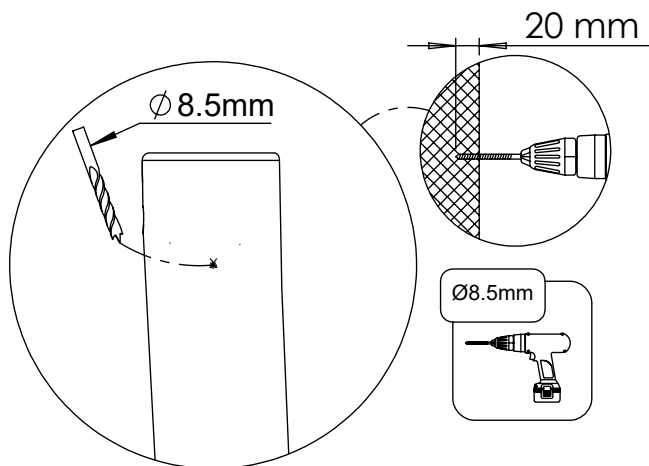
1.



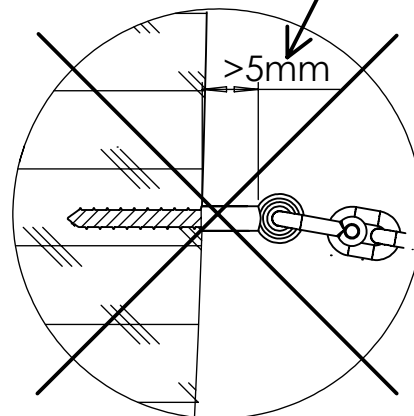
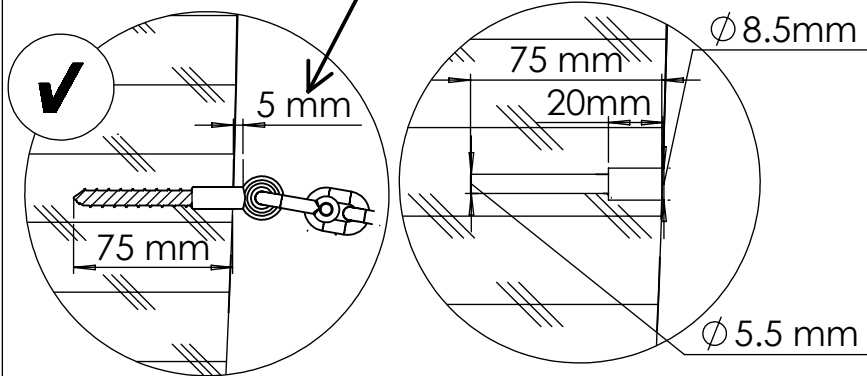
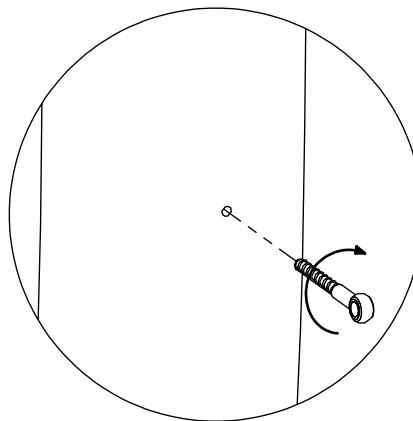
2.



3.



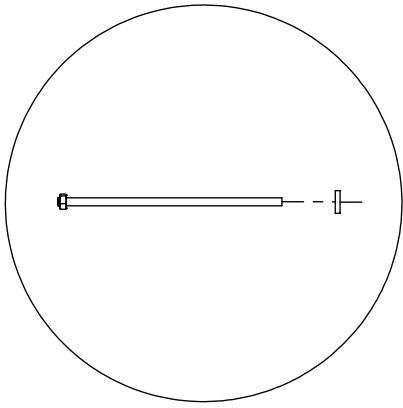
4.



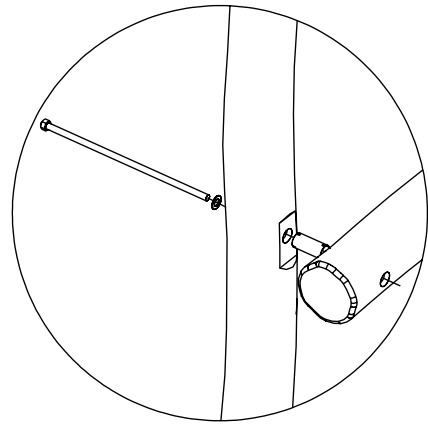
[cm]

vinci play

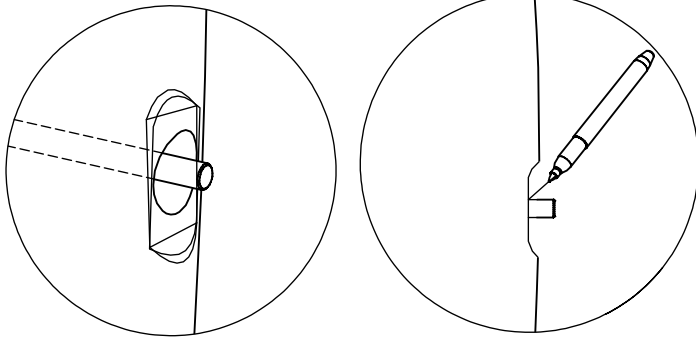
1.



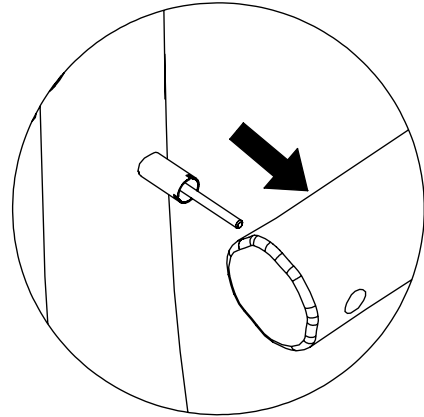
2.



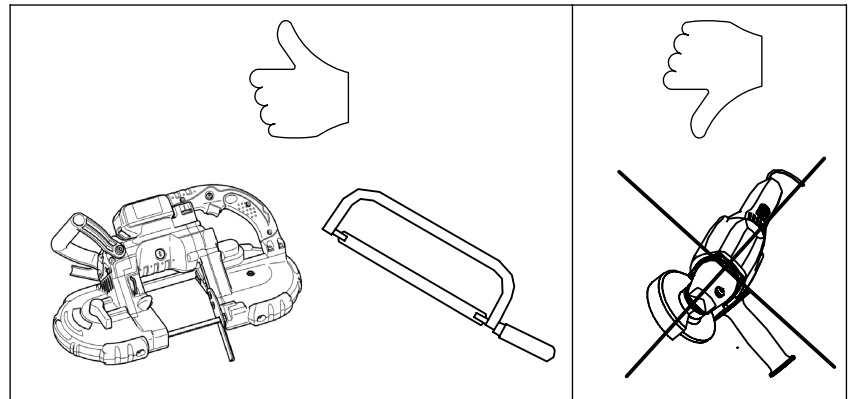
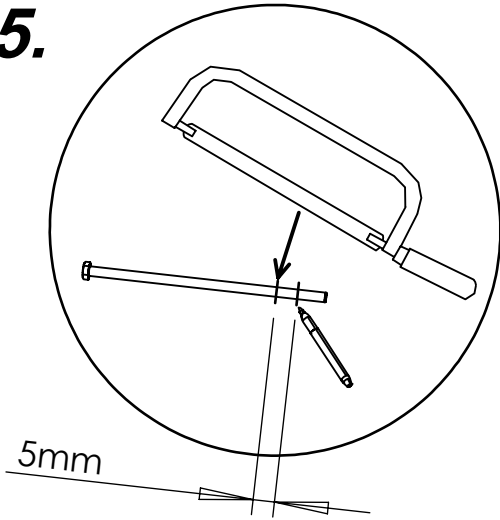
3.



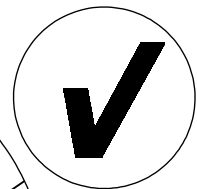
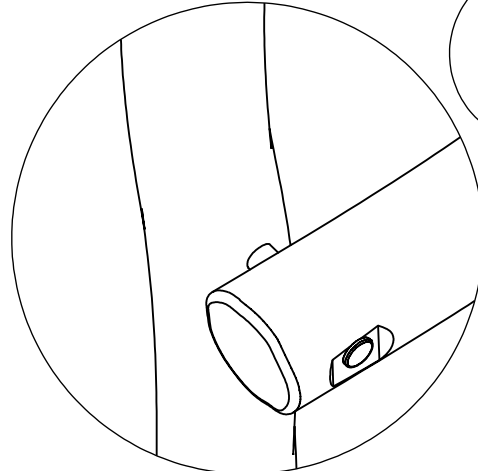
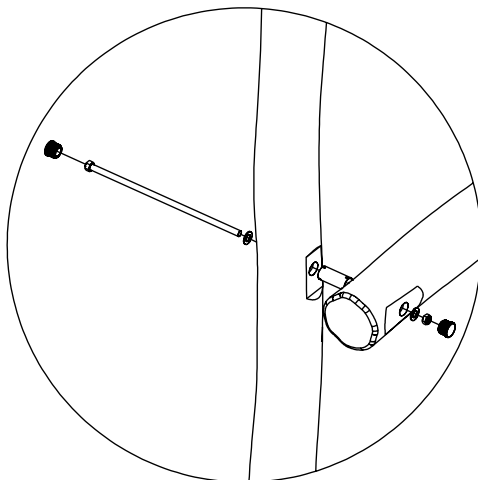
4.



5.



6.



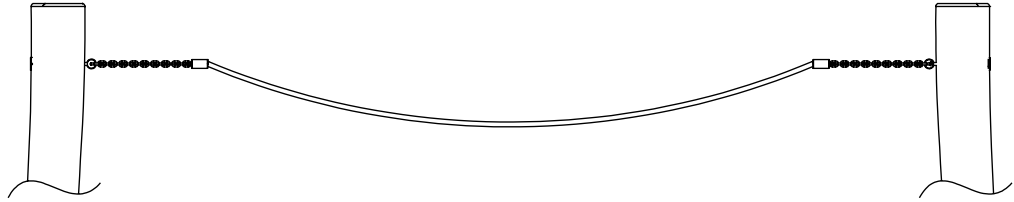
[cm]

vinci play

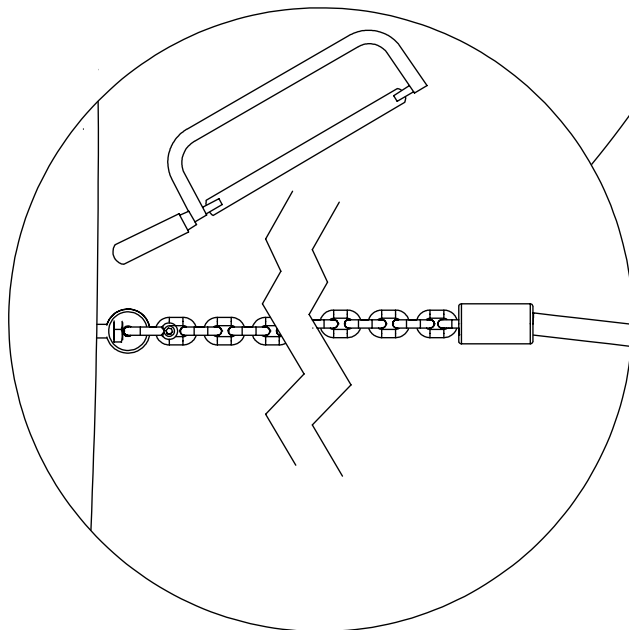
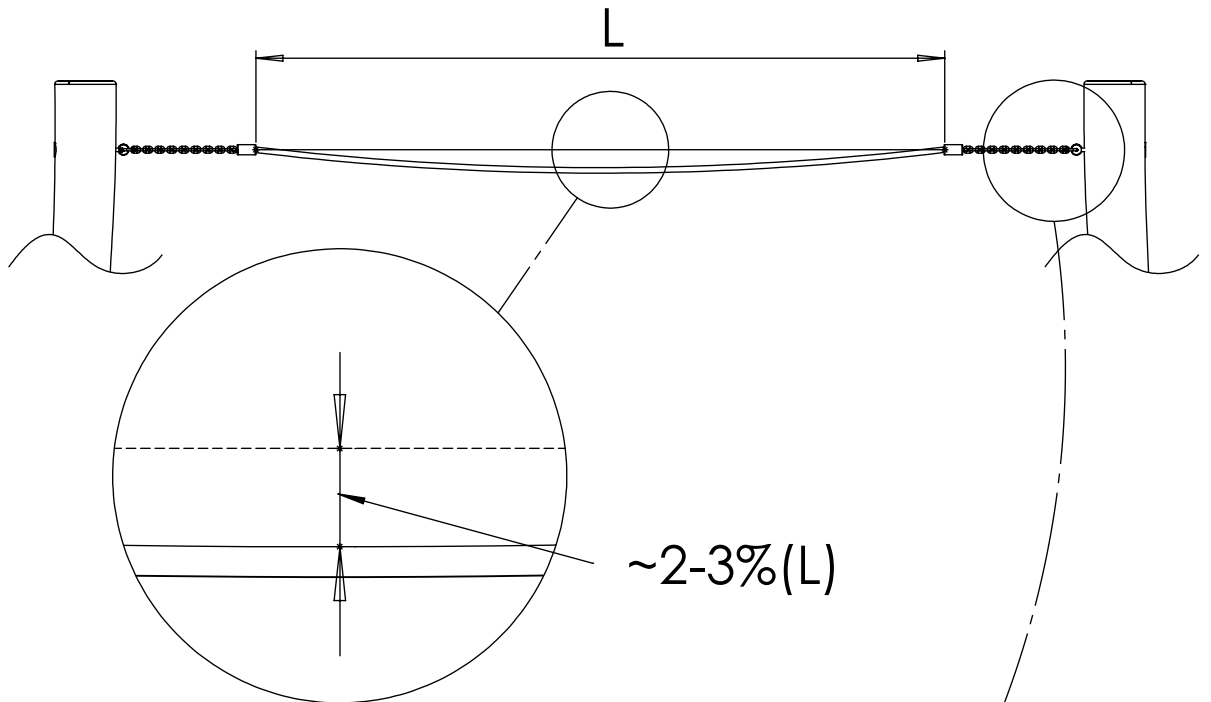
X

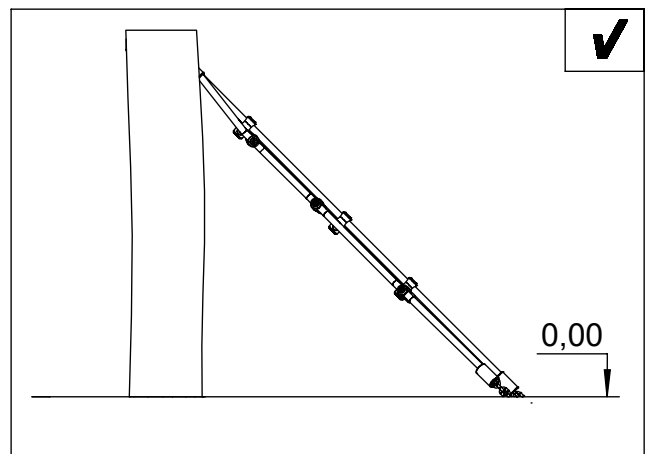
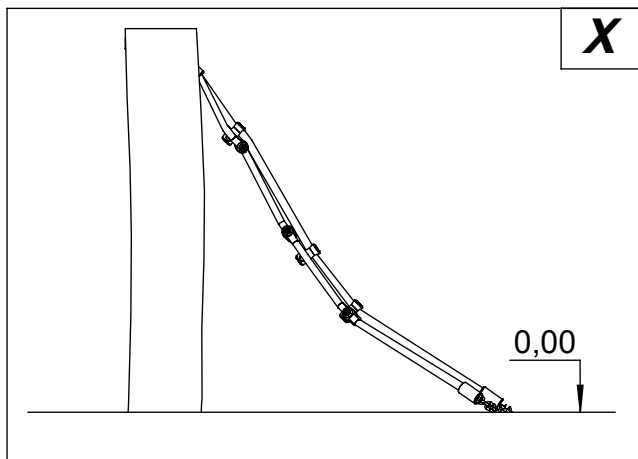
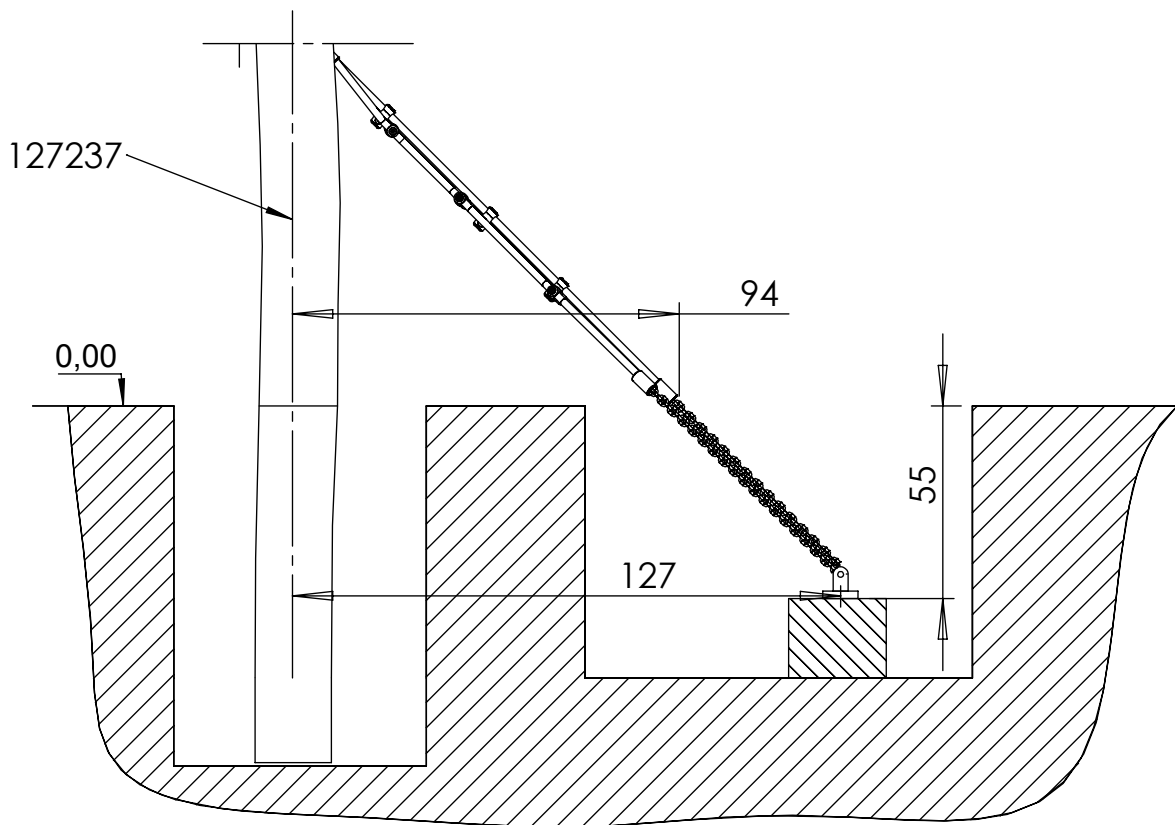


X



V

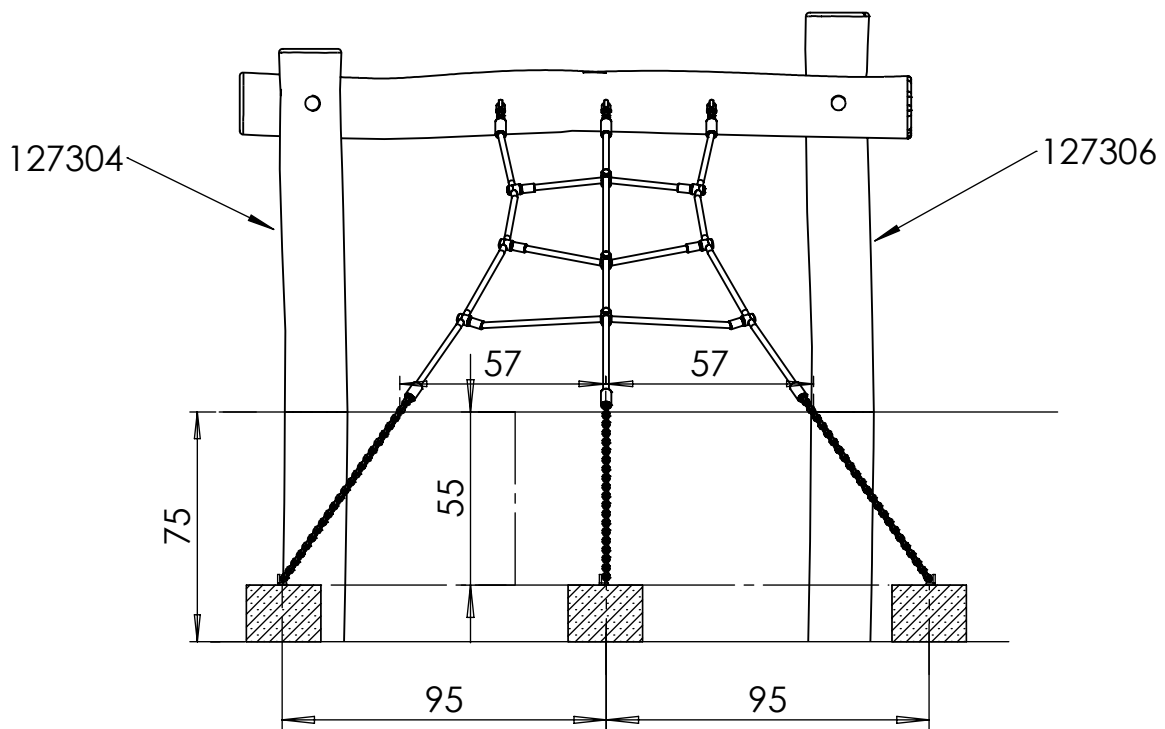
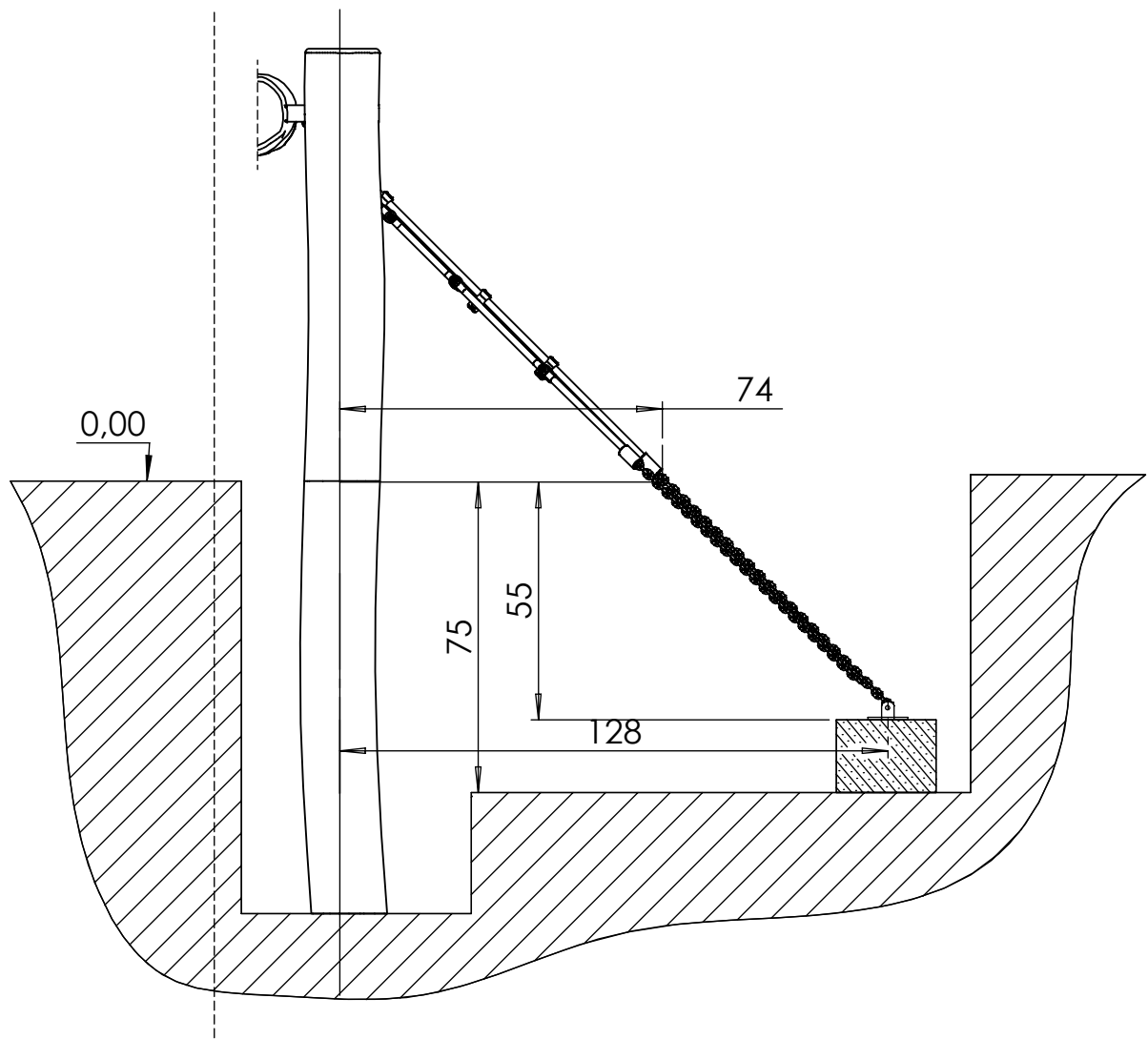




[cm]

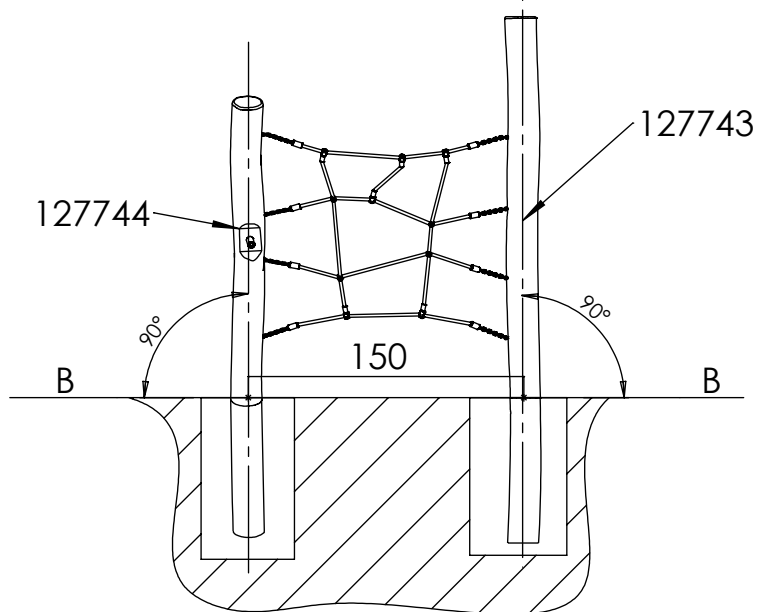
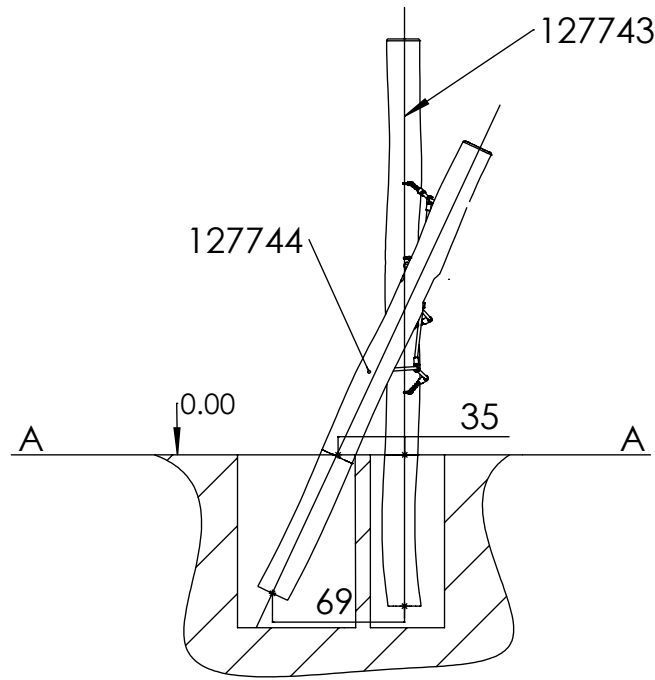
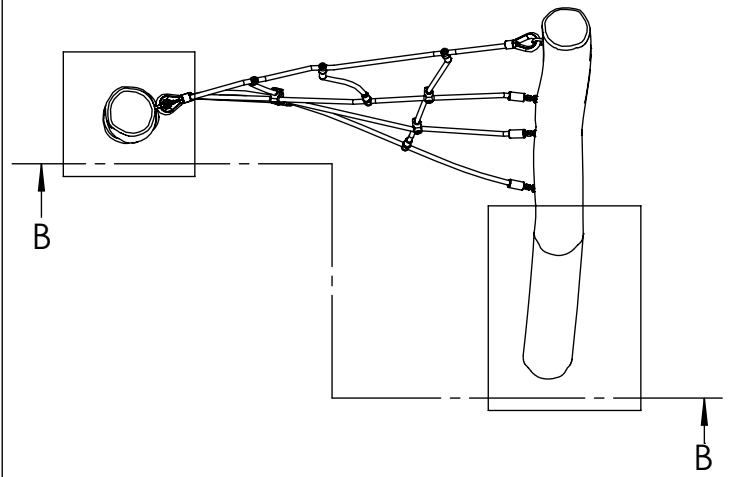
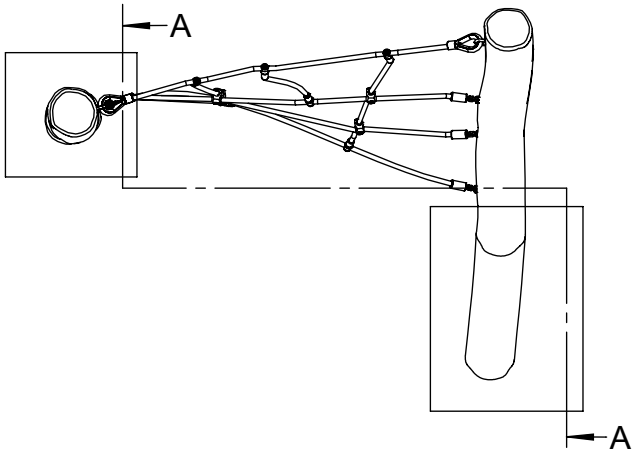


vinci
play



[cm]

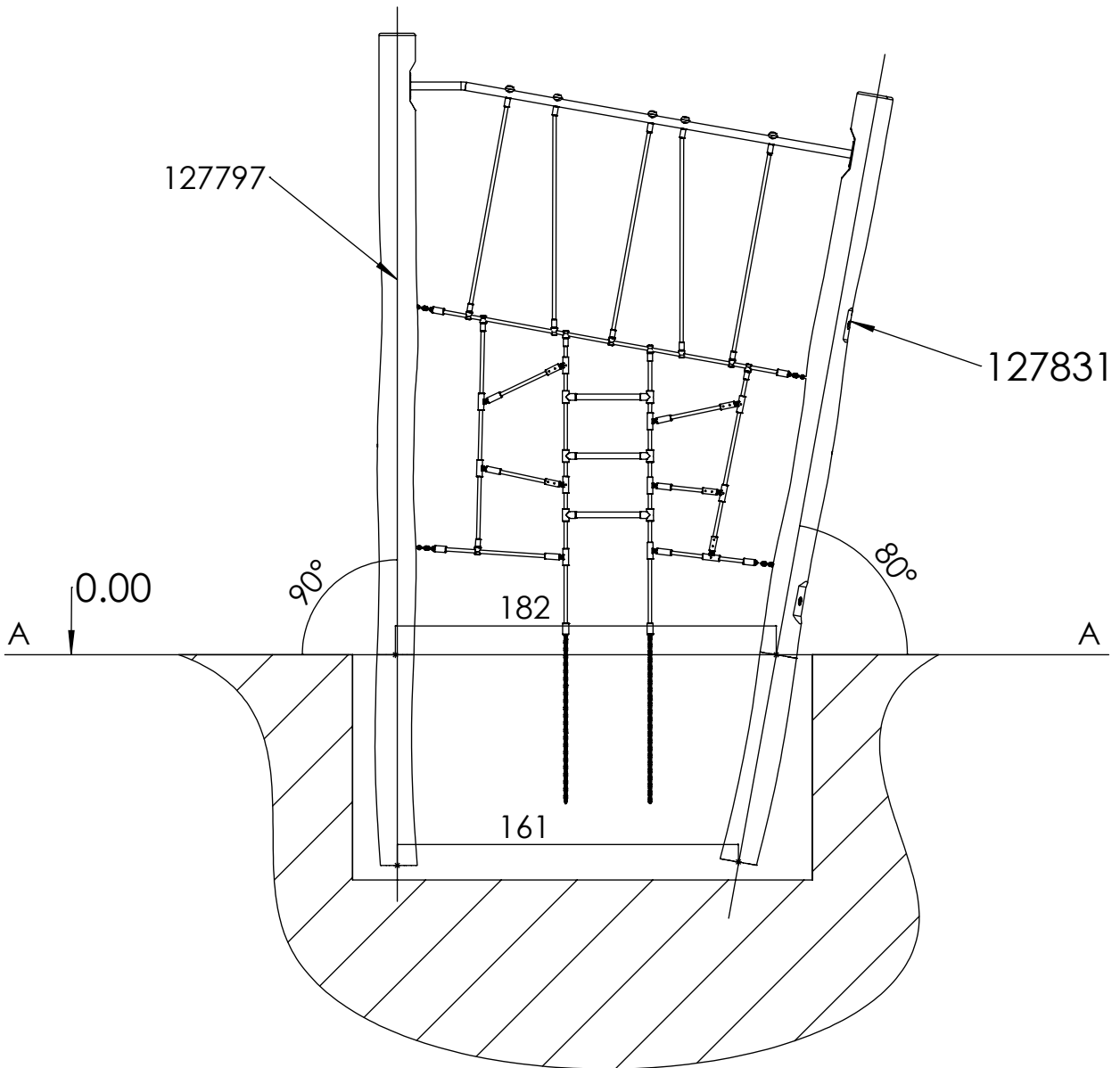
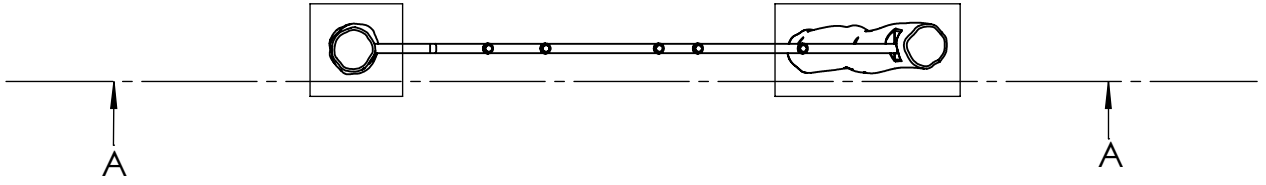
vinci
play



[cm]



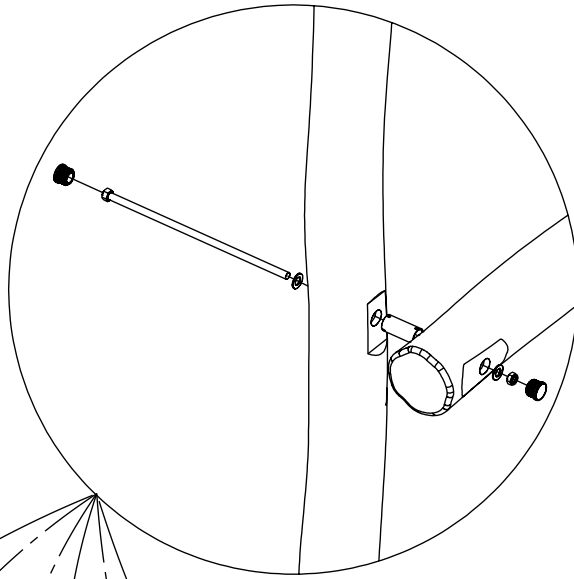
vinci
play



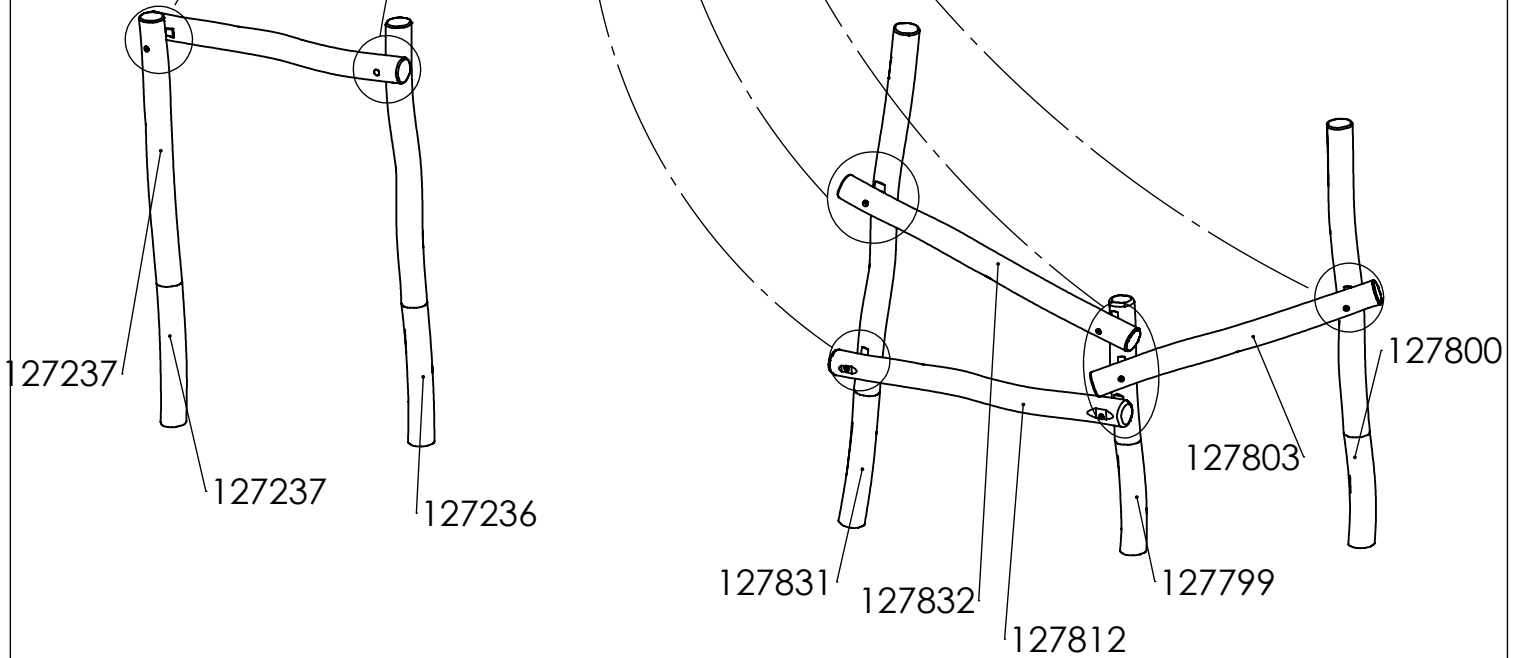
[cm]



vinci
play

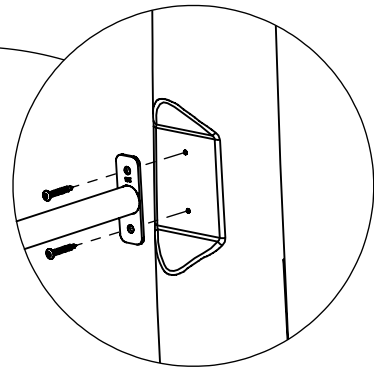
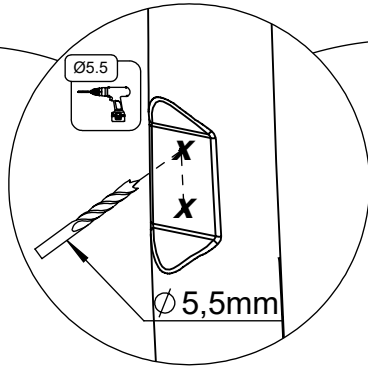
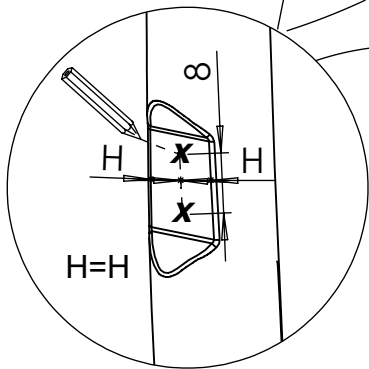
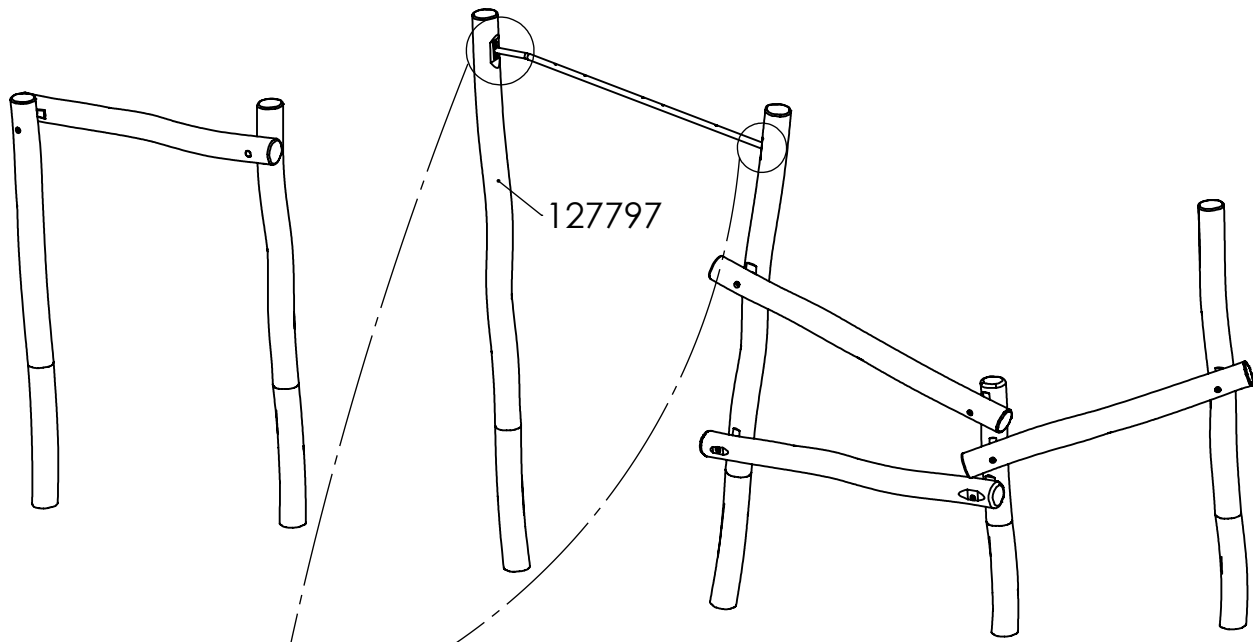
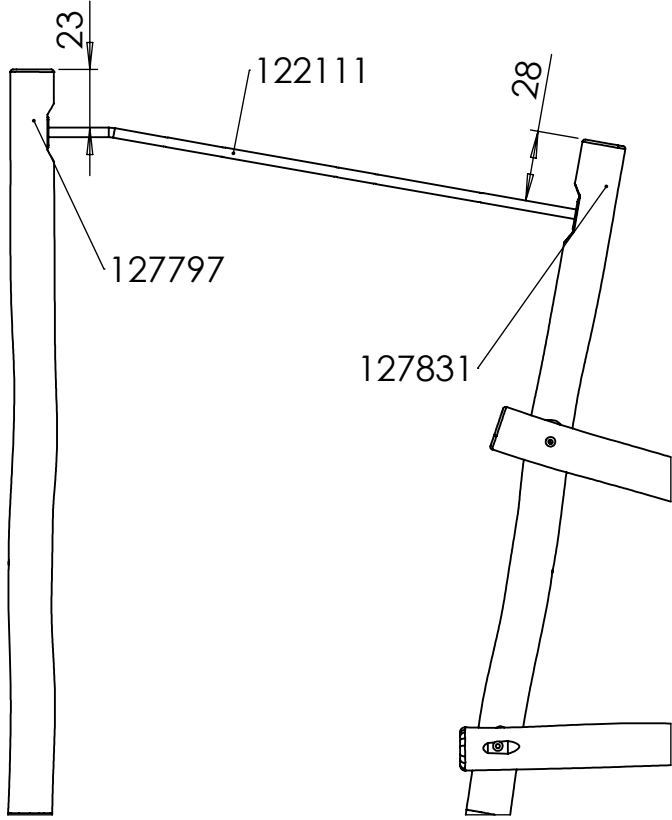


4x 12e022

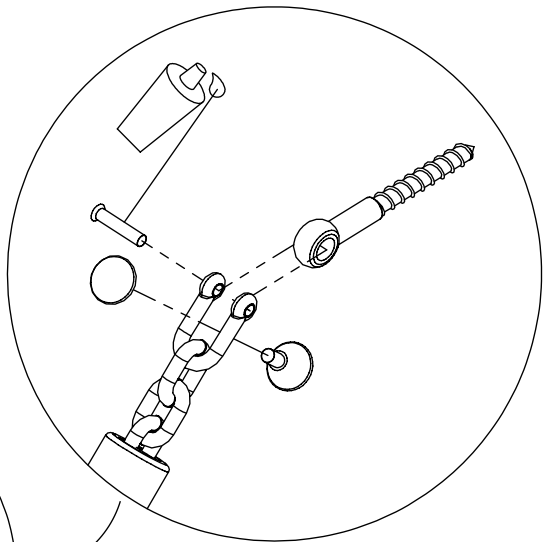
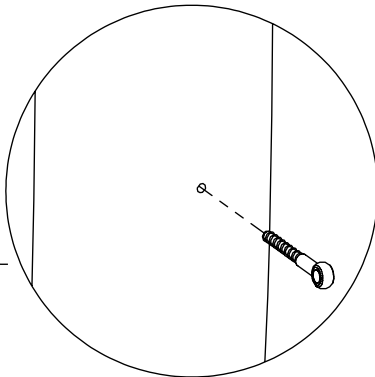
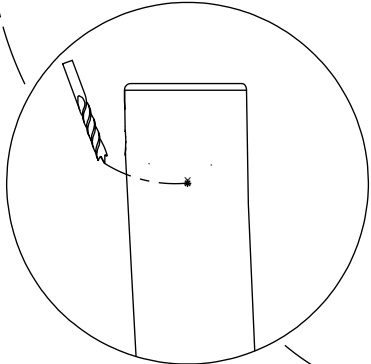
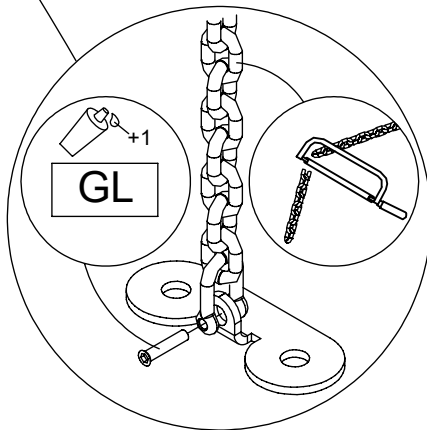
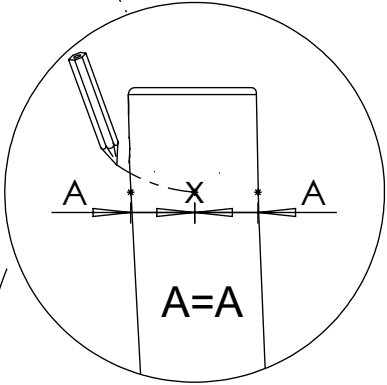
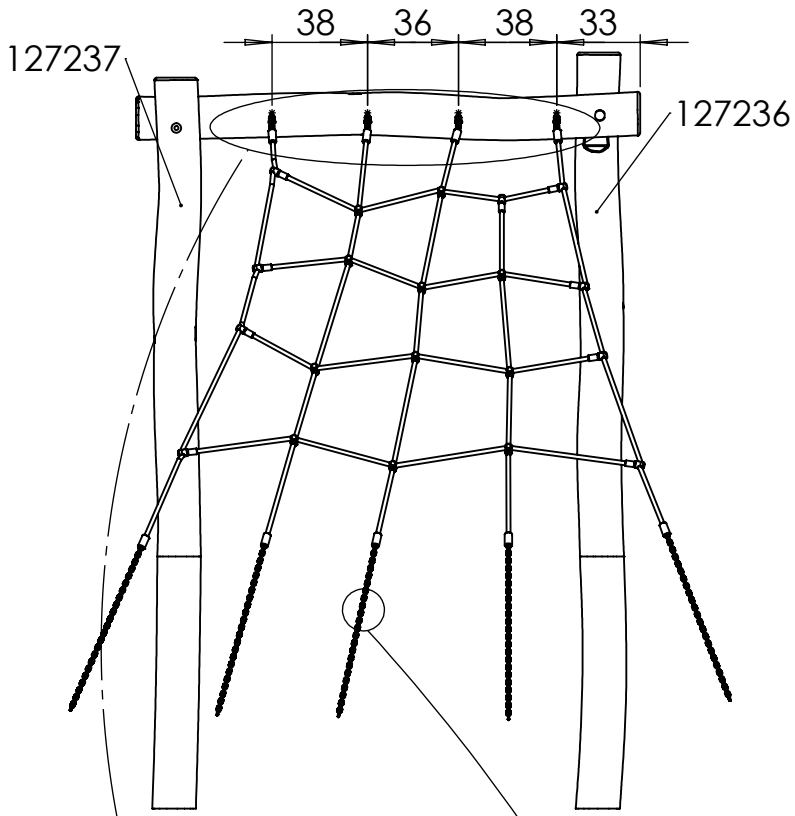


[cm]

vinci
play

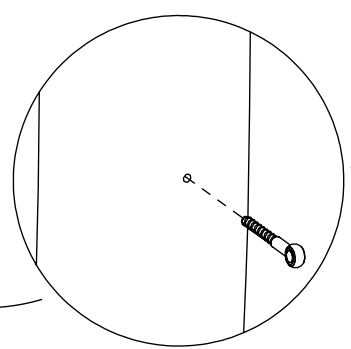
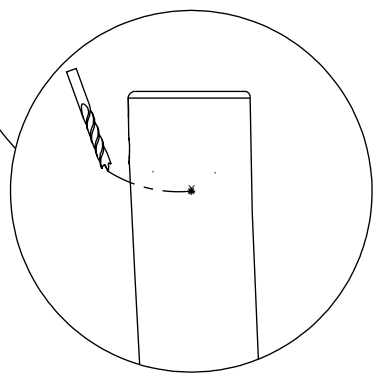
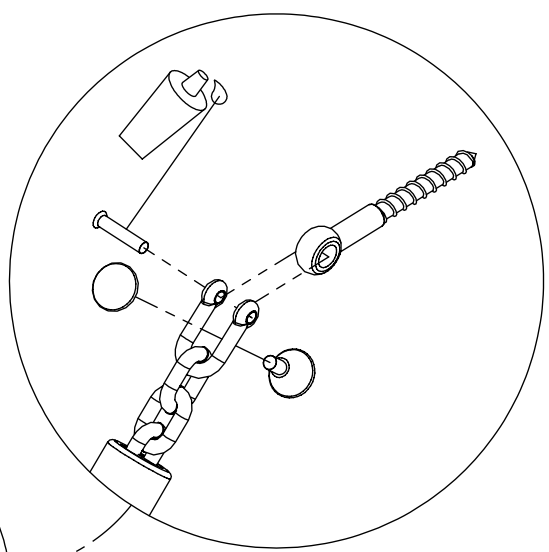
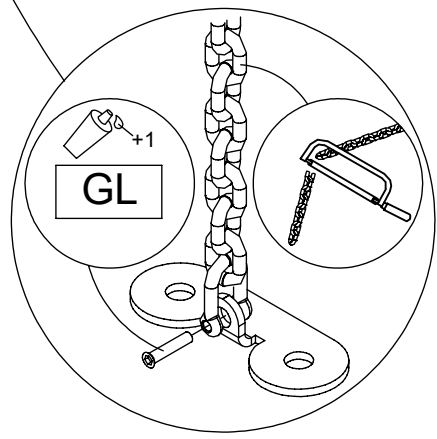
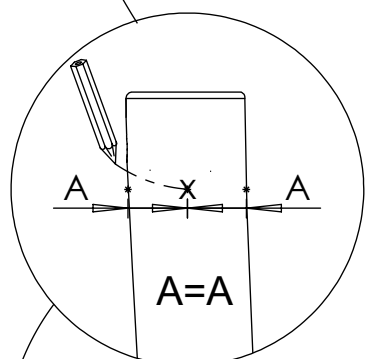
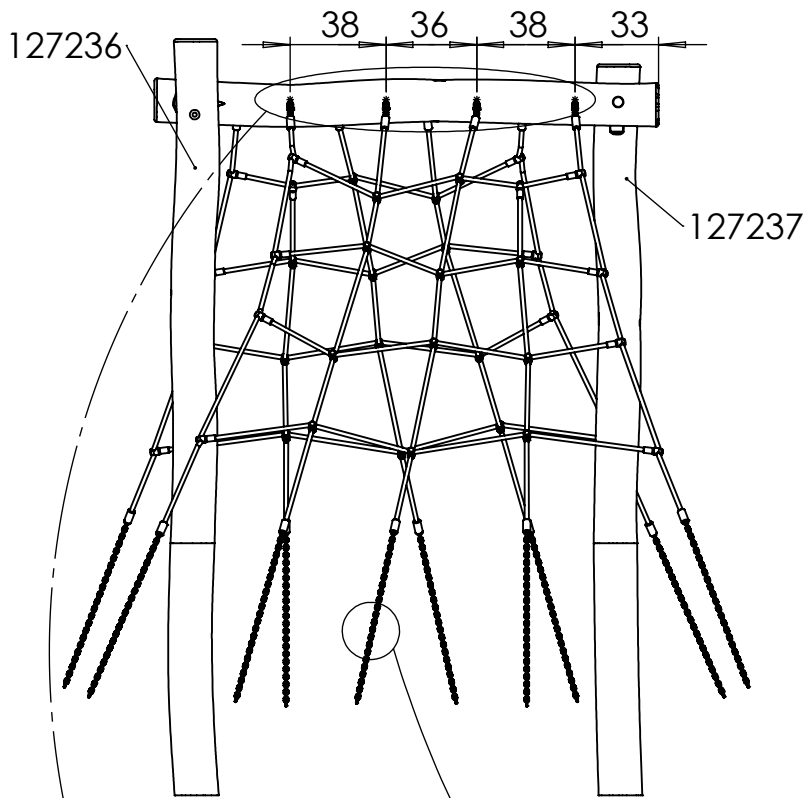


4x 8x50sxi



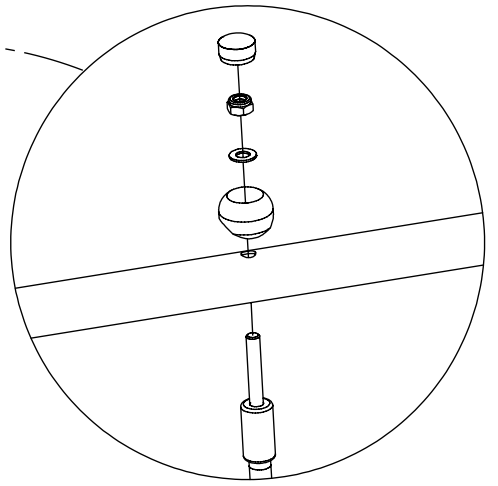
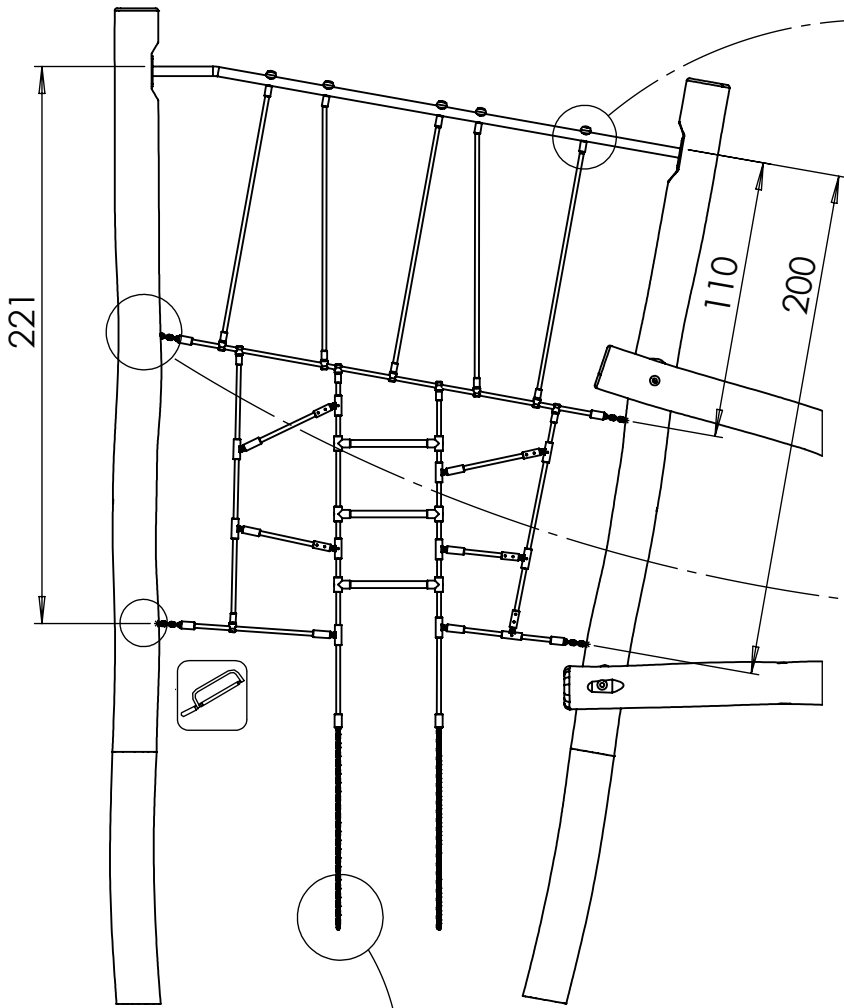
[cm]

vinci
play

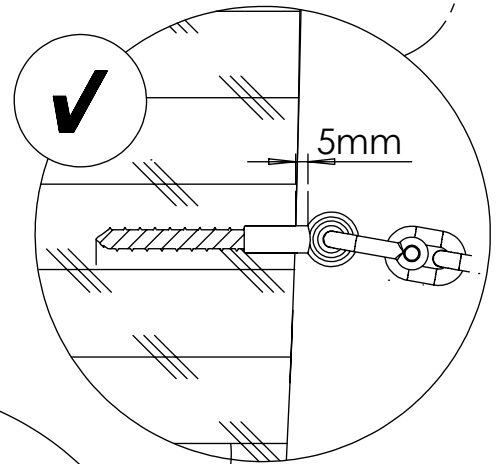
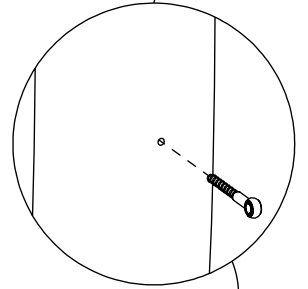
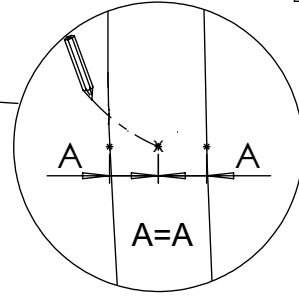


[cm]

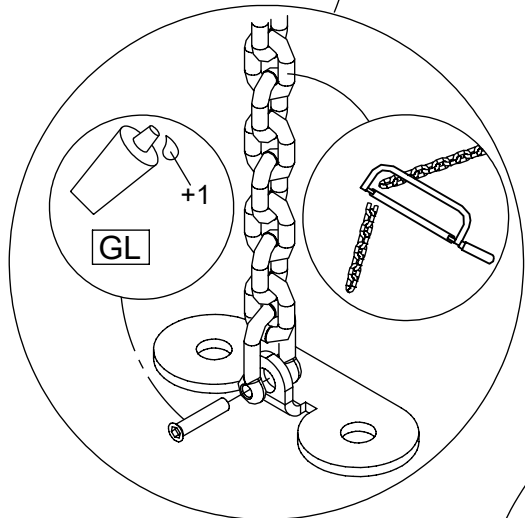
vinci
play



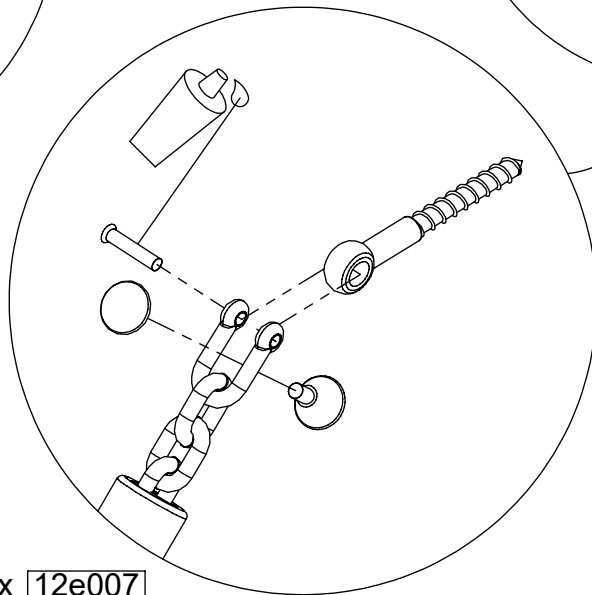
1x 12e035



5mm



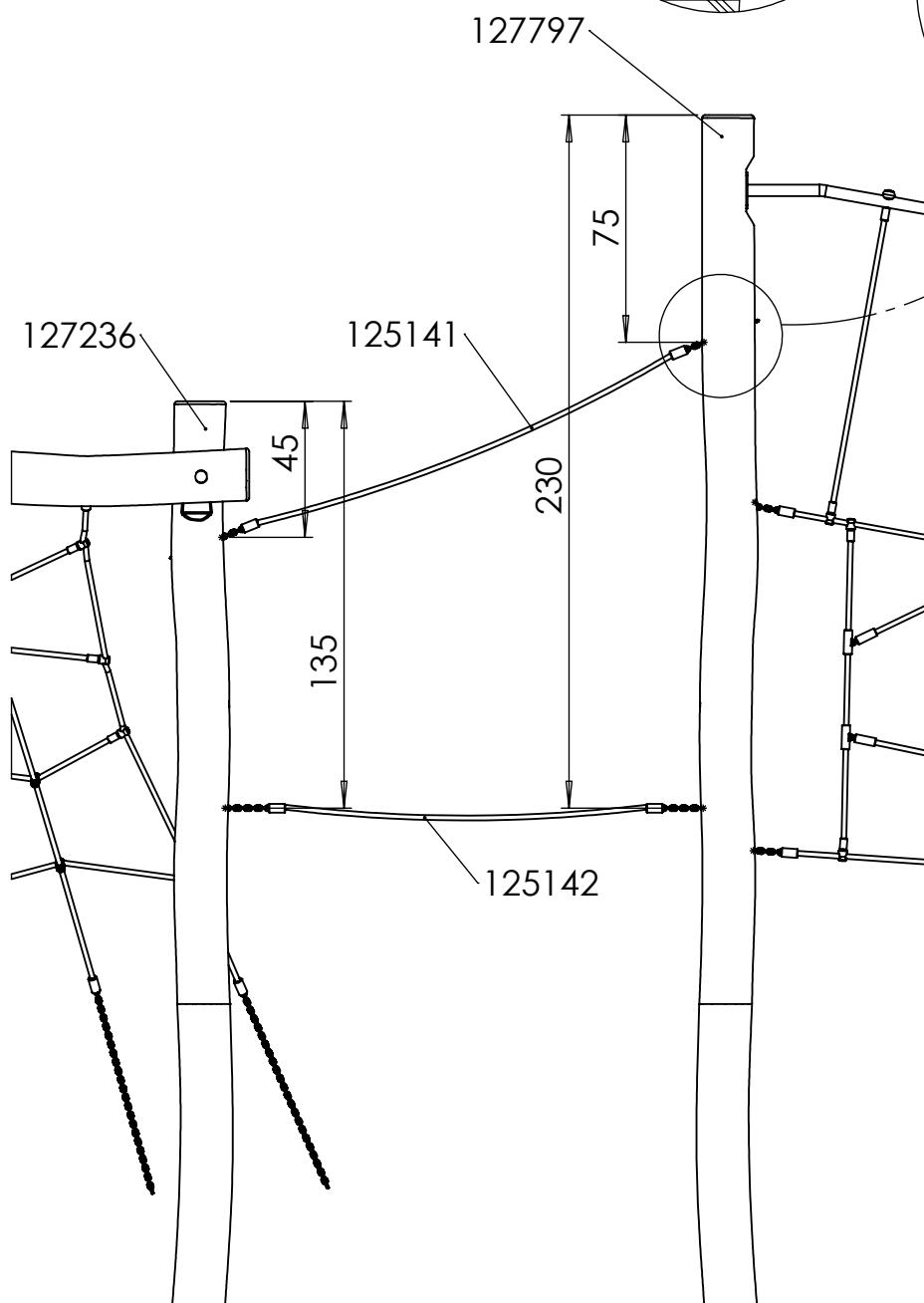
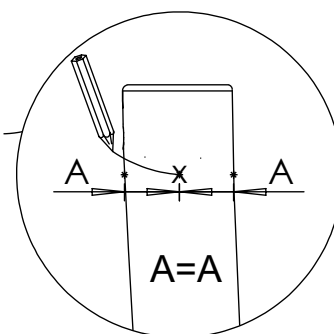
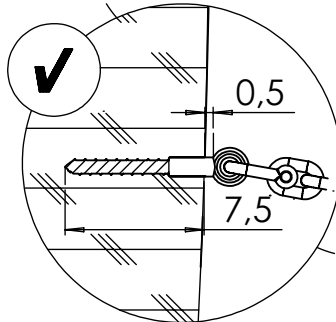
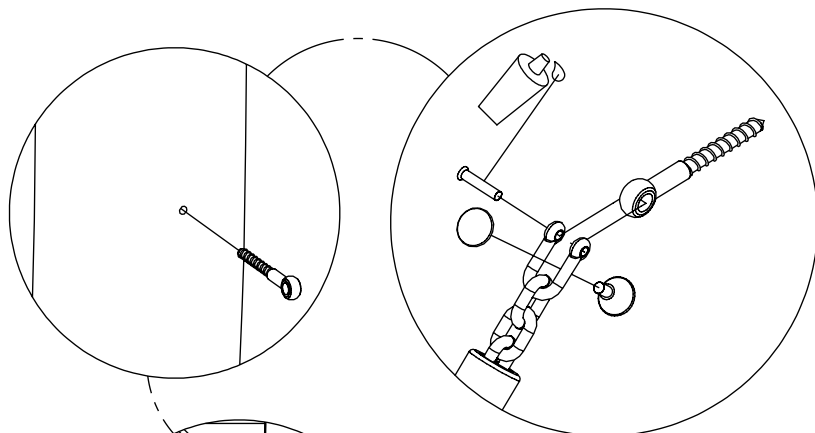
2x 12e052



2x 12e007

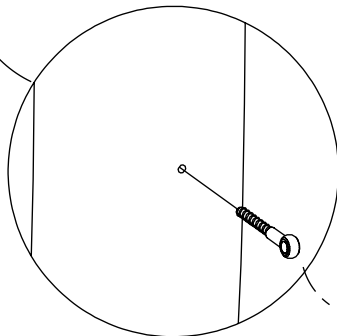
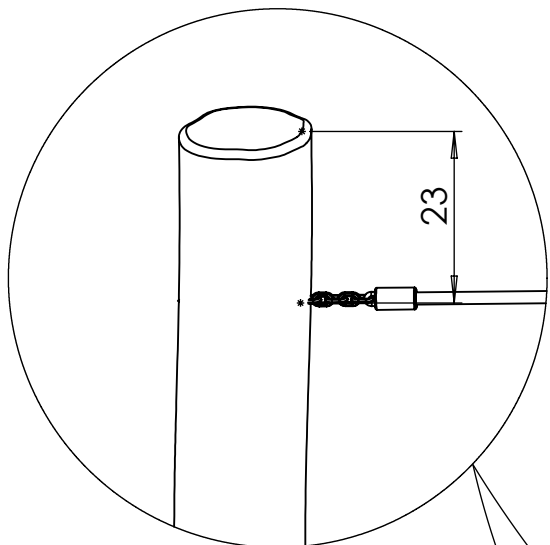
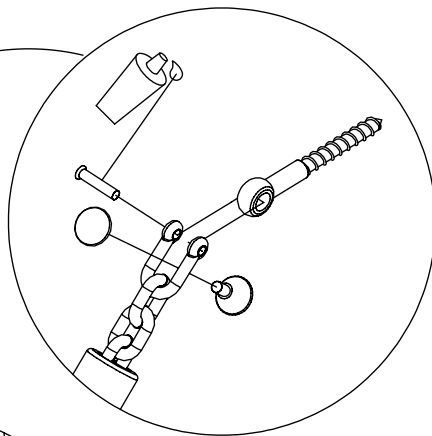
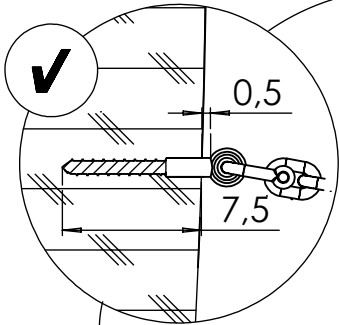
[cm]

vinci
play

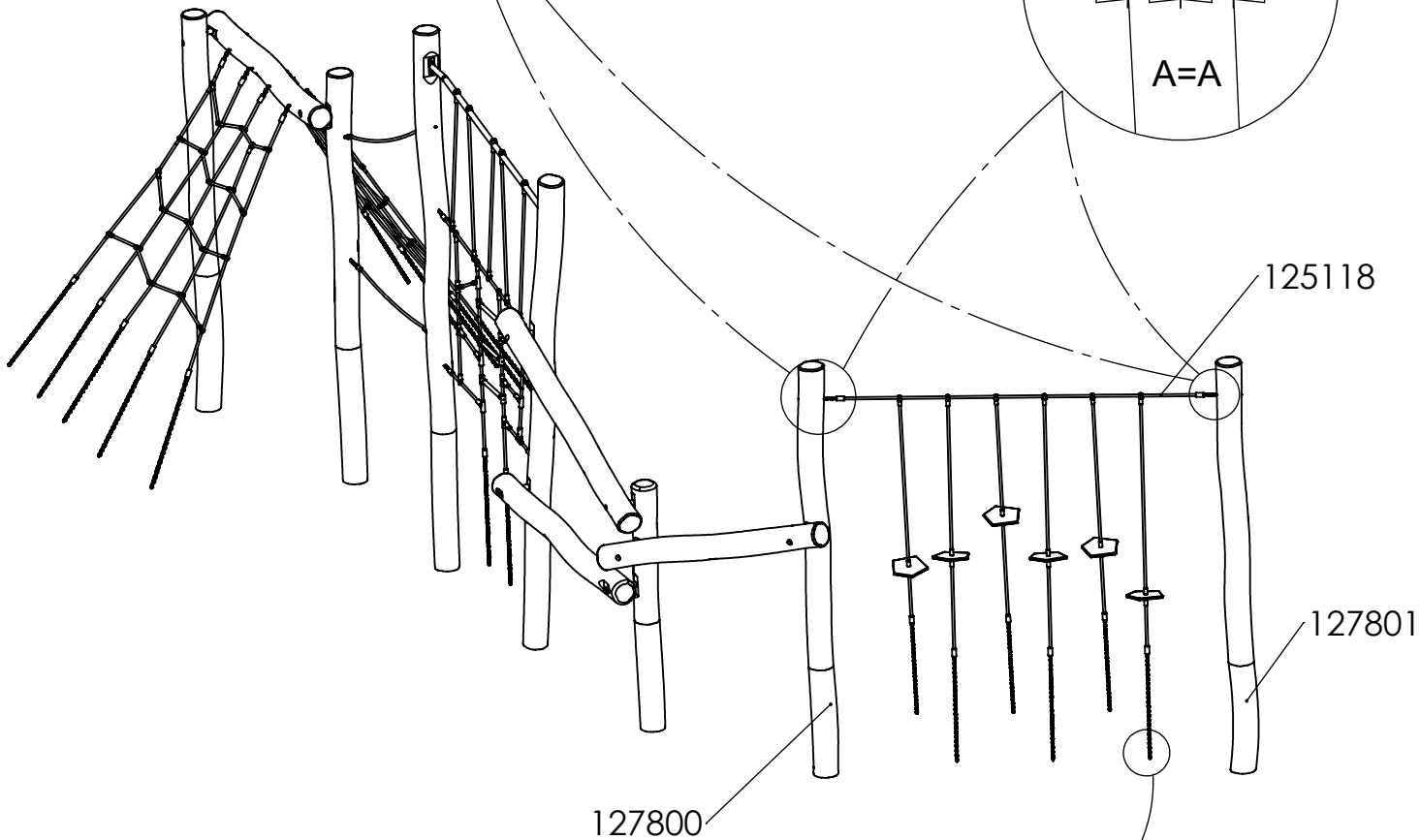
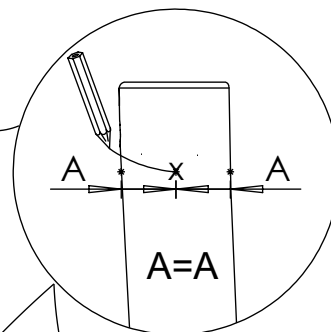


[cm]

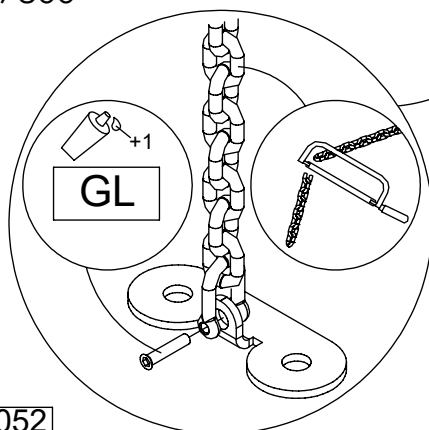
vinci
play



1x 12e007



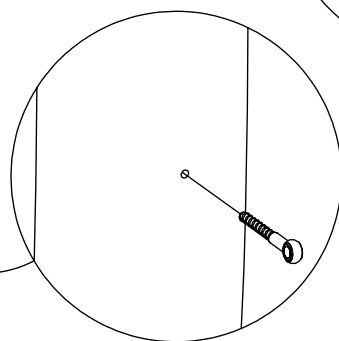
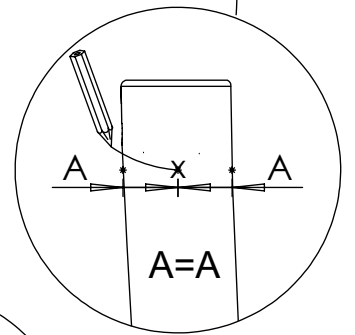
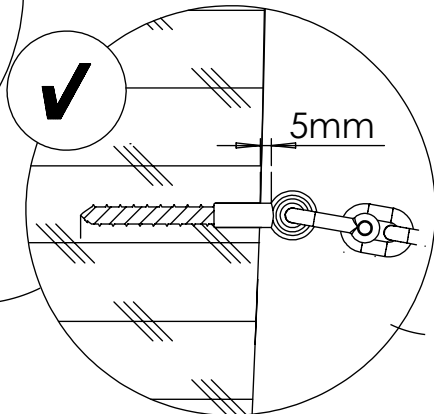
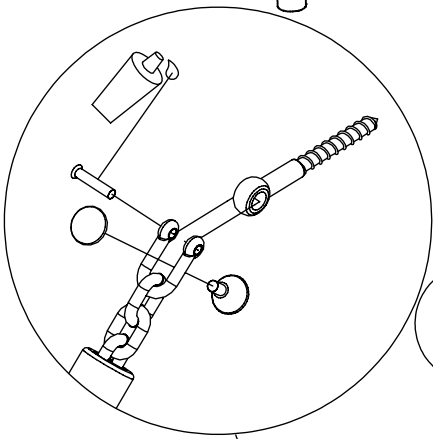
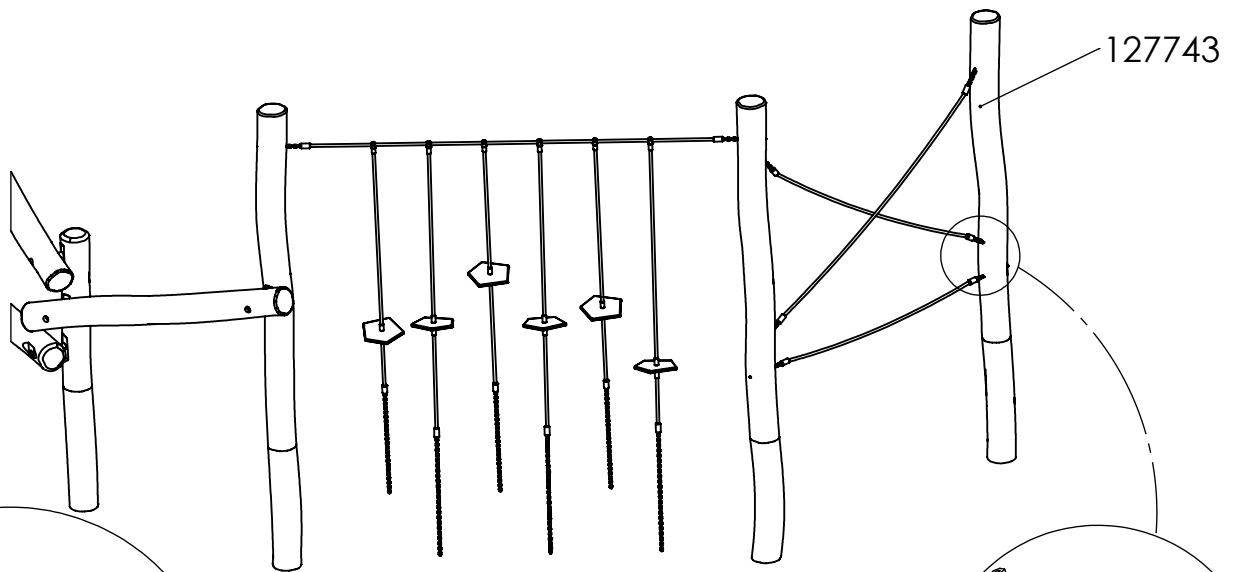
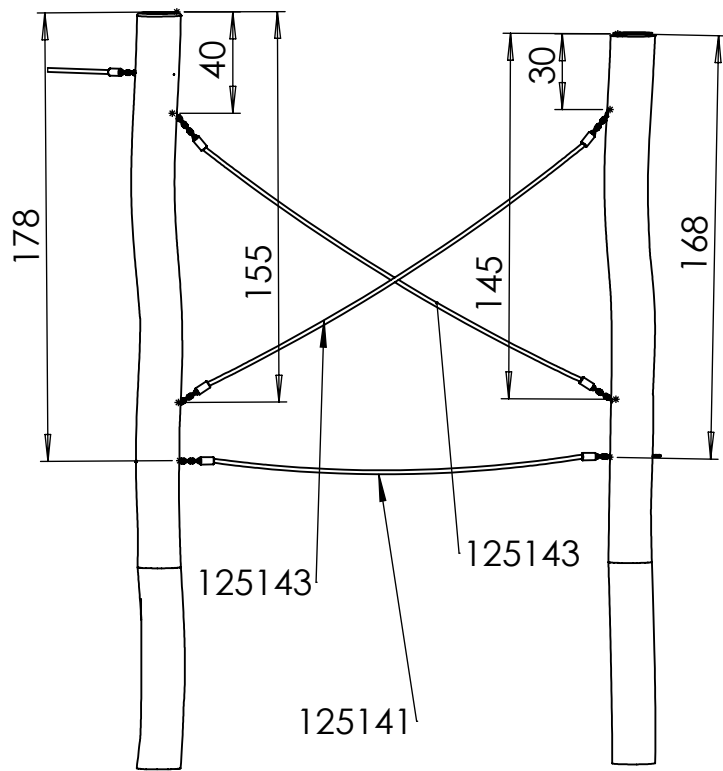
127800



6x 12e052

[cm]

vinci
play

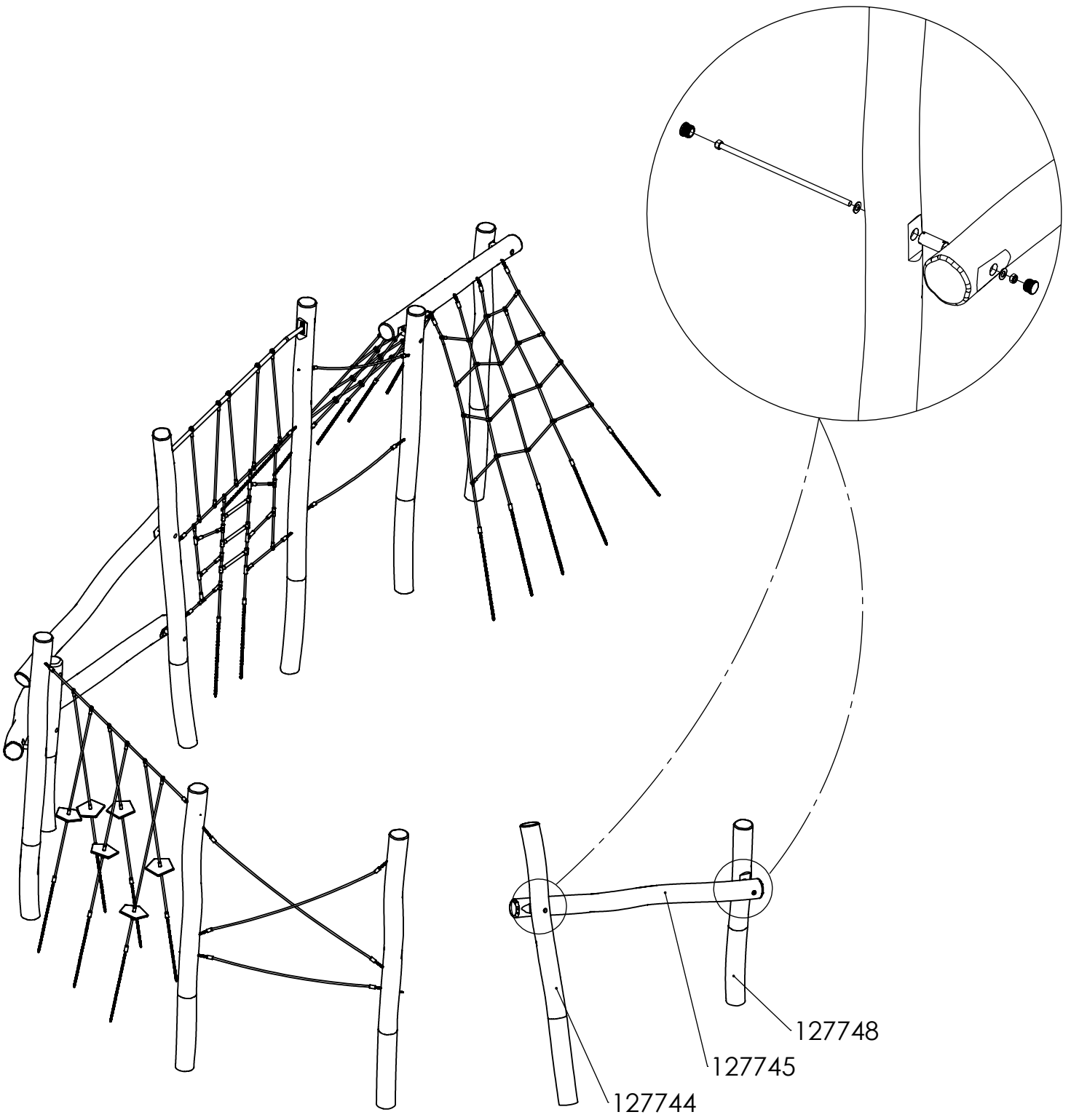


3x 12e007

[cm]

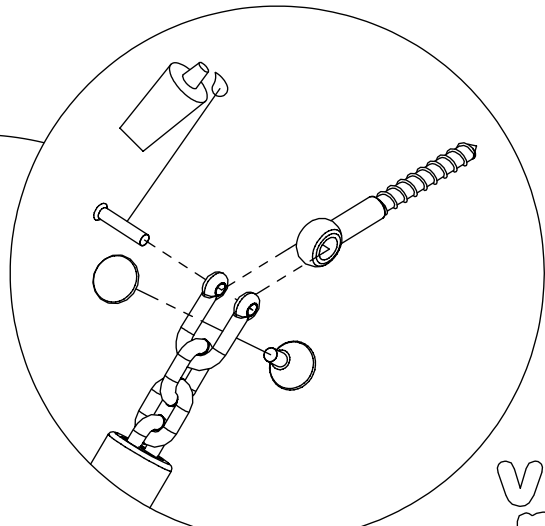
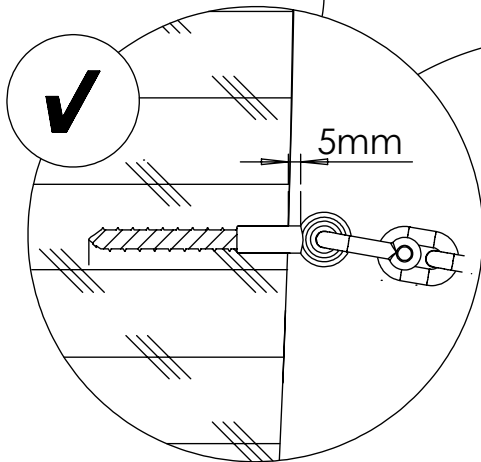
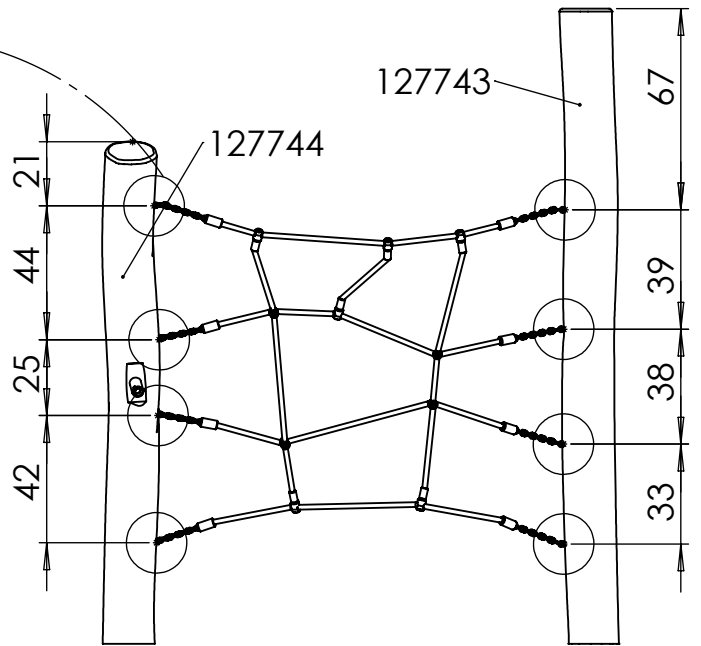
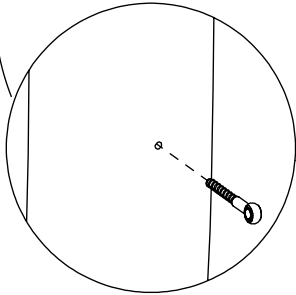
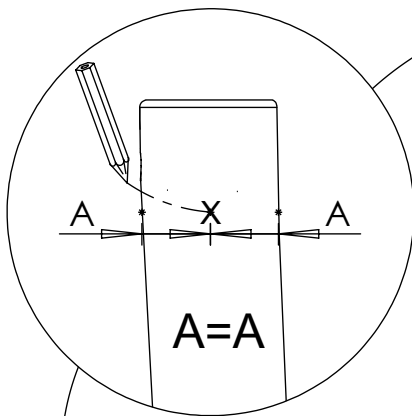
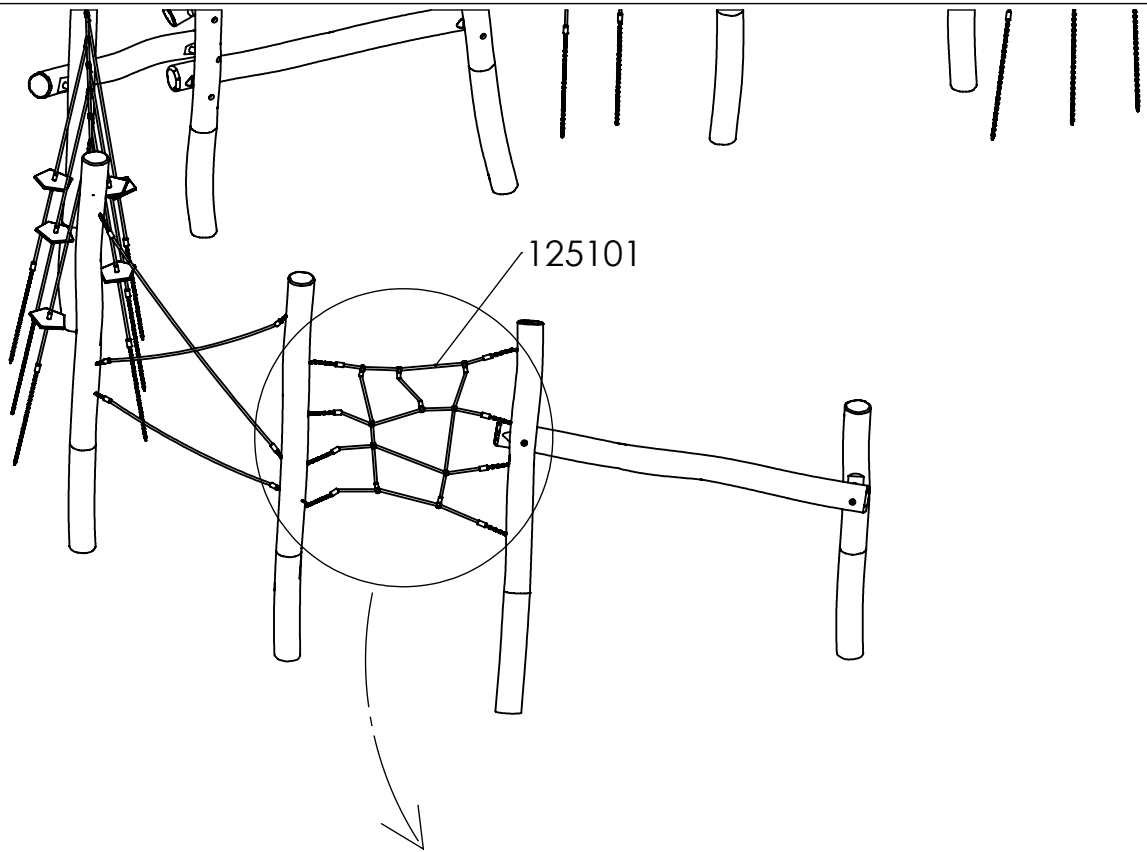
vinci
play

1x 12e022



[cm]

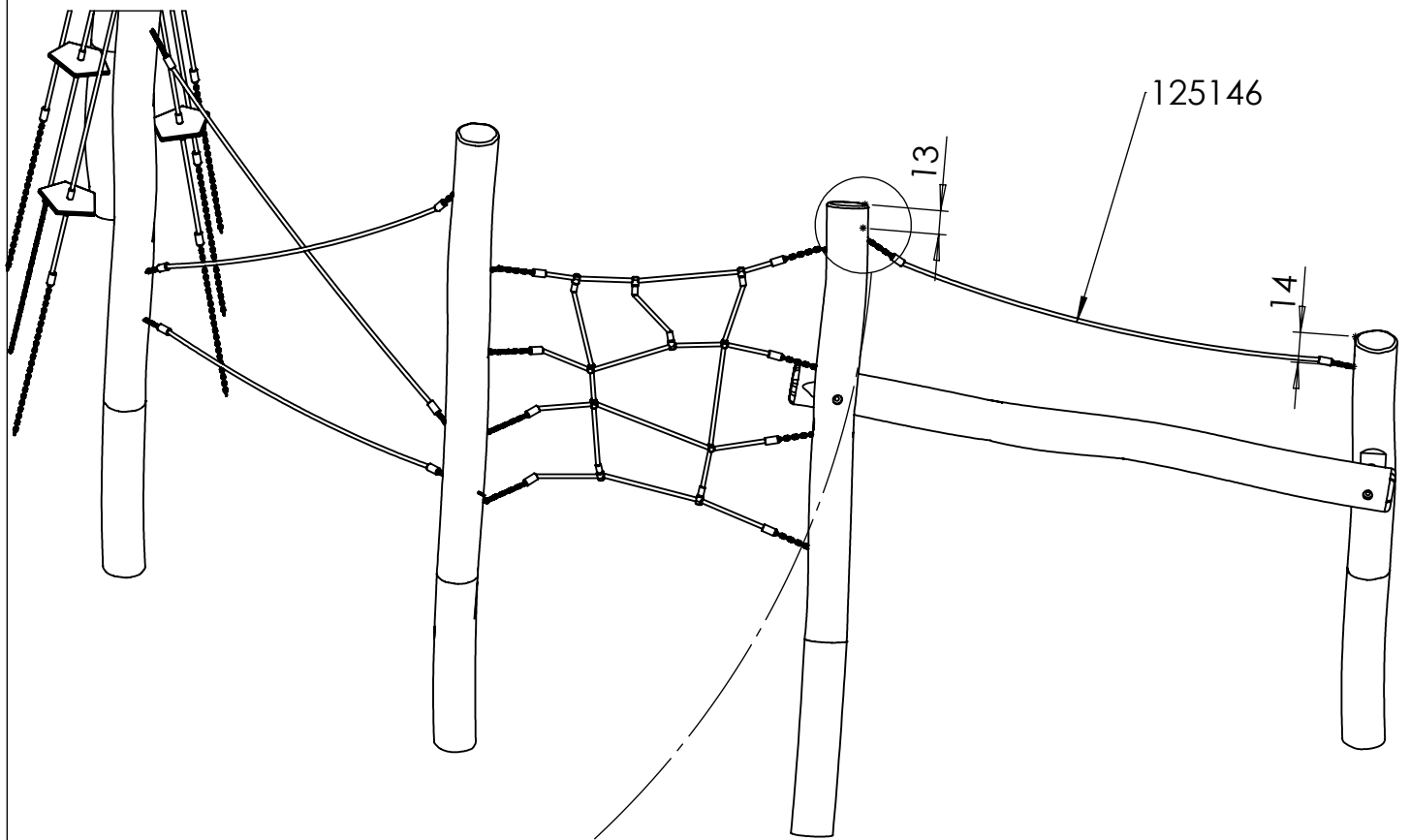
vinci
play



[cm]

4x 12e007

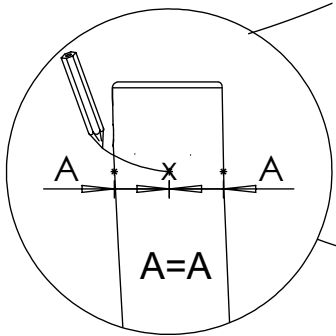
vinci
play



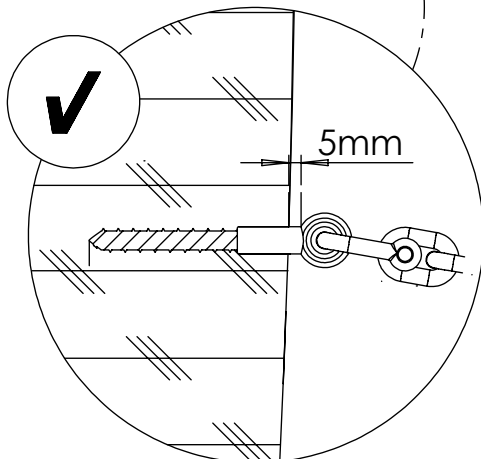
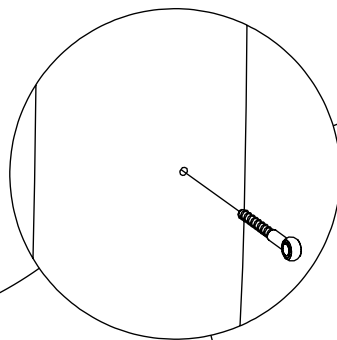
125146

13

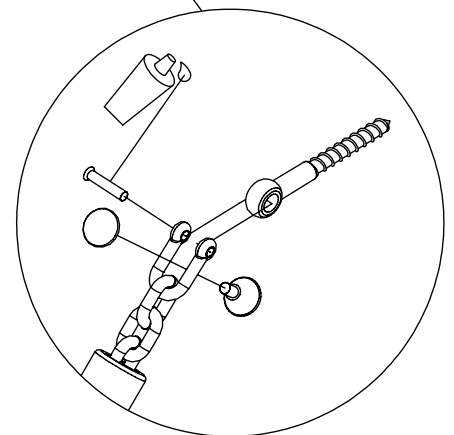
14



A=A



5mm

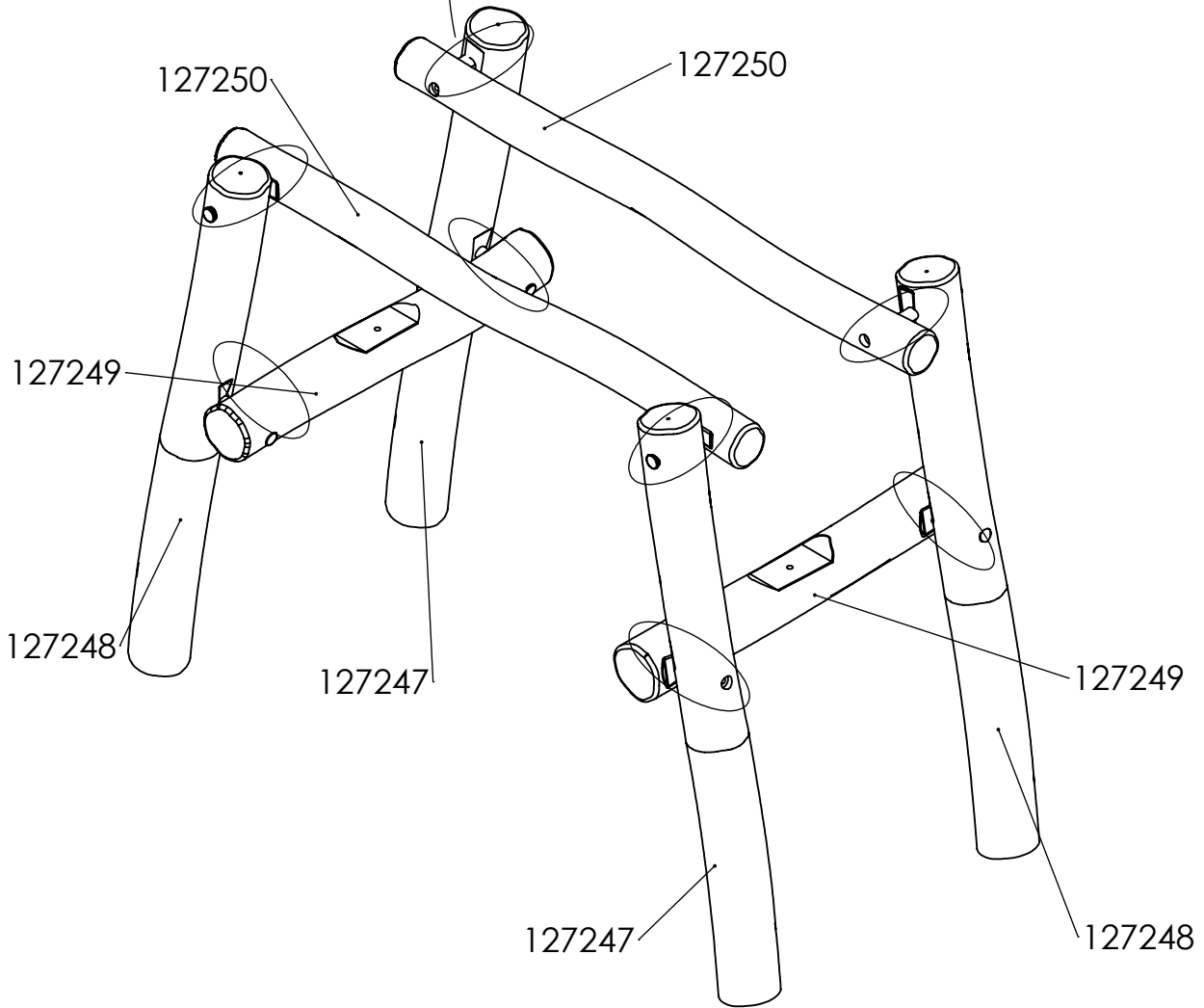
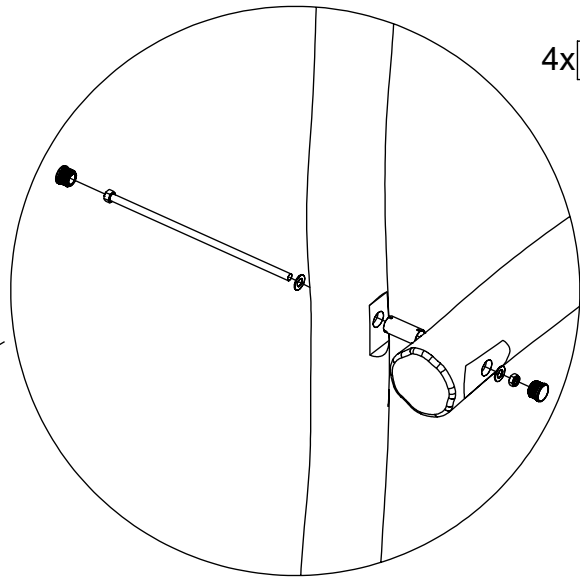


1x 12e007

[cm]

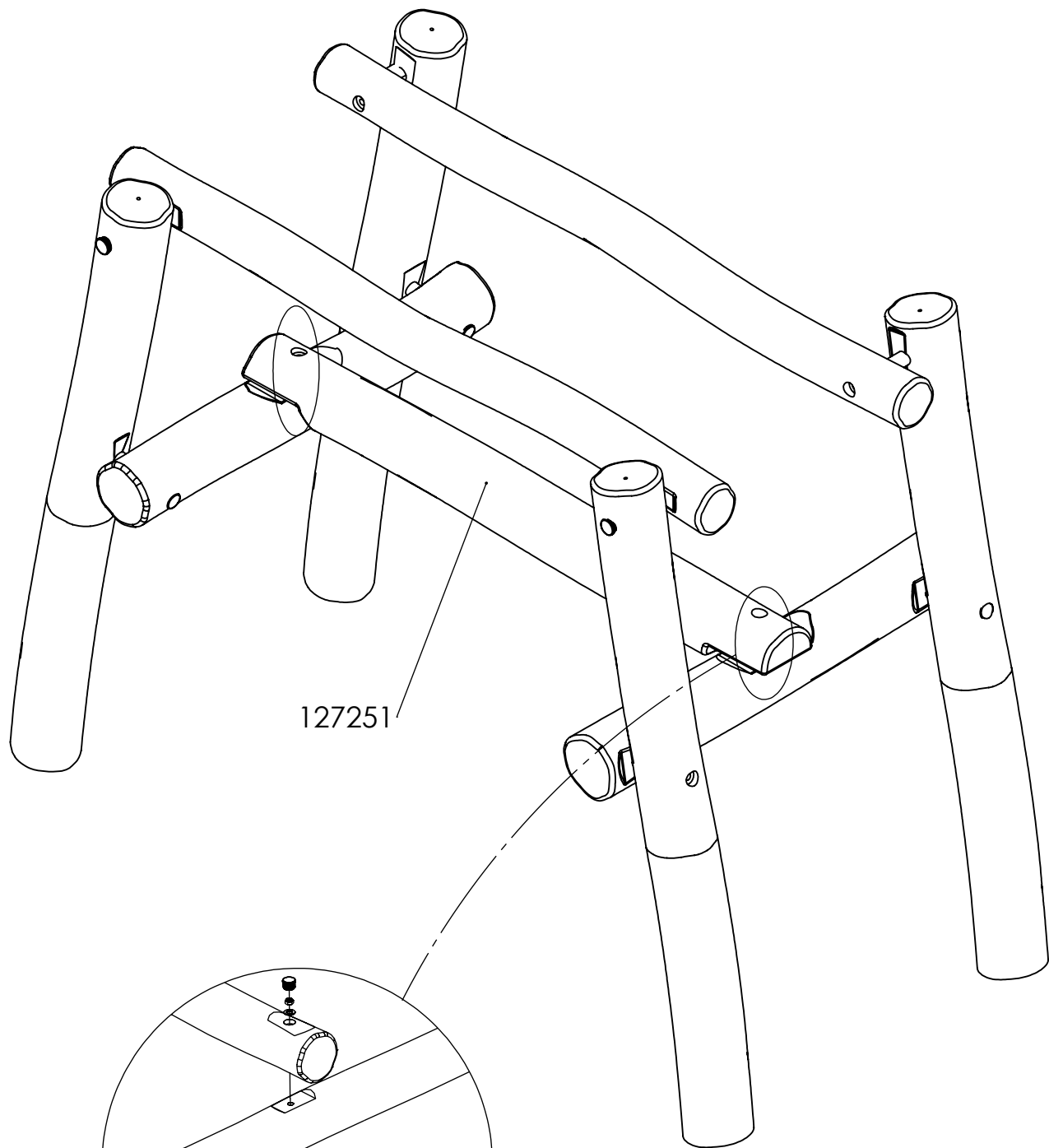
vinci
play

4x 12e022

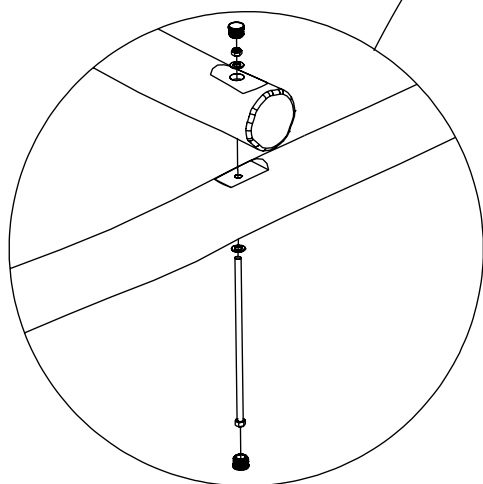


[cm]

vinci
play



127251

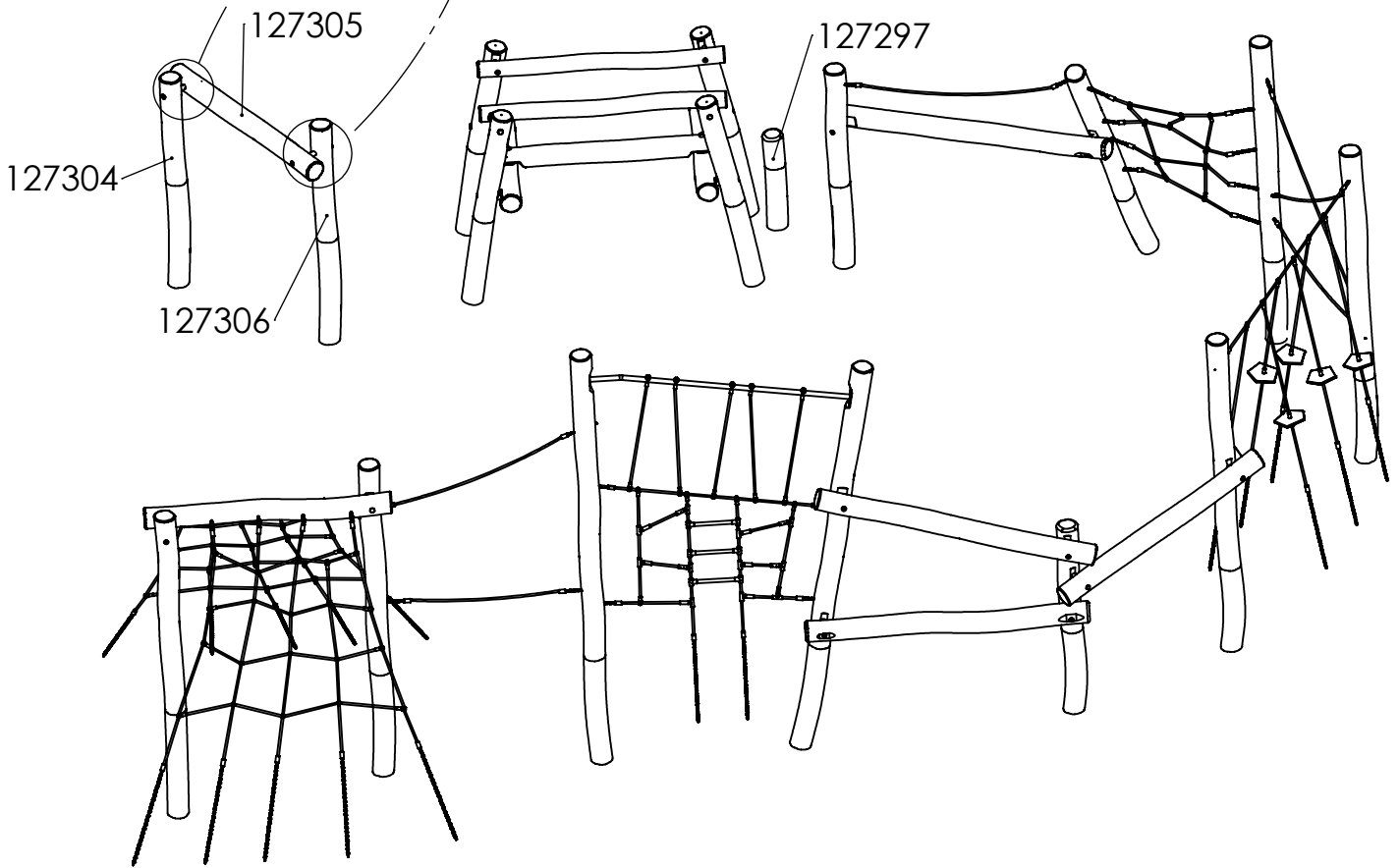
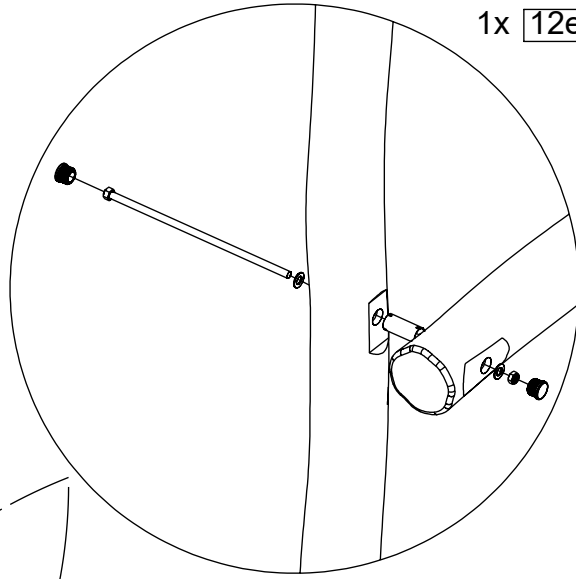


1x 12e023

[cm]

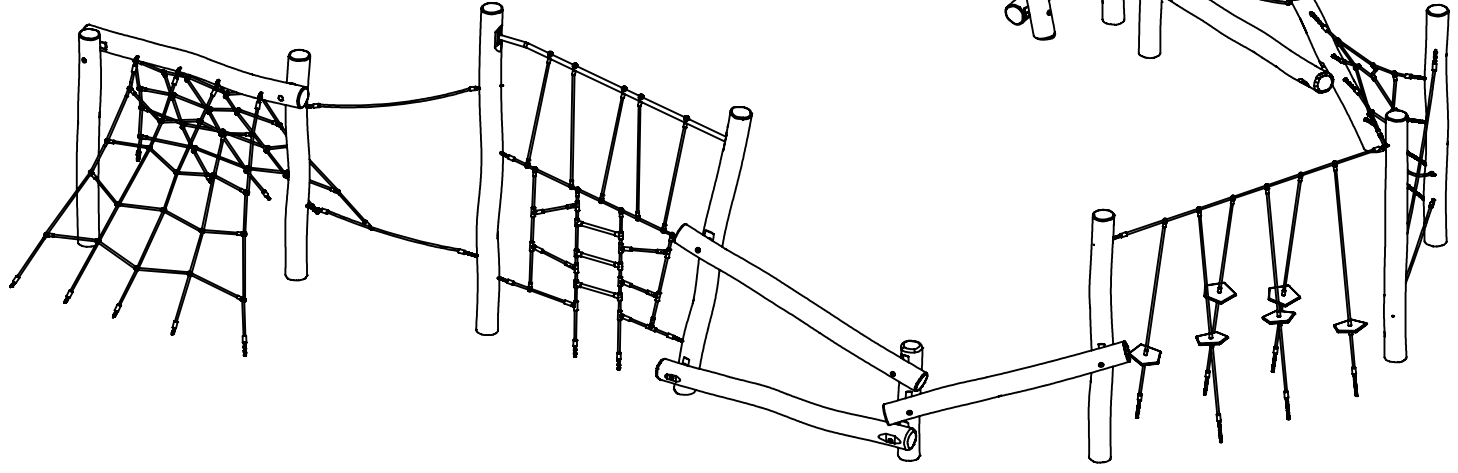
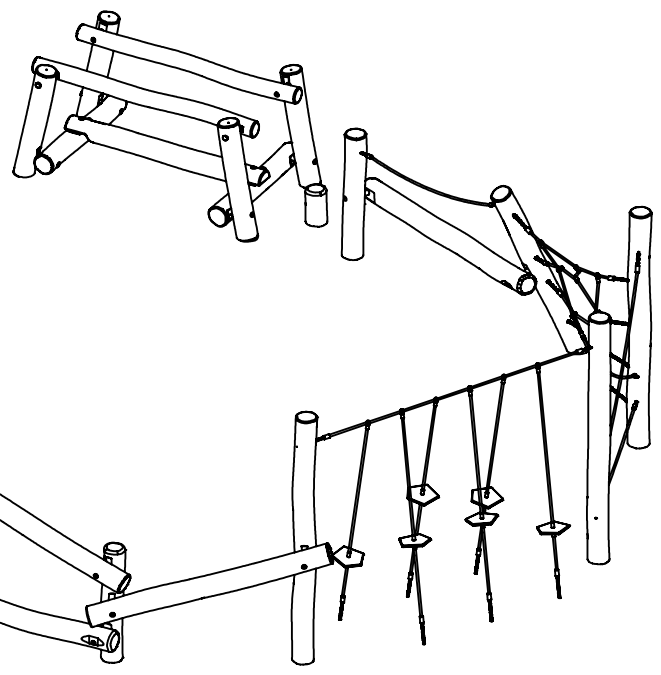
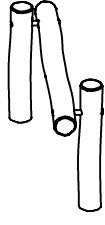
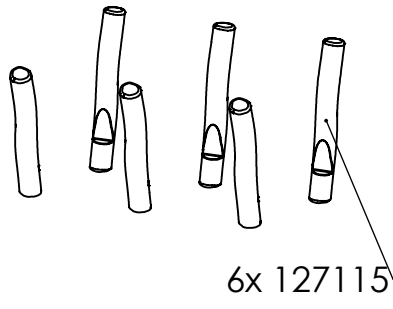
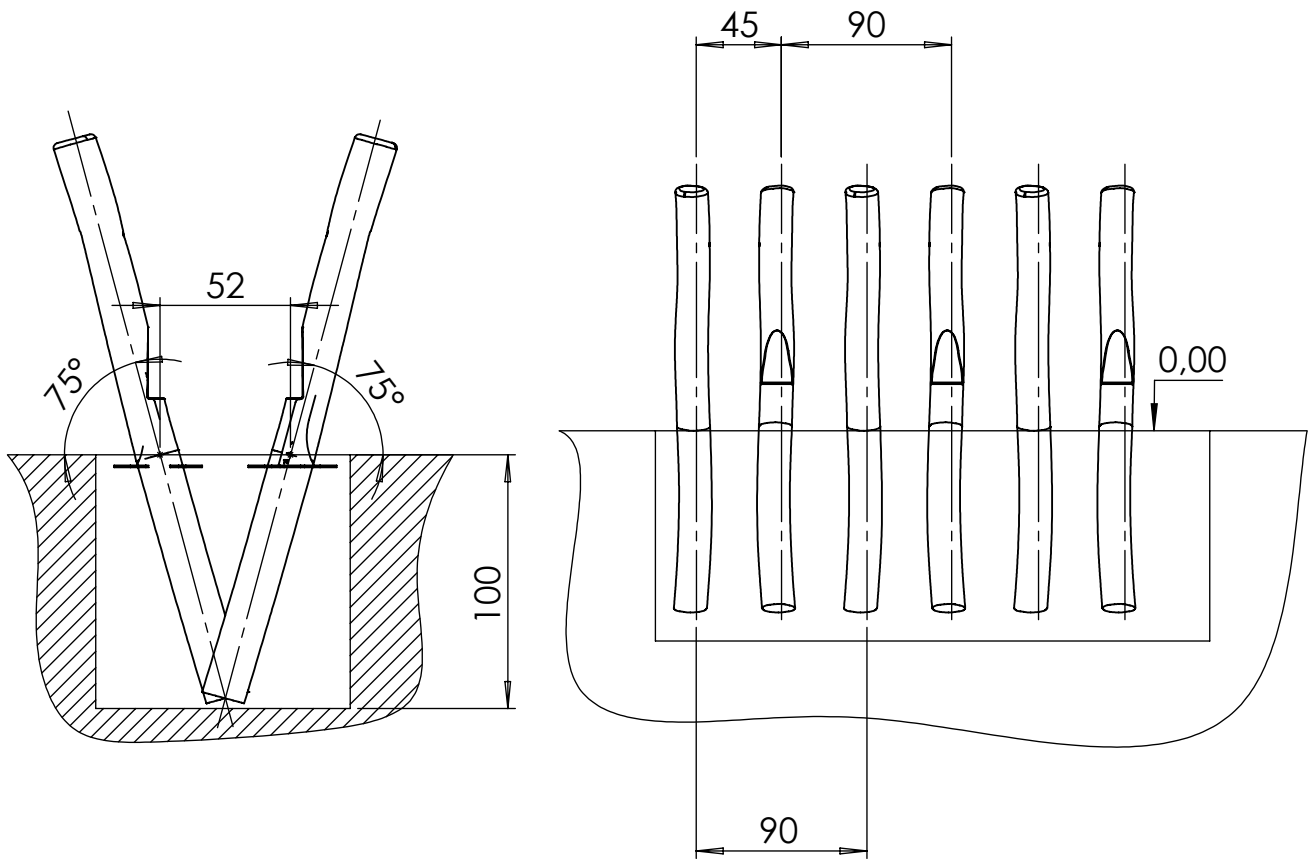
vinci
play

1x 12e022



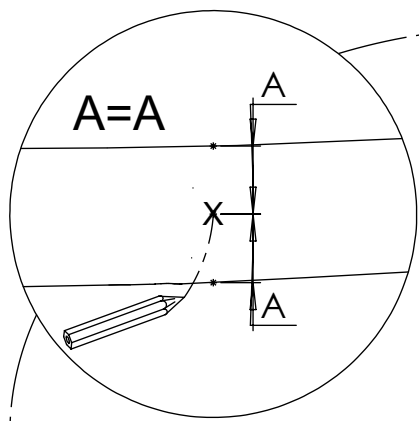
[cm]

vinci
play



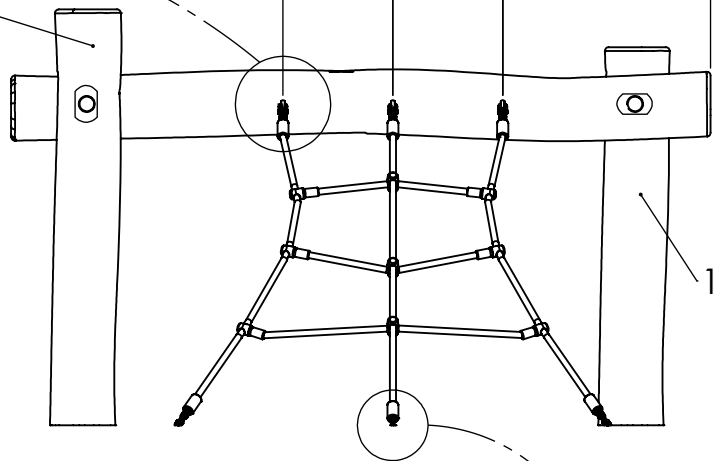
[cm]

vinci
play

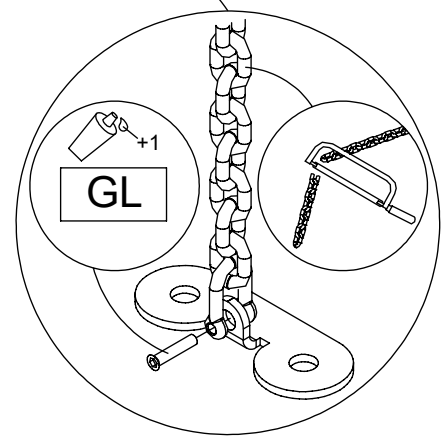
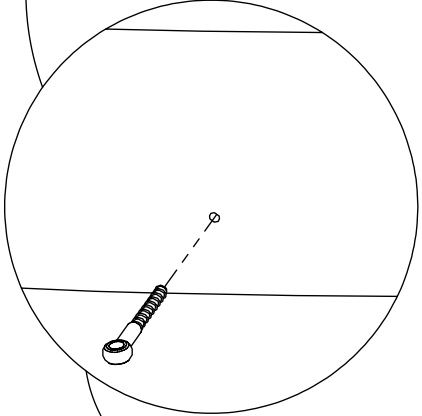


127306

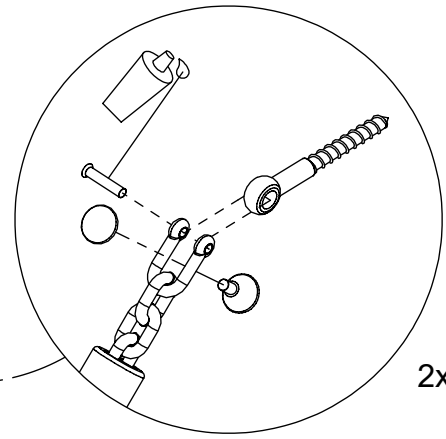
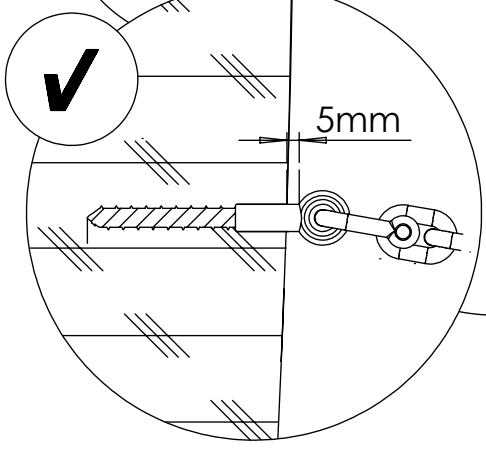
29 29 55



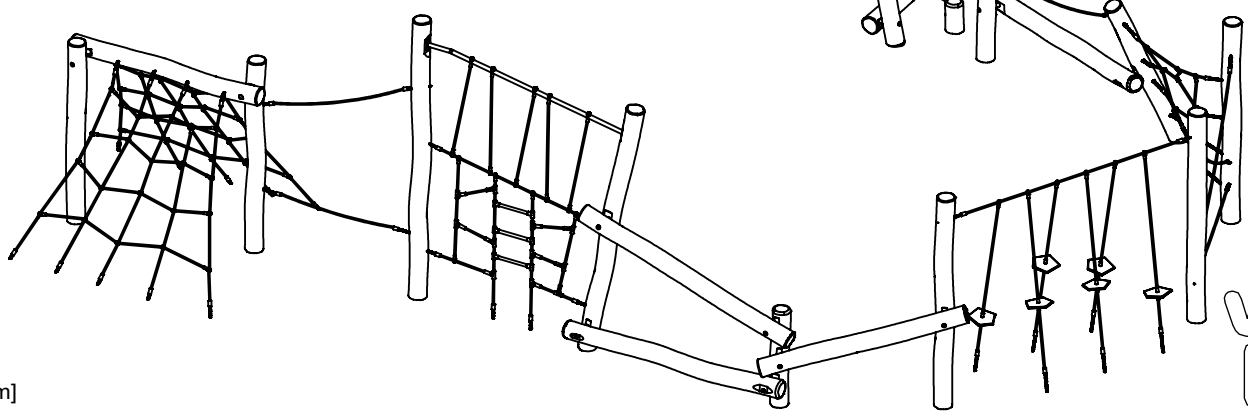
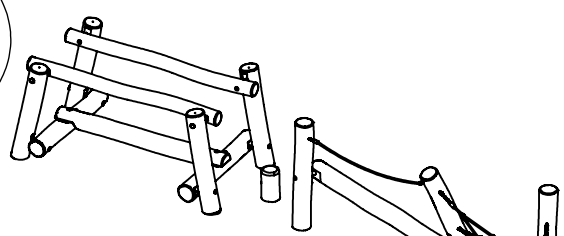
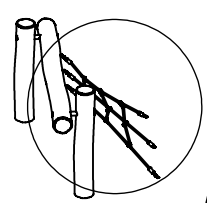
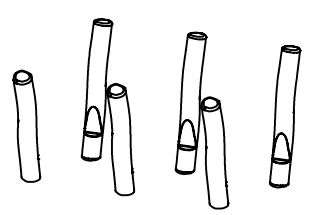
127304



3x 12e052

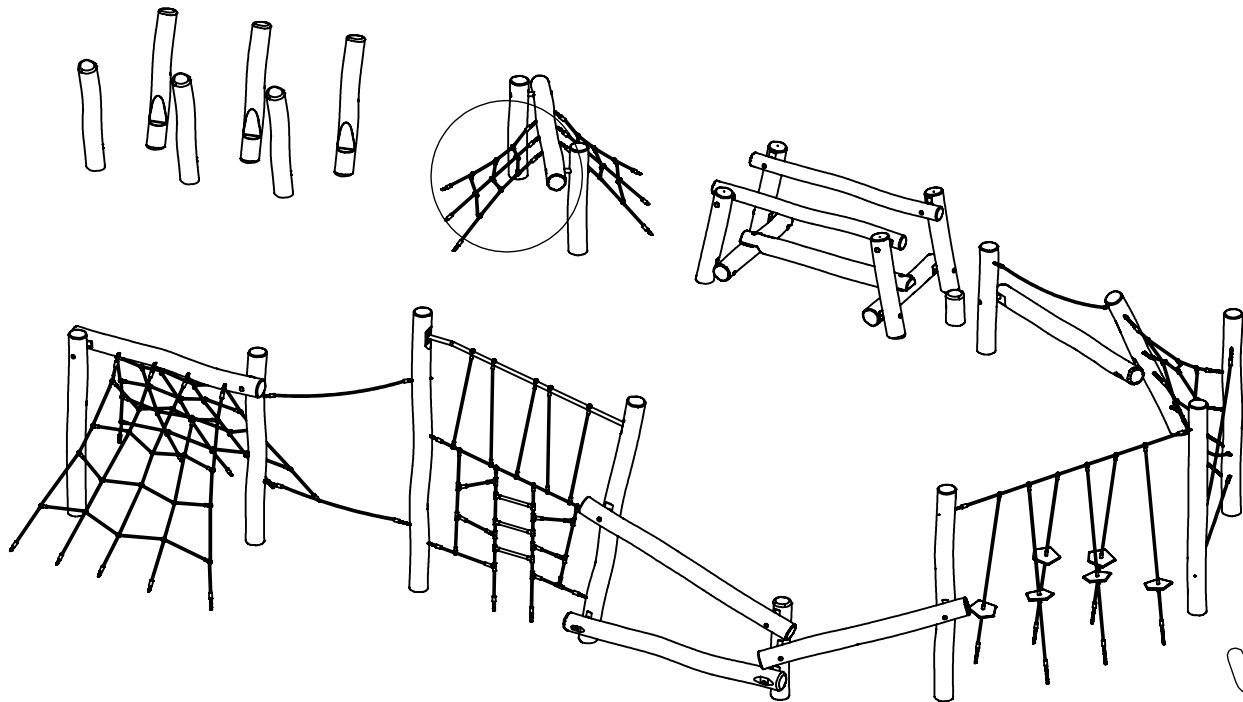
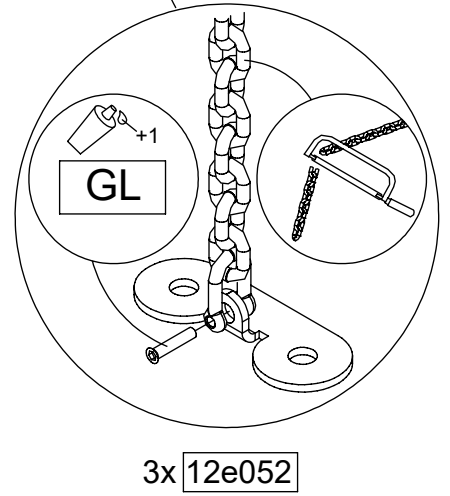
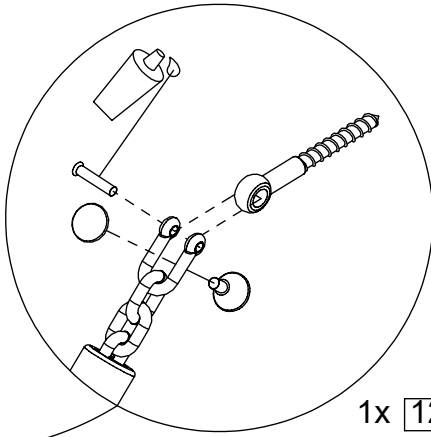
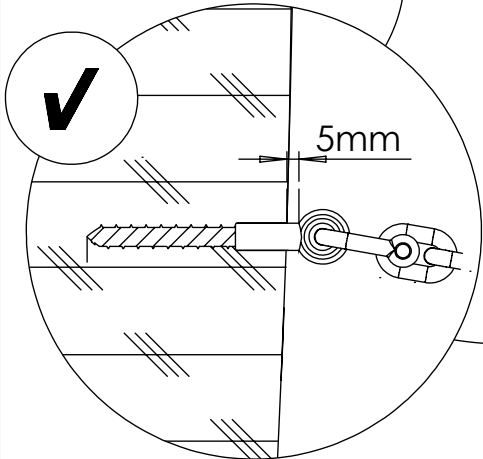
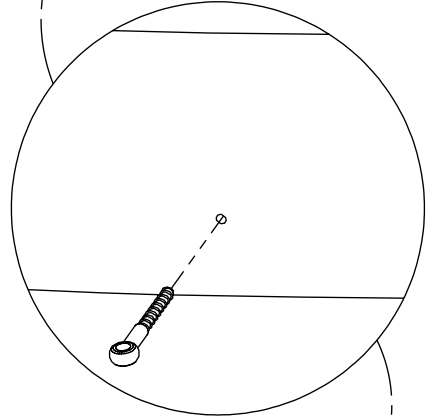
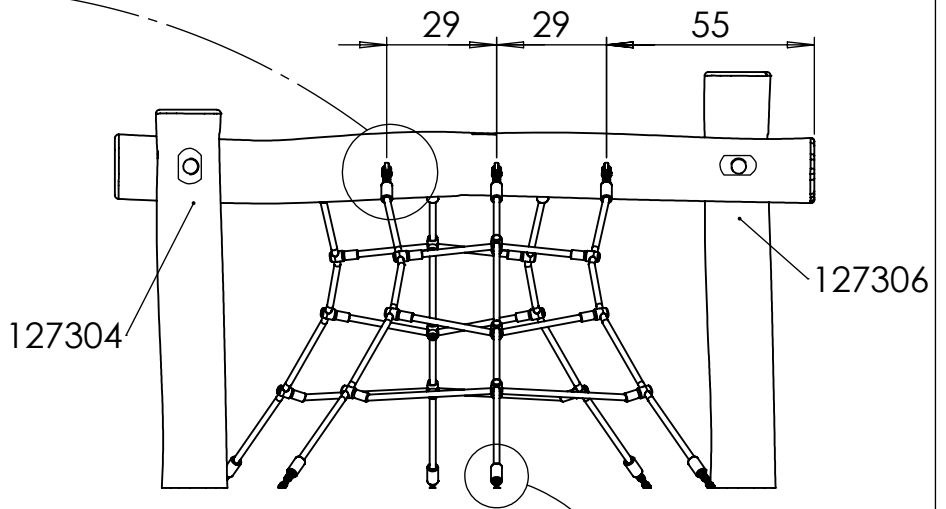
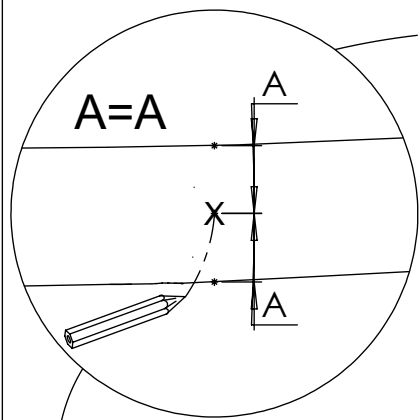


2x 12e007



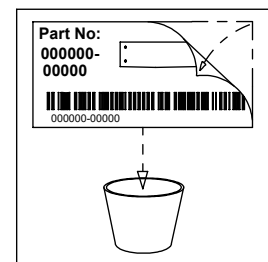
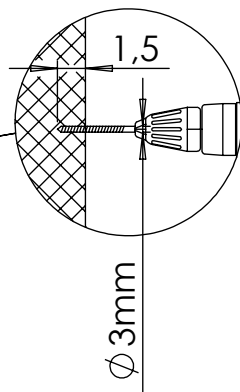
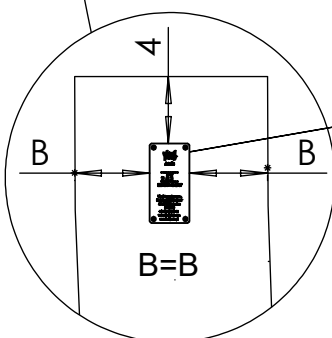
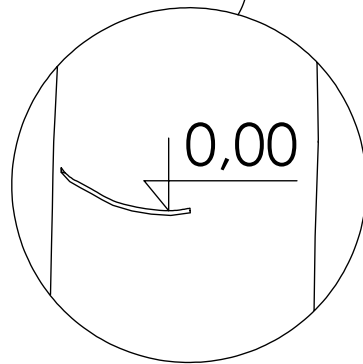
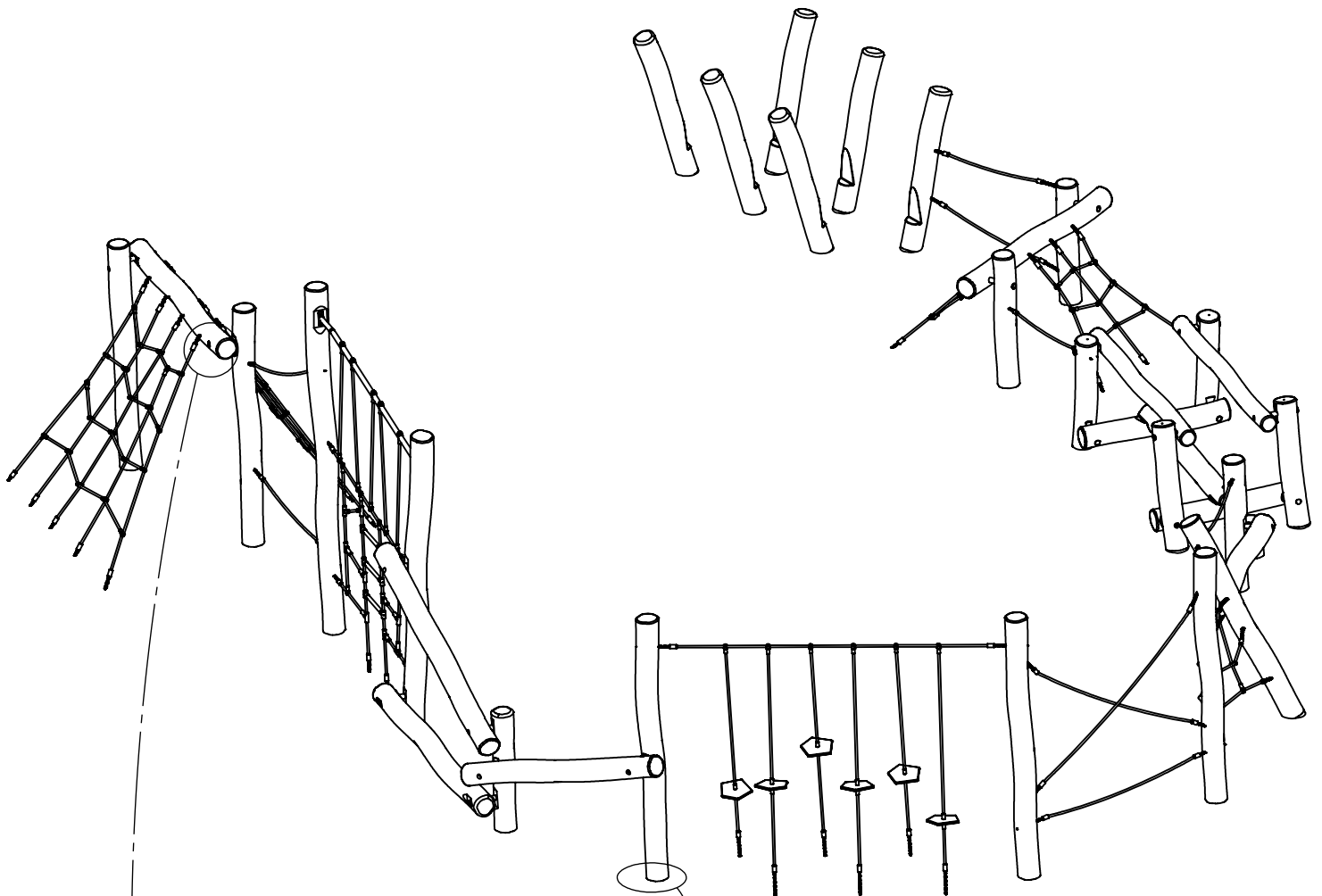
vinci play

[cm]



[cm]

vinci
play



vinci play

[cm]