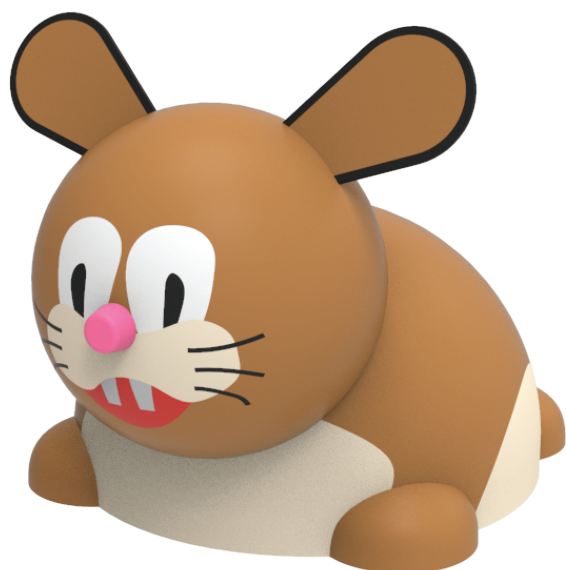


product line **MINI**

# MINI HARE



## PRODUCT COMPOSITION

SBR+EPDM rubber granules, aliphatic PU binder, vandal-resistant fiberglass shell, metal parts

## COLOR COMBINATION

standard: brown / eggshell / black / white  
(other combination on request)

## COLOR STABILITY

UV stable

## RECOMMENDED SAFETY SURFACE

safety rubber surface in the area of 1500mm around the product (according to EN1177)

## PRODUCT SAFETY

certified according to EN1176  
complies with ASTM F1487 and CAN/CSA Z614

## INSTALLATION

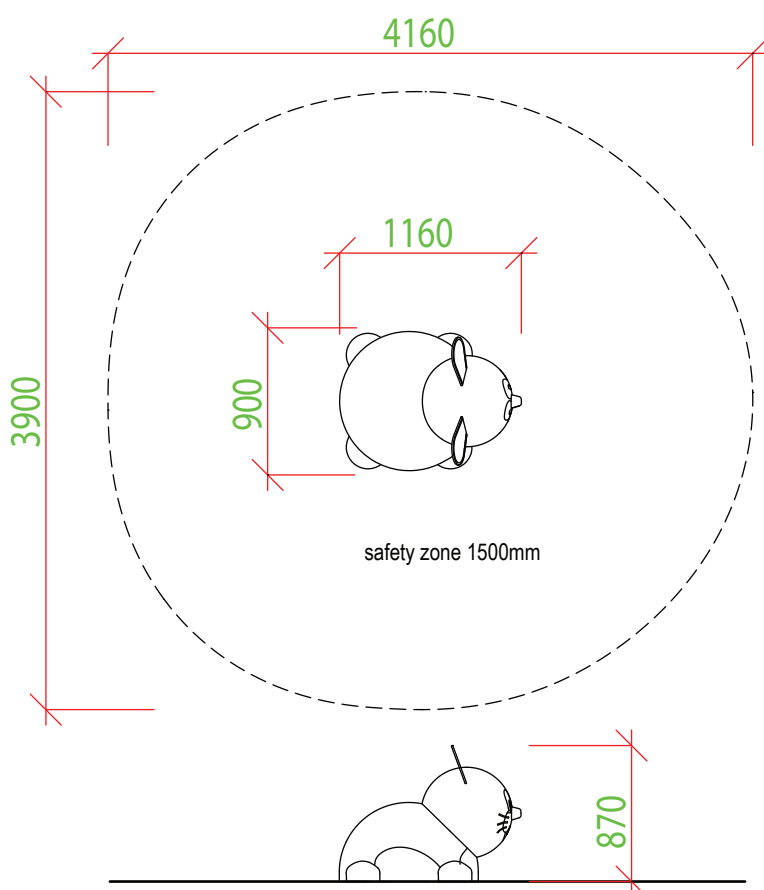
the product is installed onto a concrete foundation

## PACKAGING

wrapped in plastic and delivered on a pallet 1000 x 1300mm

## STORAGE

in original packaging on a pallet  
in temperatures between - 40° C and 50° C



Our products are handmade, please allow dimensional tolerance up to 40 mm

|                        |                                       |                              |                                |                                  |  |
|------------------------|---------------------------------------|------------------------------|--------------------------------|----------------------------------|--|
| <b>65 kg</b><br>weight | <b>870 mm</b><br>critical fall height | <b>1 hr</b><br>assembly time | <b>0 - 8 yrs</b><br>users' age | <b>3</b><br>max. number of users | <b>900 x 1160 x 870 mm</b><br>dimensions |
|------------------------|---------------------------------------|------------------------------|--------------------------------|----------------------------------|--|

## 3D PROGRAM, s.r.o.

Objízdná 1911  
Otrokovice 765 02  
Czech Republic



MADE IN EU

www.3dprogram.eu  
info@3dprogram.eu  
+420 602 500 045 +420 577 700 718

