

# WHALE



## PRODUCT COMPOSITION

SBR+EPDM rubber granules, aliphatic PU binder, vandal-resistant fiberglass shell, stainless steel „fin“

## COLOR COMBINATION

standard: blue, white, black, green

## COLOR STABILITY

UV stable

## RECOMMENDED SAFETY SURFACE

safety rubber surface in the area of 1500mm around the product (according to EN1177)

## PRODUCT SAFETY

certified according to EN1176  
complies with ASTM F1487 and CAN/CSA Z614

## INSTALLATION

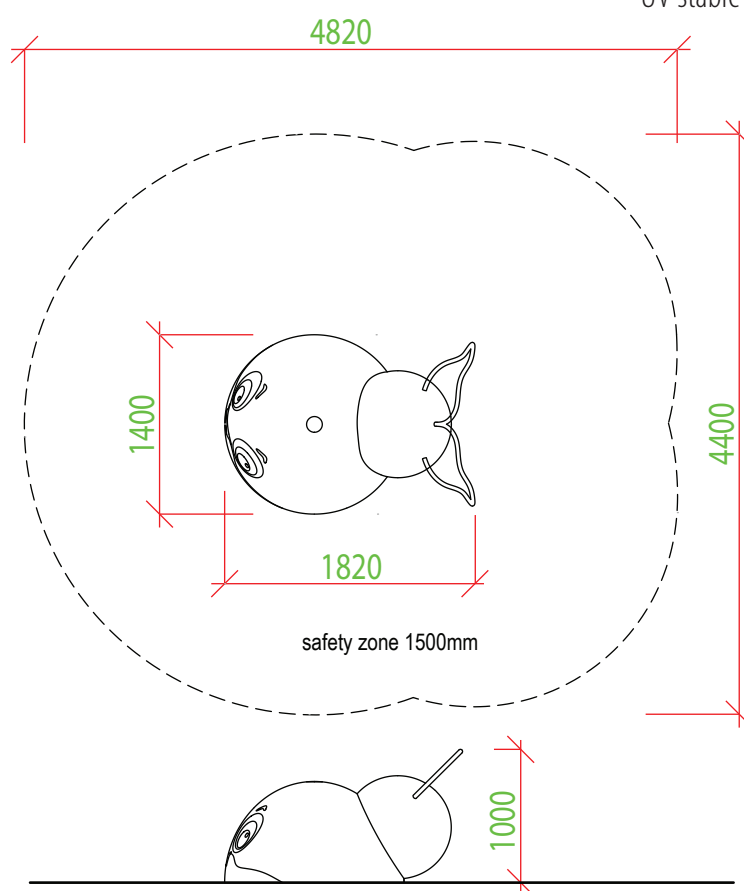
the product is installed onto a concrete foundation

## PACKAGING

wrapped in plastic and delivered on a pallet 1650 x 2100mm

## STORAGE

in original packaging on a pallet  
in temperatures between - 40° C and 50° C



Our products are handmade, please allow dimensional tolerance up to 40 mm

<b>140 kg</b> weight	<b>1000 mm</b> critical fall height	<b>1 h</b> assembly time	<b>2 - 10 yrs</b> users' age	<b>5</b> max. number of users	<b>1400 x 1820 x 1000 mm</b> dimensions
-------------------------	--	-----------------------------	---------------------------------	----------------------------------	--

## 3D PROGRAM, s.r.o.

Objízdná 1911  
Otrokovice 765 02  
Czech Republic



MADE IN EU

www.3dprogram.eu  
info@3dprogram.eu  
+420 602 500 045 +420 577 700 718



# PRODUCT SHEET

C25w, C25tp, C25ts, C25wtp, C25wts /21EN

product line **CLASSIC**



## WHALE with tube

### PRODUCT COMPOSITION

SBR+EPDM rubber granules, aliphatic PU binder, vandal-resistant fiberglass shell, stainless steel „fin“, stainless steel (opt. PVC) tube

### COLOR COMBINATION

standard: blue, white, black, green

### COLOR STABILITY

UV stable

Product is offered either with PVC or stainless steel tube Ø460mm.

### RECOMMENDED SAFETY SURFACE

safety rubber surface in the area of 1500mm around the product (according to EN1177)

### PRODUCT SAFETY

certified according to EN1176  
complies with ASTM F1487 and CAN/CSA Z614

### INSTALLATION

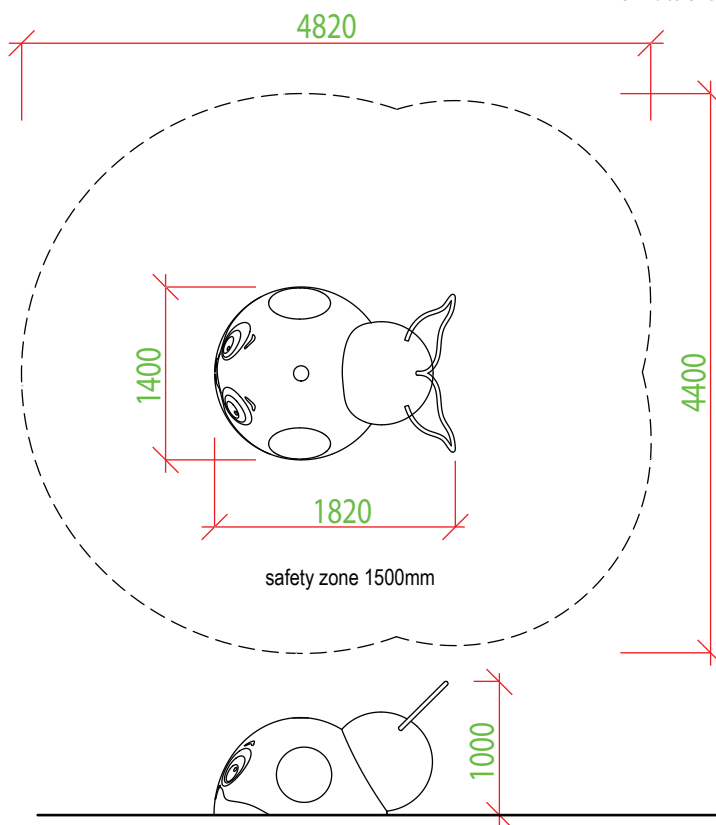
the product is installed  
onto a concrete foundation

### PACKAGING

wrapped in plastic and delivered  
on a pallet 1650 x 2100mm

### STORAGE

in original packaging on a pallet  
in temperatures between - 40° C and 50° C



<b>160 kg</b> weight	<b>1000 mm</b> critical fall height	<b>1 h</b> assembly time	<b>2 - 10 yrs</b> users' age	<b>5</b> max. number of users	<b>1400 x 1820 x 1000 mm</b> dimensions
-------------------------	--	-----------------------------	---------------------------------	----------------------------------	--

### 3D PROGRAM, s.r.o.

Objízdná 1911  
Otrokovice 765 02  
Czech Republic



MADE IN EU

www.3dprogram.eu  
info@3dprogram.eu  
+420 602 500 045 +420 577 700 718

