

# COW

## PRODUCT COMPOSITION

SBR+EPDM rubber granules, aliphatic PU binder, vandal-resistant fiberglass shell, metal parts

## COLOR COMBINATION

standard: brown / beige - eggshell / pink  
(other combination on request)

## COLOR STABILITY

UV stable



## RECOMMENDED SAFETY SURFACE

safety rubber surface in the area of 1500mm around the product (according to EN1177)

## PRODUCT SAFETY

certified according to EN1176  
complies with ASTM F1487 and CAN/CSA Z614

## INSTALLATION

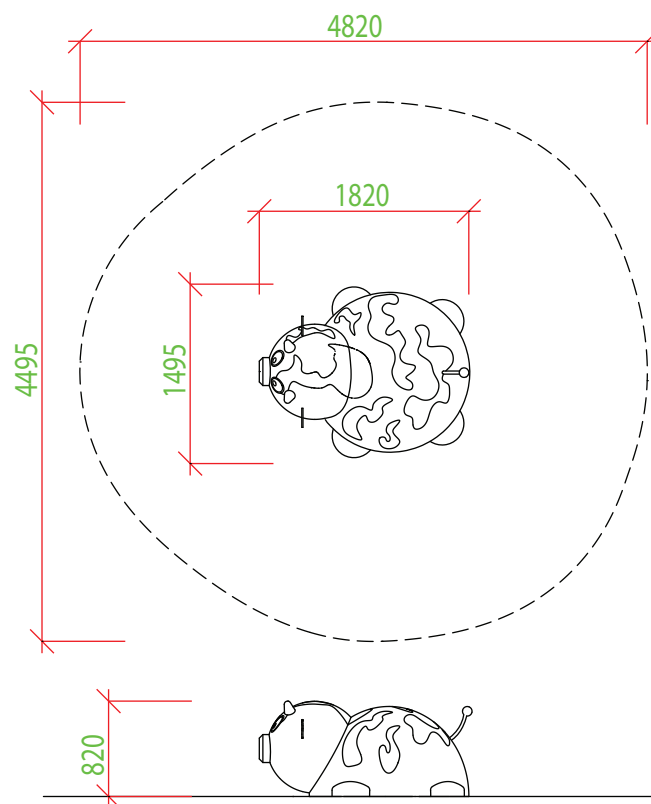
the product is installed onto a concrete foundation

## PACKAGING

wrapped in plastic and delivered on a pallet 1650 x 2100mm

## STORAGE

in original packaging on a pallet  
in temperatures between - 40° C and 50° C



Our products are handmade, please allow dimensional tolerance up to 40 mm

<b>140 kg</b> weight	<b>820 mm</b> critical fall height	<b>1 hr</b> assembly time	<b>2 - 10 yrs</b> users' age	<b>5</b> max. number of users	<b>1495 x 1820 x 820 mm</b> dimensions
-------------------------	---------------------------------------	------------------------------	---------------------------------	----------------------------------	-------------------------------------------

## 3D PROGRAM, s.r.o.

Objízdná 1911  
Otrokovice 765 02  
Czech Republic



MADE IN EU

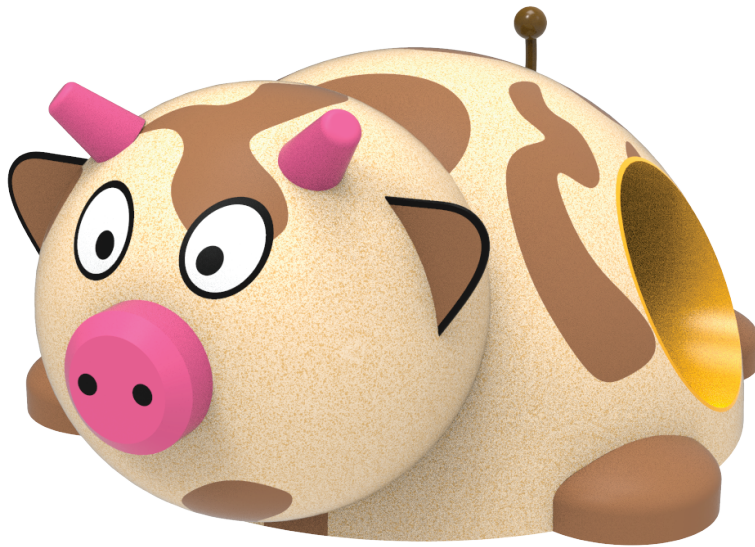
www.3dprogram.eu  
info@3dprogram.eu  
+420 602 500 045 +420 577 700 718



product line **CLASSIC**

# COW

with tube



## PRODUCT COMPOSITION

SBR+EPDM rubber granules, aliphatic PU binder, vandal-resistant fiberglass shell, metal parts

## COLOR COMBINATION

standard: brown / beige - eggshell / pink  
(other combination on request)

## COLOR STABILITY

UV stable

Product is offered either with PVC or stainless steel tube Ø460mm.

## RECOMMENDED SAFETY SURFACE

safety rubber surface in the area of 1500mm around the product (according to EN1177)

## PRODUCT SAFETY

certified according to EN1176  
complies with ASTM F1487 and CAN/CSA Z614

## INSTALLATION

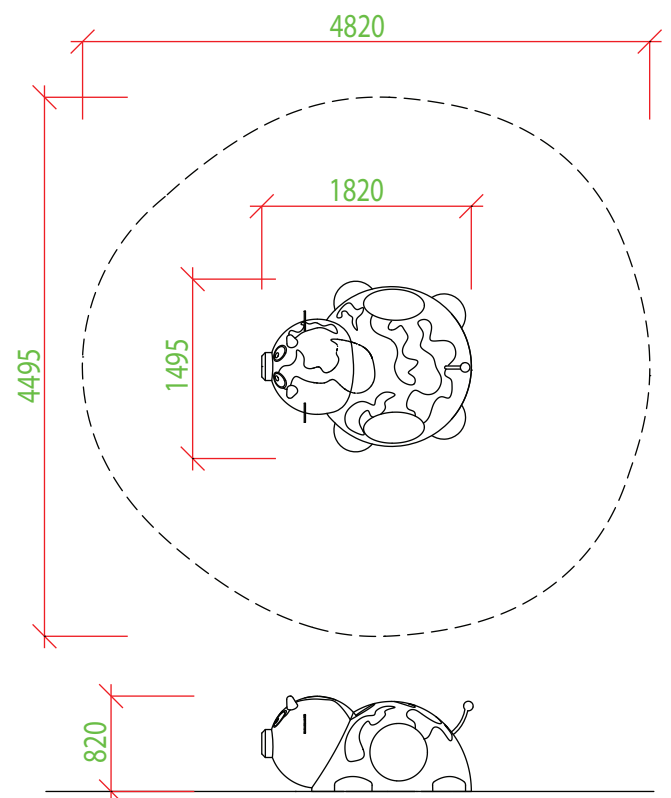
the product is installed onto a concrete foundation

## PACKAGING

wrapped in plastic and delivered on a pallet 1650 x 2100mm

## STORAGE

in original packaging on a pallet  
in temperatures between - 40° C and 50° C



Our products are handmade, please allow dimensional tolerance up to 40 mm

<b>150 kg</b> weight	<b>820 mm</b> critical fall height	<b>1 hr</b> assembly time	<b>2 - 10 yrs</b> users' age	<b>5</b> max. number of users	<b>1495 x 1820 x 820 mm</b> dimensions
-------------------------	---------------------------------------	------------------------------	---------------------------------	----------------------------------	-------------------------------------------

## 3D PROGRAM, s.r.o.

Objízdná 1911  
Otrokovice 765 02  
Czech Republic



MADE IN EU

www.3dprogram.eu  
info@3dprogram.eu  
+420 602 500 045 +420 577 700 718

