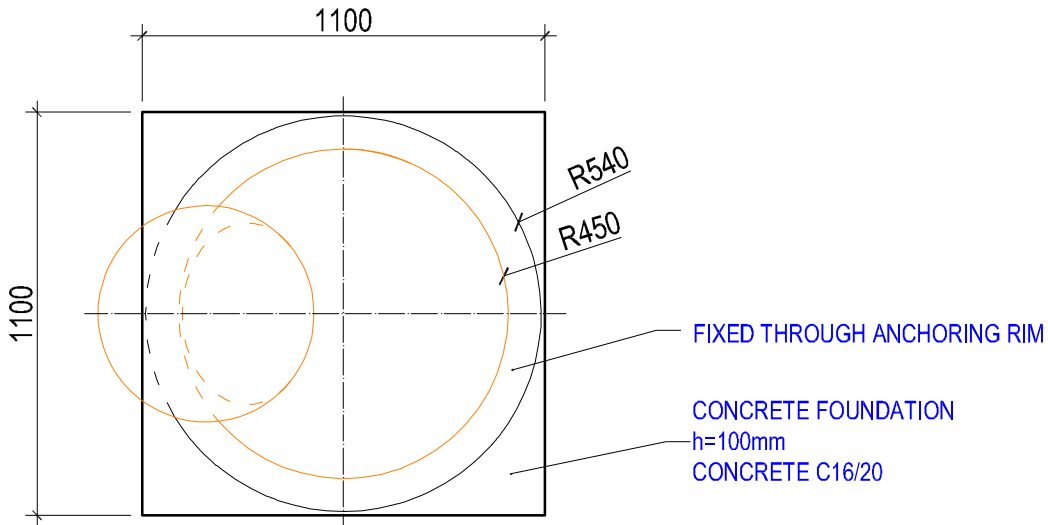
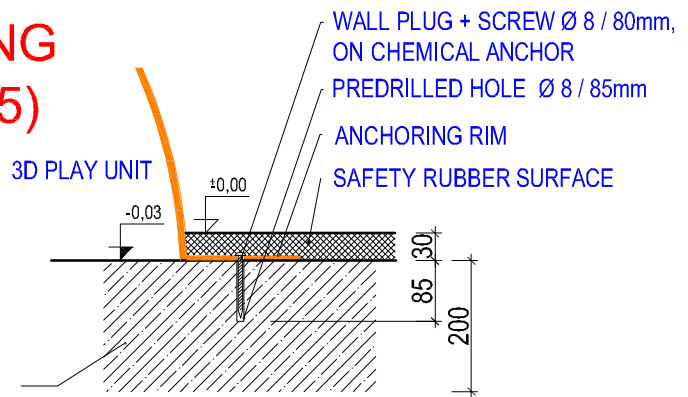


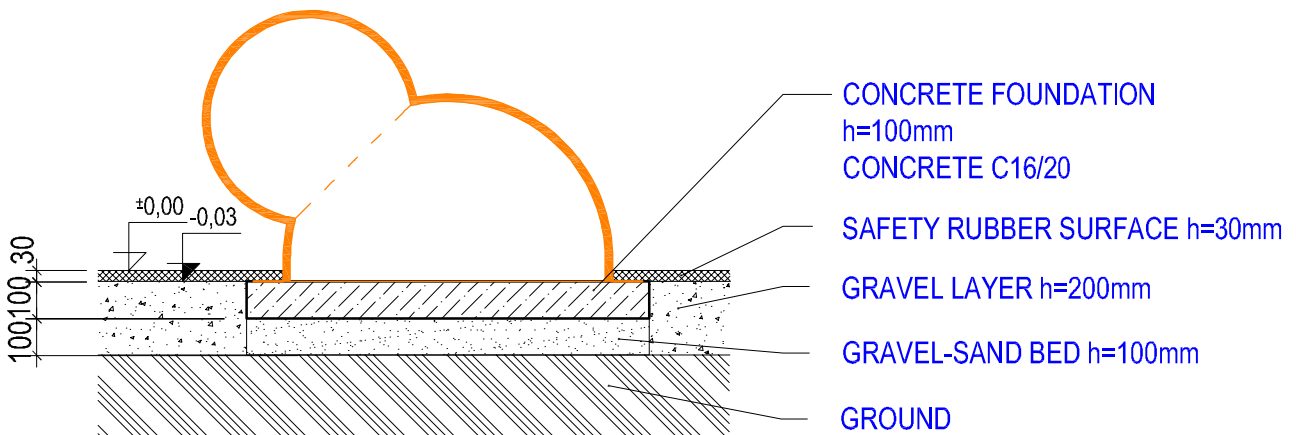
GROUND PLAN (1:20)



ANCHORING DETAIL (1:5)



SECTION (1:20)



Author:

MgA. Maxmilián Blšták

3D PROGRAM, s.r.o.

Objízdná 1911
765 02 Otrokovice

Tel: 602 500 045
Email: info@3dprogram.eu



TECHNICAL DRAWING

Certified according to EN71 , EN1176

M11 - MINI LADYBIRD
M13 - SNAIL

Date of issue 22.2.2021

1:20, 1:10

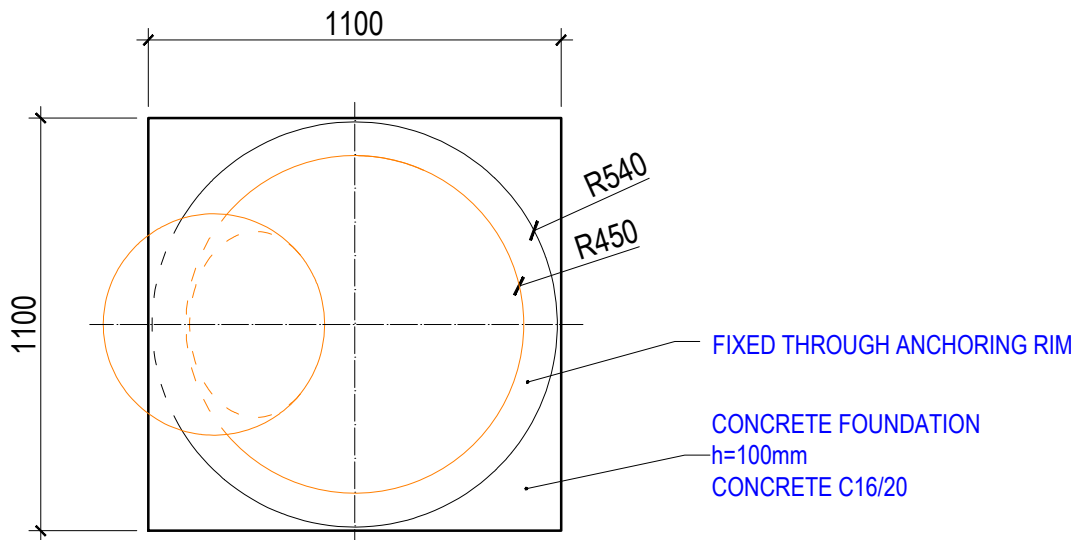
format 1xA4

Foundation and anchoring - ground plan and section

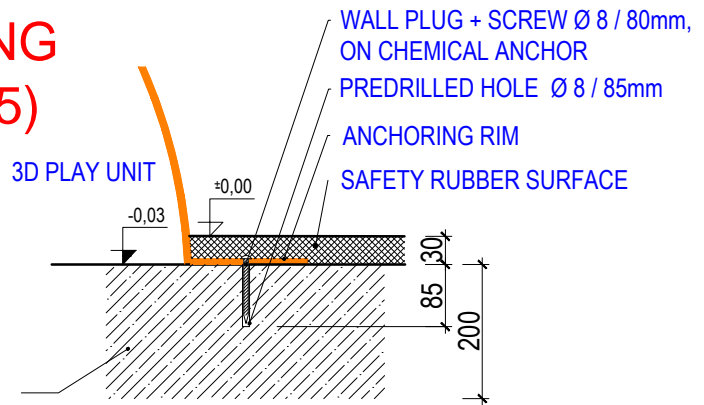
M11_EN.dwg

revision 0

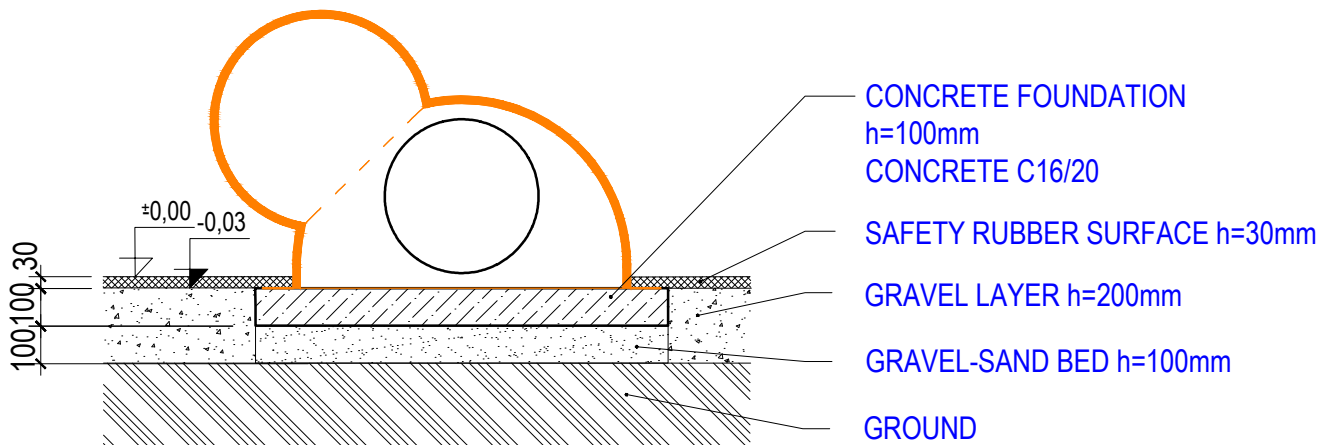
GROUND PLAN (1:20)



ANCHORING DETAIL (1:5)



SECTION (1:20)



Author:

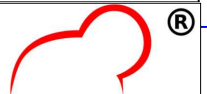
MgA. Maxmilián Blíšák

3D PROGRAM, s.r.o.

Objízdná 1911
765 02 Otrokovice

Tel: 602 500 045

Email: info@3dprogram.eu



3D PROGRAM

TECHNICAL DRAWING

Certified according to

EN71 , EN1176

Date of issue

22.2.2021

1:20, 1:10

format 1xA4

M11 - MINI LADYBIRD
M13 - SNAIL
M13t - SNAIL WITH TUBE

Foundation and anchoring - ground plan and section

M11_EN.dwg

revision 0