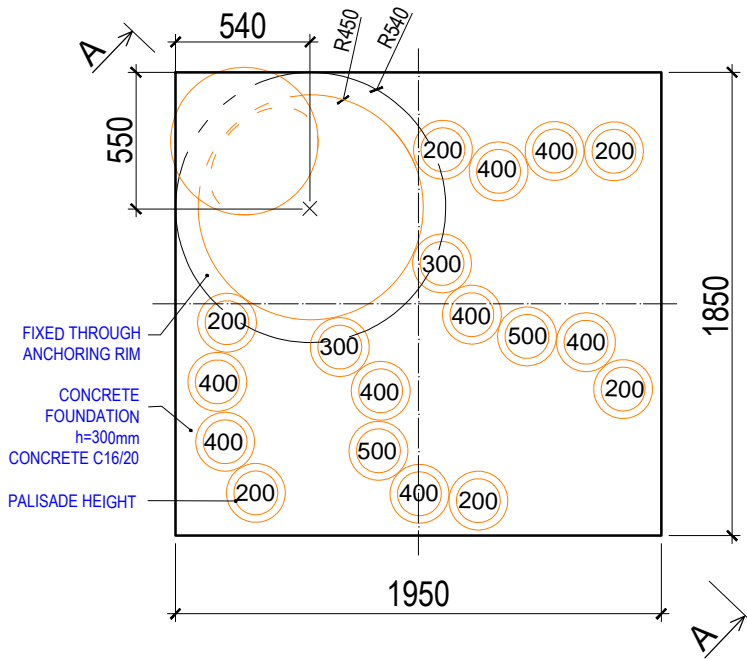
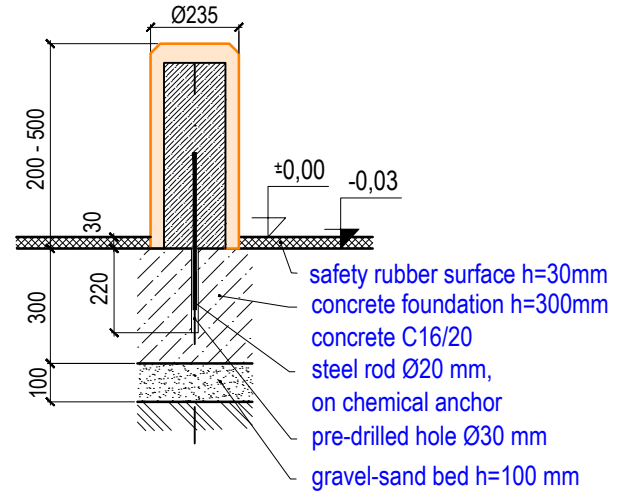


GROUND PLAN (1:30)

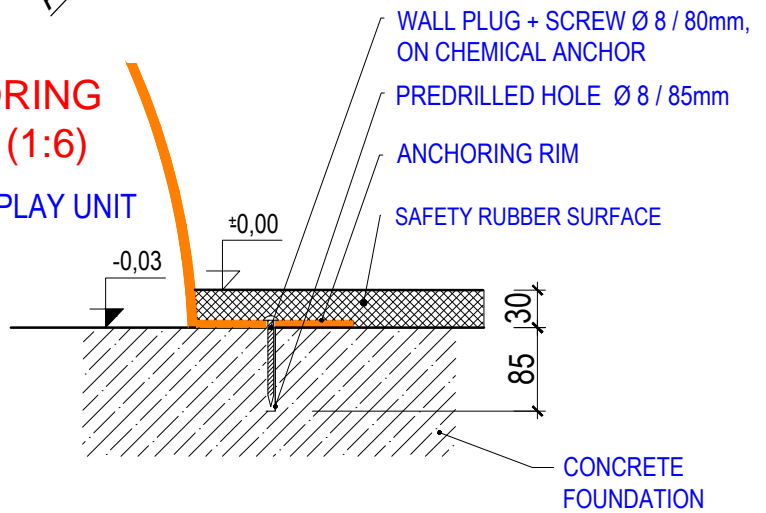


PALISADE ANCHORING (1:15)

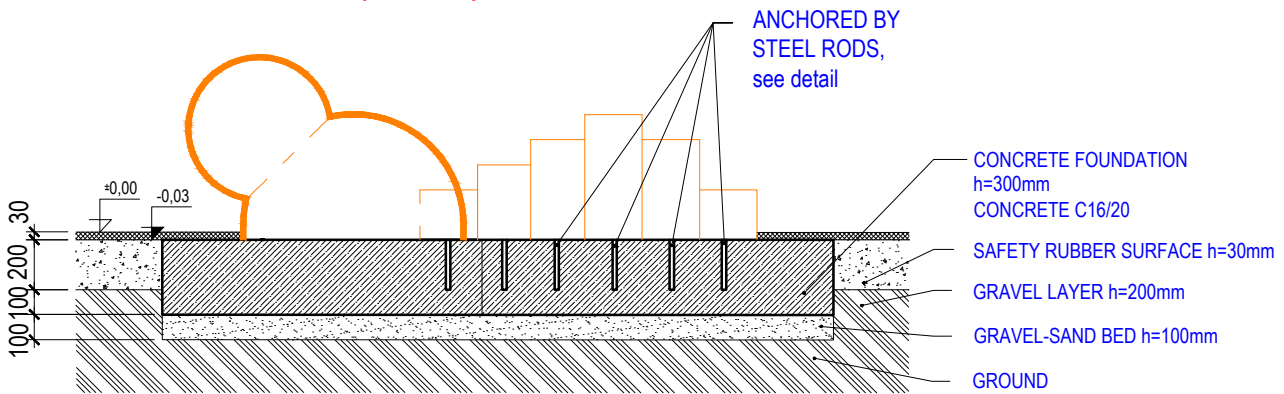



ANCHORING DETAIL (1:6)

3D PLAY UNIT



SECTION A-A (1:30)



Author:		3D PROGRAM, s.r.o.	
MgA. Maxmilián Blíšák		Objízdná 1911 765 02 Otrokovice, Czech Republic	
		Tel: 602 500 045 Email: info@3dprogram.eu	
TECHNICAL DRAWING		Certified according to	EN71 , EN1176
		Date of issue	22.2.2021
M12 - MINI OCTOPUS		M 1:30, 1:15, 1:6	format 1xA4
Foundation and anchoring - ground plan and section		M12_EN.dwg	revision 0