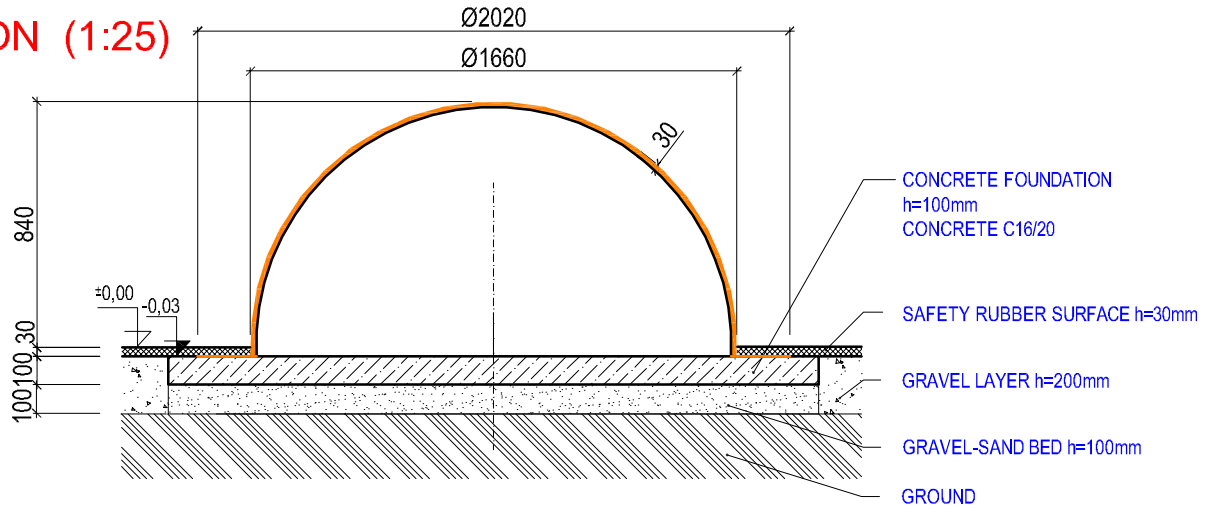
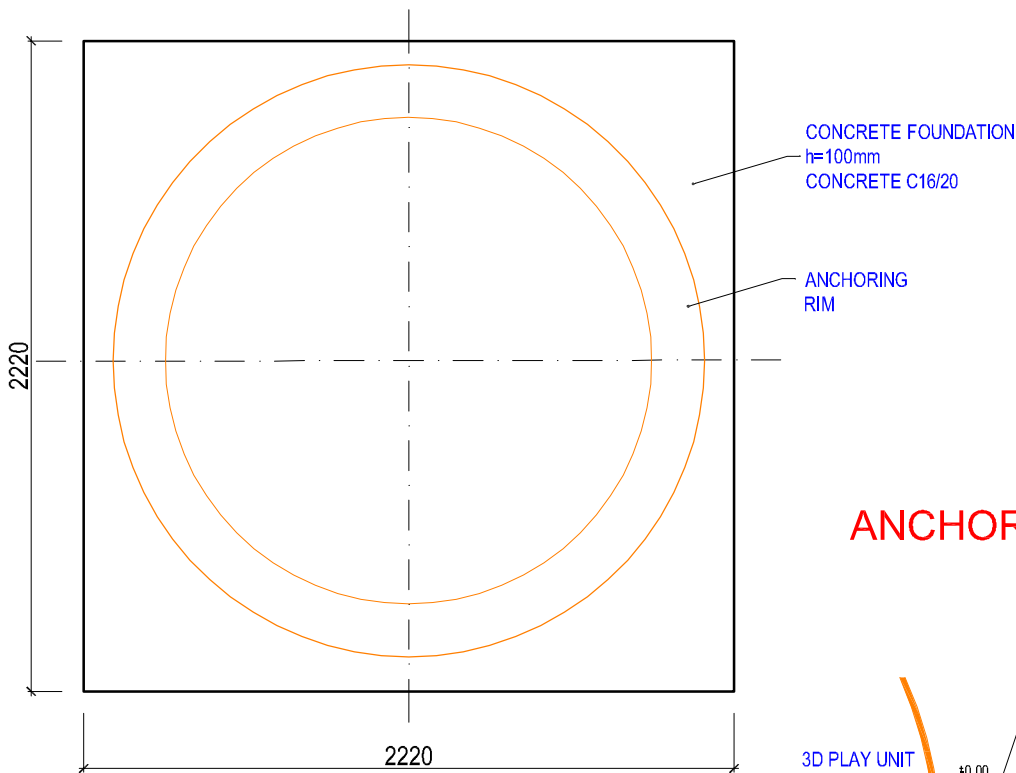


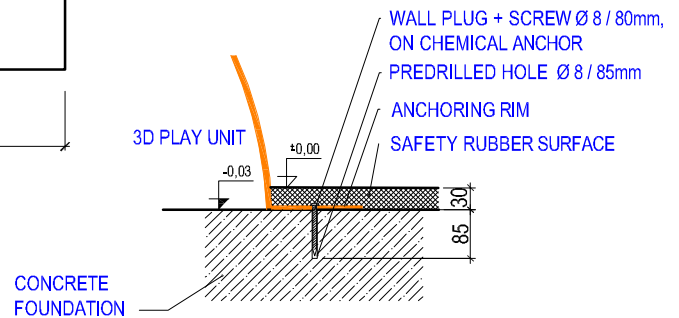
## SECTION (1:25)




## FOUNDATION GROUND PLAN (1:25)



## ANCHORING DETAIL (1:10)



Author:		3D PROGRAM, s.r.o. Objízdná 1911 765 02 Otrokovice, Czech Republic	
MgA. Maxmilián Blšták		Tel: +420 602 500 045 Email: info@3dprogram.eu	
<h1>TECHNICAL DRAWING</h1>		Certified according to	EN71 , EN1176
		Date of issue	22.2.2021
E07 - HILL XL		M 1:25, 1:10	format 1xA4
Foundation and anchoring - ground plan and section		E07_EN.dwg	revision 0