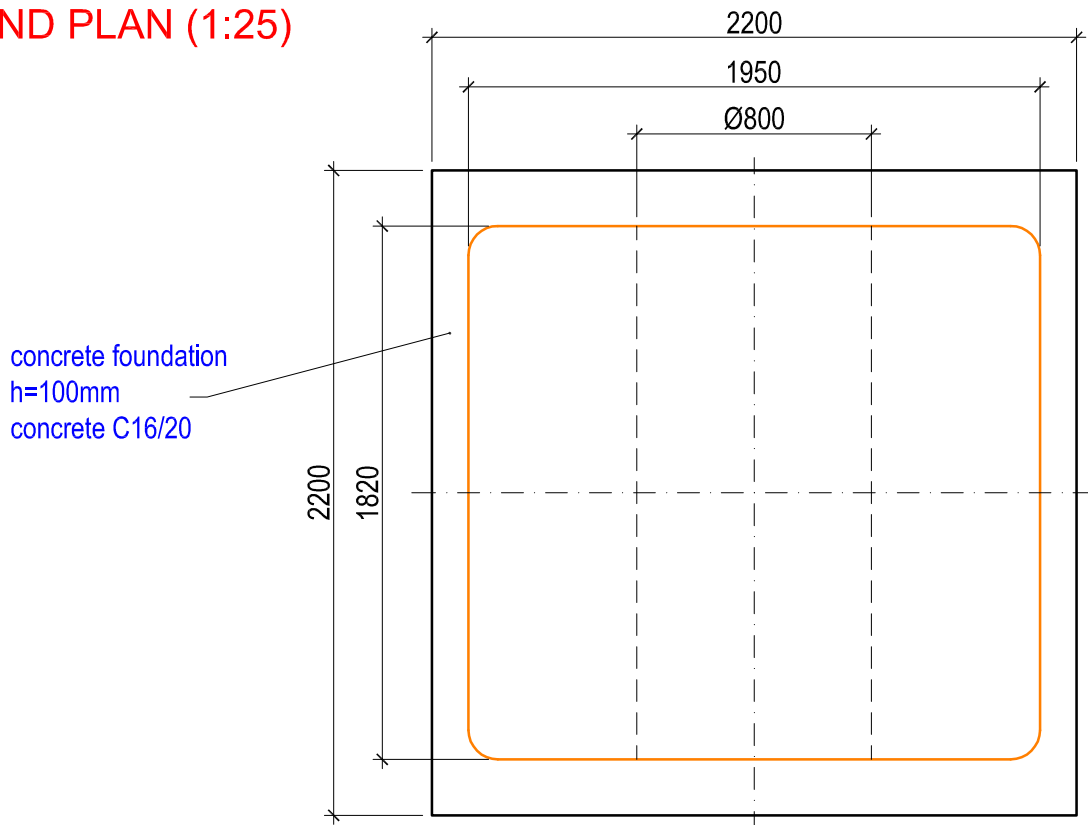
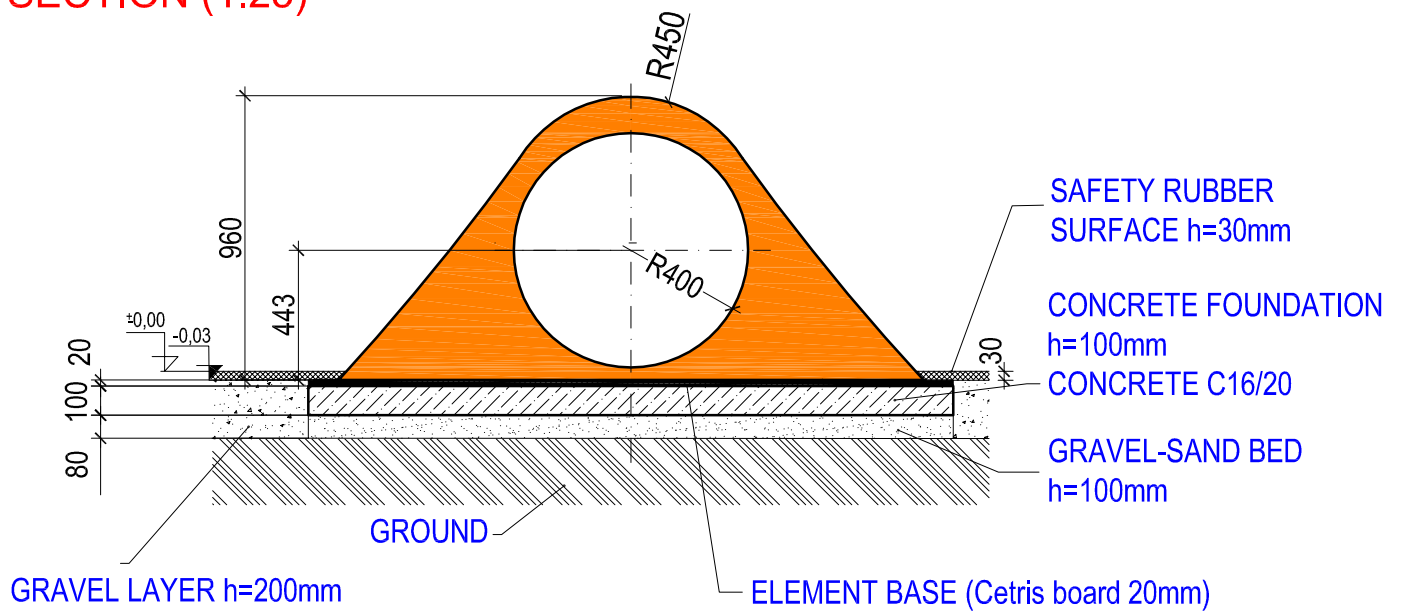



## GROUND PLAN (1:25)



## SECTION (1:25)



Author:		3D PROGRAM, s.r.o. Objíždná 1911 765 02 Otrokovice	
MgA. Maxmilián Blšták		Tel: 602 500 045 Email: Info@3dprogram.eu	
<b>TECHNICAL DRAWING</b>		Certified according to	EN71 , EN1176
		Date of issue	22.2.2021
E05 - FOX BURROW		M 1:25	format 1xA4
Foundation and anchoring - ground plan and section		E05_EN.dwg	revision 0