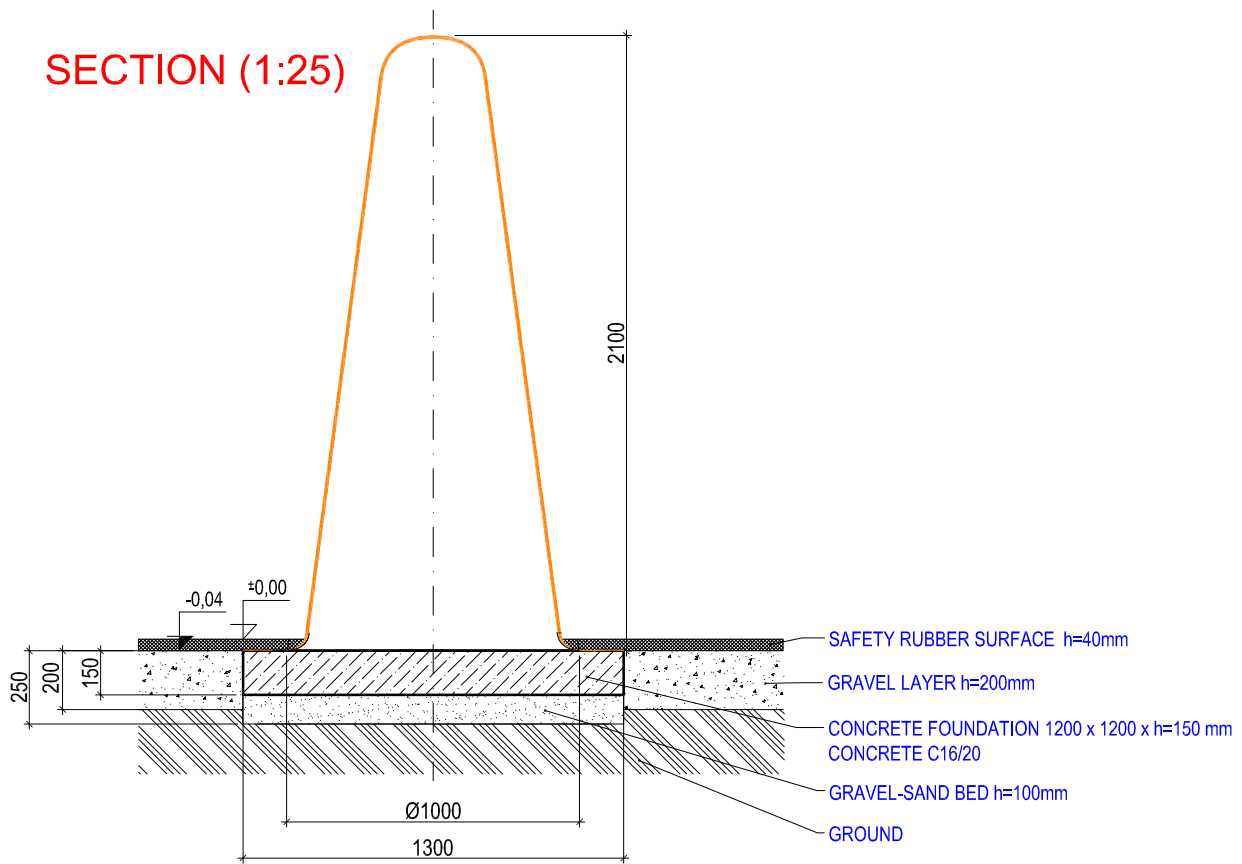
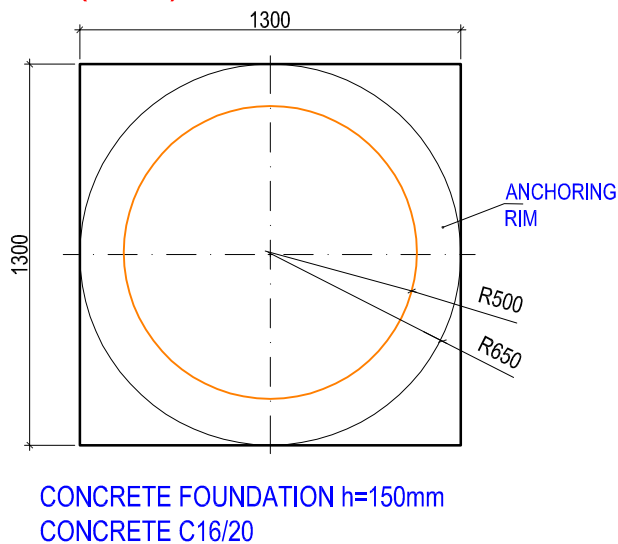


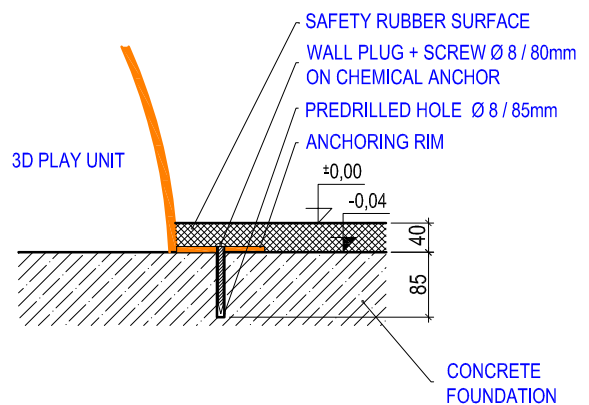
## SECTION (1:25)



## GROUND PLAN (1:25)



## ANCHORING DETAIL (1:10)



Author:

MgA. Maxmilián Blšták

3D PROGRAM, s.r.o.

Objizdná 1911  
765 02 Otrokovice, Czech Republic

Tel: +420 602 500 045  
Email: Info@3dprogram.eu



# TECHNICAL DRAWING

Certified according to EN71 , EN1176

Date of issue 22.2.2021

E03 - LIGHTHOUSE

M 1:25, 1:10

format 1xA4

Foundation and anchoring - ground plan and section

E01-03\_EN.dwg

revision 0