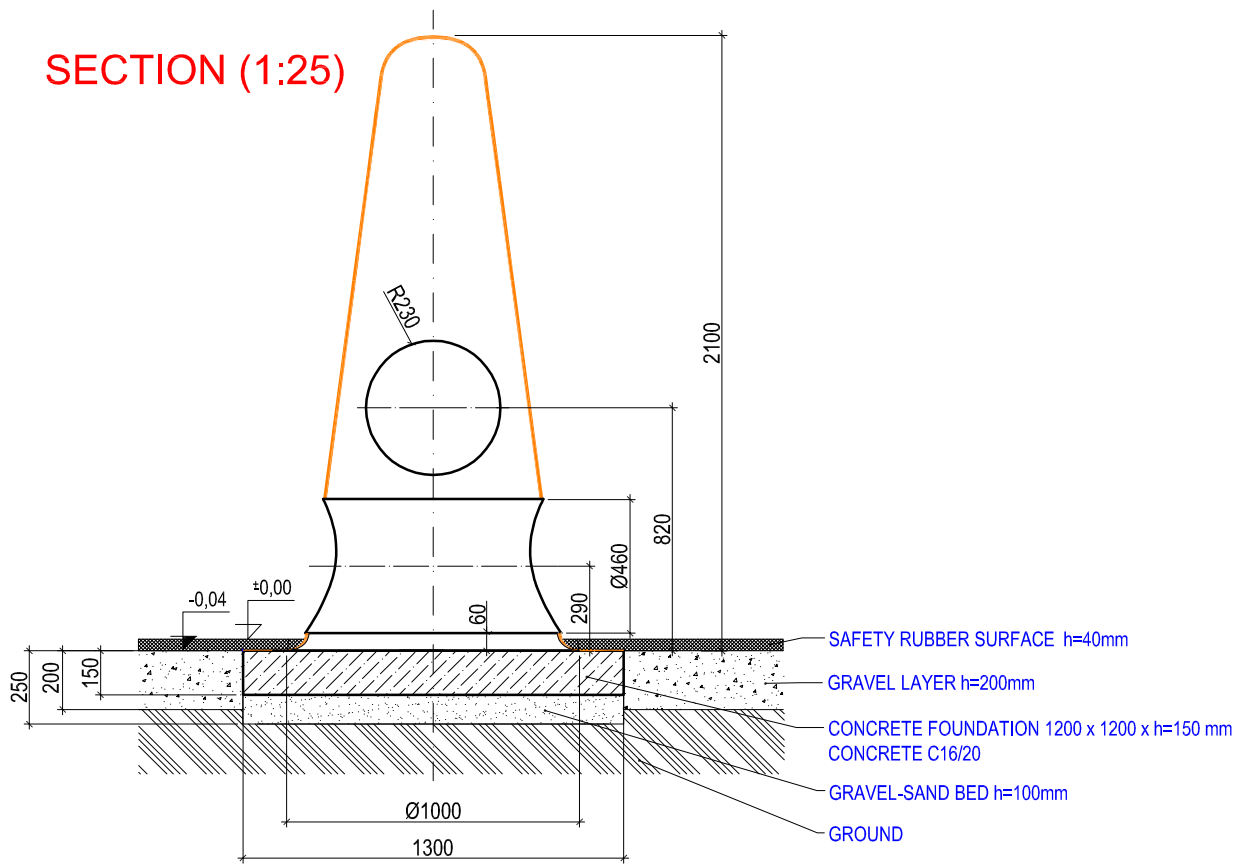
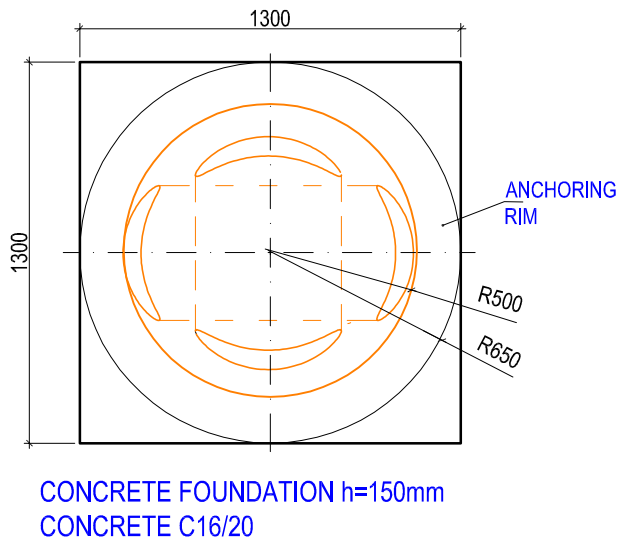


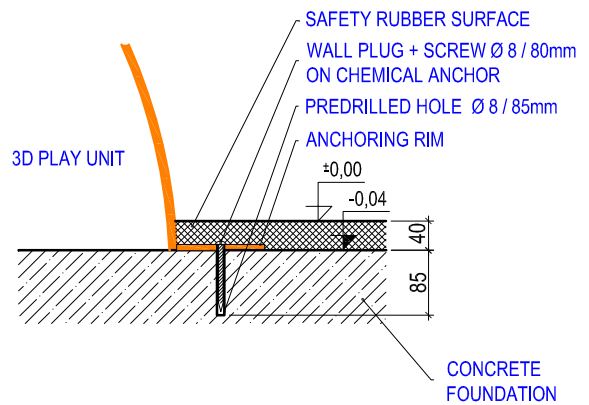
SECTION (1:25)




GROUND PLAN (1:25)



ANCHORING DETAIL (1:10)



Author:		3D PROGRAM, s.r.o. Objizdná 1911 765 02 Otrokovice, Czech Republic	
MgA. Maxmilián Blšták		Tel: +420 602 500 045 Email: Info@3dprogram.eu	
TECHNICAL DRAWING		Certified according to	EN71 , EN1176
		Date of issue	22.2.2021
E02p, E02s - LIGHTHOUSE		M 1:25, 1:10	format 1xA4
Foundation and anchoring - ground plan and section		E01-03_EN.dwg	revision 0