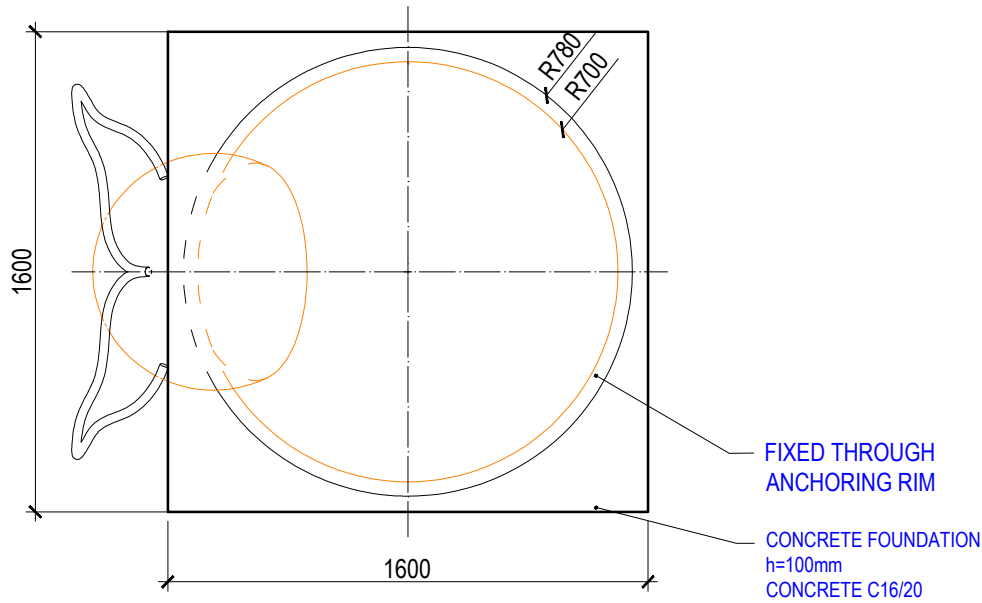
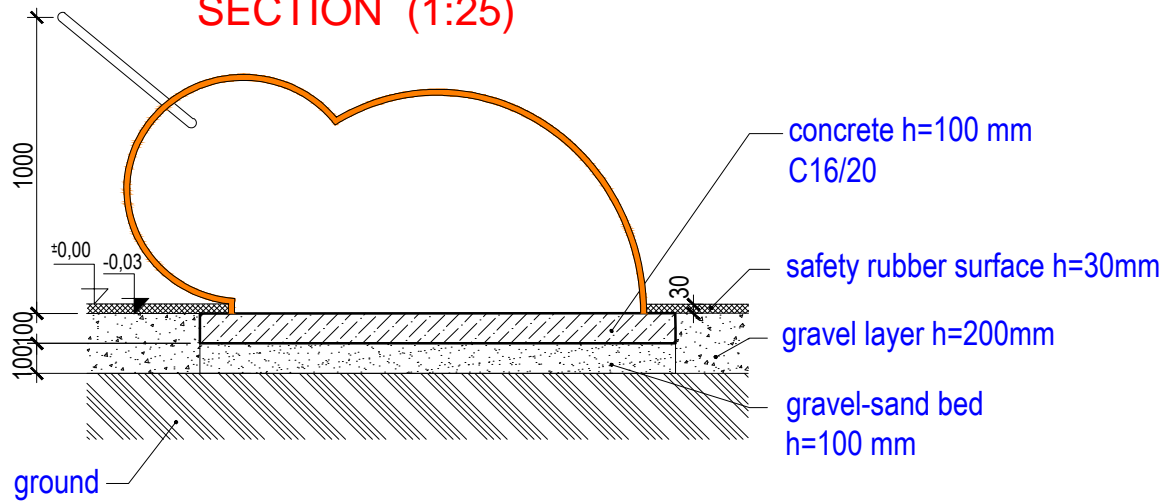


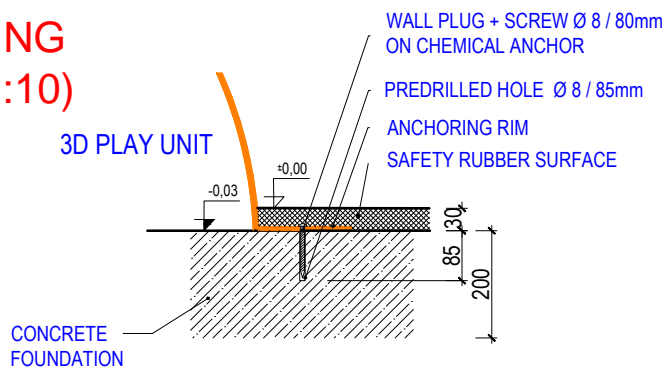
GROUND PLAN (1:25)




SECTION (1:25)

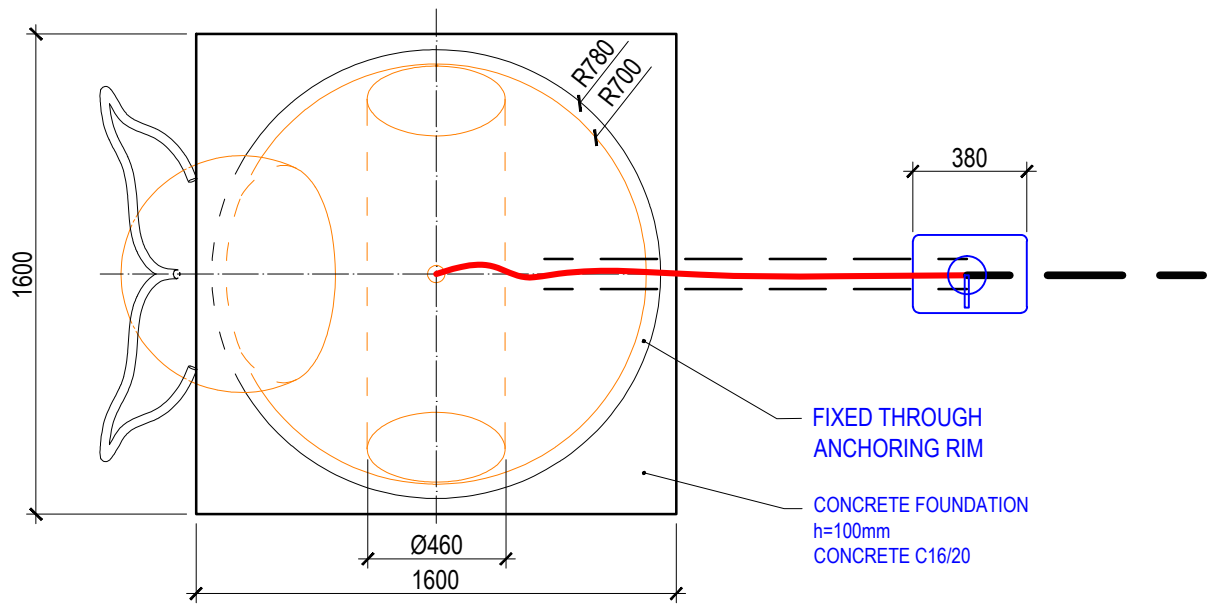


ANCHORING DETAIL (1:10)

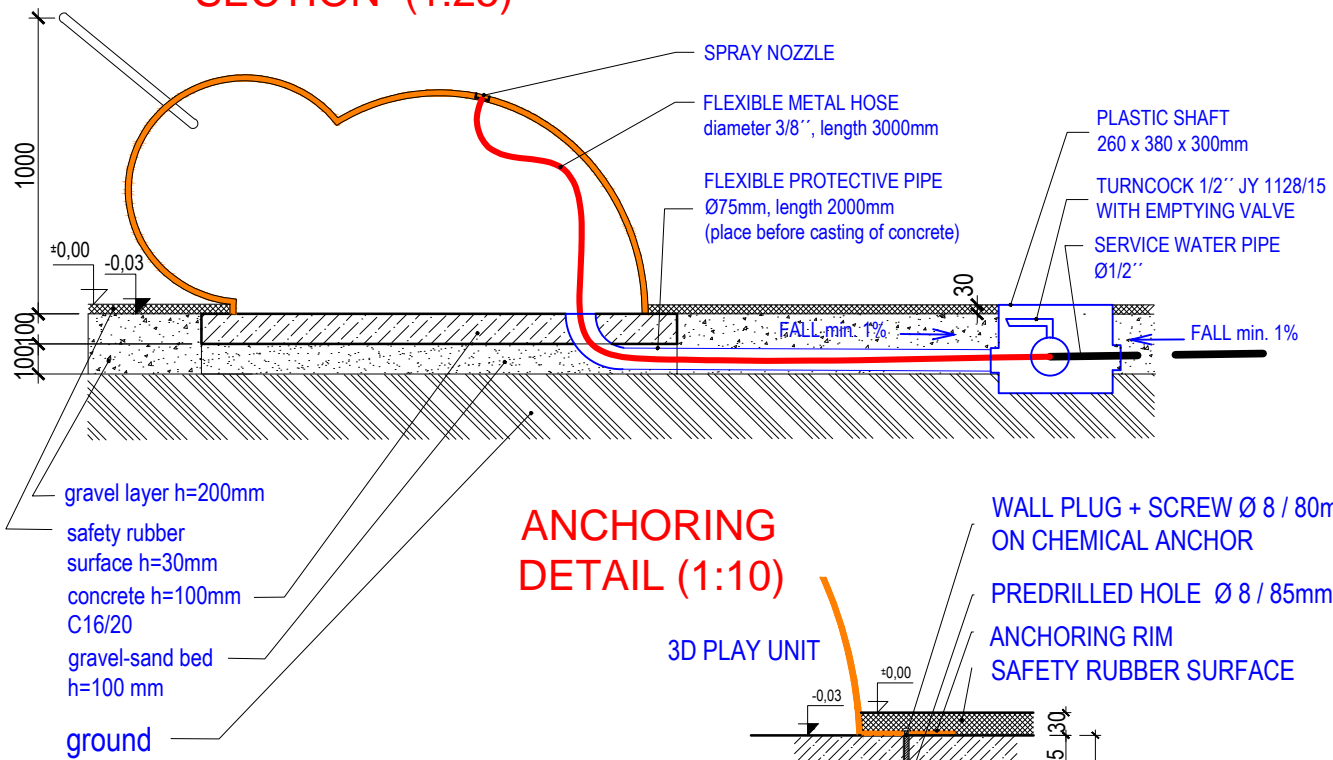


Author:		3D PROGRAM, s.r.o.	 3D PROGRAM
MgA. Maxmilián Blíšák		Objízdná 1911 765 02 Otrokovice	
		Tel: 602 500 045 Email: info@3dprogram.eu	
TECHNICAL DRAWING		Certified according to	EN71 , EN1176
		Date of issue	22.2.2021
C25 - WHALE		M 1:25, 1:10	format 1xA4
Foundation and anchoring - ground plan and section		C25_EN.dwg	revision 0

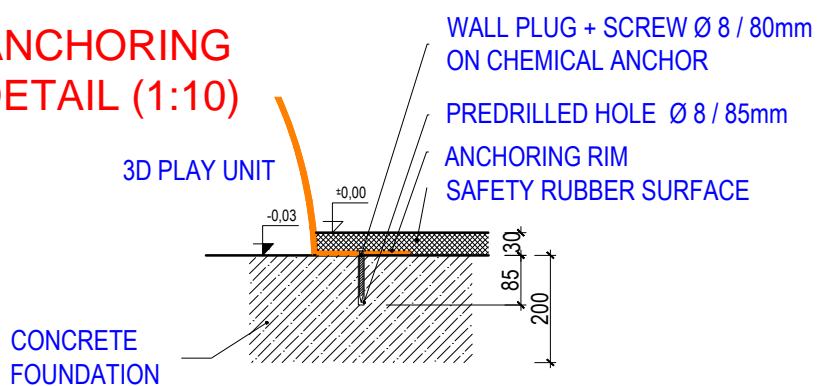
GROUND PLAN (1:25)




SECTION (1:25)



ANCHORING DETAIL (1:10)



Author:		3D PROGRAM, s.r.o.	
MgA. Maxmilián Blíšák		Objízdná 1911 765 02 Otrokovice	
		Tel: 602 500 045 Email: info@3dprogram.eu	
TECHNICAL DRAWING		Certified according to	EN71 , EN1176
		Date of issue	22.2.2021
C25w, C25tp, C25ts, C25wtp, C25wts - WHALE WITH SPRAY NOZZLE		M 1:25, 1:10	format 1xA4
Foundation and anchoring - ground plan and section		C25_EN.dwg	revision 0