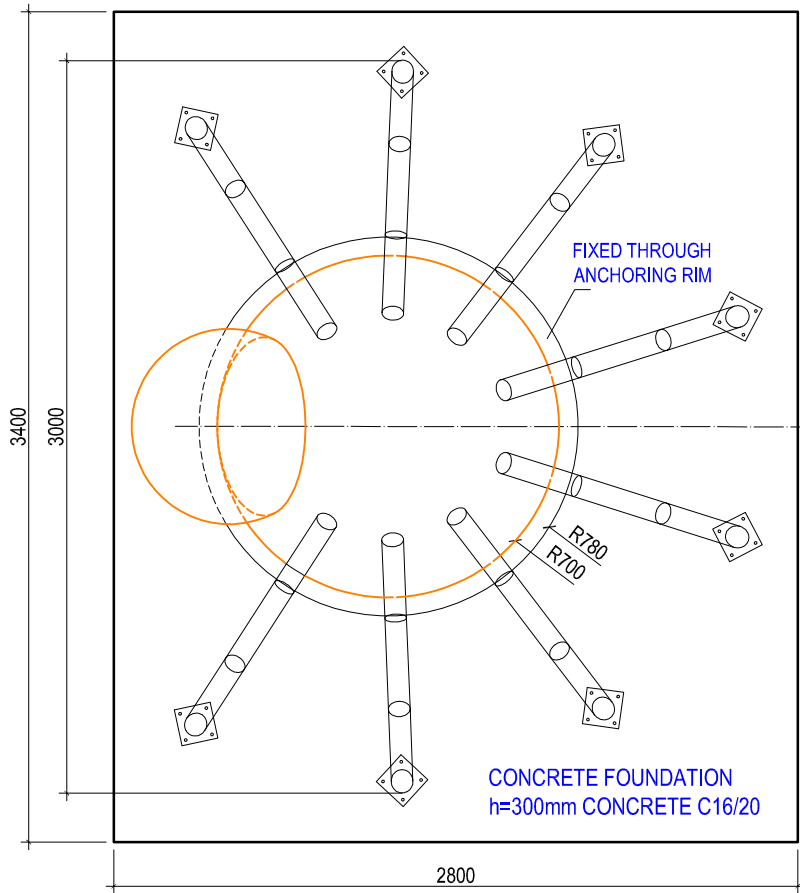
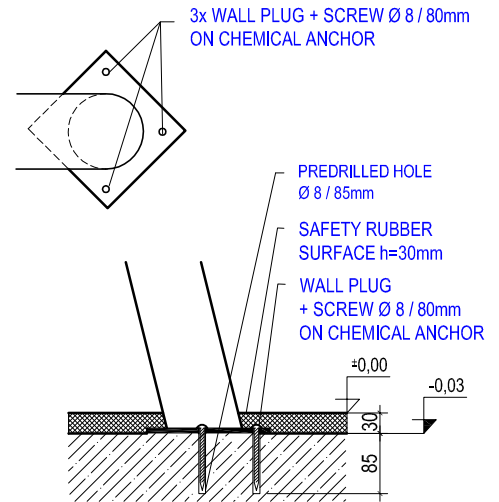


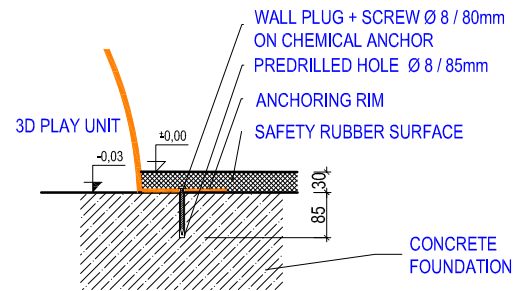
GROUND PLAN (1:25)



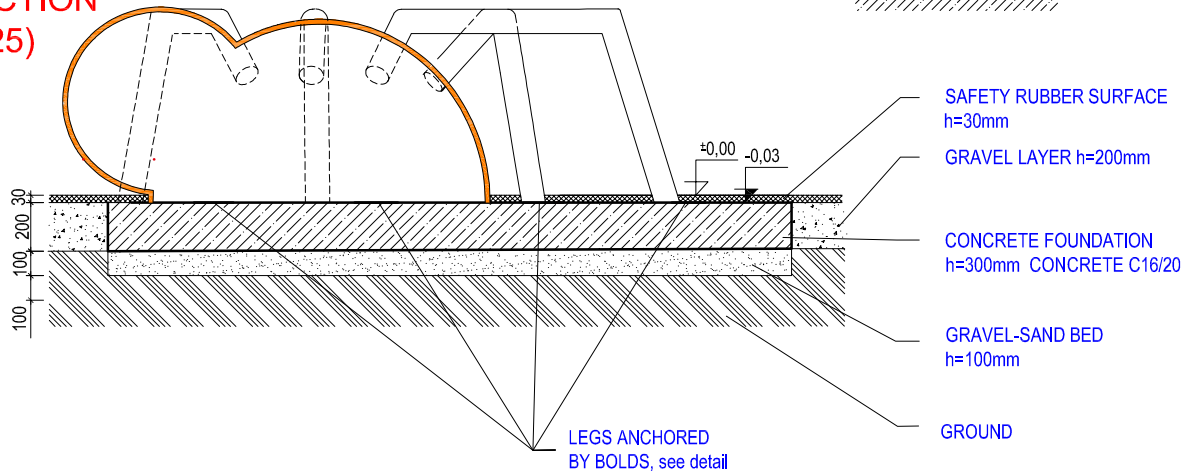
"LEG" ANCHORING DETAIL (1:10)



ANCHORING DETAIL (1:10)



SECTION (1:25)



Author:
MgA. Maxmilián Blšták

3D PROGRAM, s.r.o.
Objízdná 1911
765 02 Otrokovice
Tel: 602 500 045
Email: Info@3dprogram.eu



TECHNICAL DRAWING

Certified according to EN71 , EN1176

Date of issue 22.2.2021

C17 - SPIDER

M 1:30, 1:10

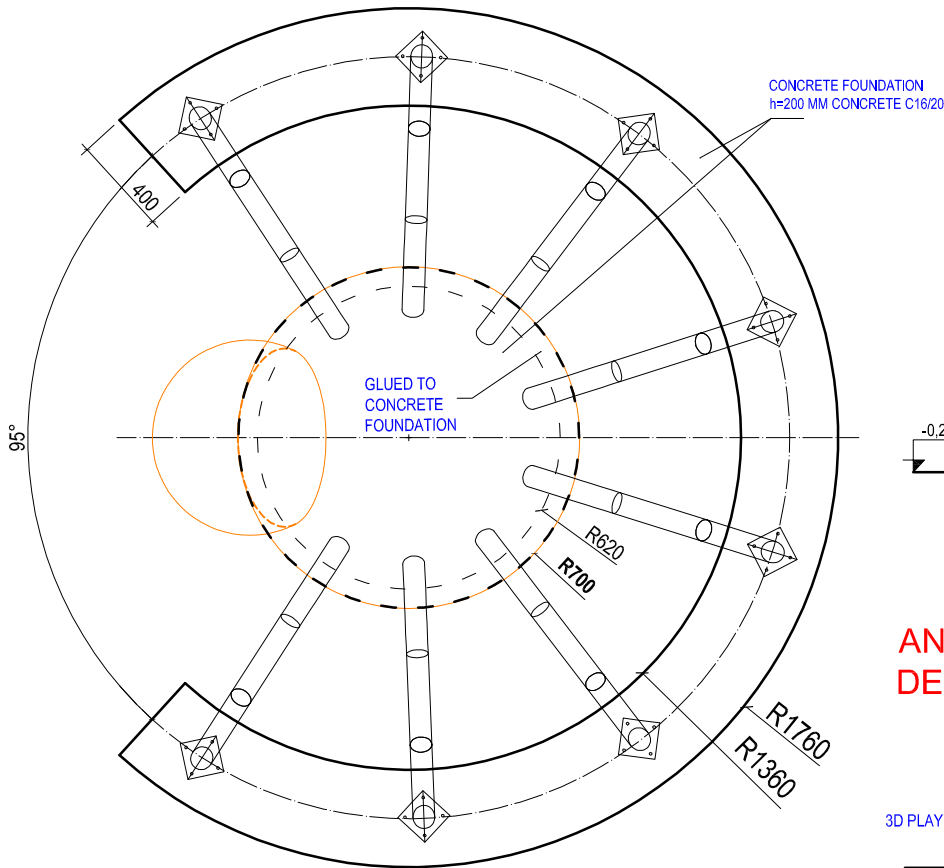
format 1xA4

Foundation and anchoring - ground plan and section

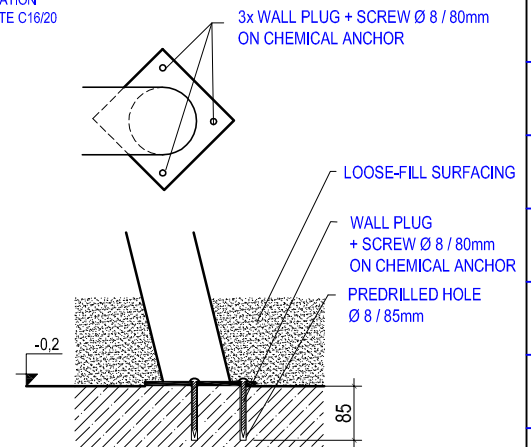
C17_EN.dwg

revision 0

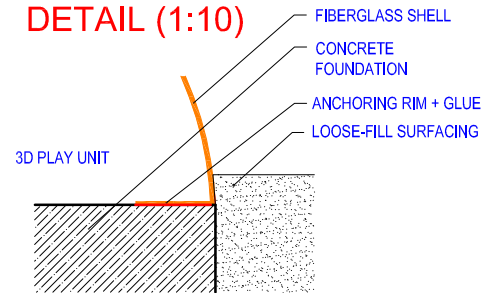
GROUND PLAN (1:25)



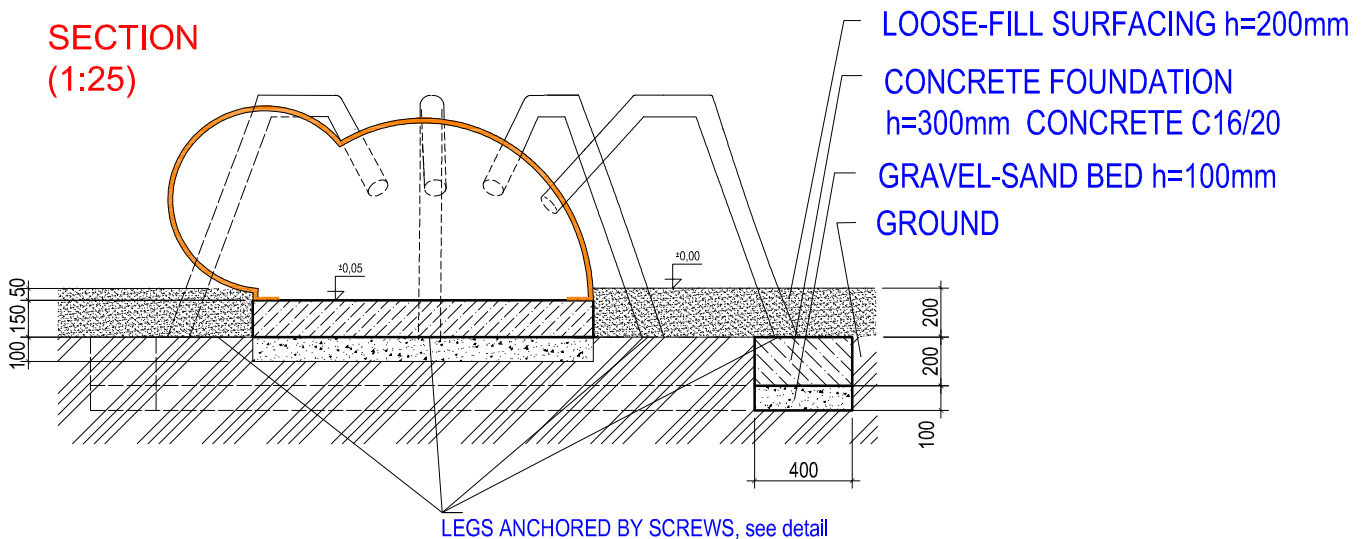
"LEG" ANCHORING DETAIL (1:10)




ANCHORING DETAIL (1:10)



SECTION (1:25)



Author:		3D PROGRAM, s.r.o.	
MgA. Maxmilián Blšták		Objizdná 1911 765 02 Otrokovice Tel: 602 500 045 Email: Info@3dprogram.eu	
<h1>TECHNICAL DRAWING</h1>		Certified according to	EN71 , EN1176
		Date of issue	22.2.2021
C17 - SPIDER - SAND		M 1:30, 1:10	format 1xA4
Foundation and anchoring - ground plan and section		C17_EN.dwg	revision 0