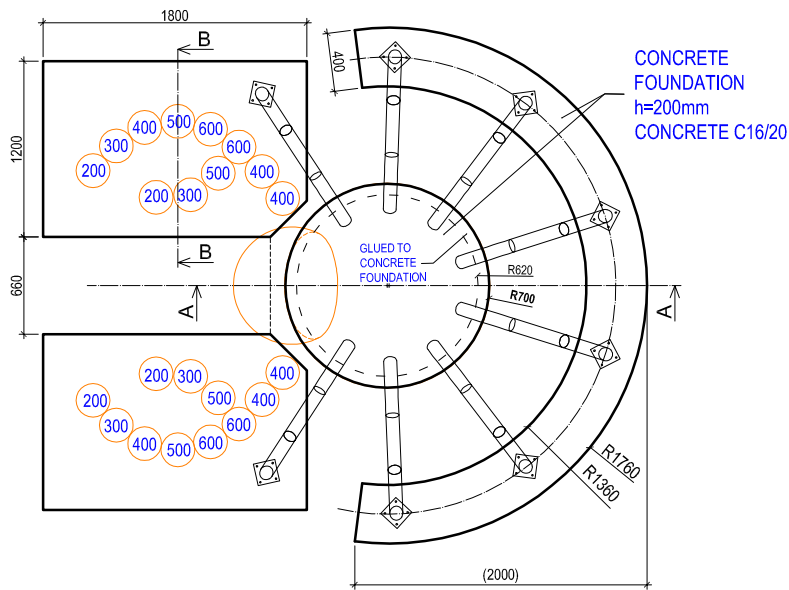
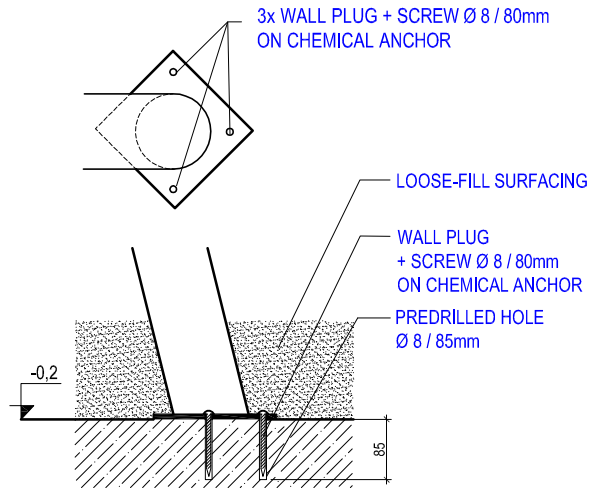


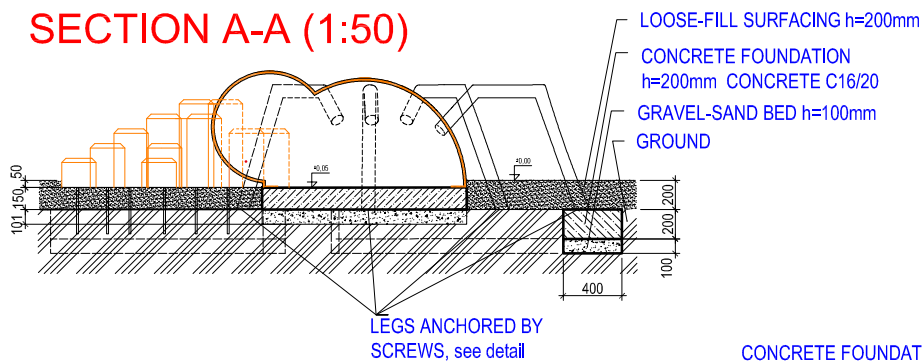
GROUND PLAN (1:50)



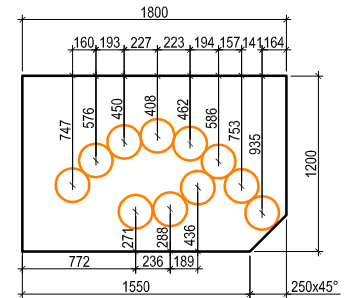
"LEG" ANCHORING DETAIL (1:10)



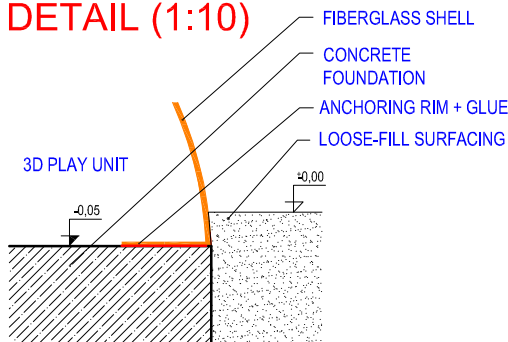
SECTION A-A (1:50)



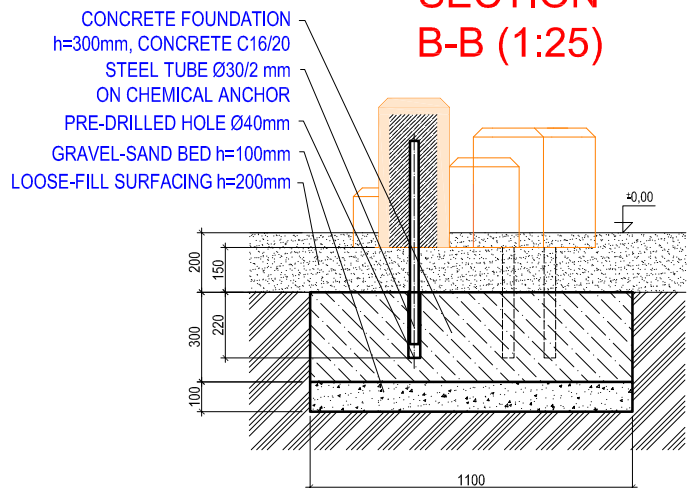
PALISADE ANCHORING POSITION (1:50)



ANCHORING DETAIL (1:10)



SECTION B-B (1:25)



Author:
MgA. Maxmilián Blšťák

3D PROGRAM, s.r.o.
Objizdná 1911
765 02 Otrokovice
Tel: 602 500 045
Email: Info@3dprogram.eu



TECHNICAL DRAWING

Certified according to EN71 , EN1176

Date of issue 22.2.2021

C15 - CRAB - SAND

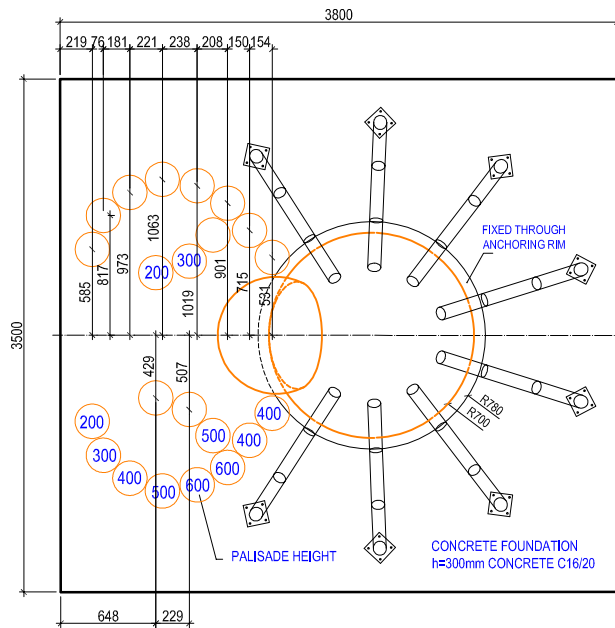
M 1:50, 1:25, 1:10 format 1xA4

Foundation and anchoring - ground plan and section

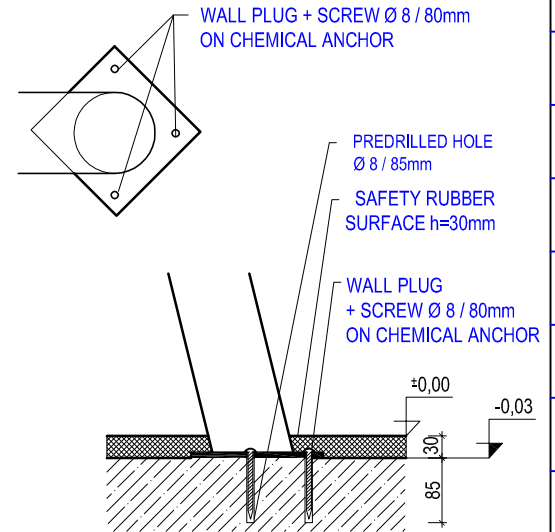
C15_EN.dwg

revision 0

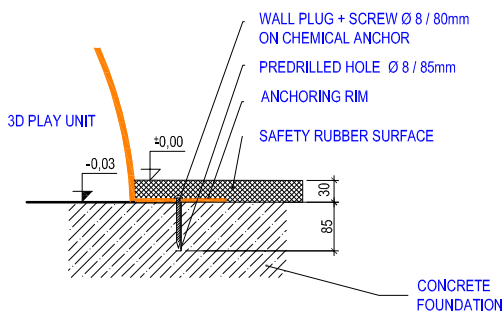
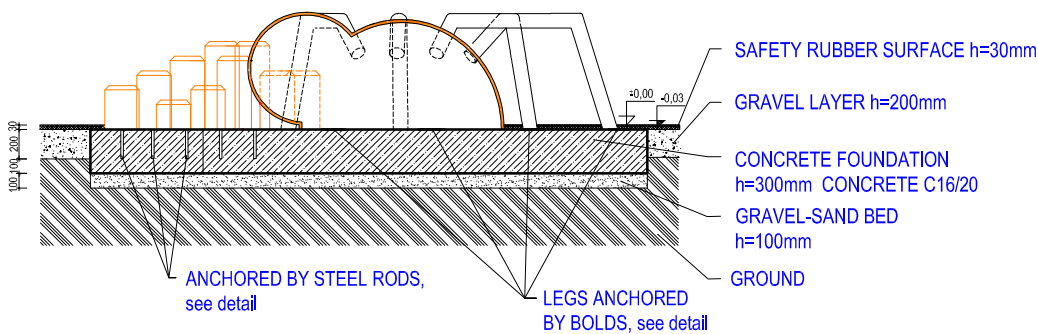
GROUND PLAN (1:50)



"Leg" anchoring detail (1:10)

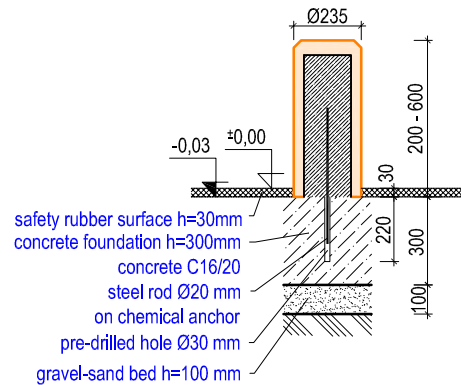



SECTION (1:50)



ANCHORING DETAIL (1:10)

PALISADE ANCHORING (1:25)



Author:		3D PROGRAM, s.r.o.	
MgA. Maxmilián Blšták		Objizdná 1911 765 02 Otrokovice Tel: 602 500 045 Email: Info@3dprogram.eu	
TECHNICAL DRAWING		Certified according to	EN71 , EN1176
		Date of issue	22.2.2021
C15 - CRAB		M 1:50, 1:25, 1:10	format 1xA4
Foundation and anchoring - ground plan and section		C15_EN.dwg	revision 0