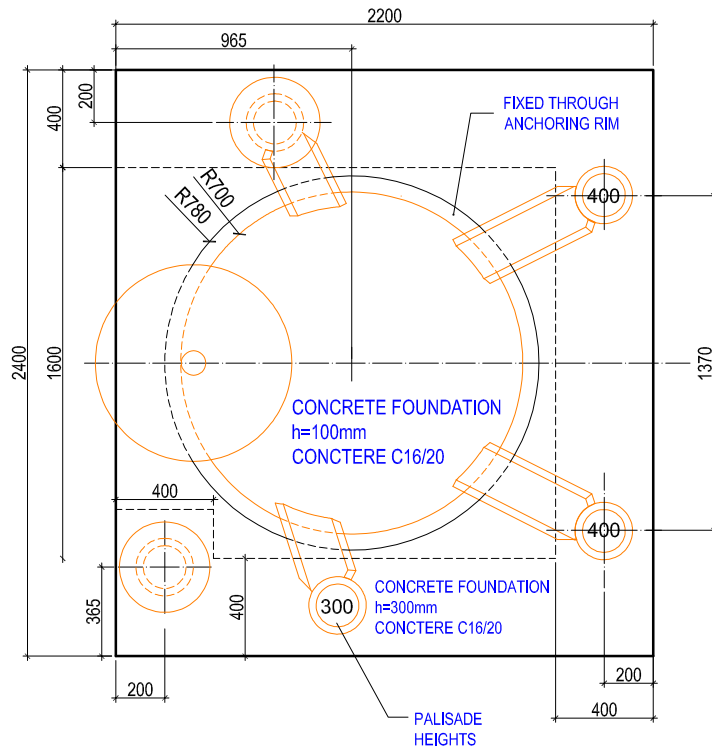
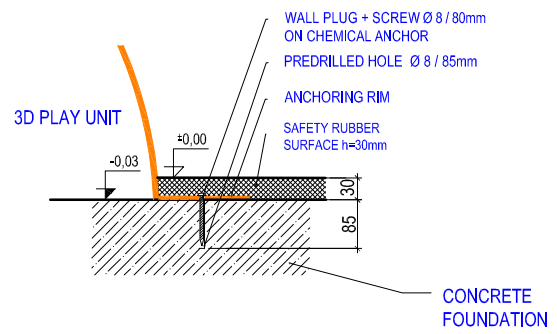


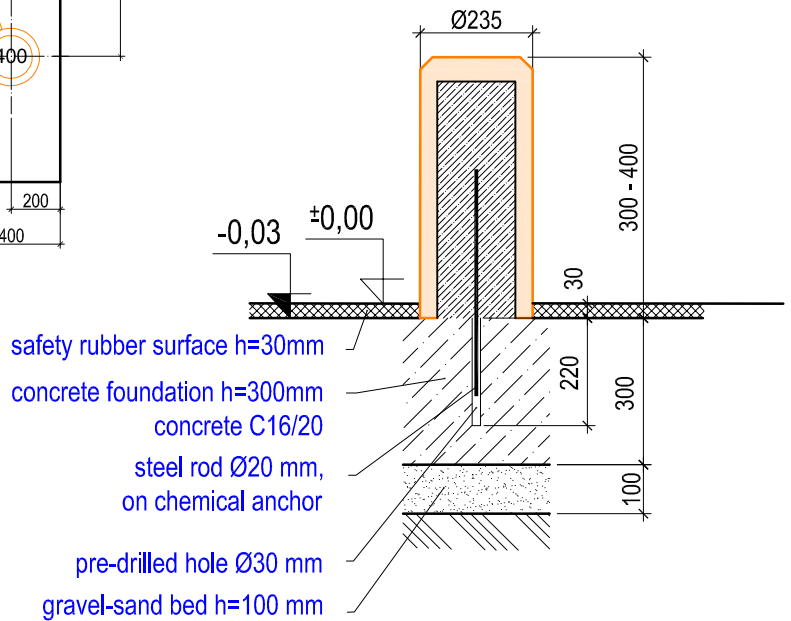
# GROUND PLAN (1:25)



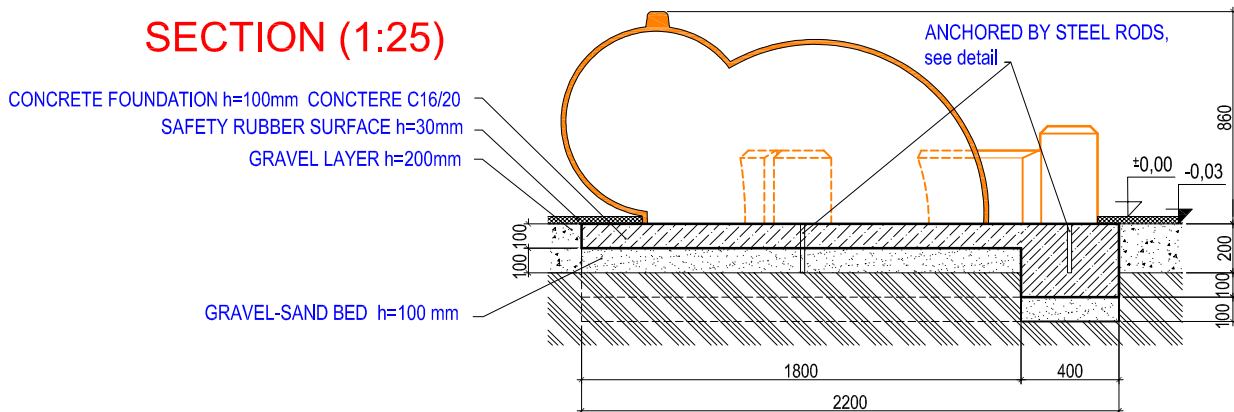
# ANCHORING DETAIL (1:10)




# ANCHORING OF MASHROOM AND PALISADE (1:10)



# SECTION (1:25)



Author:		3D PROGRAM, s.r.o.	
MgA. Maxmilián Blšťák		Objizdná 1911 765 02 Otrokovice Tel: 602 500 045 Email: Info@3dprogram.eu	
<b>TECHNICAL DRAWING</b>		Certified according to	EN71 , EN1176
		Date of issue	22.2.2021
C08 - SLEEPING FARMER		M 1:25, 1:10	format 1xA4
Foundation and anchoring - ground plan and section		C08_EN.dwg	revision 0