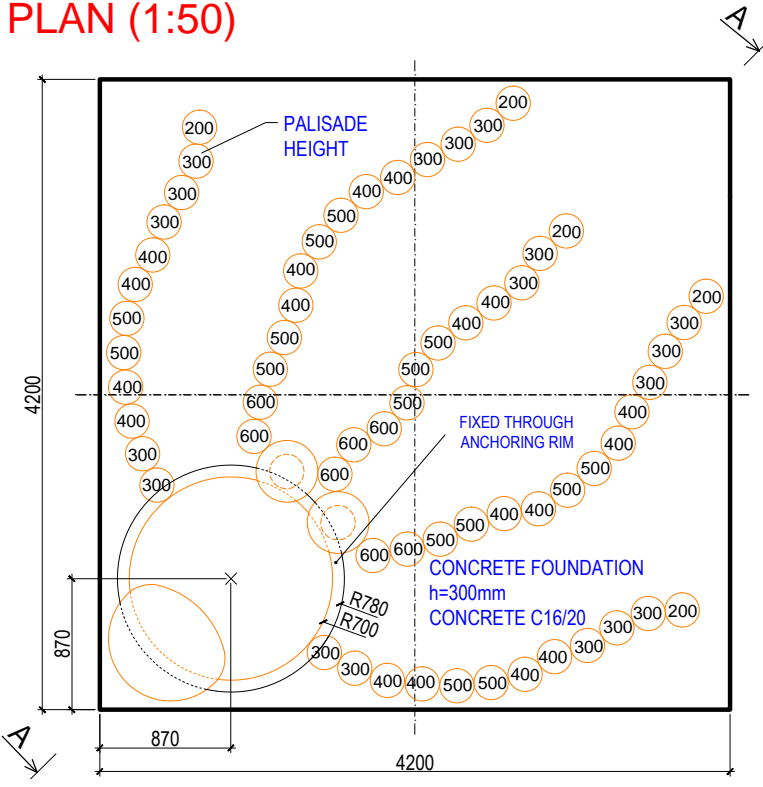
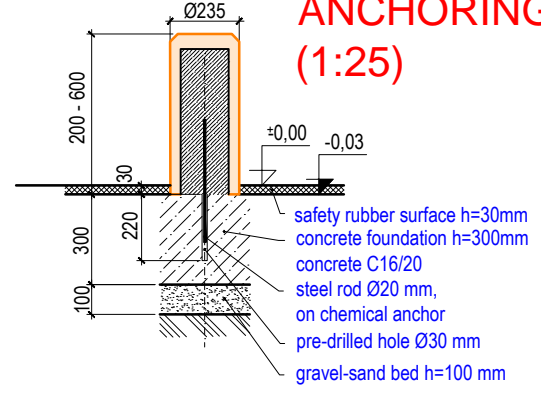


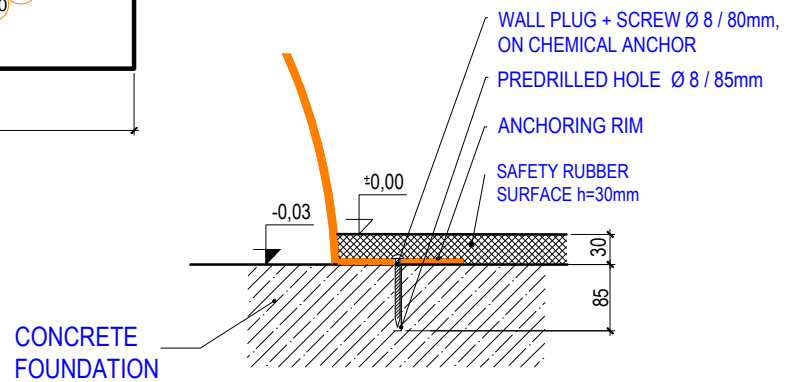
GROUND PLAN (1:50)



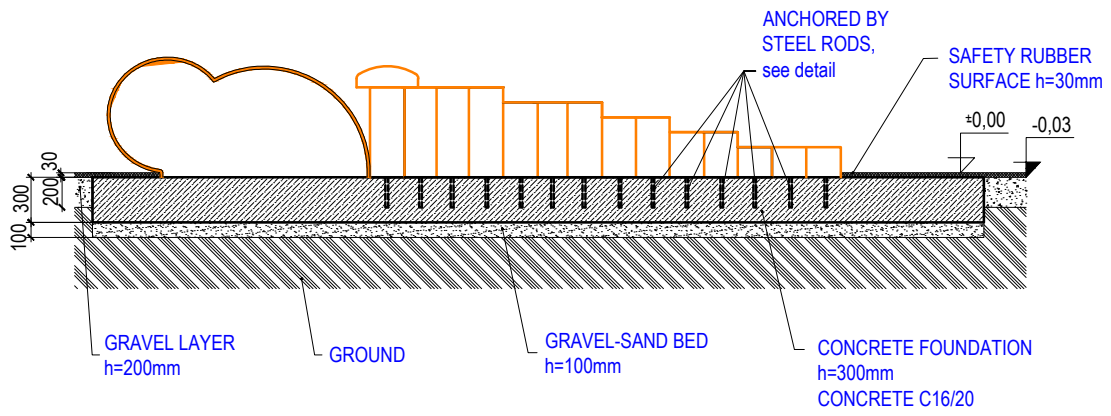
PALISADE ANCHORING (1:25)




ANCHORING DETAIL (1:10)



SECTION A-A (1:50)



Author:		3D PROGRAM, s.r.o.	
MgA. Maxmilián Blišťák		Objízdná 1911 765 02 Otrokovice	
		Tel: 602 500 045 Email: info@3dprogram.eu	
TECHNICAL DRAWING		Certified according to	EN71 , EN1176
		Date of issue	22.2.2021
C03 - OCTOPUS		M 1:50, 1:25, 1:10	format 1xA4
Foundation and anchoring - ground plan and section		C03_EN.dwg	revision 0