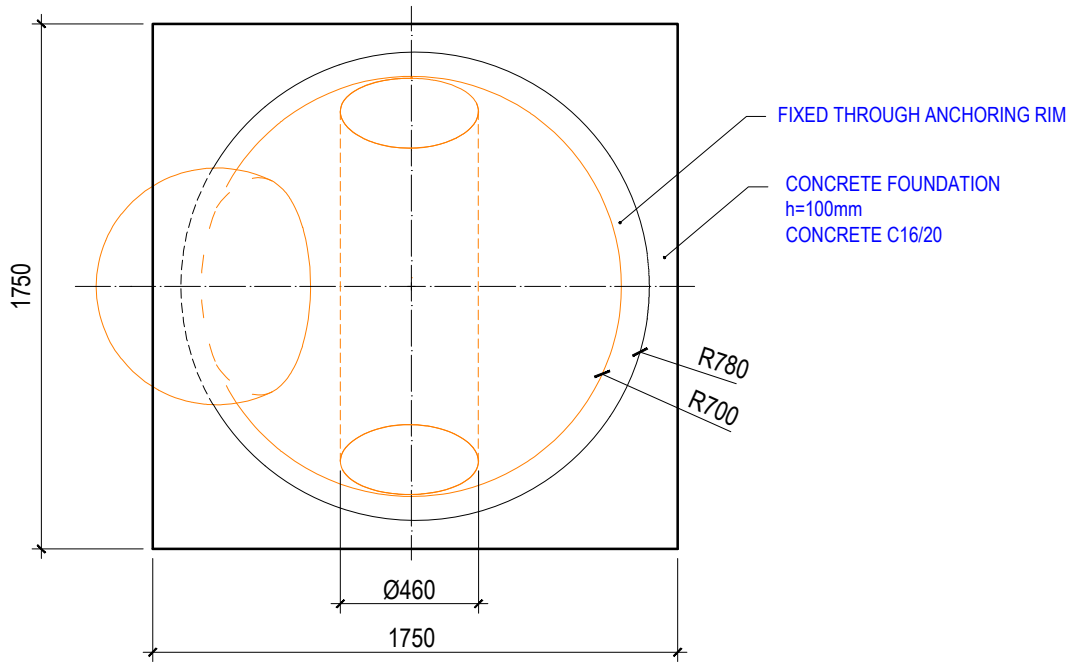
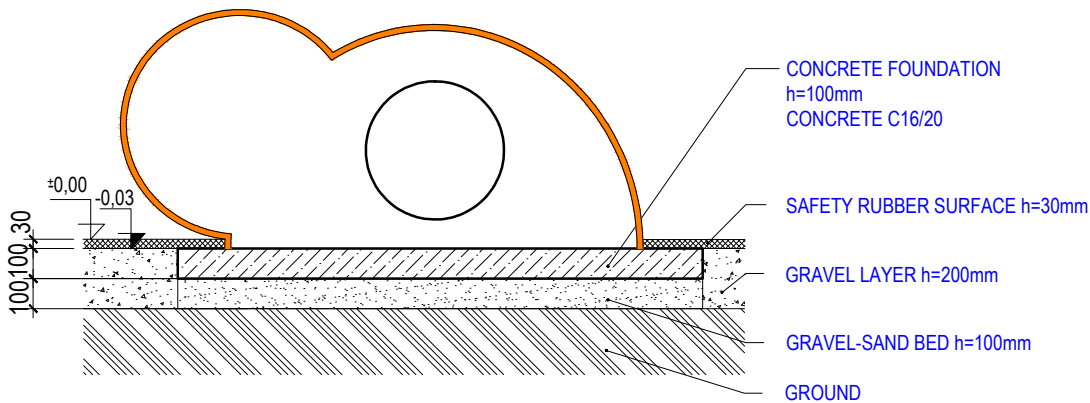


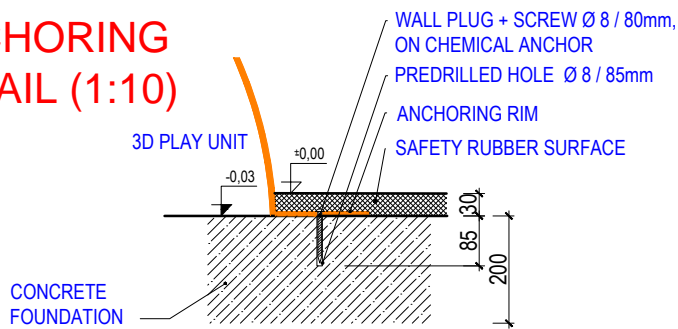
GROUND PLAN (1:25)




SECTION (1:25)

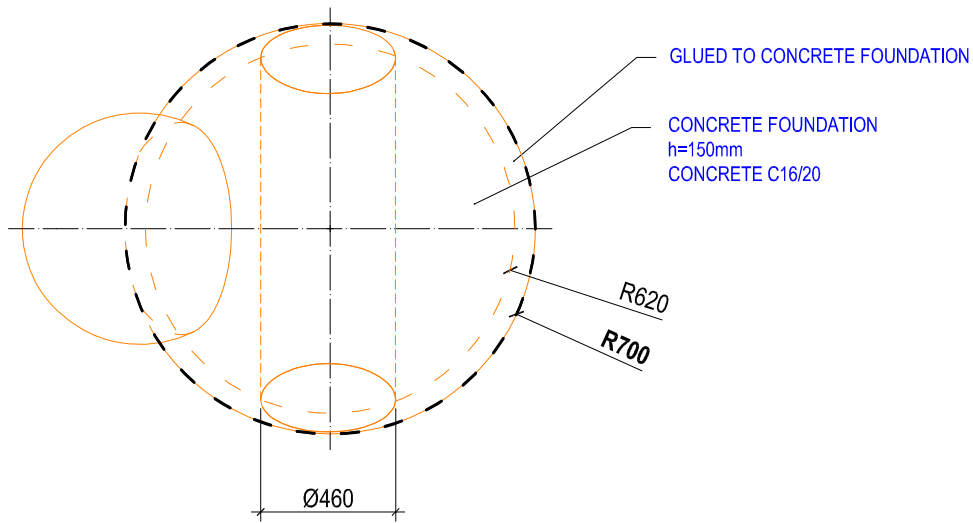


ANCHORING DETAIL (1:10)

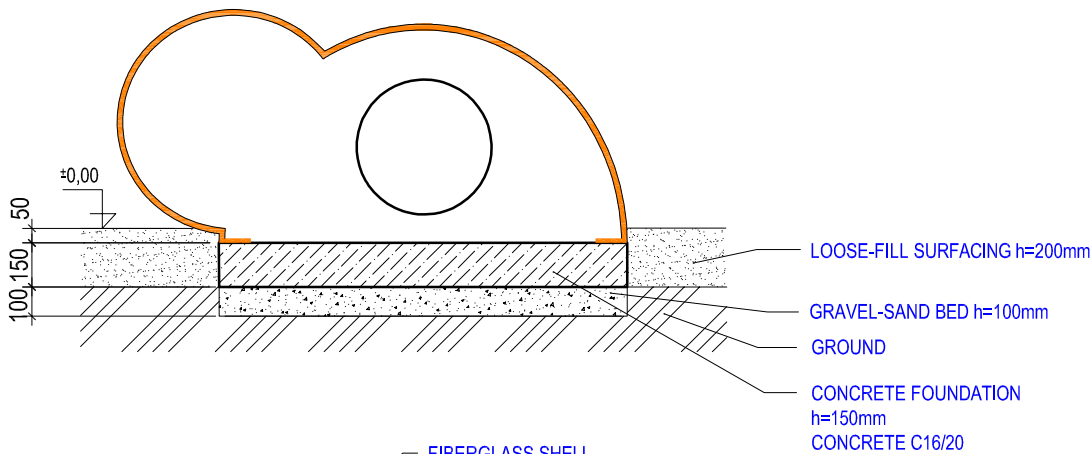


| | | | |
|--|--|--|---|
| Author: | | 3D PROGRAM, s.r.o. |  |
| MgA. Maxmilián Blišťák | | Objíždná 1911 765 02 Otrokovice Tel: 602 500 045 Email: info@3dprogram.eu | |
| <h1>TECHNICAL DRAWING</h1> | | Certified according to | EN71 , EN1176 |
| | | Date of issue | 22.2.2021 |
| C01 - LADYBIRD C05 - DUCK C13 - SNAIL | | M 1:25, 1:10 | format 1xA4 |
| Foundation and anchoring - ground plan and section | | C_EN.dwg | revision 0 |

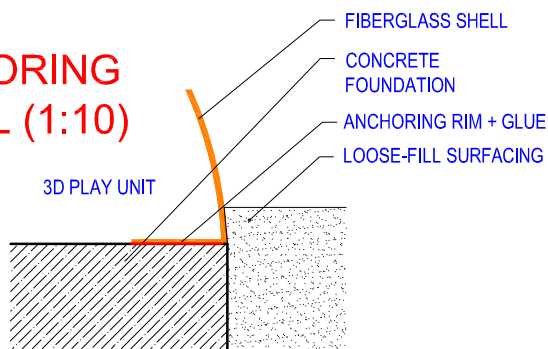
GROUND PLAN (1:25)




SECTION (1:25)



ANCHORING DETAIL (1:10)



| | | | |
|--|--|--|---|
| Author: | | 3D PROGRAM, s.r.o. Objízdná 1911 765 02 Otrokovice |  |
| MgA. Maxmilián Blšták | | Tel: 602 500 045 Email: Info@3dprogram.eu | |
| 3D PLAY UNIT ANCHORING - LOOSE-FILL SURFACING | | Certified according to | EN71 , EN1176 |
| C01 - LADYBIRD C05 - DUCK C13 - SNAIL | | Date of issue | 22.2.2021 |
| Foundation and anchoring - ground plan and section | | M 1:25, 1:10 | format 1xA4 |
| | | C_EN.dwg | revision 0 |