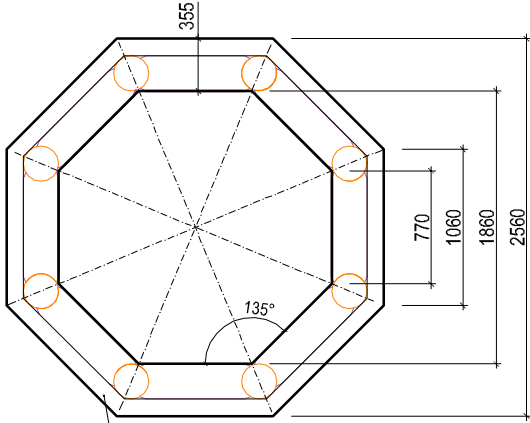
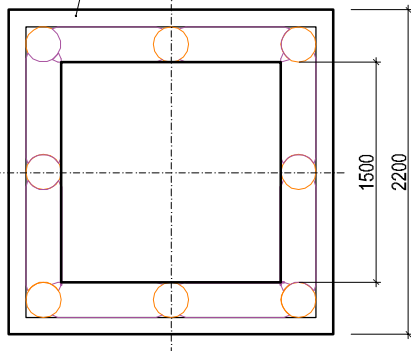


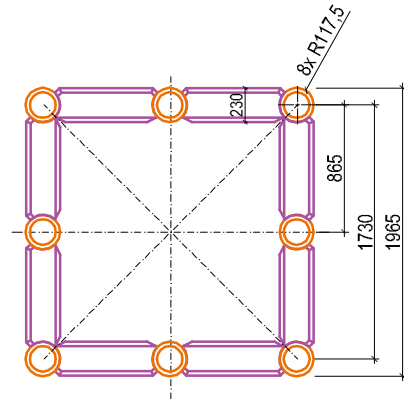
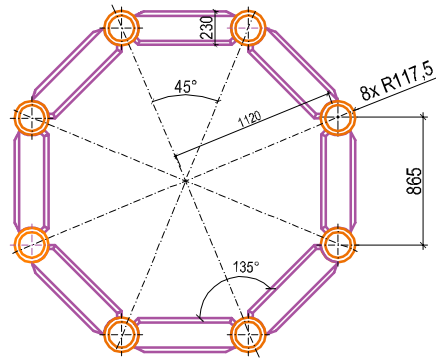
FOUNDATION GROUND PLAN (1:50)
Octagon and square



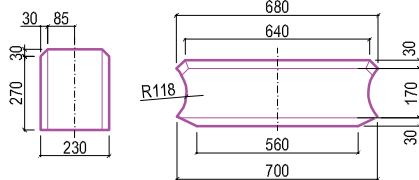
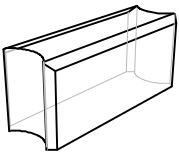
concrete foundation
h=200mm
concrete C16/20



ELEMENT GROUND PLAN (1:50)
Octagon and square

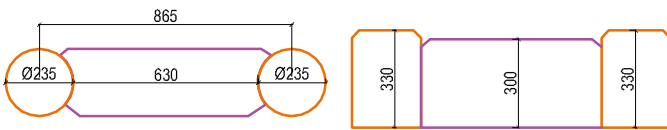


SANDBOX BEAM (1:25)

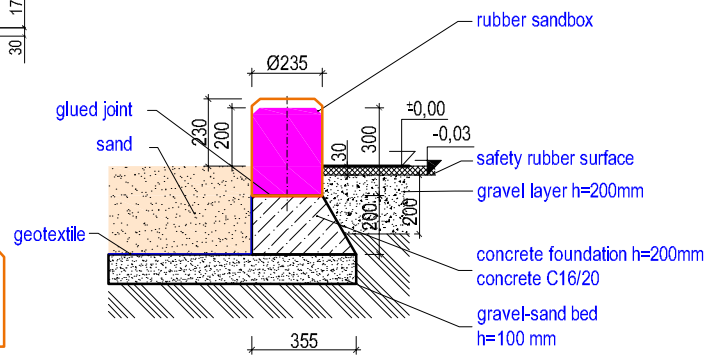


BASIC MODULE (1:25)


(sandbox beam + palisade h=300mm)



SECTION (1:25)



It is available to assemble any shape with using the basic module above. Contact our representatives for more information.

Author:		3D PROGRAM, s.r.o.	
MgA. Maxmilián Blšták		Objizdná 1911 765 02 Otrkovice Tel: 602 500 045 Email: info@3dprogram.eu	
TECHNICAL DRAWING		Certified according to	EN71 , EN1176
		Date of issue	22.2.2021
B04 - SANDBOX		M 1:50, 1:25	format 1xA4
Foundation and anchoring - ground plan and section		B04_EN.dwg	revision 0