

Product technical sheet

SWING ST0524



3 - 14 years



2 kids



11,4 m²

Material specification

- Stainless steel and hot-dip galvanized and powder coated steel construction,
- Seats made of durable HDPE plate, resistant to weather conditions,
- Handles made of stainless steel,
- Stainless steel screws and/or screws covered with plastic caps,
- Safe end caps on top of the structure made of rubber or polypropylene,



Physical development

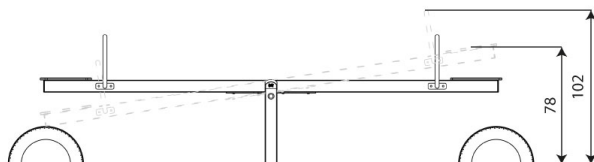
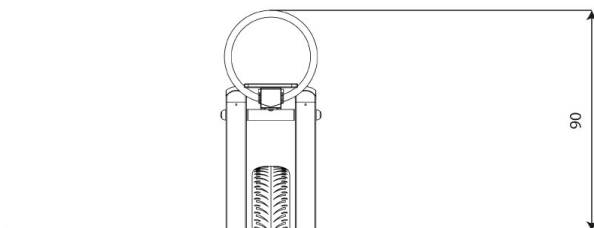
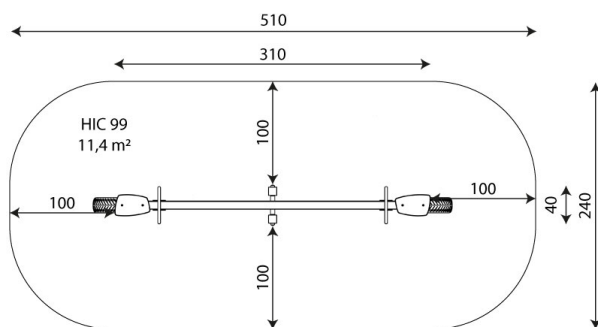


community



rocking





Product technical sheet

SWING ST0524

Product data

| | |
|--------------------------------|--------------|
| Length | 310 cm |
| Width | 40 cm |
| Total height | 90 cm |
| Age group | 3 - 14 years |
| Number of users | 2 kids |
| Safety zone | 11,4 m2 |
| Free fall height | 99 cm |
| In accordance with norm EN | 1176-1:2017 |
| Weight of the heaviest part | 15 kg |
| Dimensions of the largest part | 301x8x8 cm |
| Availability of spare parts | YES |
| Installation time | 2 h |
| Color options | |

Data is subject to change without prior notice.

Additional information

- equipment intended for public playgrounds;
- equipment has a certificate issued by an accredited entity or a declaration of conformity;
- no sharp edges or chinks that would pose a danger of jimmieing the head, fingers or any other body parts;
- anchoring on flat surface, 80/70/60 cm deep;
- render is for reference only, the actual appearance of the equipment and its color may vary;

Guarantee

30 30 year guarantee - Structural strength of steel and stainless steel components

15 15 year guarantee - Structural failure of steel and stainless steel, for dynamic equipment

10 10 year guarantee - Structural failure of high density polyethylene and high pressure laminates components

5 5 year guarantee - Corrosion of stainless steel and hot dip galvanized and powder coated components; against bark beetles and rot in case of wooden structural elements

Detailed information in the guarantee card



SWING ST0524

Surfaces according to EN 1176-1:2017

| | Description (mm) | Layer thickness (cm) | Maximum fall heights (cm) |
|---------------------------------|------------------------------|----------------------|---------------------------|
| Turf/ top layer of soil (A,B,C) | - | - | ≤100 |
| bark (A,C) | Particle size from 20 to 80 | 30 | ≤200 |
| | | 40 | ≤300 |
| woodchips (A,C) | Particle size from 5 to 30 | 30 | ≤200 |
| | | 40 | ≤300 |
| sand or gravel (A,C) | Particle size from 0,25 to 8 | 30 | ≤200 |
| | | 40 | ≤300 |
| synthetic attested (A,B,C) | Tested according to EN 1177 | | 99 |

Amount of safe surface corresponding with free fall height:

HIC 99 11,4 m²

Data is subject to change without prior notice.

