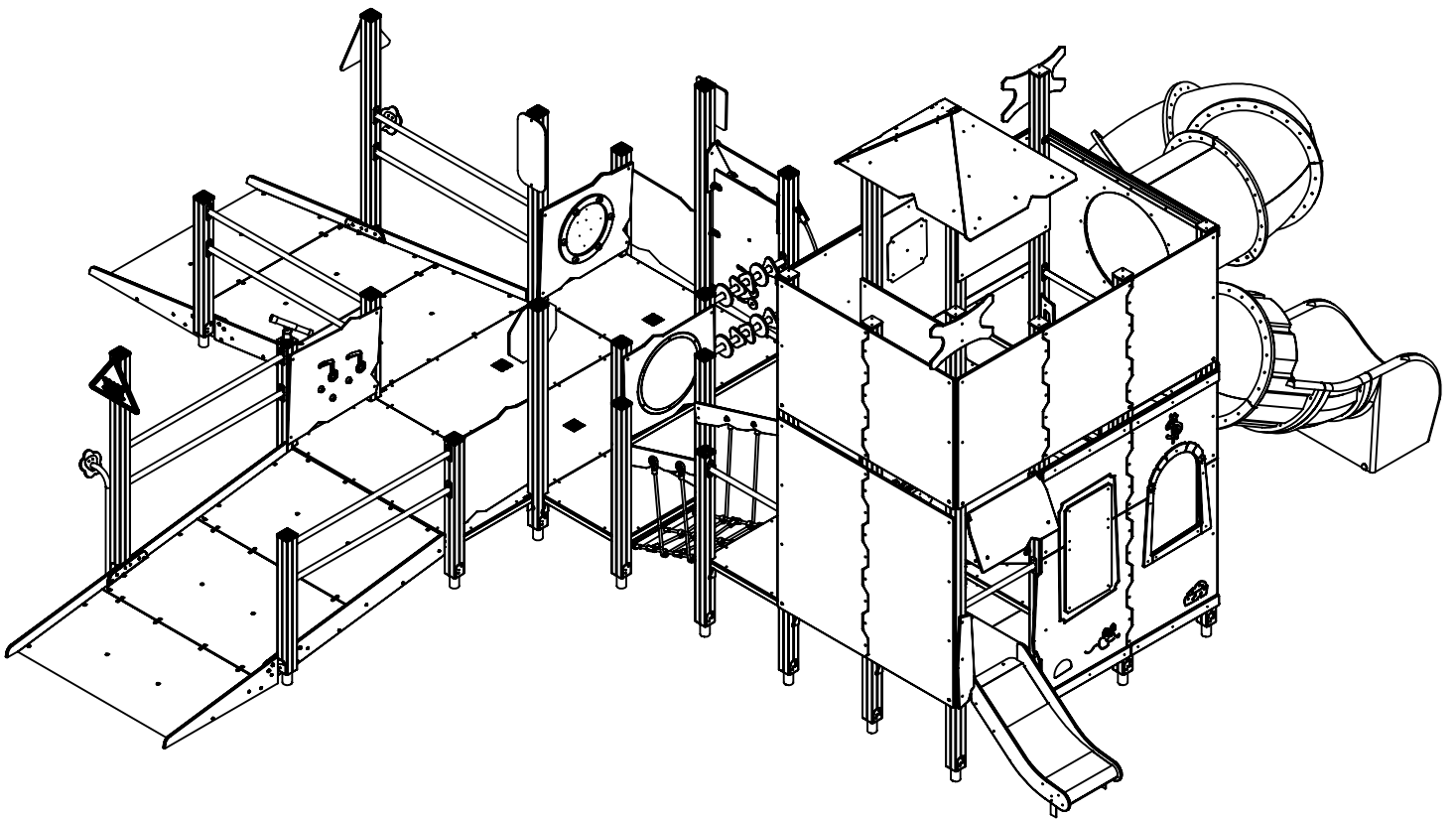
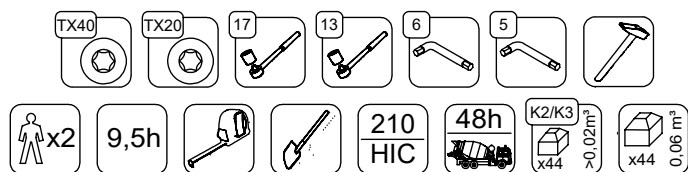


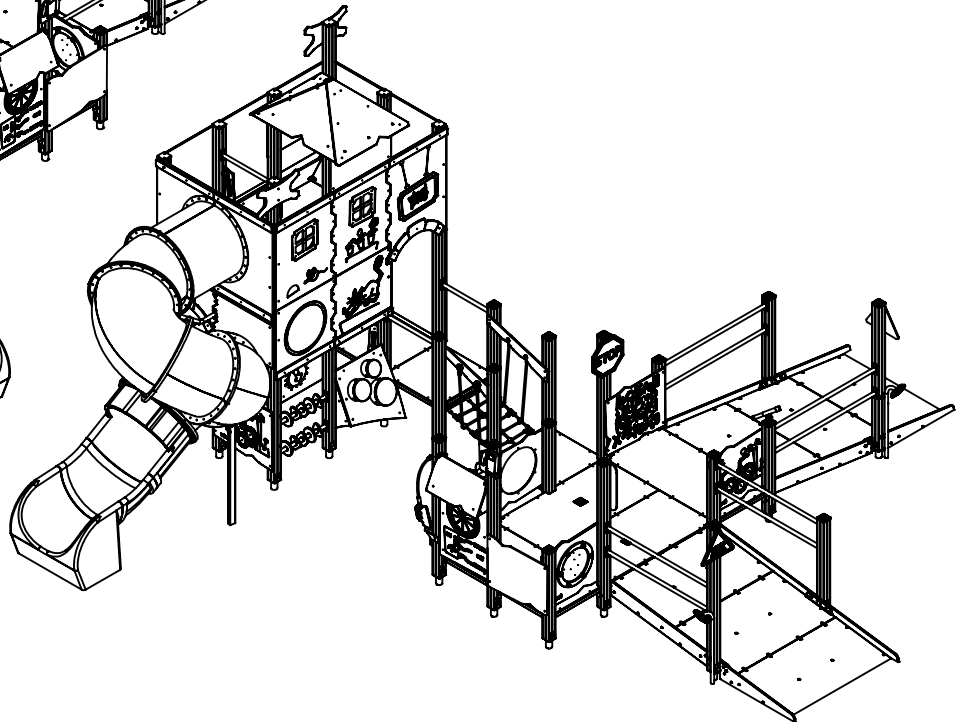
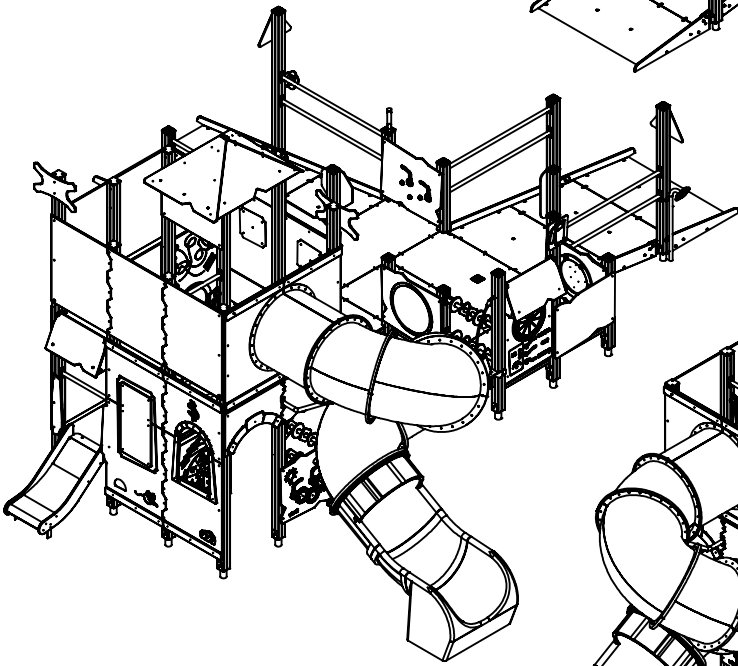
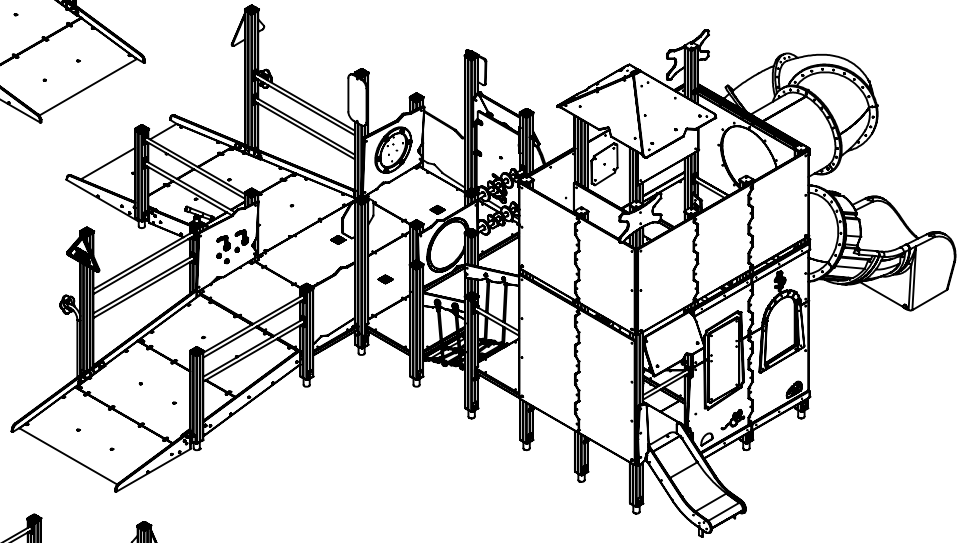
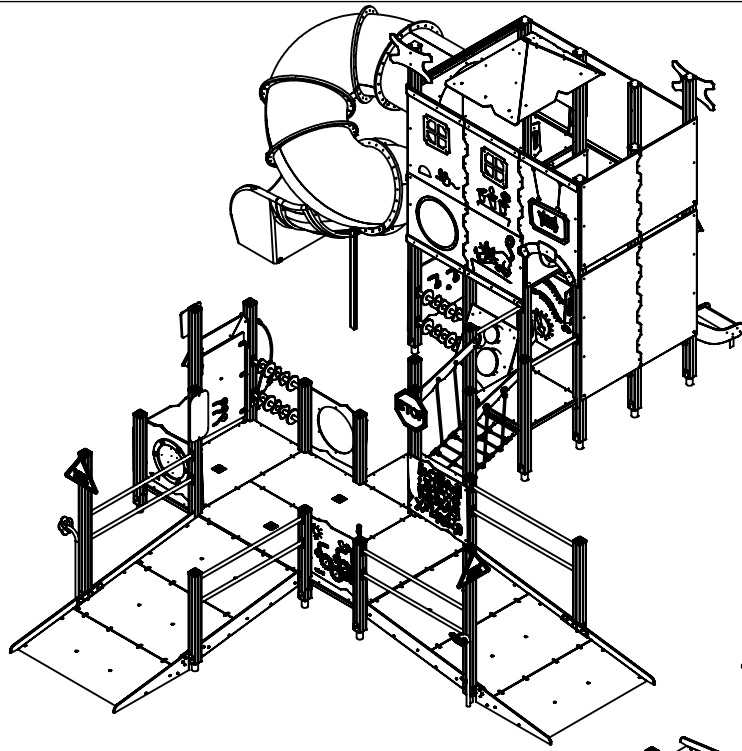
WD1542



v010
22.02.2022
A. D.
[cm]

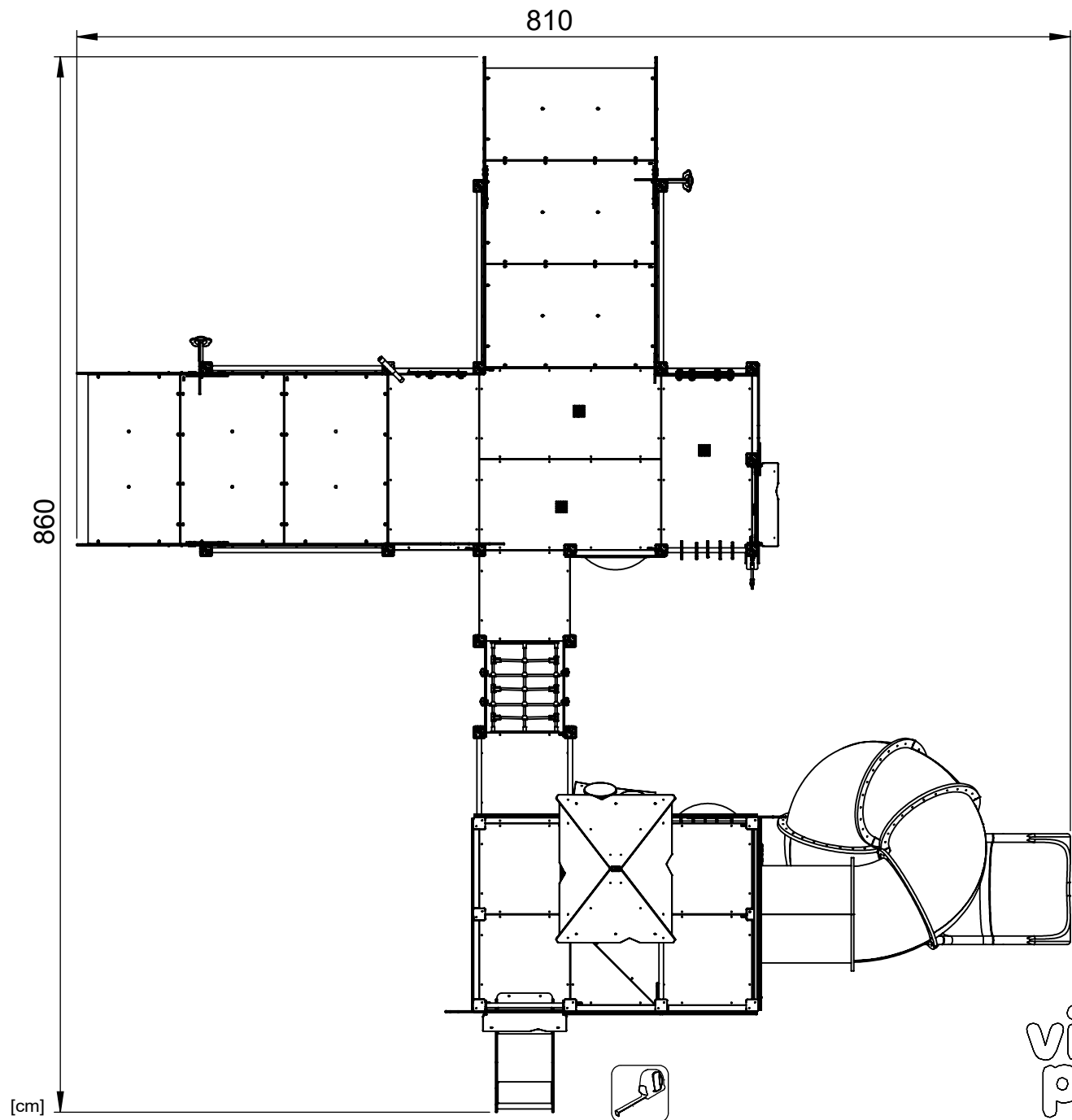
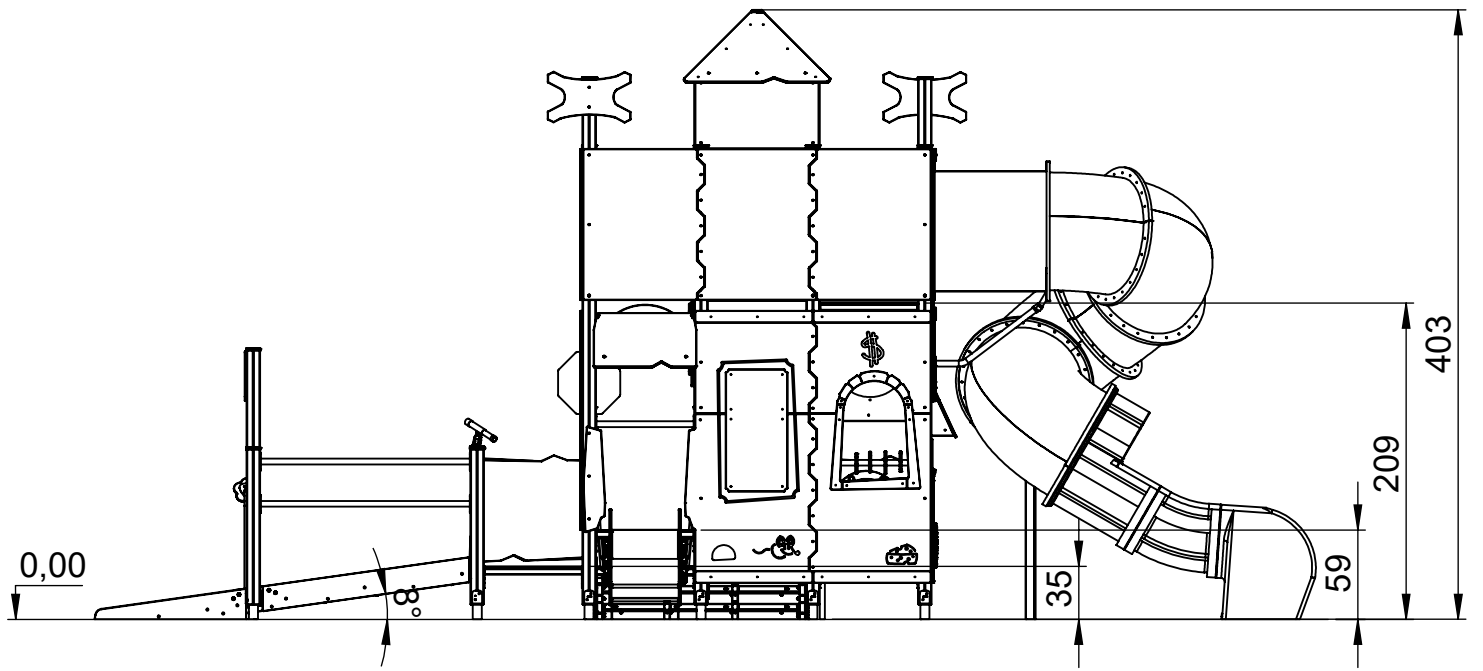


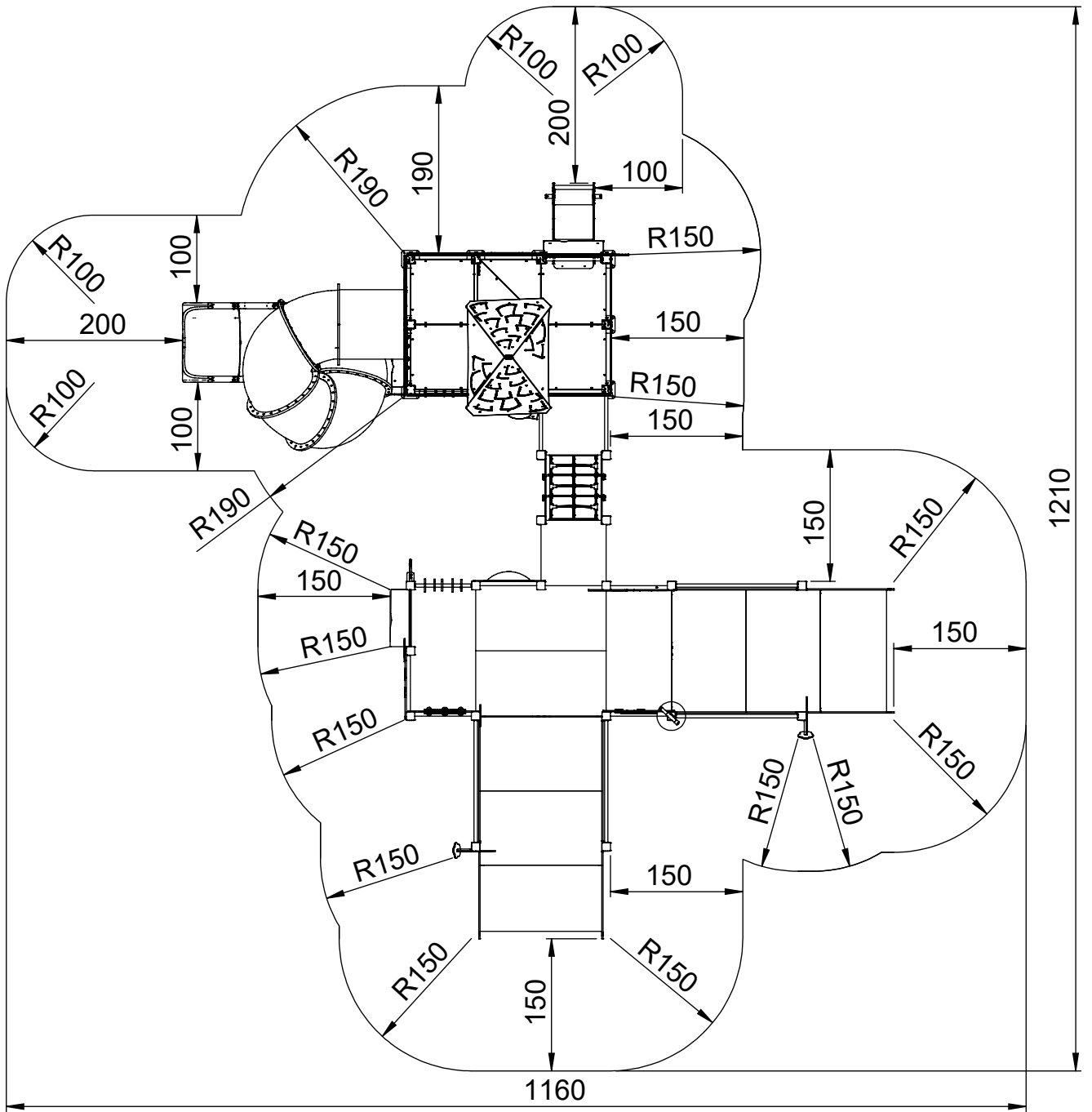
vinci
play



[cm]

vinci
play



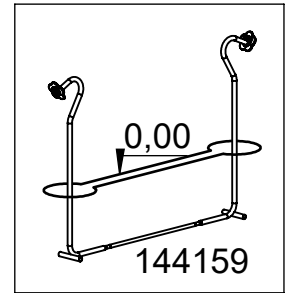
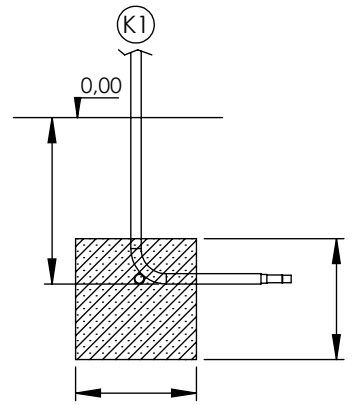
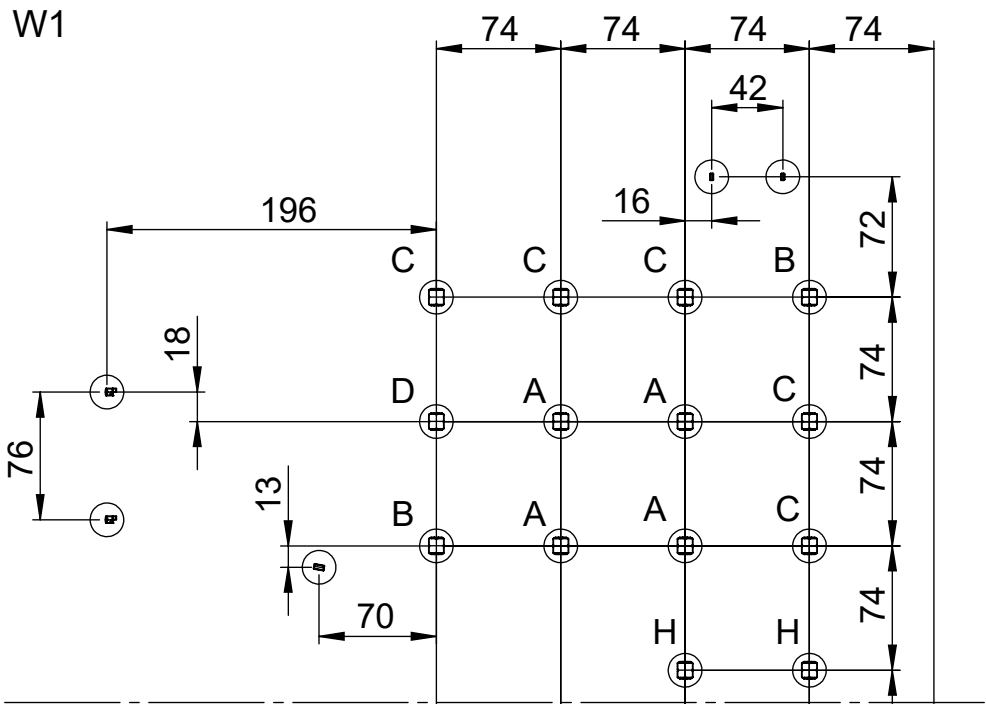


[cm]

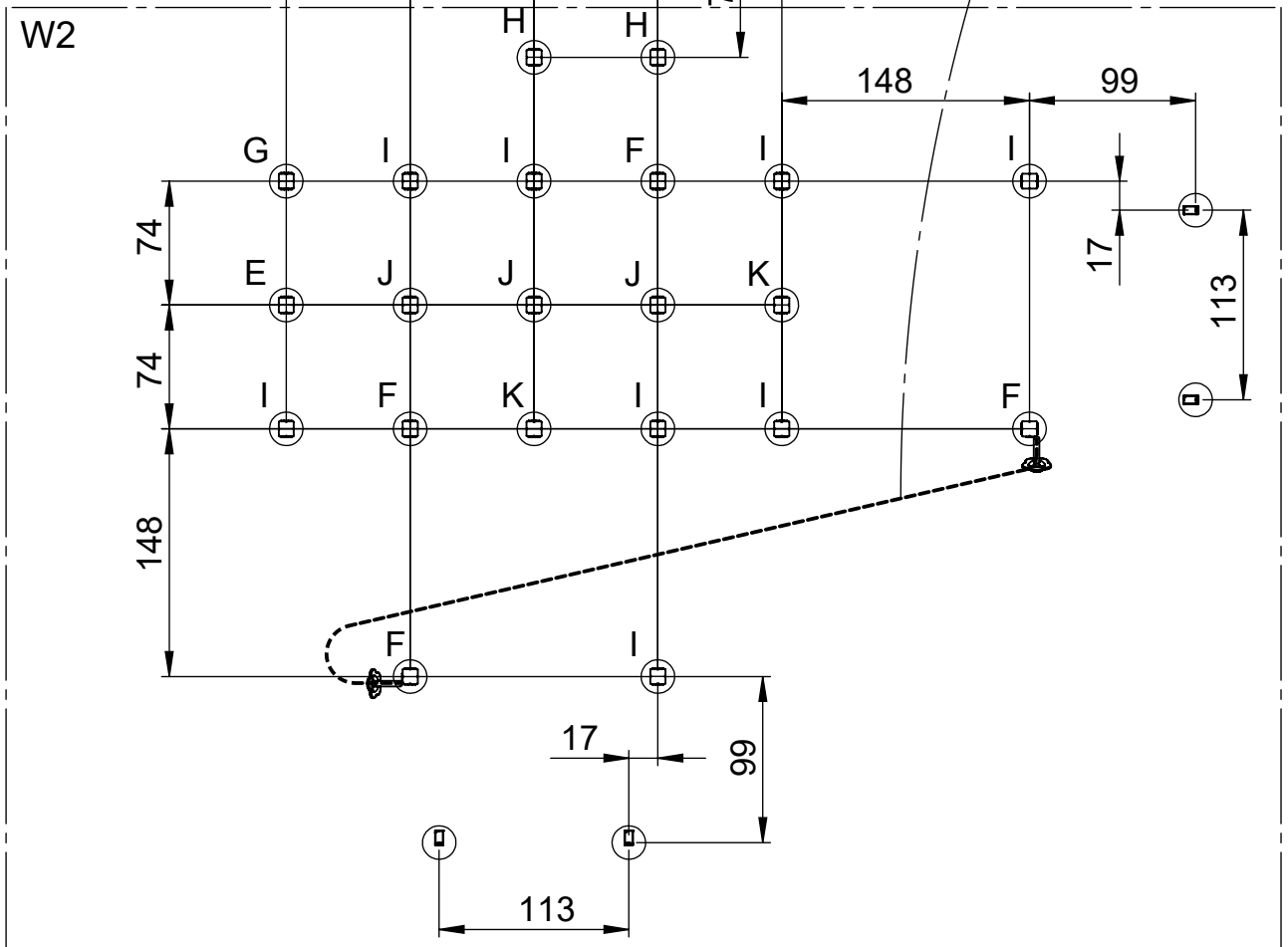


vinci
play

W1



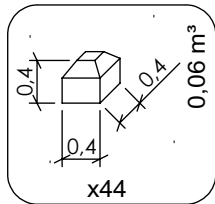
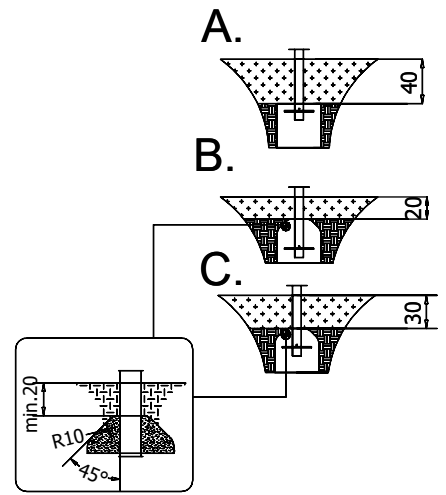
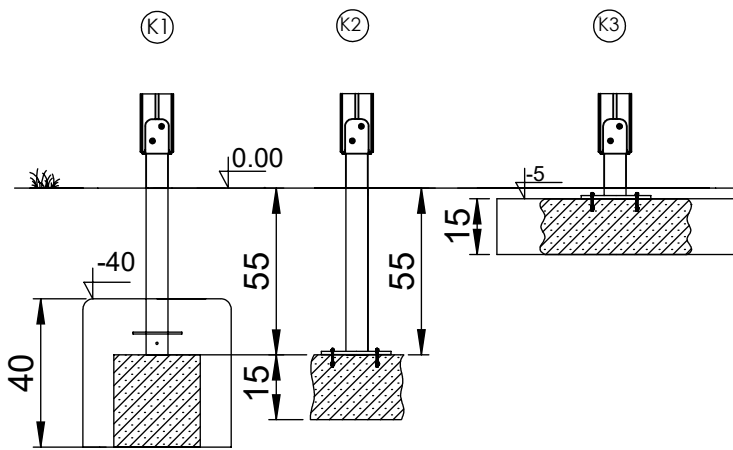
W2



[cm]



vinci play

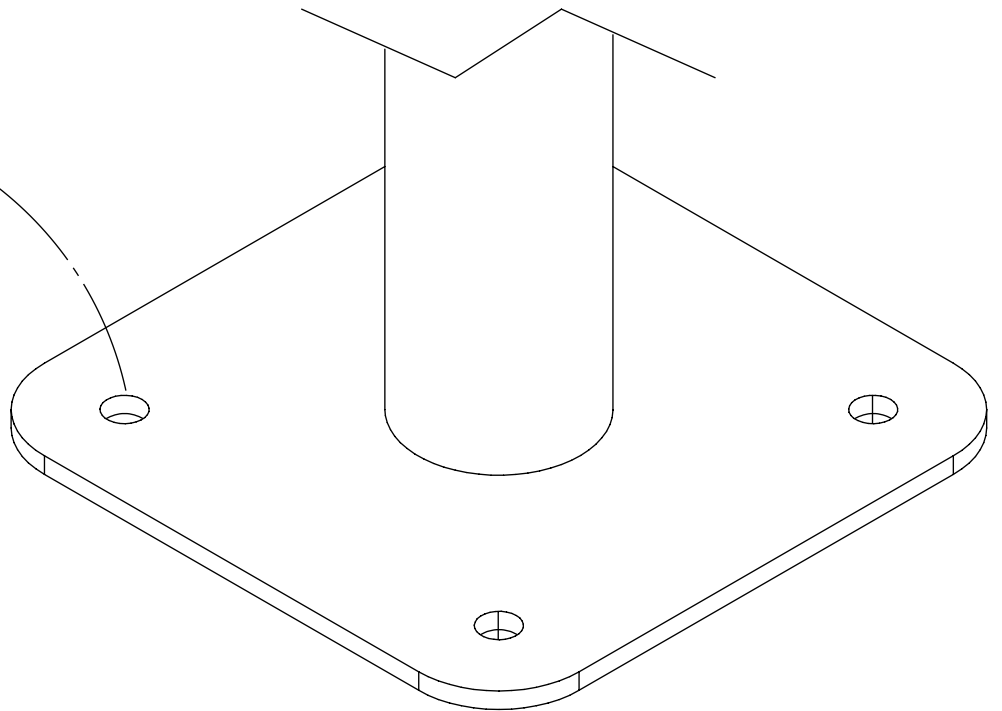


2x M8x120 (K2)

NOT INCLUDED

62x M10x120 (K2)
64x M10x120 (K3)

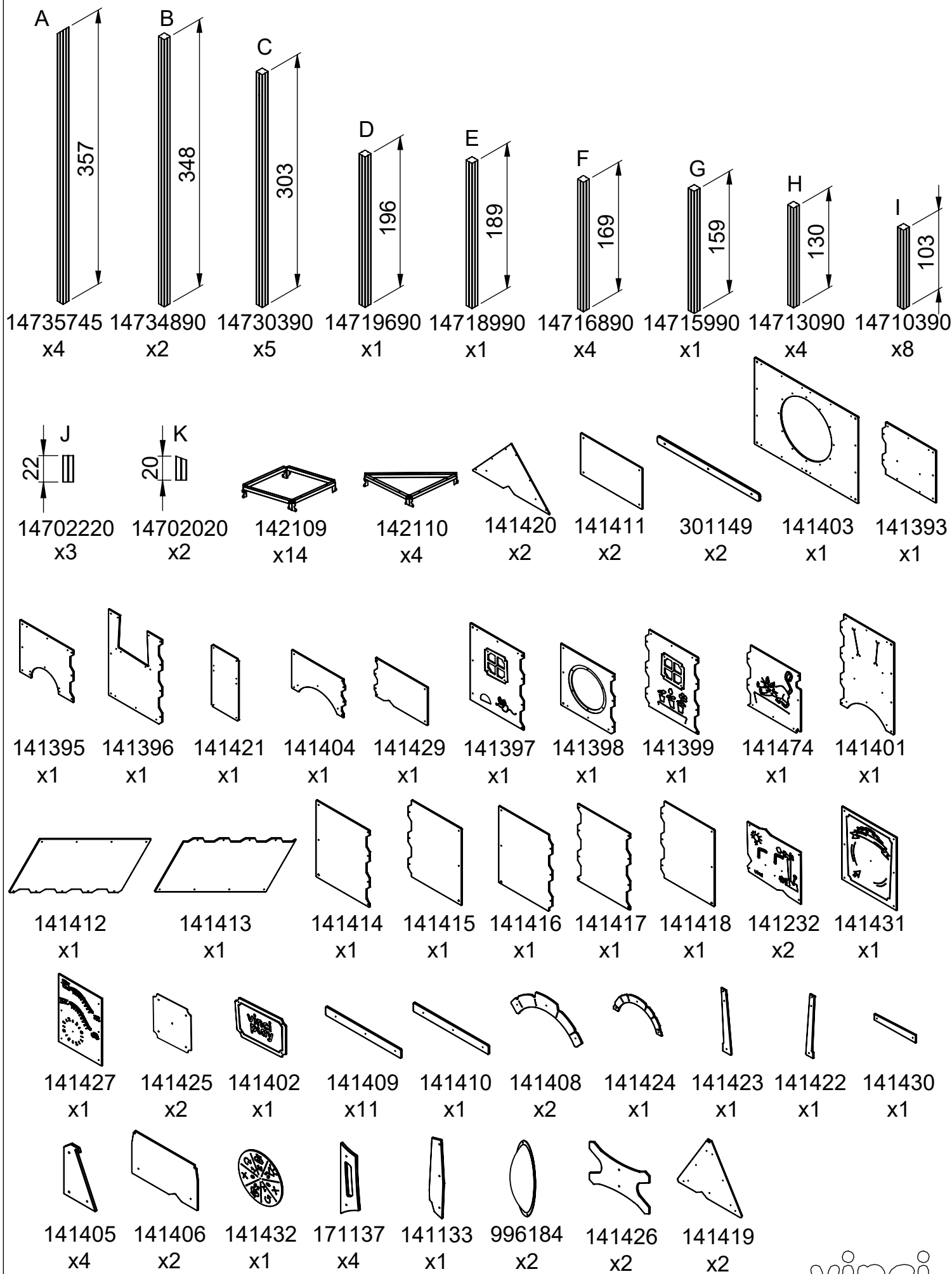
NOT INCLUDED



[cm]



vinci
play

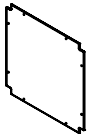


[cm]

vinci
play



141394
x1



141100
x5



141101
x1



141104
x4



141128
x1



141320
x1



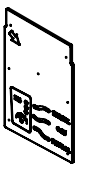
141148
x1



141407
x1



141250
x1



141479
x1



141478
x1



171159
x4



171223
x4



142141
x8



173108
x4



b334
x4



141321
x2



b341
x1



b342
x1

PLYWOOD



141359
x4

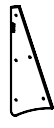
HPL



171227
x4



171117
x1



171118
x1



171119
x1



171125
x1



171126
x1



171127
x1



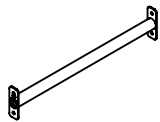
996228
x1



996229
x1



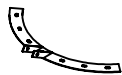
996230
x1



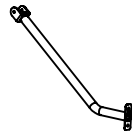
142117
x7



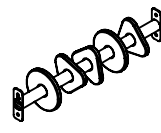
142188
x1



992267
x2



992269
x1



144126
x4



141475
x1



141476
x1



141477
x2



141480
x2



141483
x1



141484
x1



141485
x1



145260
x1



011135
x1



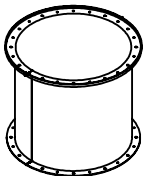
144247
x1



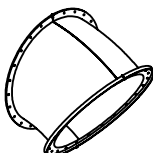
141299
x7



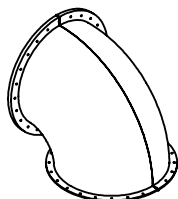
141473
x1



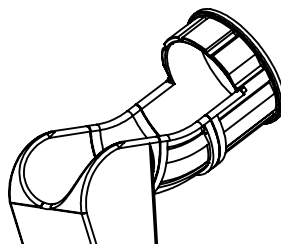
996421
x1



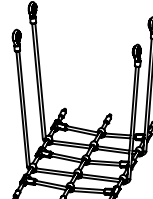
996420
x2



996423
x3



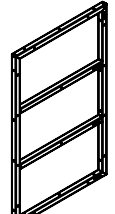
996422
x1



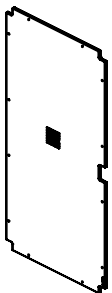
145248
x1



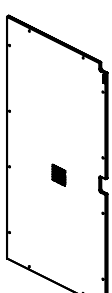
171153
x6



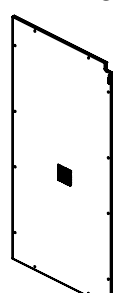
172113
x6



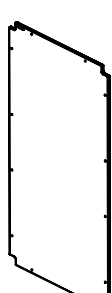
141327
x1



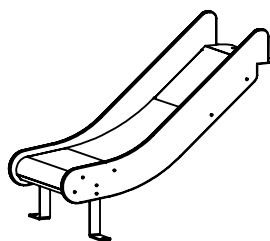
141346
x1



141343
x1



141347
x1



994108
x1

[cm]

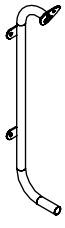
vinci
play

K1, K2



142121
x1

K3



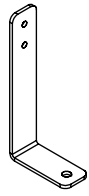
142186
x1

K1, K2



P78
x2

K3



b219-2
x2

K1, K2



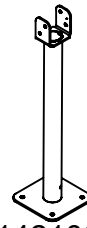
171276
x4

K1



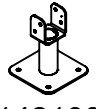
142102
x35

K2



142108
x35

K3



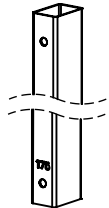
142100
x35

K1



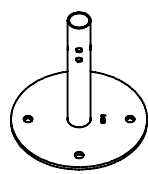
b708c
x2

K1



993175
x1

K3



992306
x1

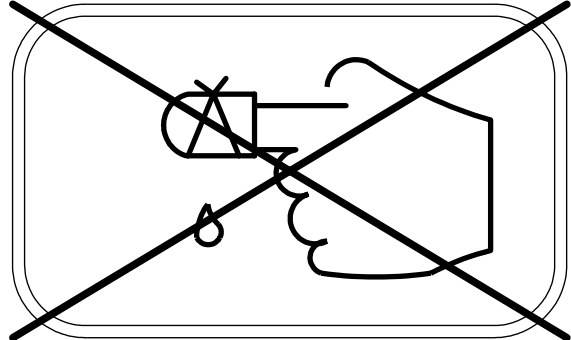
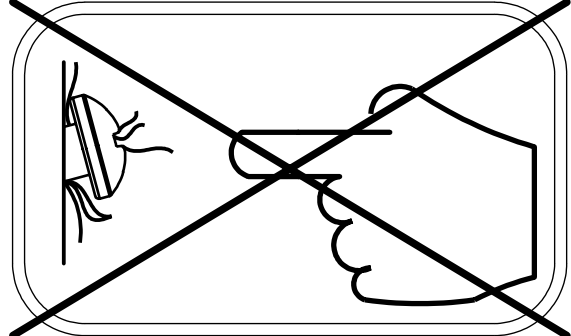
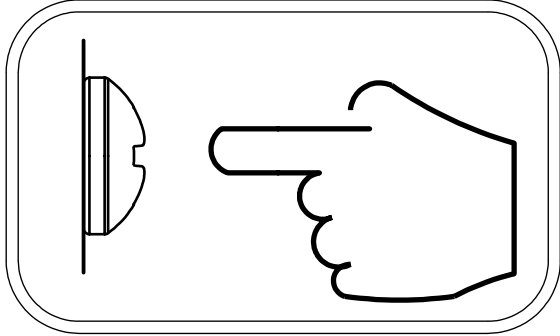
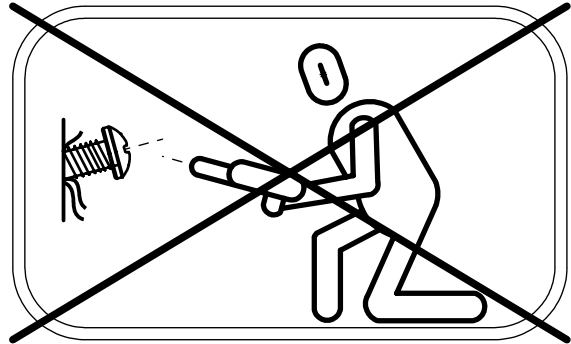
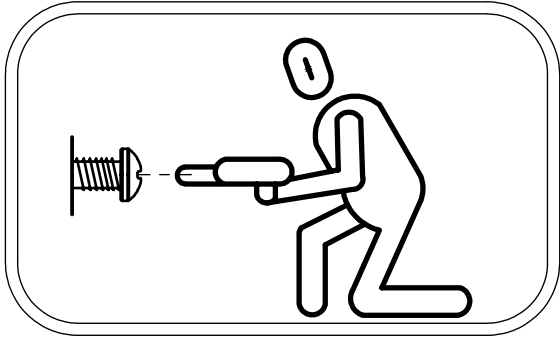
K3



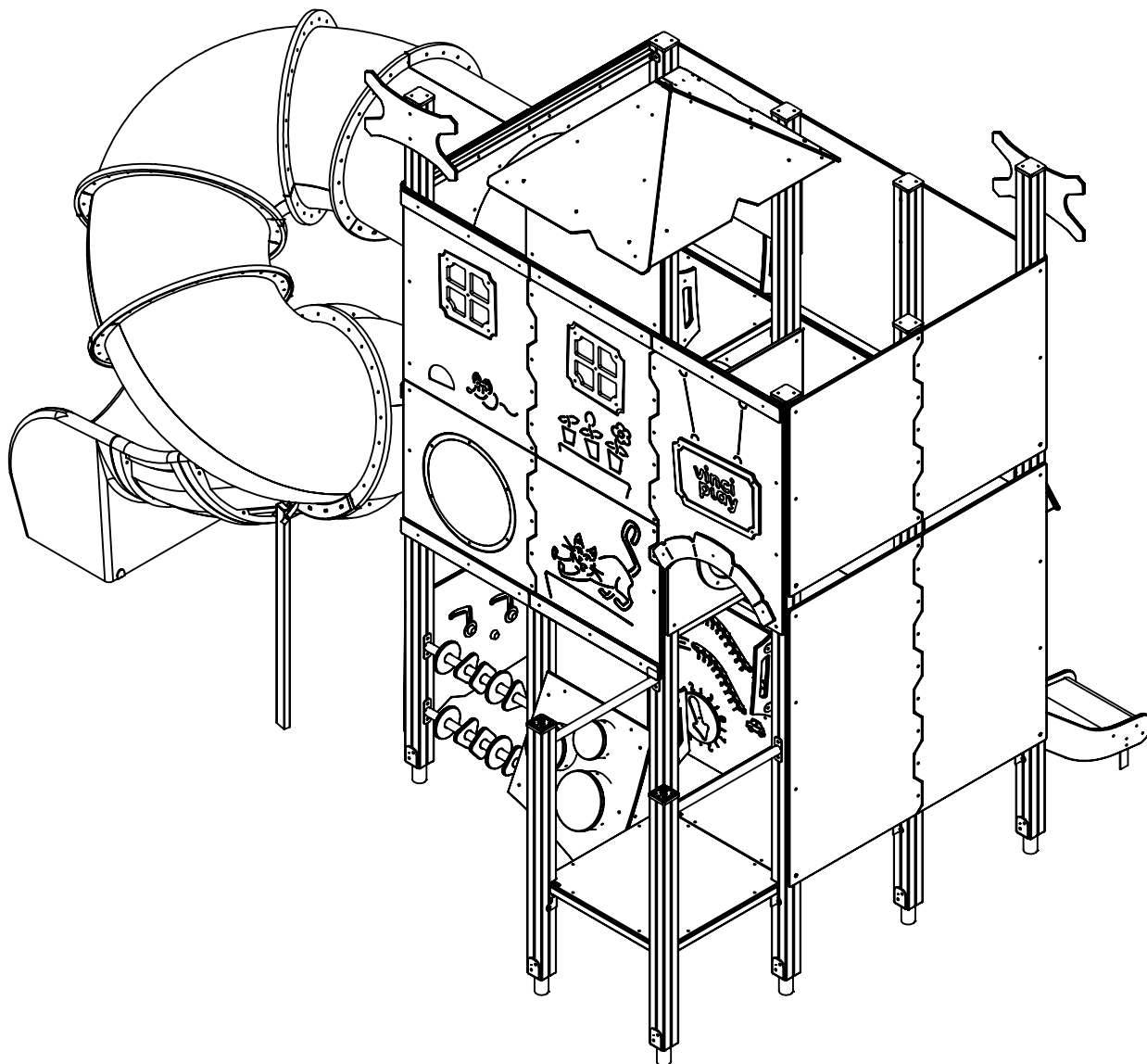
992309
x1

Qty.	
2x	6x80 sxt
2x	7x35 sxs
570x	8x50 sxi
1x	30c156
3x	30e090
1x	30e091
1x	30e092
2x	30e093
2x	30e095
1x	30e096(k1)
2x	c002
1x	c026
1x	c052
13x	c080
1x	c085
1x	c104
2x	c113
2x	c117
1x	c152
8x	c164
2x	c166
2x	c171
1x	CE9
2x	CE11
1x	CE163
1x	CR191
1x	CR205(k1)
1x	E34(k1,k3)
1x	E35(k2)
1x	E184(k3)
1x	E242
1x	i096(k3)
1x	V001
24x	WD1
2x	WD59
1x	WD66
5x	WD161
1x	WD164(k1)
1x	WD171(k2)
1x	Z18

PLYWOOD / HDPE		HPL	
1x	CE9	1x	CL9
2x	WD19	2x	WD20
1x	CE83	1x	CL83
1x	WD28(s1)	1x	WD29(s1)
2x	WD63	2x	WD64
5x	WD70	5x	WD71
9x	WD74	9x	WD75
5x	WD76	5x	WD77
3x	WD113(s6)	3x	WD114(s6)
2x	WE126	2x	WL126
2x	WD142	2x	WD141
2x	WD144	2x	WD143
2x	WD146	2x	WD145
4x	WD166	4x	WD165
2x	WD182	2x	WD181

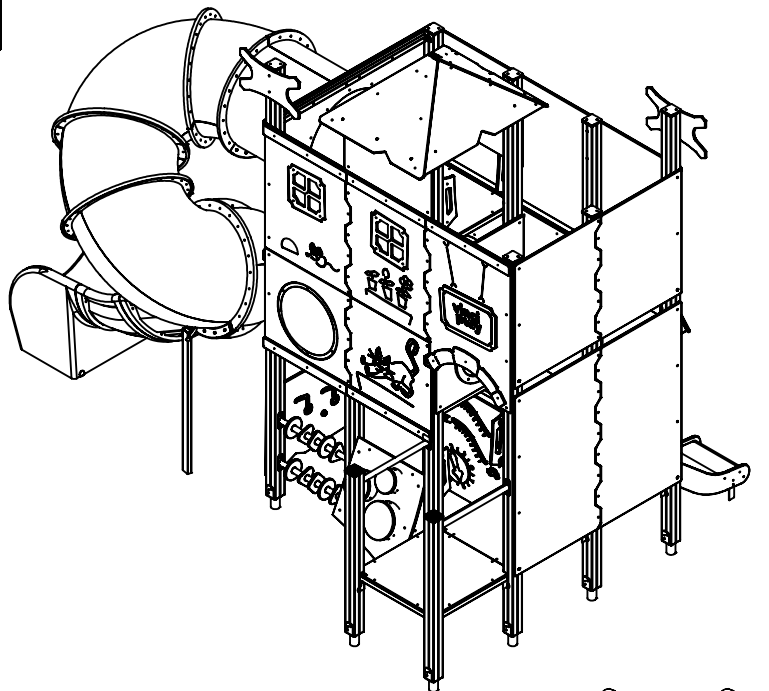
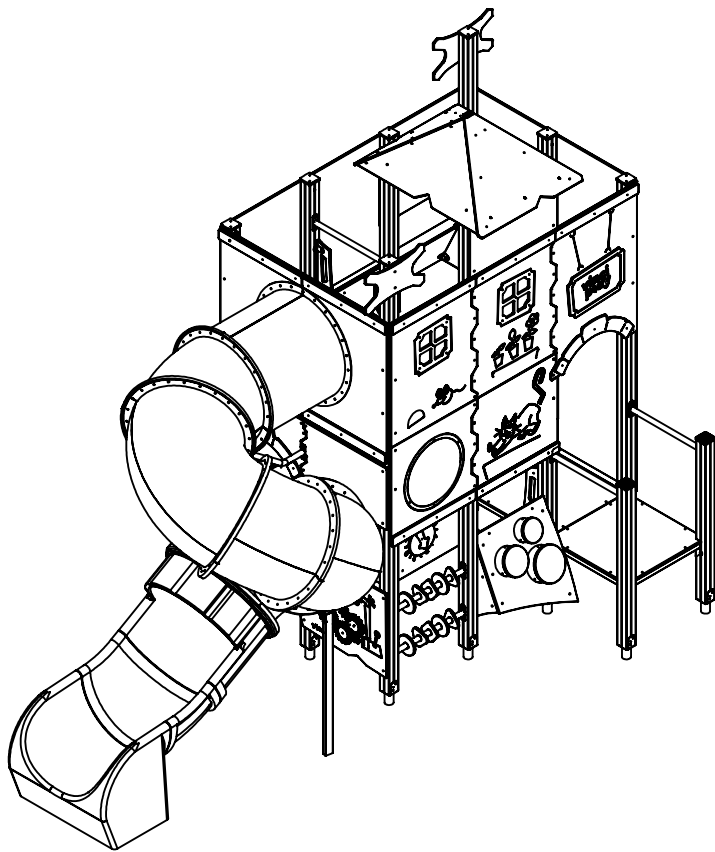
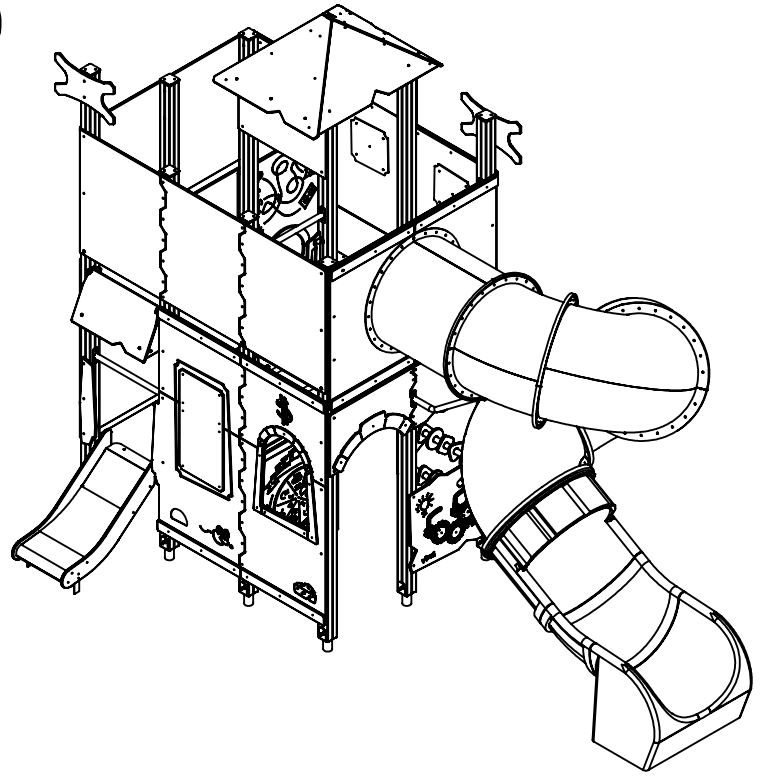
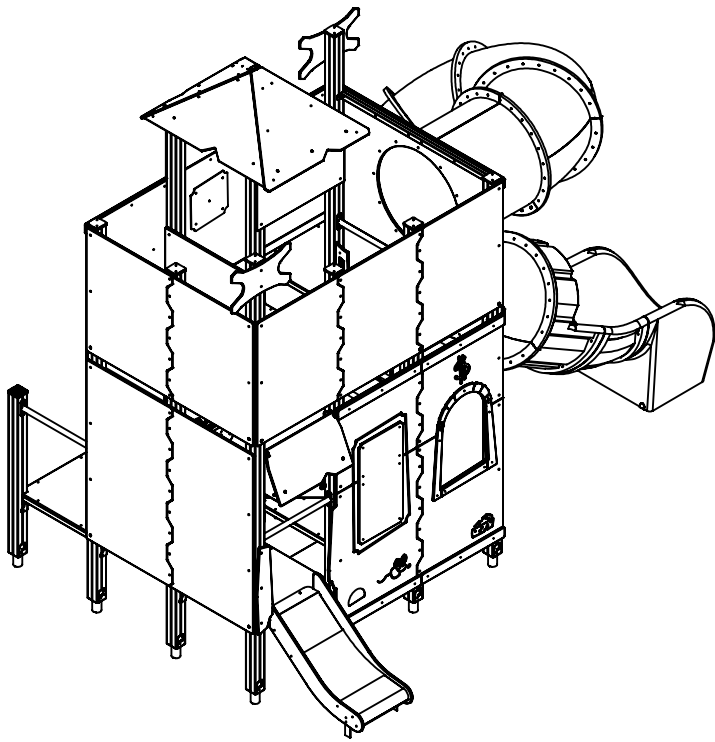


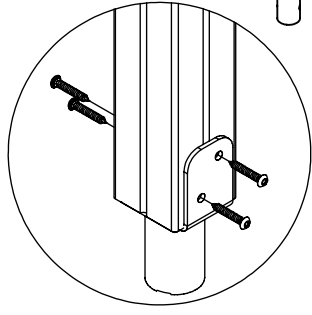
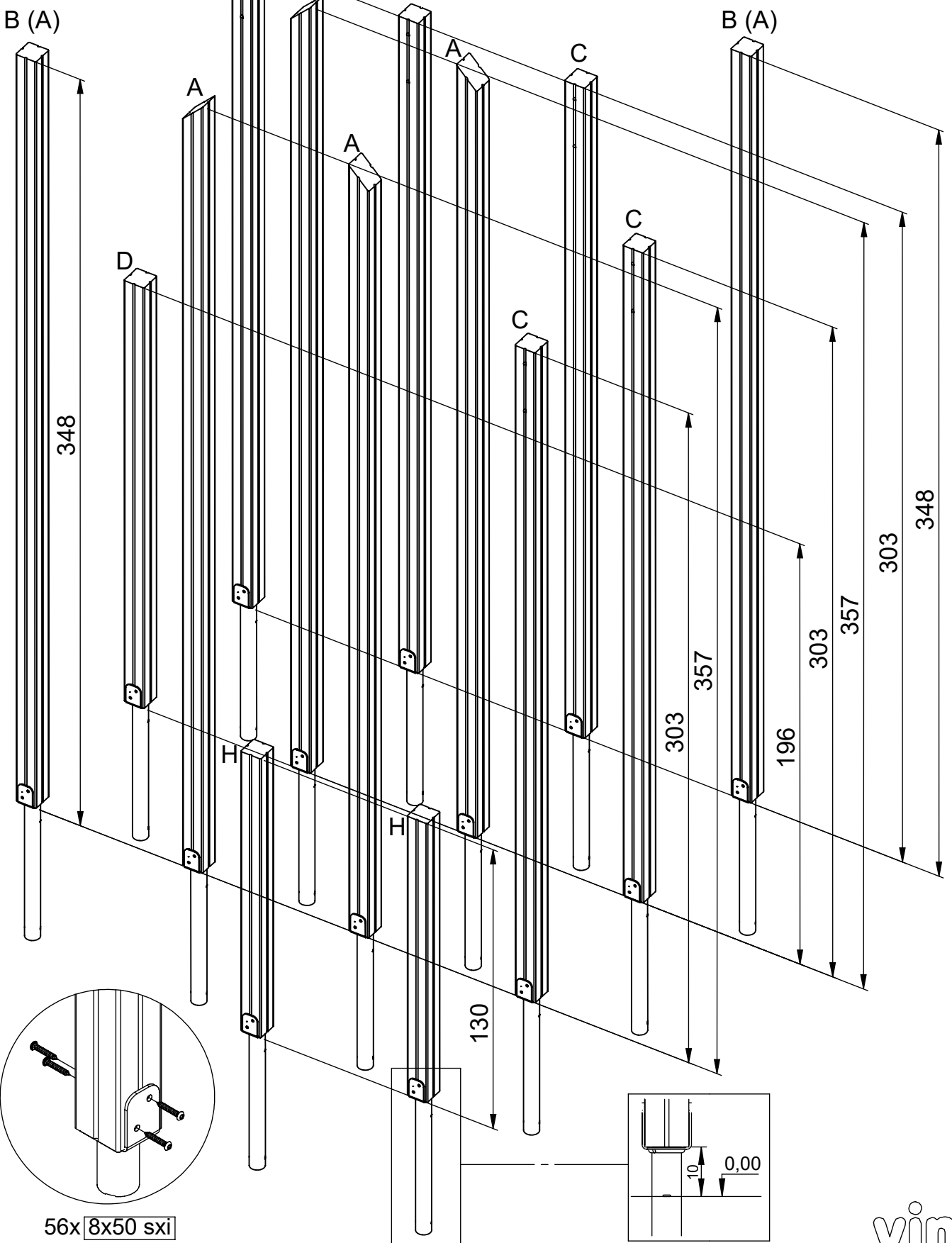
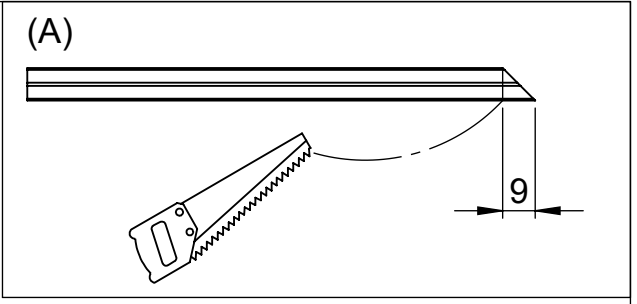
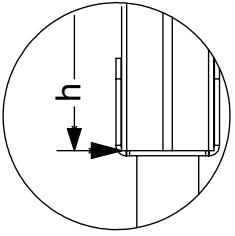
W1



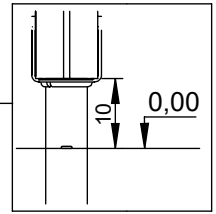
[cm]

vinci
play



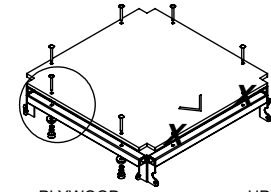
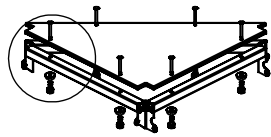
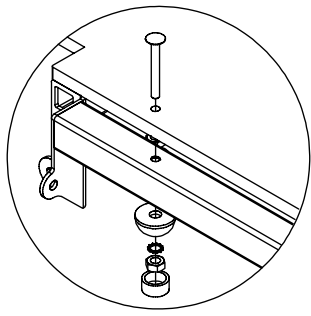


56x 8x50 sxi

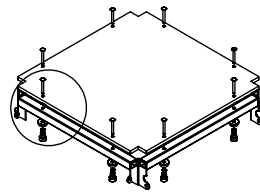


[cm] W1

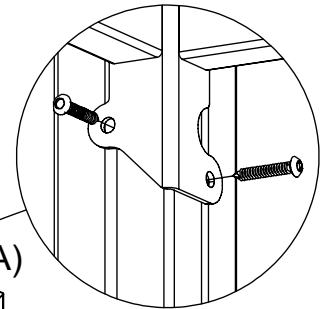
vinci play



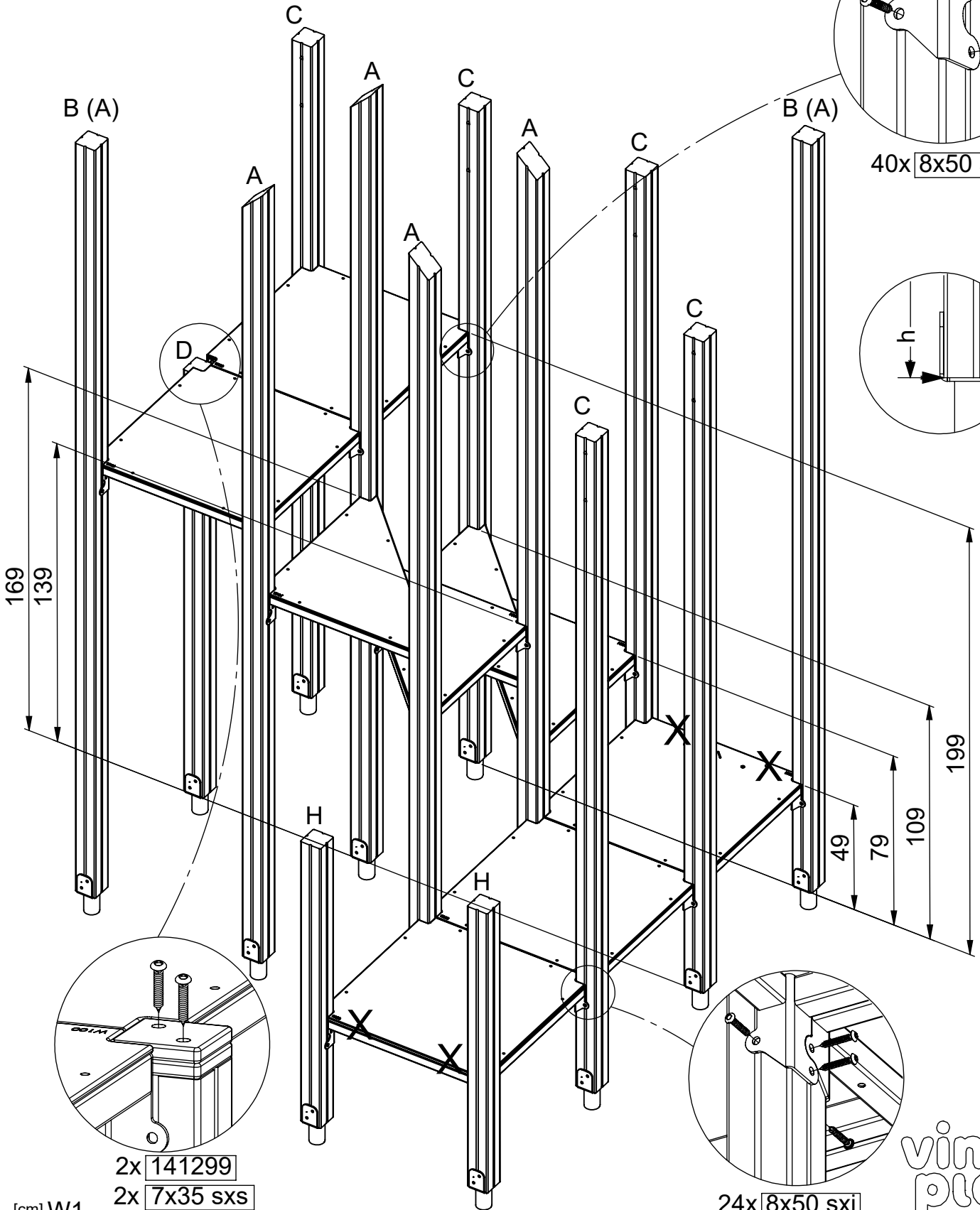
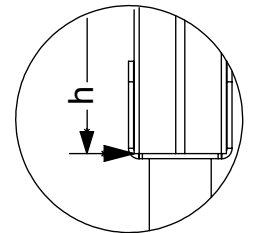
PLYWOOD HPL
WD74 WD75



PLYWOOD HPL
WD76 WD77



40x 8x50 sxi



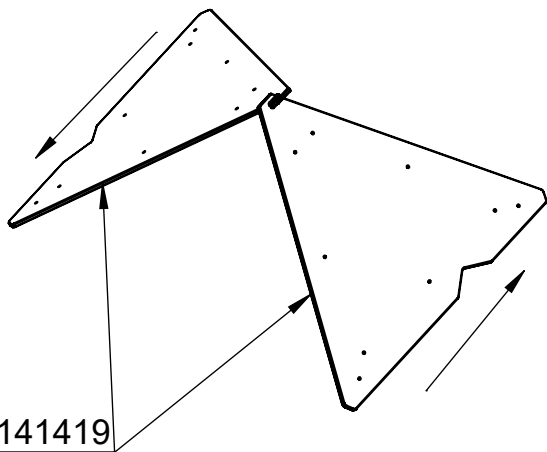
2x 141299
2x 7x35 sxs

24x 8x50 sxi

[cm] W1

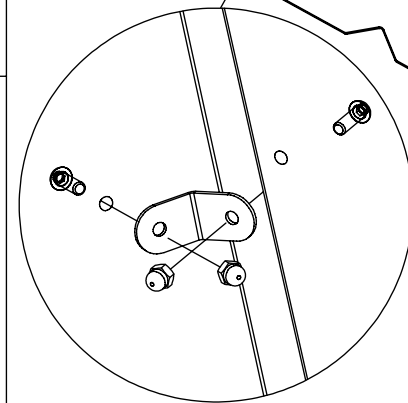
vinci
play

141419



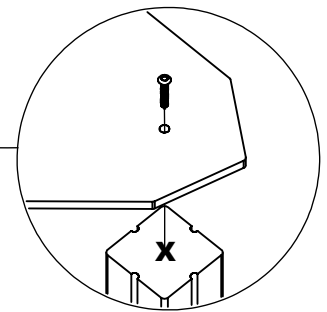
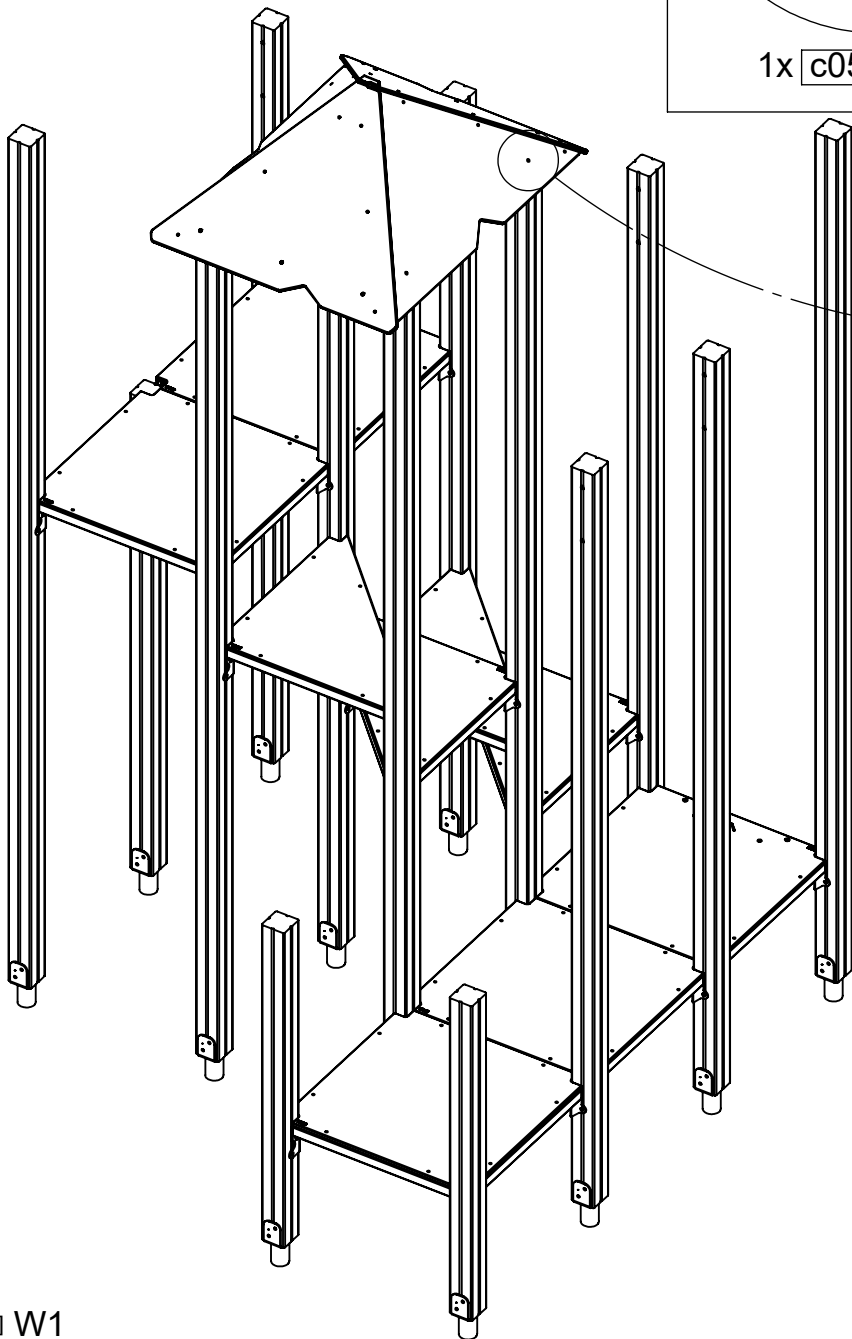
301149

141420



1x c058

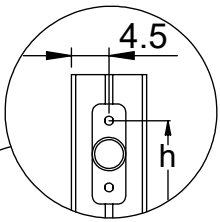
1x c152



4x 8x50sxi

[cm] W1

vinci
play



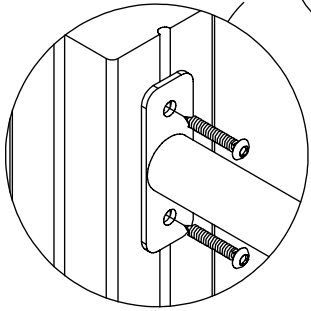
141426
x2



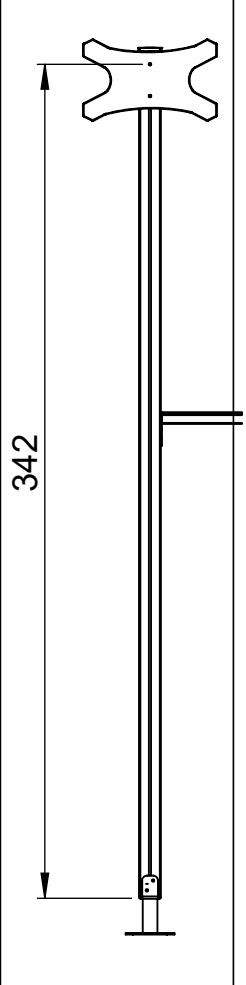
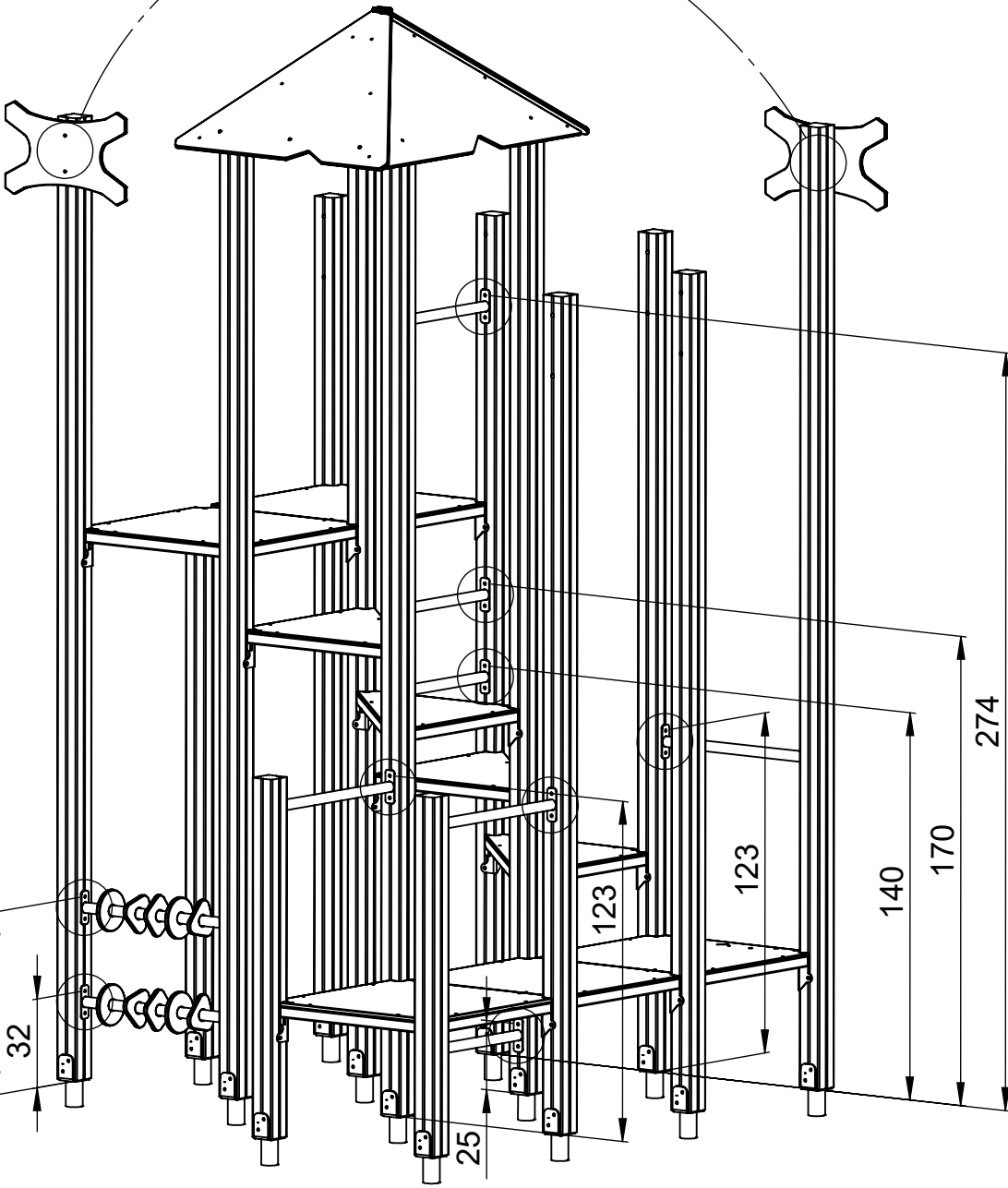
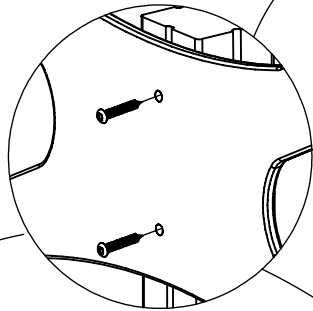
144126
x2



142117
x7

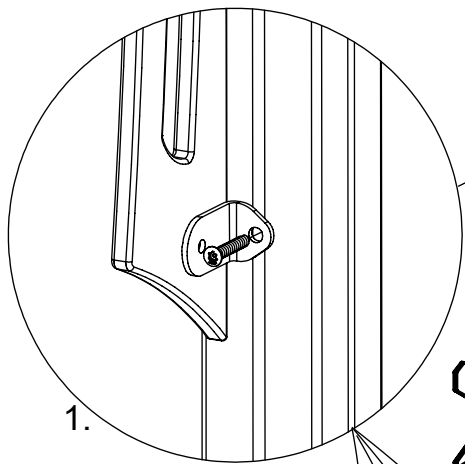


36x 8x50sxi



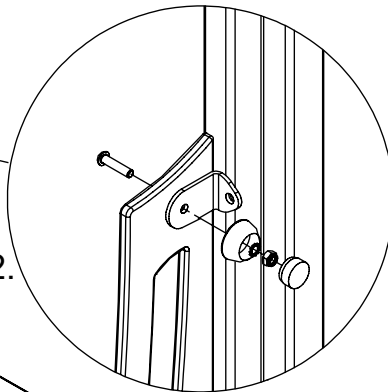
[cm] W1

vinci
play



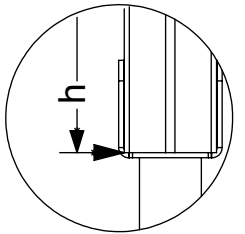
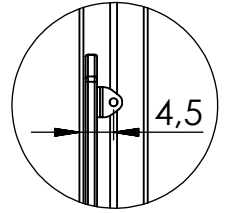
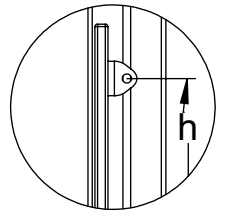
1.

8x 8x50 sxi



2.

2x c002



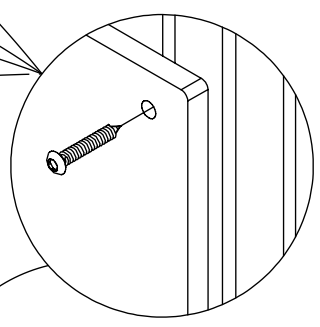
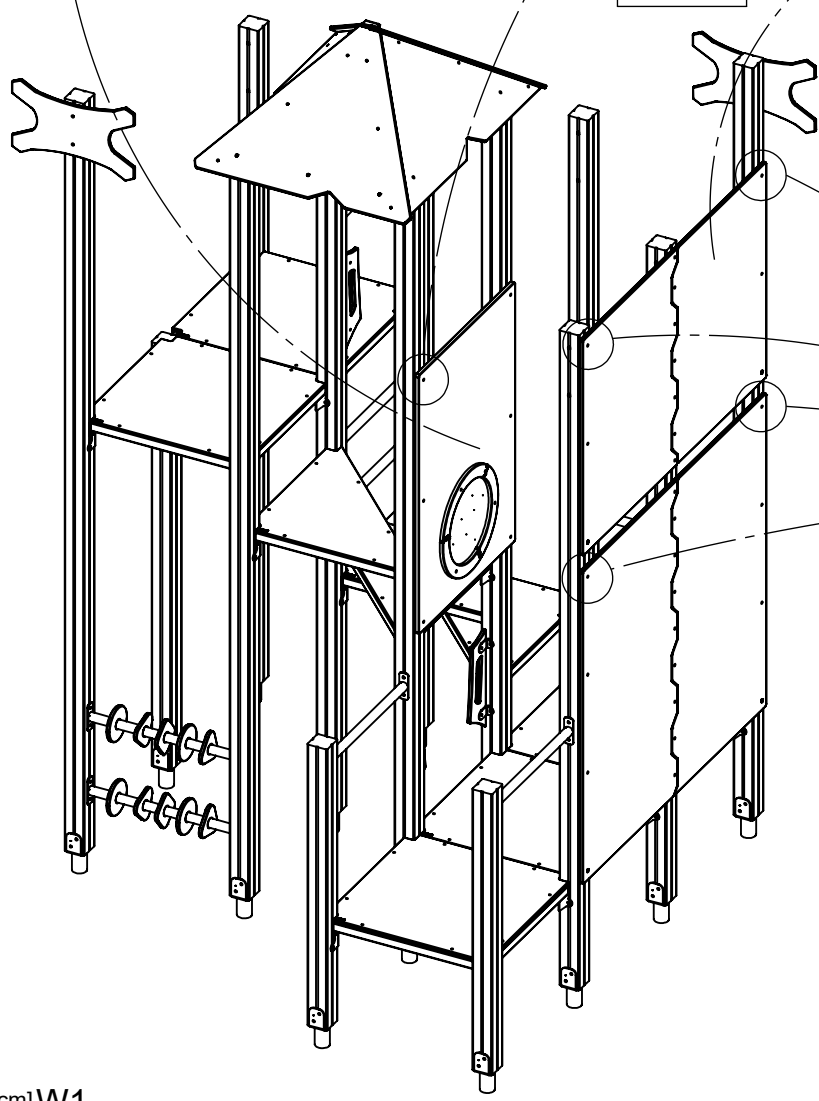
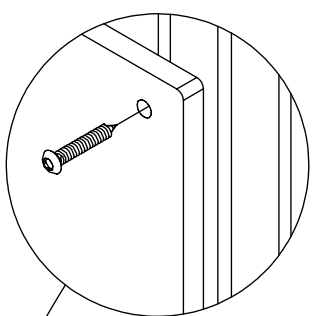
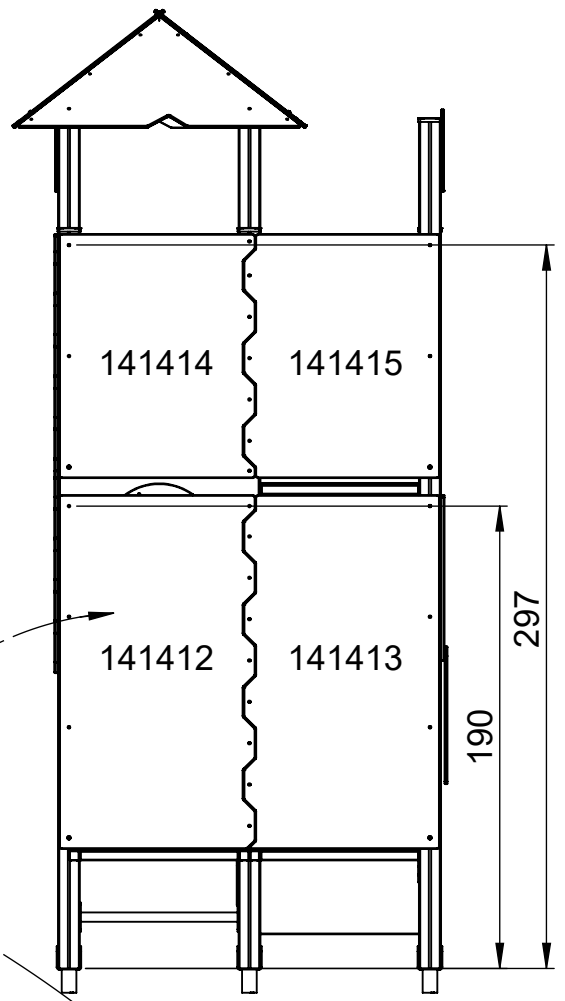
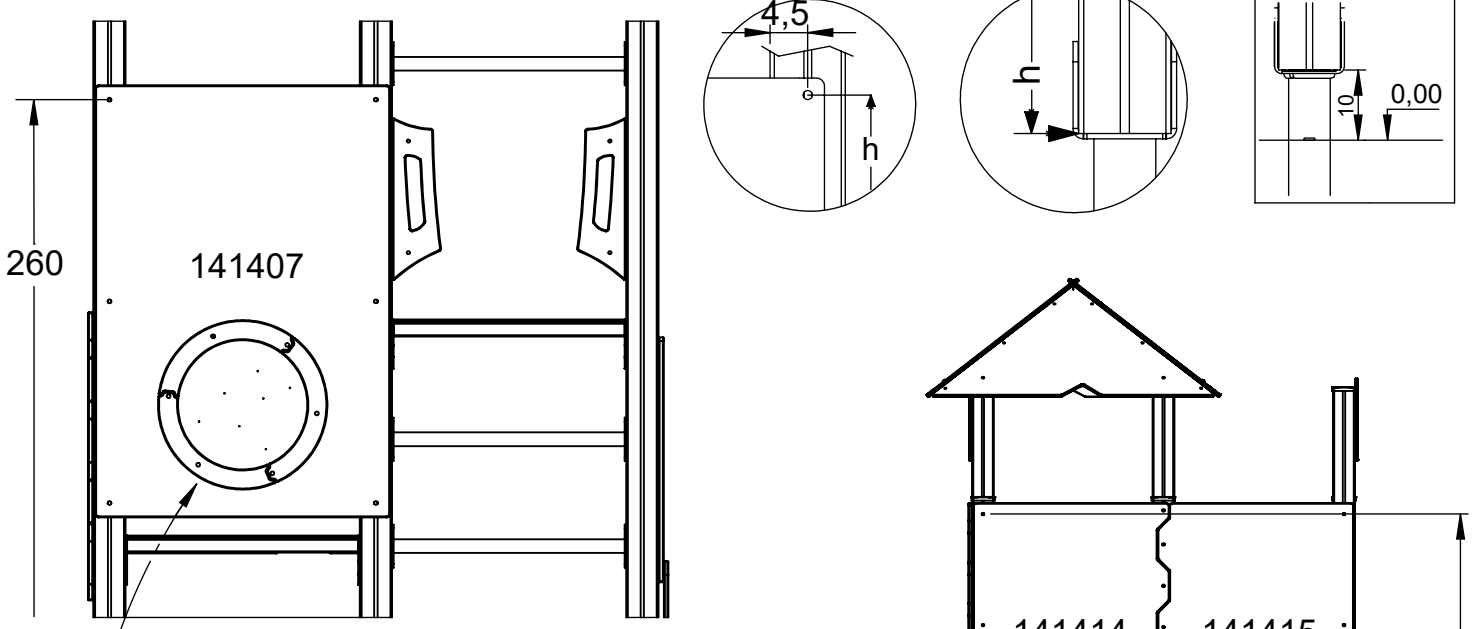
171137
x4

249

99

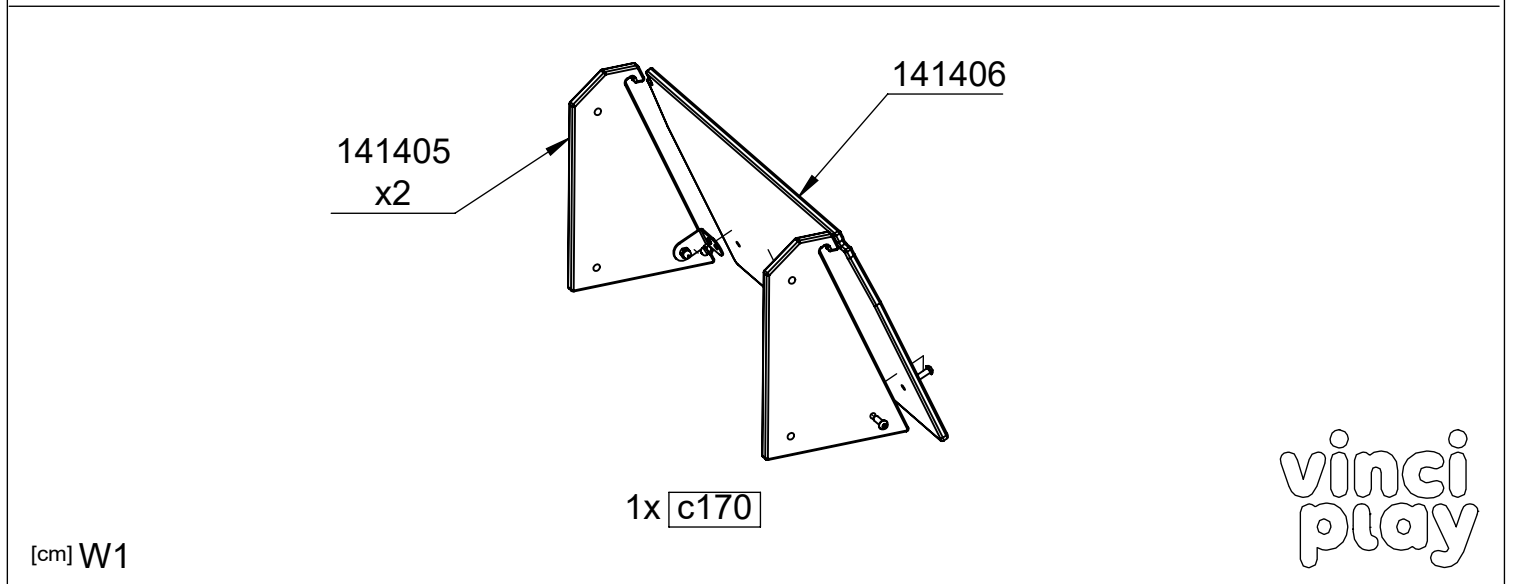
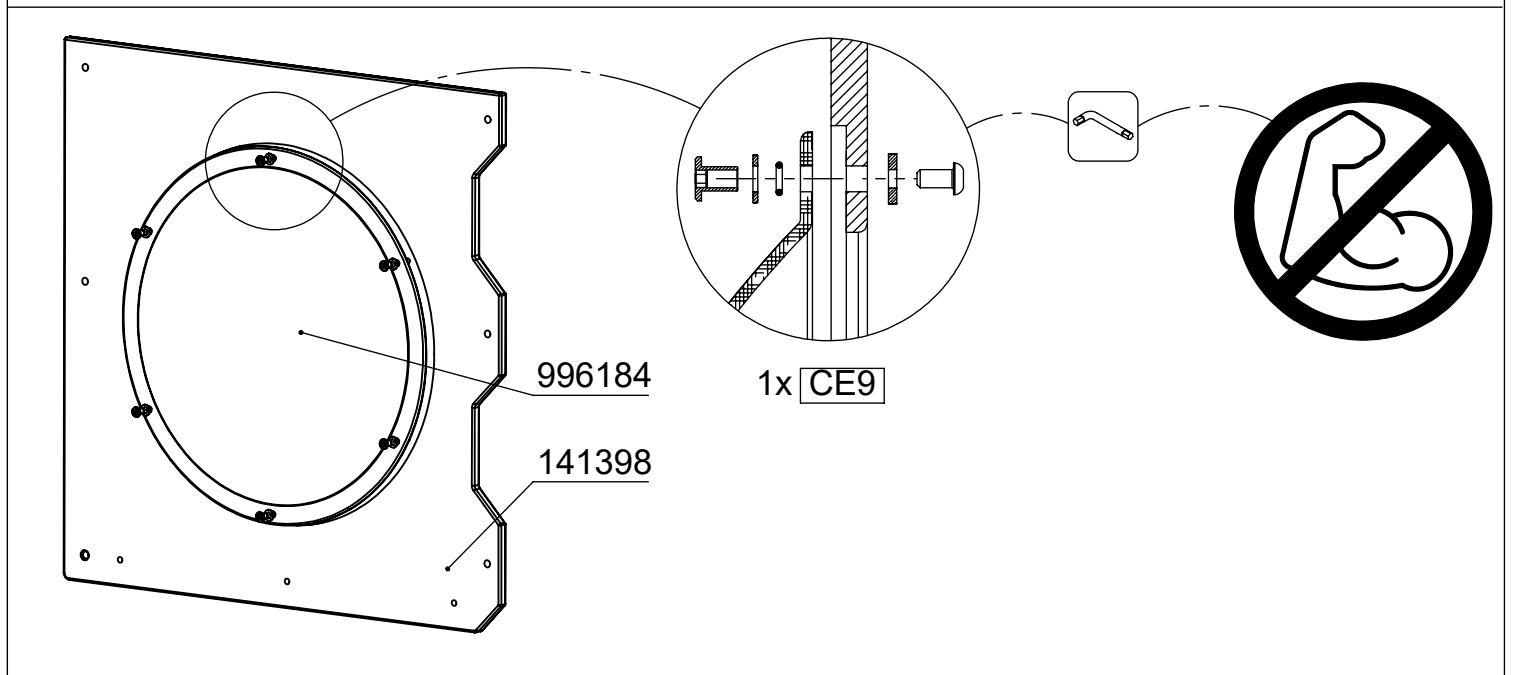
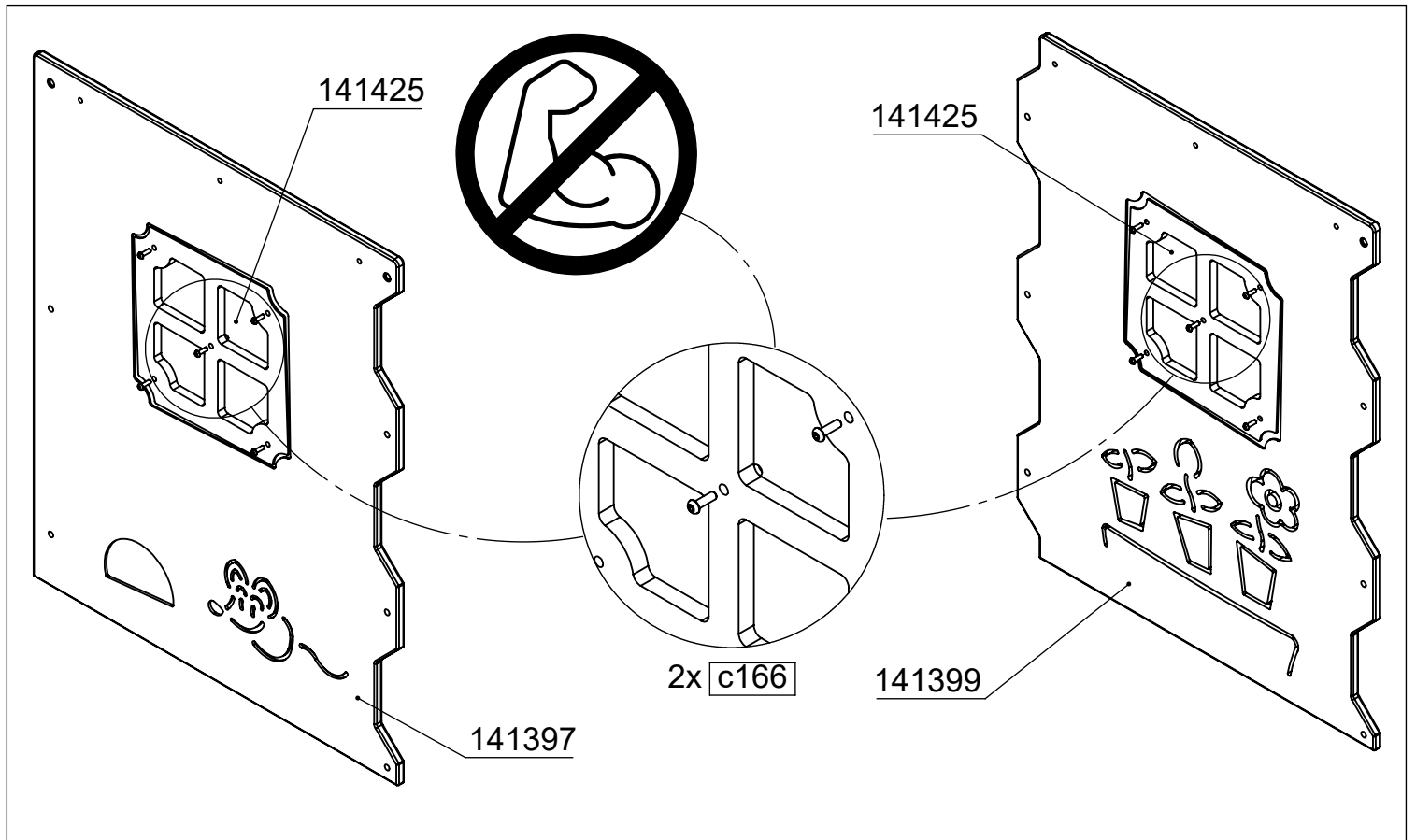
[cm] W1

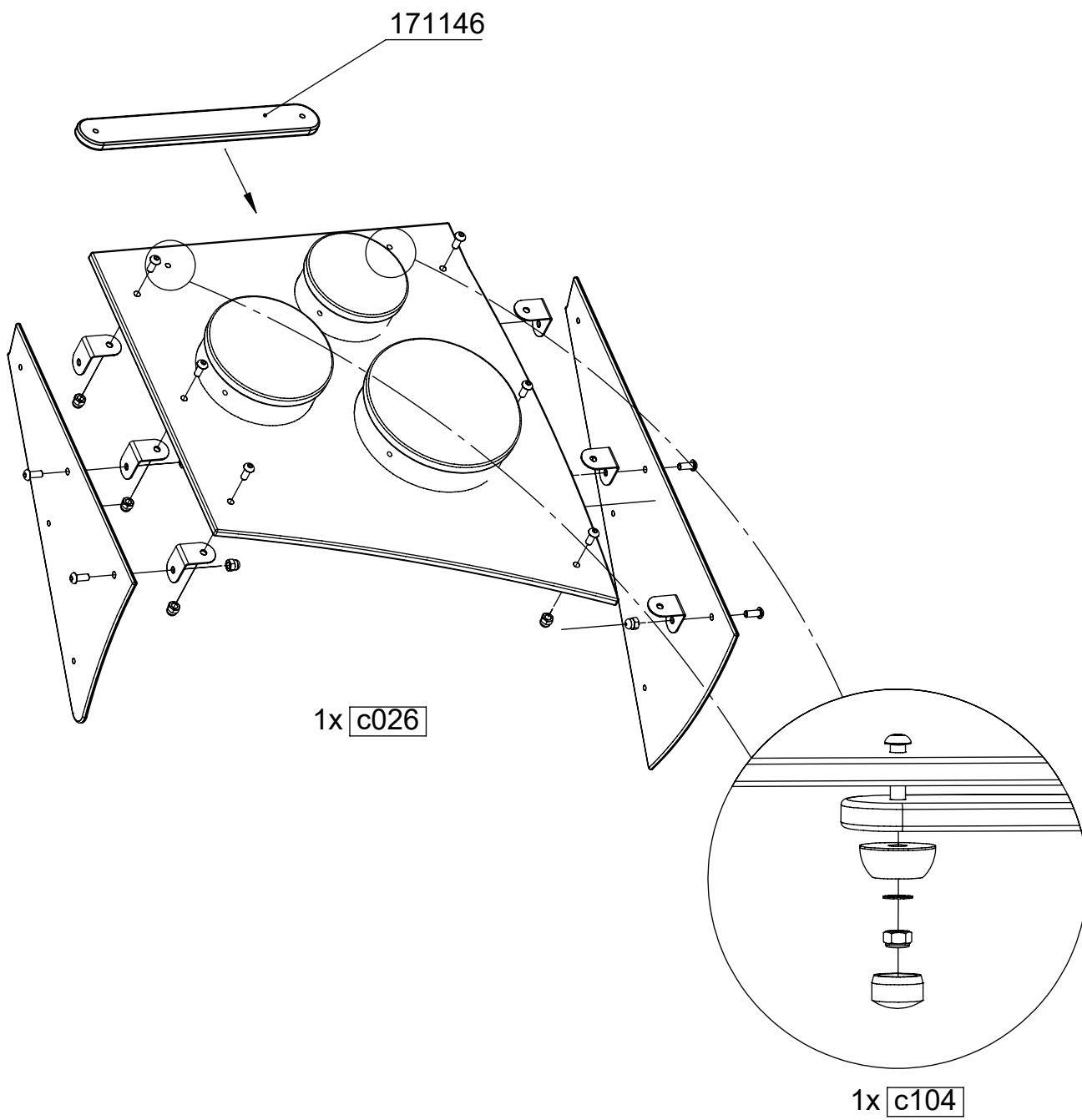
vinci
play

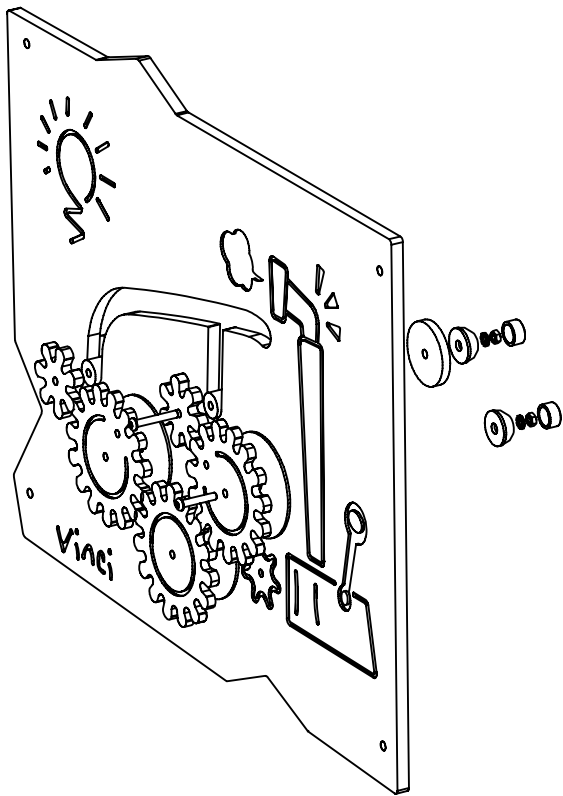


[cm]W1

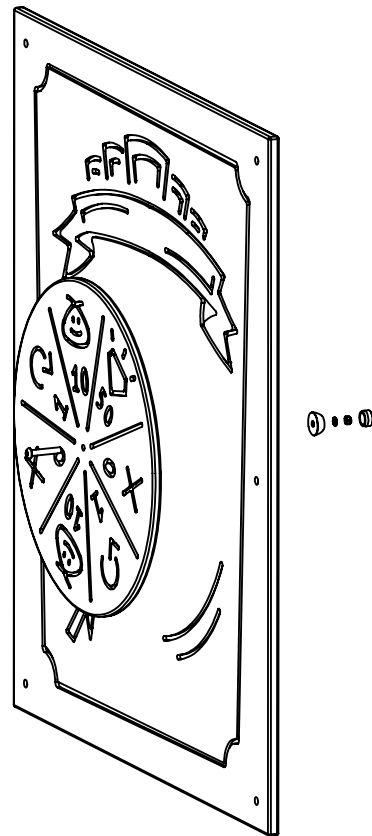
vinci
play



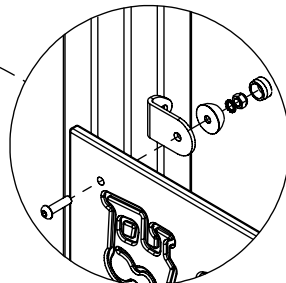
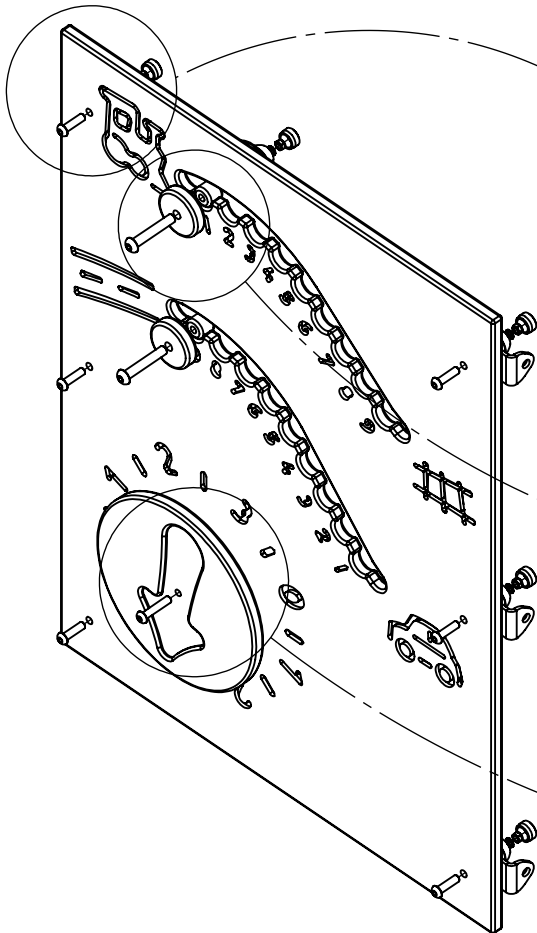




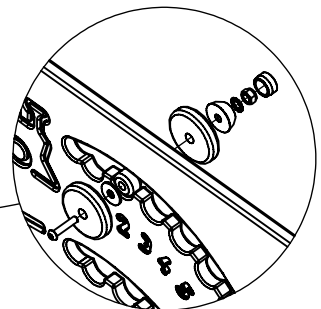
1x ^{HDPE}WD19  ^{HPL}WD20



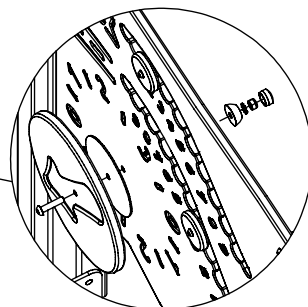
1x ^{HPL}CE11



1x ^{HPL}C113



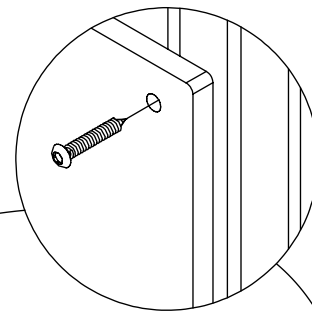
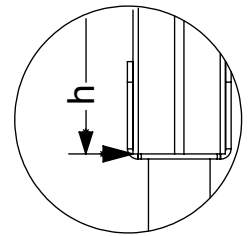
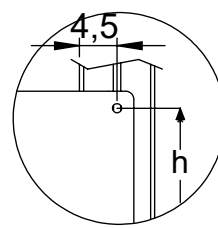
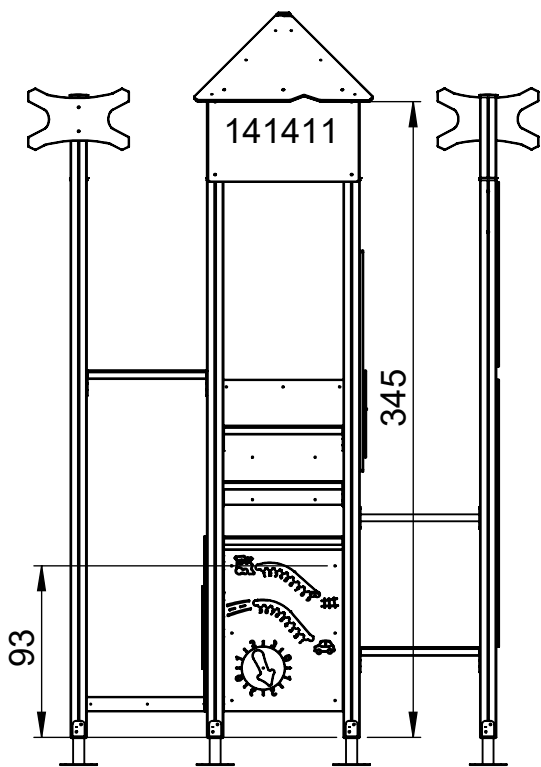
2x ^{HDPE}WE126  ^{HPL}WL126



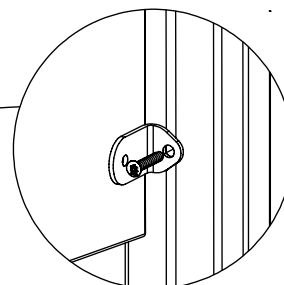
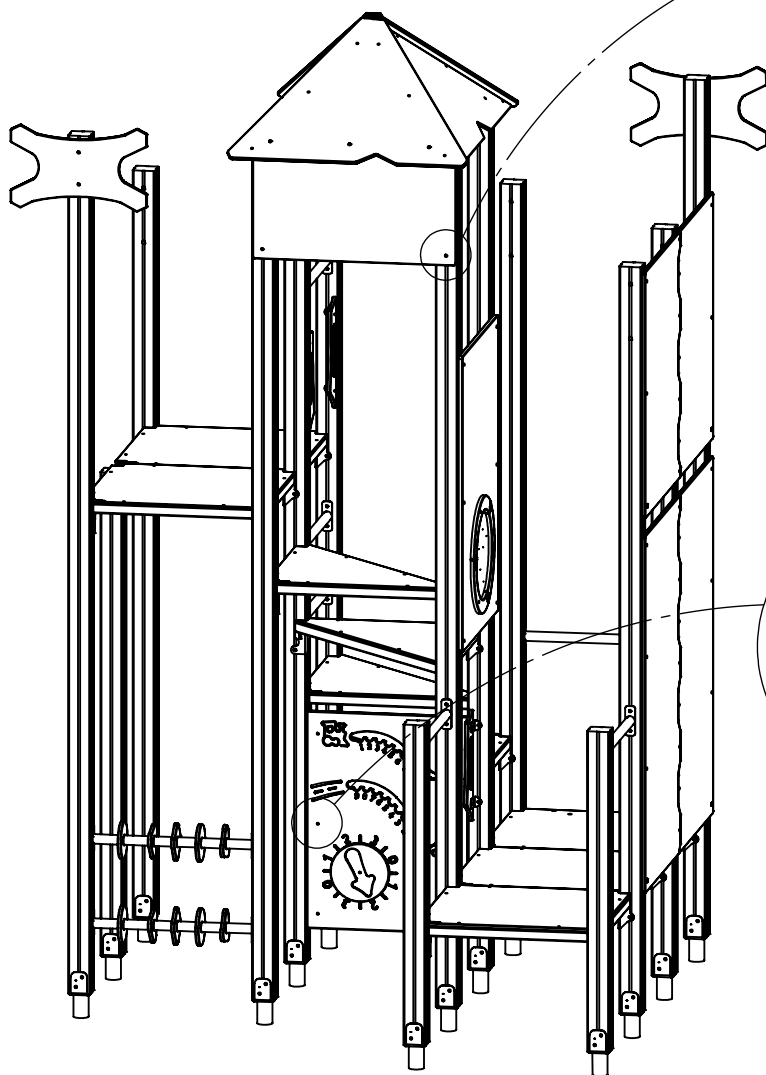
1x ^{HDPE}CE83  ^{HPL}CL83

[cm] W1

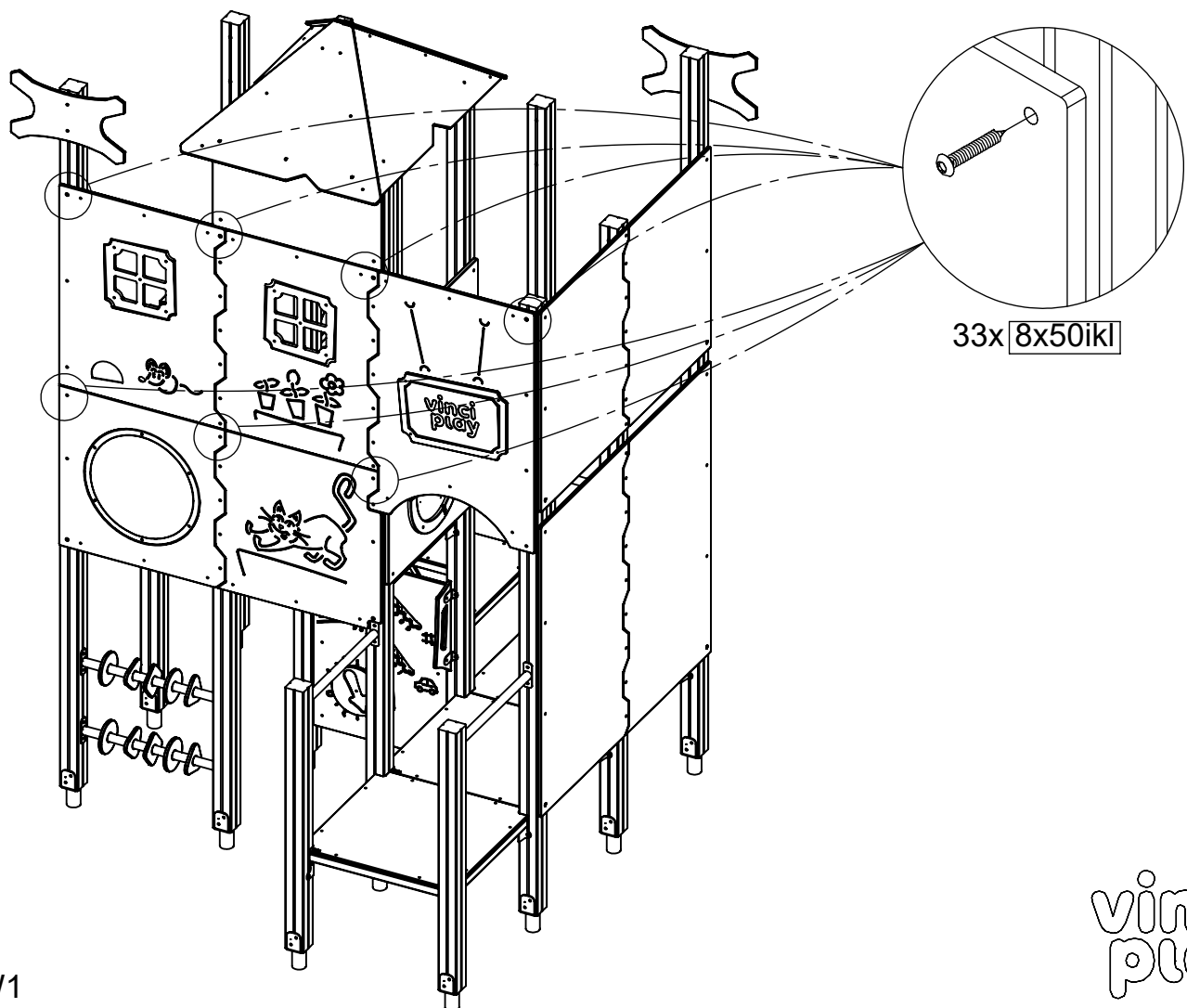
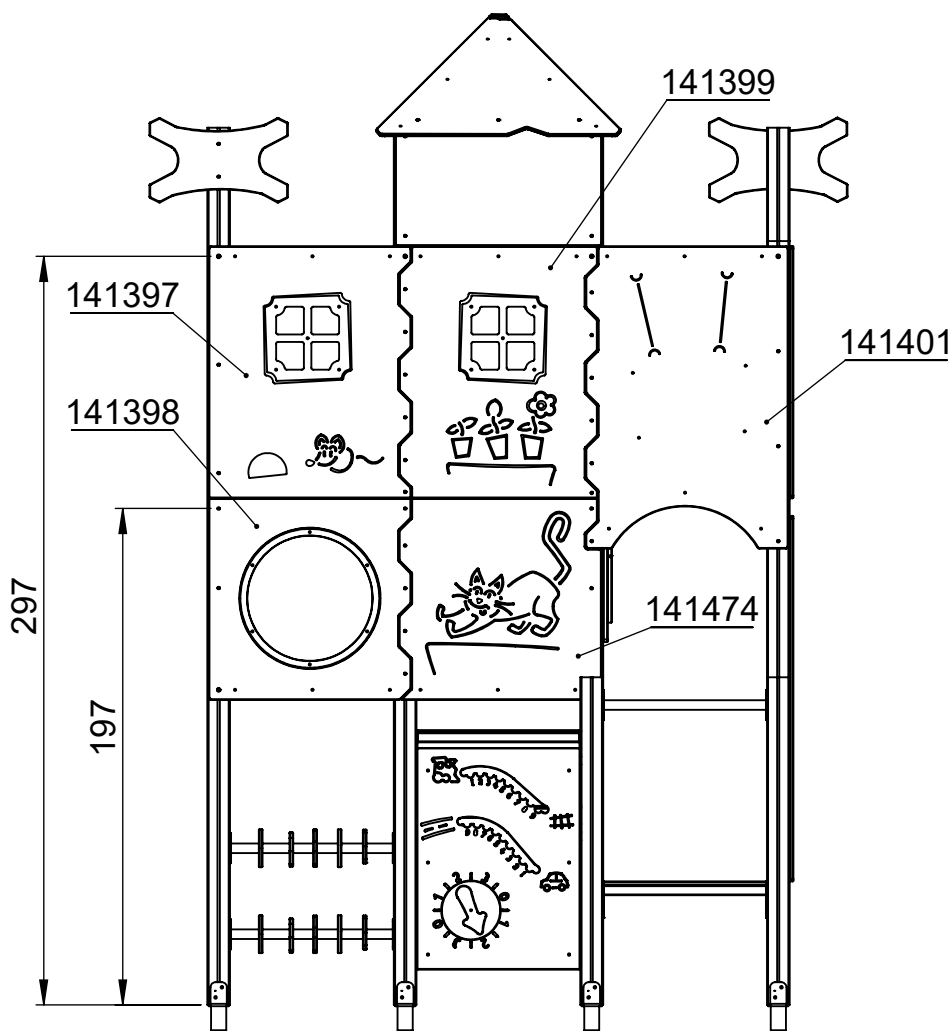
vinci
play

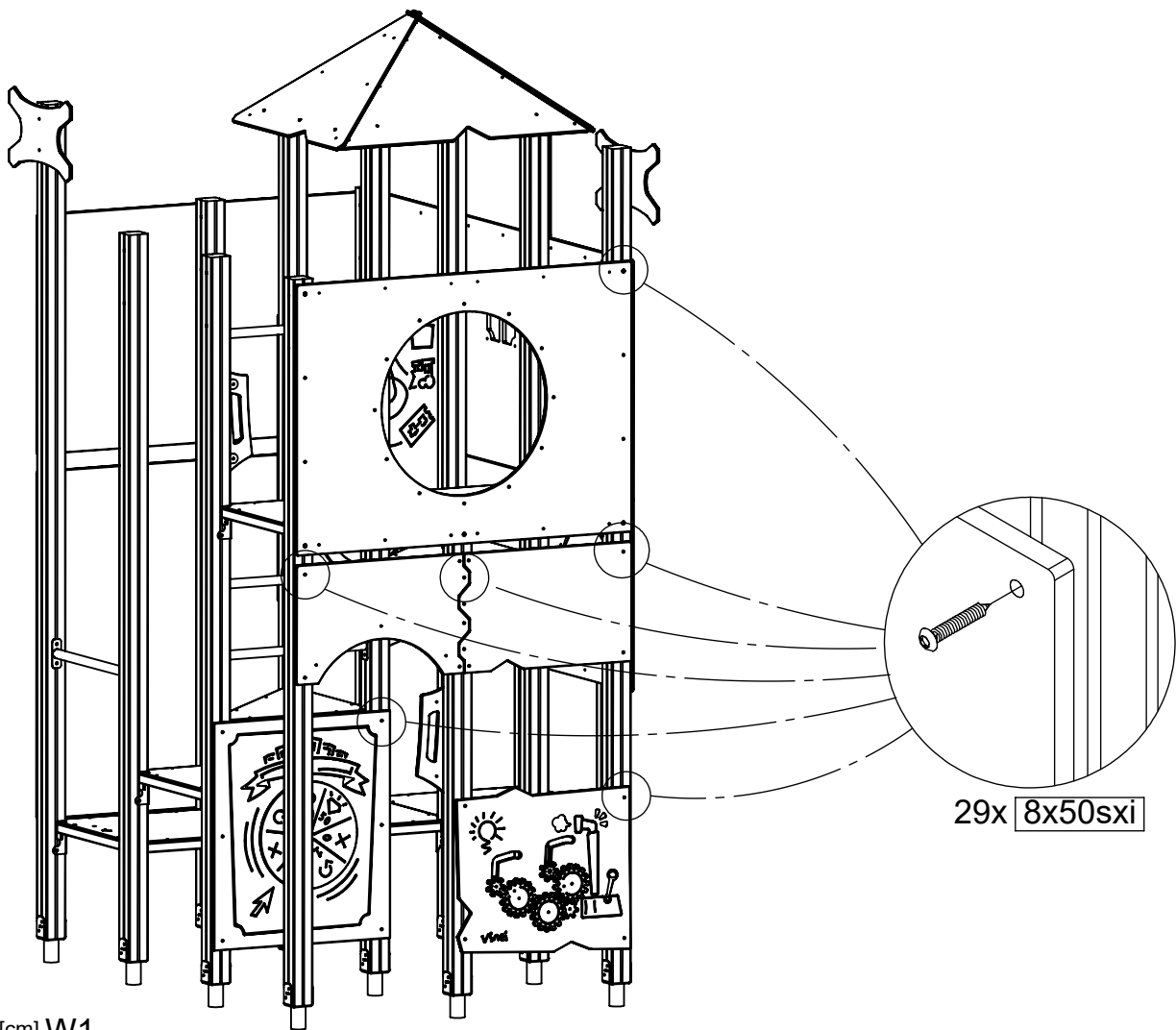
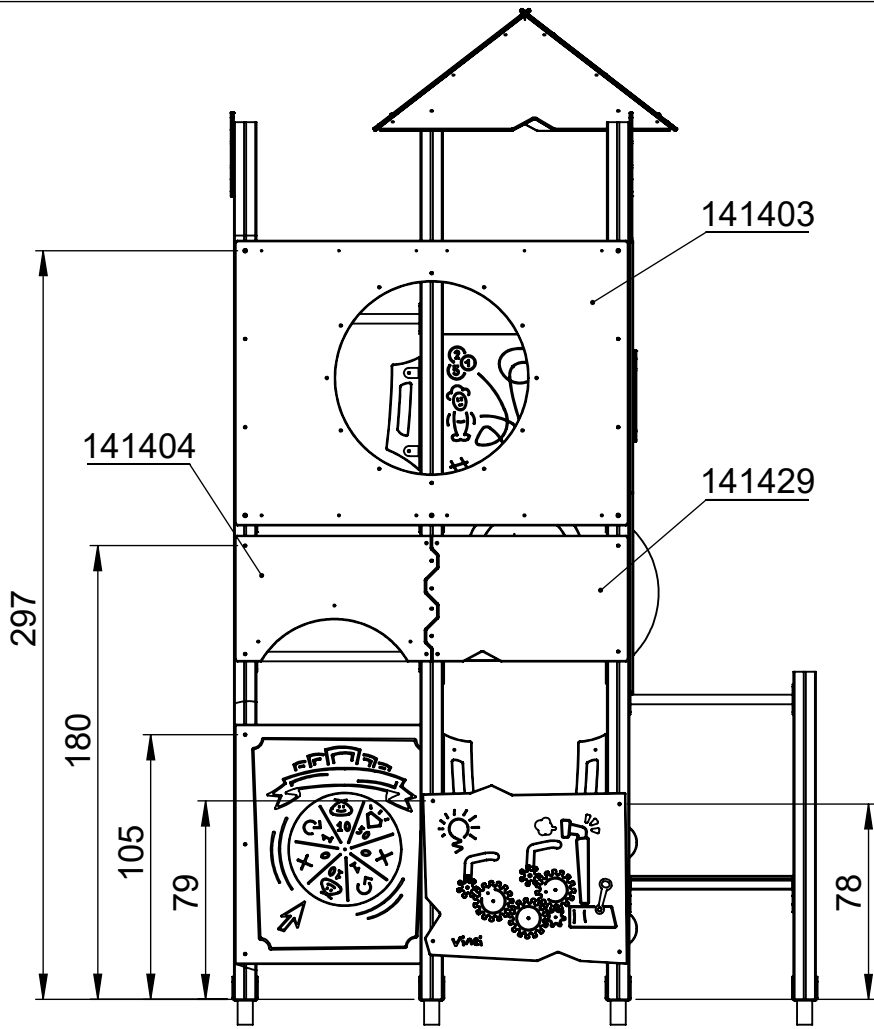


8x 8x50iki



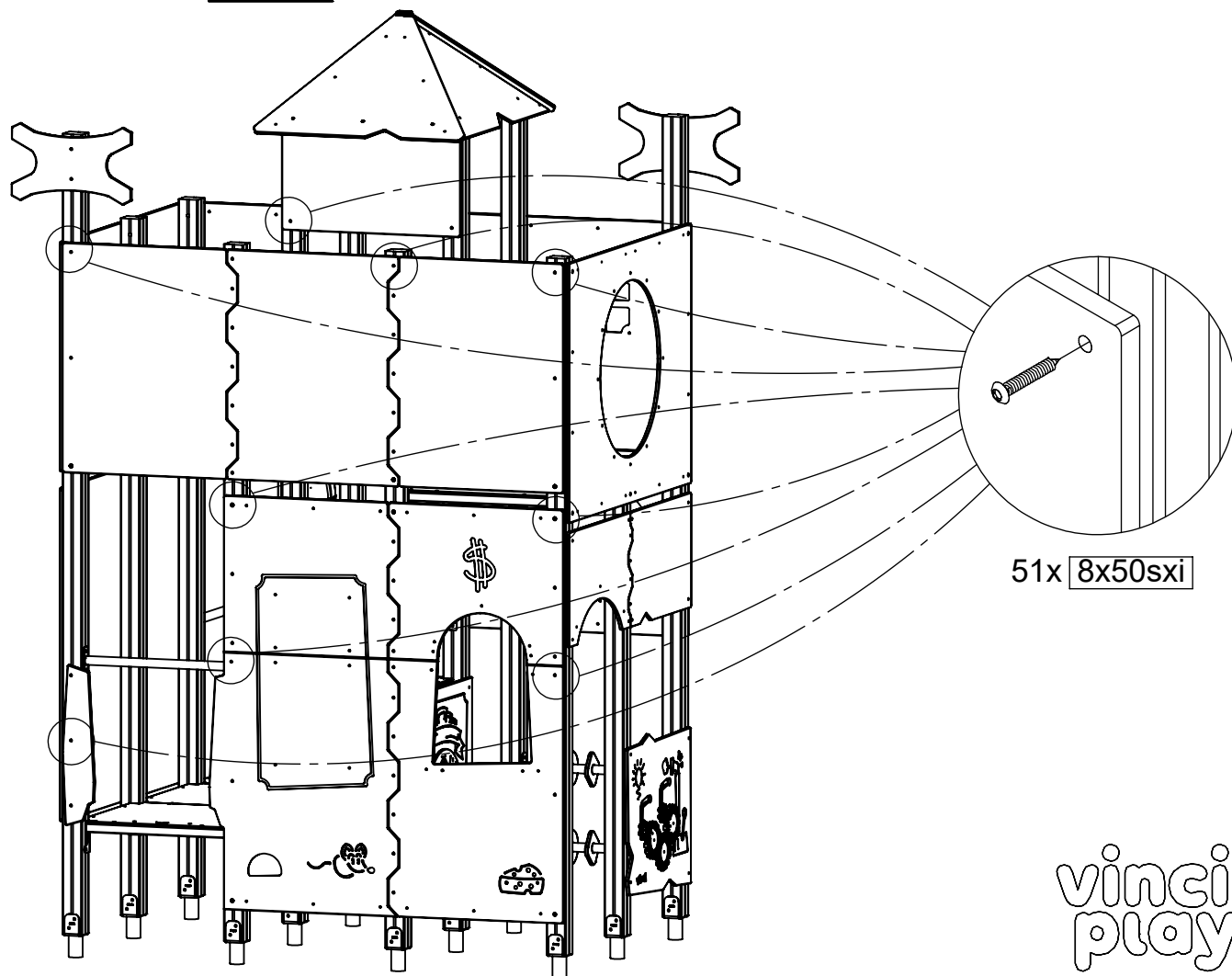
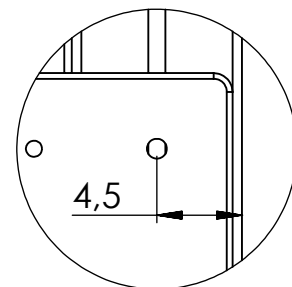
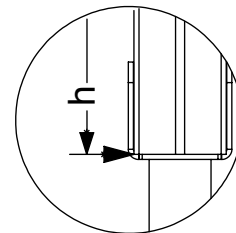
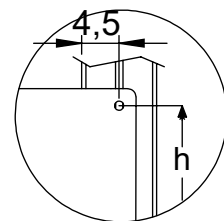
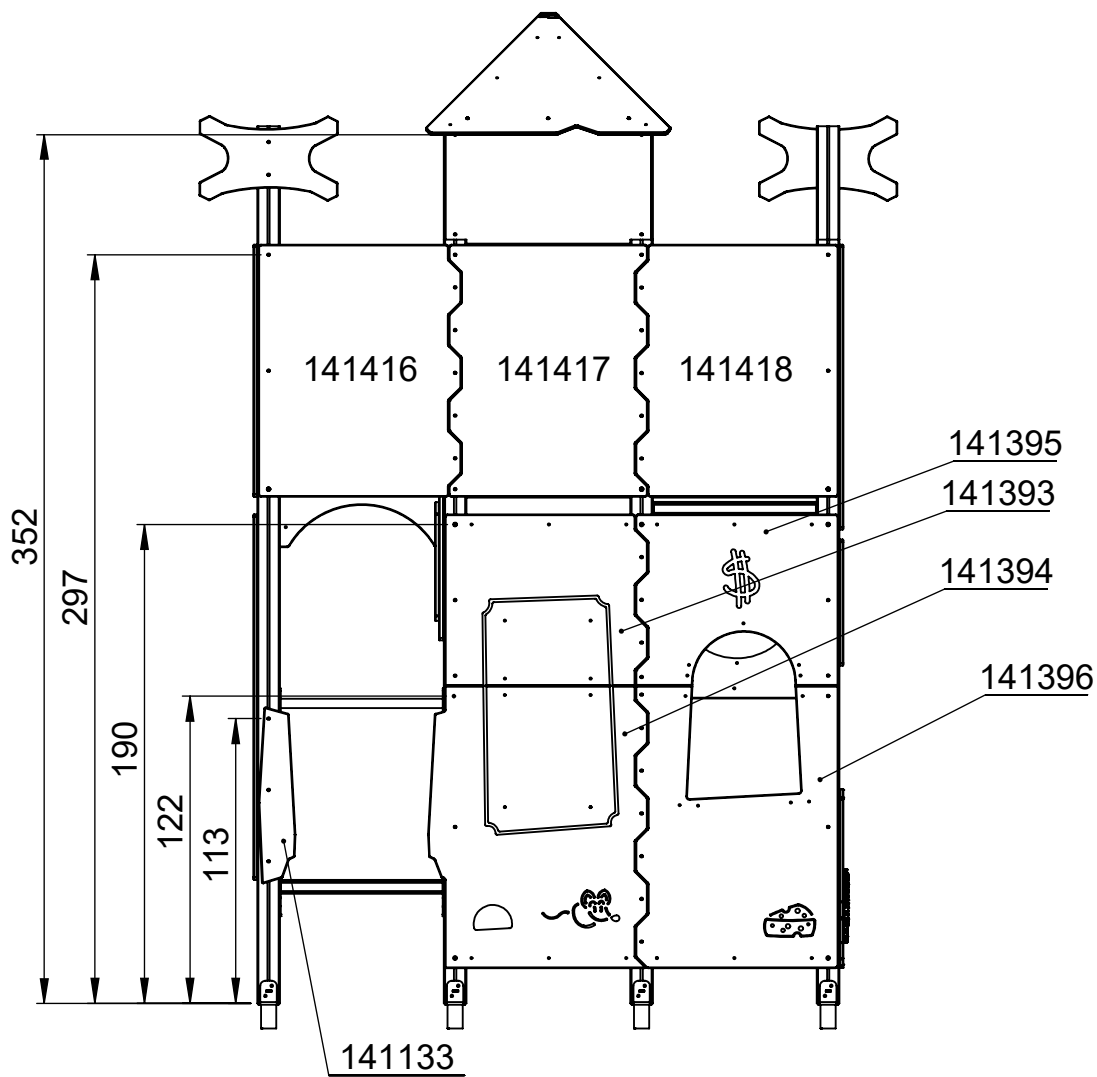
6x 8x50iki

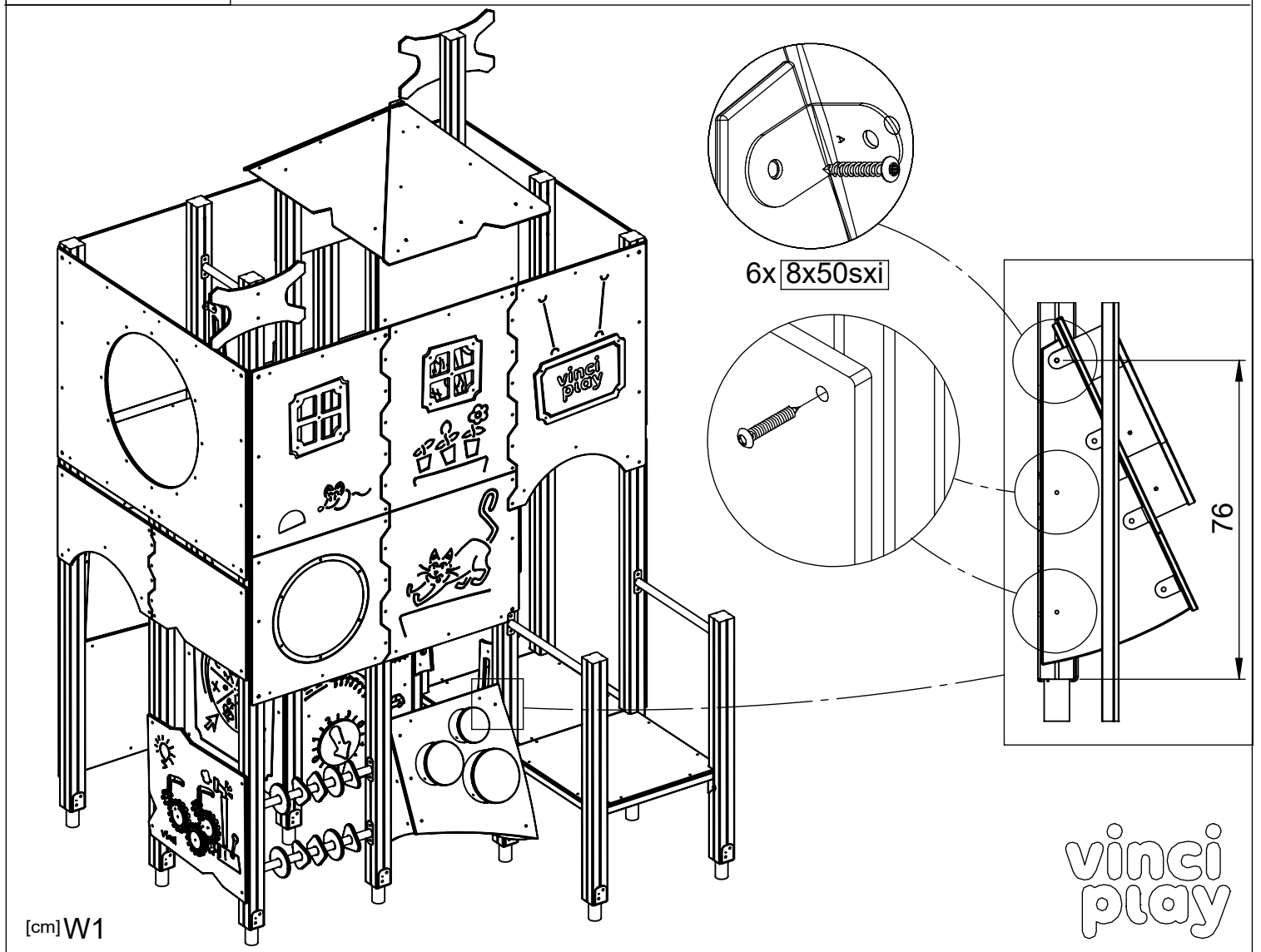
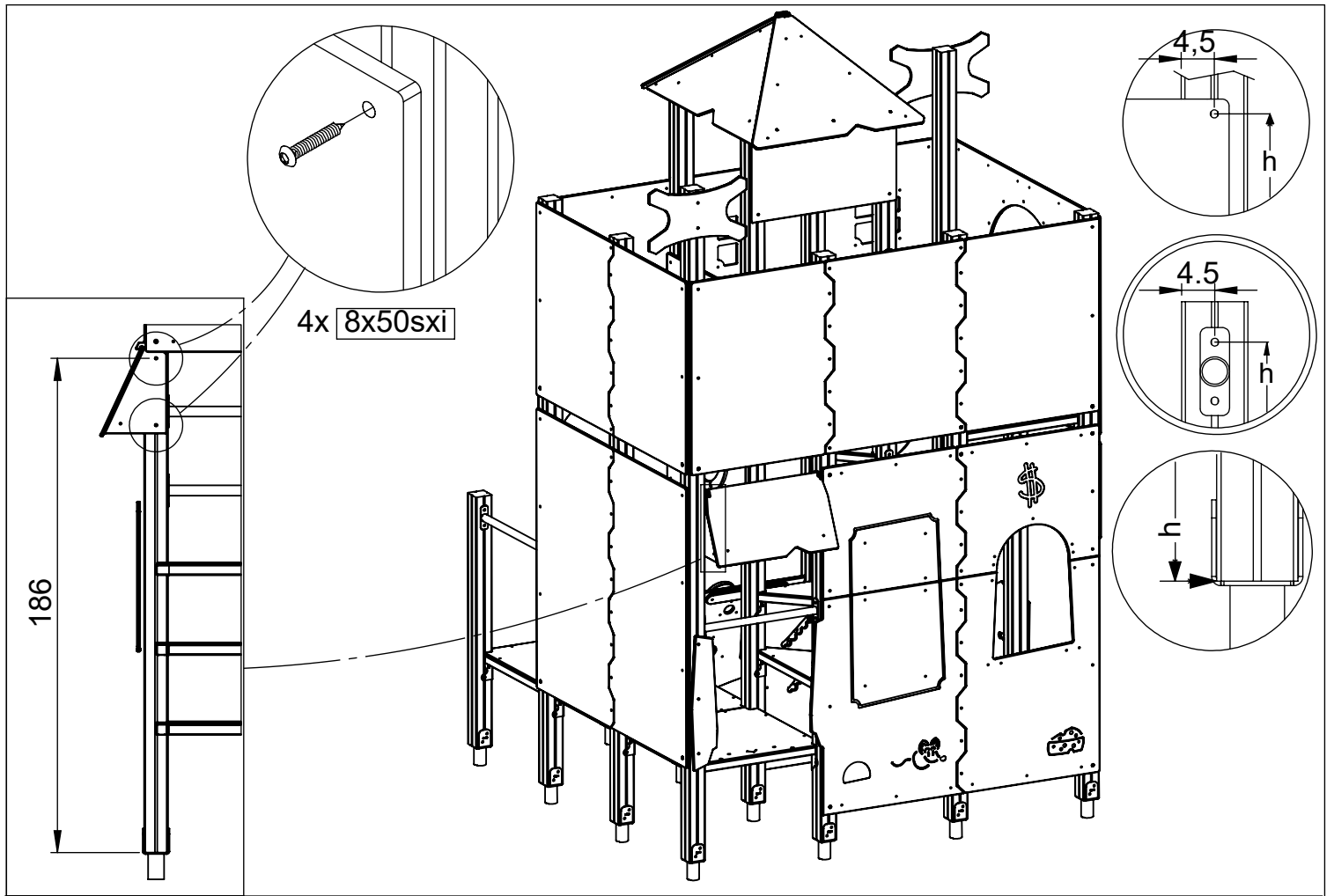




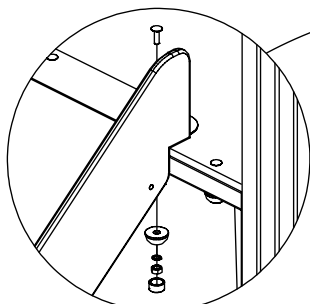
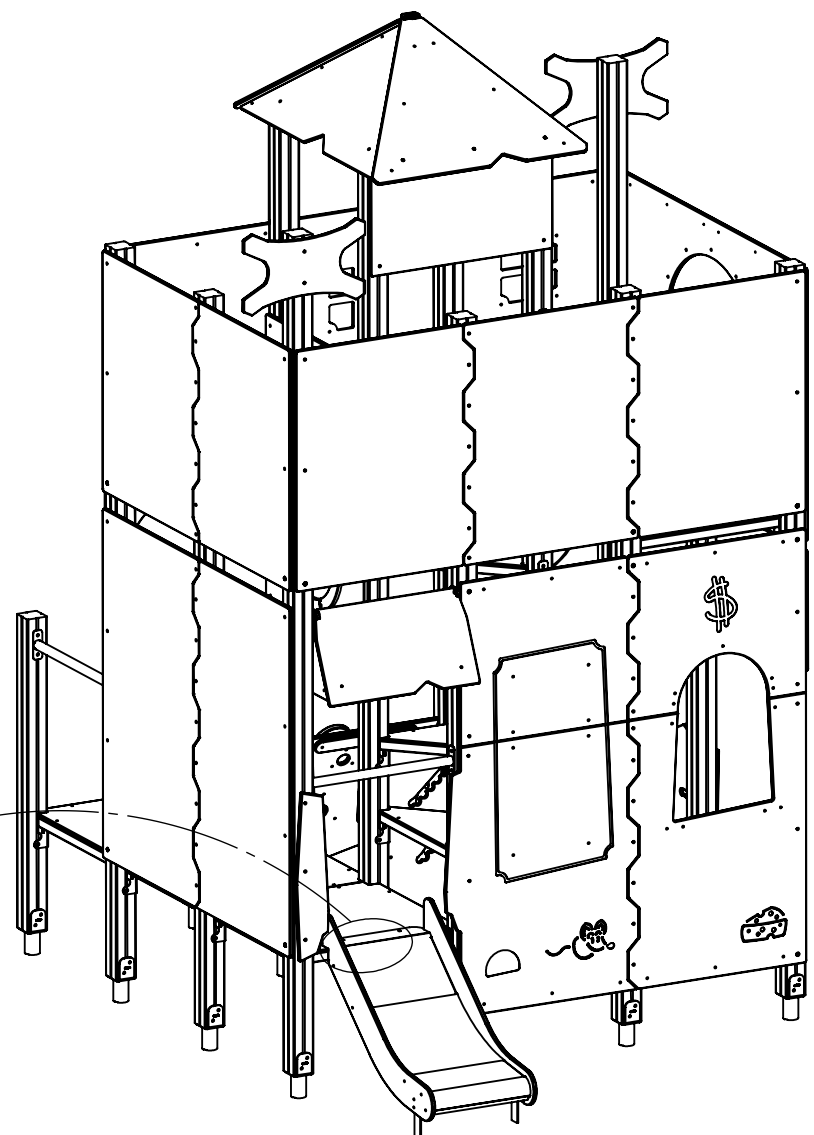
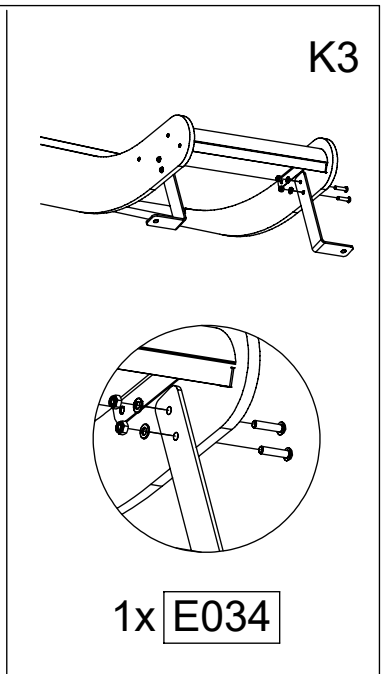
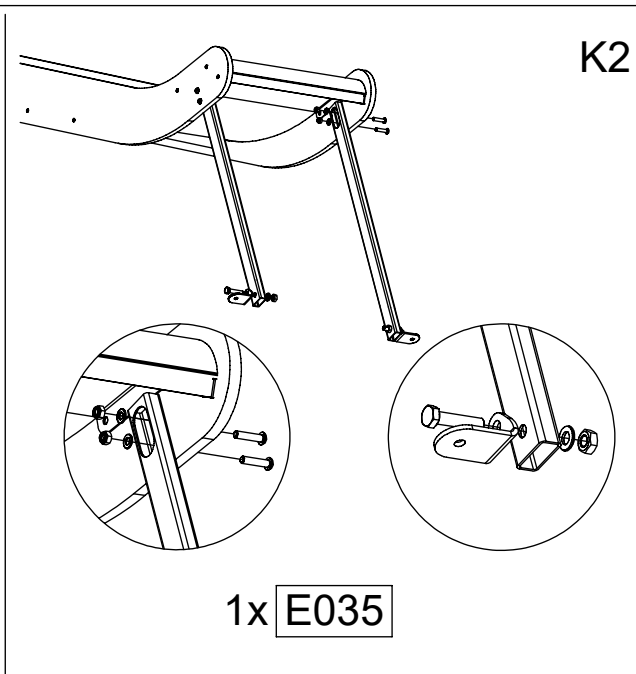
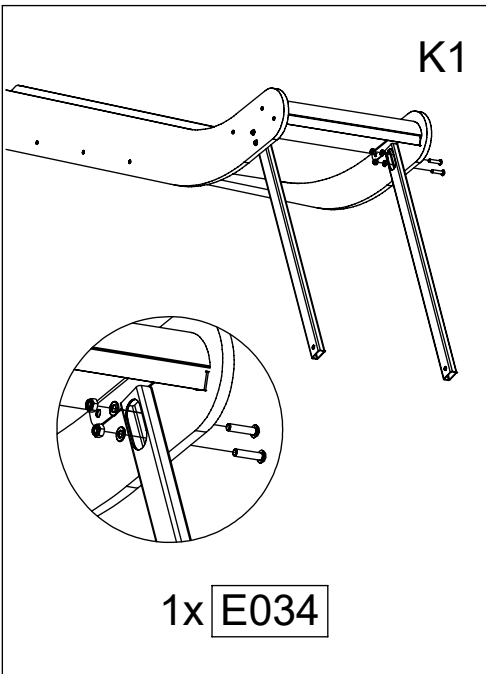
[cm] W1

vinci
play





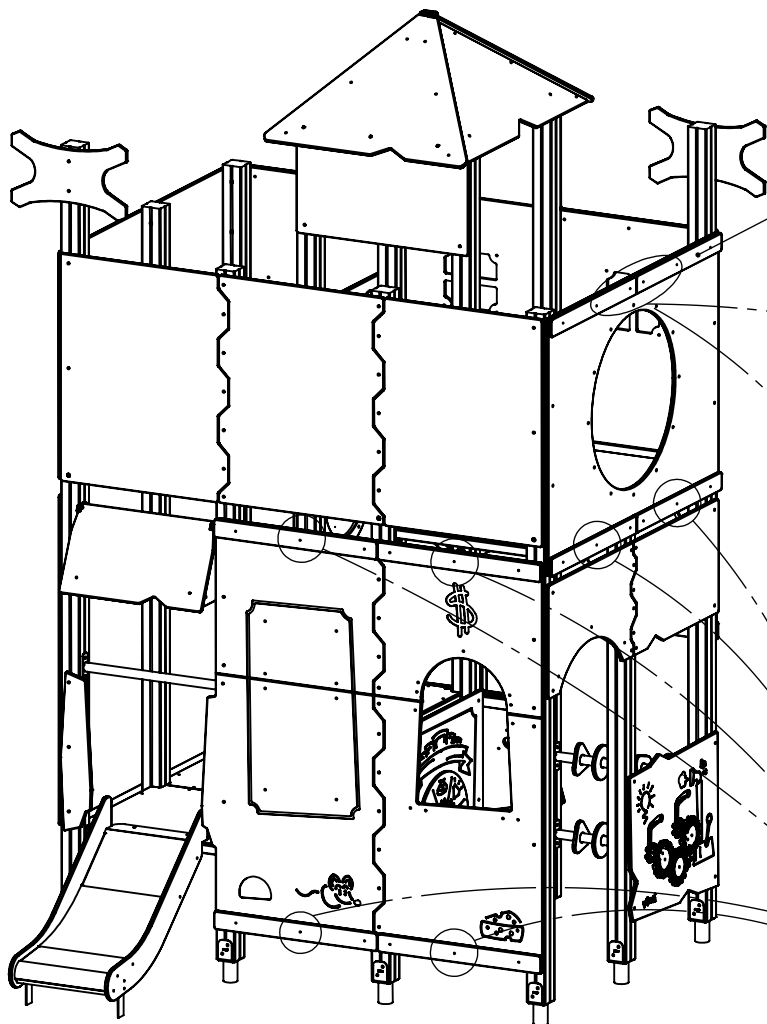
vinci
play



- PLYWOOD HPL
1x WD28 (S1) WD29
- PLYWOOD HPL
1x WD113 (S6) WD114

[cm] W1

vinci
play



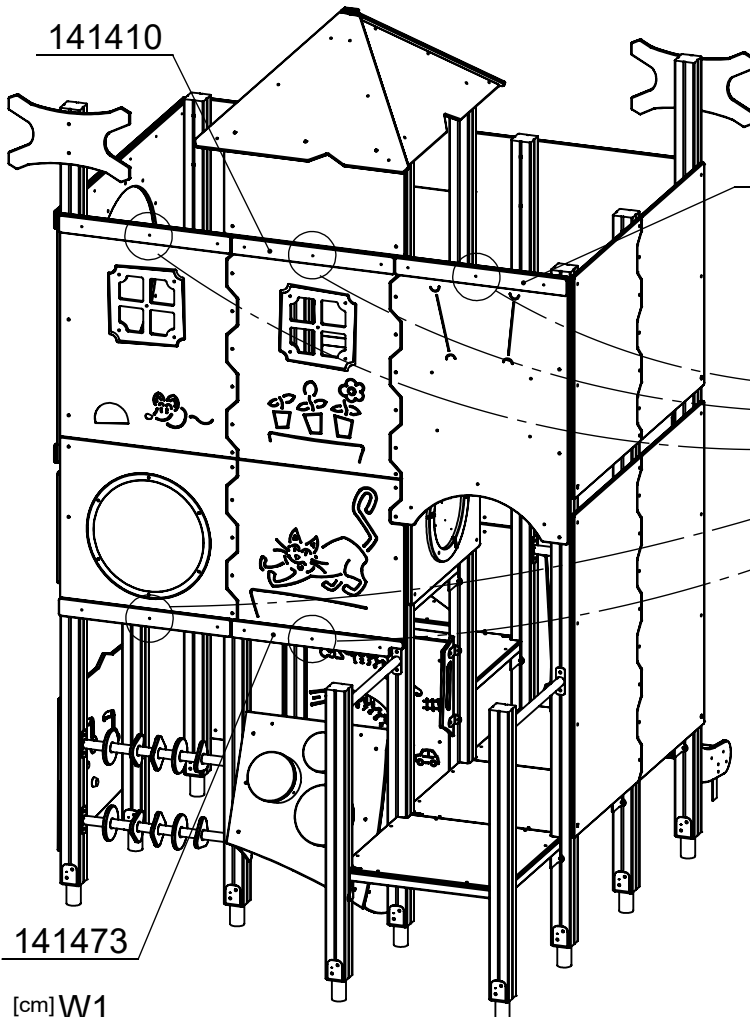
141409
x8

2x 8x50sxi

142188

1x c171

6x c080



141410

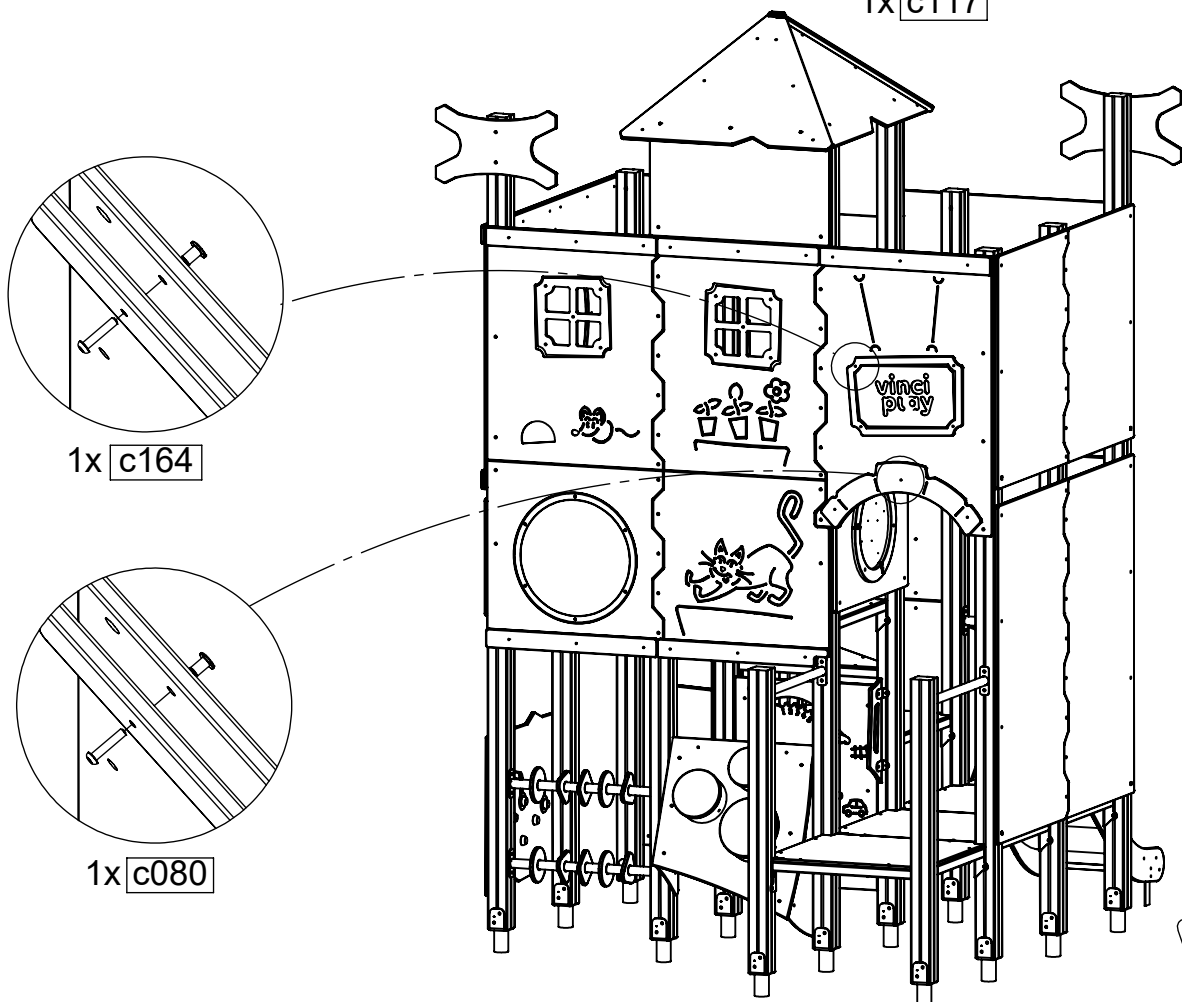
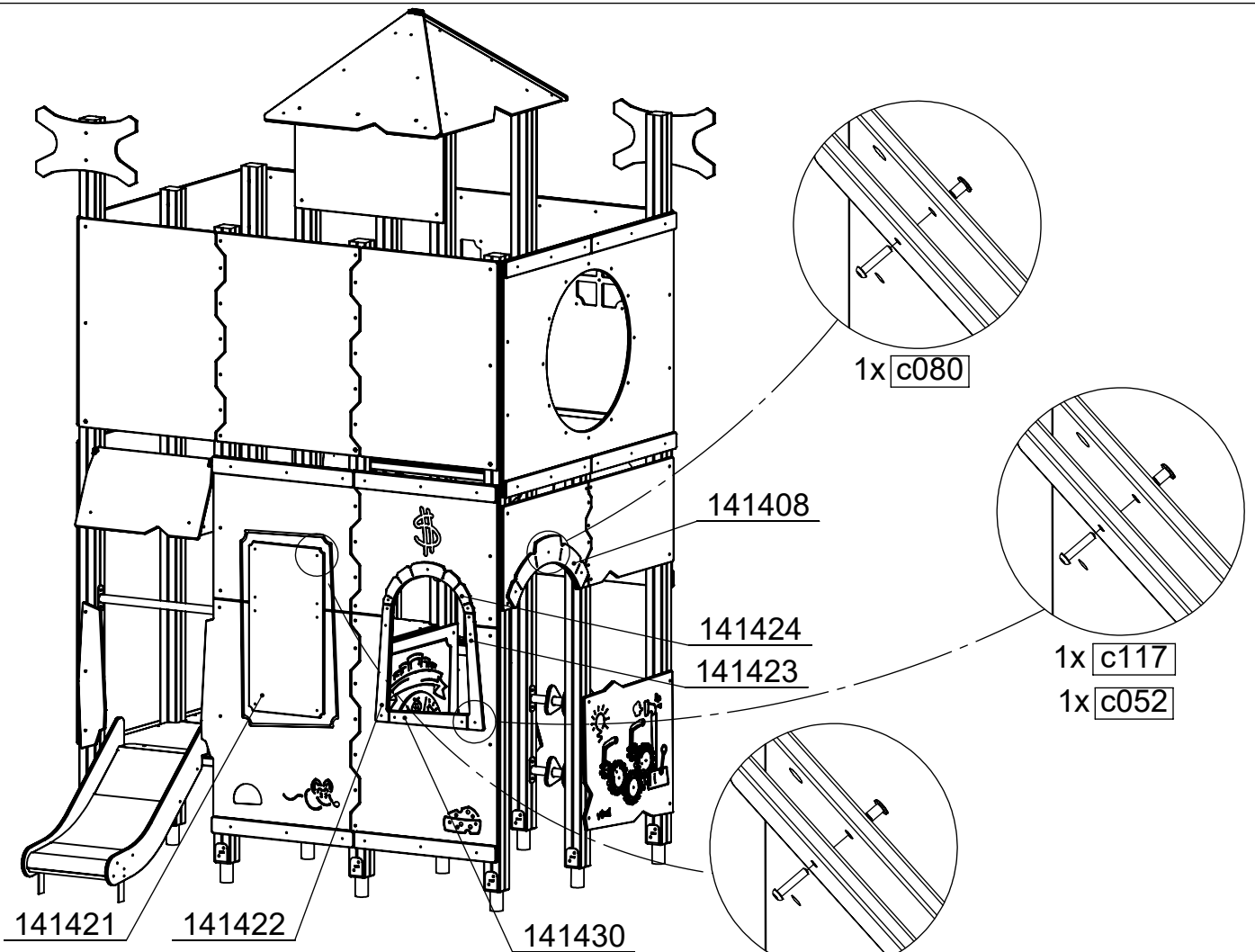
141409
x3

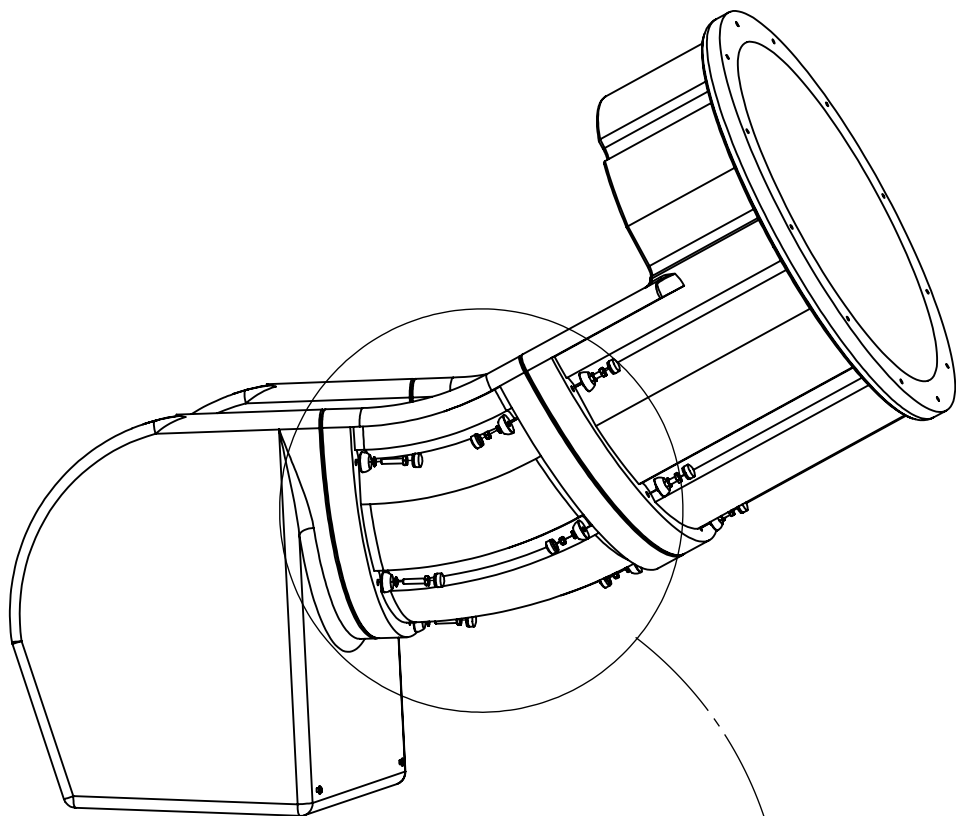
5x c080

141473

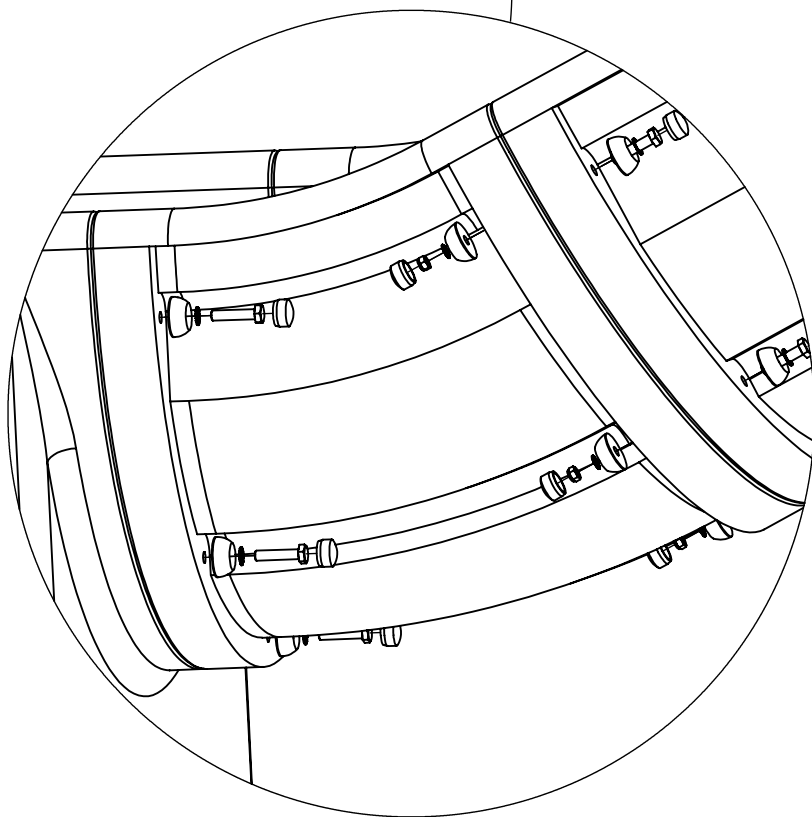
[cm]W1

vinci
play

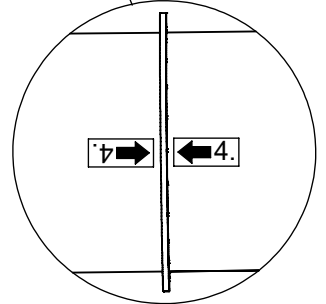
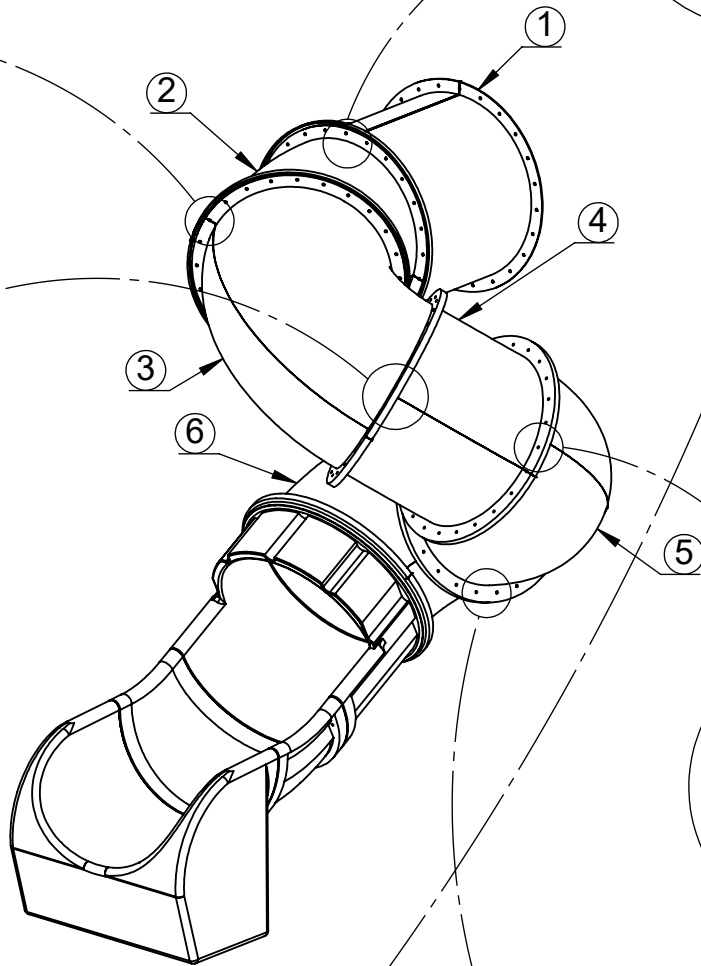
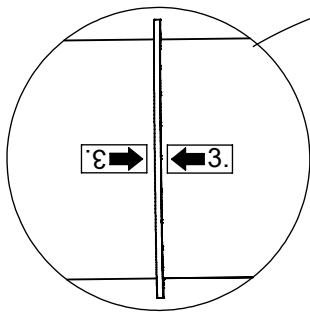
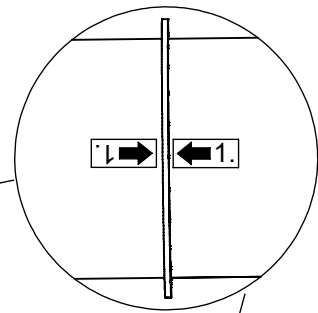
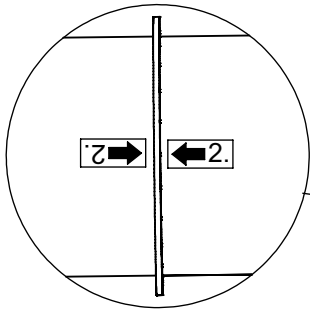




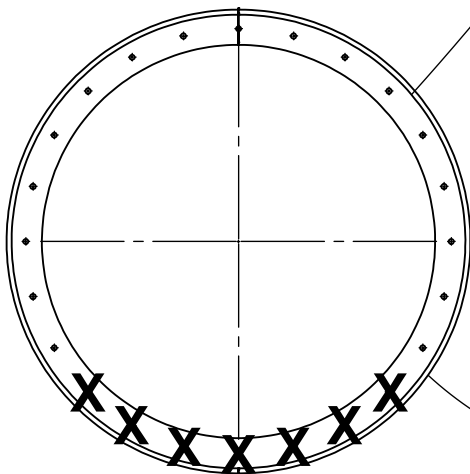
1x 30e092



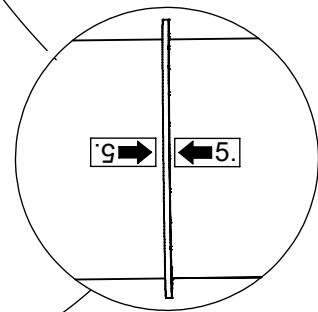
3x 30e090

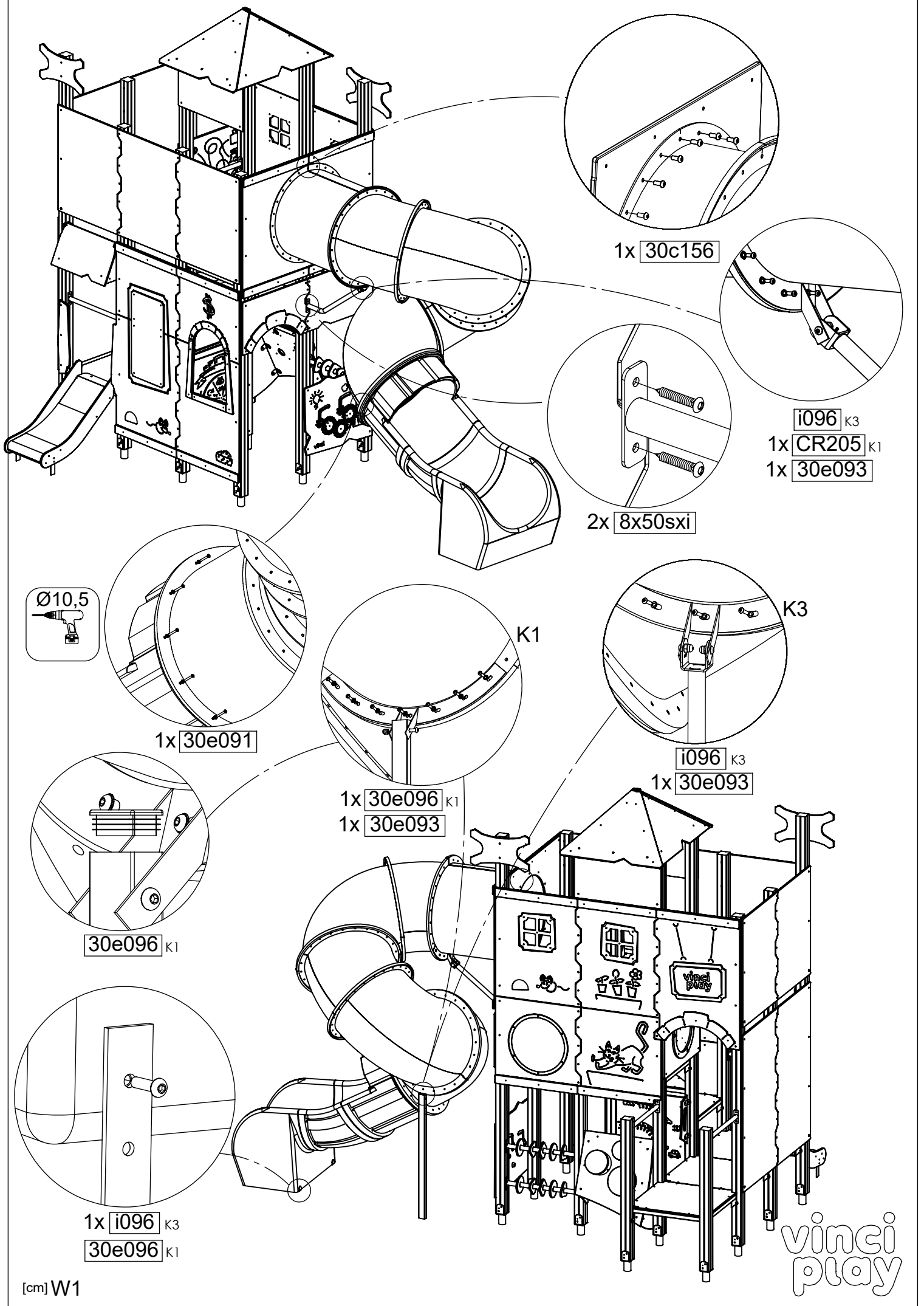


1x 30e095



1x 30e095





1x 30c156

1x i096_{K3}
 1x CR205_{K1}
 1x 30e093

2x 8x50sxi

Ø10,5

1x 30e091

K1

1x 30e096_{K1}
 1x 30e093

K3

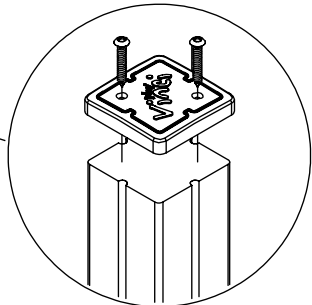
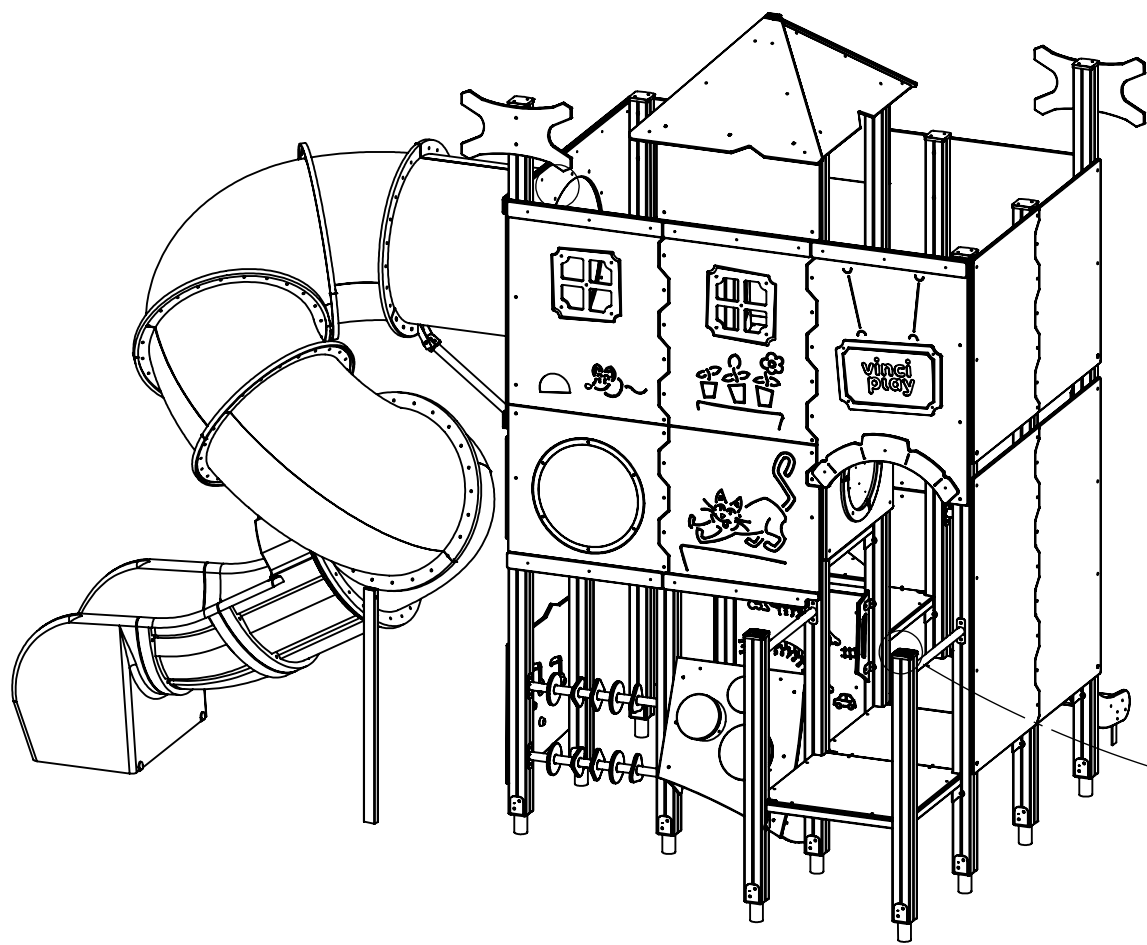
1x i096_{K3}
 1x 30e093

30e096_{K1}

1x i096_{K3}
 1x 30e096_{K1}

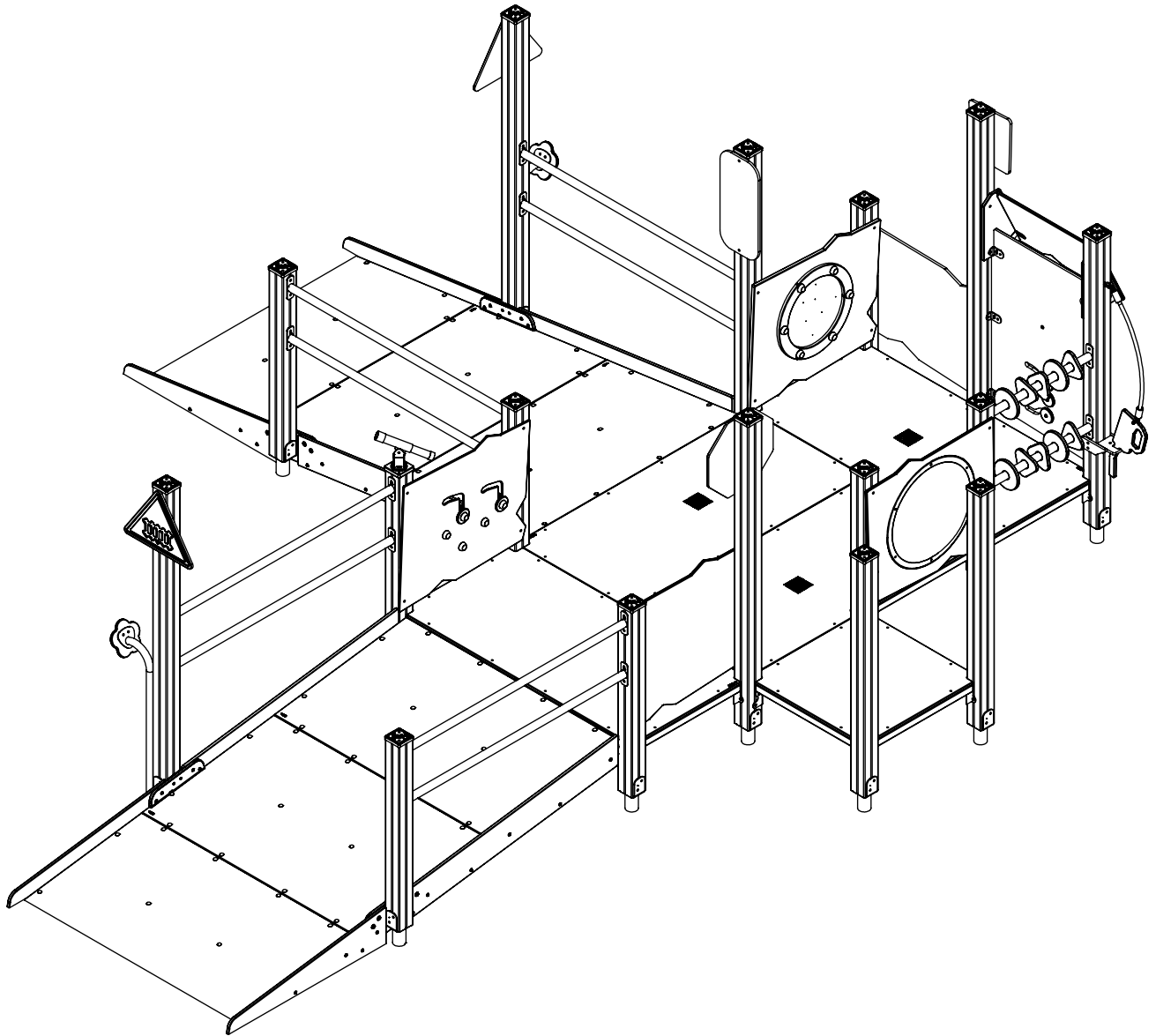
vinci
 play

[cm] W1



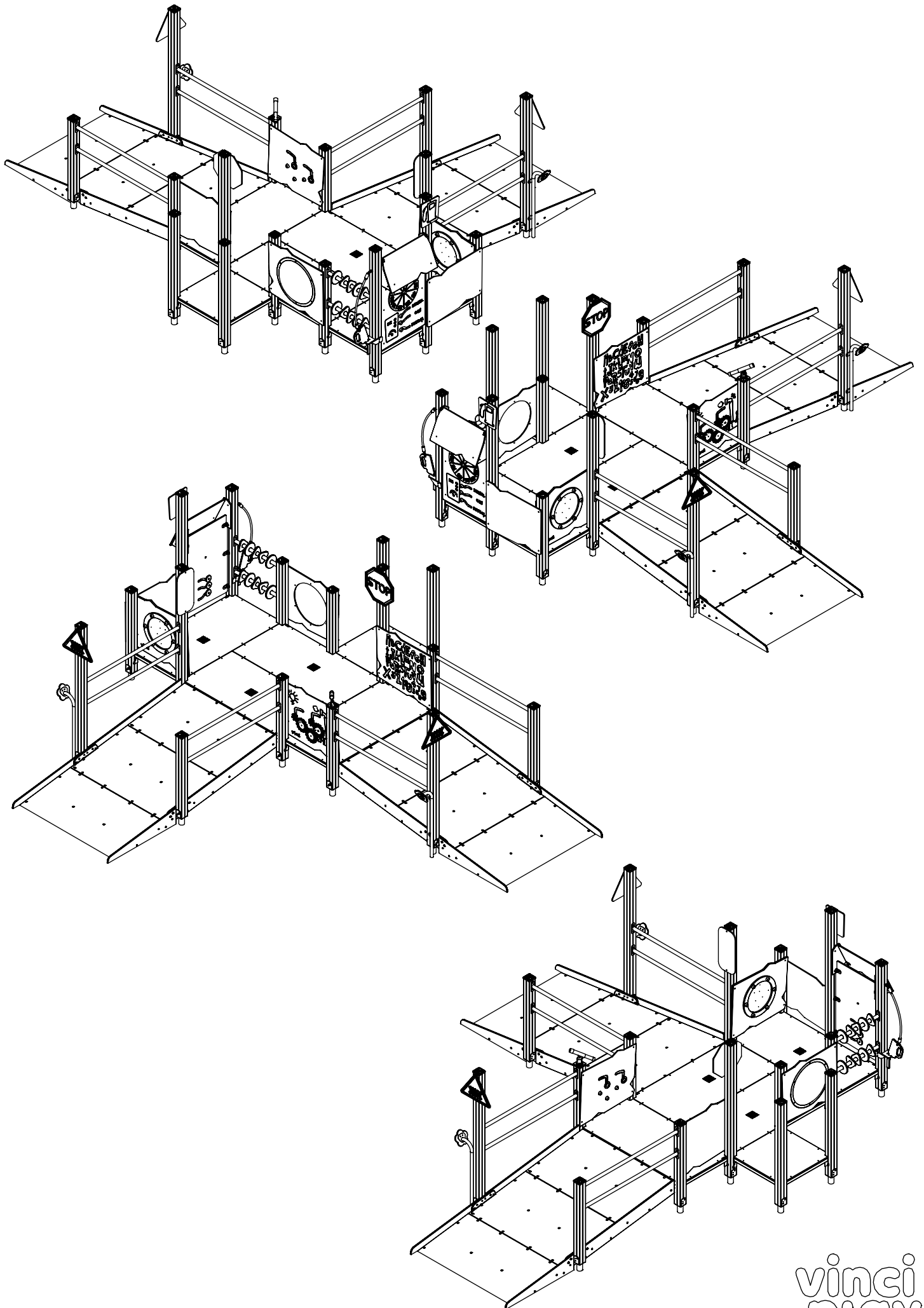
9x **WD1**

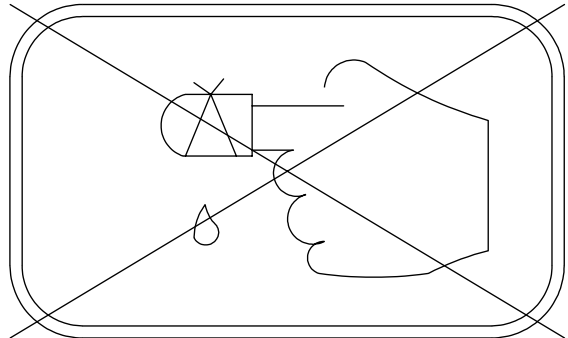
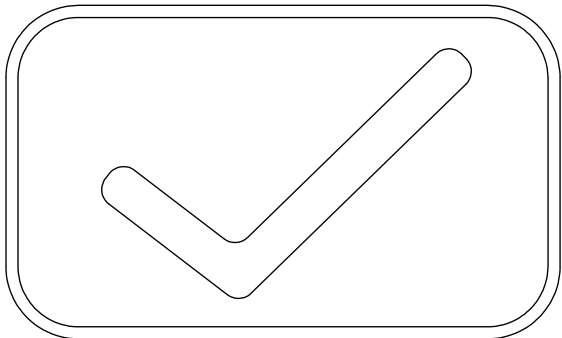
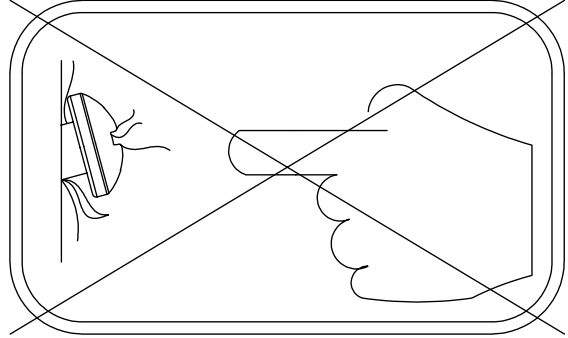
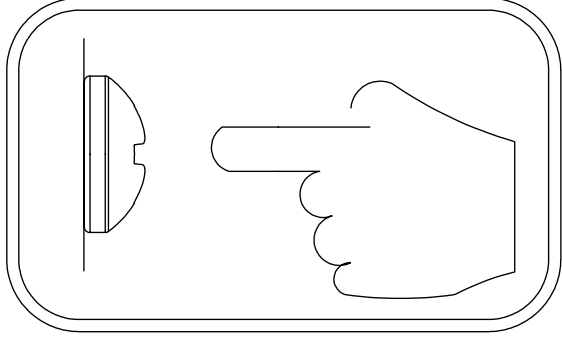
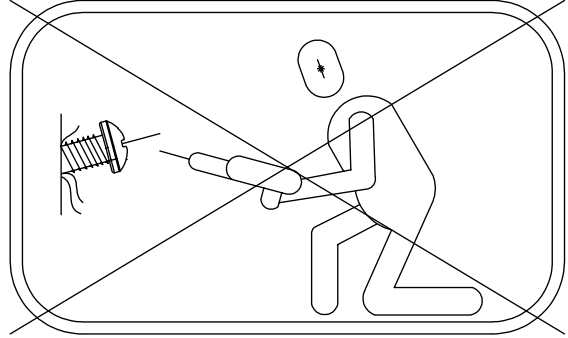
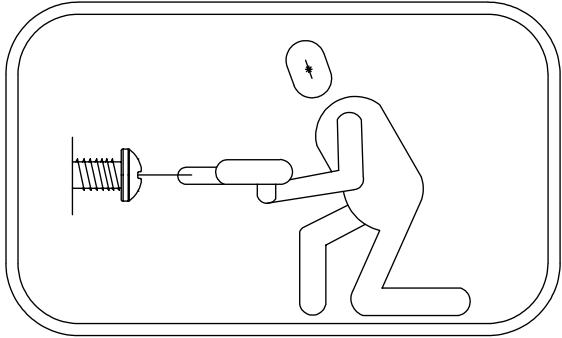
W2

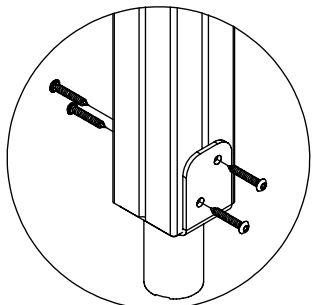


[cm]

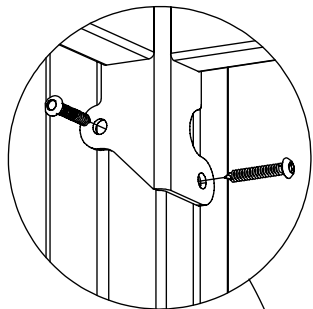
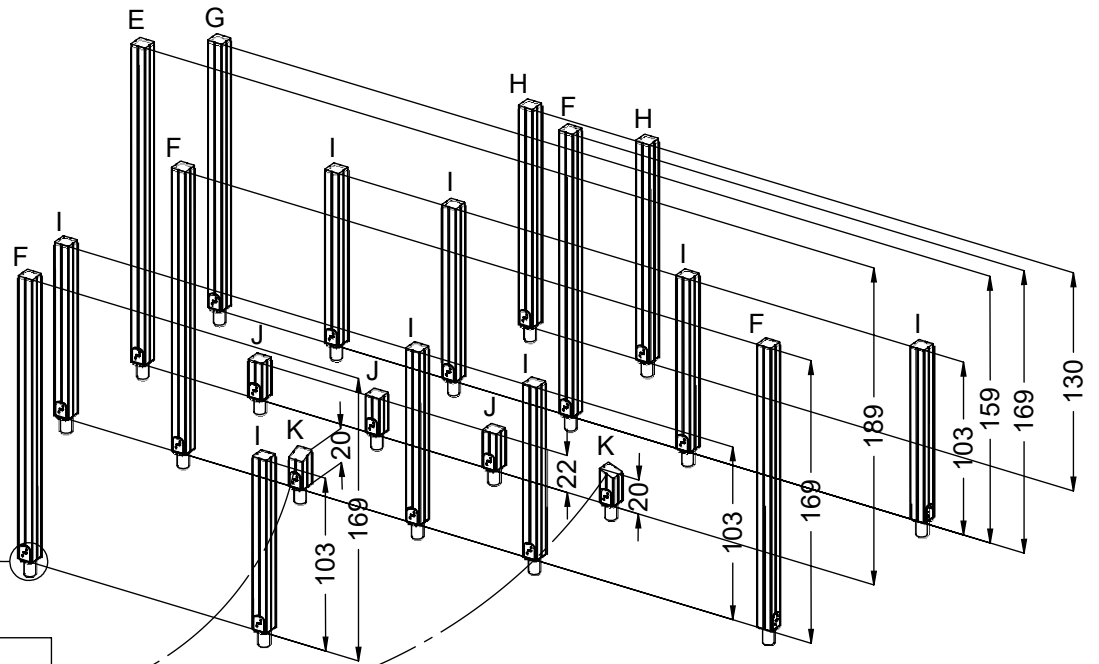
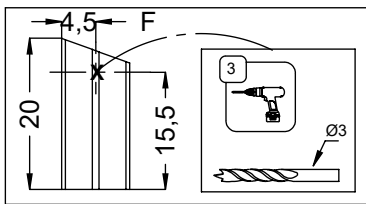
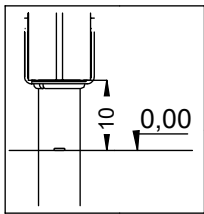
vinci
play



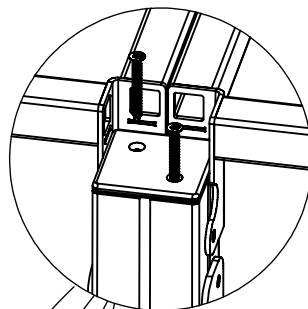




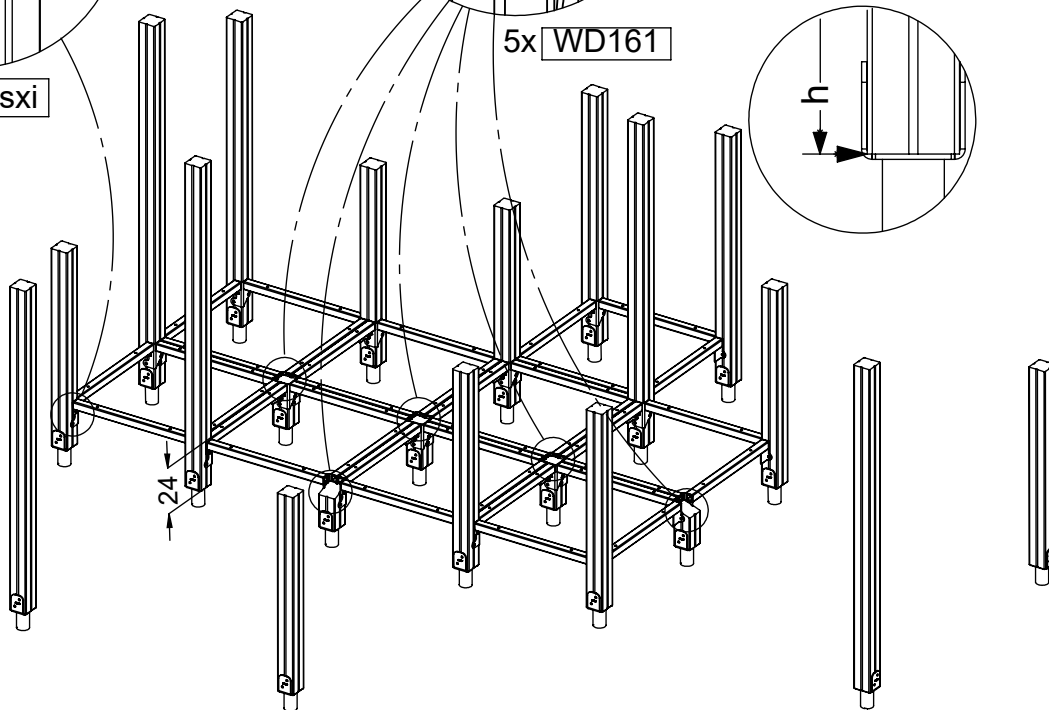
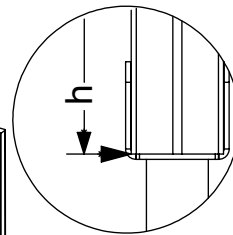
120x 8x50 sxi

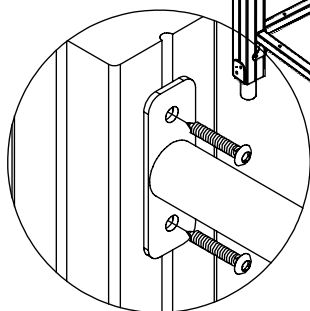
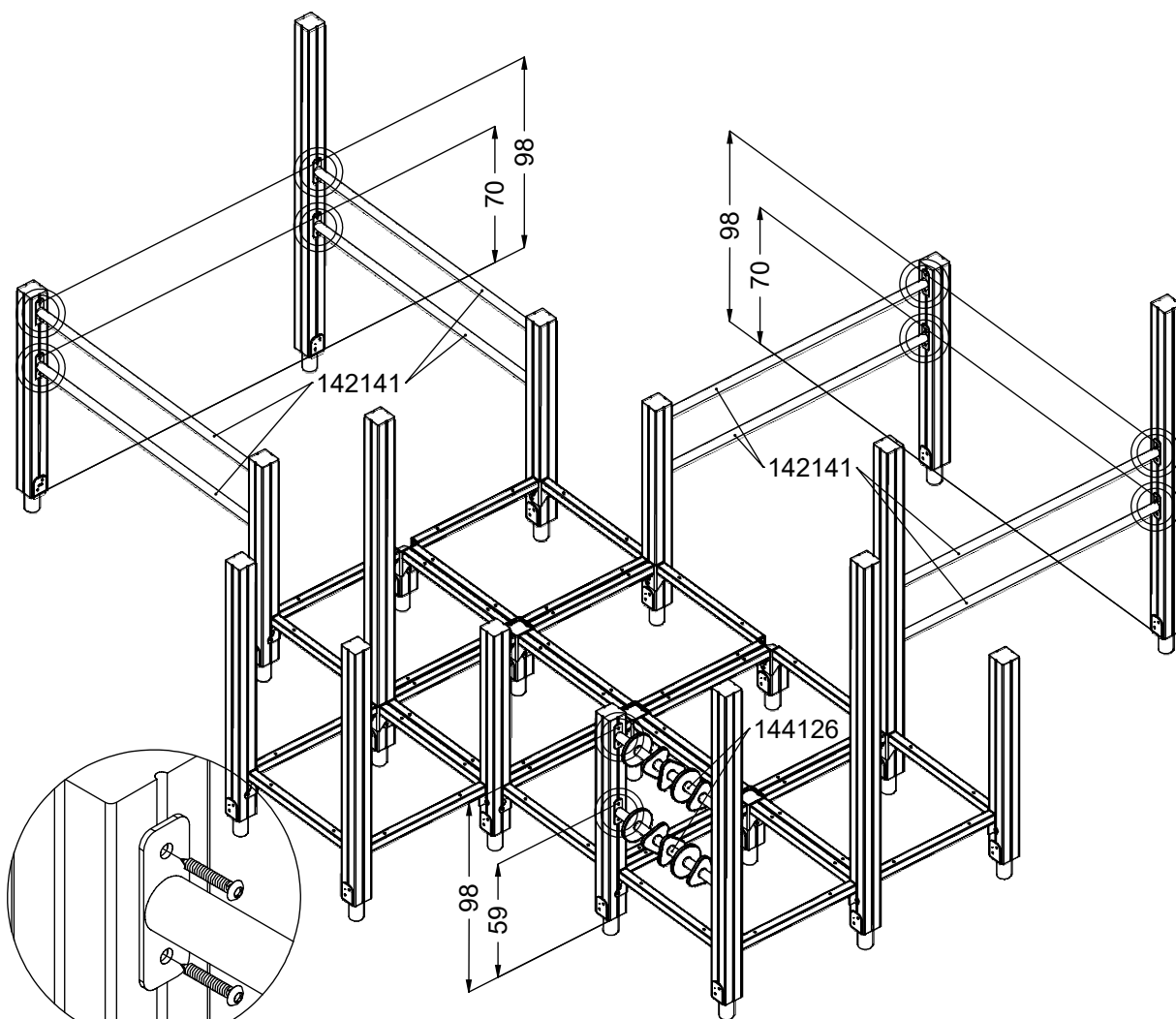


72x 8x50 sxi

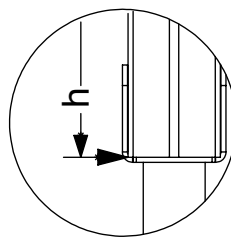
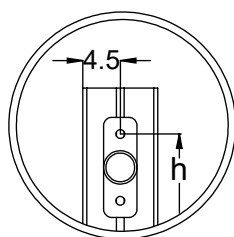


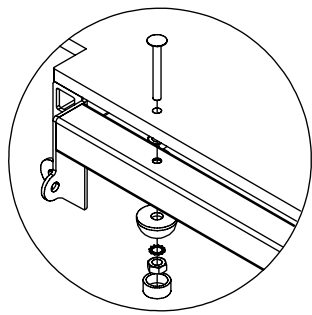
5x WD161



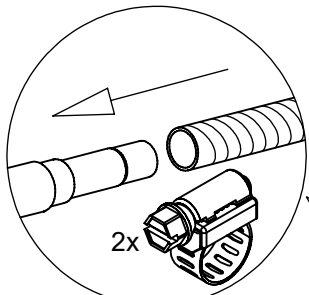
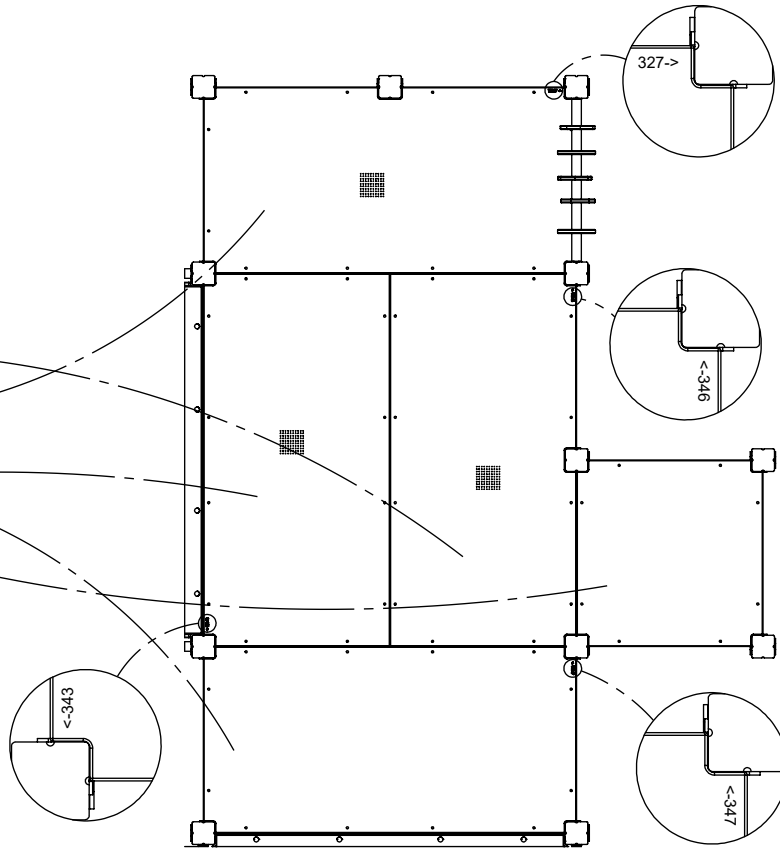


40x 8x50 sxi

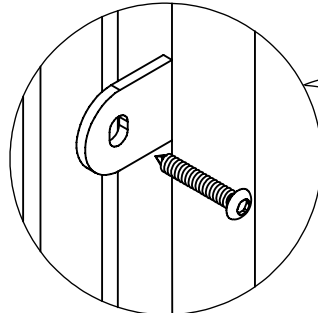




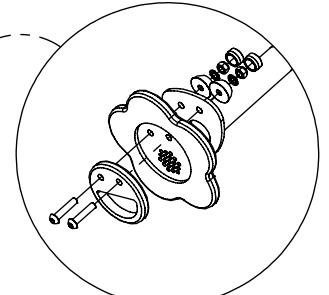
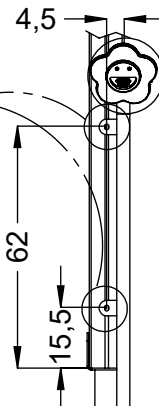
- | | | | |
|----|---------|---|------|
| | PLYWOOD | | HPL |
| 5x | WD70 | ○ | WD71 |
| | PLYWOOD | | HPL |
| 2x | WD74 | ○ | WD75 |
| | PLYWOOD | | HPL |
| 2x | WD76 | ○ | WD77 |
| | PLYWOOD | | HPL |
| 1x | WD74 | ○ | WD75 |



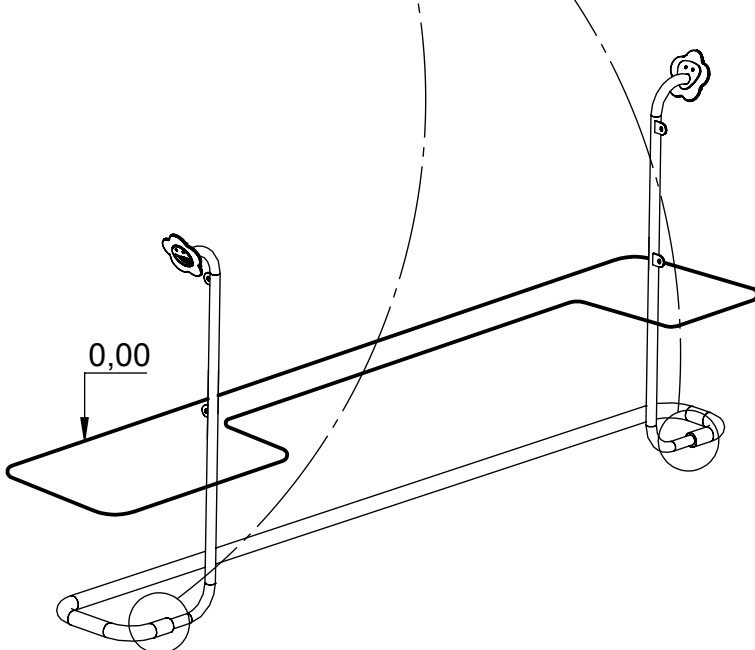
1x Z18



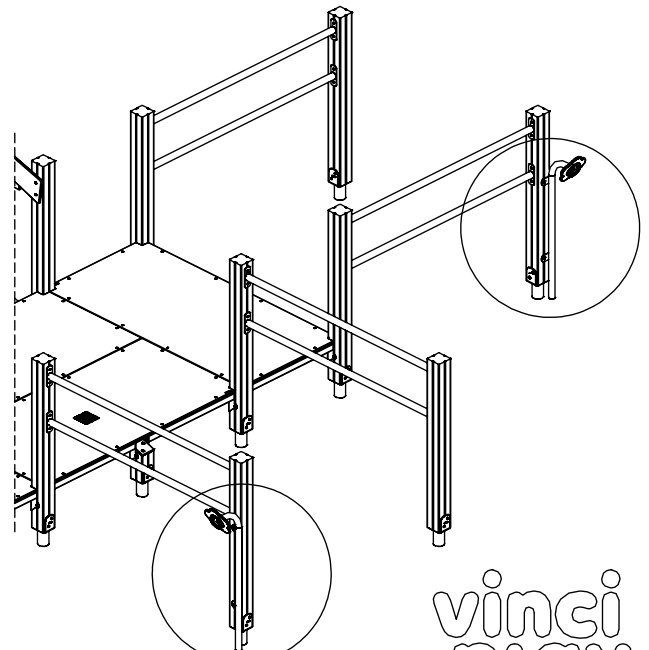
8x50 sxi



HDPE
WD182 ○ HPL
WD181

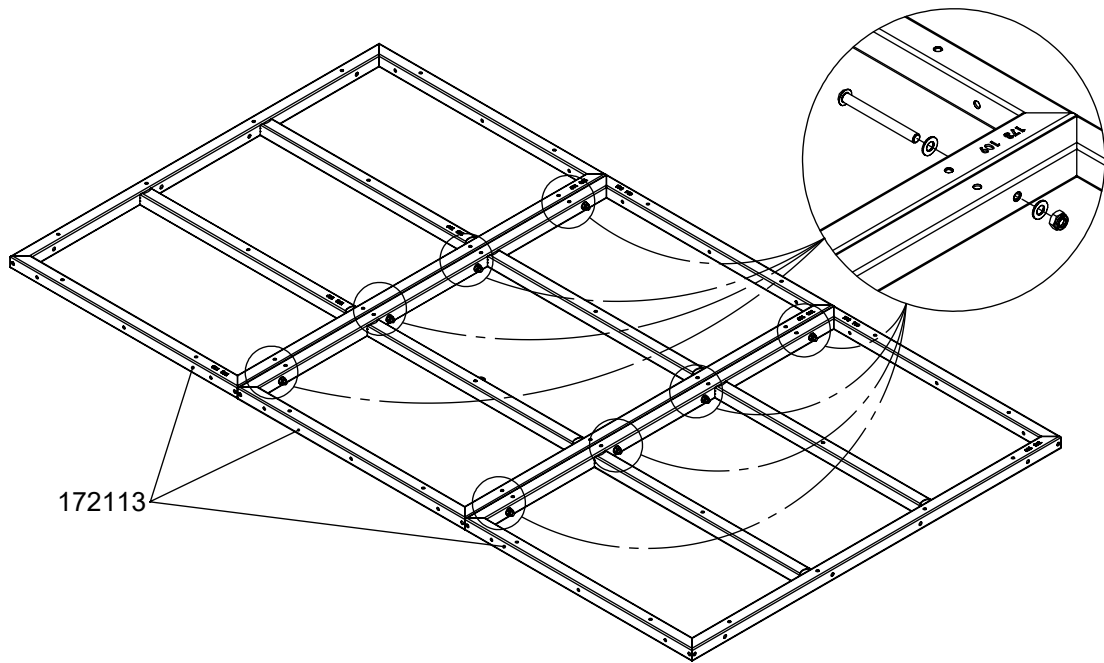


[cm] W2



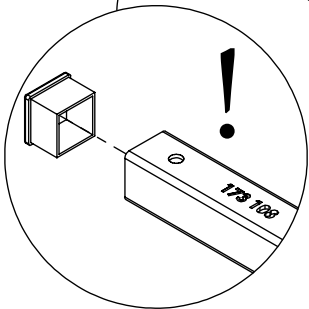
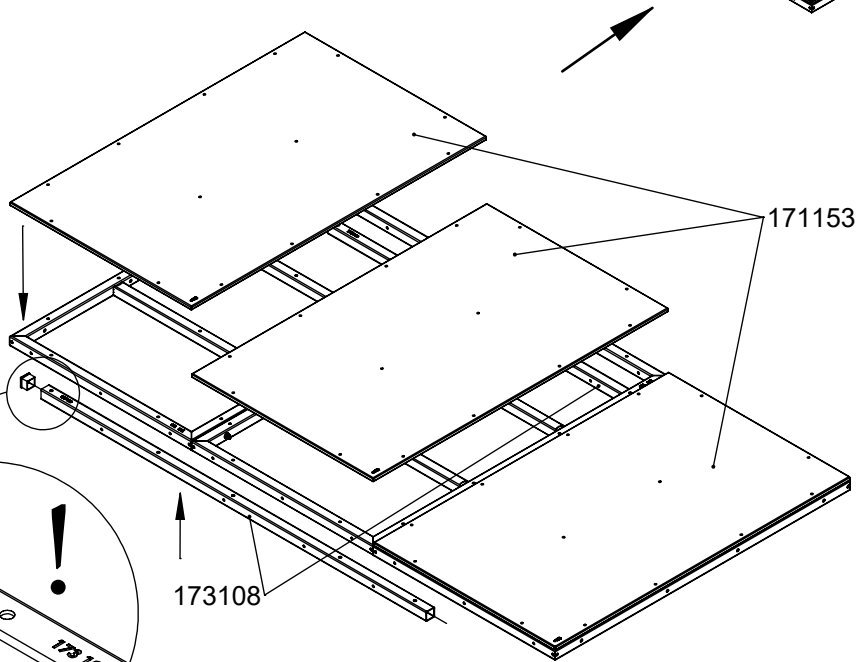
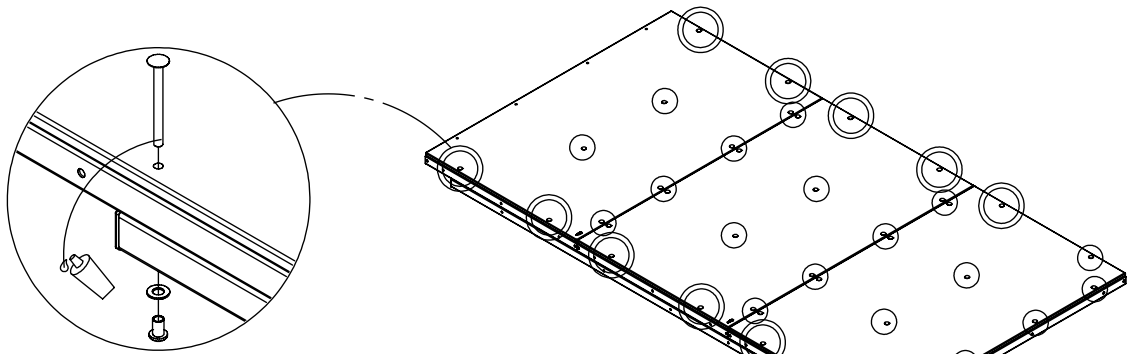
vinci
play

2x



PLYWOOD
WD142

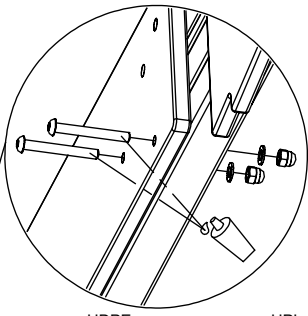
HPL
WD141



[cm] W2

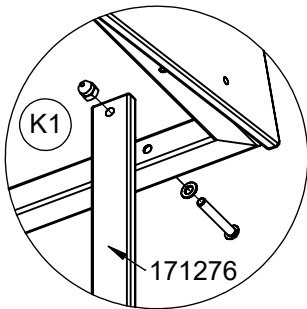
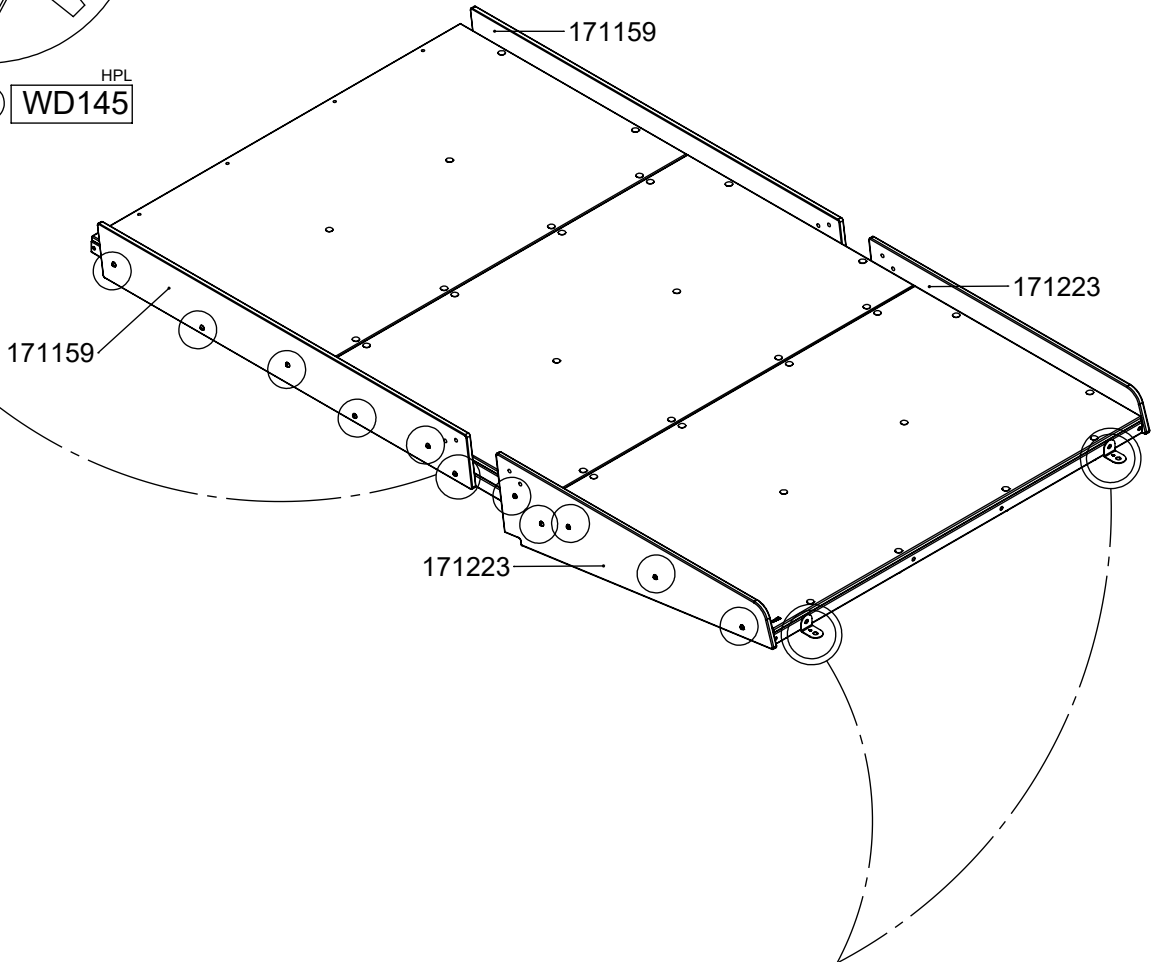
vinci
play

2x

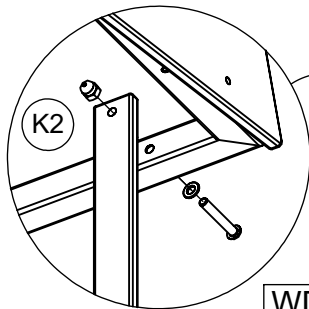


HDPE
WD146

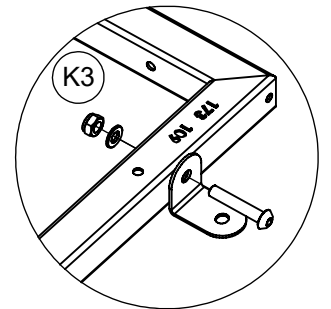
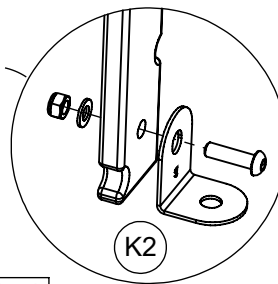
HPL
WD145



WD164

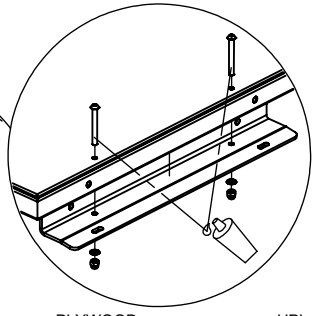
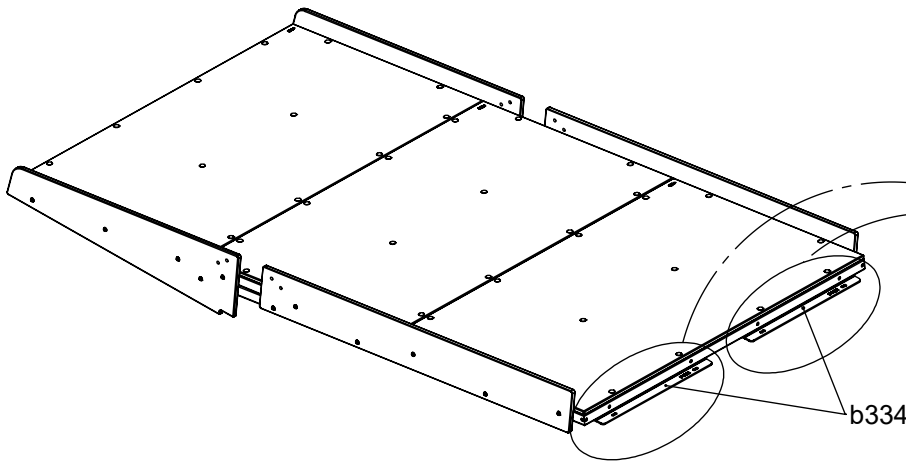


WD171



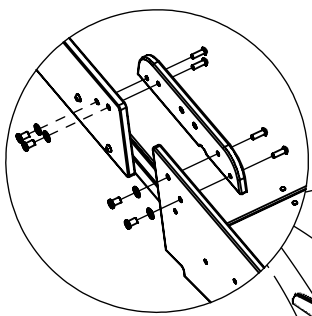
E184

2x



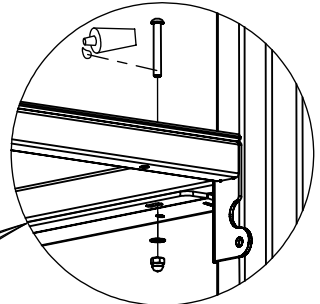
PLYWOOD
WD144

HPL
WD143



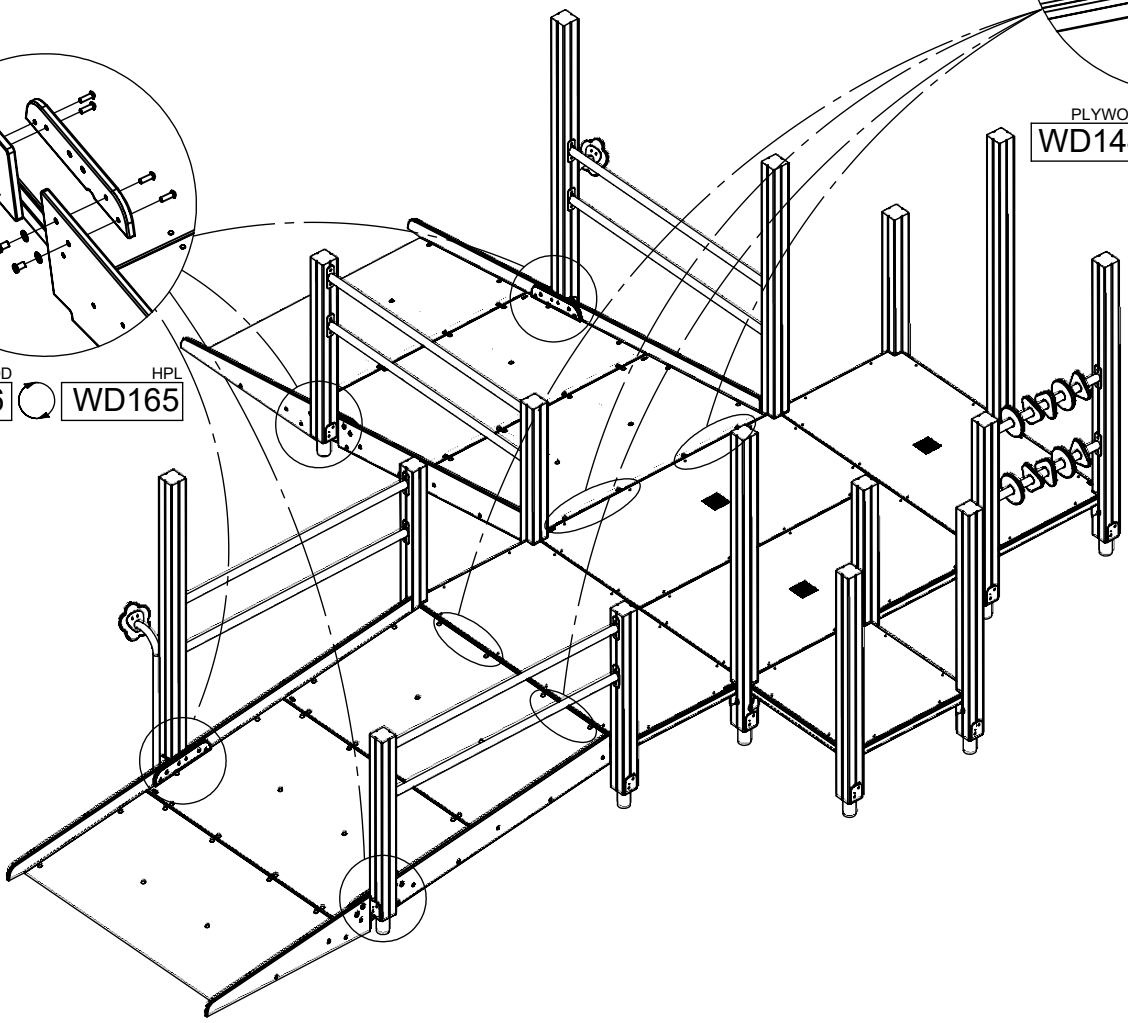
PLYWOOD
WD166

HPL
WD165



PLYWOOD
WD144

HPL
WD143



[cm] W2

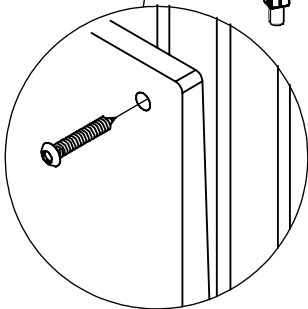
vinci
play

141405
x2

141406

1x **c170**

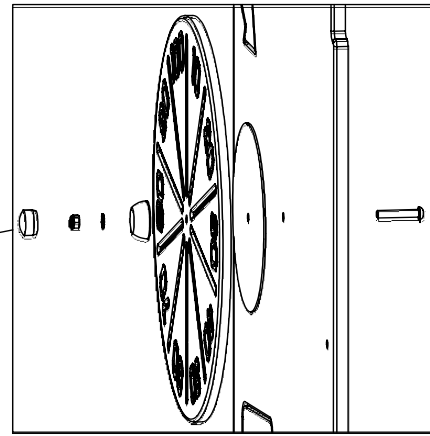
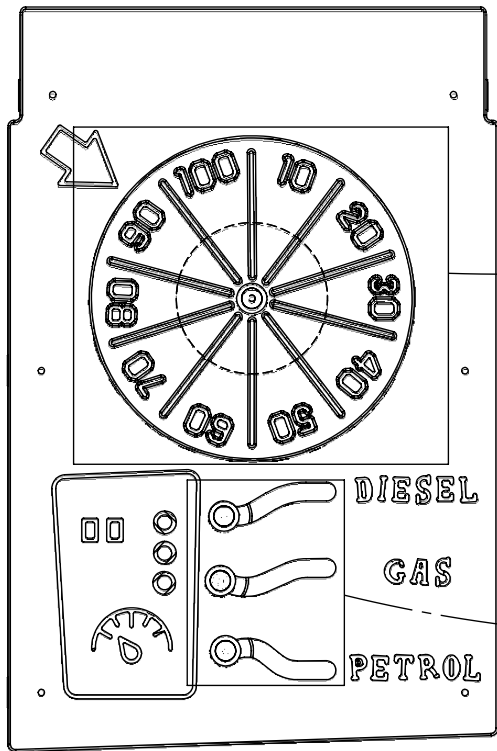
x
140



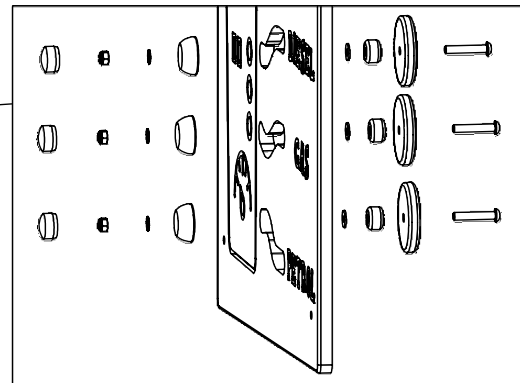
2x **8x50 sxi**

[cm] W2

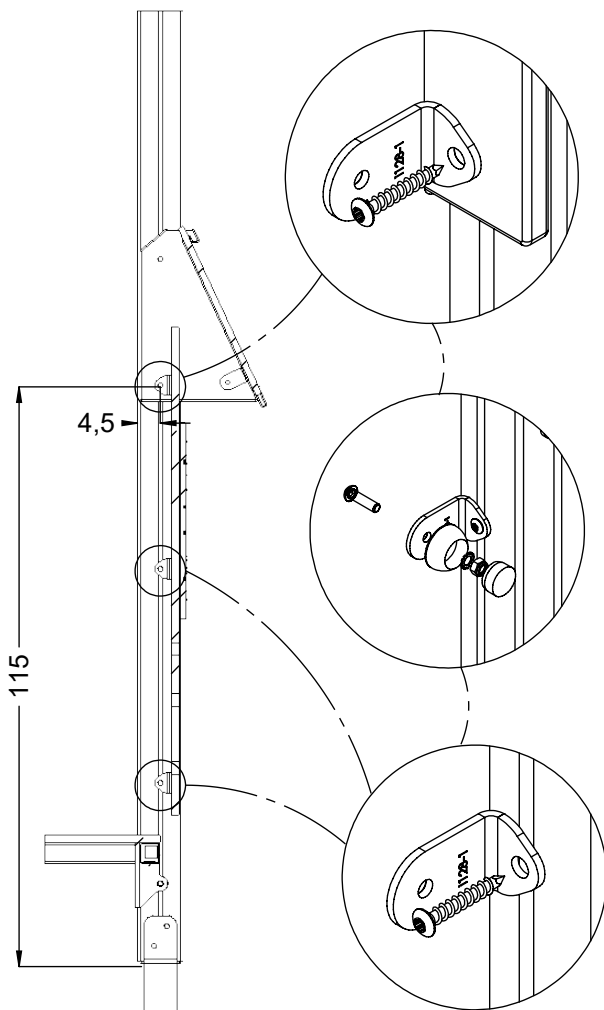
vinci
play



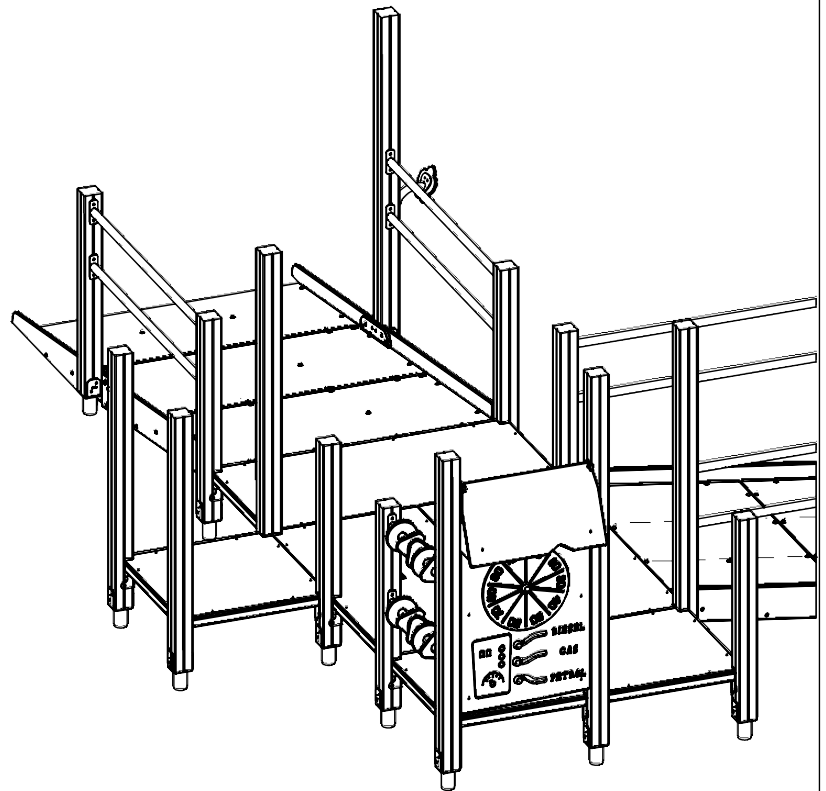
1x CE11



1x CE163

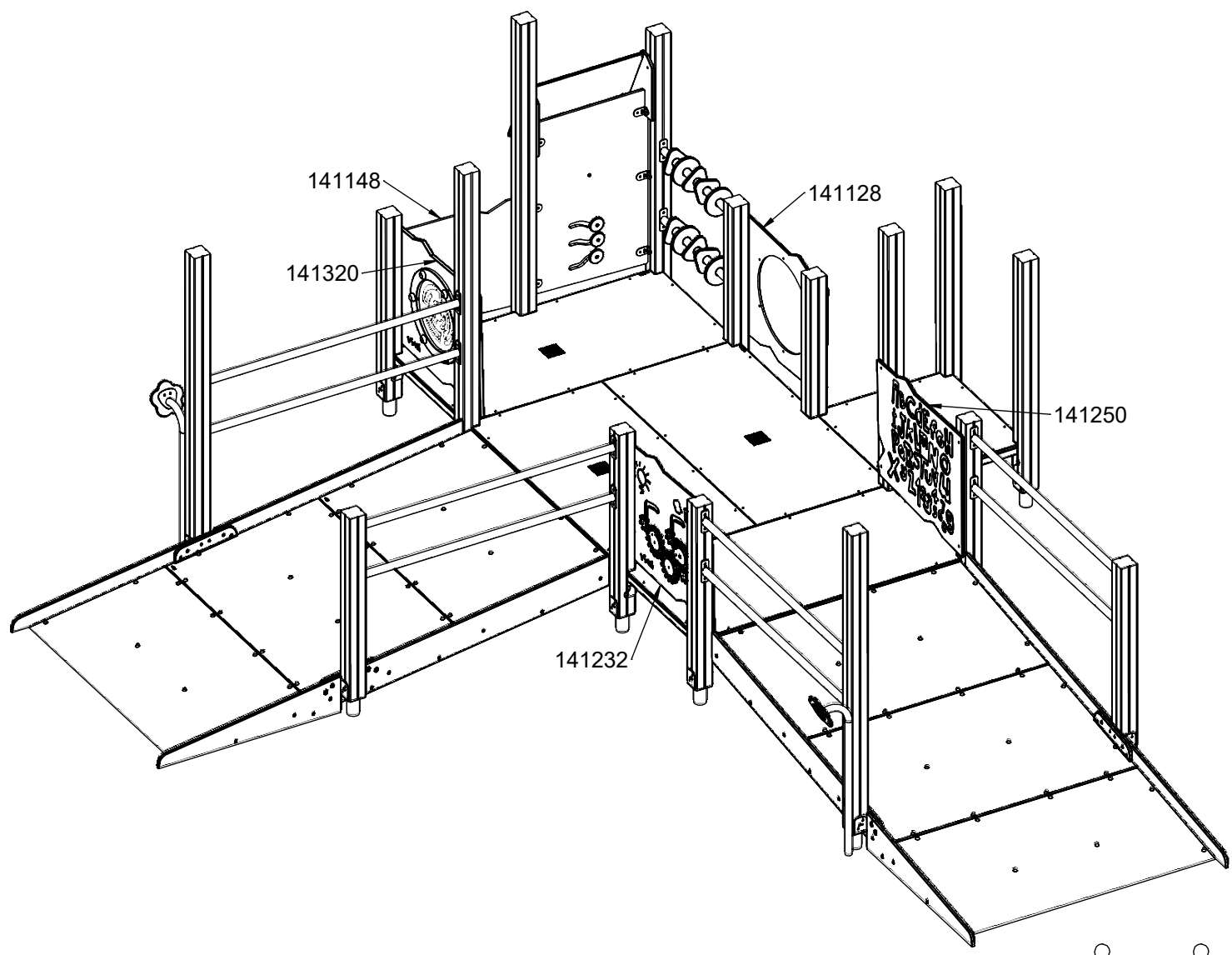
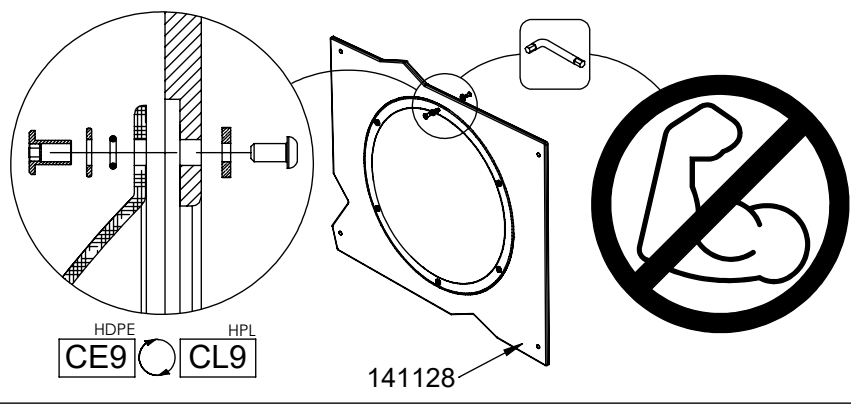
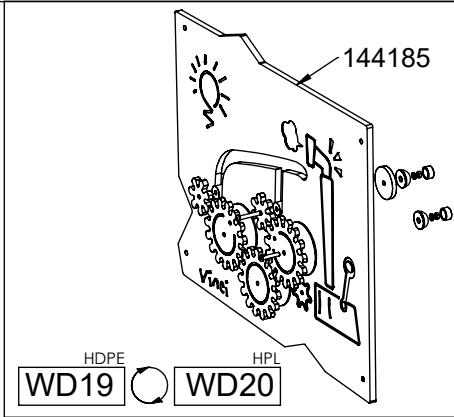
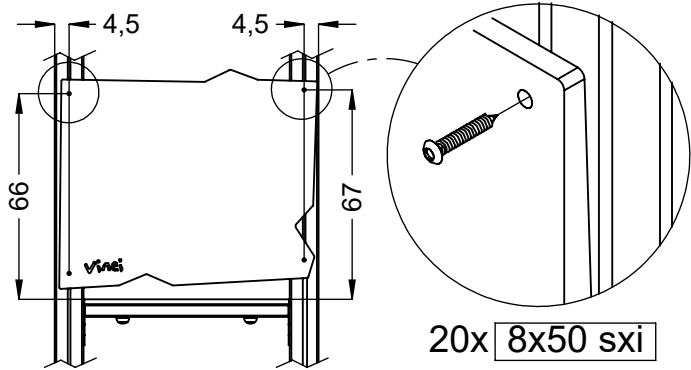


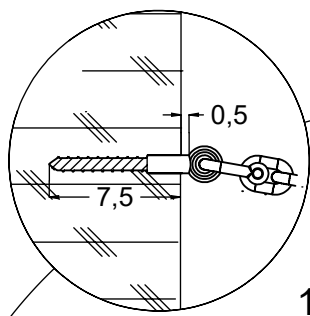
1x C113



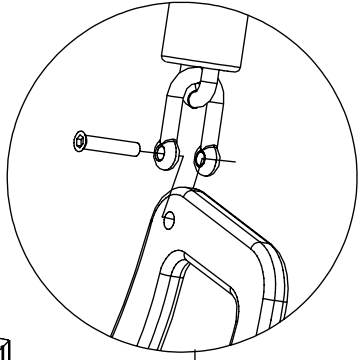
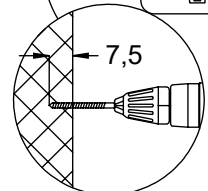
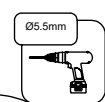
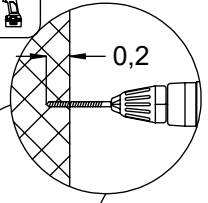
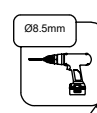
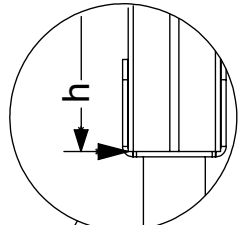
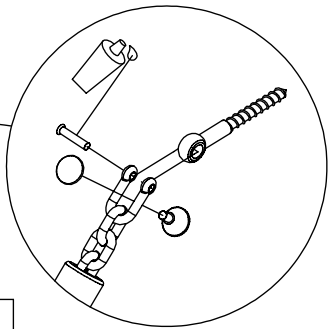
[cm] W2

vinci
play

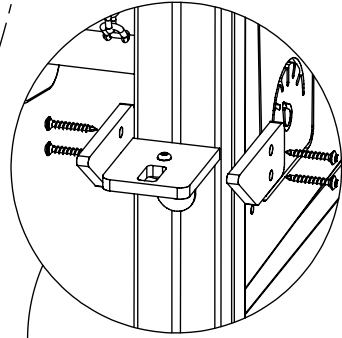
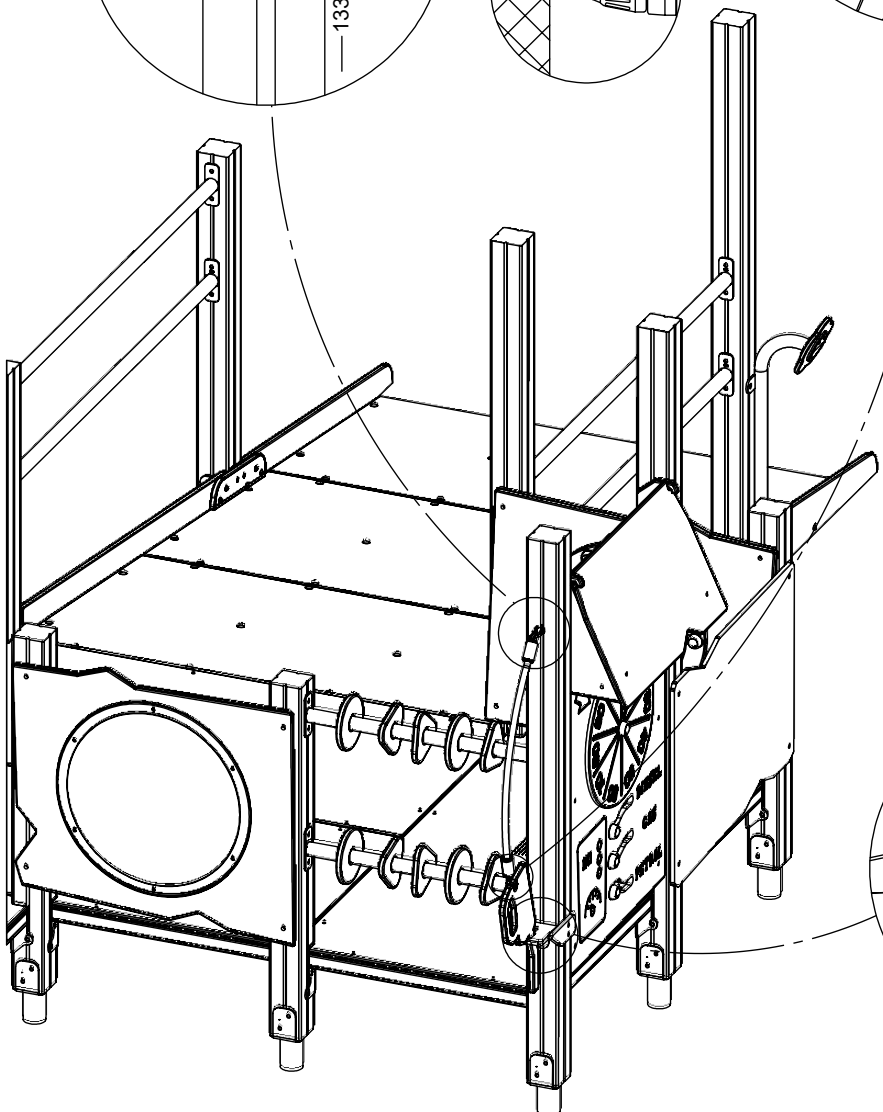
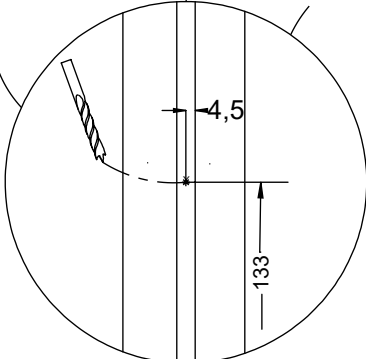




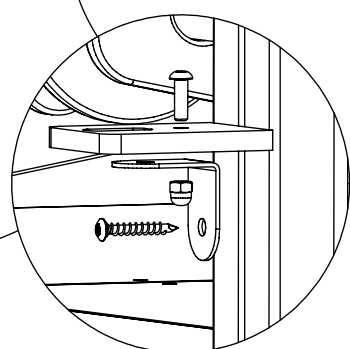
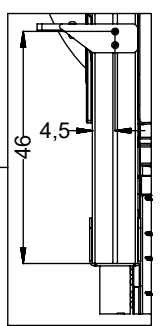
1x E242



E242

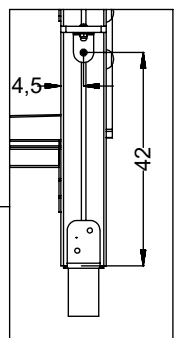


4x 8x50 sxi



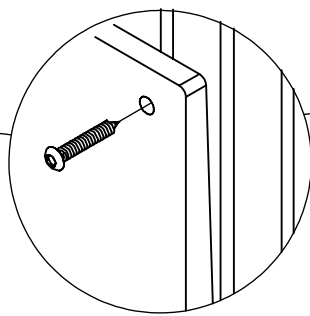
1x CR191

1x 8x50 sxi

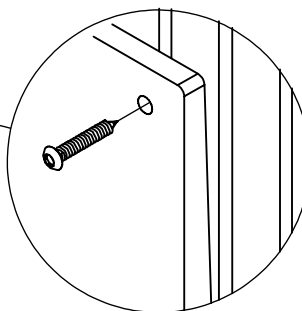
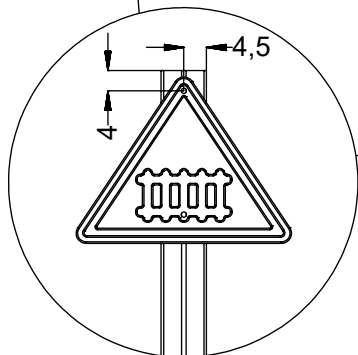
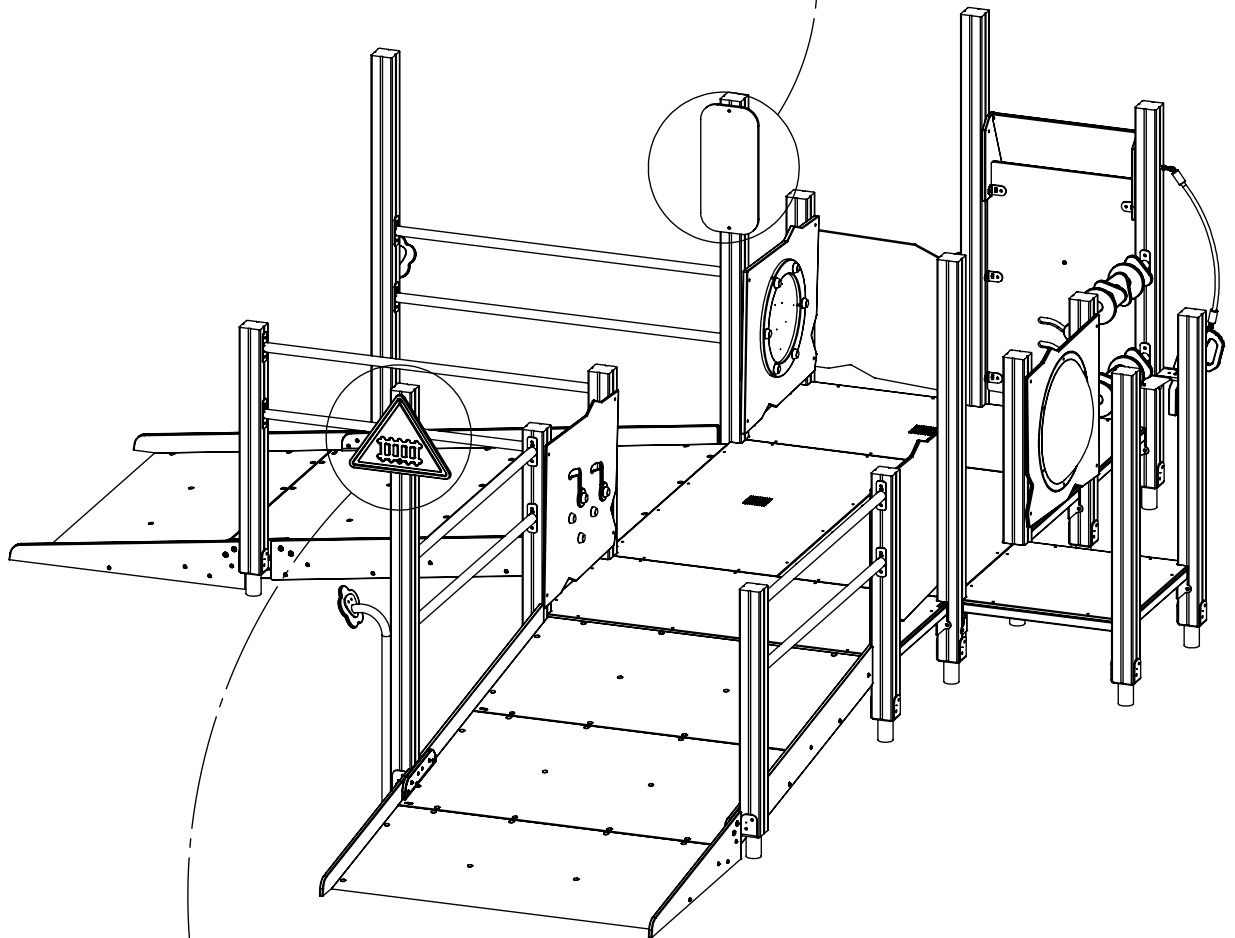
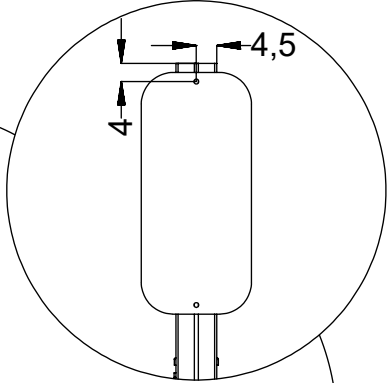


[cm] W2

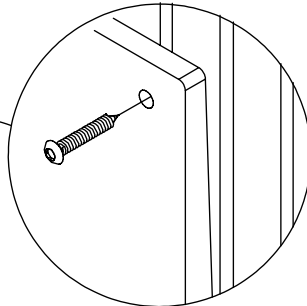
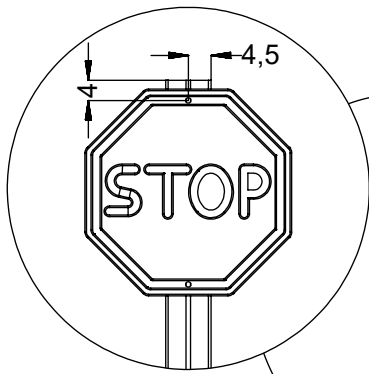
vinci play



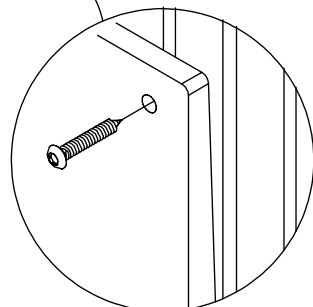
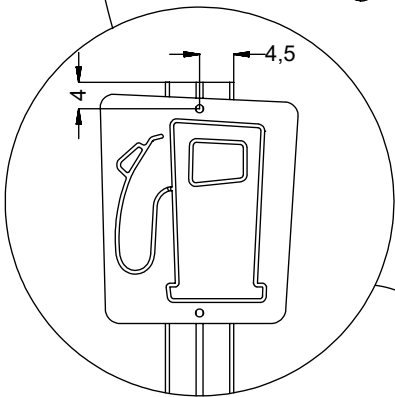
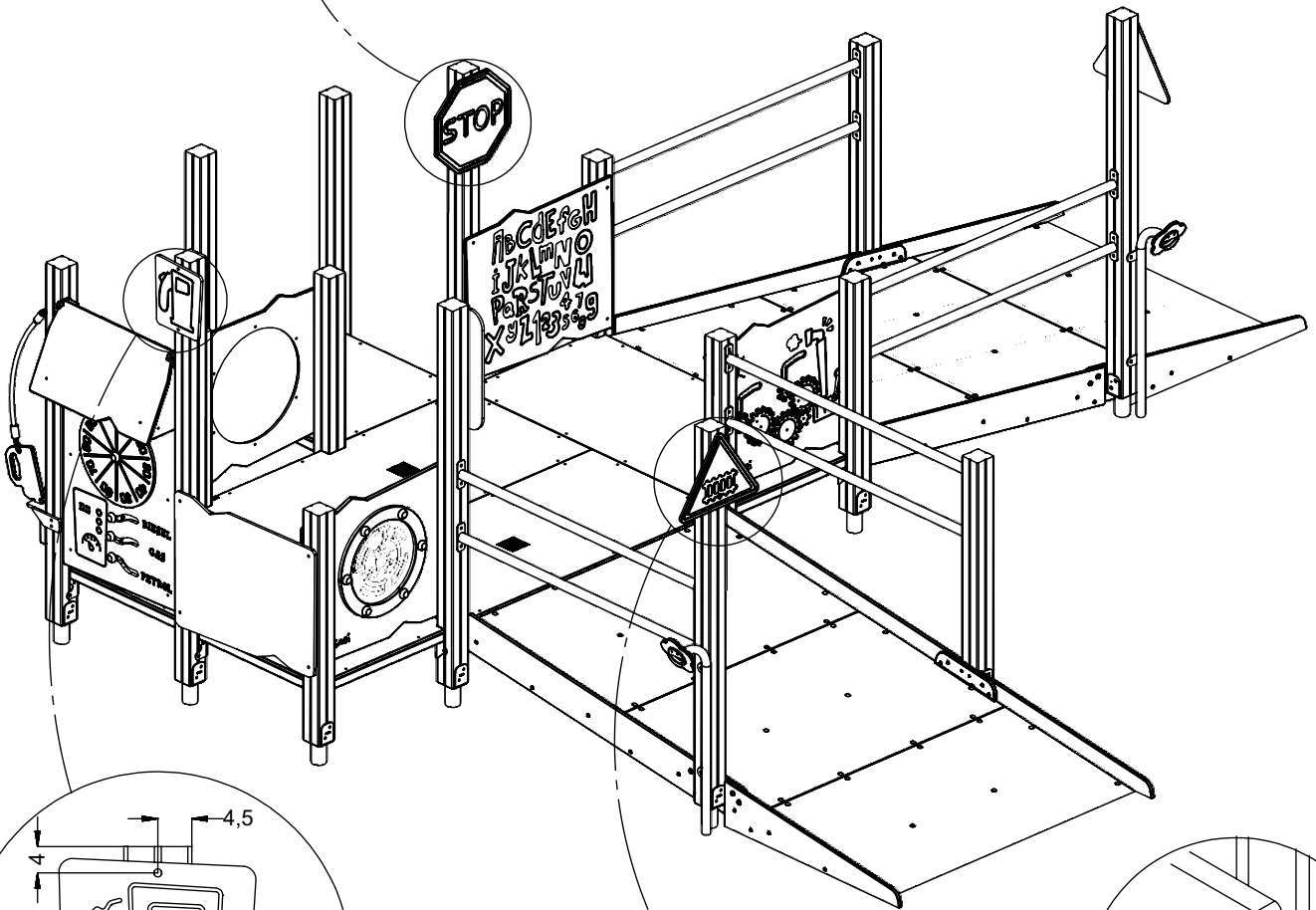
2x 8x50 sxi



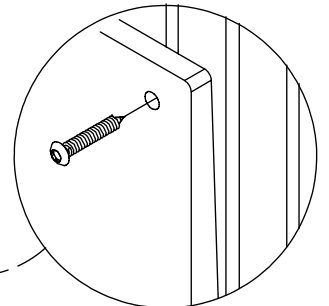
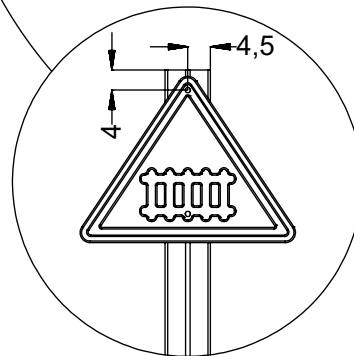
2x 8x50 sxi



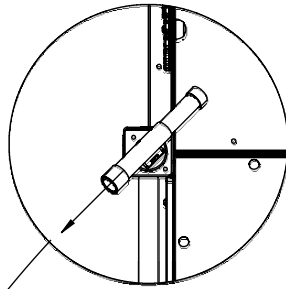
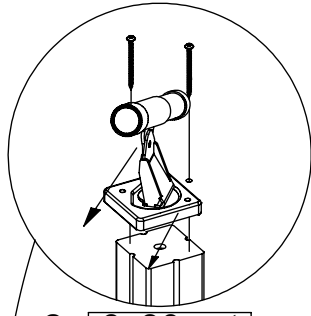
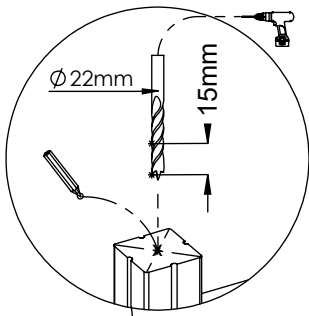
2x 8x50 sxi



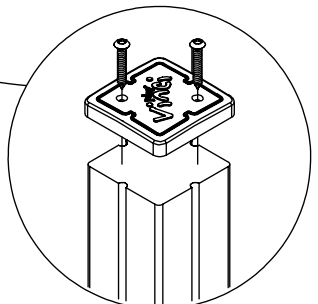
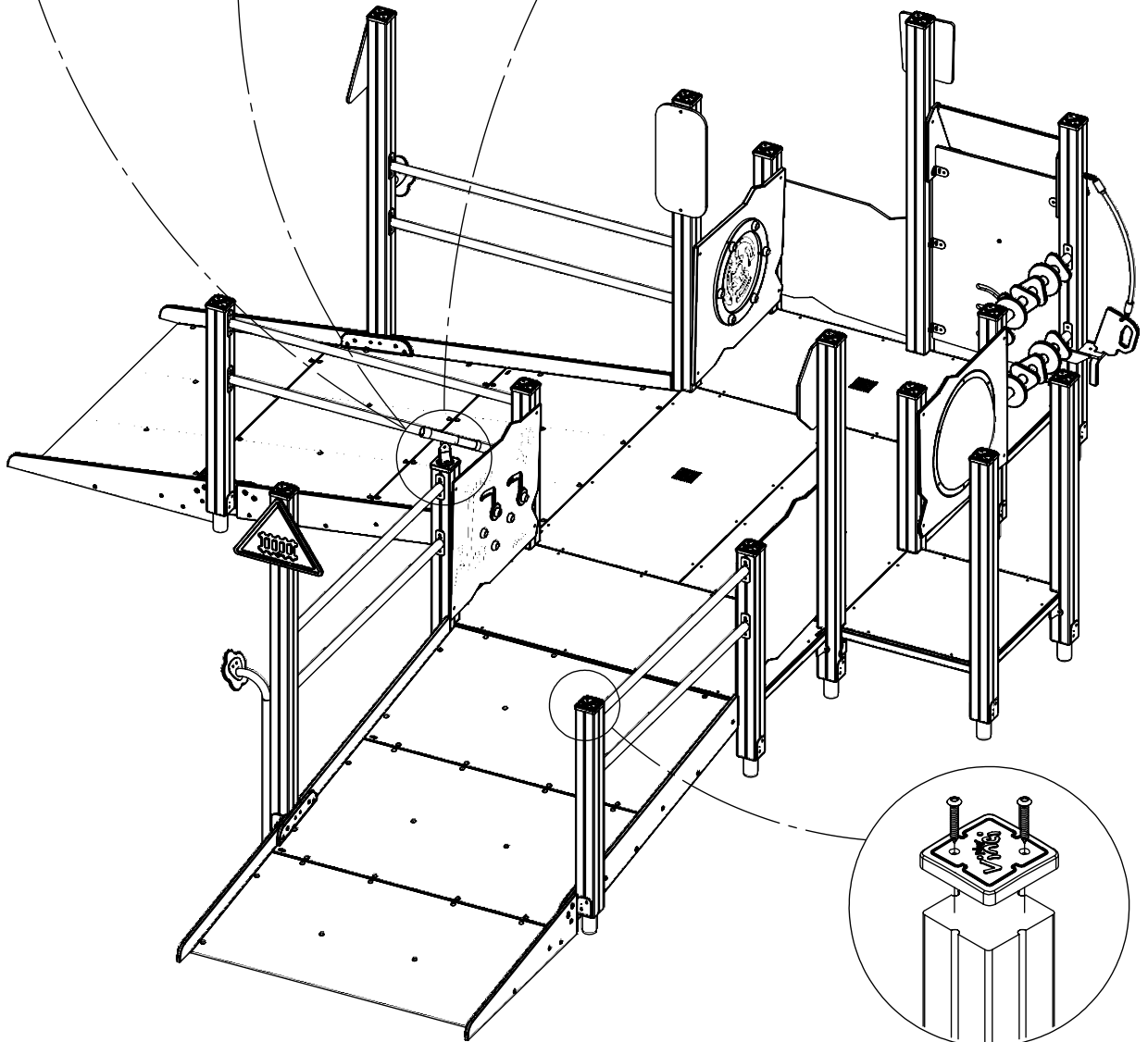
2x 8x50 sxi



2x 8x50 sxi

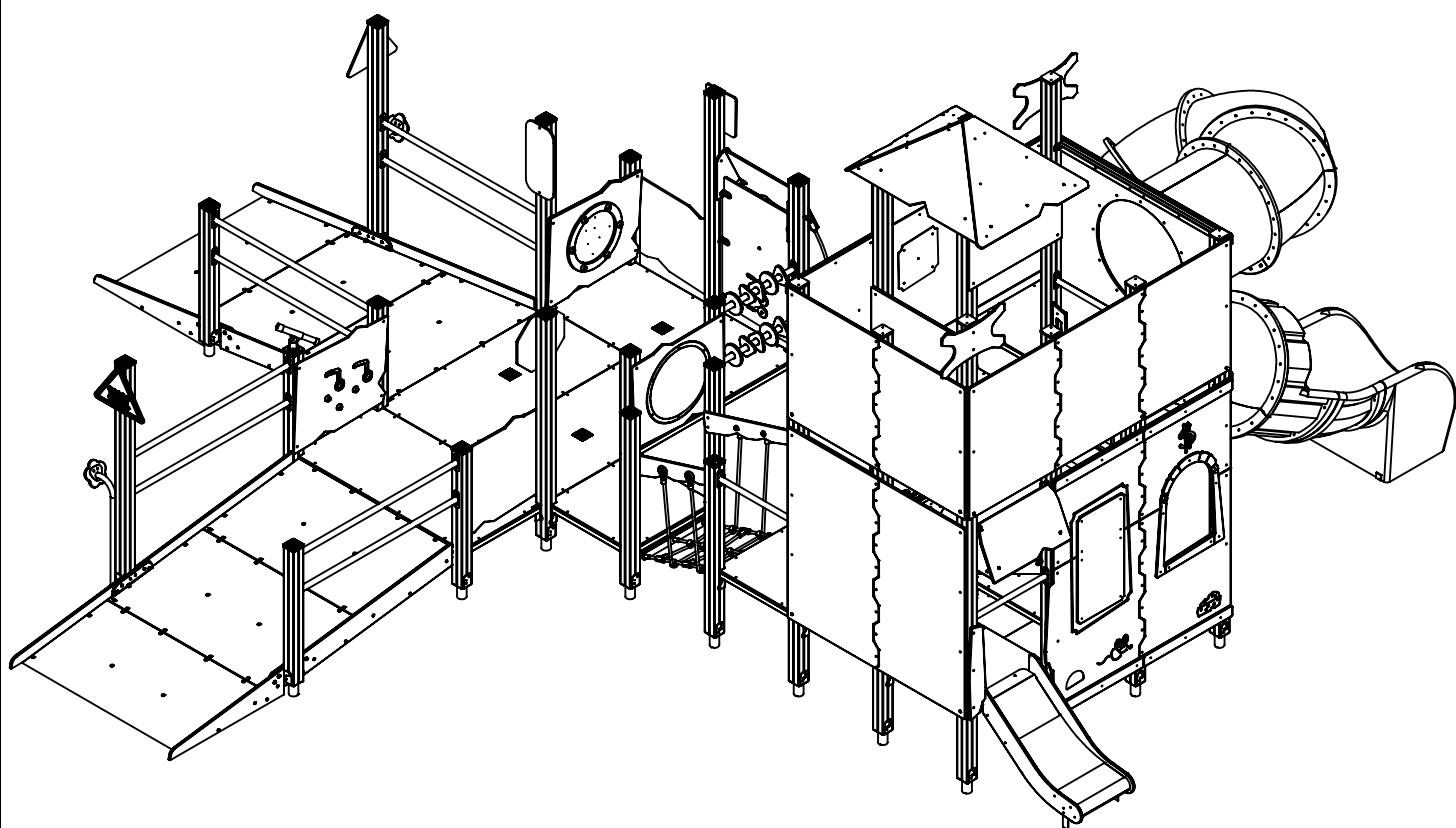


2x 6x80 sxt



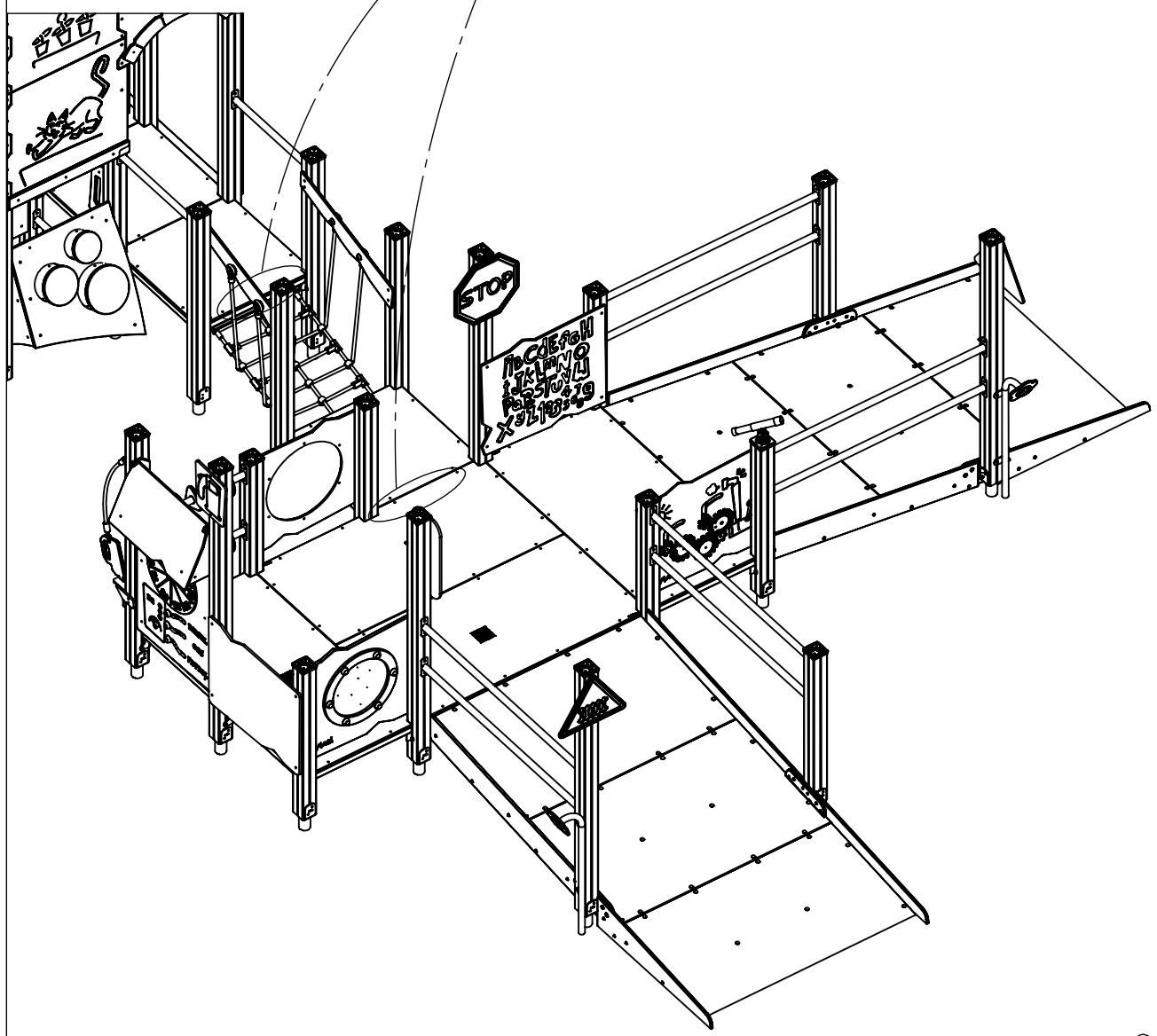
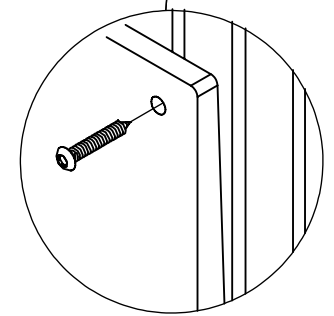
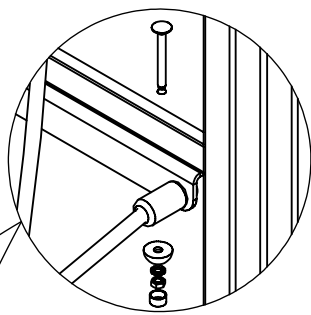
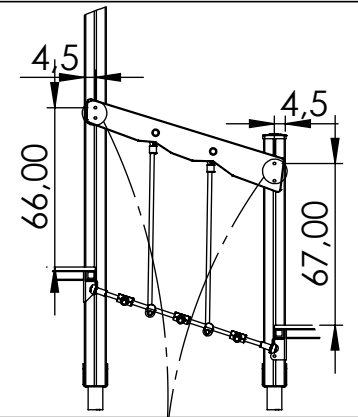
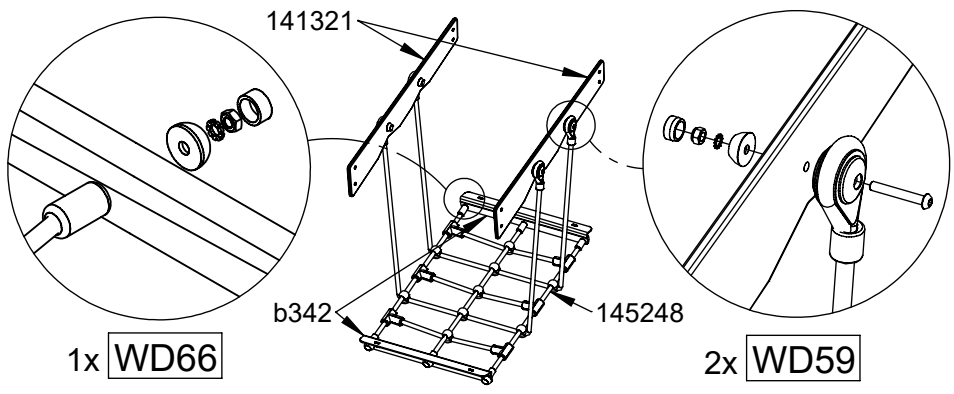
15x WD1

W1+W2



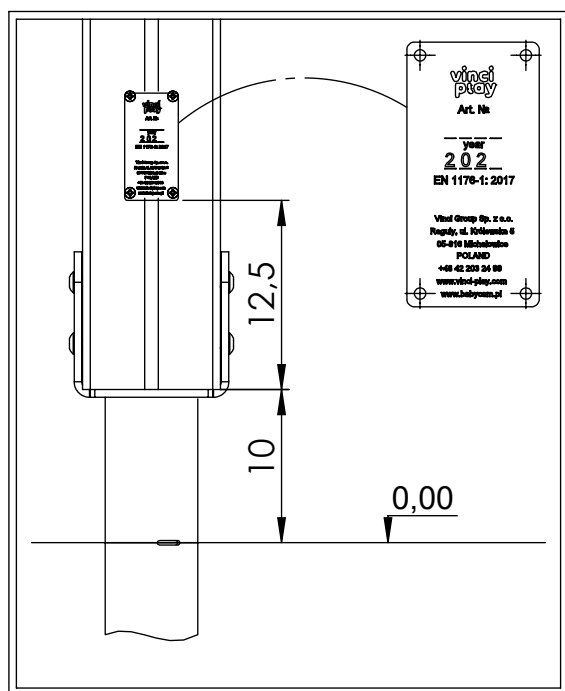
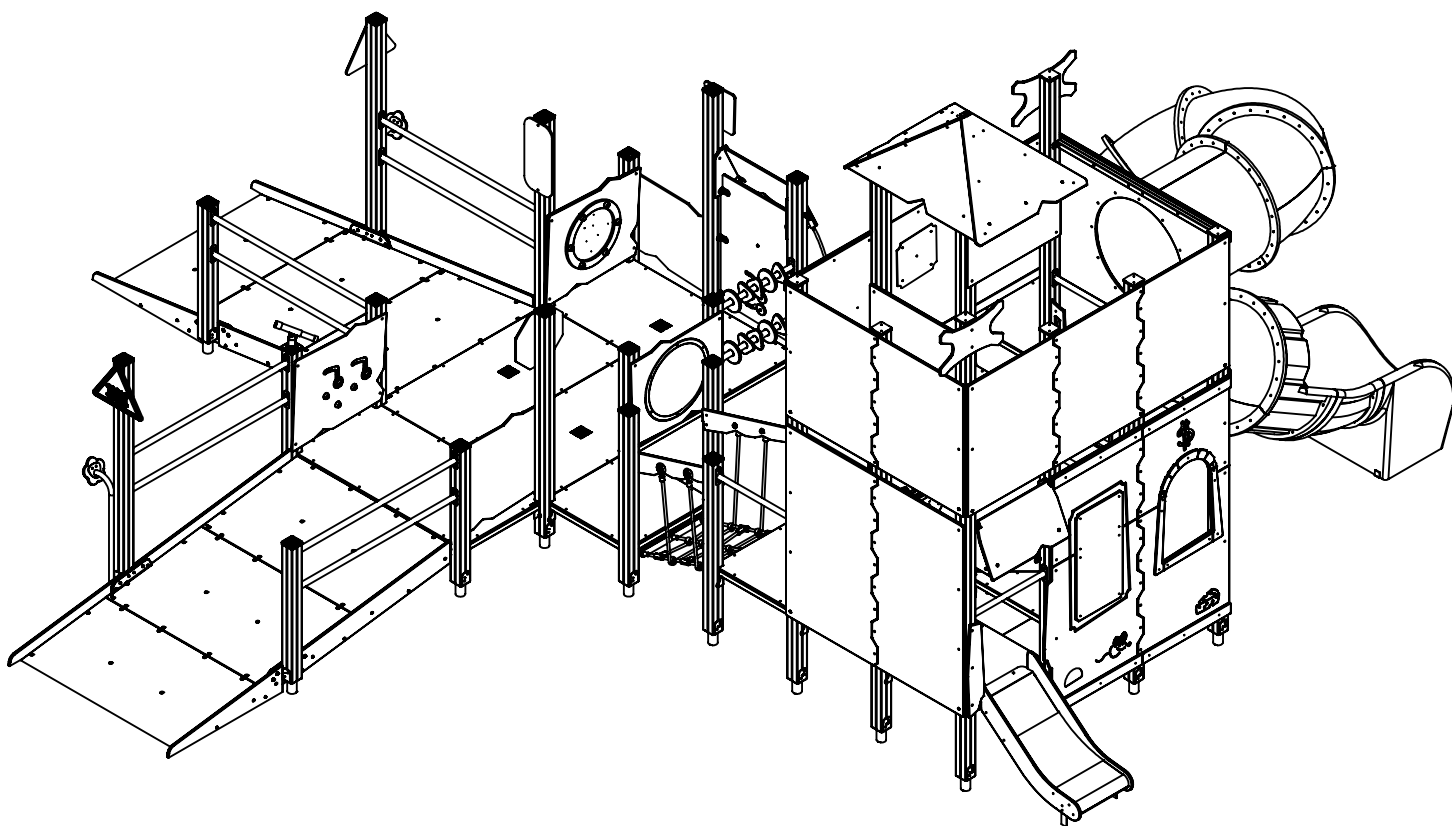
[cm]

vinci
play



[cm]

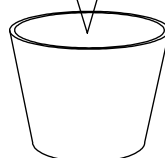
vinci
play



V001

Part No:
000000-
00000

000000-00000



[cm]

vinci
play