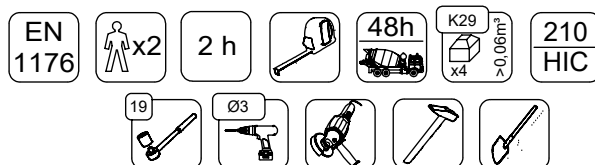
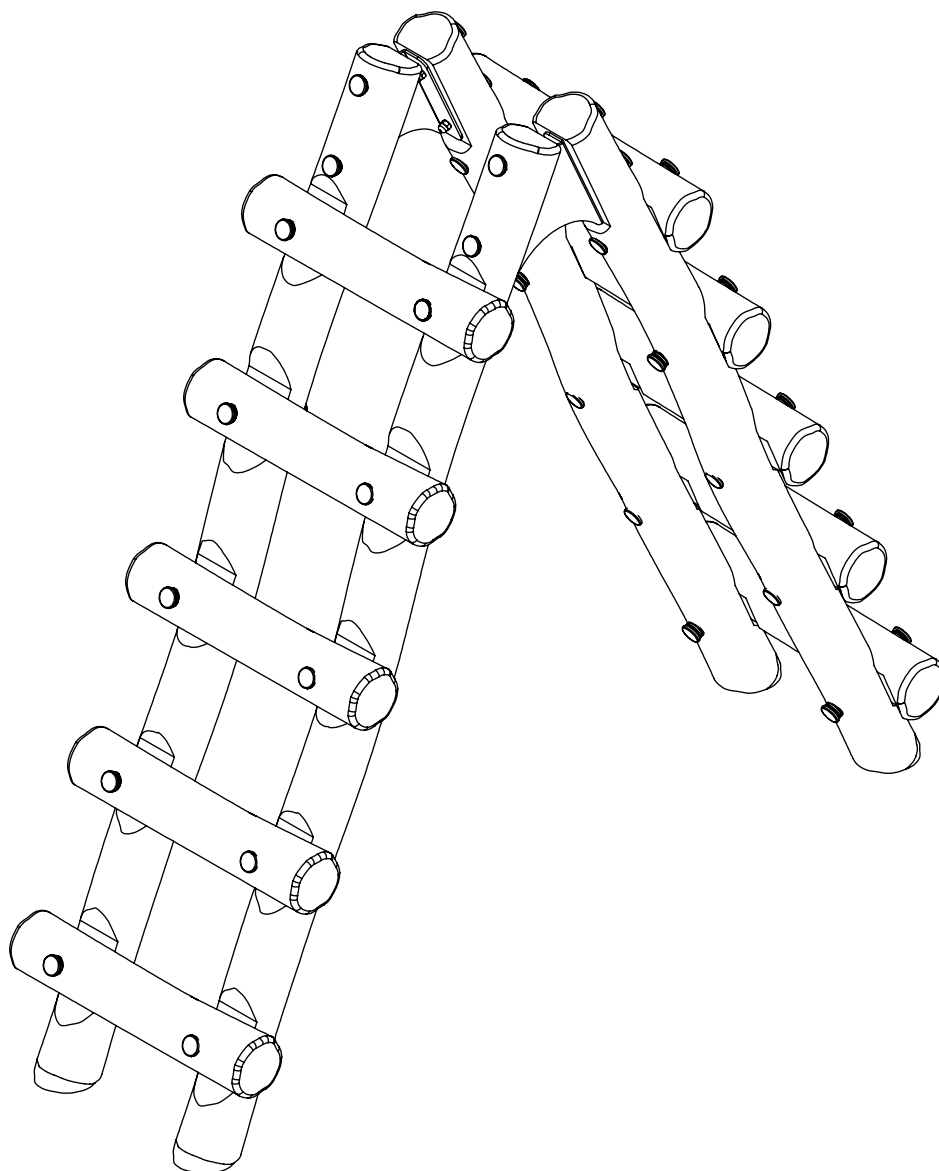
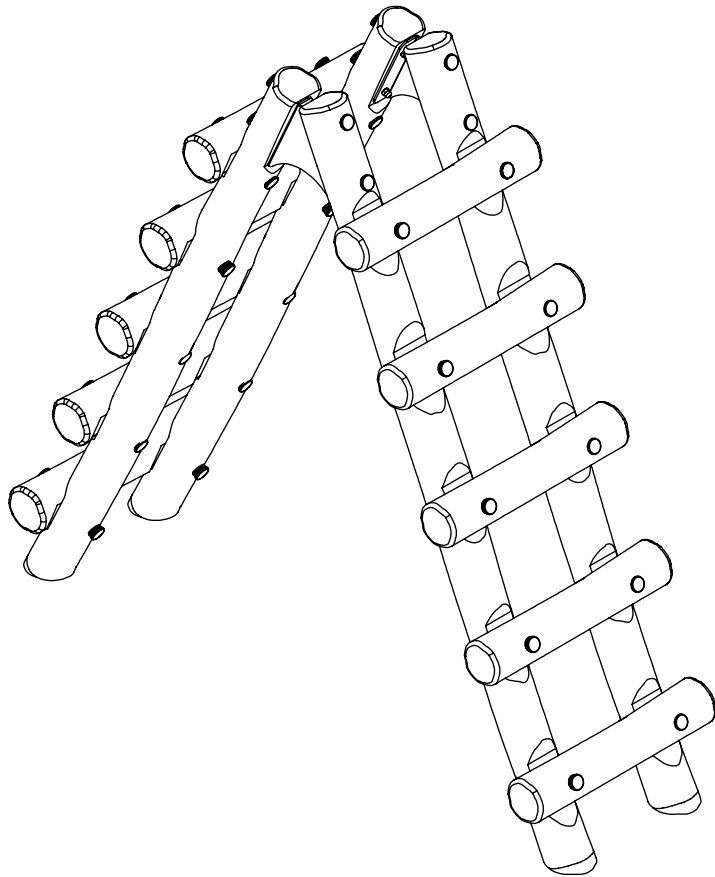
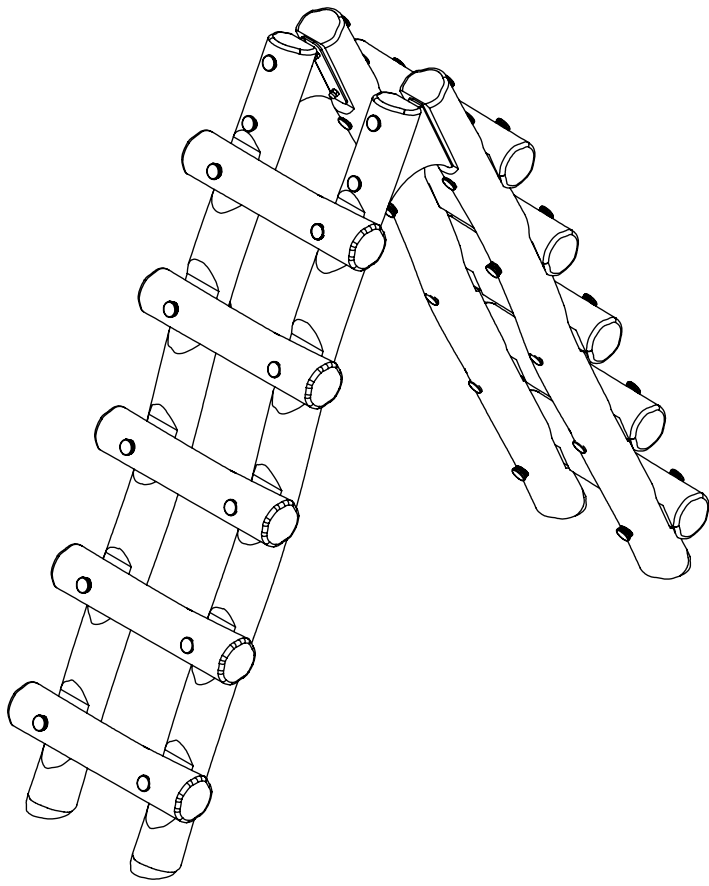


RB1284



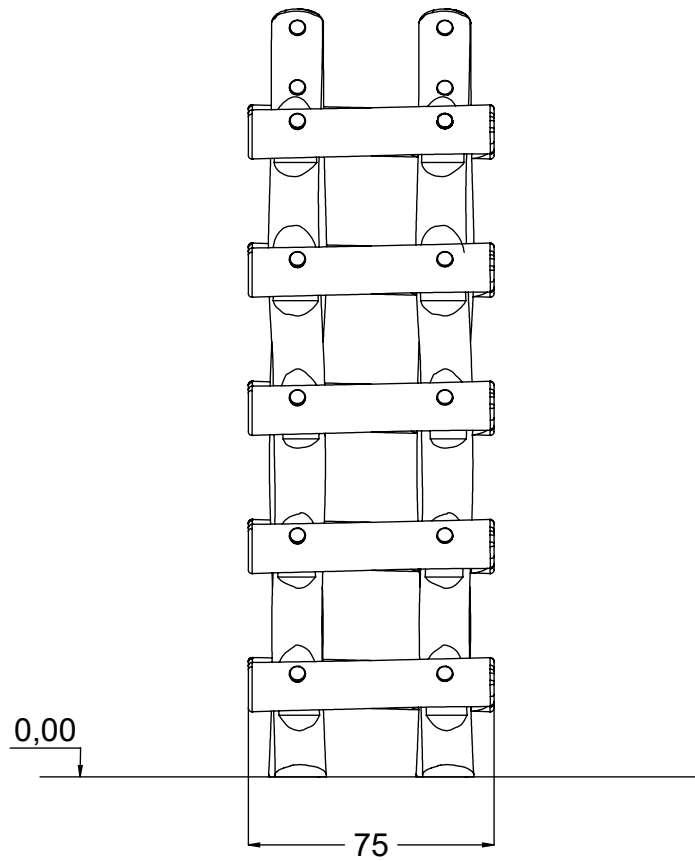
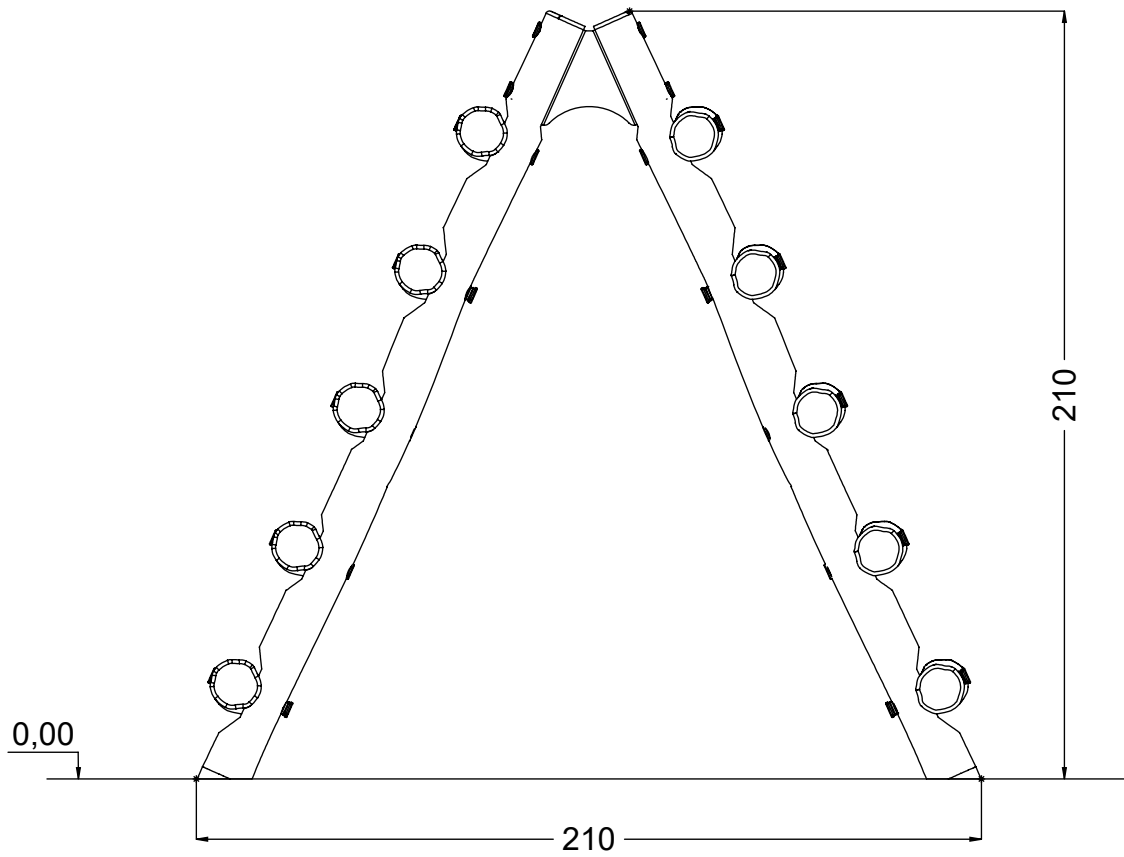
v010
07.02.2022
D. P.
[cm]

vinci
play



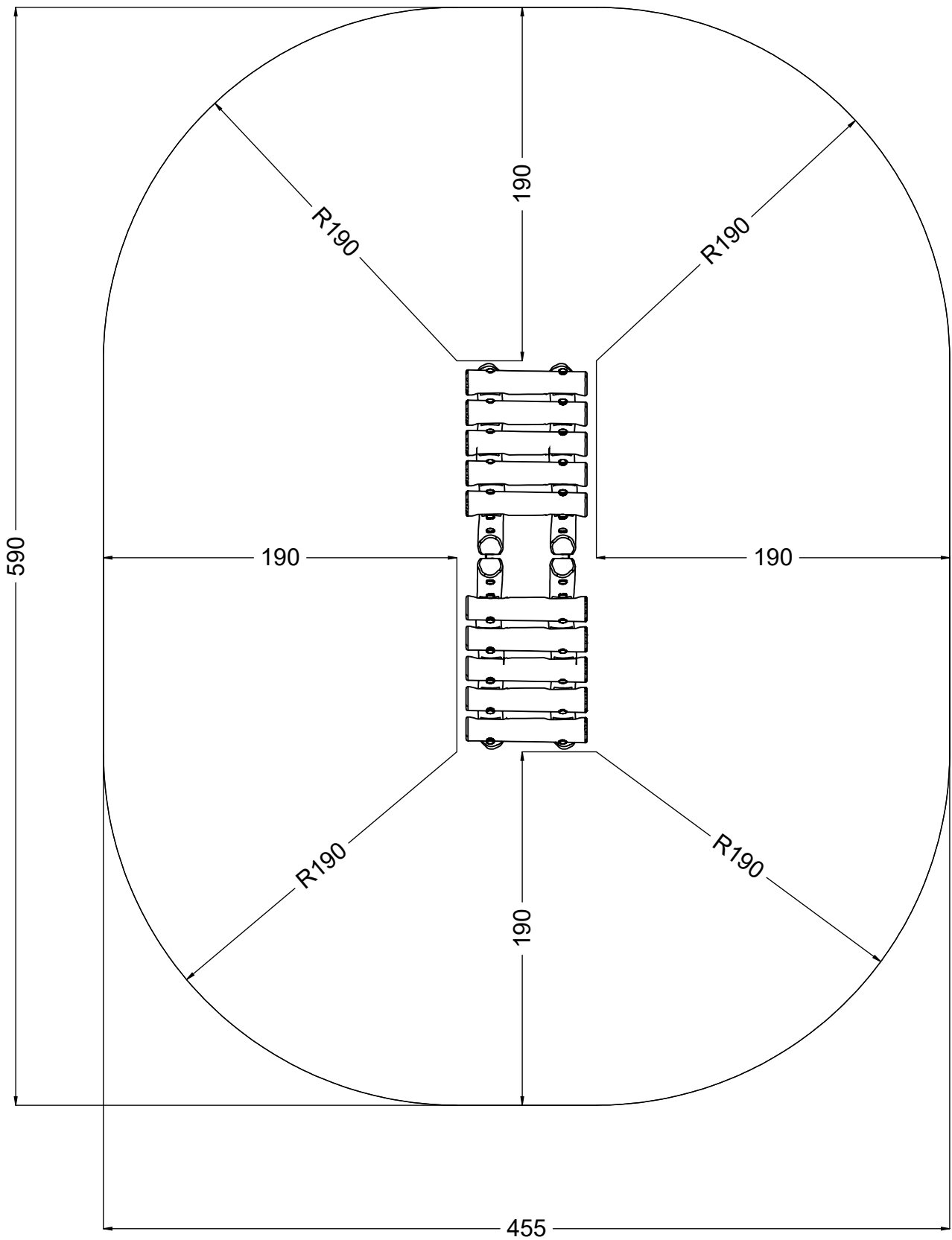
[cm]

vinci
play



[cm]

vinci
play

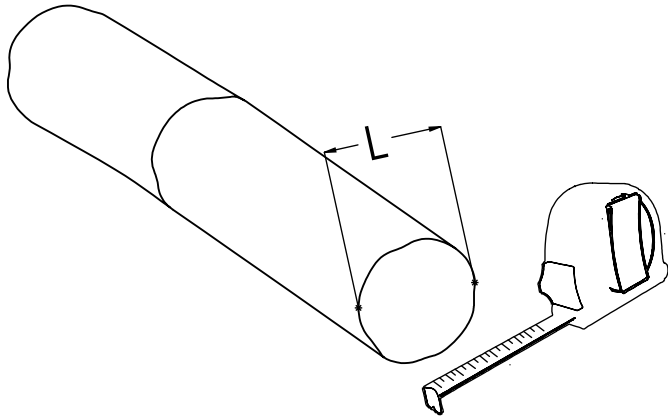
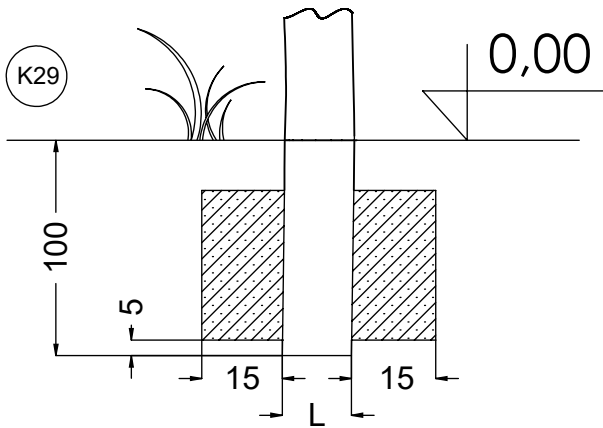


[cm]

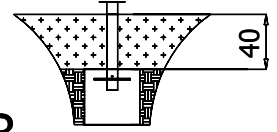


vinci
play

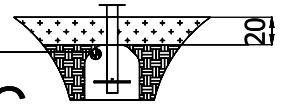
K29



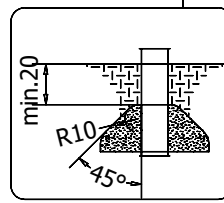
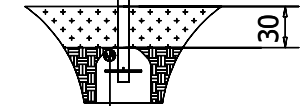
A.



B.



C.



[cm]



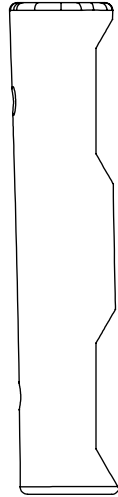
2 h



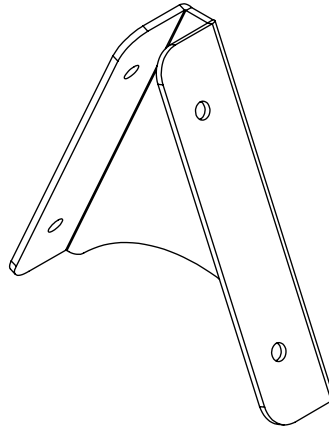
vinci play



127708
x4

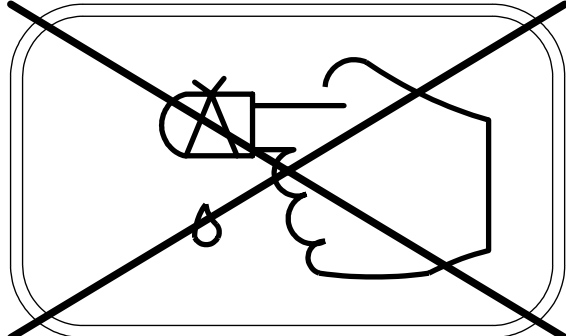
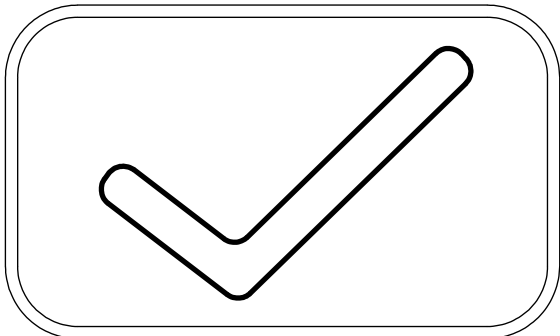
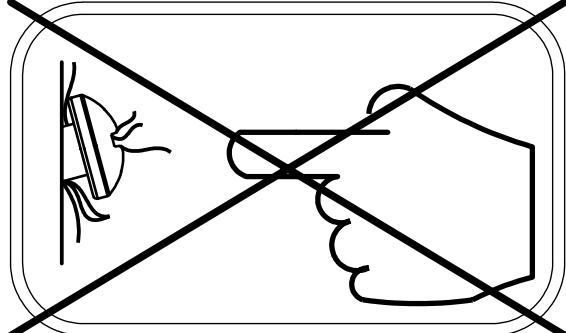
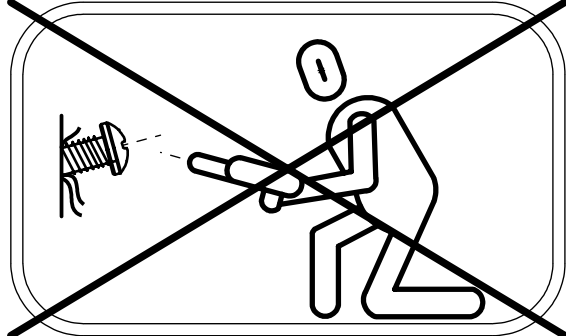
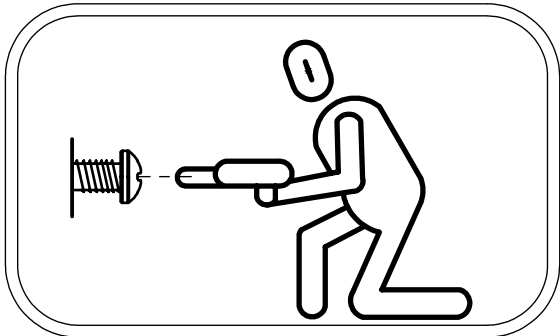


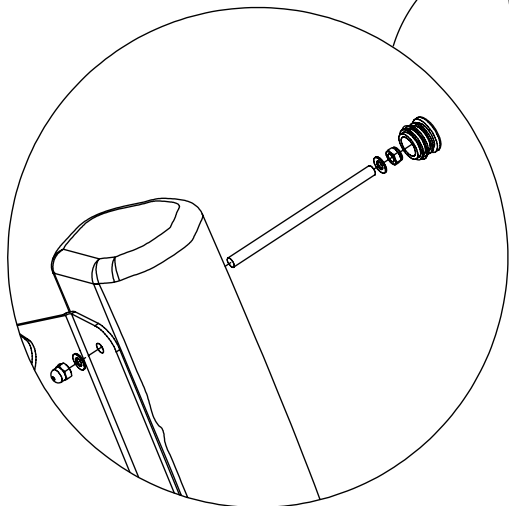
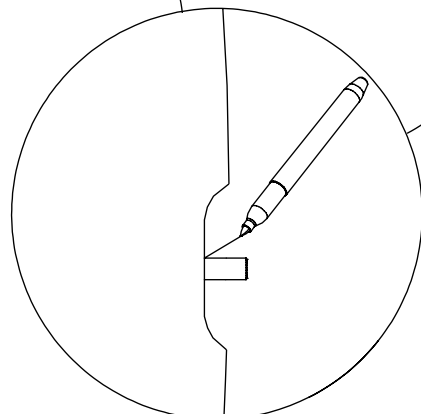
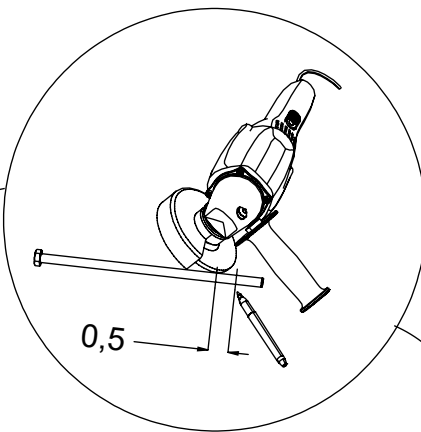
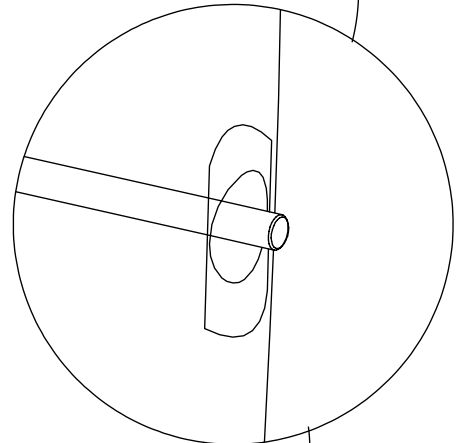
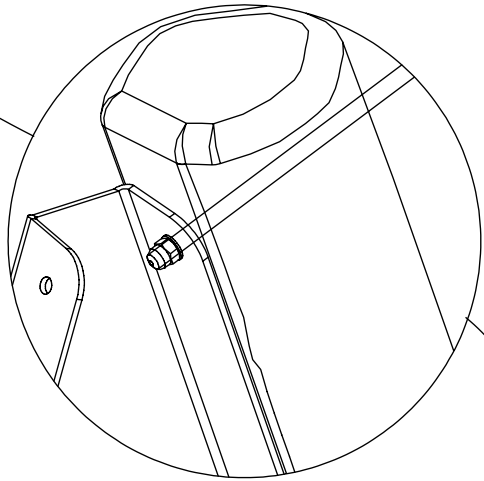
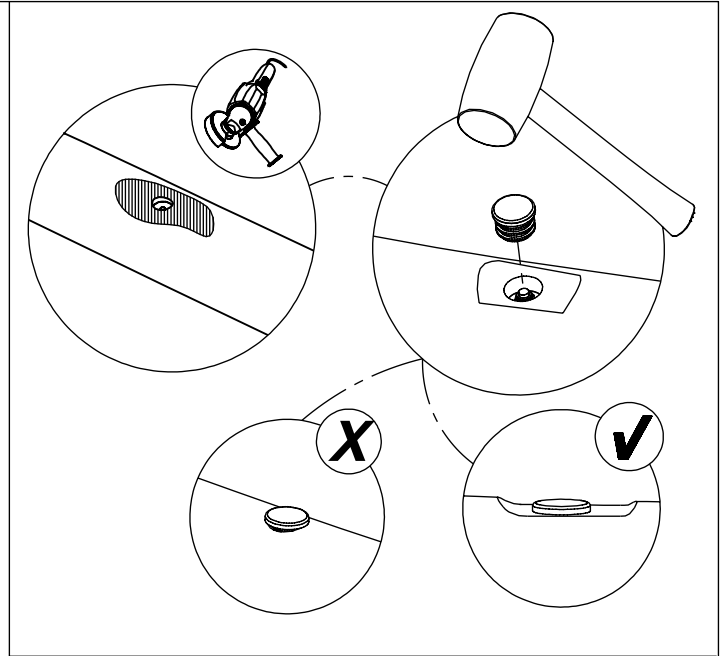
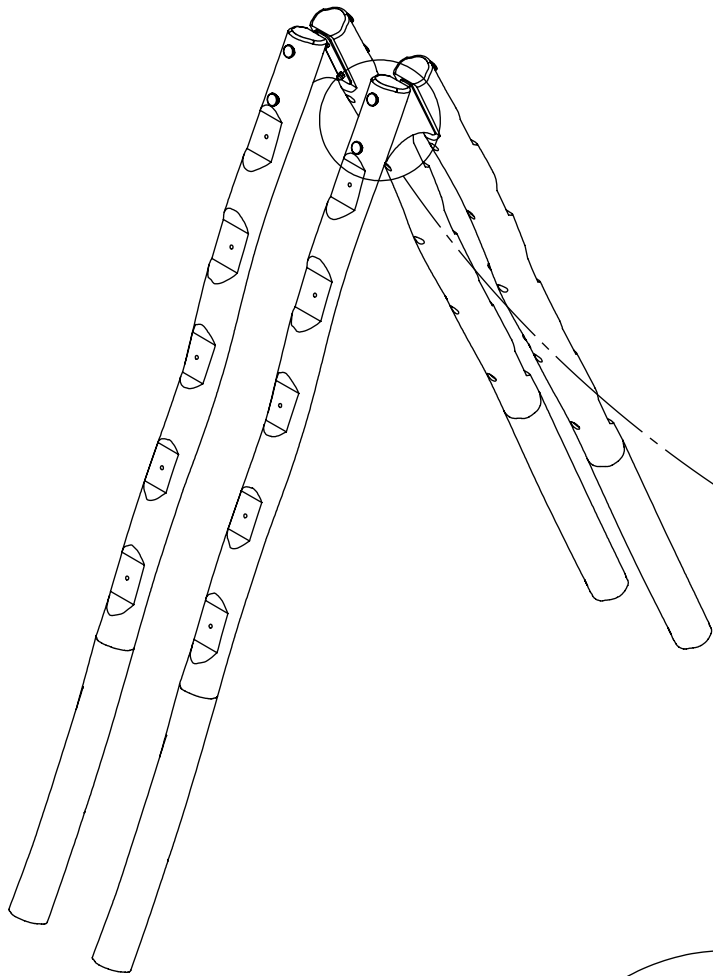
127700
x10



b700
x2

2x	12e017
20x	12e025
1x	V001

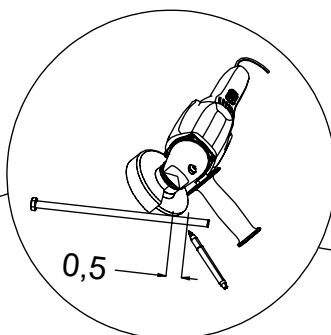
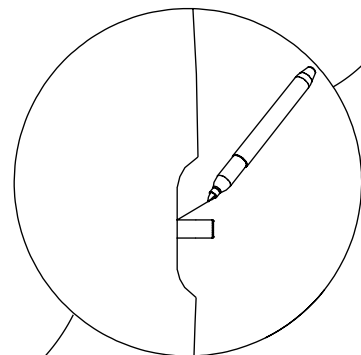
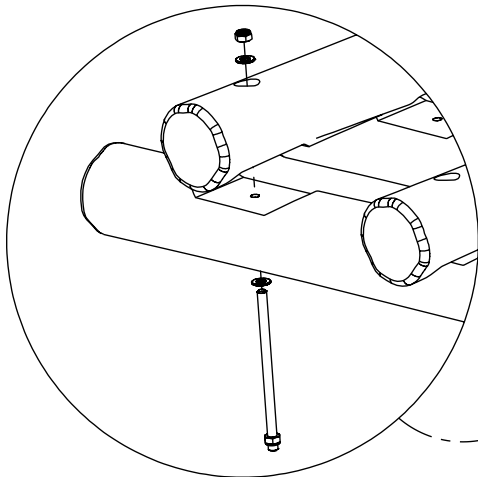
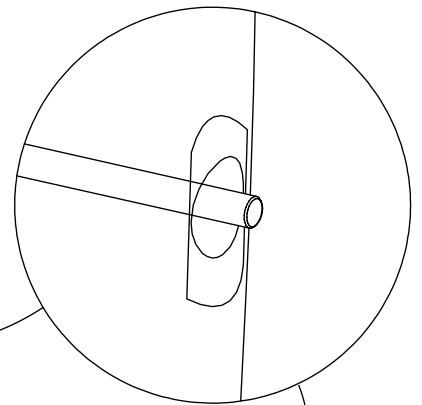
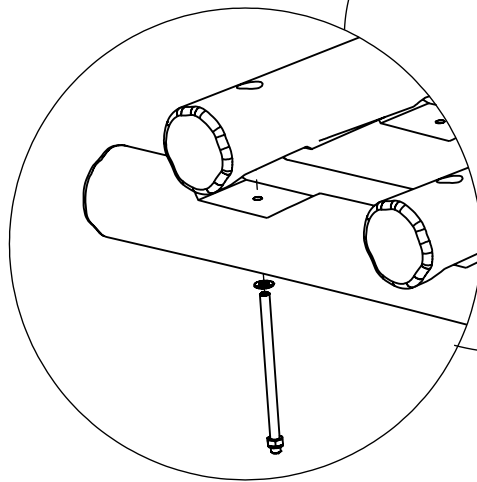
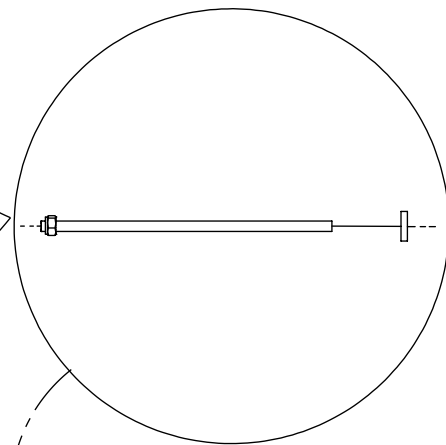
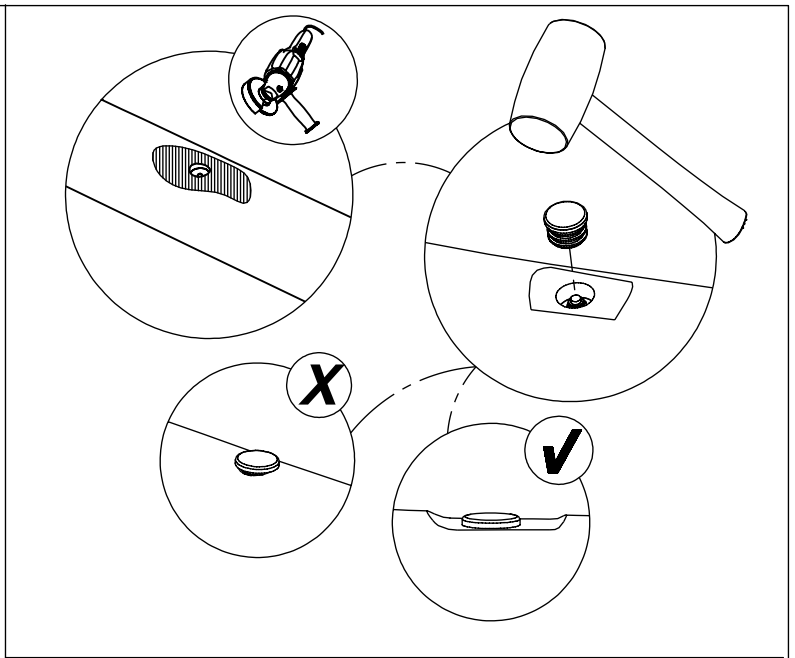
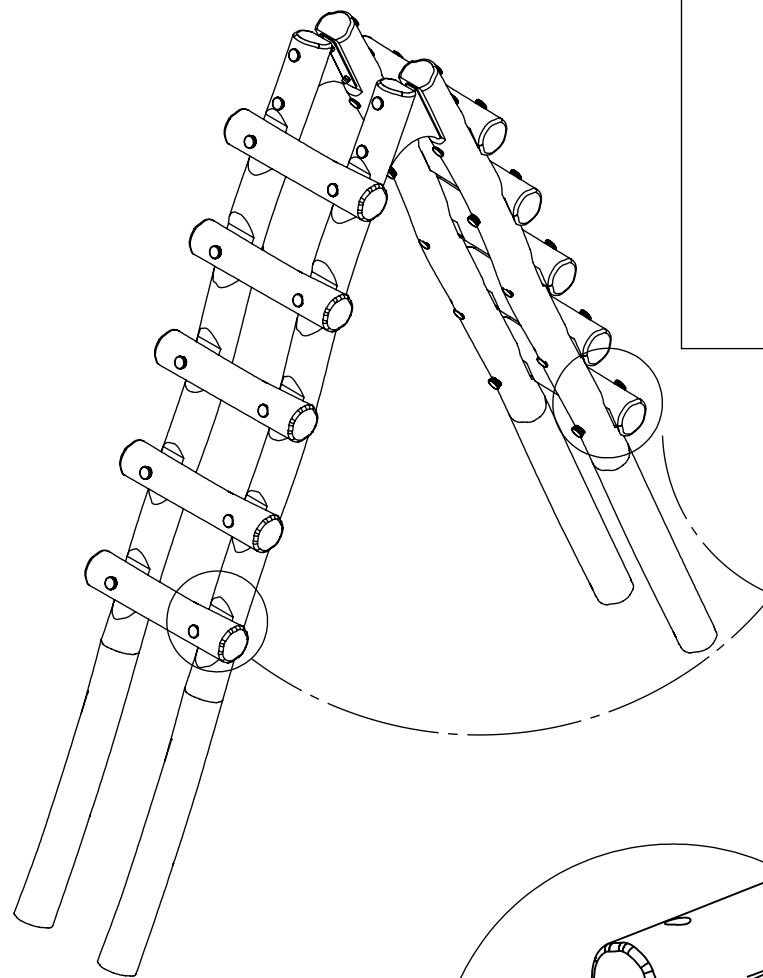




2x 12e017

[cm]

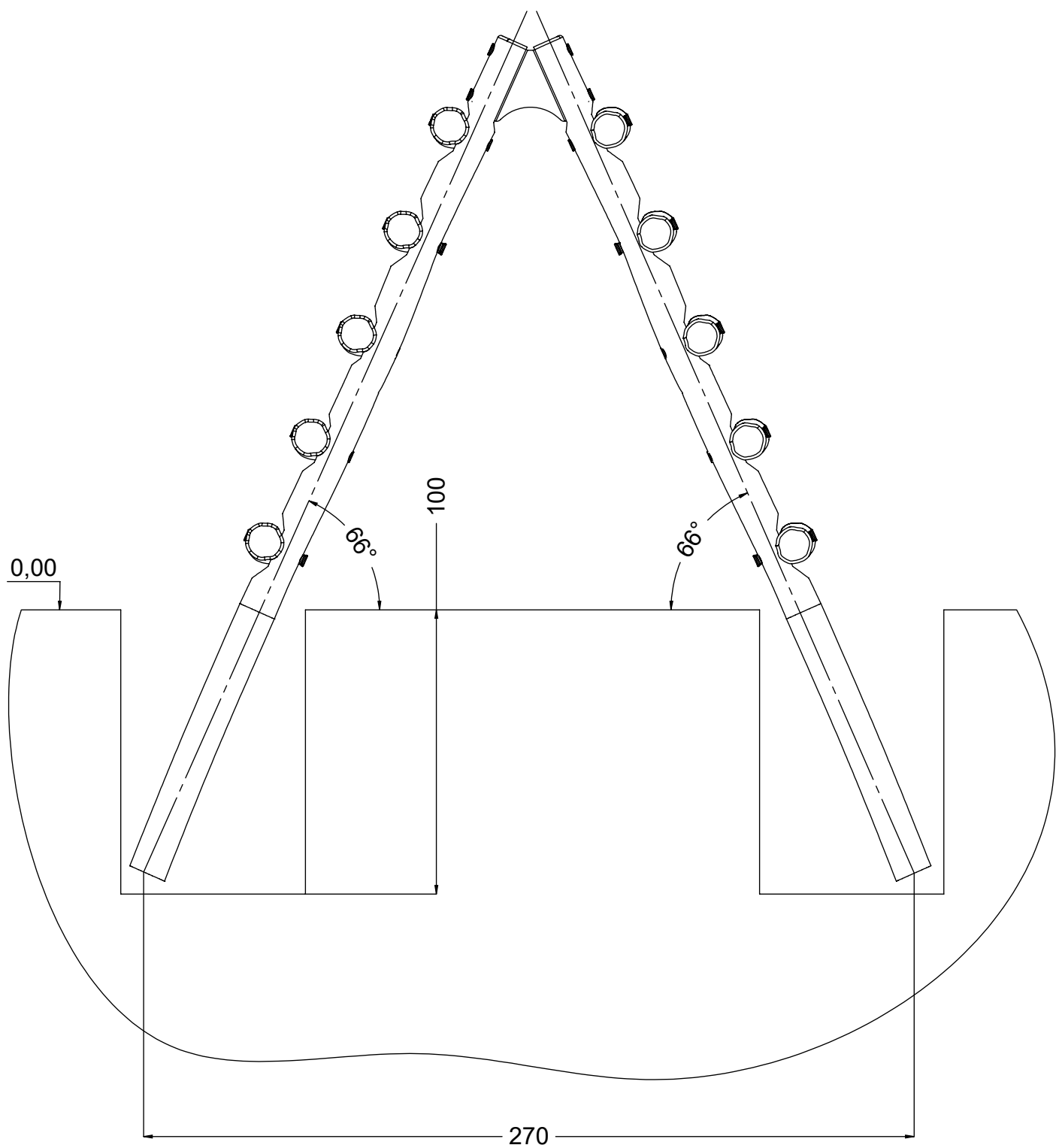
vinci
play



[cm]

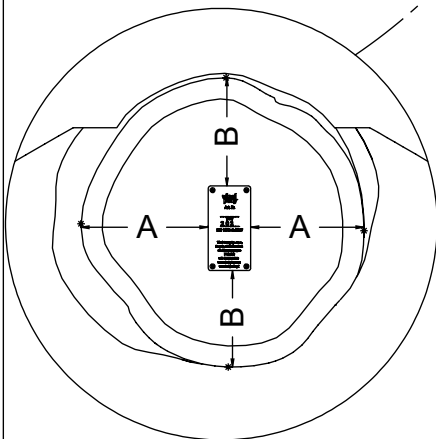
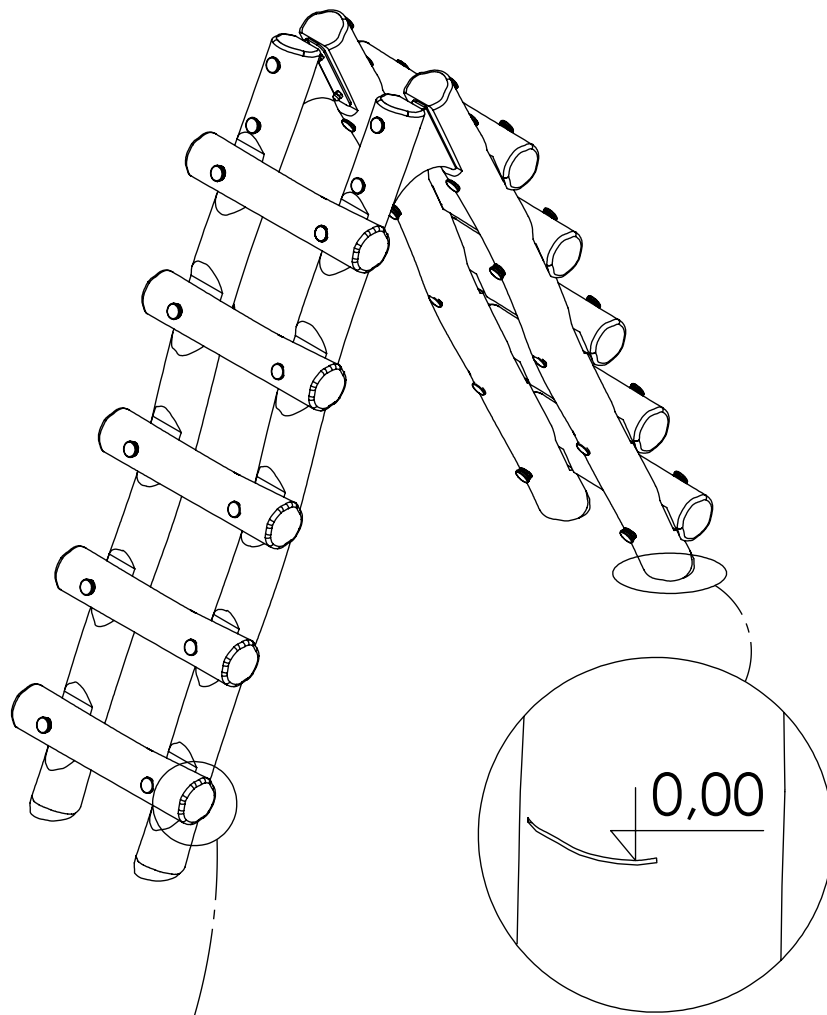
20x 12e025

vinci
play

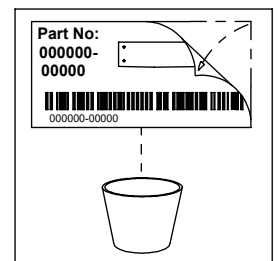
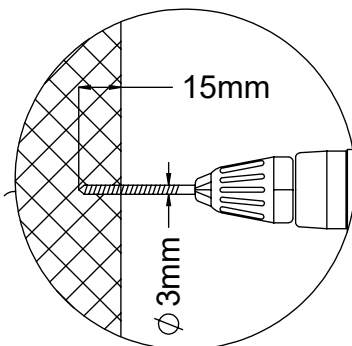


[cm]

vinci
play



A=A
B=B



[cm]

vinci
play