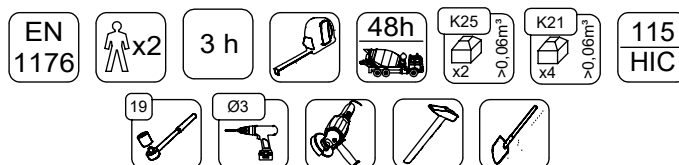
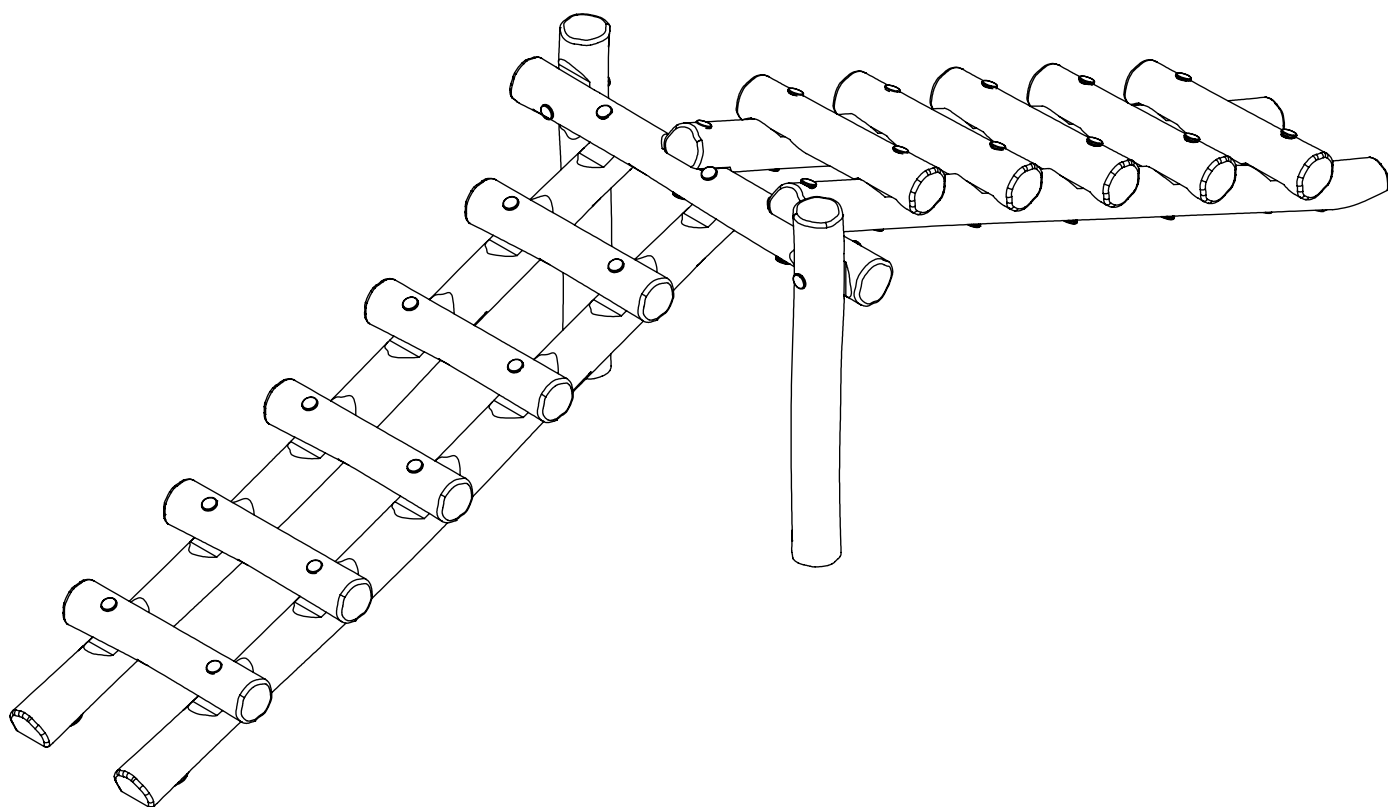
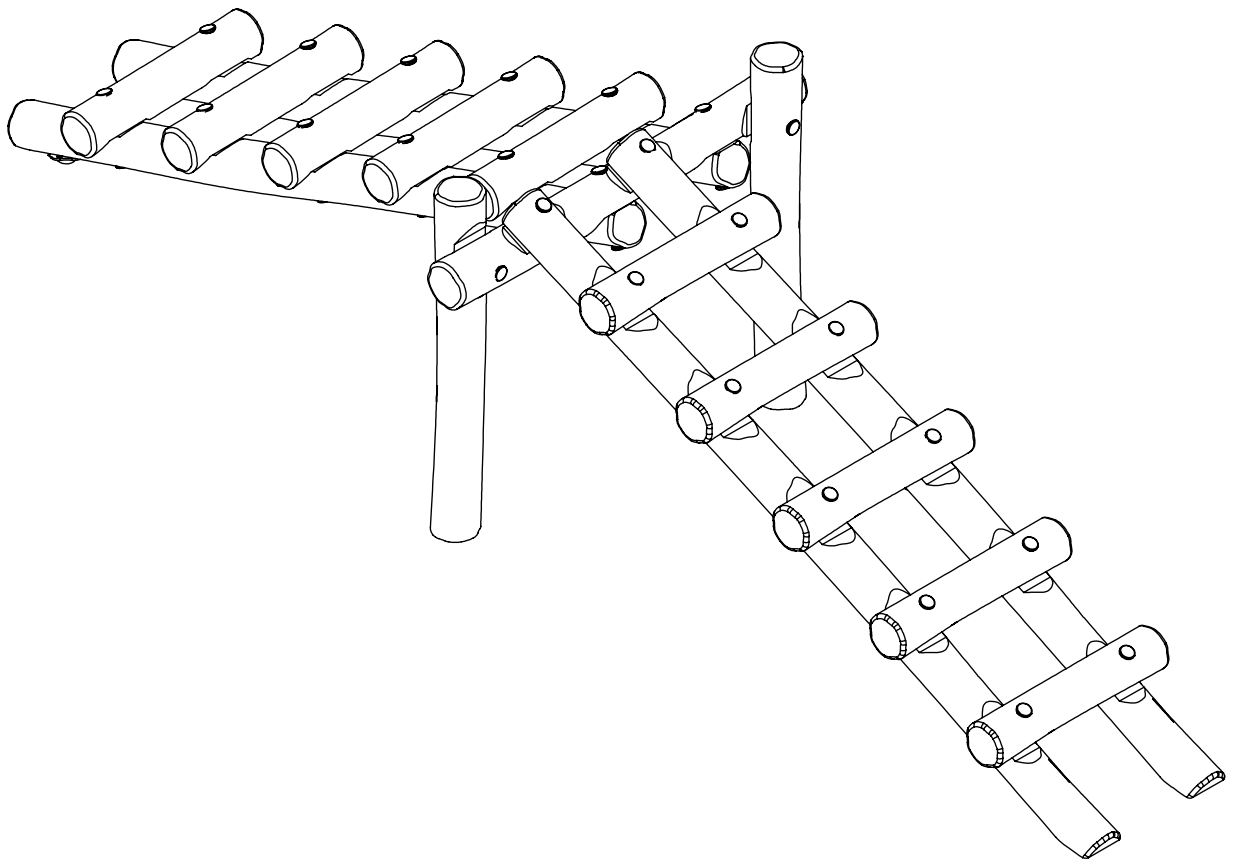
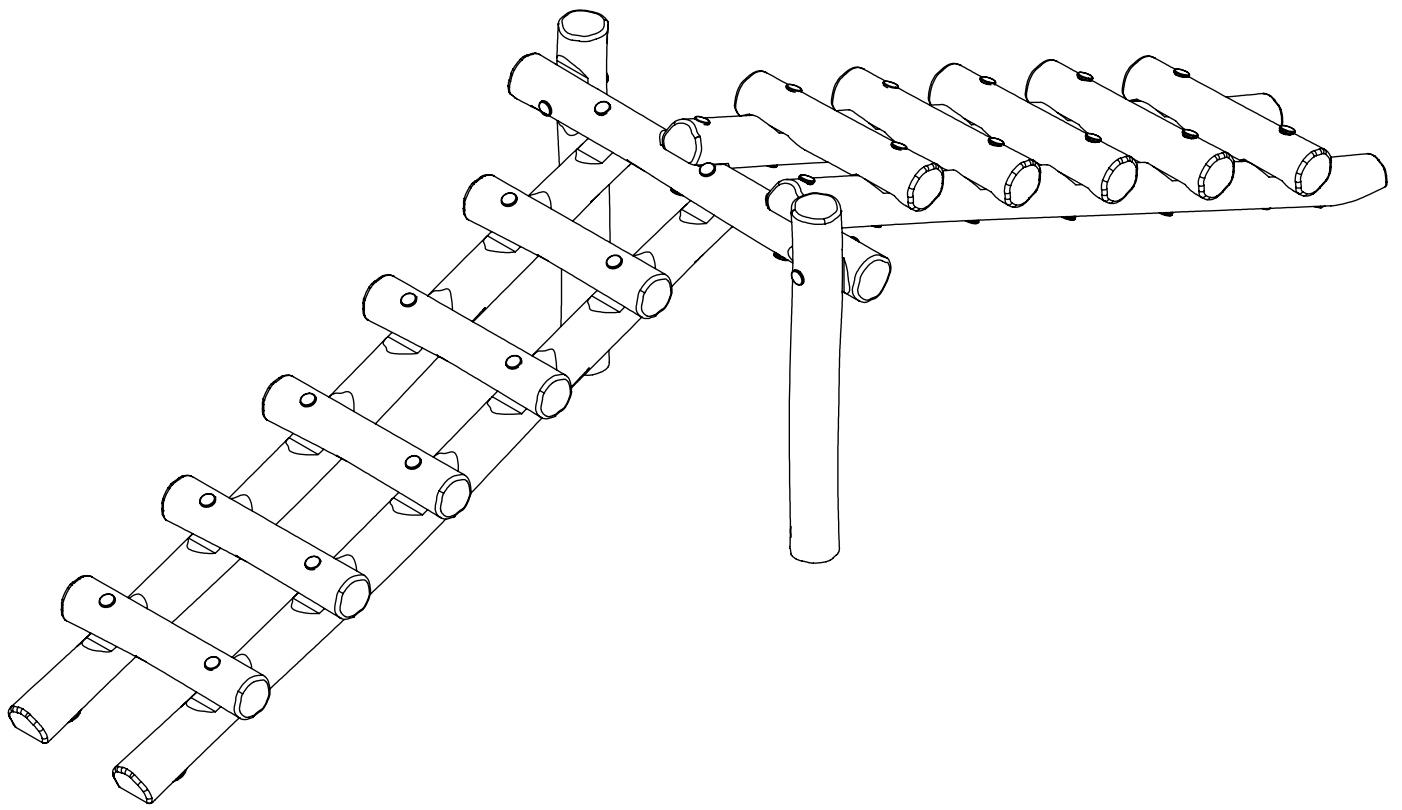


# RB1283



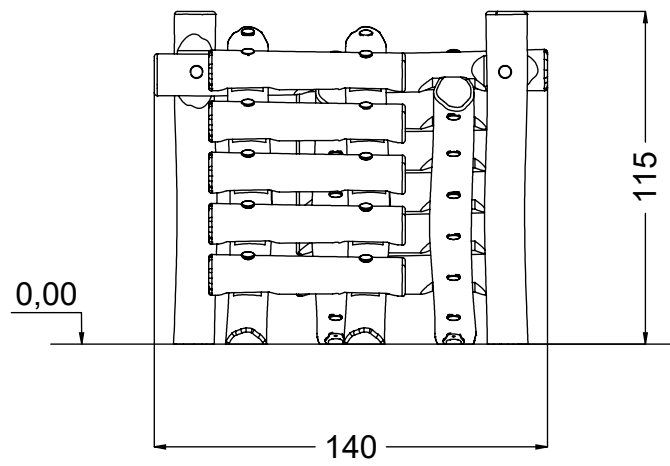
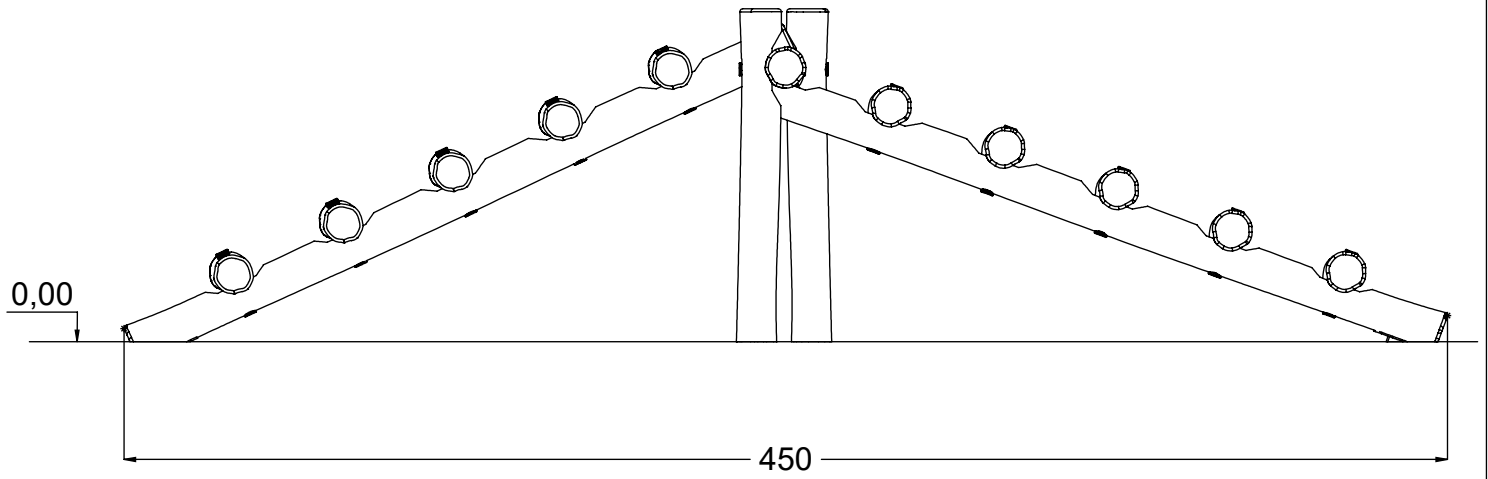
v010  
07.02.2022  
D. P.  
[cm]

vinci  
play



[cm]

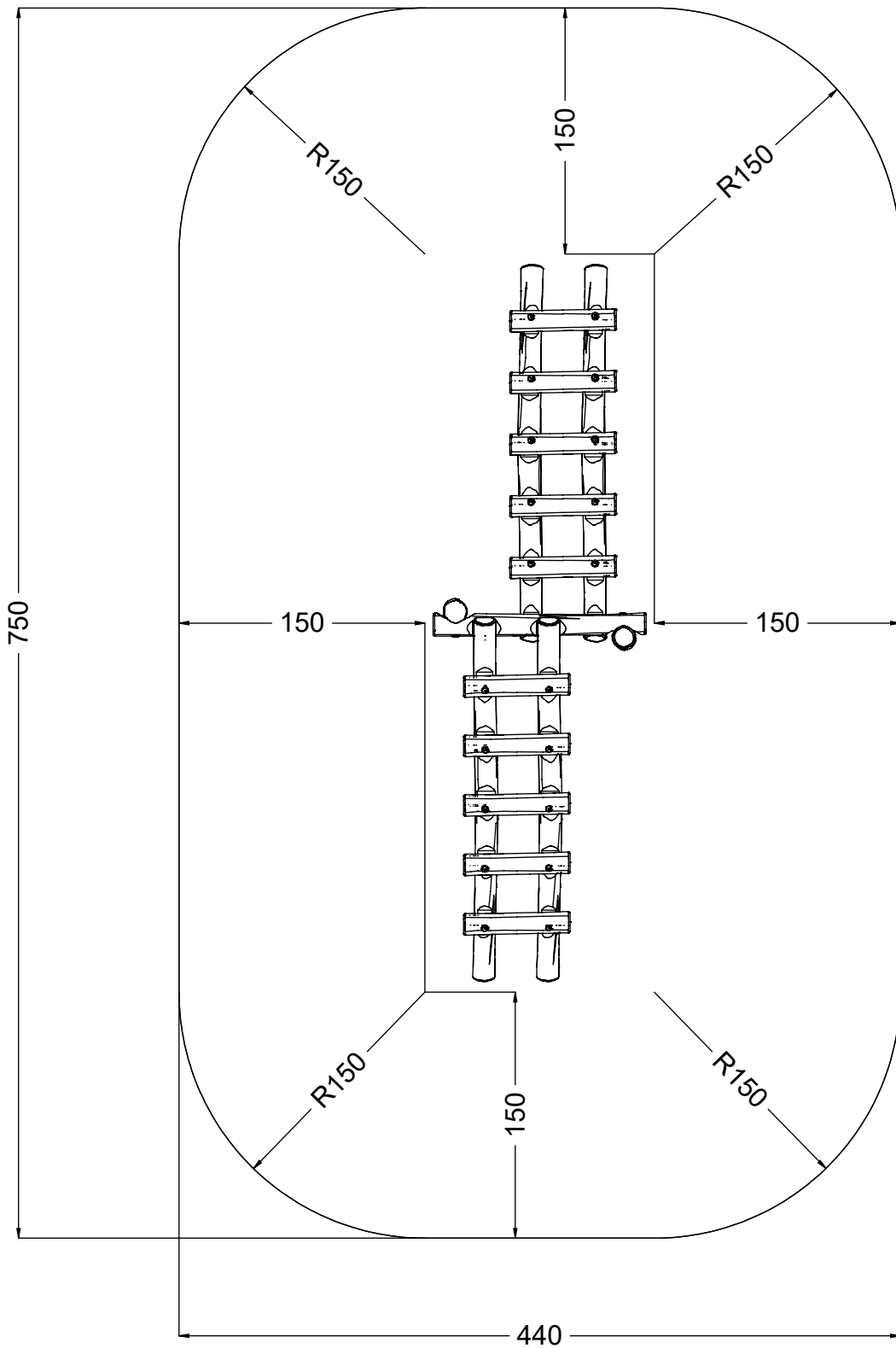
vinci  
play



[cm]



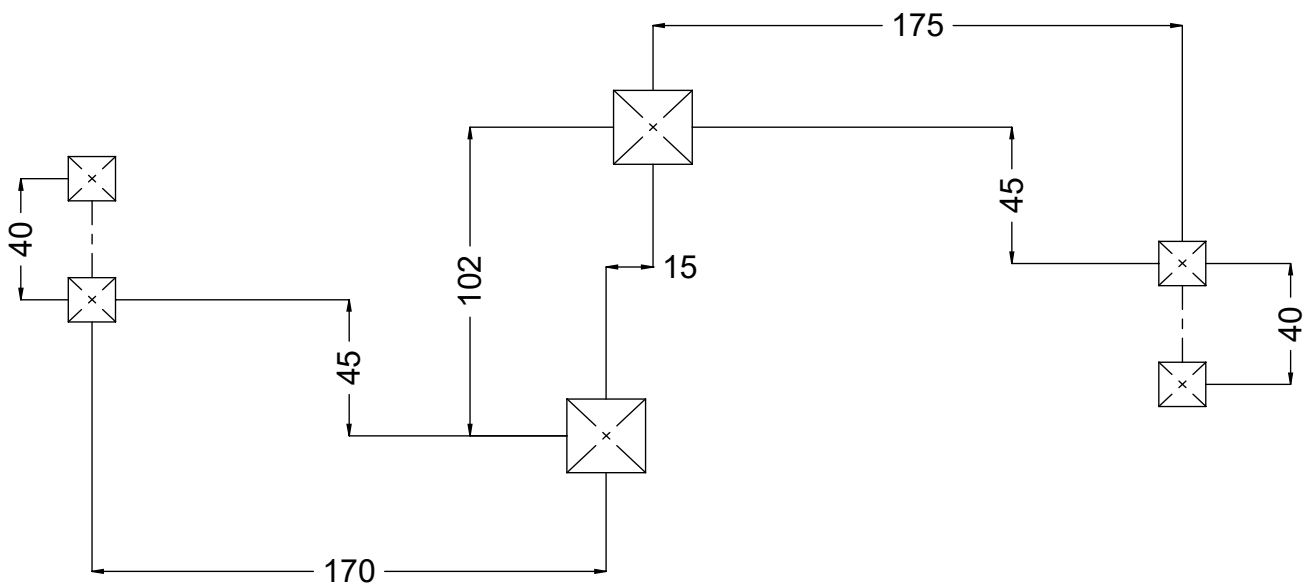
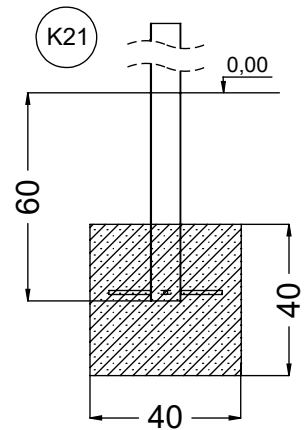
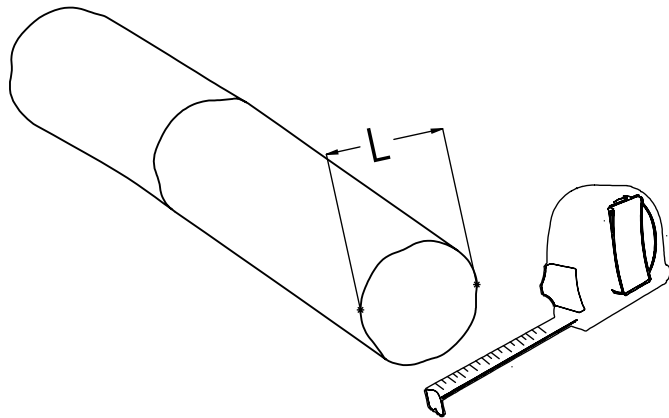
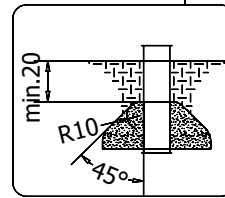
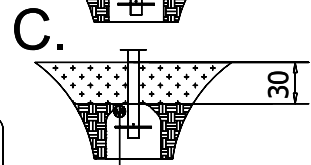
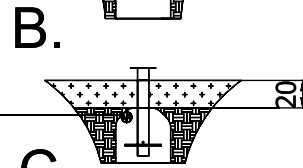
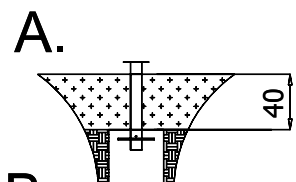
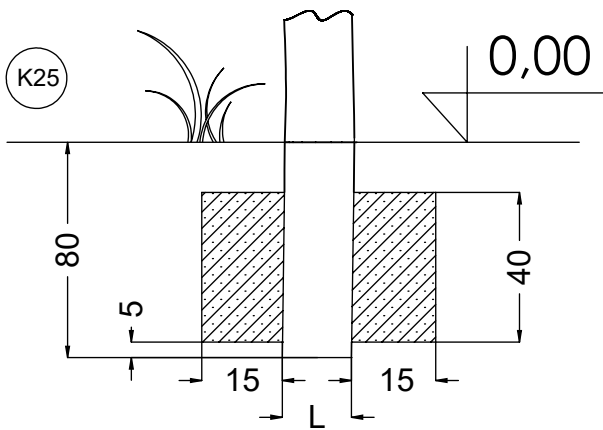
vinci  
play



[cm]



vinci  
play



[cm]



3 h



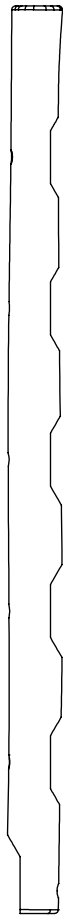
vinci  
play



127700  
x10



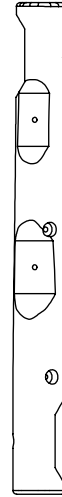
127701  
x2



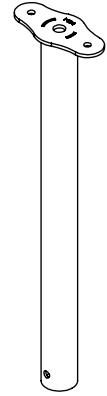
127702  
x2



127703  
x2

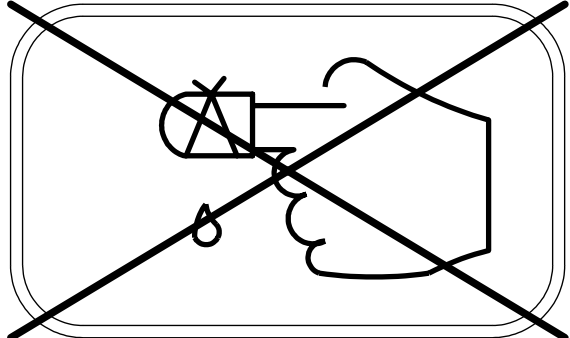
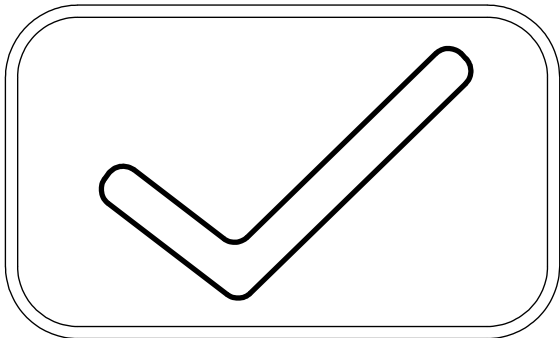
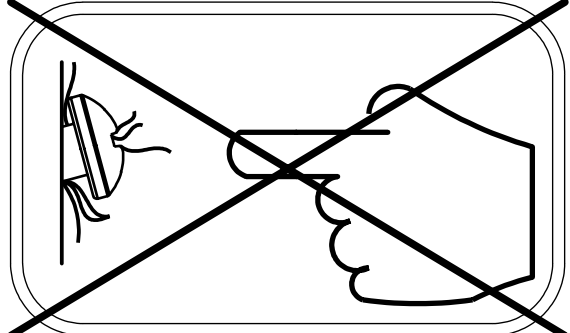
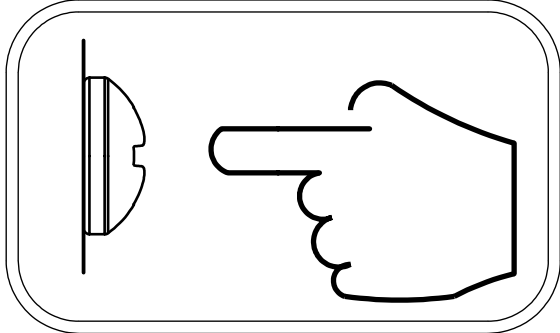
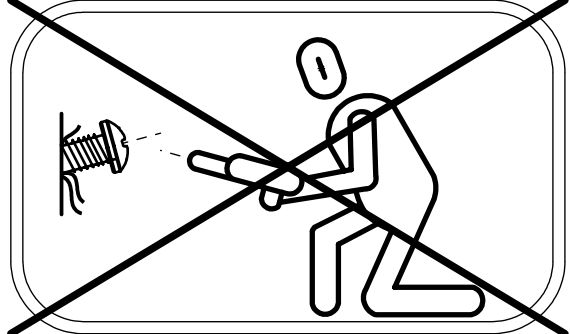
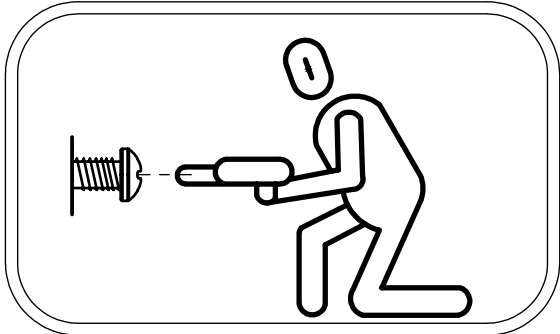


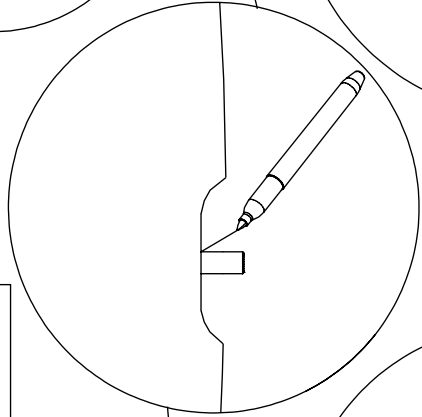
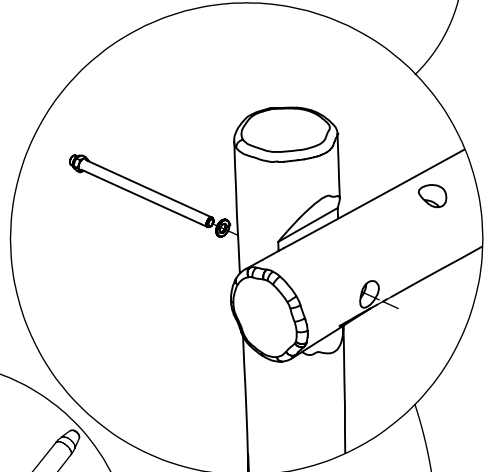
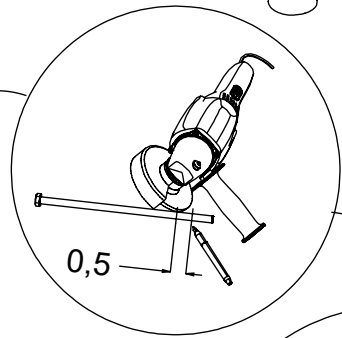
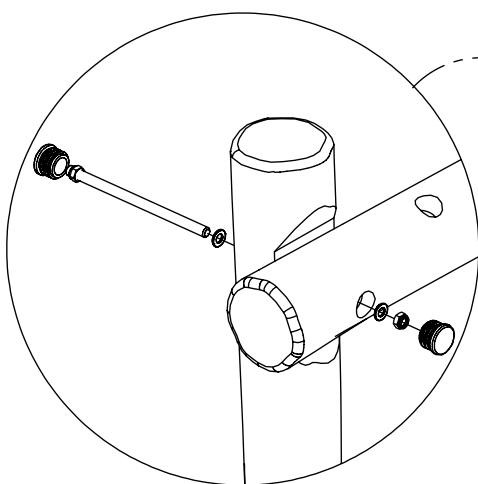
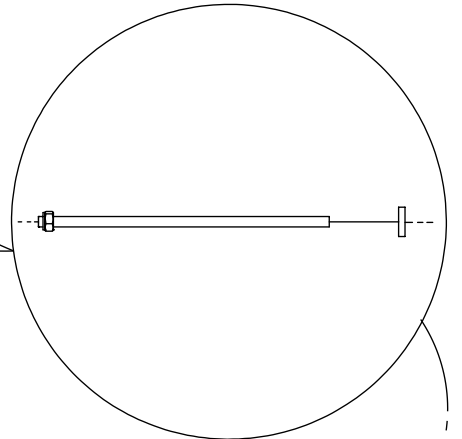
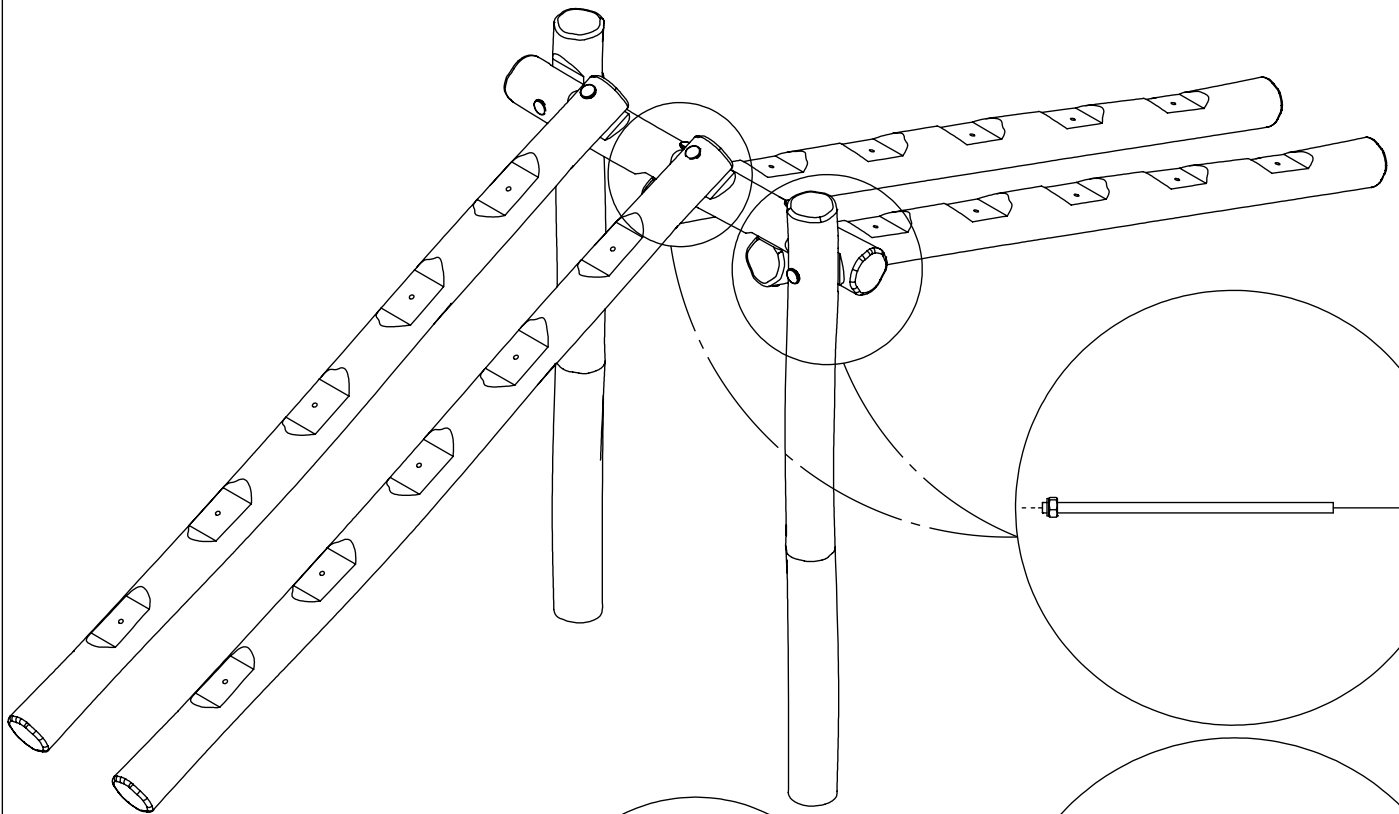
127704  
x1



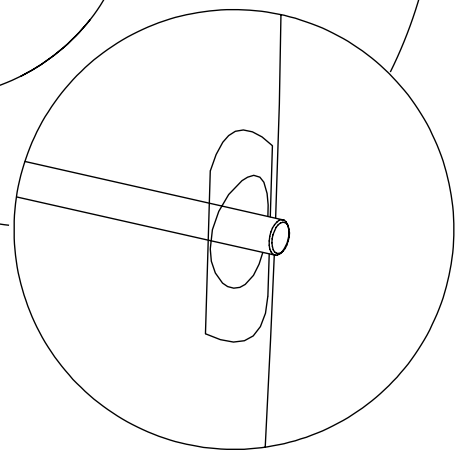
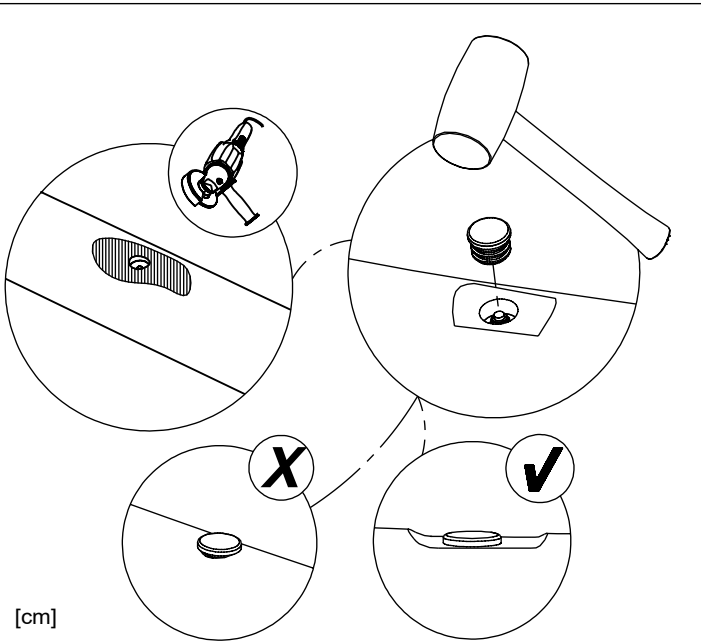
082112  
x4

8x	8x50 sxi
26x	12e025
1x	V001





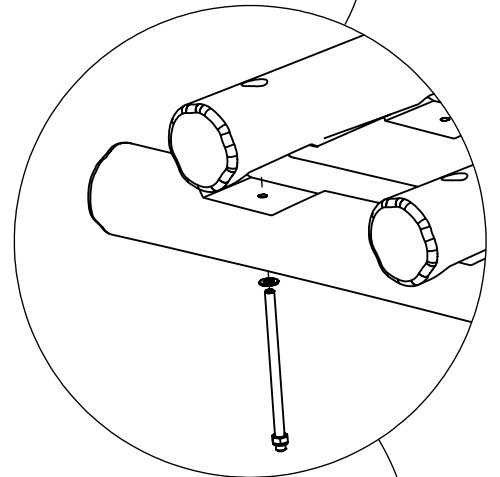
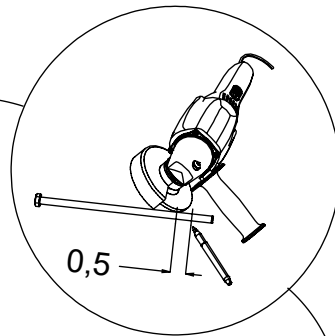
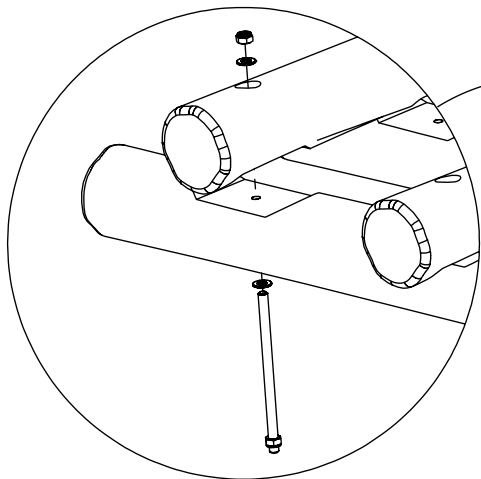
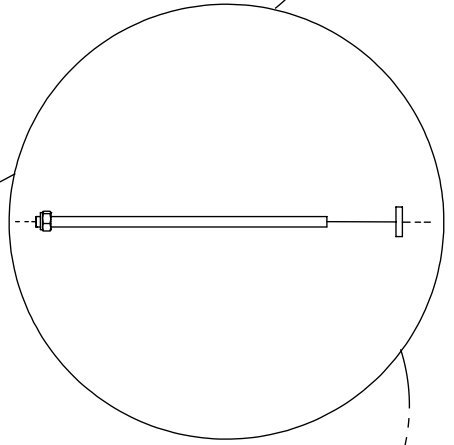
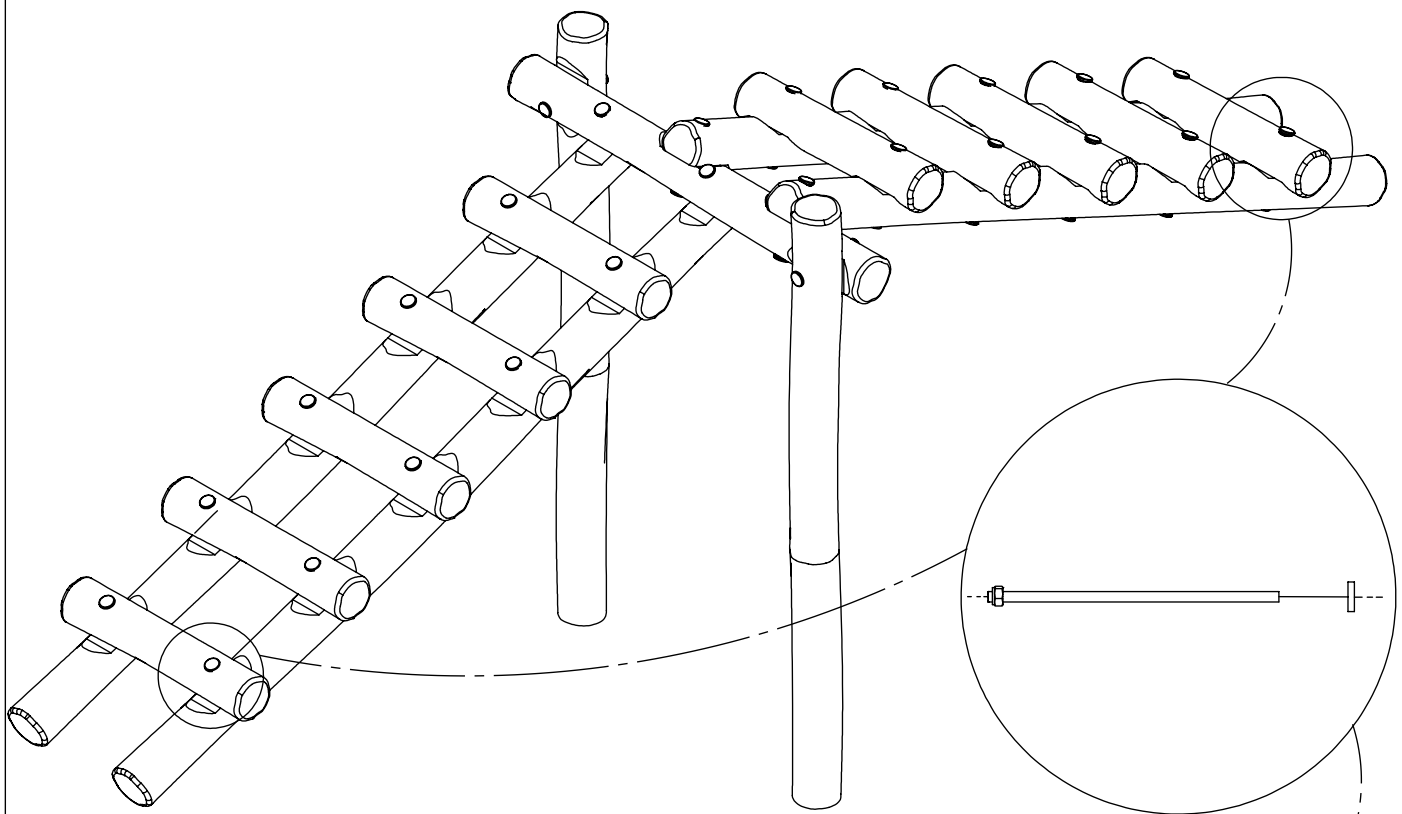
6x 12e025



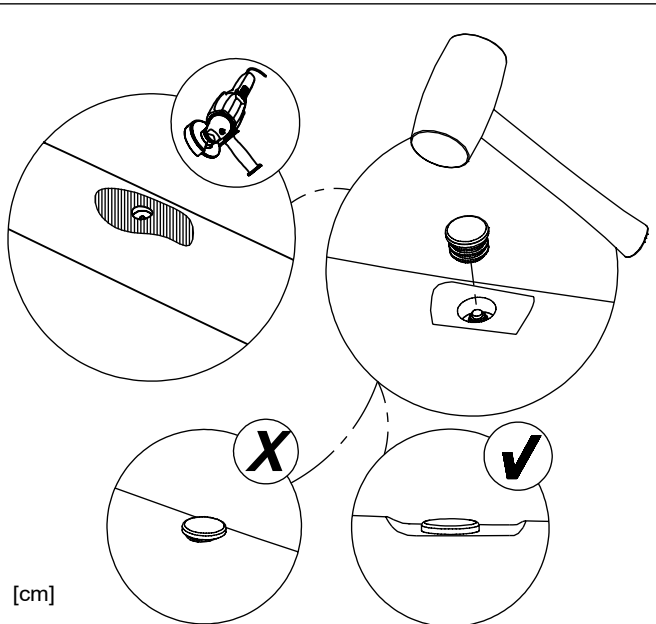
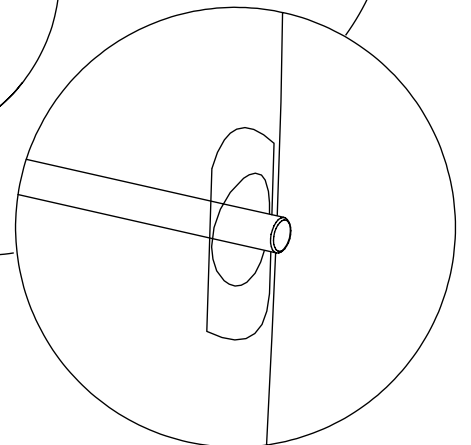
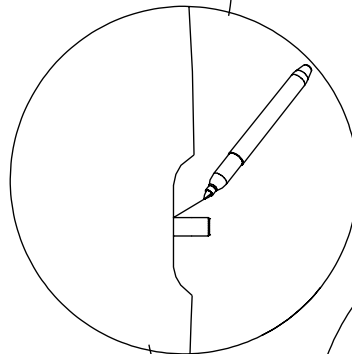
[cm]

vinci play



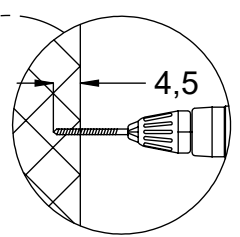
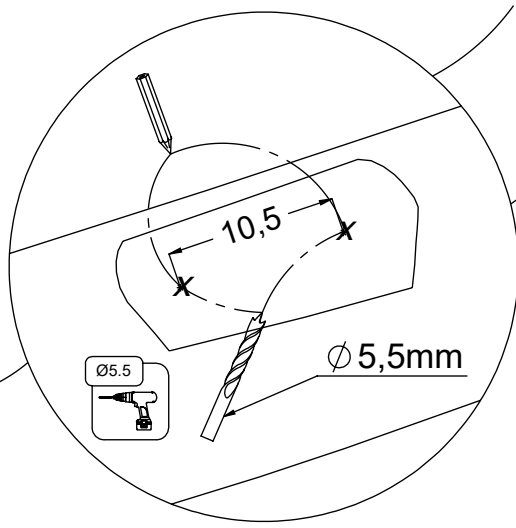
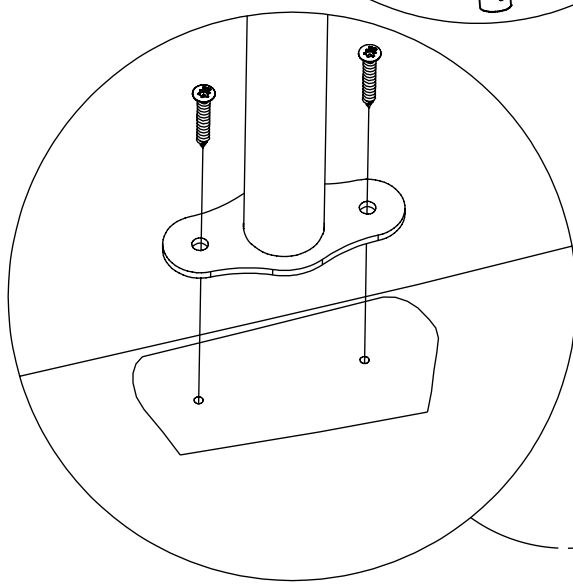
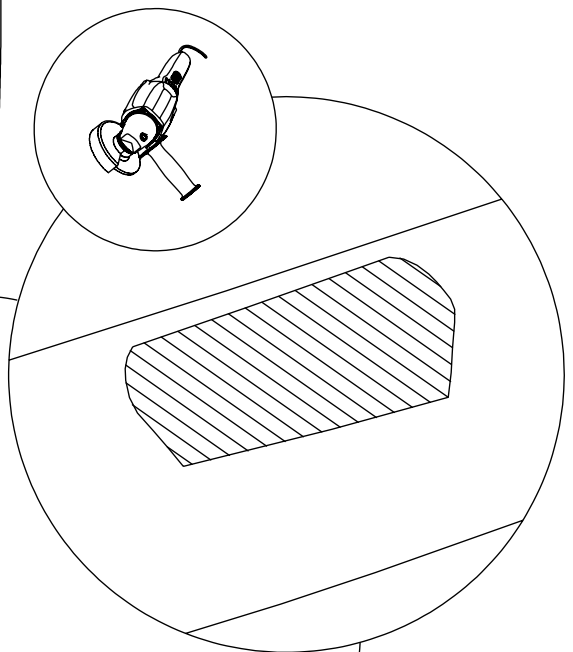
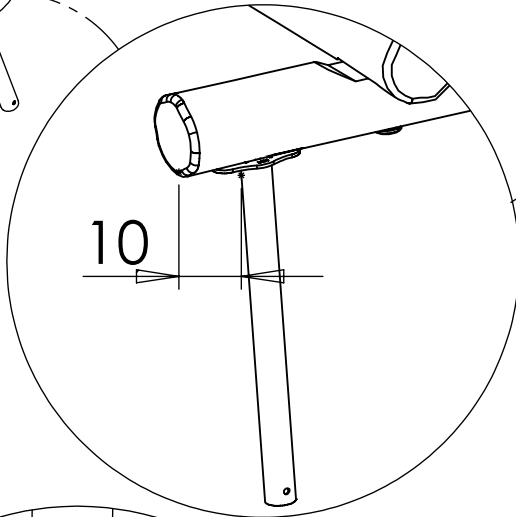
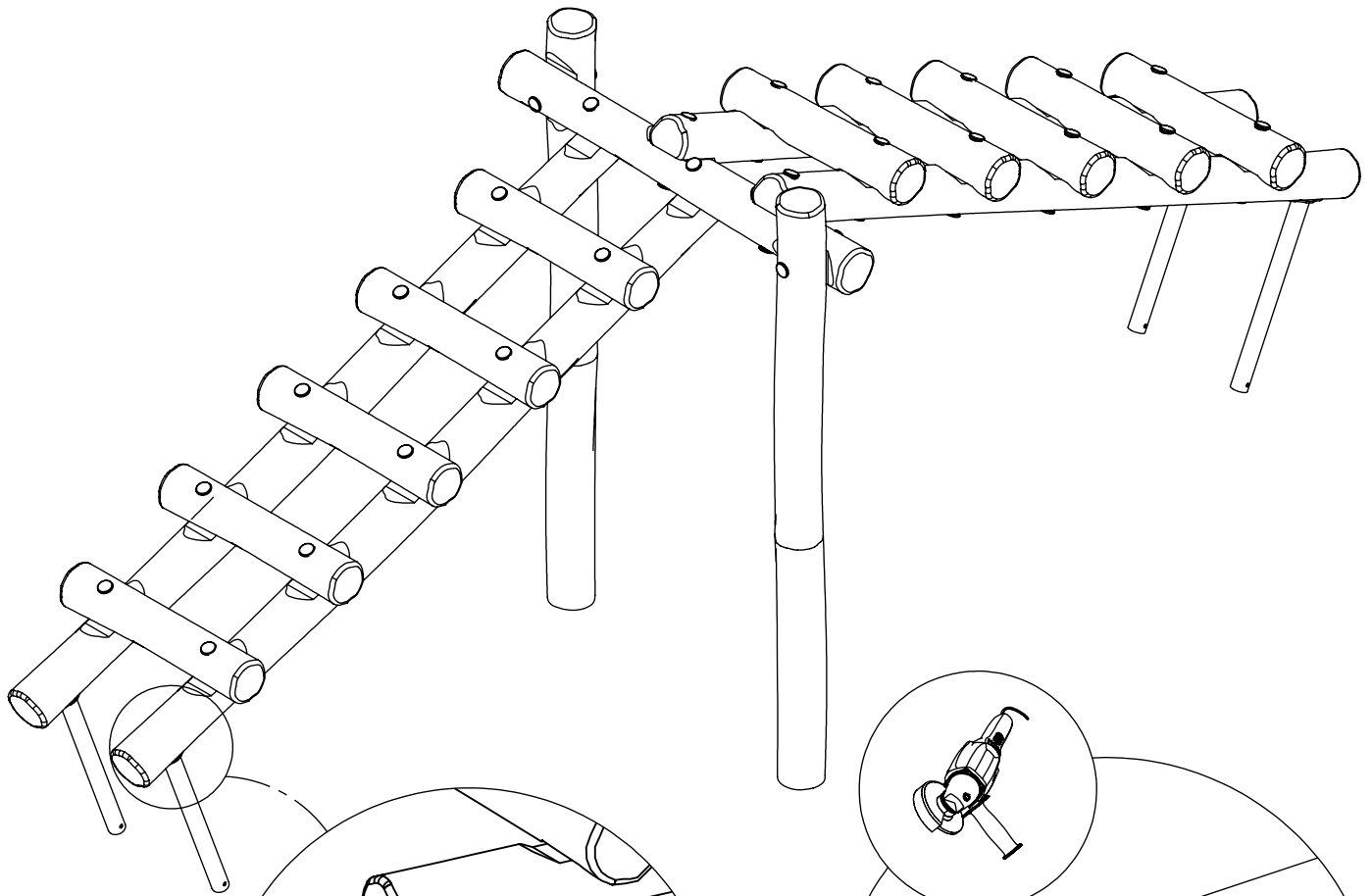


20x 12e025



[cm]

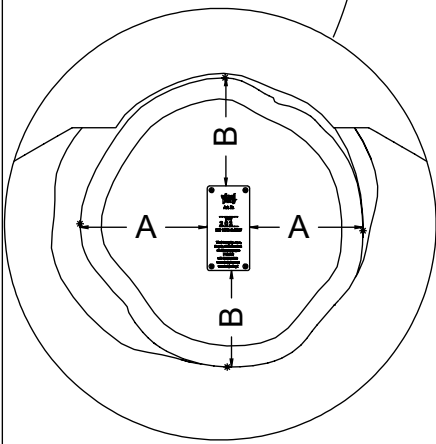
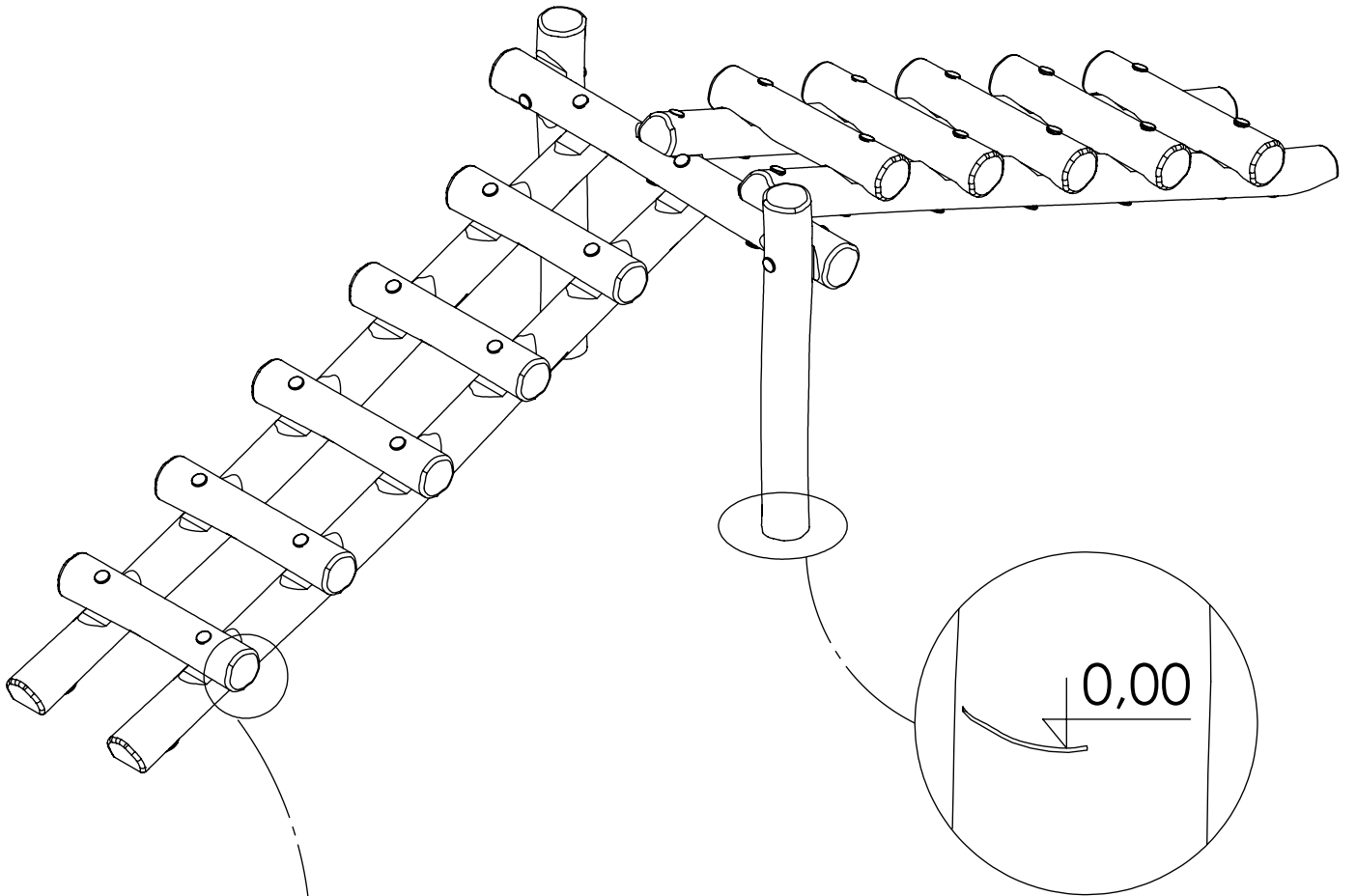
vinci  
play



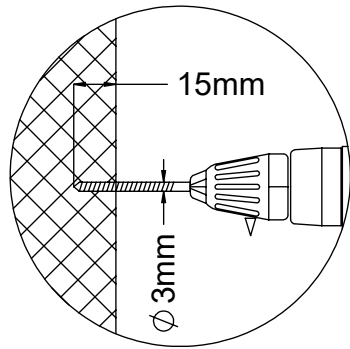
8x 8x50sxi

[cm]

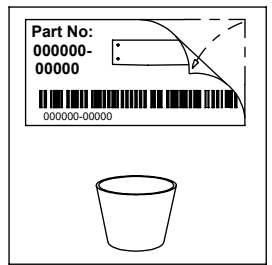
vinci  
play



A=A  
B=B



V001



[cm]

vinci  
play