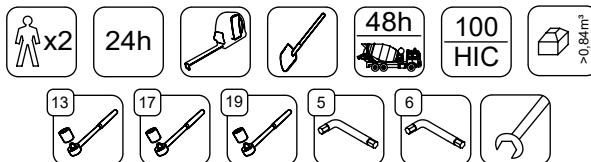
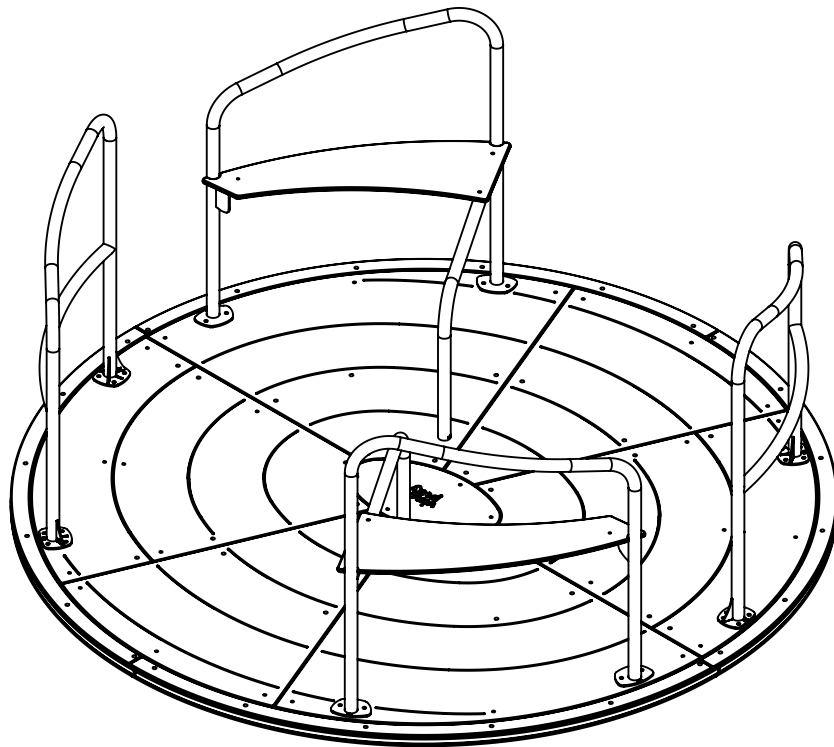
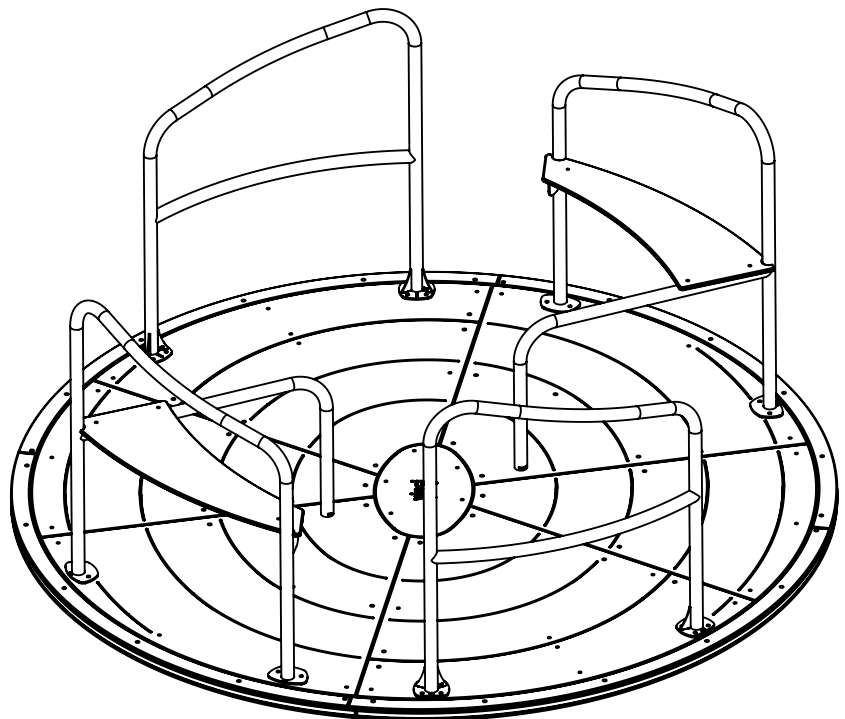
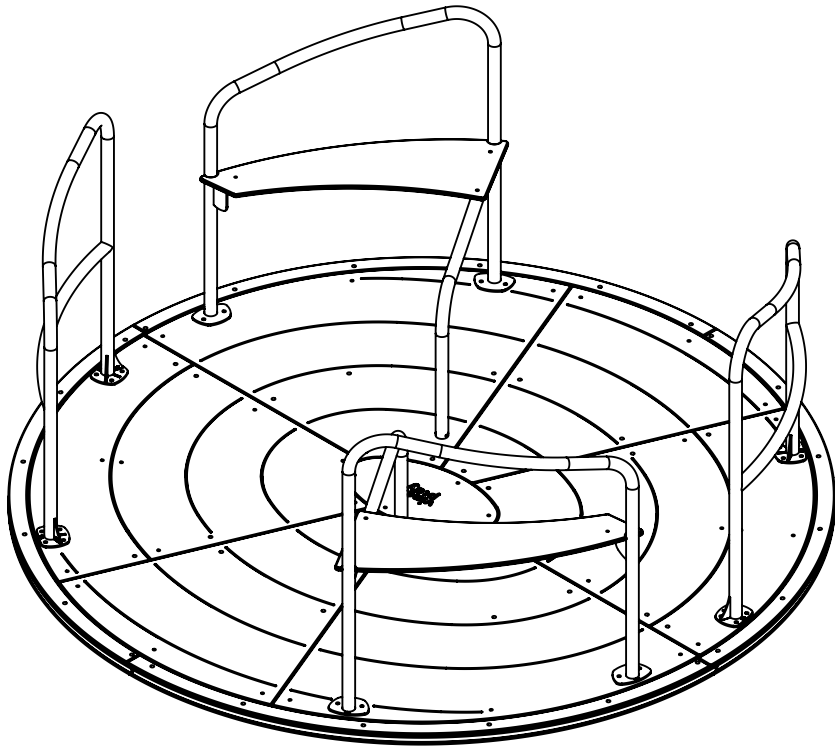


0728



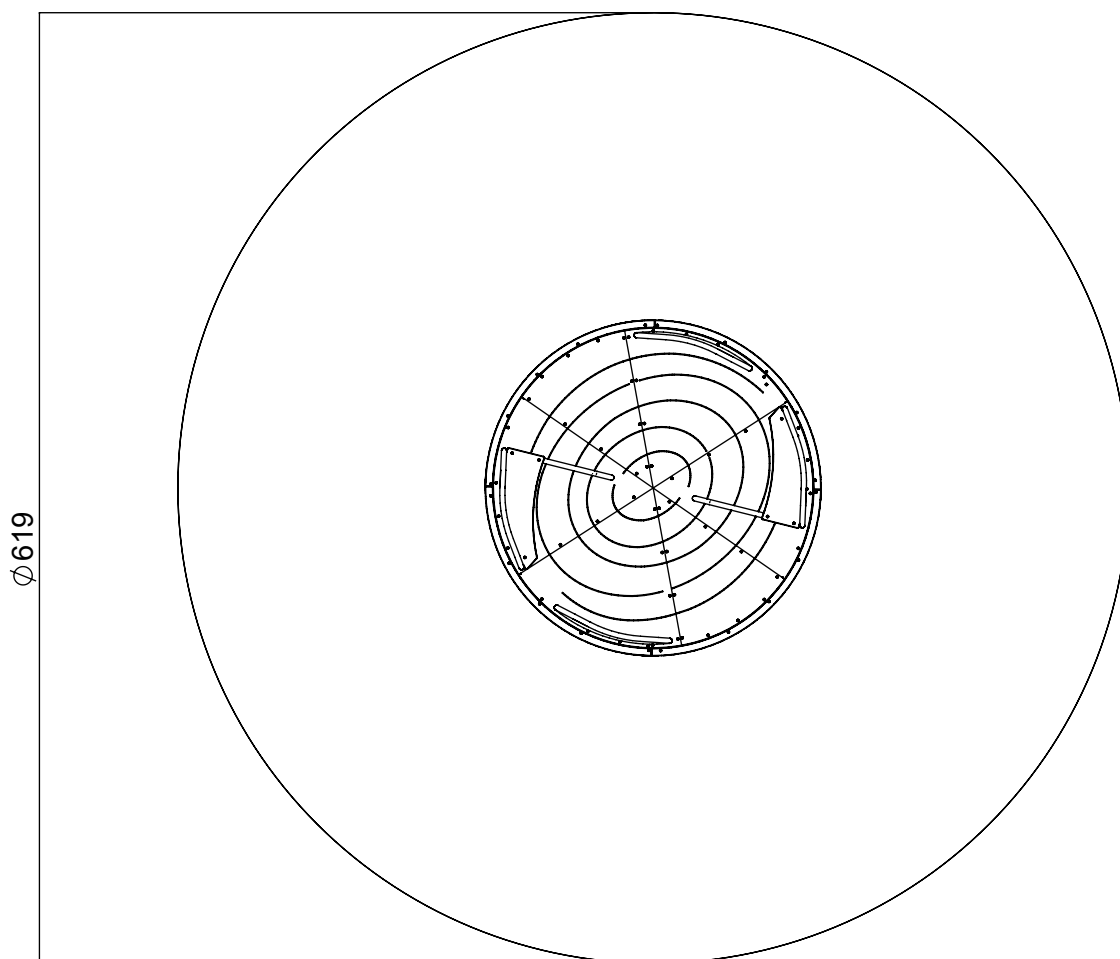
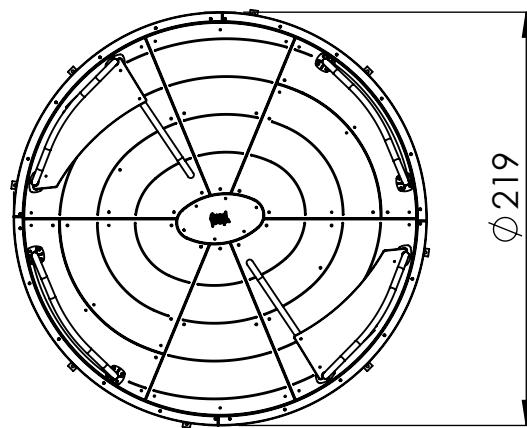
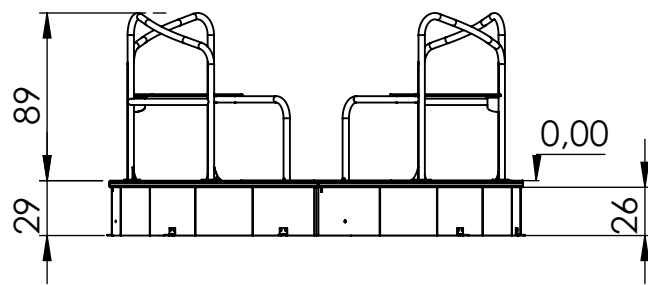
v010
08.01.2021
I.A.
[cm]

vinci
play



[cm]

vinci
play

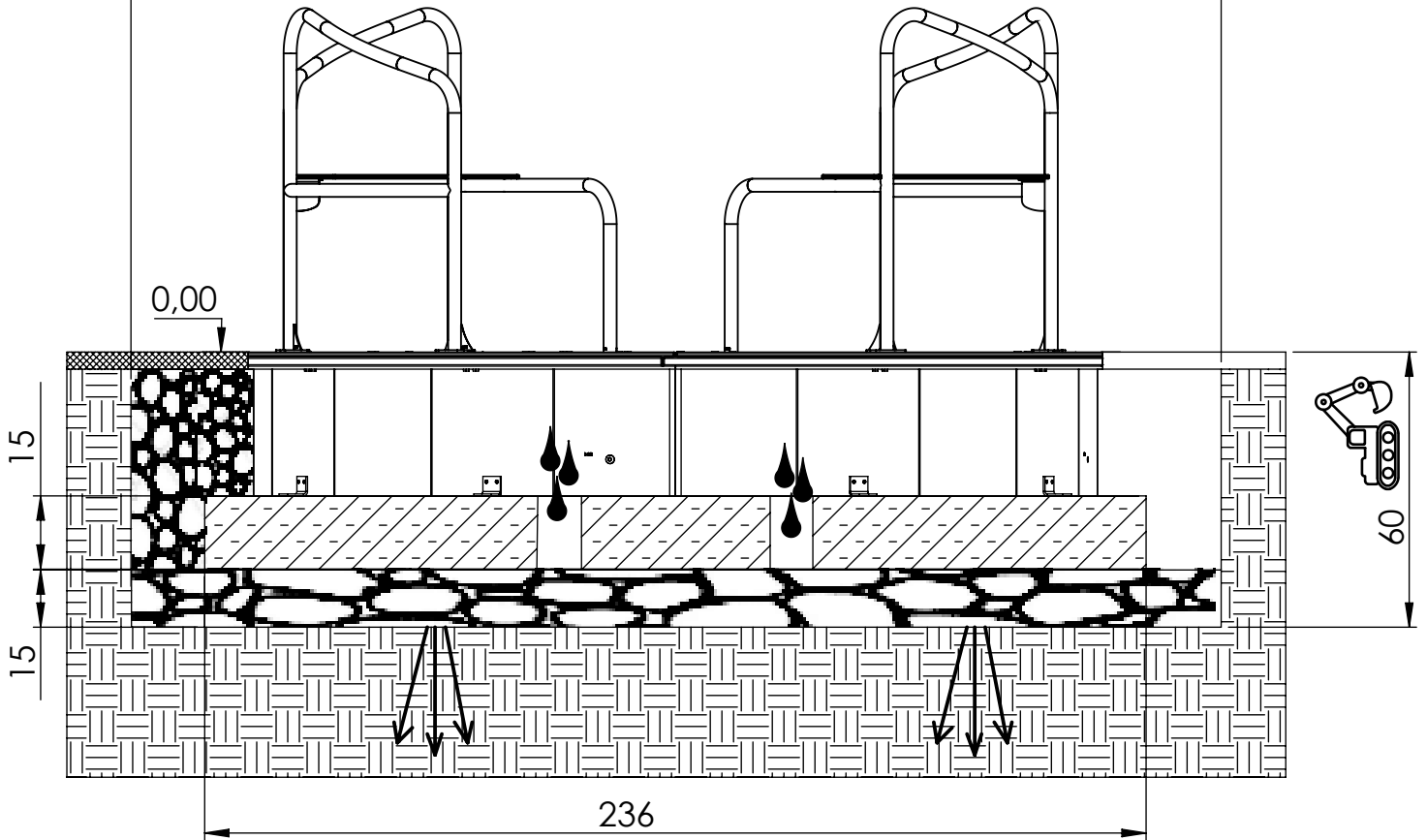


[cm]



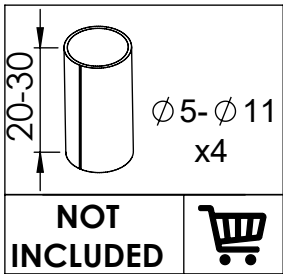
vinci
play

Ø 362

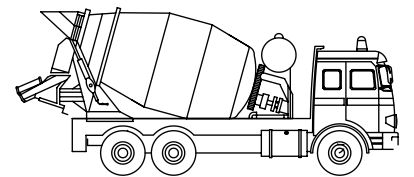
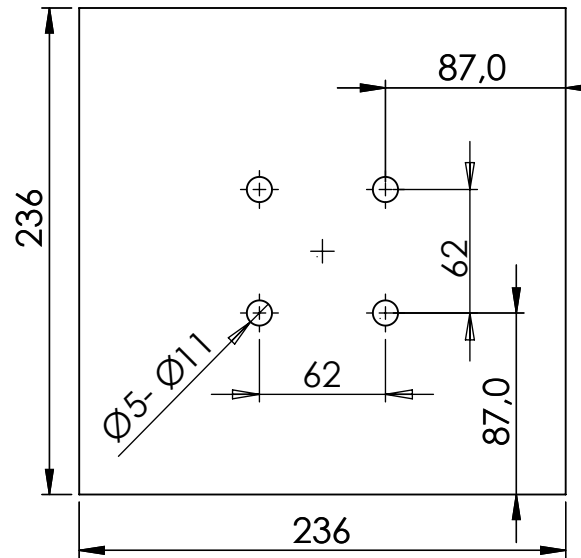
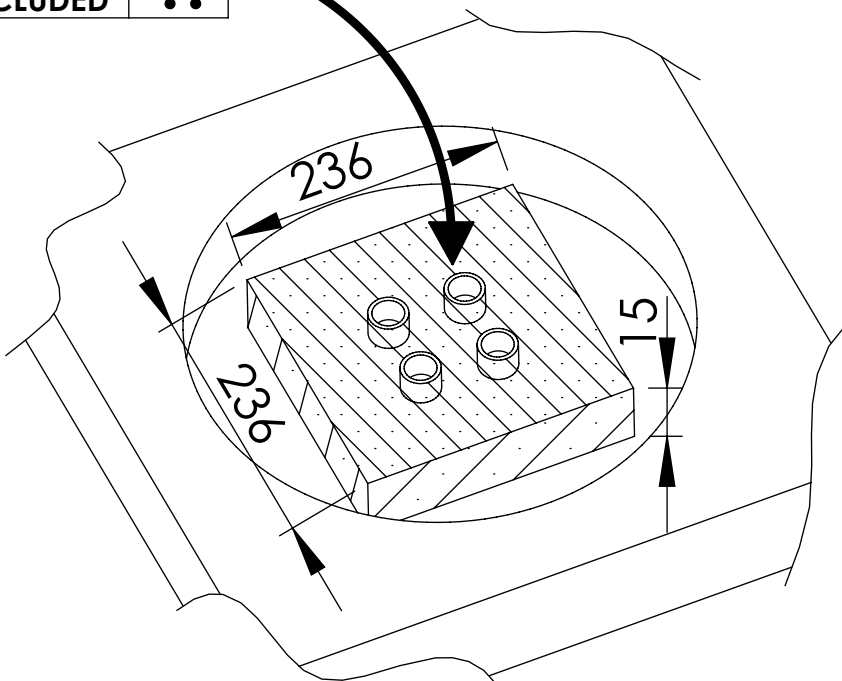


236

60



NOT INCLUDED



[cm]



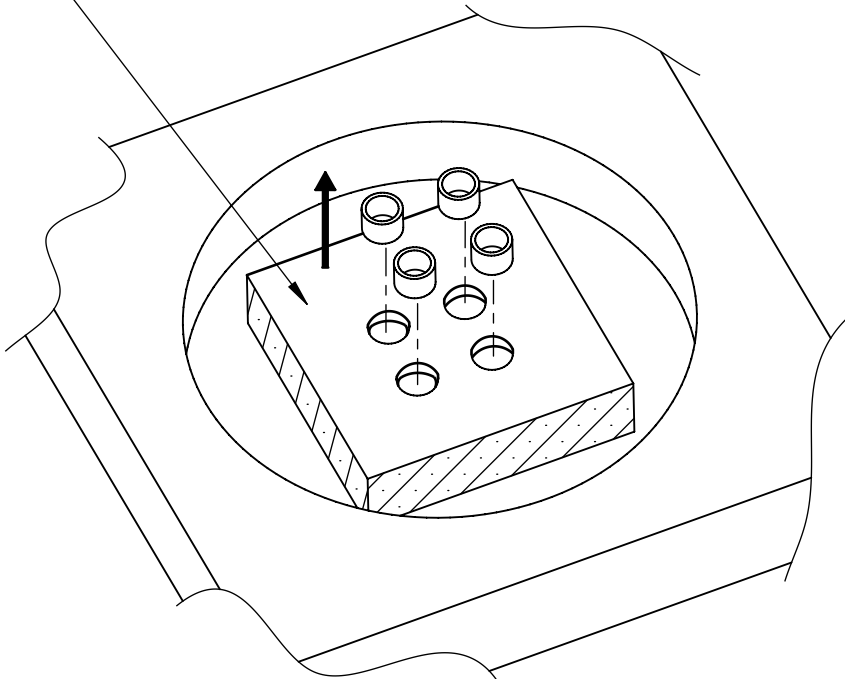
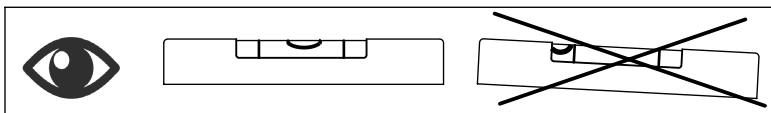
24h



48h



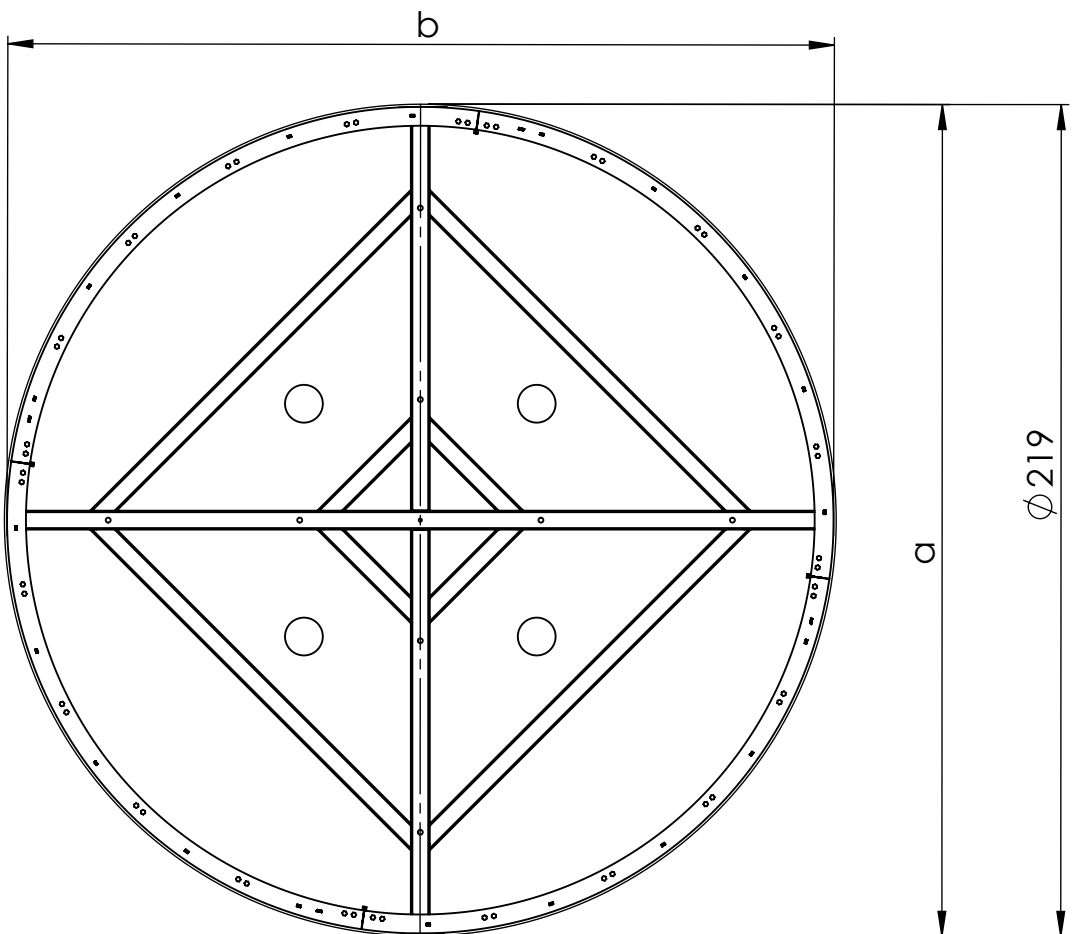
vinci play



48h



a=b



[cm]



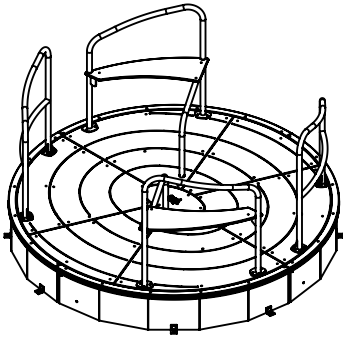
24h



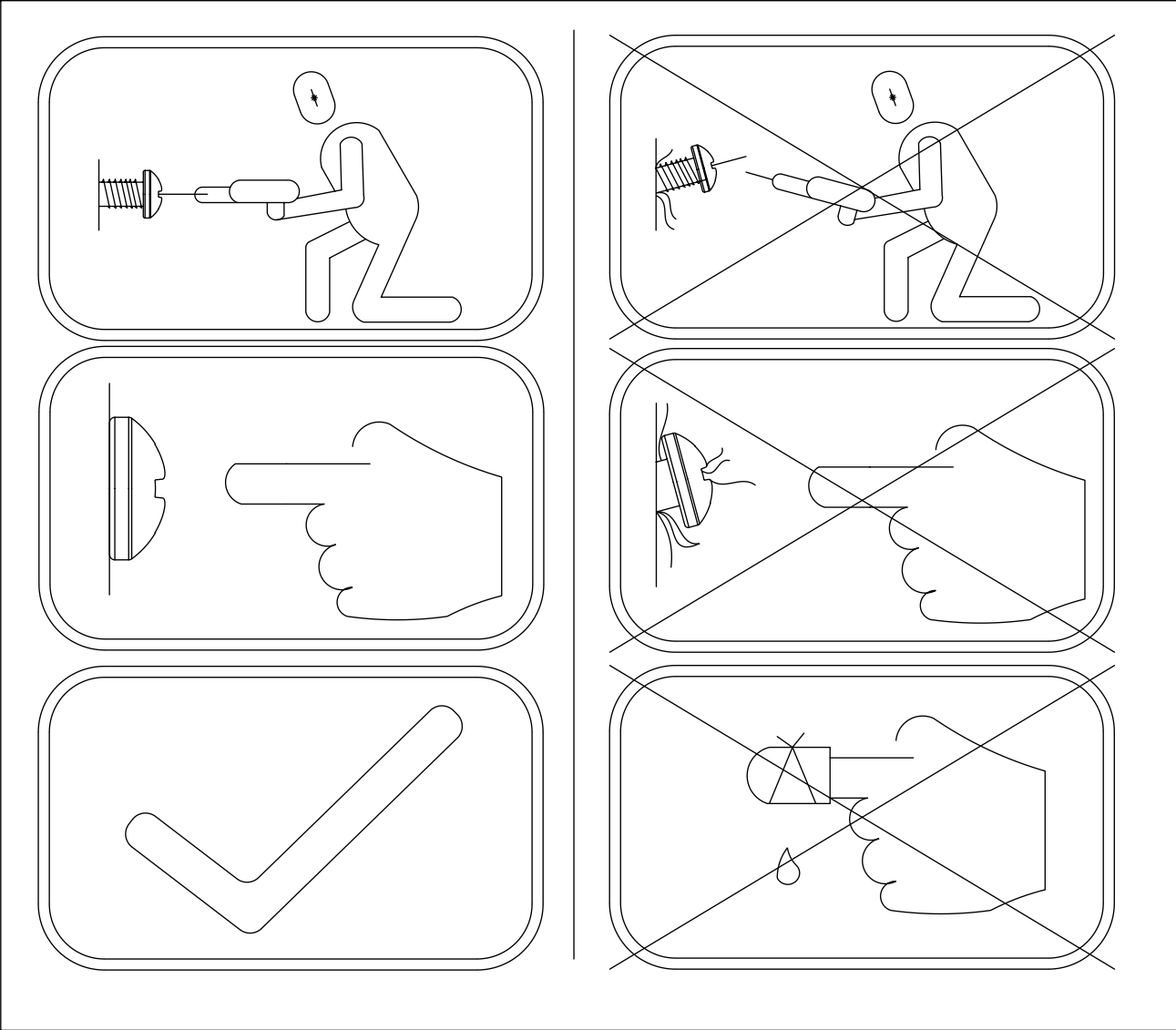
48h

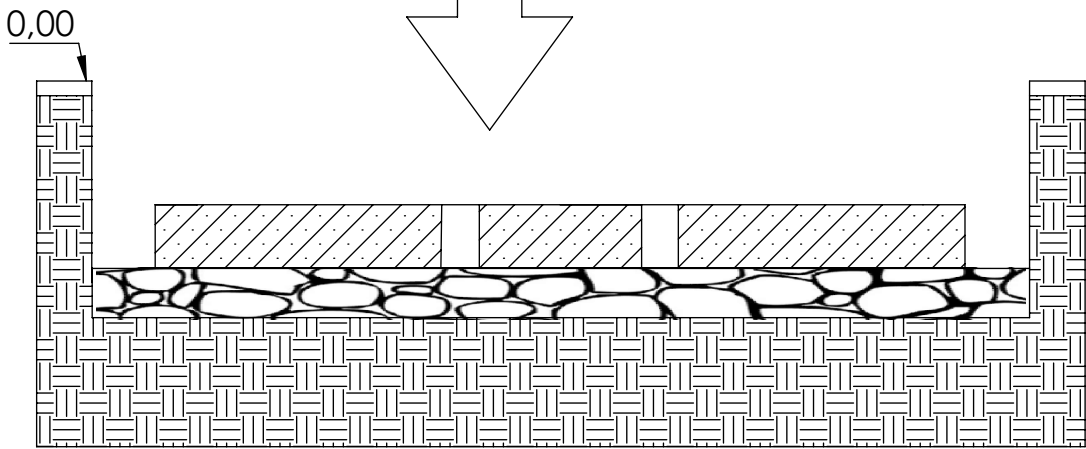
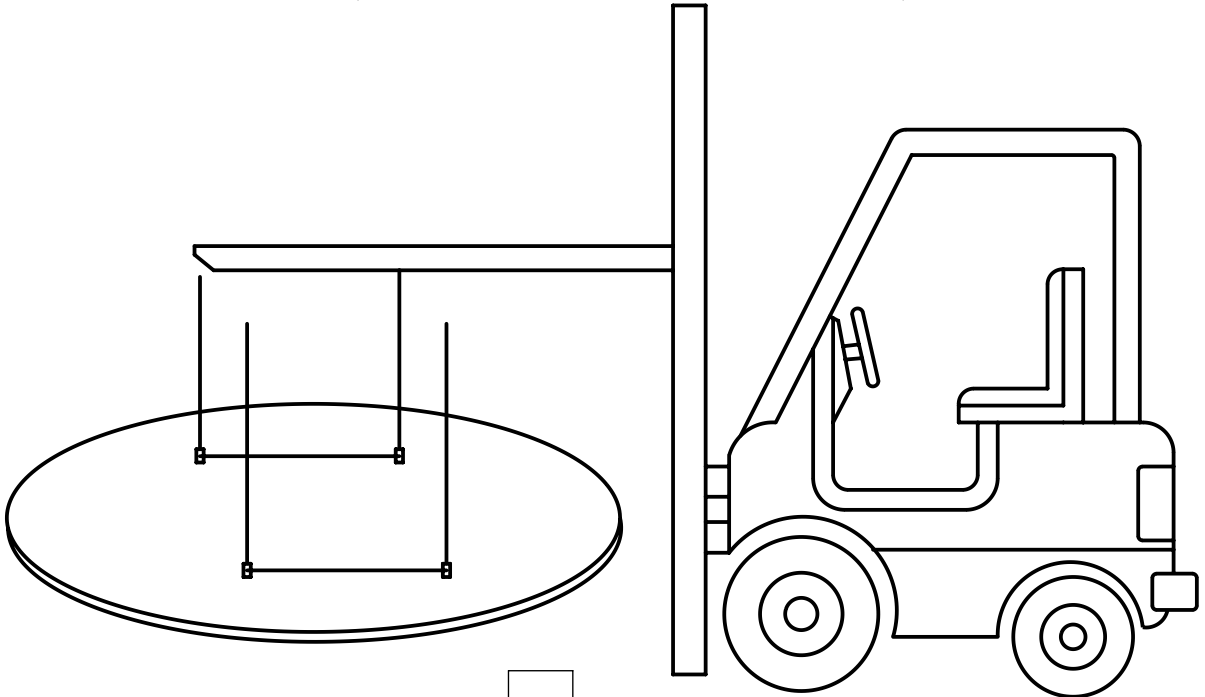
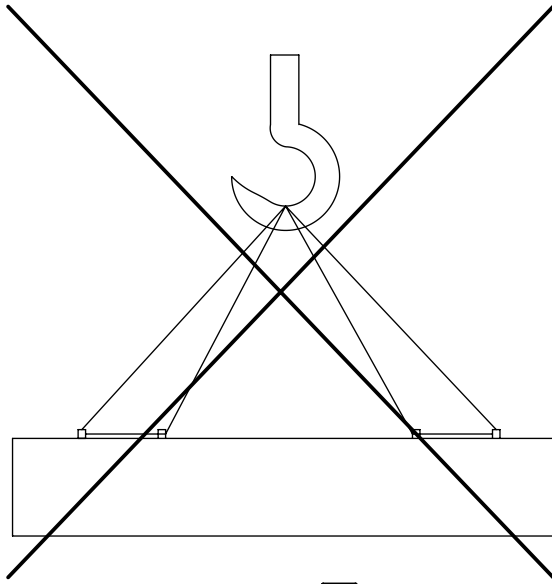


vinci play



0728
x1








[cm]

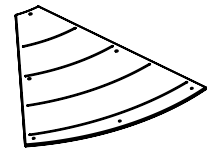
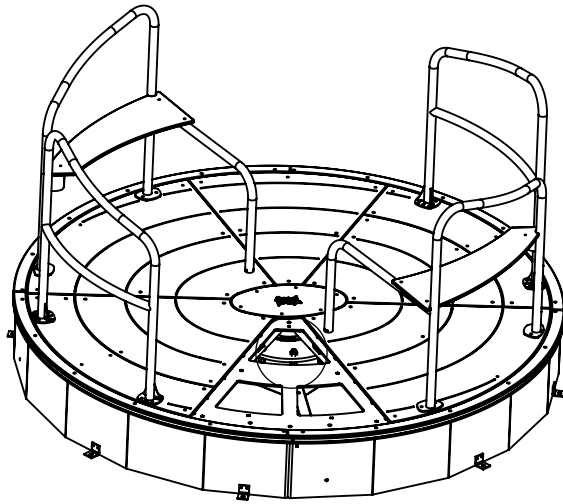


vinci
play


 M12x120
 x16

NOT
 INCLUDED

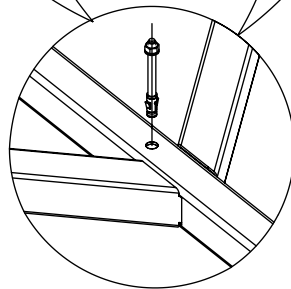
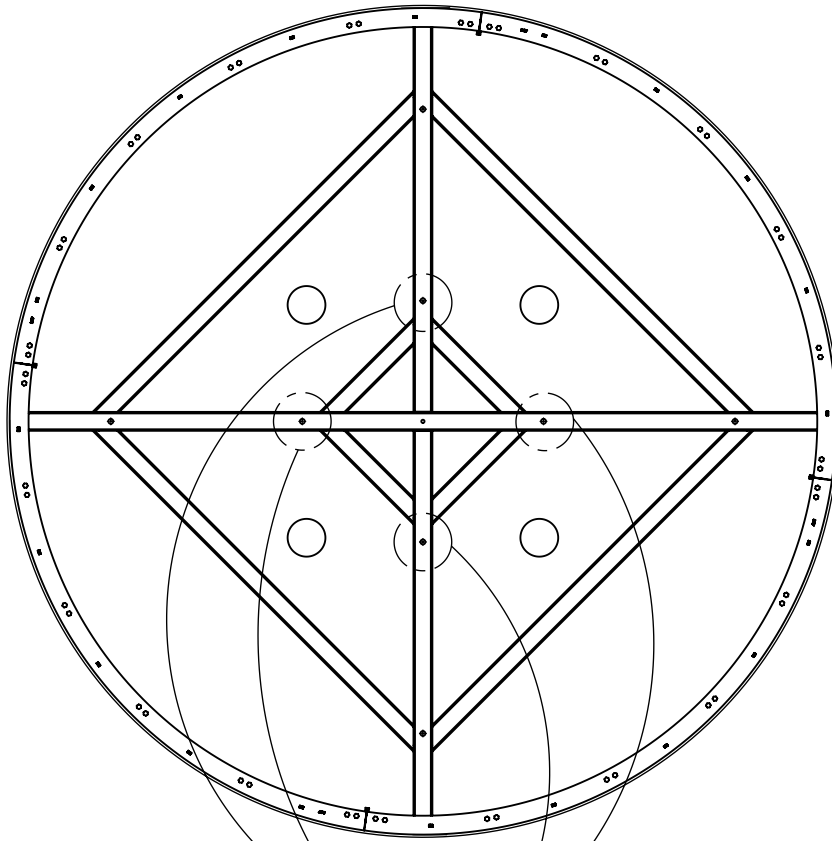





071143
x2



a=b



M12x120
x4

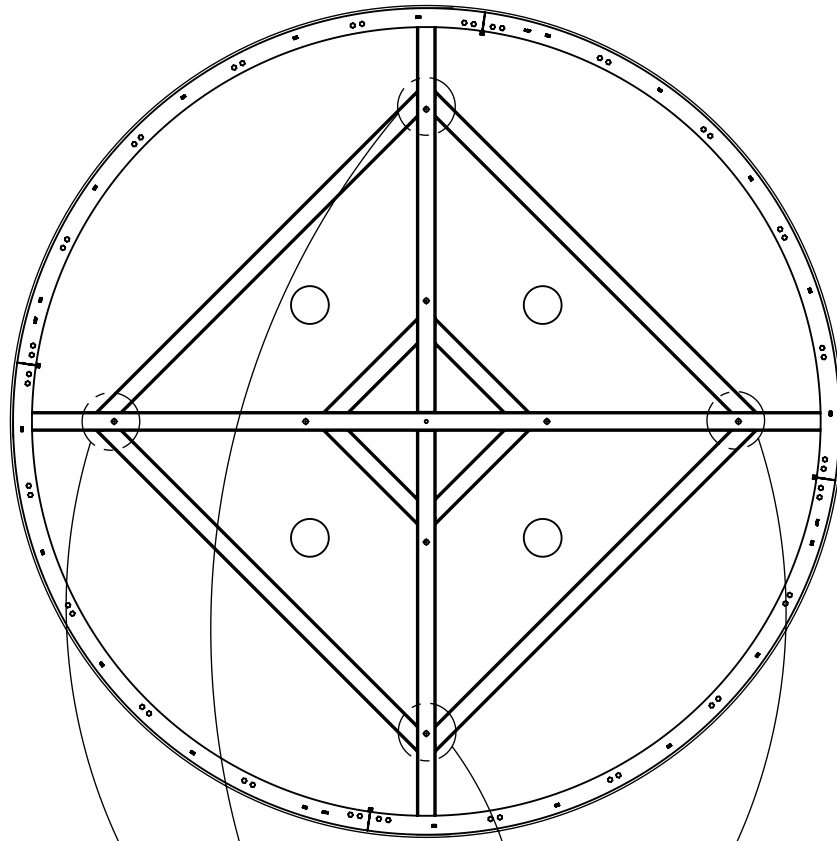
[cm]



24h



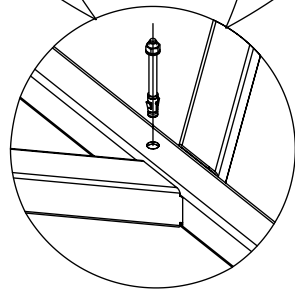
vinci
play



a=b



Ø12



M12x120
x4

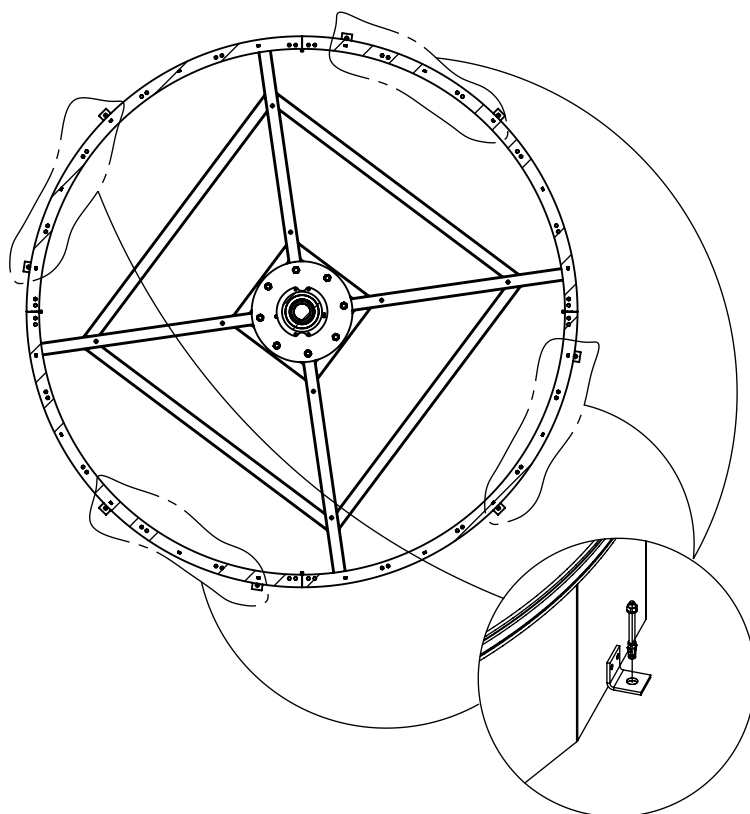
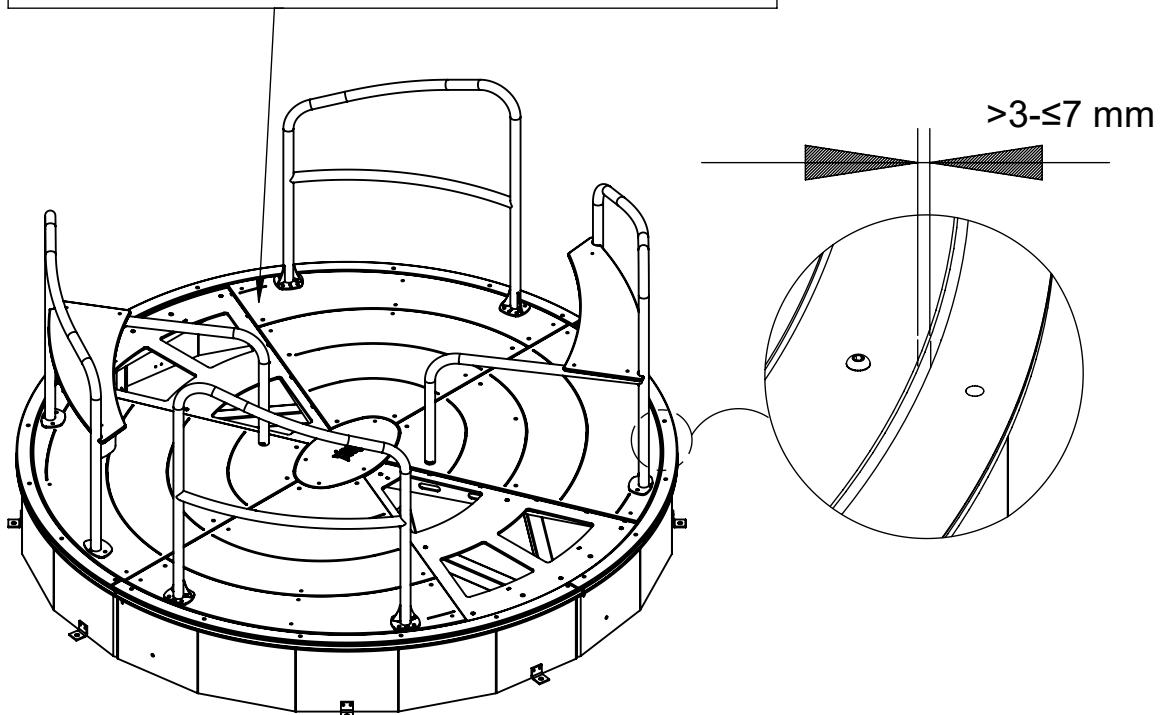
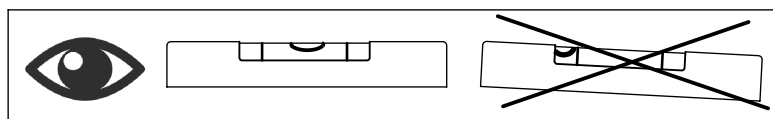
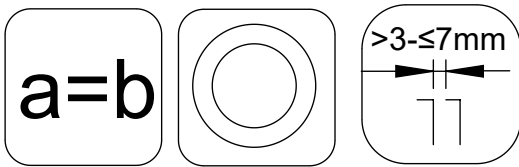
[cm]



24h



vinci
play



M12x120
x8

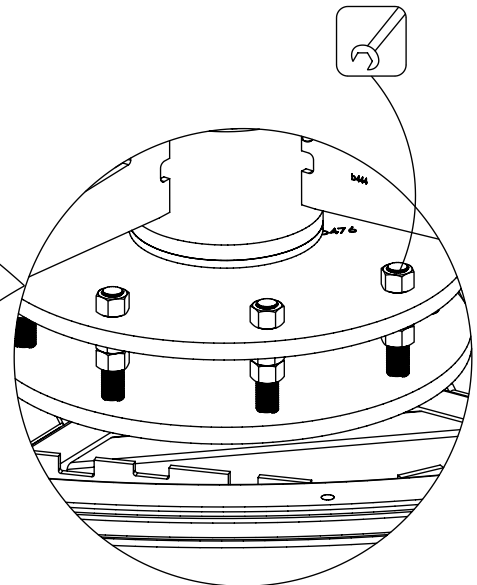
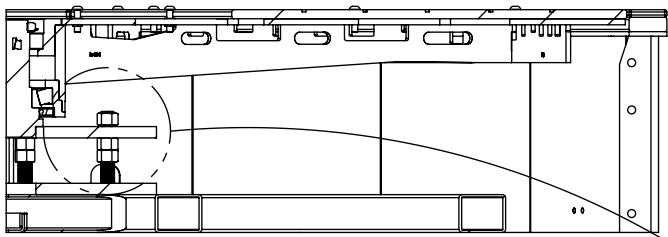
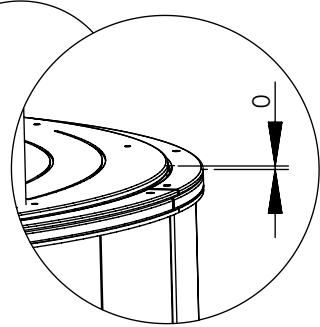
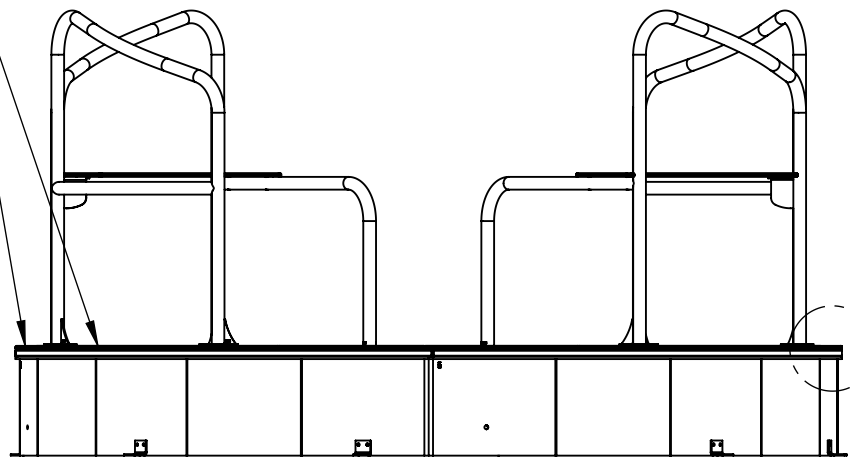
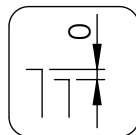
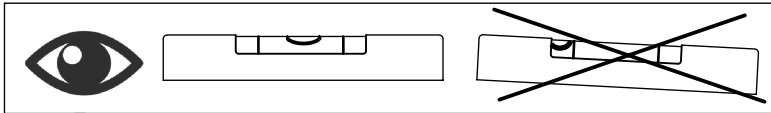
[cm]



24h



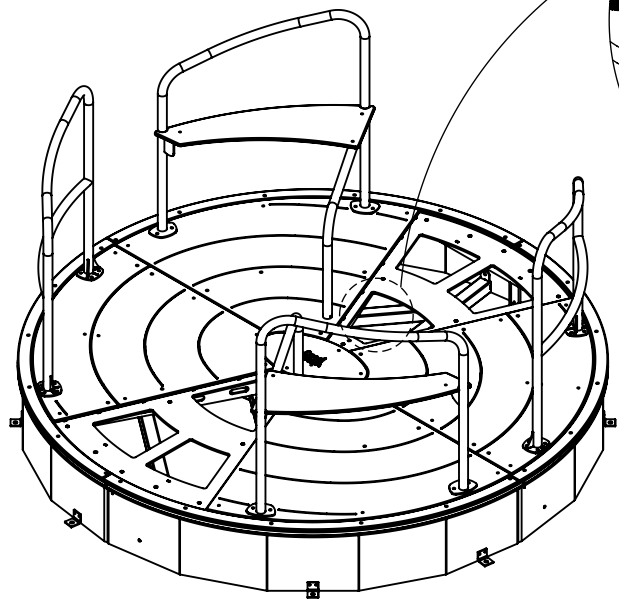
vinci
play



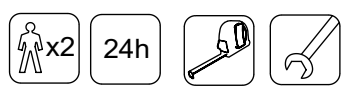
a=b



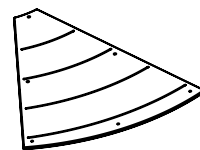
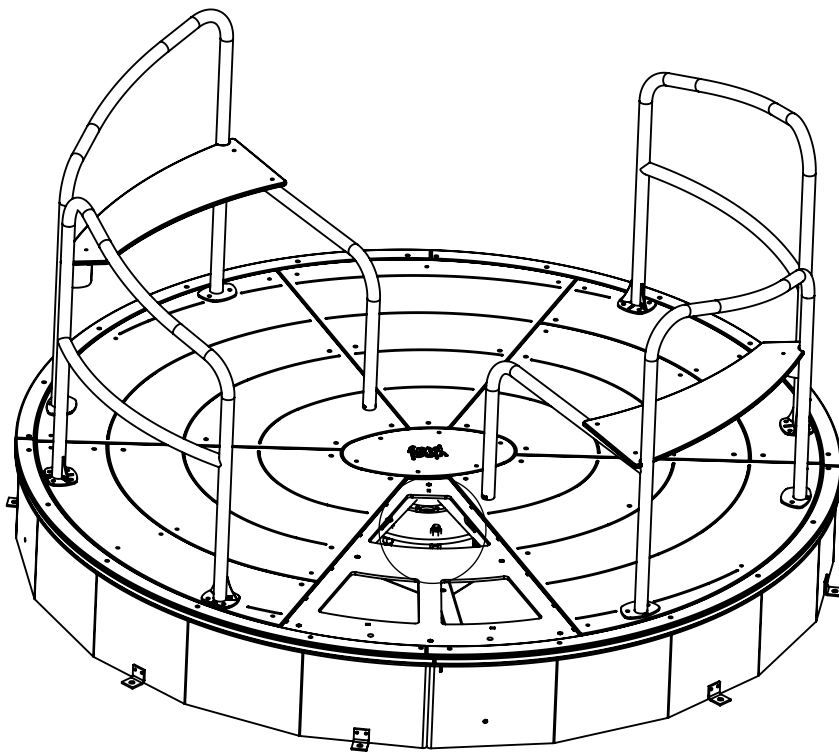
Ø12



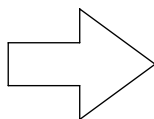
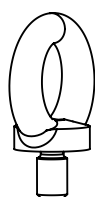
[cm]



vinci play



071143
x2



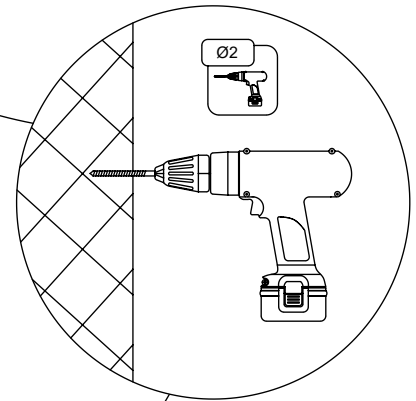
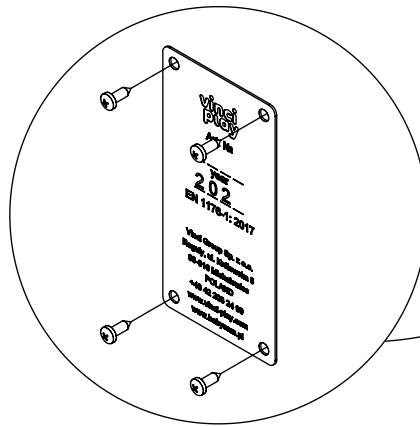
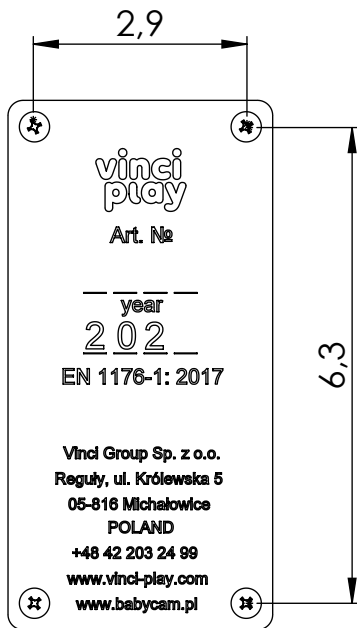
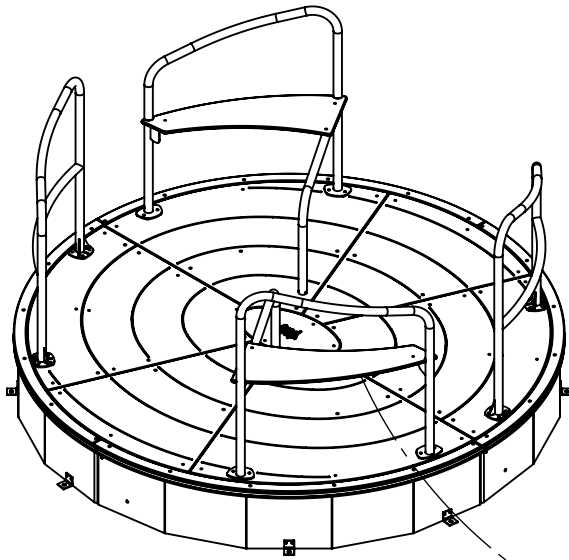
[cm]



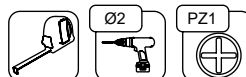
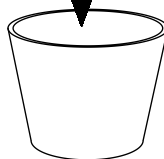
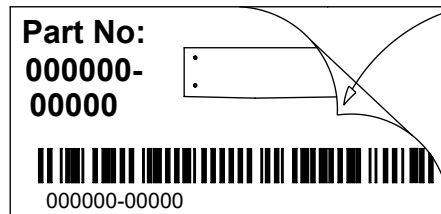
24h



vinci
play

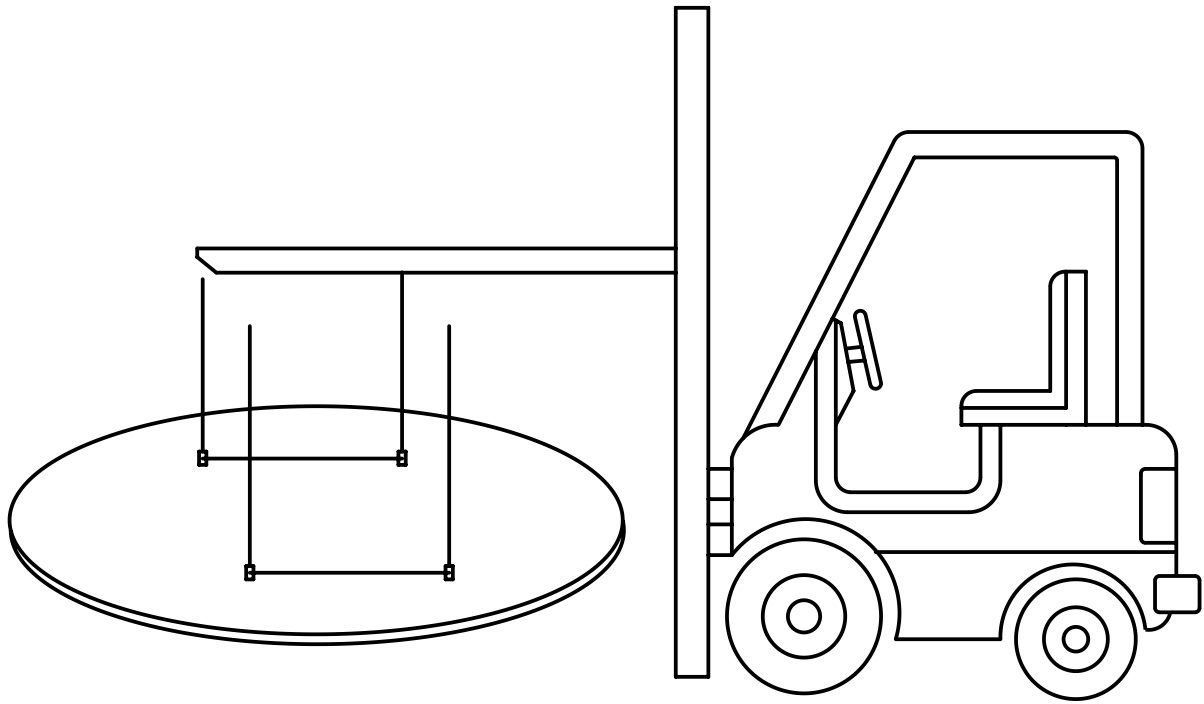
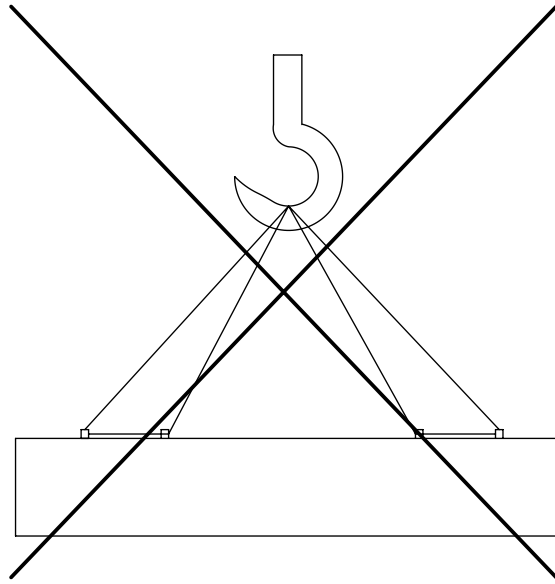


V001 x1



vinci play

[cm]



[cm]



vinci
play