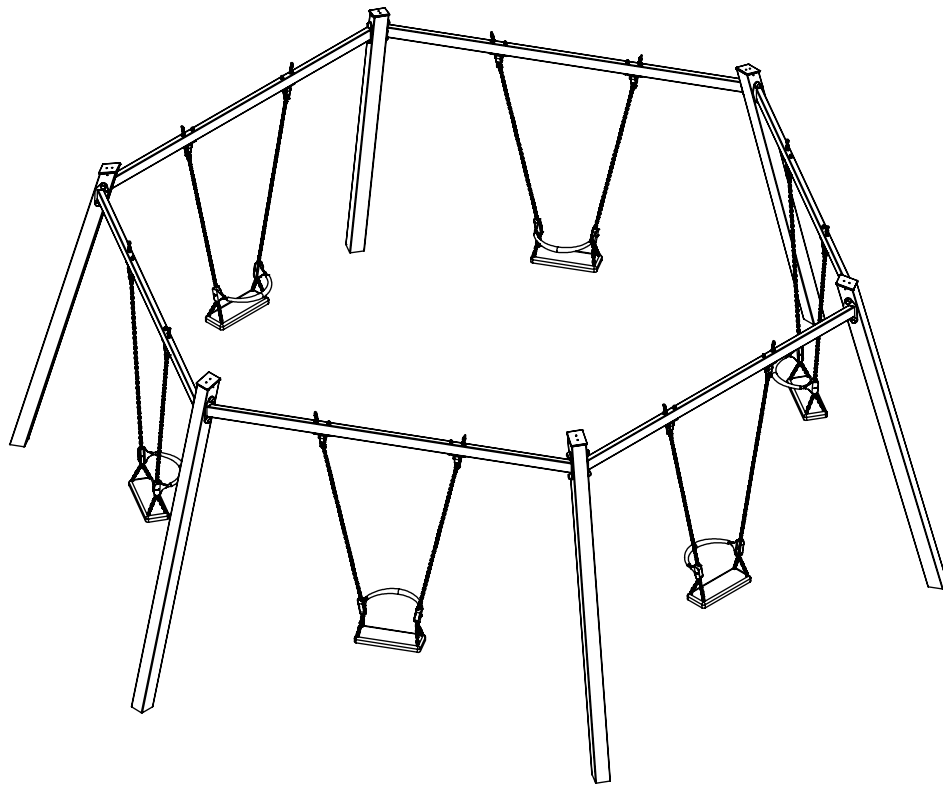
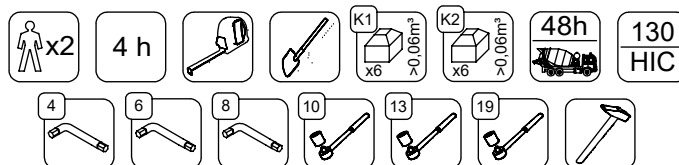


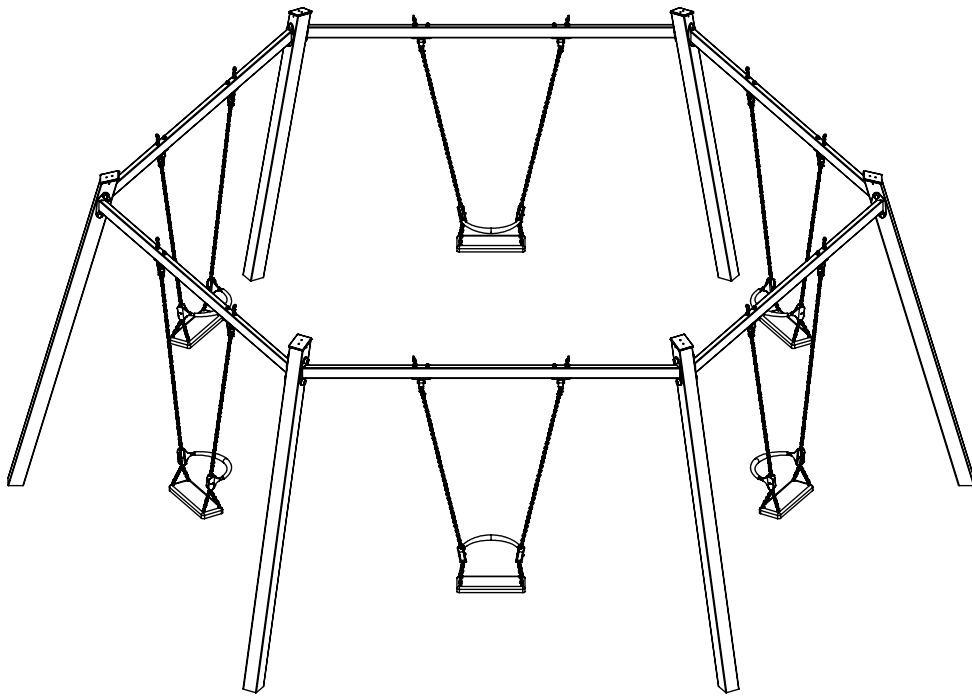
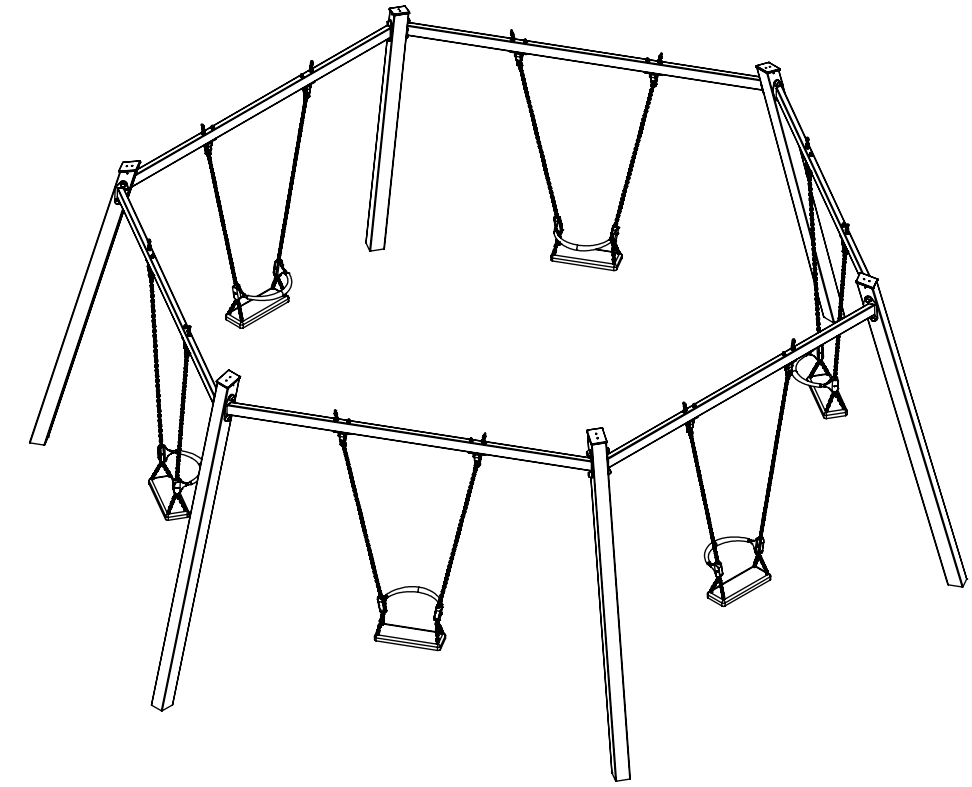
# ST0516



v010  
31.08.2020  
V. D.  
[cm]

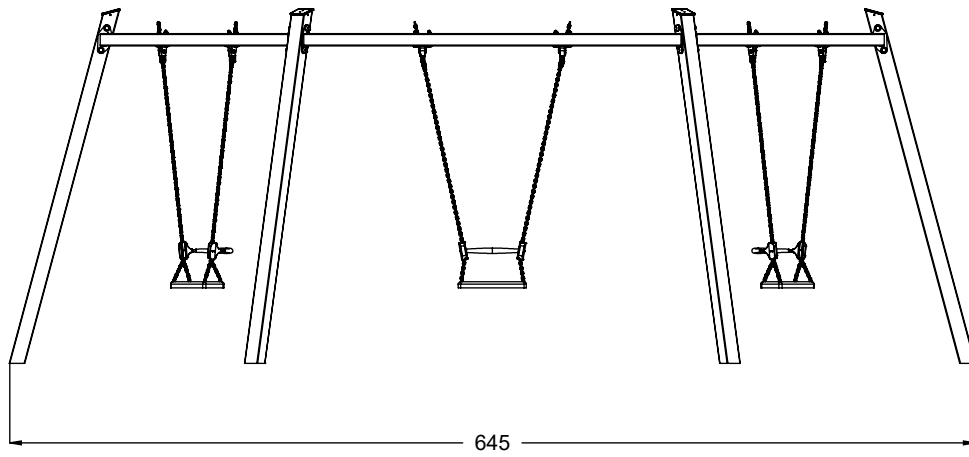
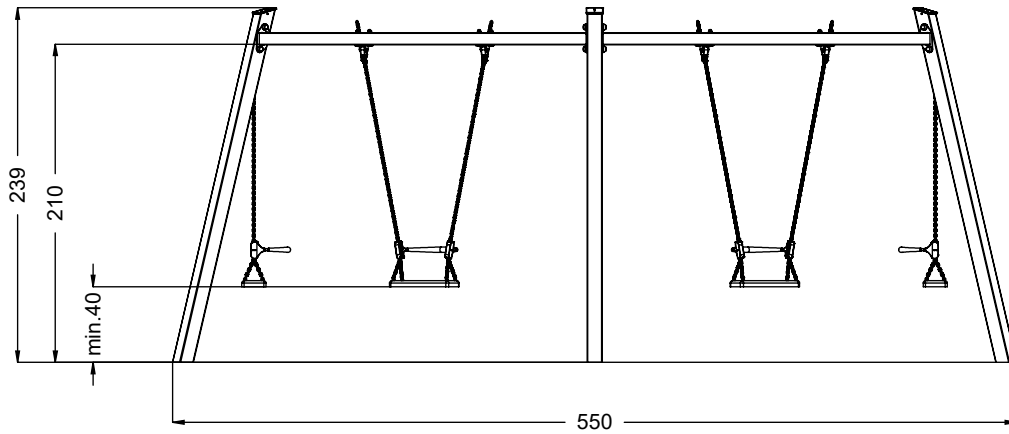


vinci  
play



[cm]

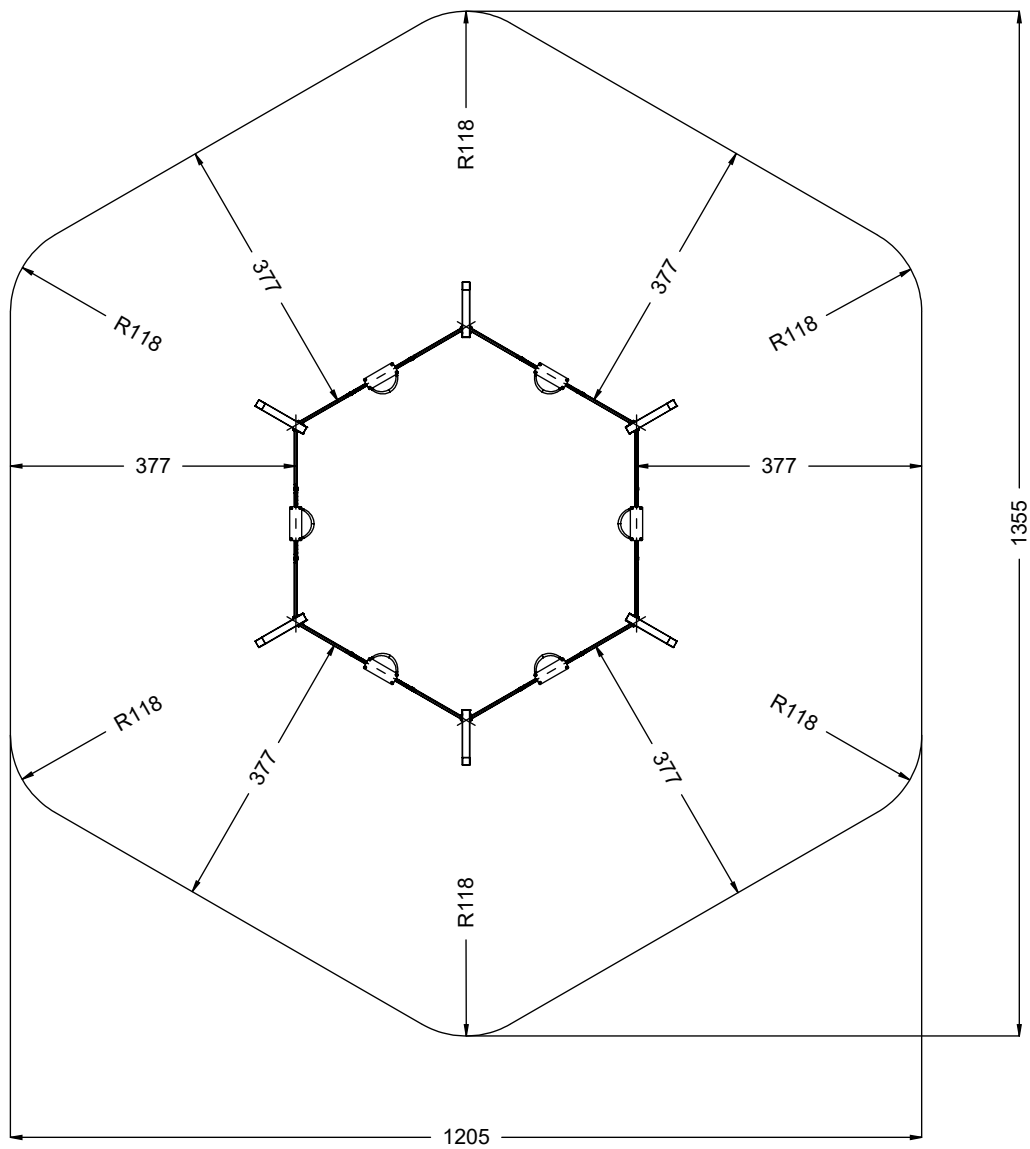
vinci  
play



[cm]



vinci  
play

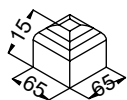
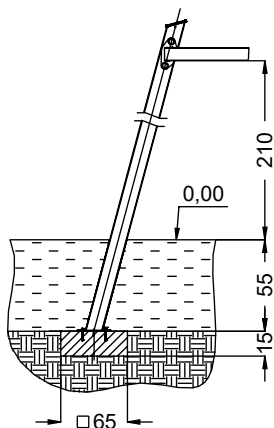


[cm]

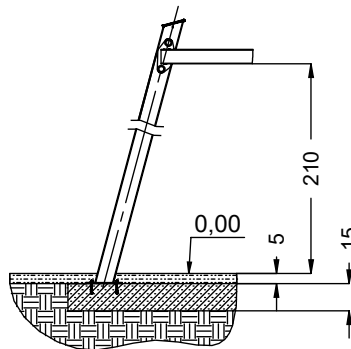


vinci  
play

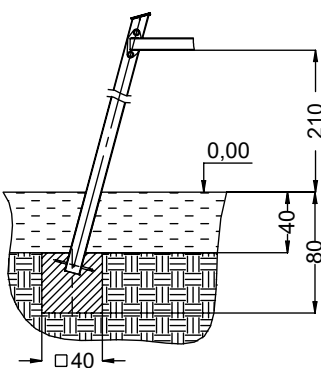
K2



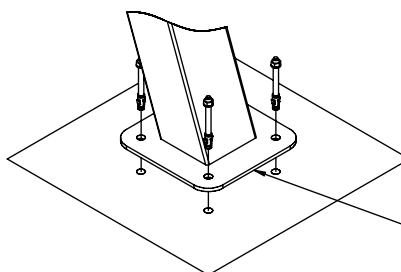
K3




K1




K2 / K3




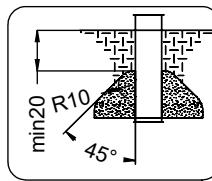
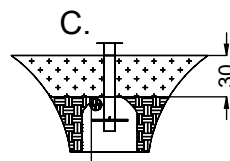
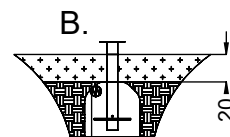
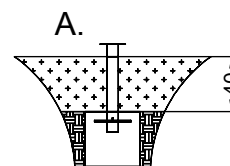
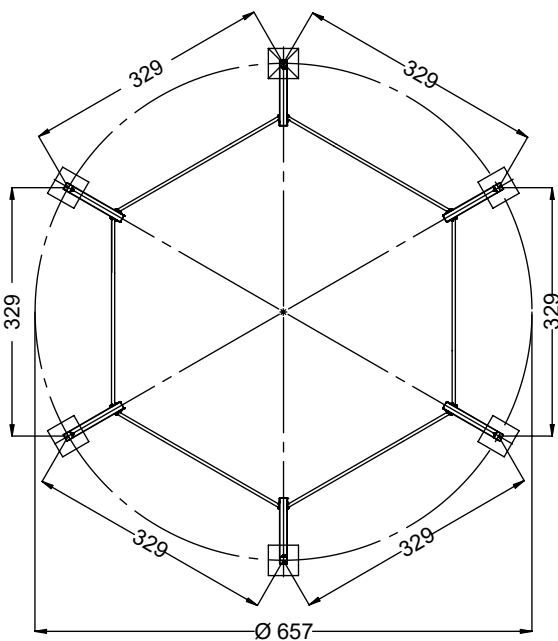
K2, K3



M10x120  
x24



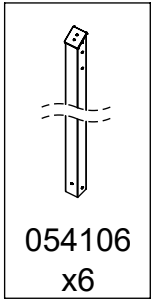
**NOT INCLUDED**

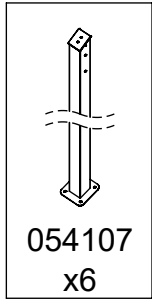
[cm]



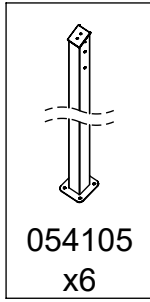
vinci  
play



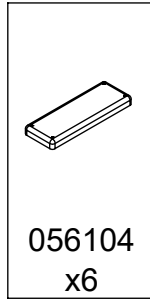
054106  
x6



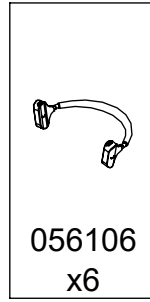
054107  
x6



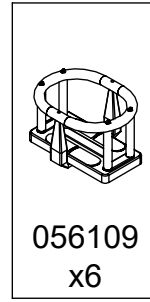
054105  
x6



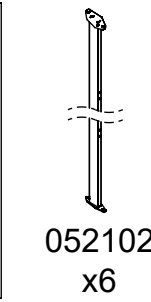
056104  
x6



056106  
x6

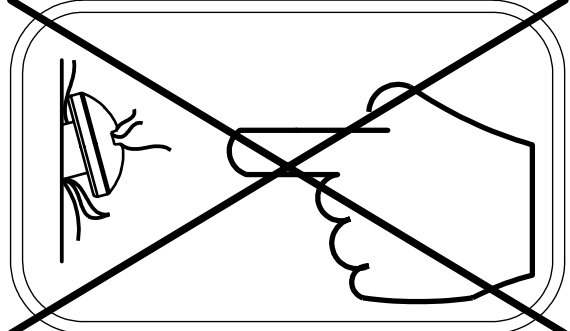
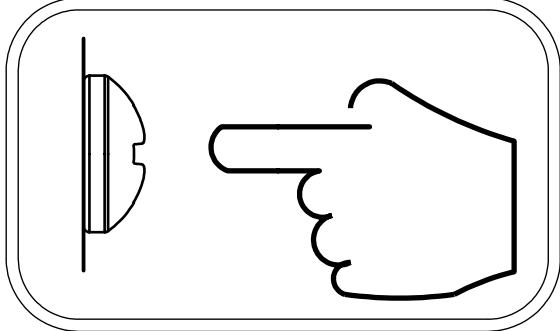
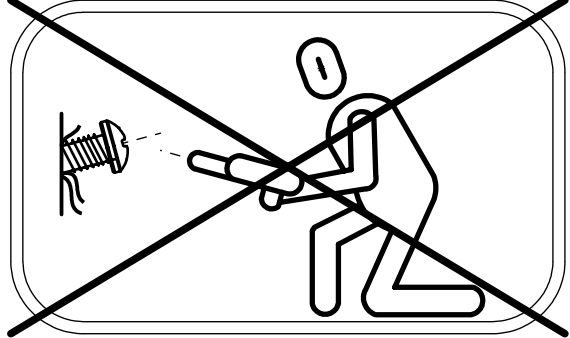
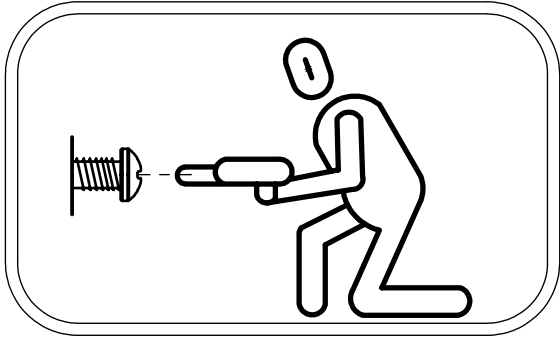


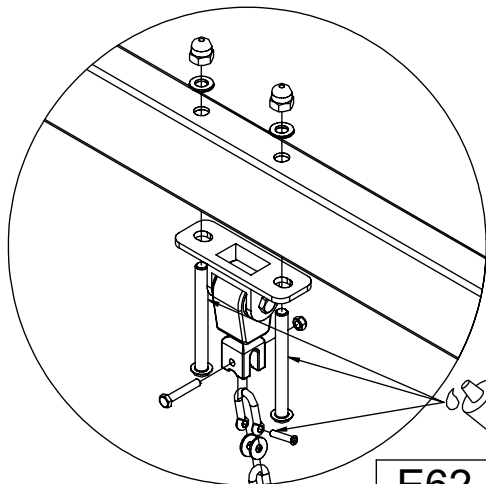
056109  
x6



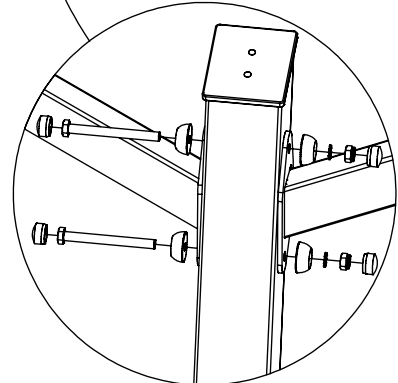
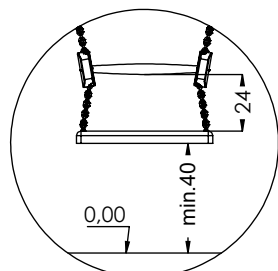
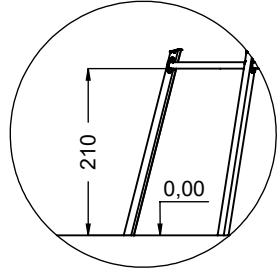
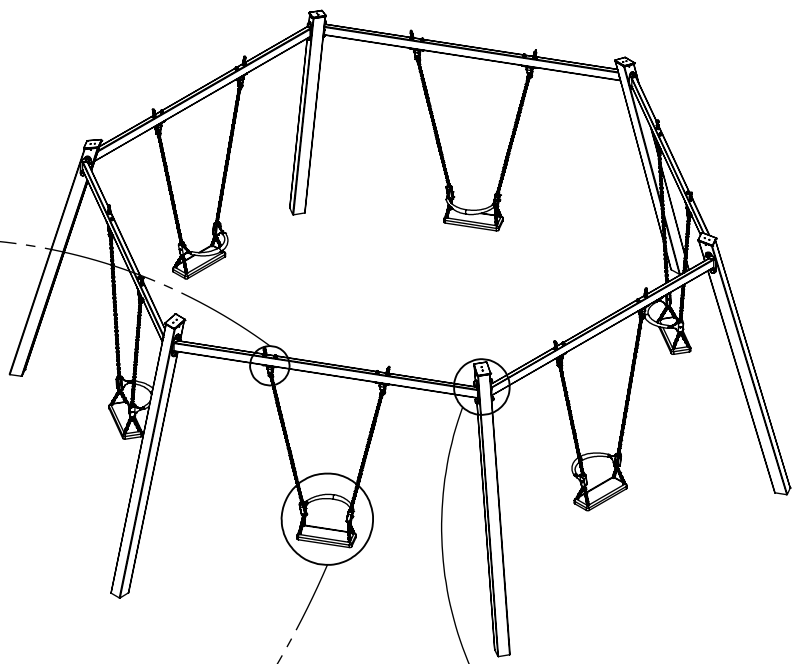
052102  
x6

| ST/INOX |      |
|---------|------|
| 6x      | E62  |
| 6x      | E163 |
| R5      |      |
| 6x      | E164 |
| R2      |      |
| 6x      | E165 |

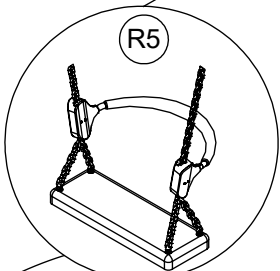




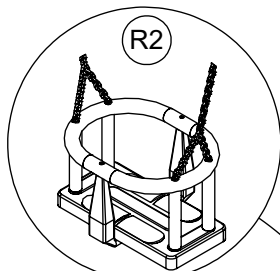
E62



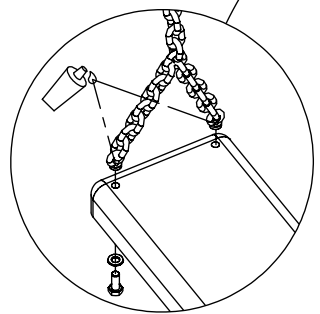
E163



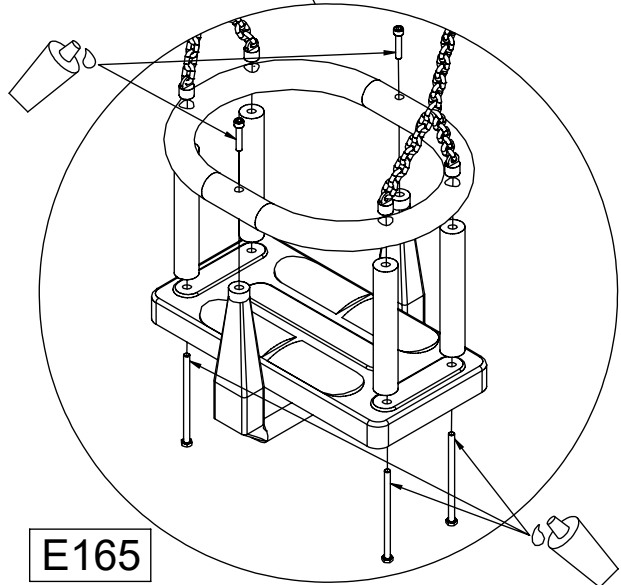
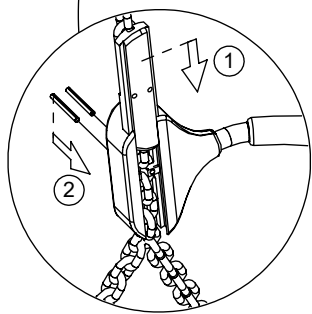
R5



R2

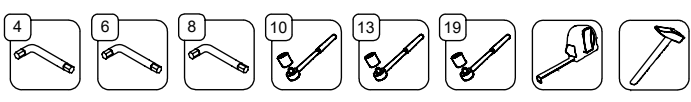


E164



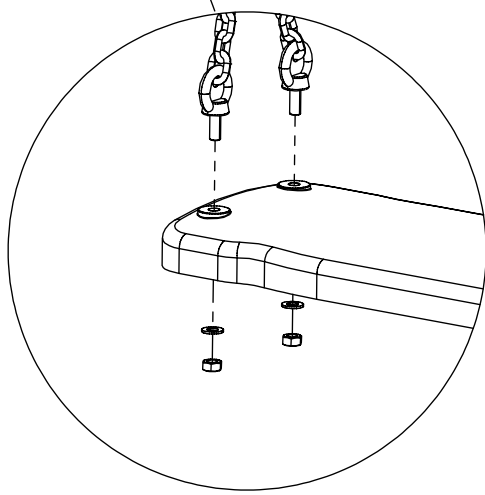
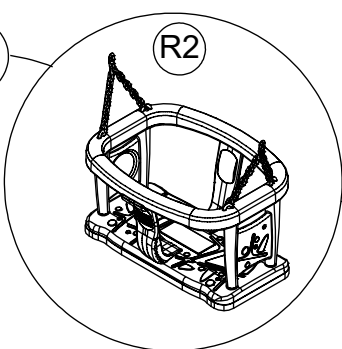
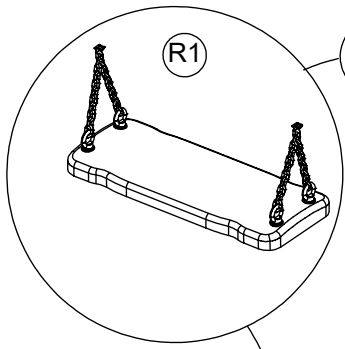
E165

[cm]

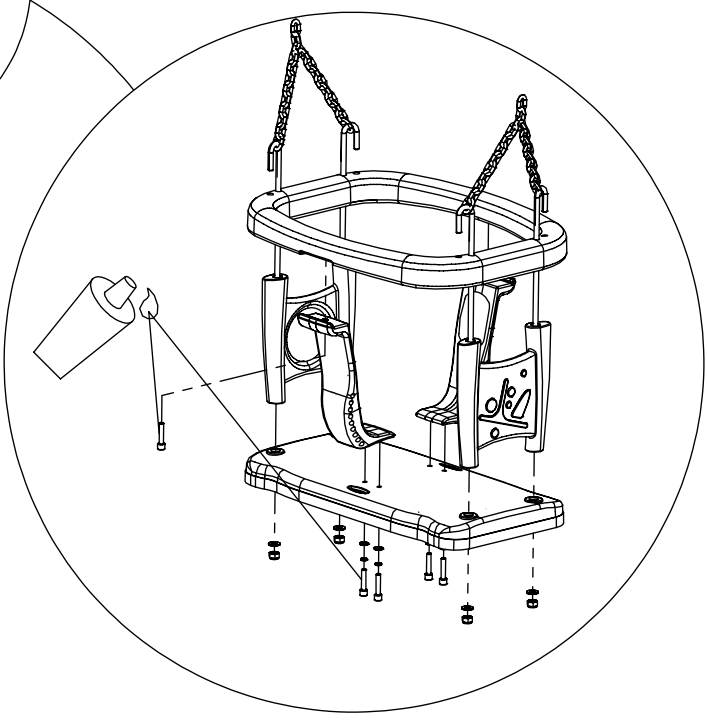


vinci play

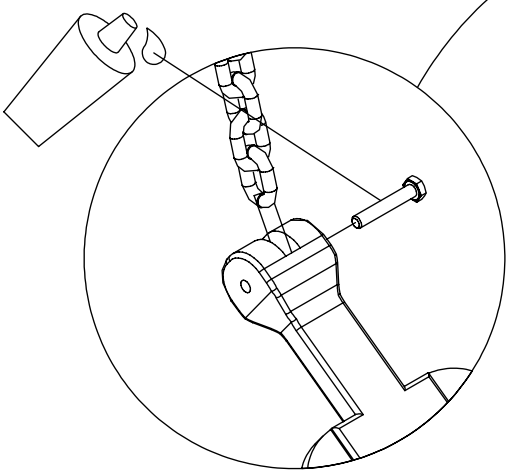
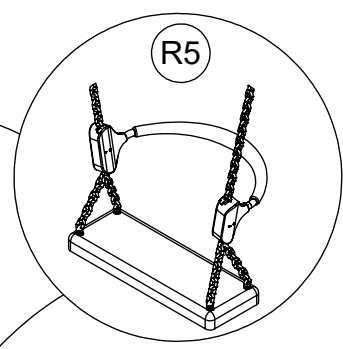
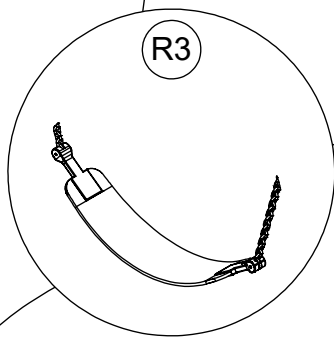




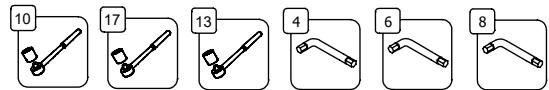
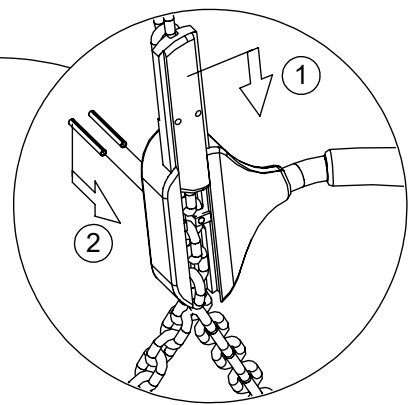
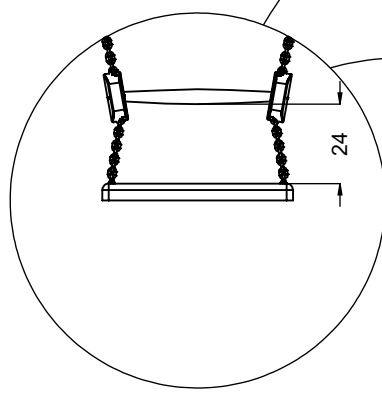
E164



E165



E168



[cm]

vinci play