

Product technical sheet

WORKOUT RB2323



14+



< 140 kg

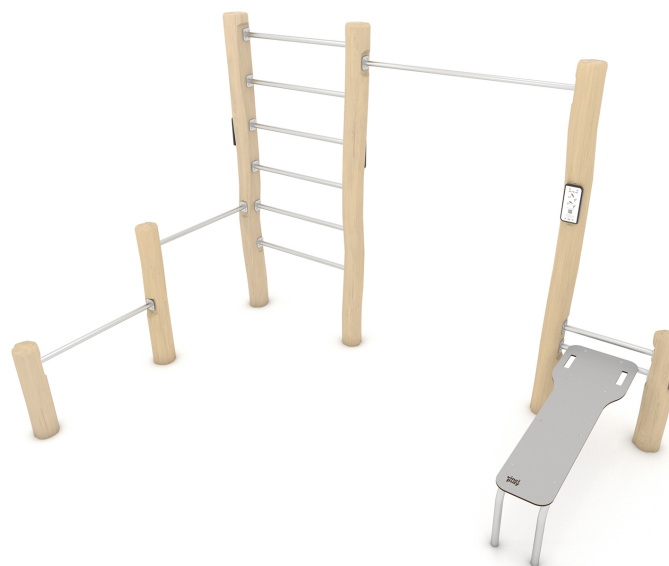
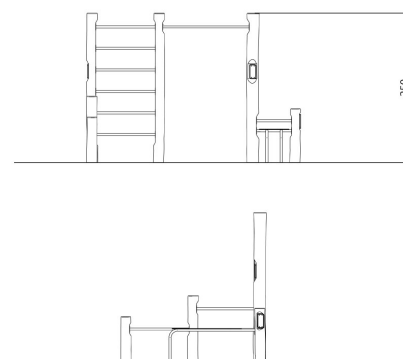
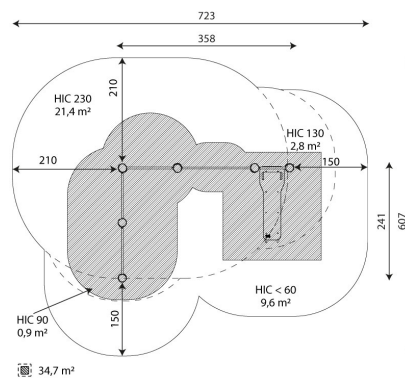


34,7 m²

Product data

| | |
|--------------------------------|---------------------|
| Length | 358 cm |
| Width | 241 cm |
| Total height | 250 cm |
| Age group | 14+ years |
| Maximum weight of user | 140 kg |
| Safety zone | 34,7 m ² |
| Free fall height | 230 cm |
| In accordance with norm EN | 16630:2015 |
| Weight of the heaviest part | 76 kg |
| Dimensions of the largest part | 18x18x250 cm |
| Availability of spare parts | YES |
| Installation time | 3,5 h |

Data is subject to change without prior notice.



vinci
play



Vinci Group Sp. z o.o.
Seminaryjna 9 Street
99-400 Łowicz

VAT: 534-250-14-46
PHONE: +48 42 203 24 99 ext. 26
M: +48 793 404 991

30/08/2021

workout

biuro@vinci-play.com
info@vinci-play.com
www.vinci-play.com

1 / 3

Material specification



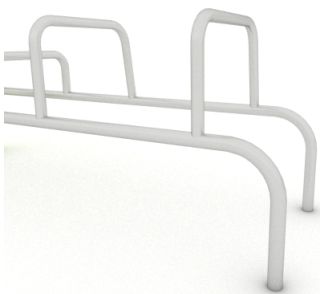
Construction made of Robinia - very durable acacia wood with a diameter of ~ 18 cm without sharp edges, resistant to weather conditions,



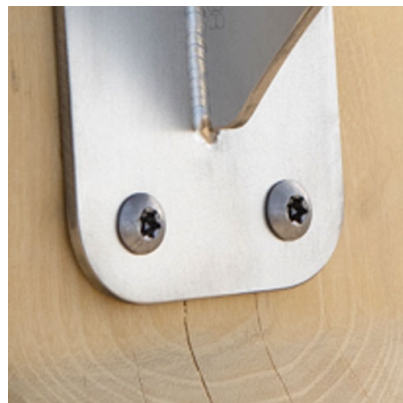
Aluminum exercise instructions plate screwed to HDPE plate, resistant to weather conditions,



Seats/backrests made of durable HPL plate, resistant to weather conditions,



Stainless steel bars with a diameter of 38 mm for a comfortable grip during exercises.



Stainless steel screws and/or screws covered with plastic caps,

Additional information

- device intended for public outdoor gyms;
- equipment has a certificate issued by an accredited entity or a declaration of conformity;
- no sharp edges or chinks that would pose a danger of jimmie the head, fingers or any other body parts;
- anchoring on flat surface, 100 cm deep;
- render is for reference only, the actual appearance of the equipment and its color may vary;

Guarantee

- 30** 30 year guarantee - Structural strength of steel and stainless steel components
- 15** 15 year guarantee - Structural failure of steel and stainless steel, for dynamic equipment
- 10** 10 year guarantee - Structural failure of high density polyethylene and high pressure laminates components
- 5** 5 year guarantee - Corrosion of stainless steel and hot dip galvanized and powder coated components; against bark beetles and rot in case of wooden structural elements

Detailed information in the guarantee card

Vinci Group Sp. z o.o.
Seminaryjna 9 Street
99-400 Łowicz

VAT: 534-250-14-46
PHONE: +48 42 203 24 99 ext. 26
M: +48 793 404 991

30/08/2021

workout

biuro@vinci-play.com
info@vinci-play.com
www.vinci-play.com

2 / 3

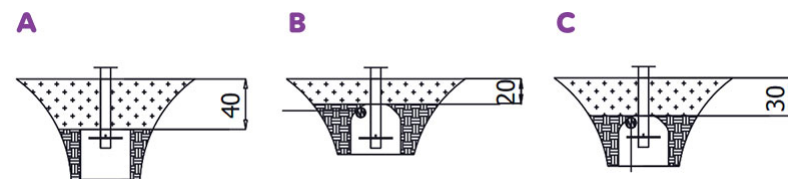
Amount of safe surface corresponding with free fall height:

| | |
|---------|---------------------|
| HIC <60 | 9,6 m ² |
| HIC 90 | 0,9 m ² |
| HIC 130 | 2,8 m ² |
| HIC 230 | 21,4 m ² |

Data is subject to change without prior notice.

Surfaces according to EN 16630:2015

| | Description (mm) | Layer thickness (cm) | Maximum fall height (cm) |
|-------------------------------|--|----------------------|--------------------------|
| | Concrete / stone / bituminous surfaces (A, B, C) | - | ≤100 |
| | outer soil layer (A,B,C) | - | ≤120 |
| | Turf (A,B,C) | - | ≤150 |
| bark (A,C) | Particle size from 20 to 80 | 30 | ≤200 |
| | | 40 | ≤300 |
| wood shavings/cuttings (A, C) | Particle size from 5 to 30 | 30 | ≤200 |
| | | 40 | ≤300 |
| sand (A,C) | Particle size from 0,2 to 2 mm | 30 | ≤200 |
| | | 40 | ≤300 |
| gravel (A,C) | Particle size from 2 to 8 | 30 | ≤200 |
| | | 40 | ≤300 |
| attested synthetic (A, B, C) | Tested according to EN 1177 | | 230 |



Vinci Group Sp. z o.o.
Seminaryjna 9 Street
99-400 Łowicz

VAT: 534-250-14-46
PHONE: +48 42 203 24 99 ext. 26
M: +48 793 404 991

30/08/2021

workout

biuro@vinci-play.com
info@vinci-play.com
www.vinci-play.com

3 / 3