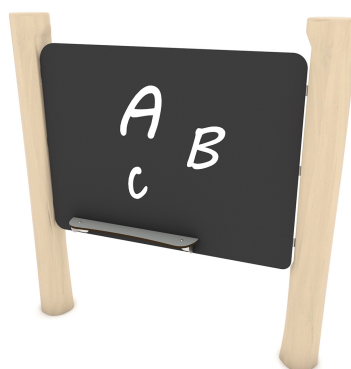


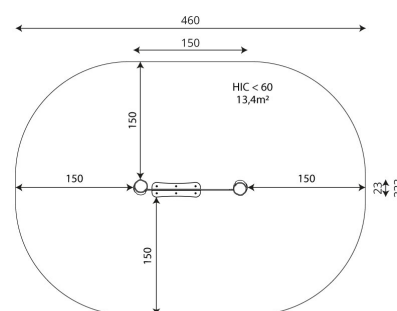
ROBINIA RB1341

PLAYGROUND EQUIPMENT



Safety zone	13,4 m ²
Length	150 cm
Width	23 cm
Total height	150 cm
Free fall height	< 60 cm
Age range	1-8 years
In accordance with EN standards	1176-1:2017
Weight of the heaviest part [kg]	49 kg
Dimension of the biggest part [cm]	210x18x18
Availability of spare parts	Yes

Minimal space



MATERIAL SPECIFICATION

- Construction made of Robinia - very durable acacia wood with a diameter of ~ 18 cm without sharp edges, resistant to weather conditions,
- Drawing board made of durable, waterproof HPL plate,
- Stainless steel and/or galvanized steel screws and bolts.

ADDITIONAL COMMENTS

- equipment adapted for the disabled; intended for public playgrounds,
- equipment has a certificate issued by an accredited entity or a declaration of conformity;
- no sharp edges or chinks that would pose a danger of jimmieing the head, fingers or any other body parts;
- anchoring on flat surface, 80/70/60 cm deep;
- render is for reference only, the actual appearance of the equipment and its color may vary;

SURFACES

Due to the free fall height of the equipment, the EN 1176-1:2017 standard allows the following surfaces: turf/ soil (A,B,C), sand with minimal layer thickness of 30 cm (A,C), synthetic material approved for free fall of 0,60 m

