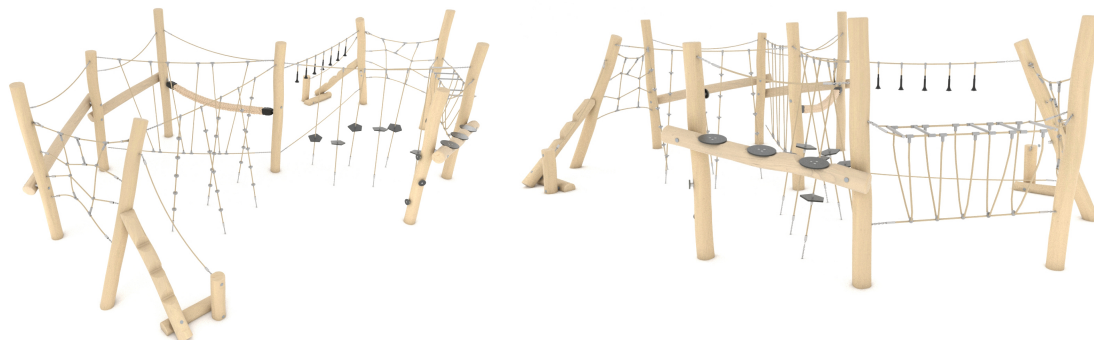
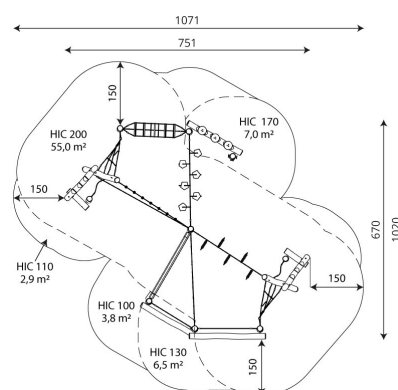


ROBINIA RB1319 ACTIVITY EQUIPMENT



Safety zone	75,2 m ²
Length	751 cm
Width	670 cm
Total height	240 cm
Free fall height	200 cm
Age range	3-14 years
In accordance with EN standards	1176-1:2017
Weight of the heaviest part [kg]	79 kg
Dimension of the biggest part [cm]	340x18x18
Availability of spare parts	Yes

Minimal space



MATERIAL SPECIFICATION

- Construction made of Robinia - very durable acacia wood with a diameter of ~ 18 cm without sharp edges, resistant to weather conditions,
- Steps made of anti-slip and waterproof HPL plates,
- Steel ropes in PP braid, connected with durable aluminum, stainless steel and/or plastic elements,
- Calibrated stainless steel chains, preventing fingers entrapment,
- Certified, durable polypropylene rope 140 x 140 mm
- Plastic handles,
- Stainless steel and/or galvanized steel screws,
- Screws covered with plastic caps or stainless steel screws.

ADDITIONAL COMMENTS

- intended for public playgrounds,
- equipment has a certificate issued by an accredited entity or a declaration of conformity;
- no sharp edges or chinks that would pose a danger of jimming the head, fingers or any other body parts;
- anchoring on flat surface, 100/80/70/60 cm deep;
- render is for reference only, the actual appearance of the equipment and its color may vary;

SURFACES

Due to the free fall height of the equipment, the EN 1176-1:2017 standard allows the following surfaces: sand with minimal layer thickness of 30 cm (A,C), synthetic material approved for free fall of 2,00 m

