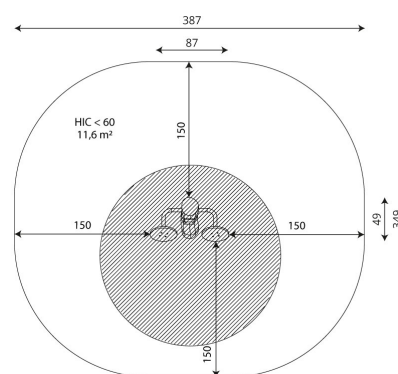


FITNESS RB1109 TAI-CHI WHEELS



Safety zone	11,6 m ²
Length	87 cm
Width	49 cm
Total height	146 cm
Free fall height	< 60 cm
Age area	14+
In accordance EN standards	16630:2015
Weight of the heaviest part [kg]	50
Dimension of the biggest part [cm]	22x22x215
Availability of spare parts	Yes

Minimal space



MATERIAL SPECIFICATION

- Construction made of Robinia - very durable acacia wood with a diameter of ~ 22 cm without sharp edges, resistant to weather conditions,
- Powder-galvanized and powder-coated steel or stainless steel bars,
- Rotary elements made of polycarbonate and HDPE,
- Stainless steel and/or galvanized steel screws,
- Polycarbonate and HDPE phone holder,
- Moving elements based on bearings mechanism closed in casing, which do not require periodic greasing and maintenance, which ensures a long service life of the device,

ADDITIONAL COMMENTS

- device intended for public outdoor gyms;
- equipment has a certificate issued by an accredited entity or a declaration of conformity;
- no sharp edges or chinks that would pose a danger of jimmieing the head, fingers or any other body parts;
- anchoring on flat surface, 80/70 cm deep;
- render is for reference only, the actual appearance of the equipment and its color may vary;

SURFACES

Due to the free fall height of the equipment, the EN 16630:2015 standard allows the following surfaces: turf/ soil (A,B,C), sand with minimal layer thickness of 30 cm (A,C), synthetic material approved for free fall of 0,60 m.

