

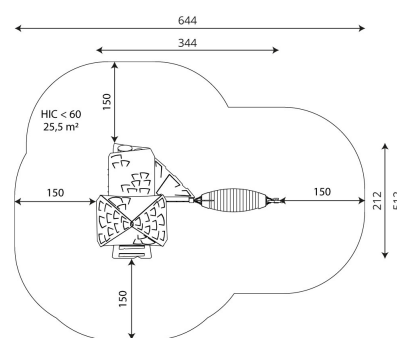
CASTILLO 3001

PLAYGROUND EQUIPMENT



Safety zone	25,5 m ²
Lenght	344 cm
Width	212 cm
Total height	285 cm
Free fall height	<60 cm
Age range	1 - 8 years
In accordance with EN standard	1176-1:2017
Weight of the heaviest part [kg]	17 kg
Dimension of the biggest part [cm]	8x8x340
Availability of spare parts	Yes

Minimal space



MATERIAL SPECIFICATION

- Steel structure with a profile of 80 x 80 mm, powder galvanized and powder coated or made of stainless steel,
- Platforms and climbing walls made of durable anti-slip and waterproof HPL plates
- Roofs, side panels, moving elements, flag and music panel made of HDPE plate, resistant to weather conditions,
- Maze made of durable, waterproof HDPE plate and transparent polycarbonate, balls made of synthetic material,
- Telescope made of stainless steel,
- Screws covered with plastic caps or stainless steel screws.
- Rubber or polypropylene PP, safe end caps on top of the structure,
- Stainless steel bars and handrails,
- Rubber hammock with textile reinforcement, calibrated stainless steel chains, preventing fingers entrapment.

ADDITIONAL COMMENTS

- equipment intended for public playgrounds;
- equipment has a certificate issued by an accredited entity or a declaration of conformity;
- no sharp edges or chinks that would pose a danger of jimming the head, fingers or any other body parts;
- anchoring on flat surface, 80/70/60 cm deep;
- render is for reference only, the actual appearance of the equipment and its color may vary;

SURFACES

Due to the free fall height of the equipment, the EN 1176-1:2017 standard allows the following surfaces: turf/ soil (A,B,C), sand with minimal layer thickness of 30 cm (A,C), synthetic material approved for free fall of 0,60 m (A,B,C).

