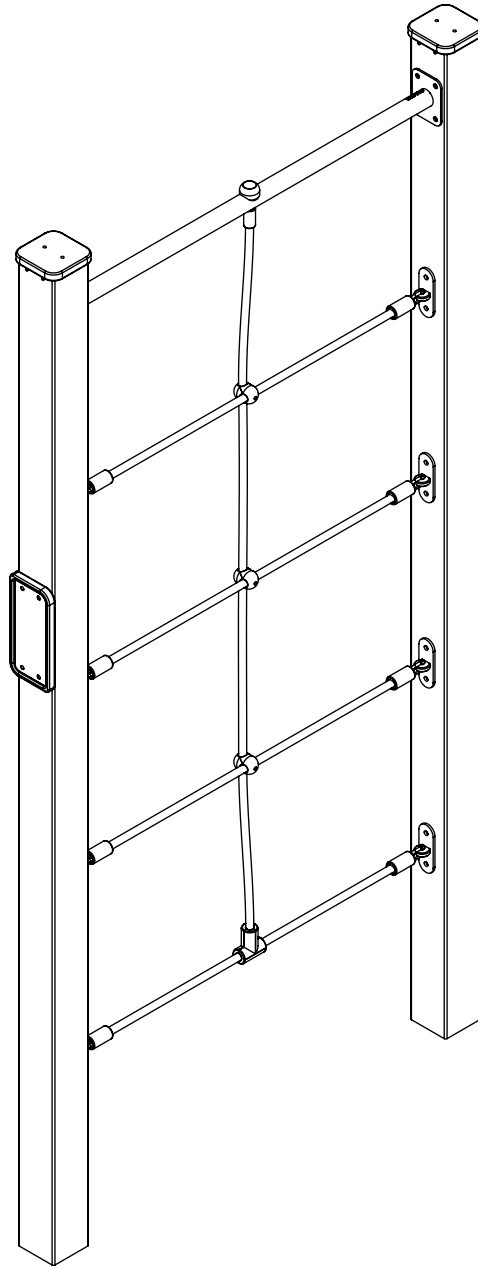


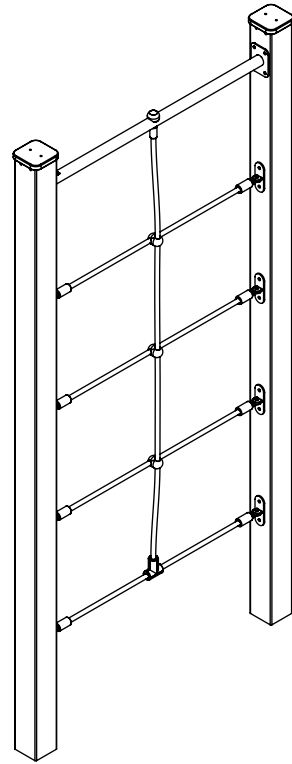
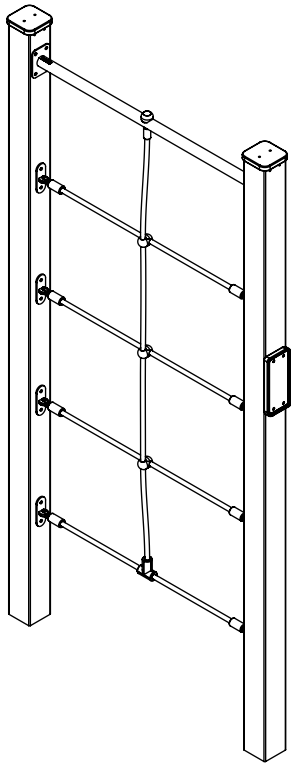
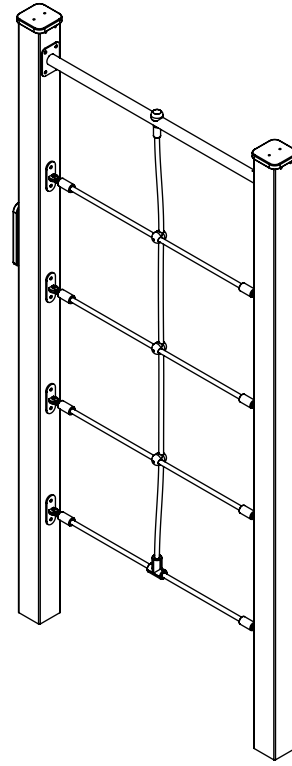
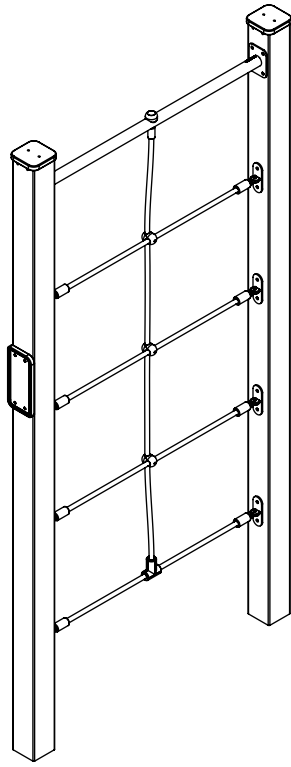
# 2310

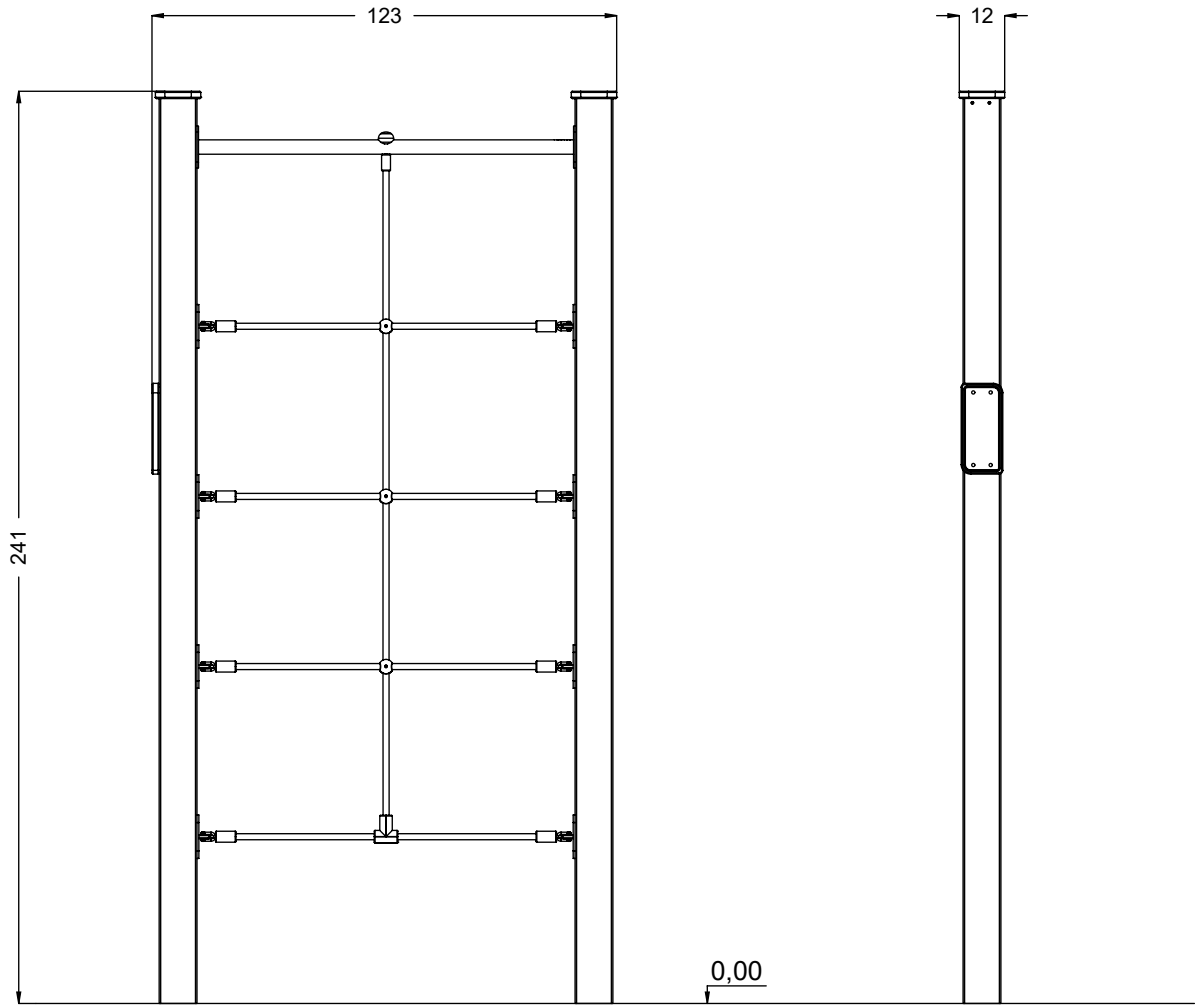


v010  
29.04.2021  
A. H.  
[cm]



vinci  
play

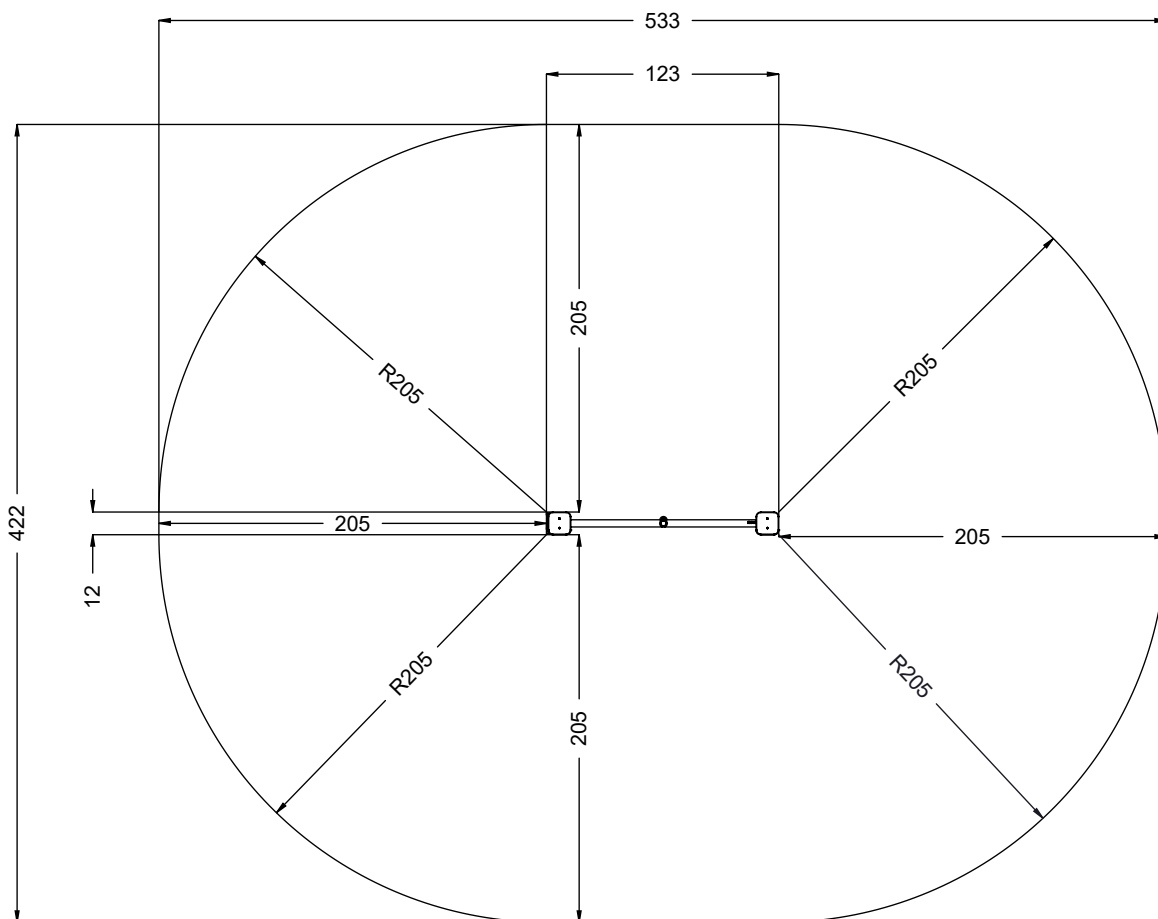




[cm]



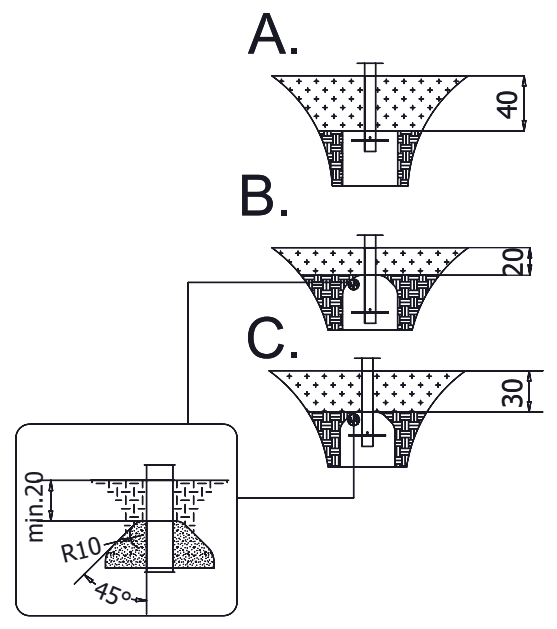
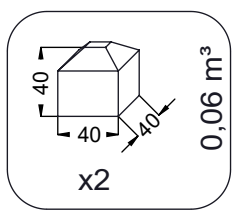
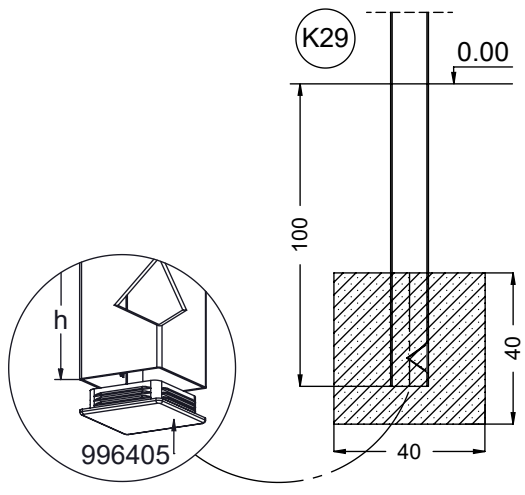
vinci  
play



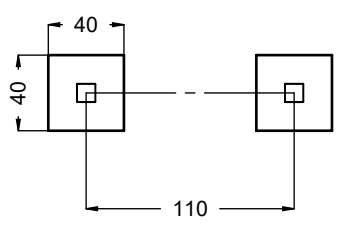
[cm]



vinci  
play



K29



[cm]

x2  
 1h  
  
  
 48h  
 K29 x2 >0,06m³

vinci play



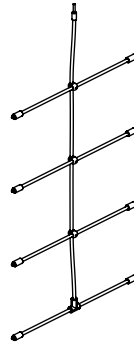
237117  
x1



237116  
x1

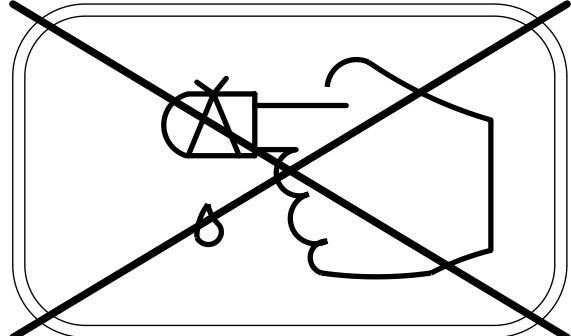
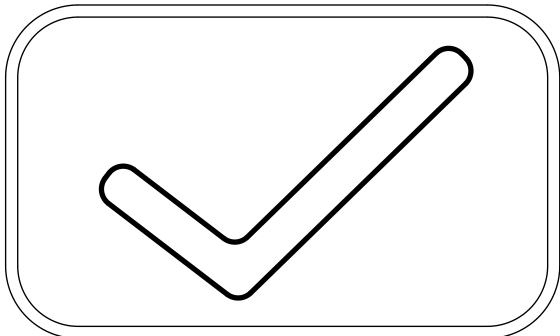
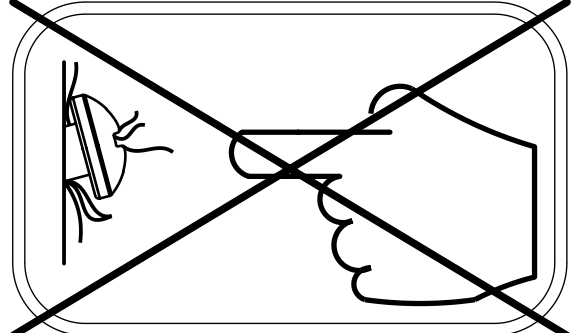
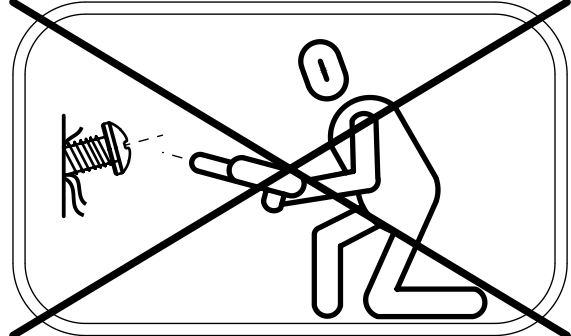


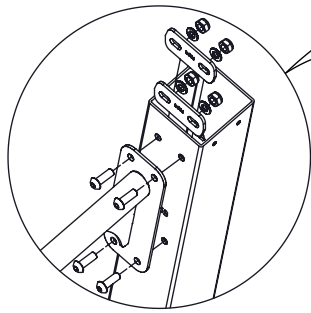
232107  
x1



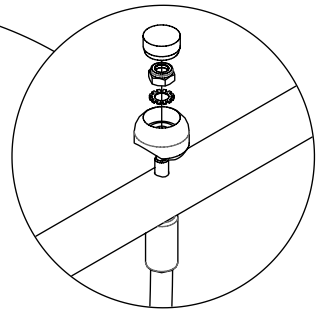
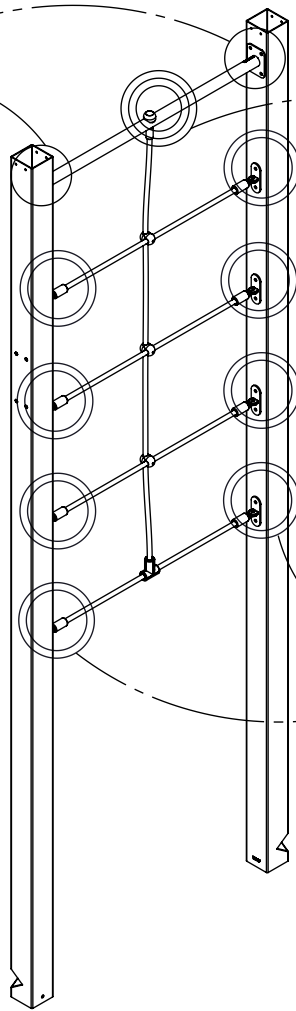
234100  
x1

ST/INOX	
2x	23e001
2x	23e004
1x	23e041
1x	23e003
1x	236110
2x	996405

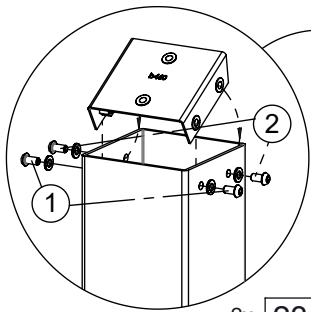
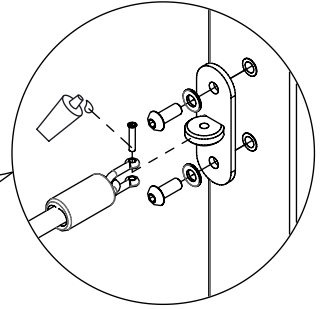




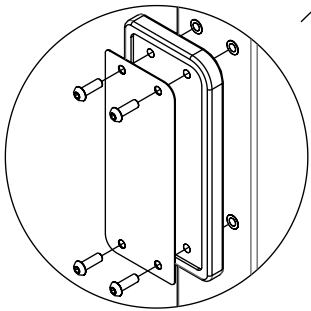
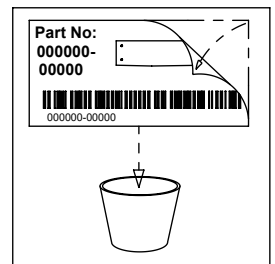
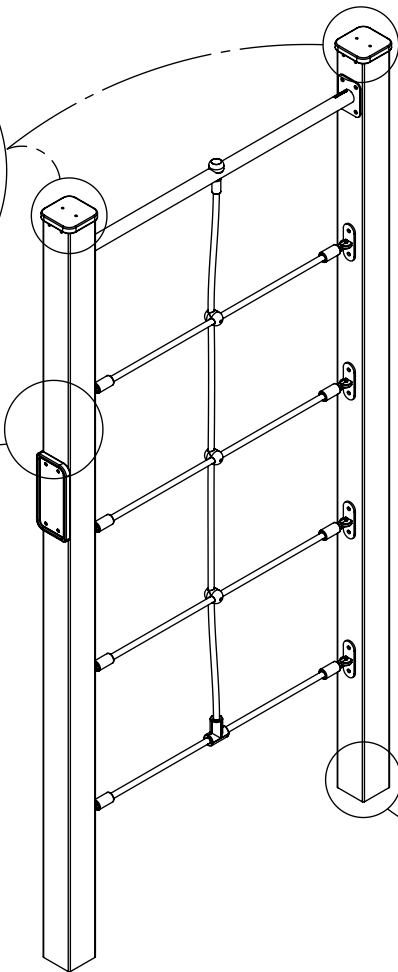
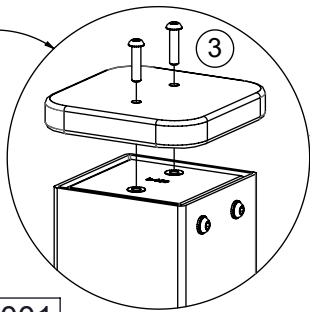
2x 23e004



1x 23e041

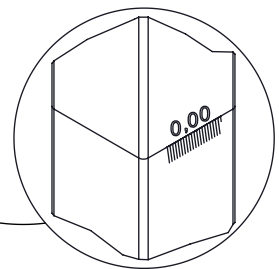


2x 23e001



1x 23e003

1x 236110



[cm]



vinci play