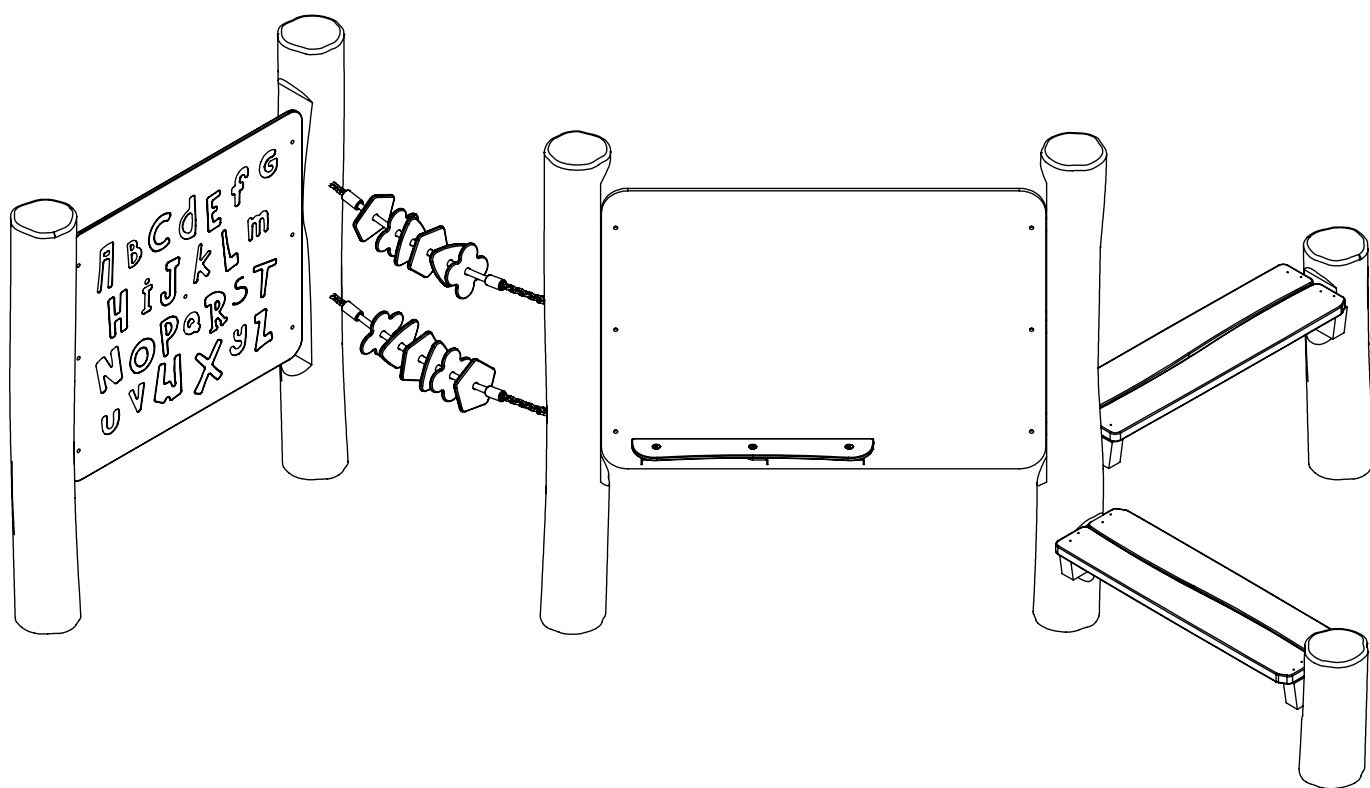
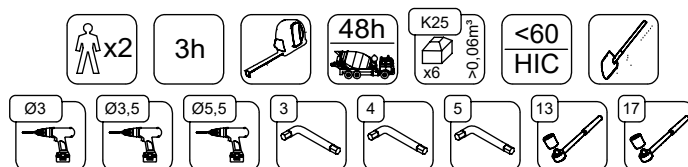


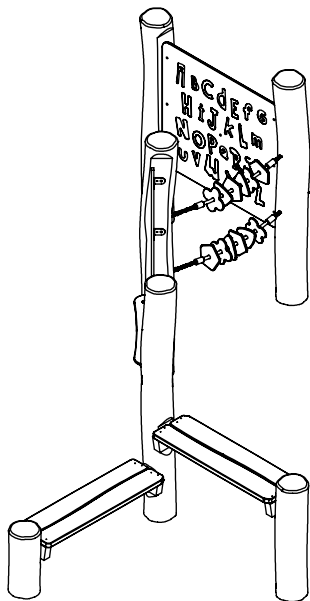
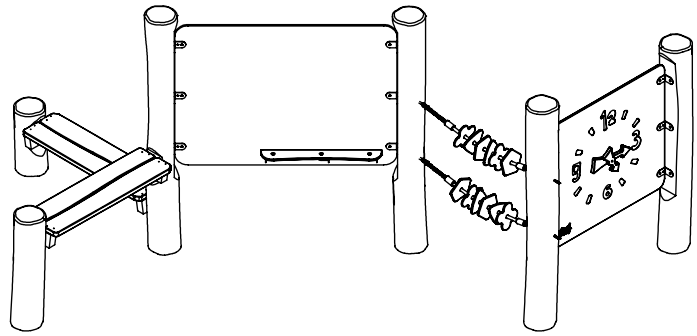
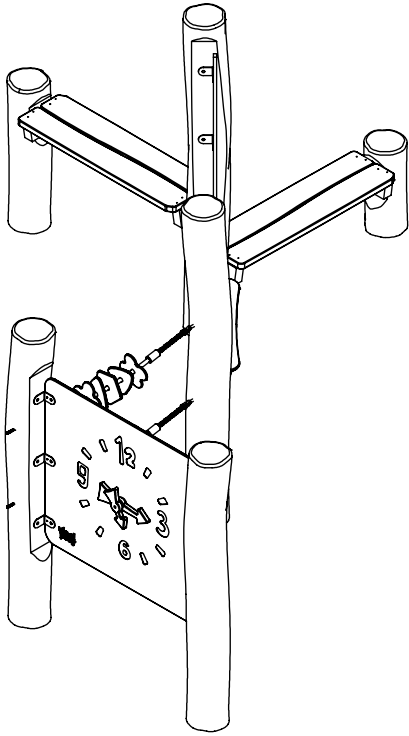
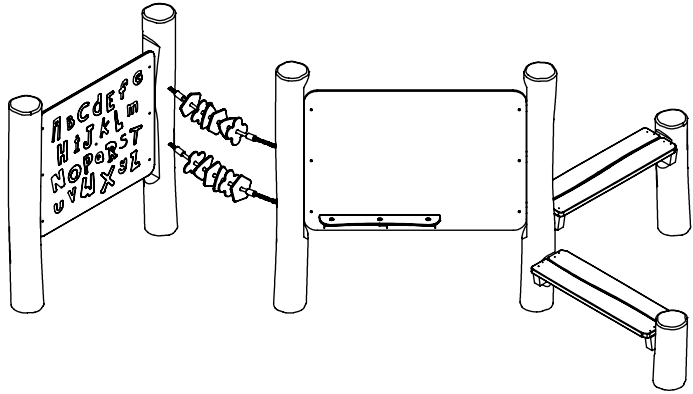
# RB1344



v010  
27.02.2021  
A. P.  
[cm]

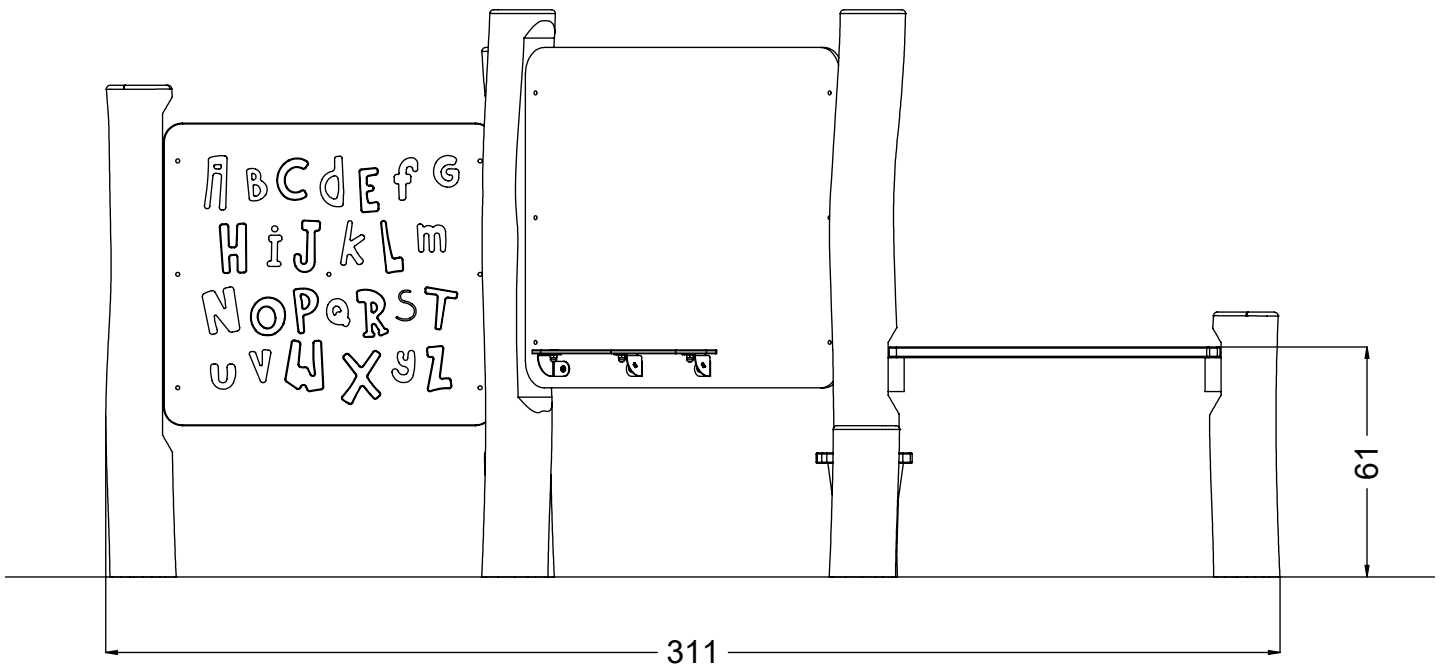
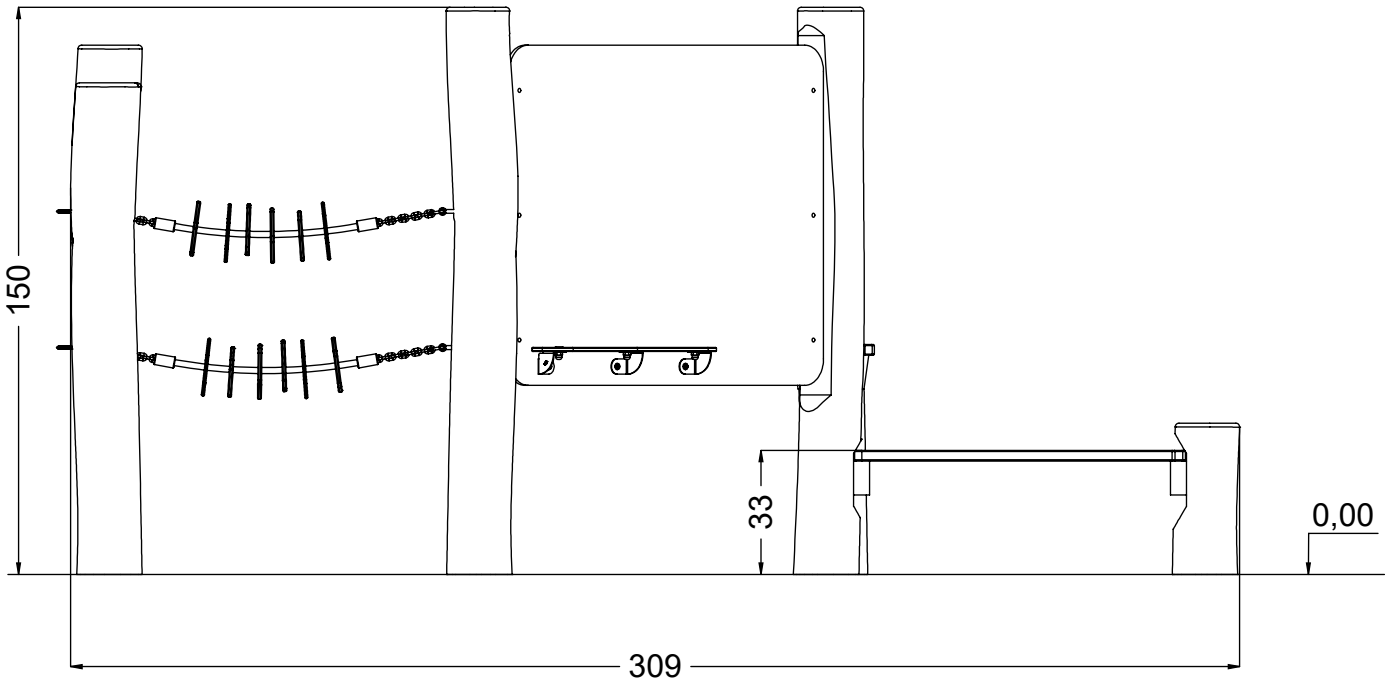


vinci  
play



[cm]

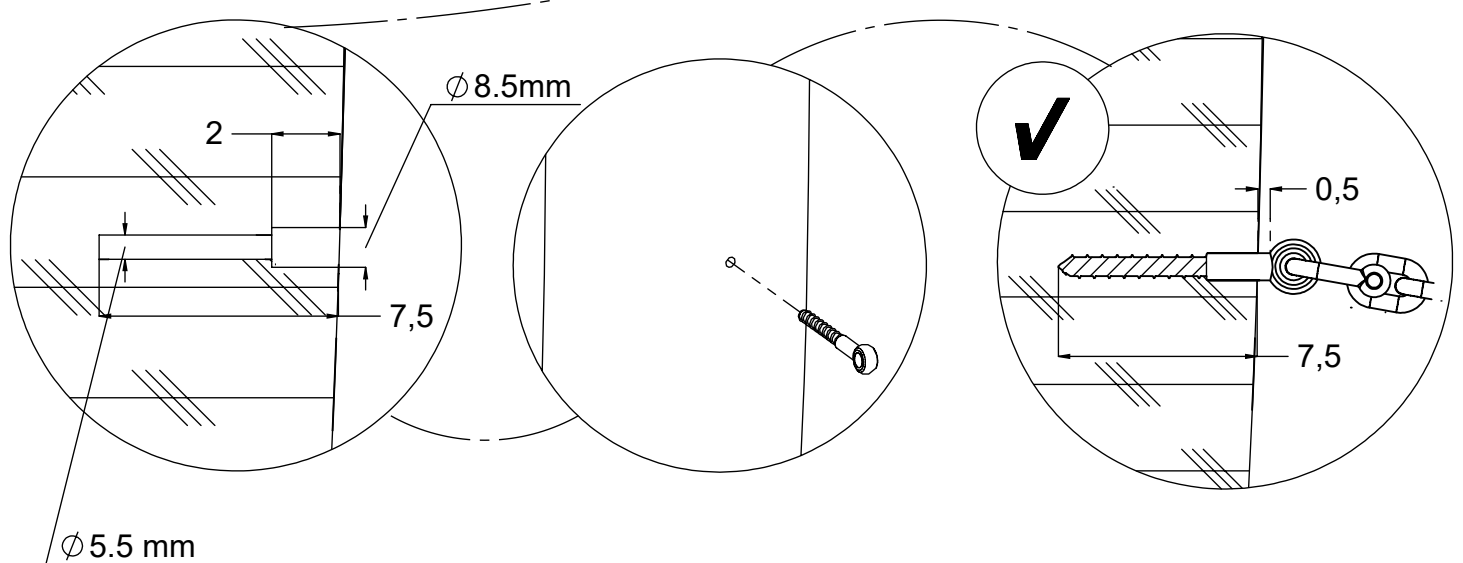
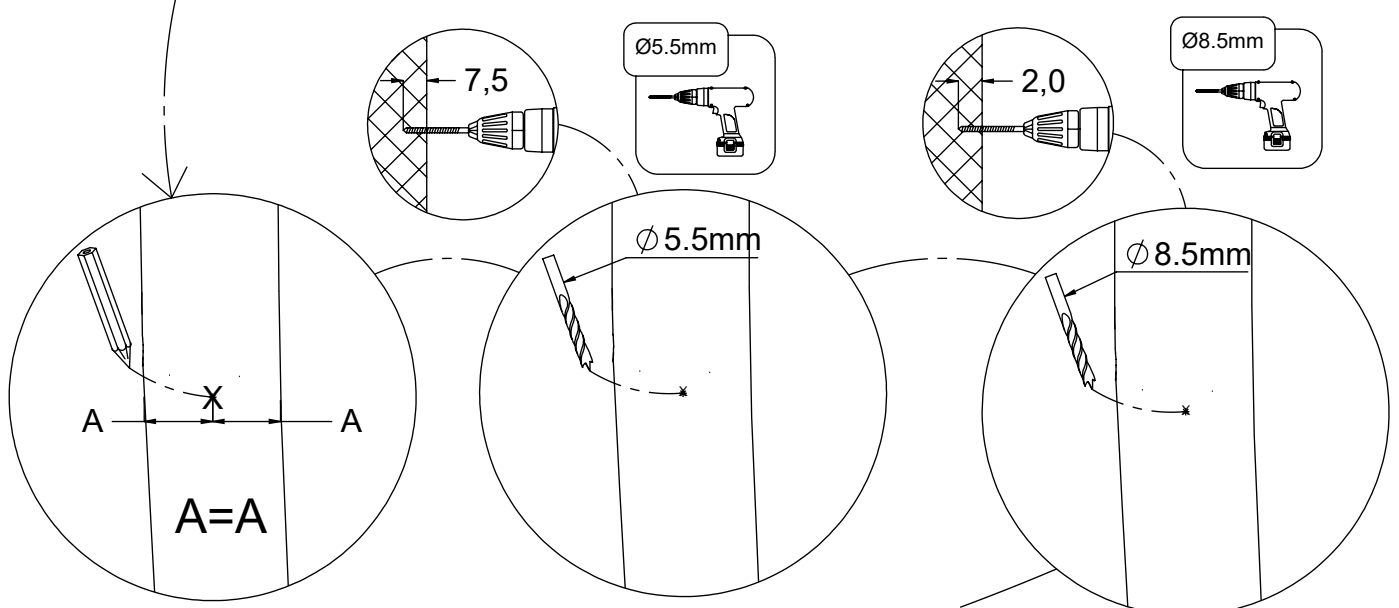
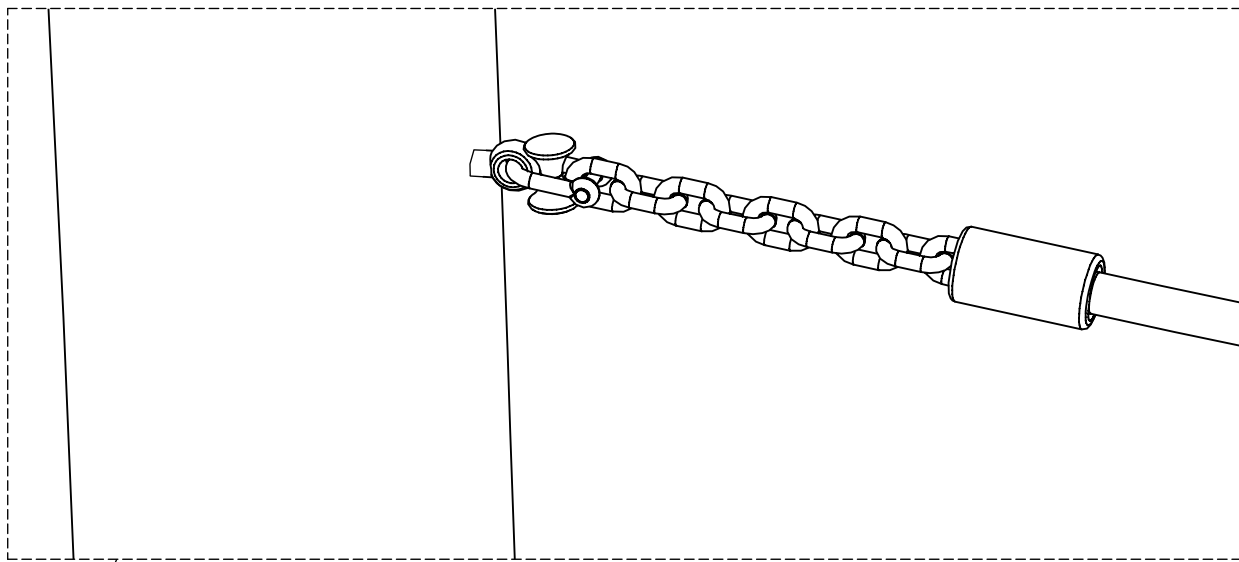
vinci  
play



[cm]



vinci  
play



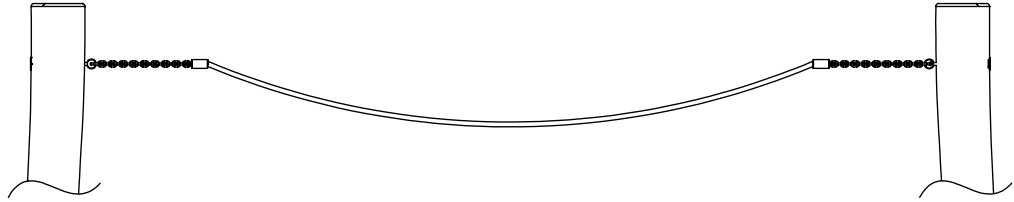
[cm]

vinci  
play

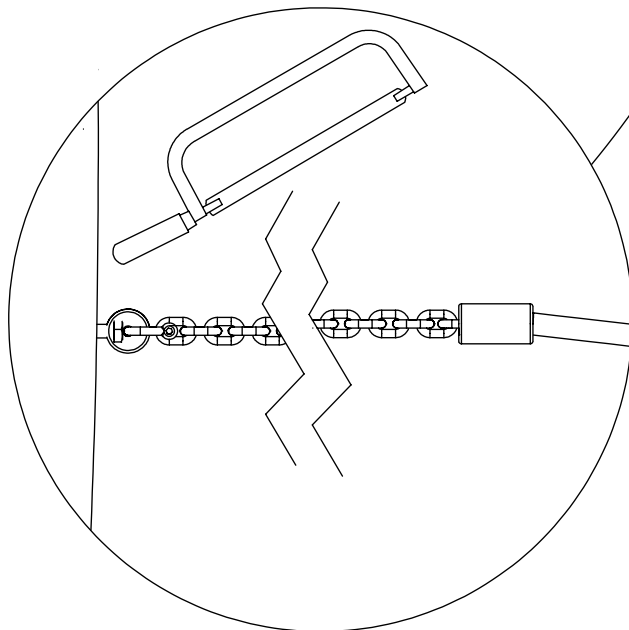
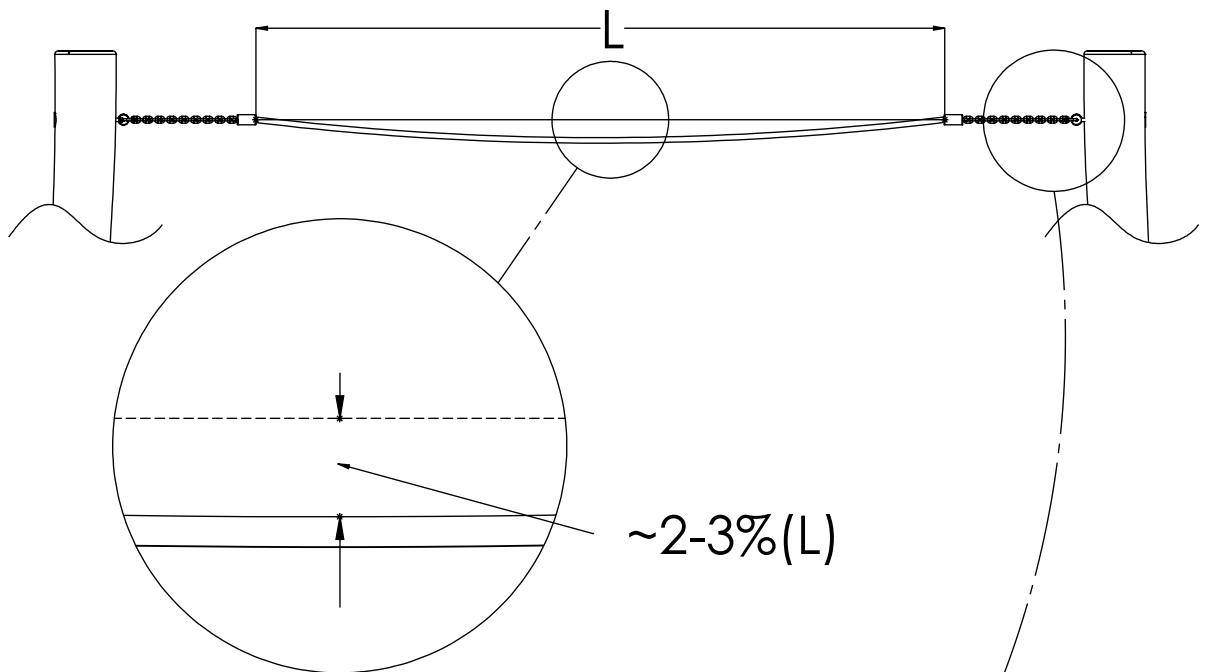
X

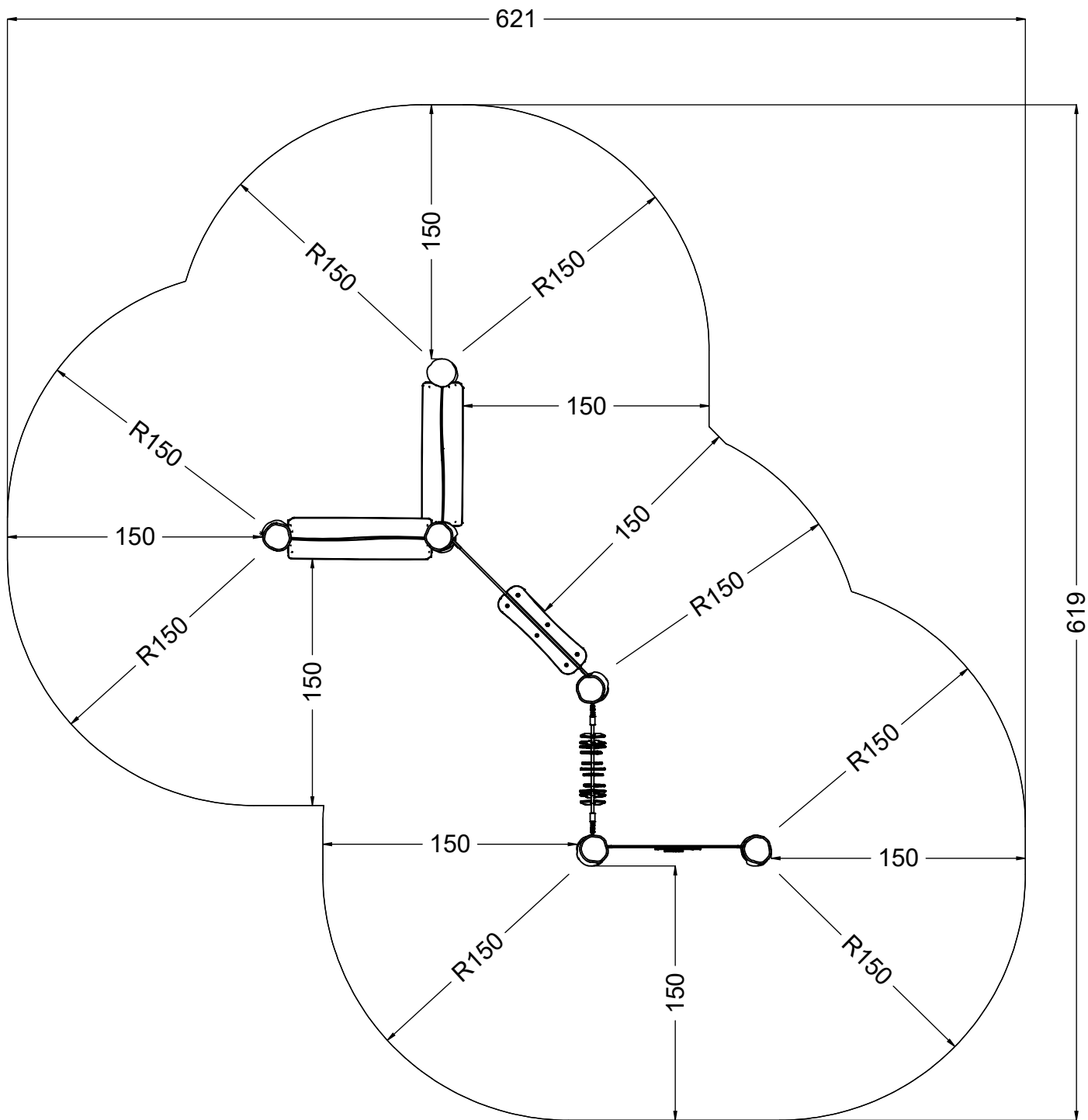


X



V

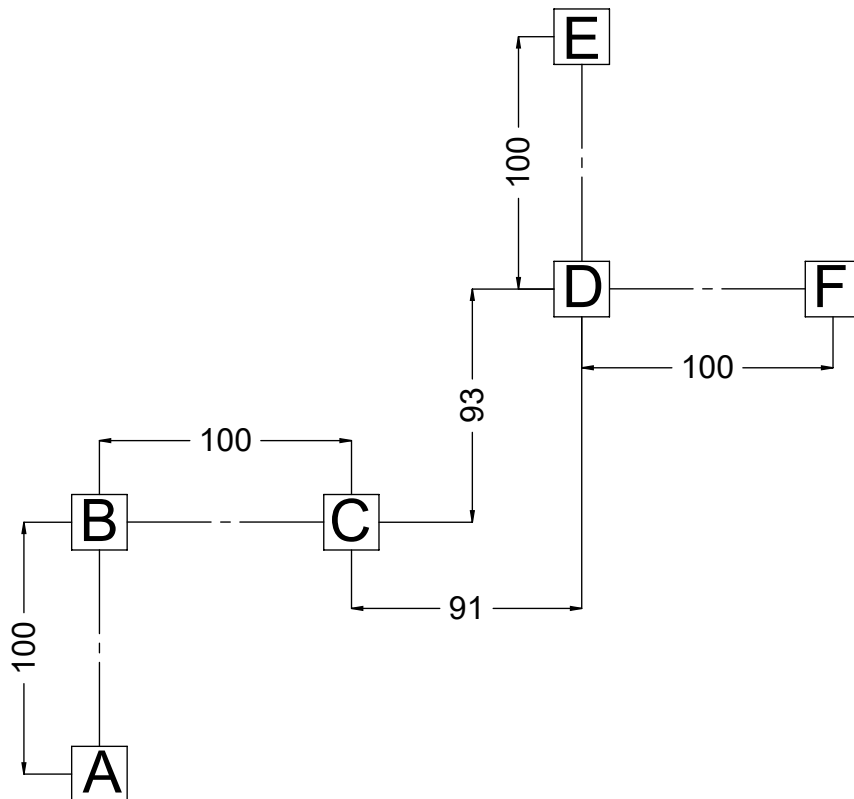
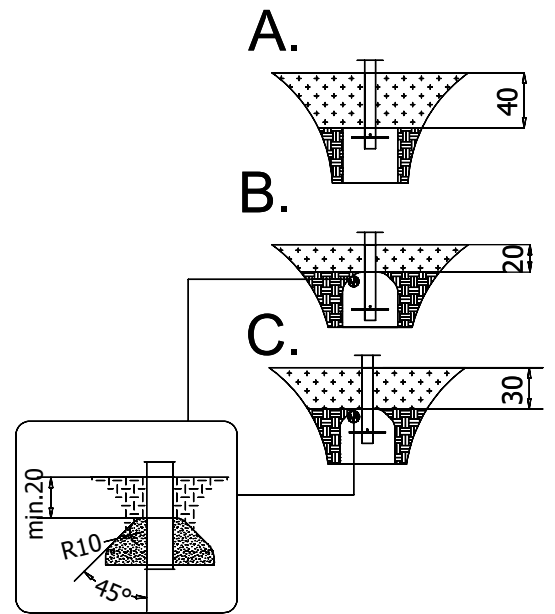
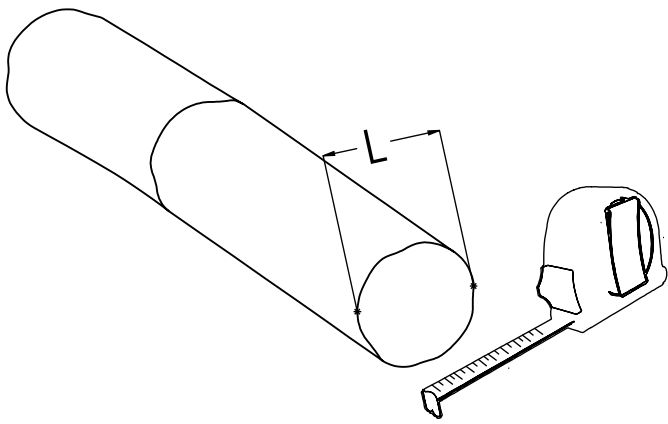
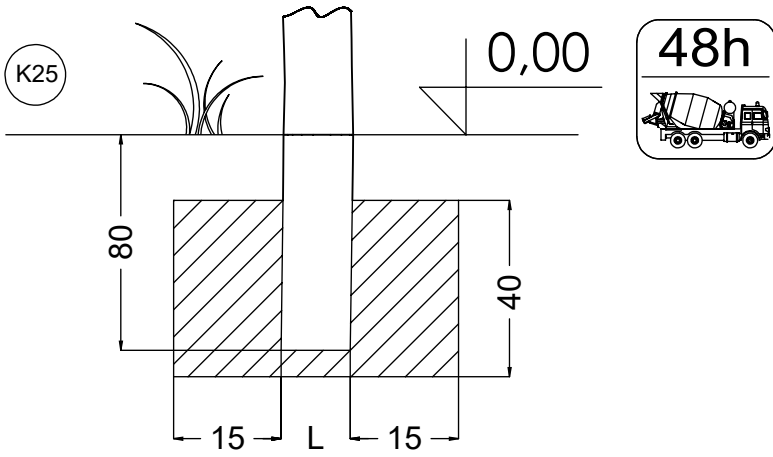




[cm]



vinci  
play



[cm]



3h



vinci  
play



127362 A  
x1



127363 B  
x1



127364 C  
x1



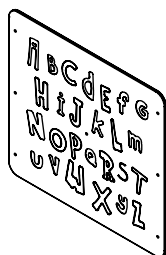
127365 D  
x1



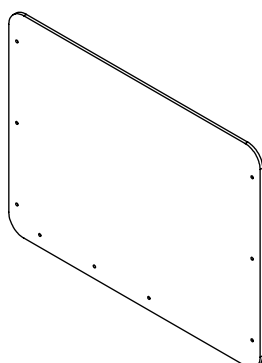
127366 E  
x1



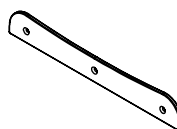
127367 F  
x1



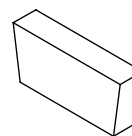
121126  
x1



121125  
x1



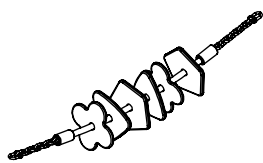
121127  
x2



128154  
x4



128153  
x4

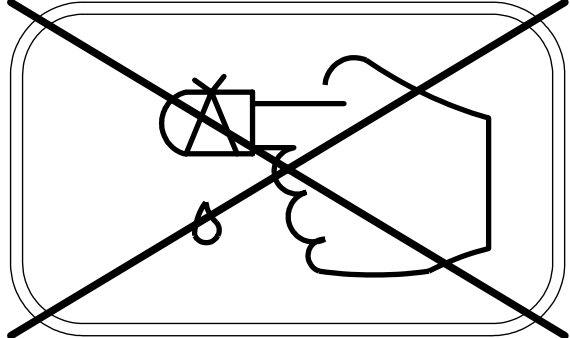
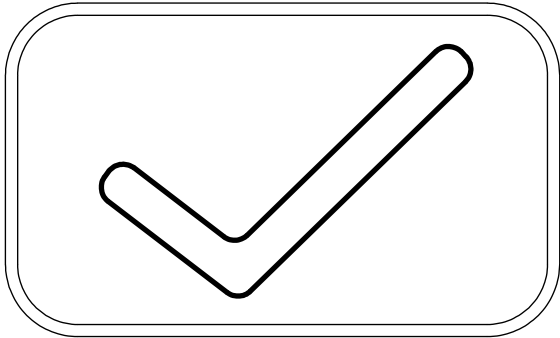
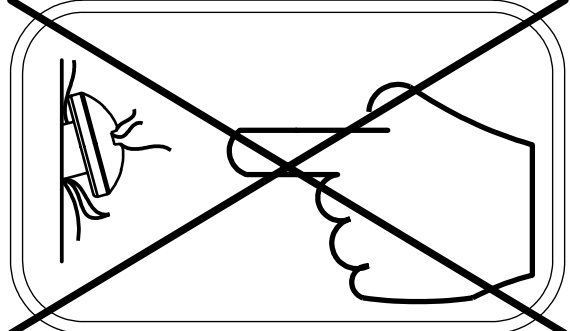
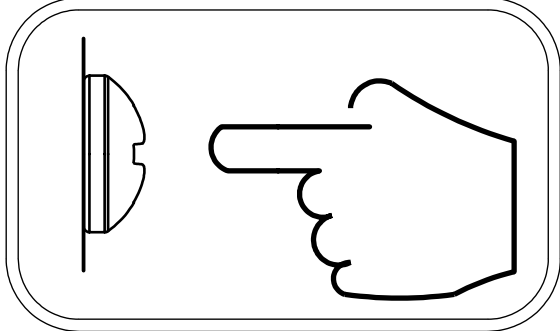
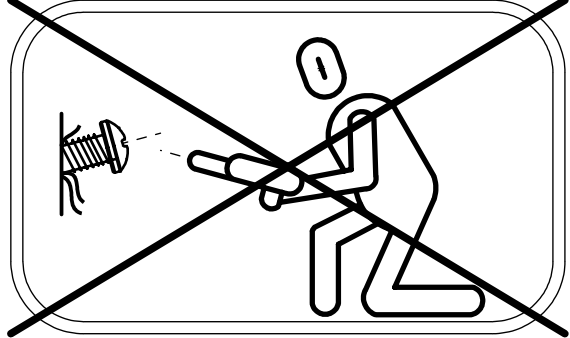
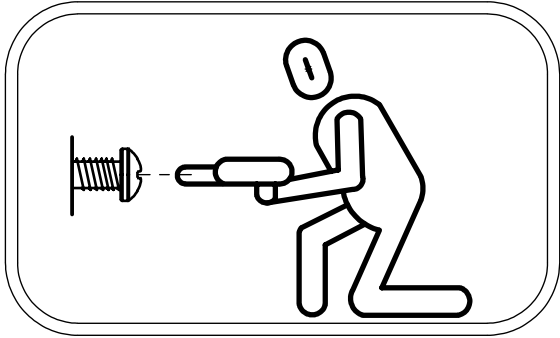


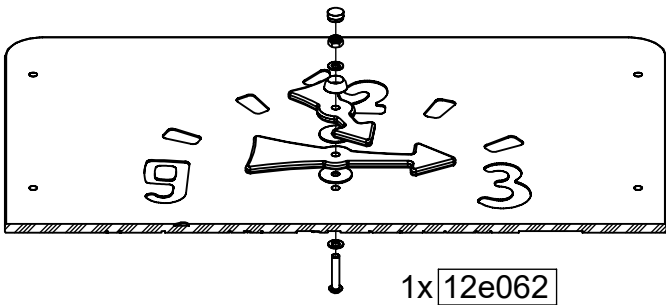
124112  
x2

16x	5x80sxs
8x	8x80sxt
12x	8x50sxi

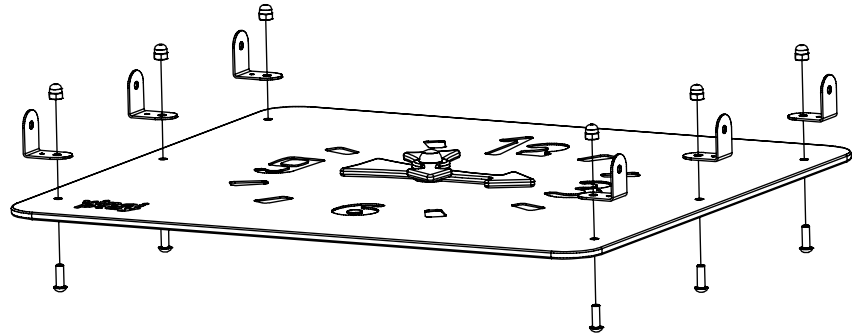
2x	12e007
2x	12e060
1x	12e061
1x	12e062
1x	V001



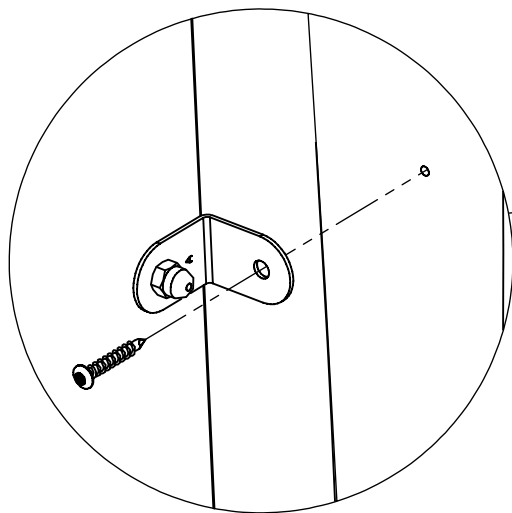
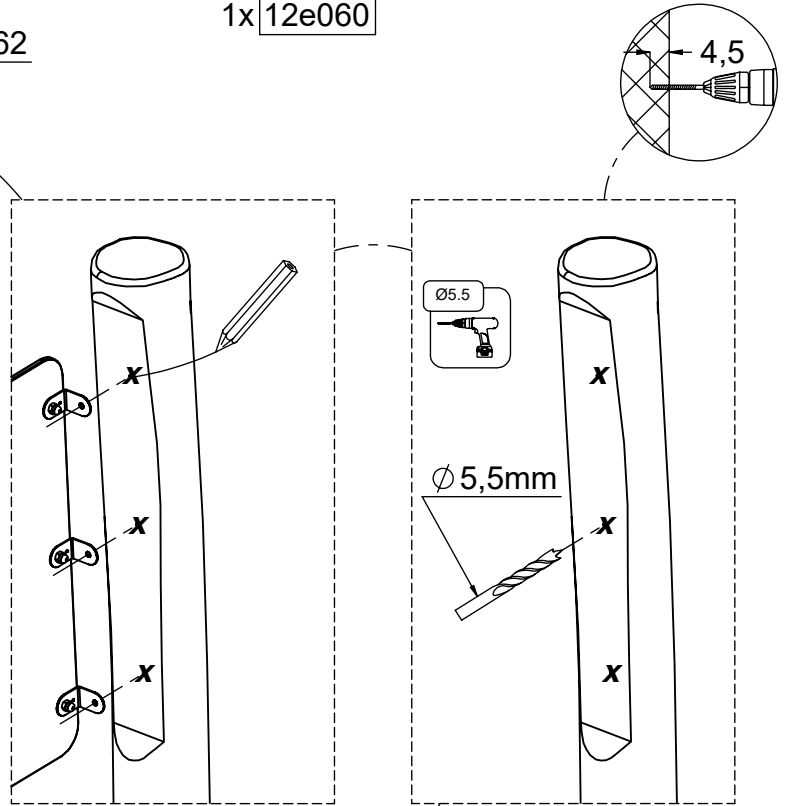
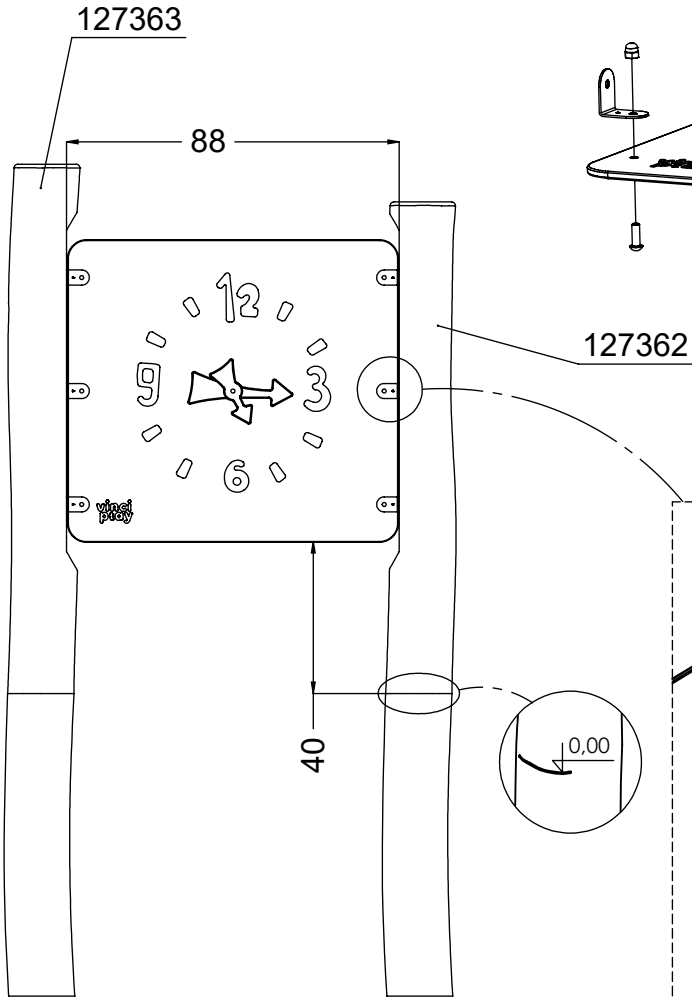




1x 12e062



1x 12e060

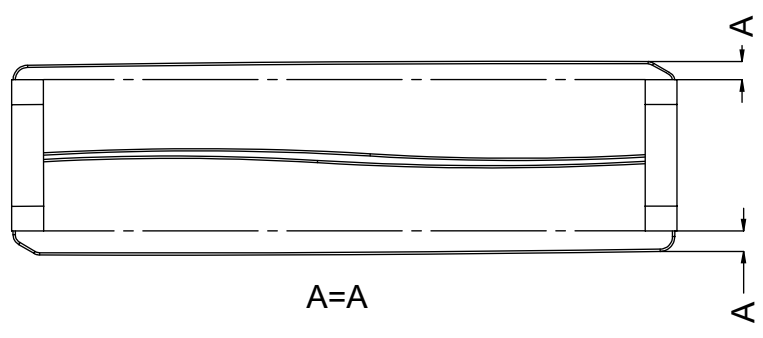
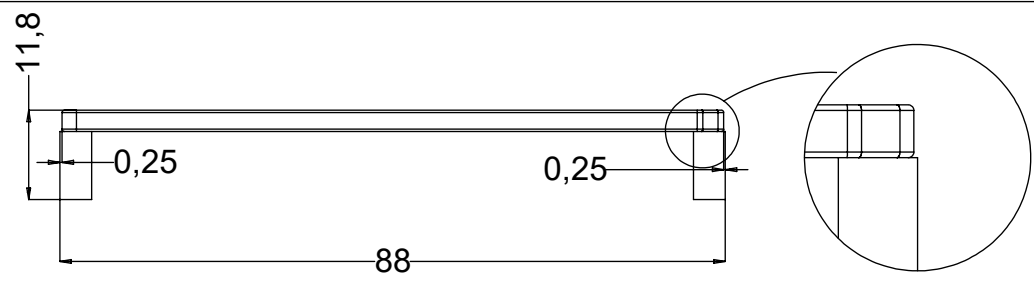


6x 8x50sxi

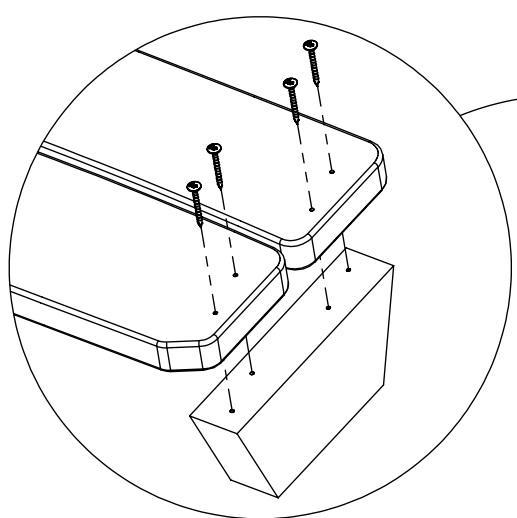
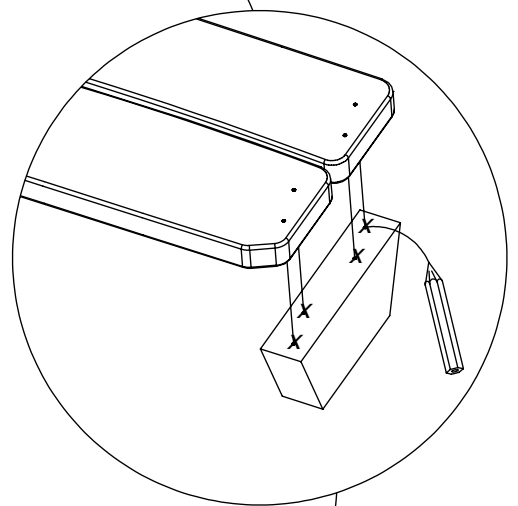
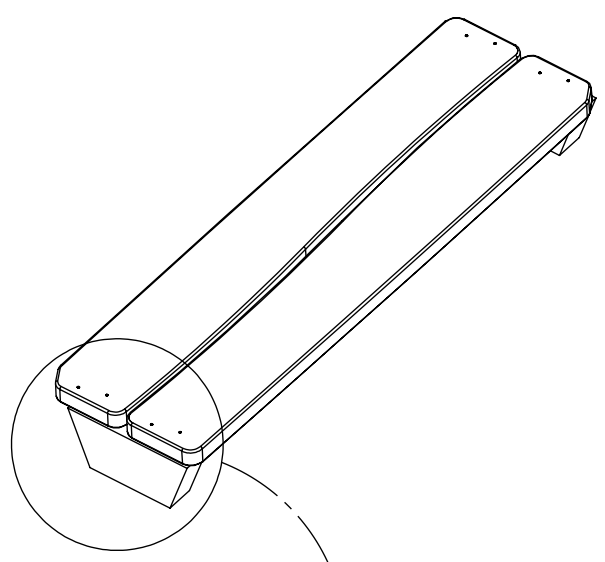
[cm]

vinci  
play

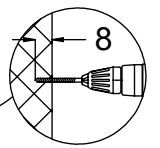
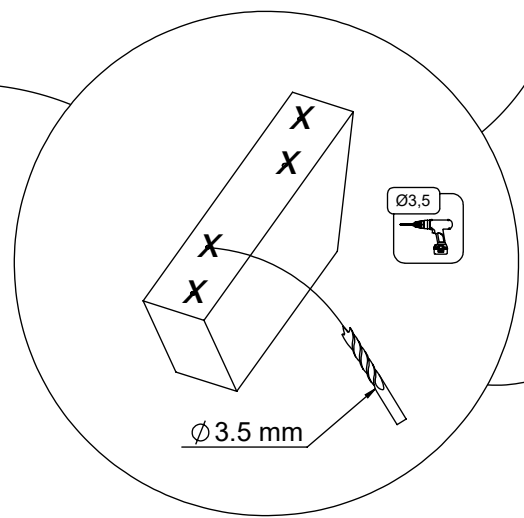
2x



A=A



8x 5x80sxs



[cm]

vinci  
play

127365

127367

127366

30

59

0,00

B=B

B

B

7

4,5

C

C=C

C



Ø 5,5mm

x

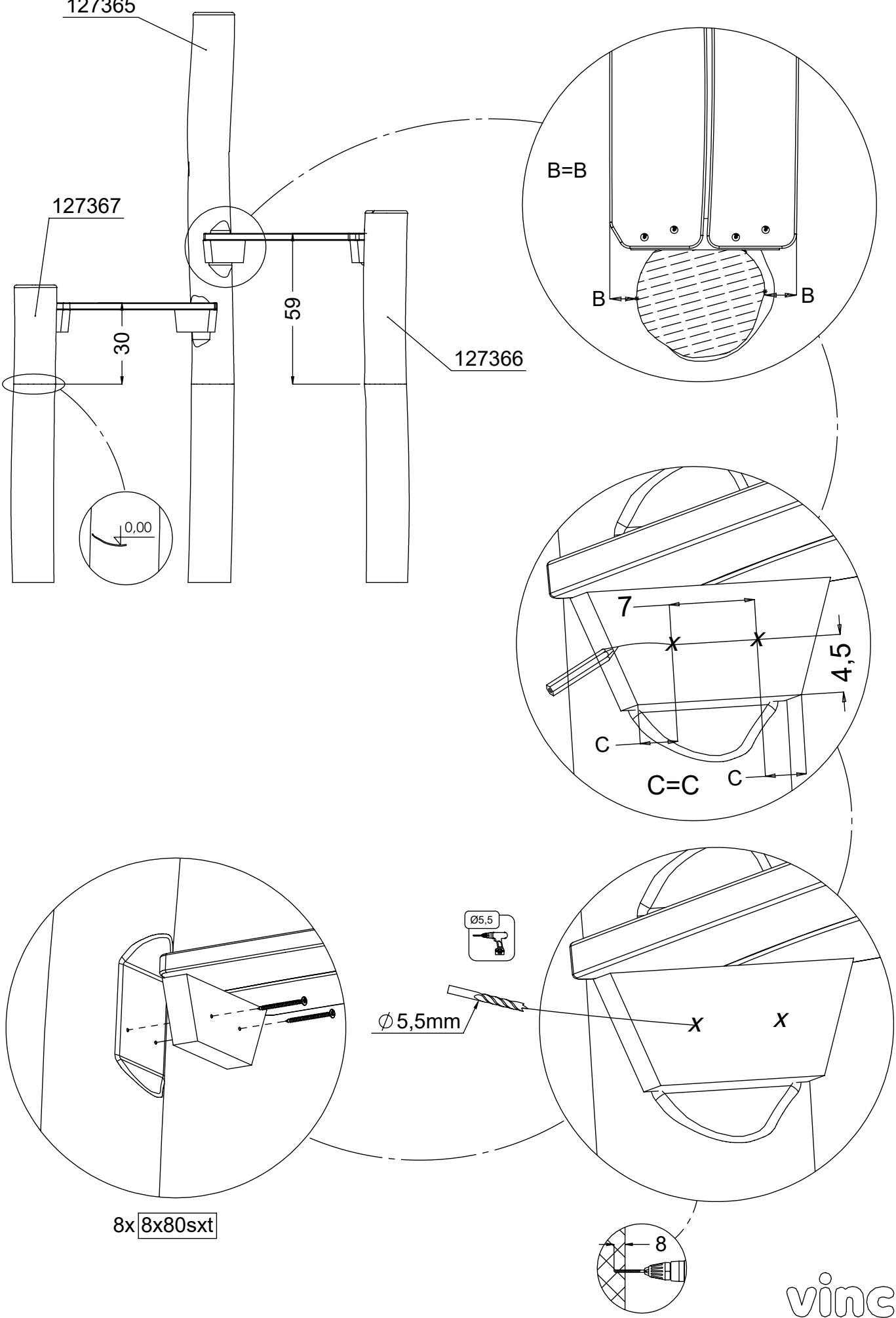
x

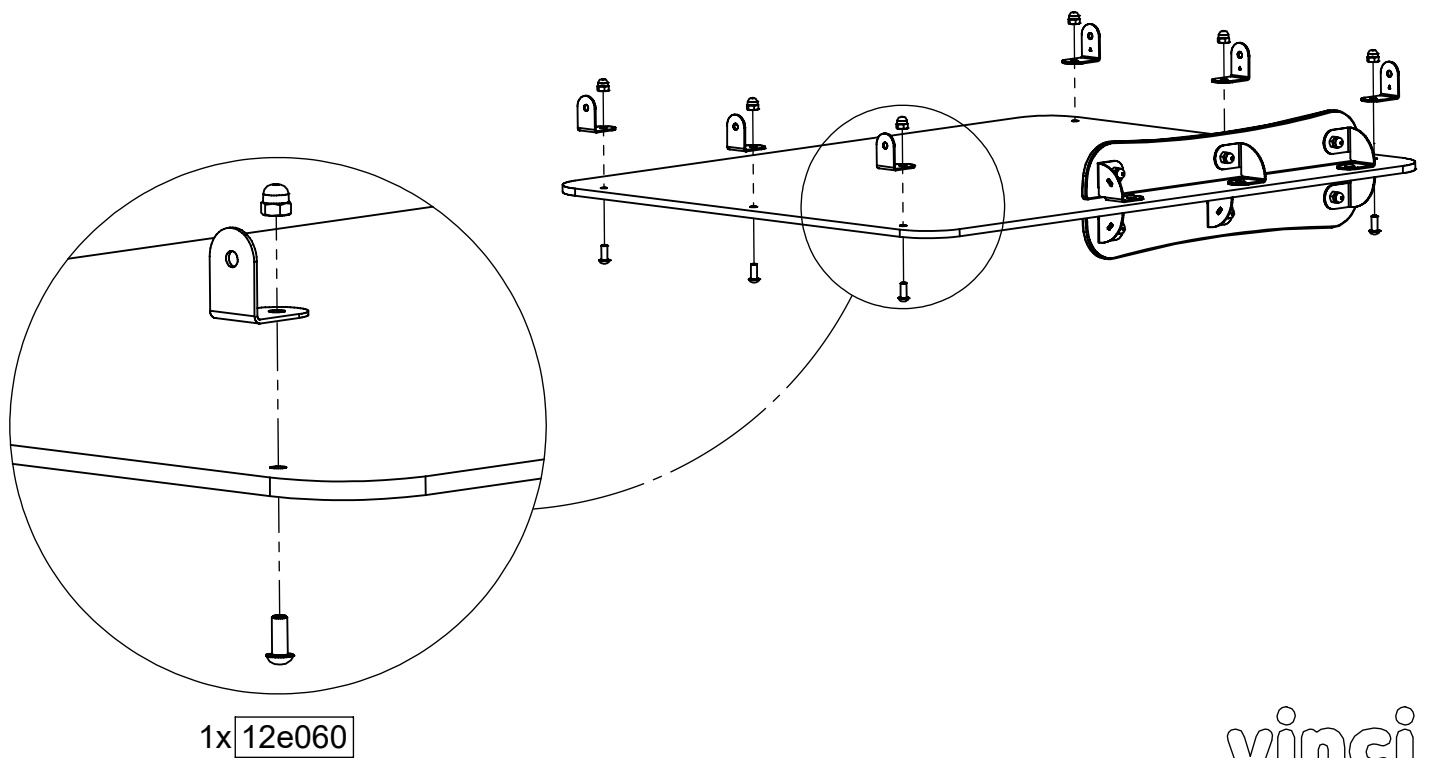
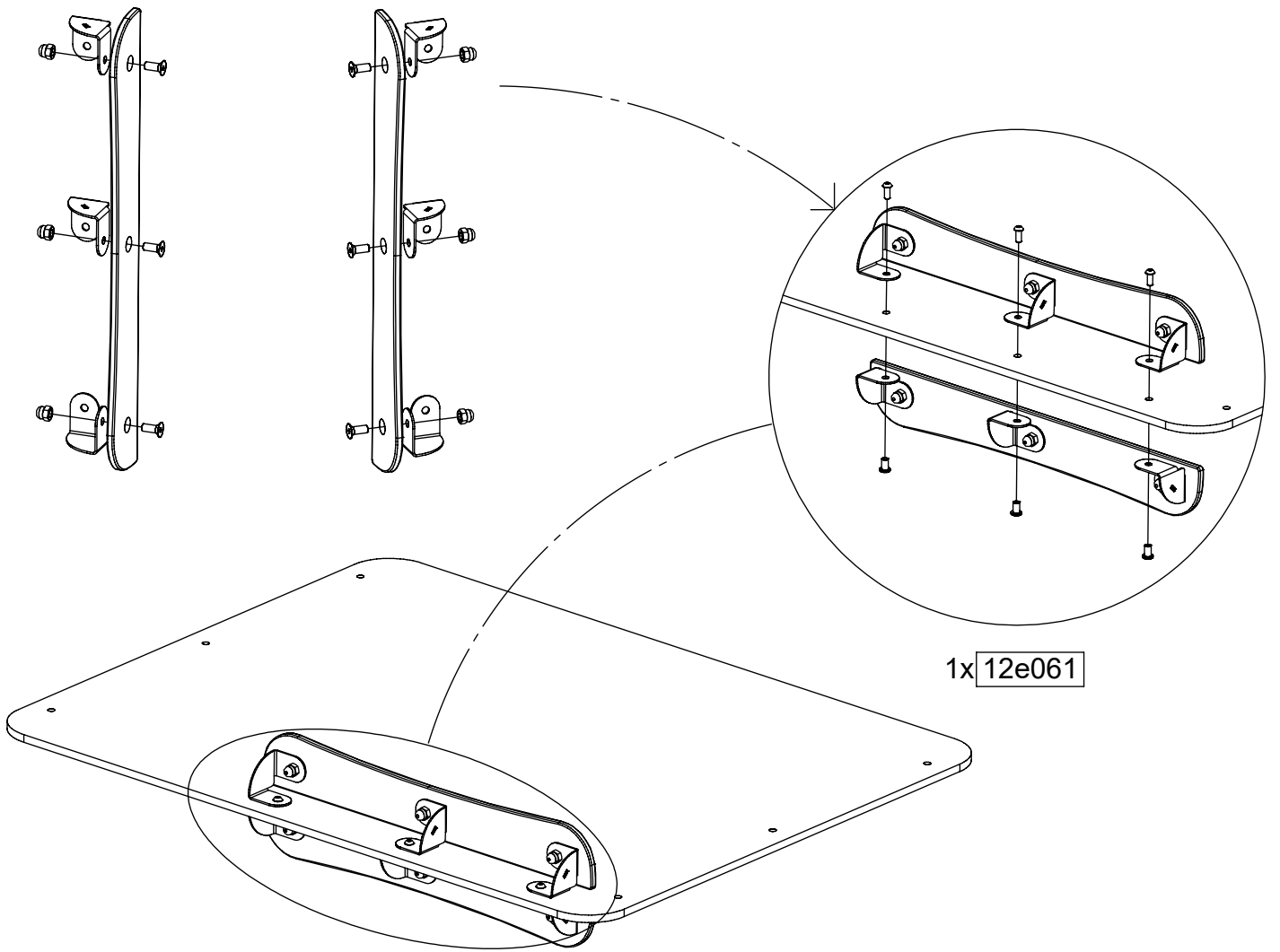
8x 8x80sxt

8

vinci play

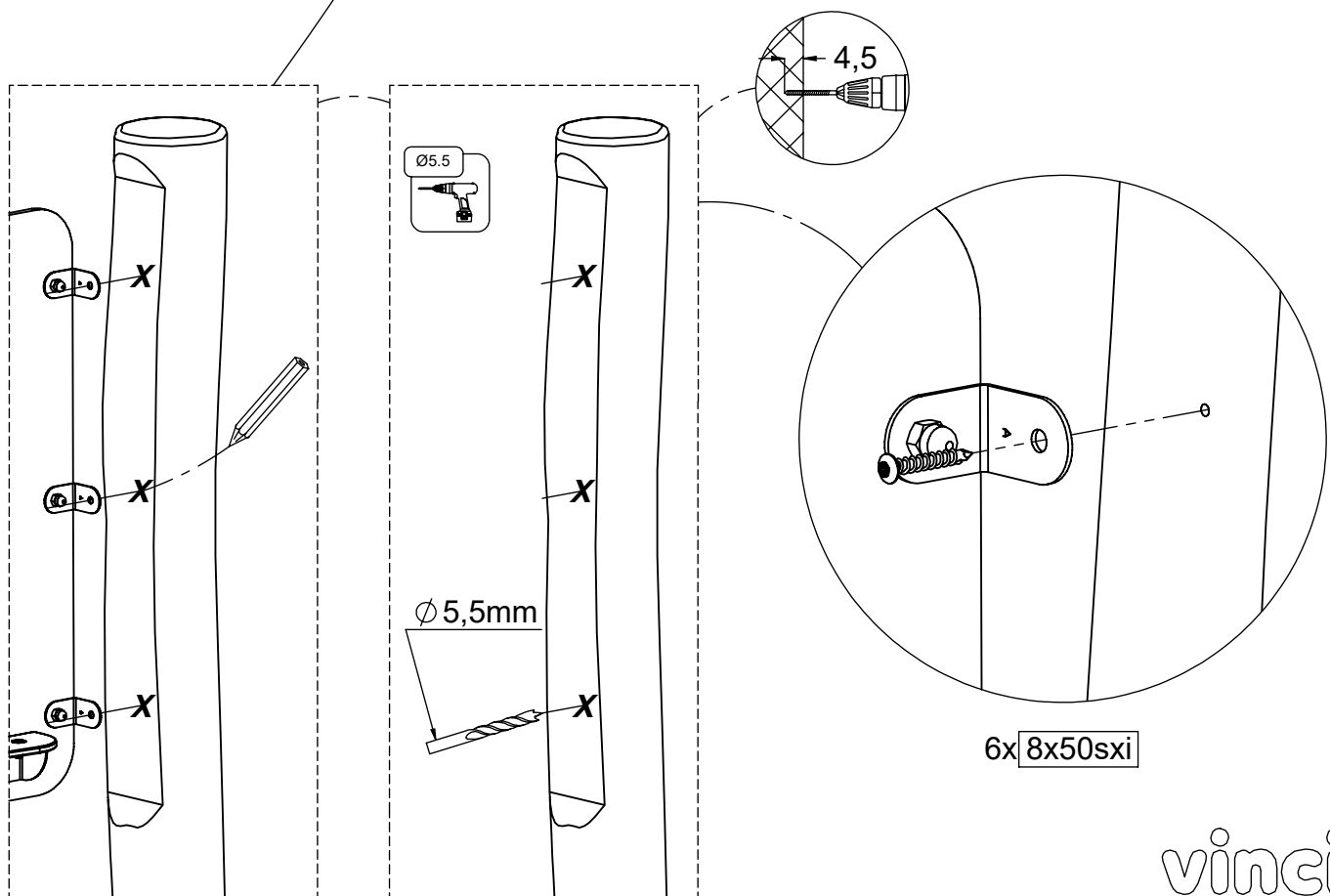
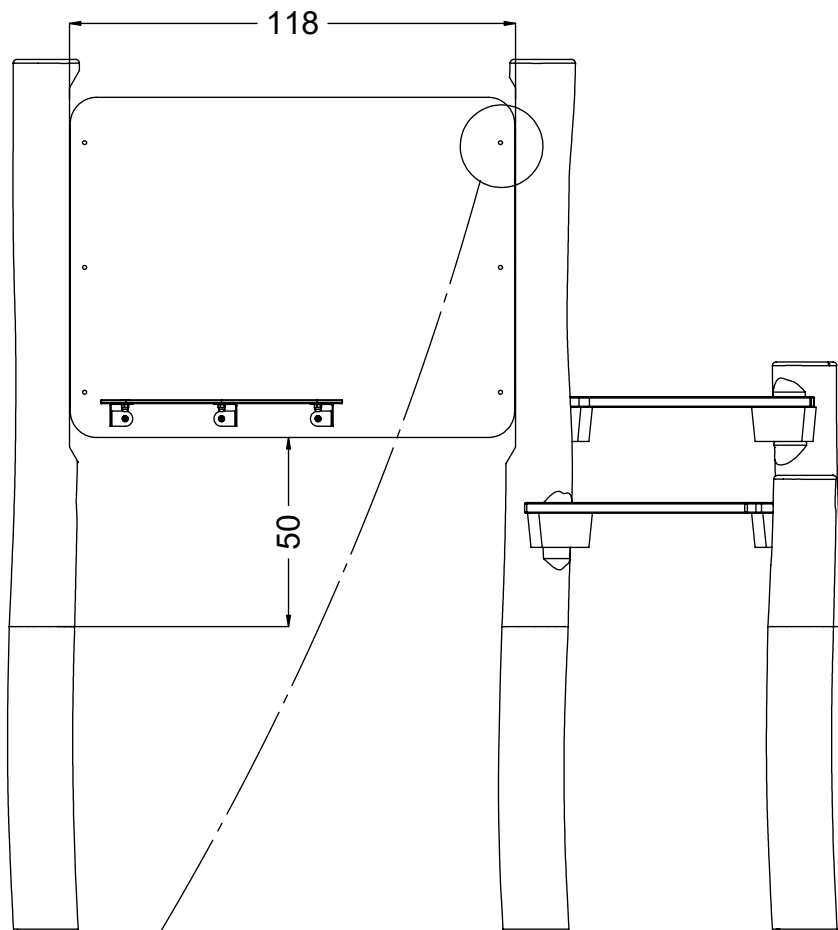
[cm]





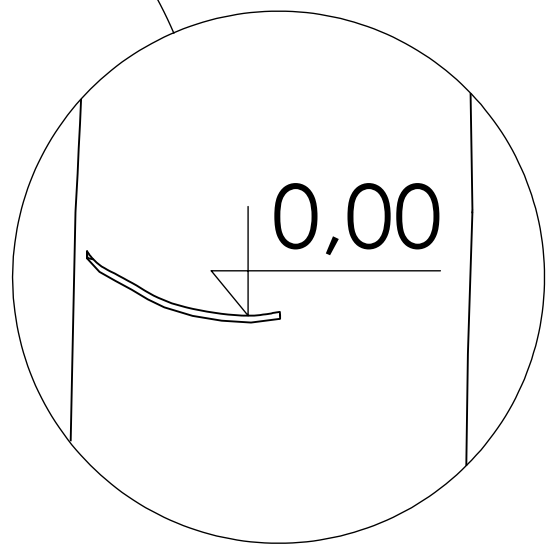
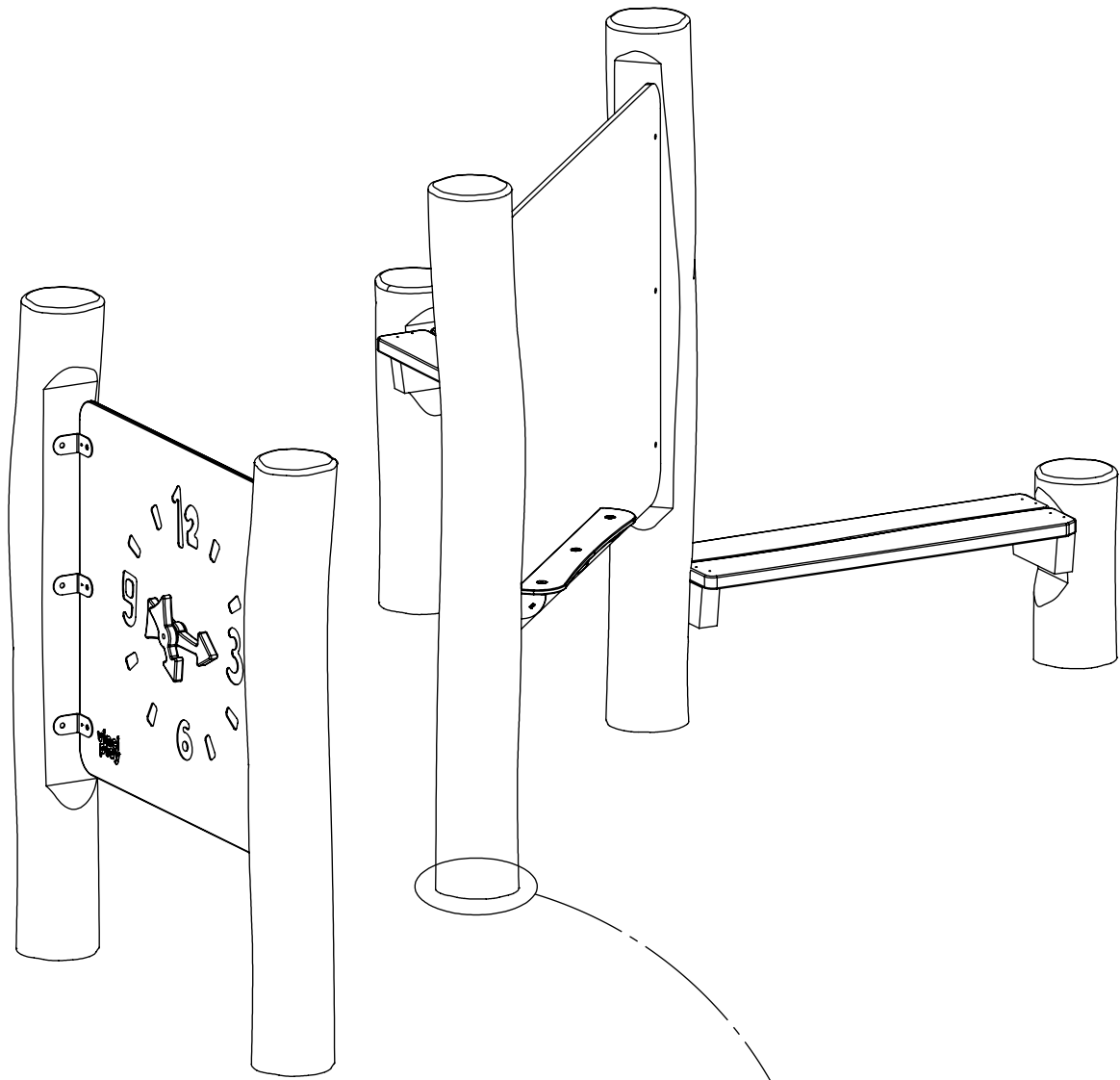
[cm]

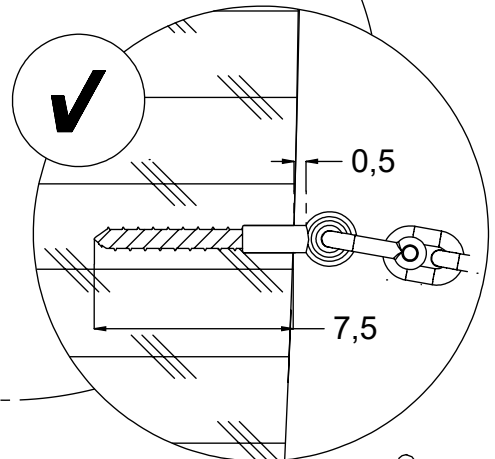
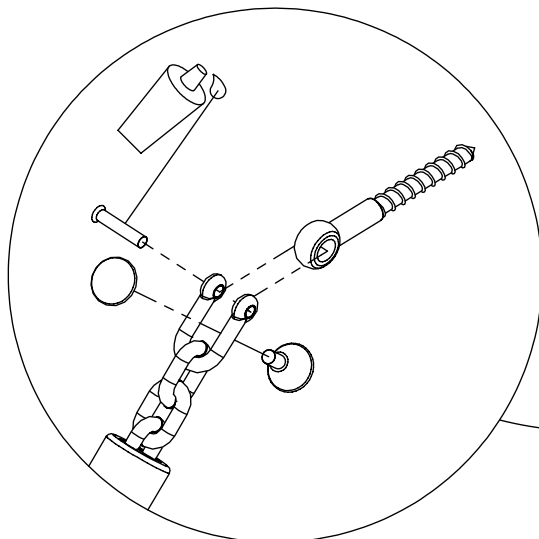
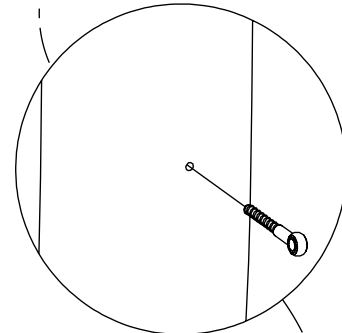
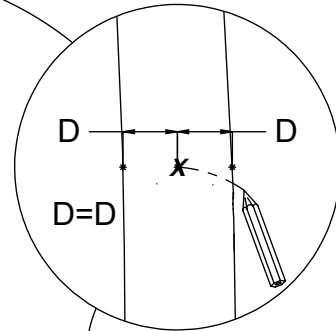
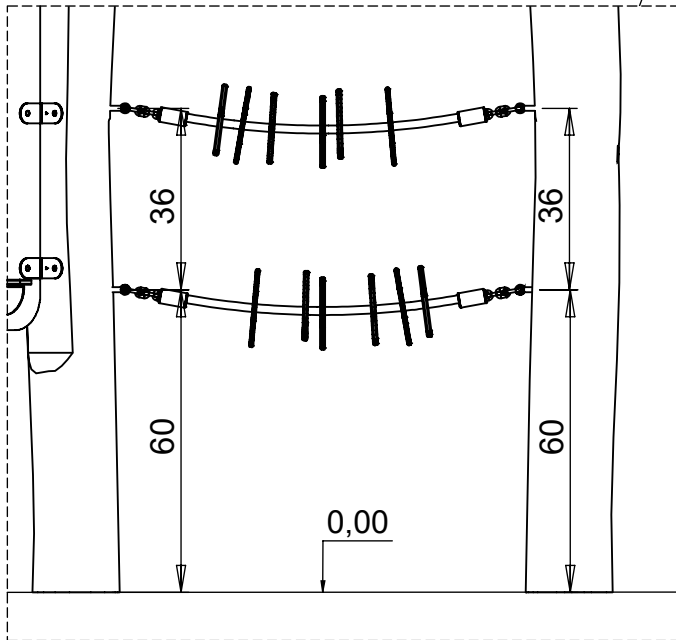
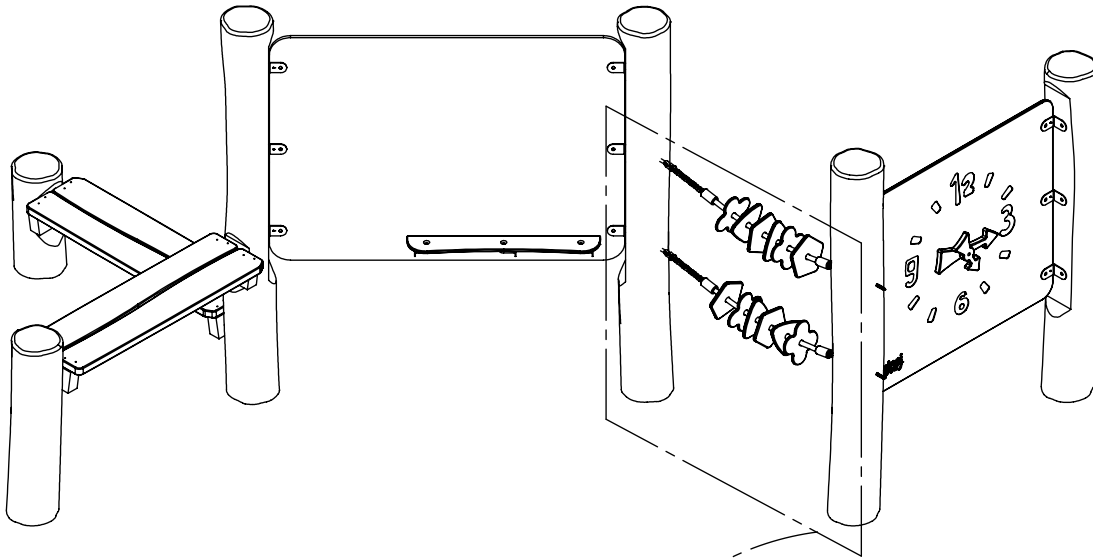
vinci  
play



[cm]

vinci  
play



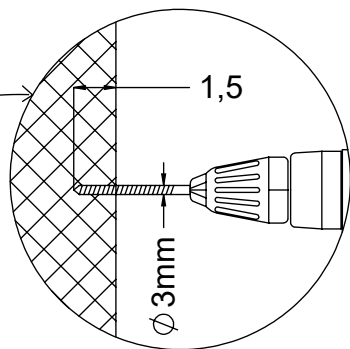
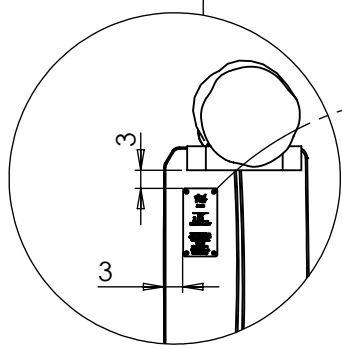
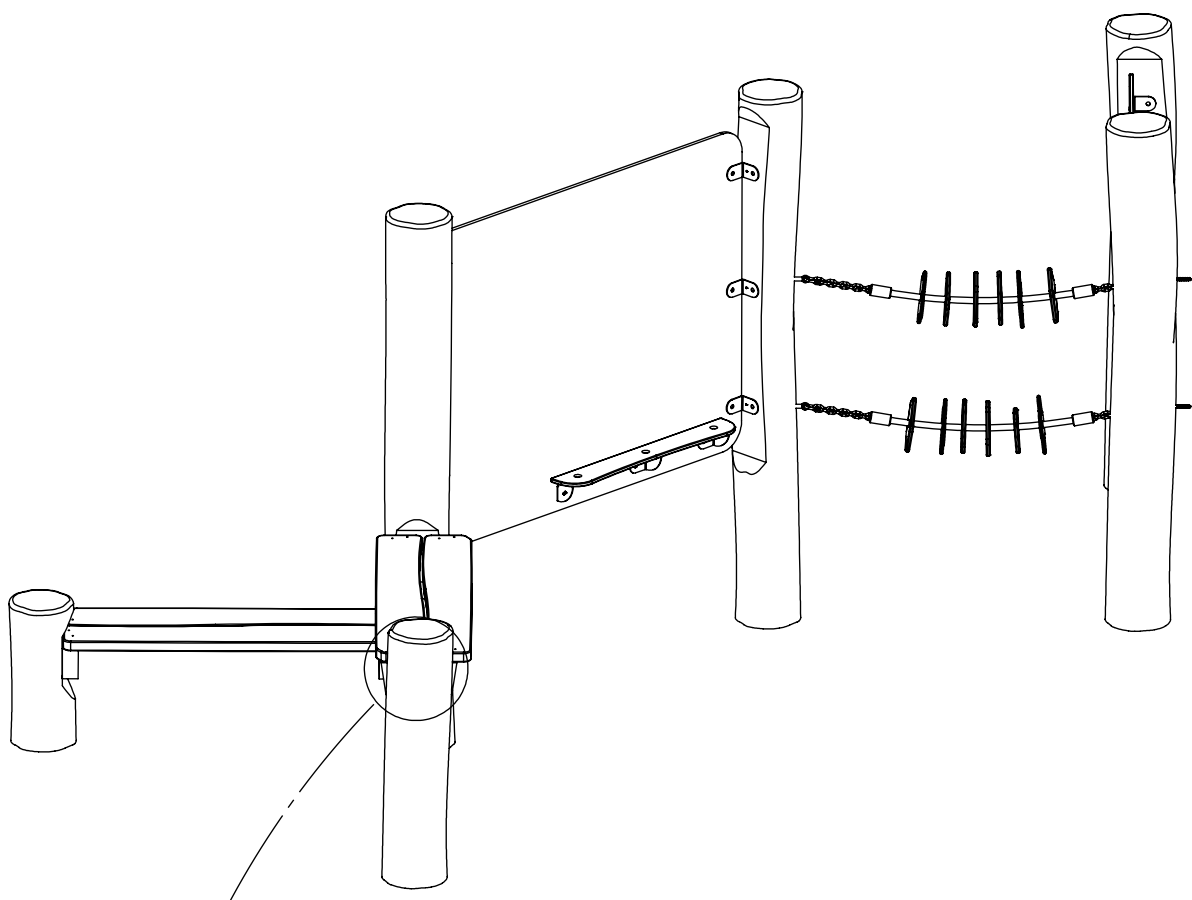


2x 12e007

[cm]

vinci  
play





2,9

vinci play  
Art. N°

Year  
202

EN 1176-1: 2017

Vinci Group Sp. A.S. s.p.a.  
Piazza, 14, 00186 Roma (R)  
06-49918444  
P.O. BOX 20  
+39-06-20026480  
www.vinci-play.com  
www.belpian.it

6,3

V001

Part No:  
000000-  
00000

000000-00000

000000-00000

[cm]

vinci play