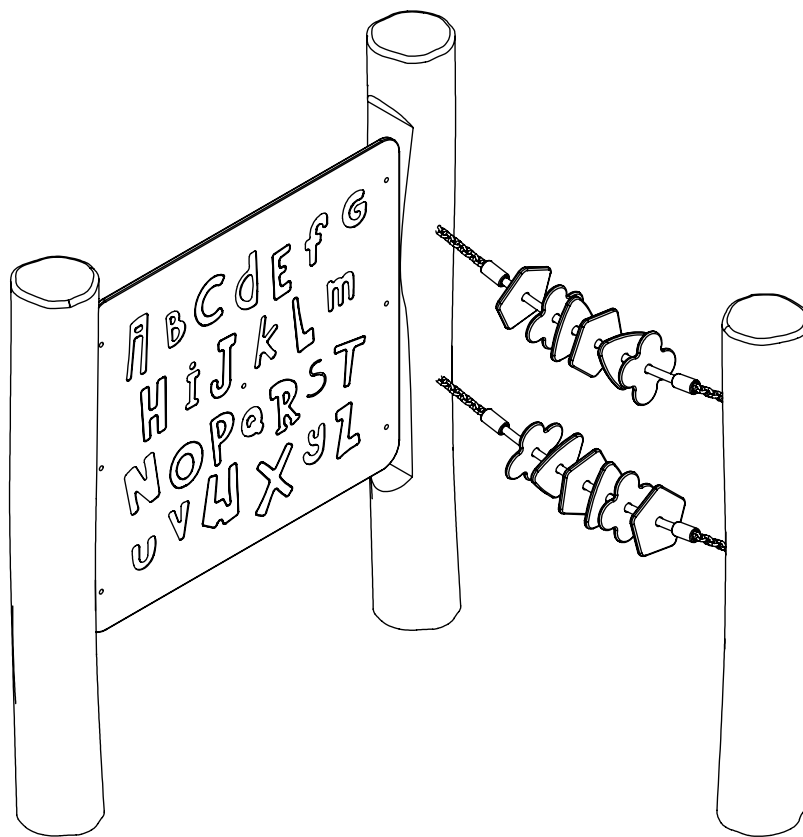
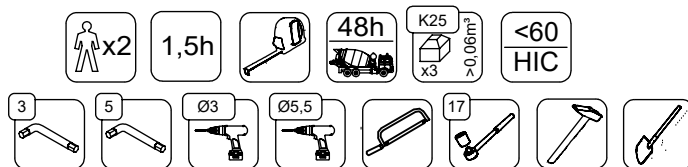


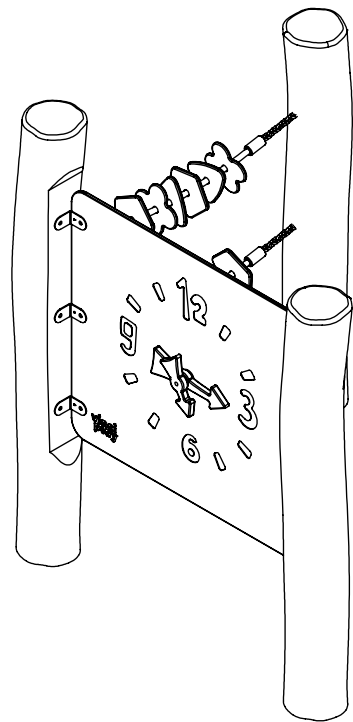
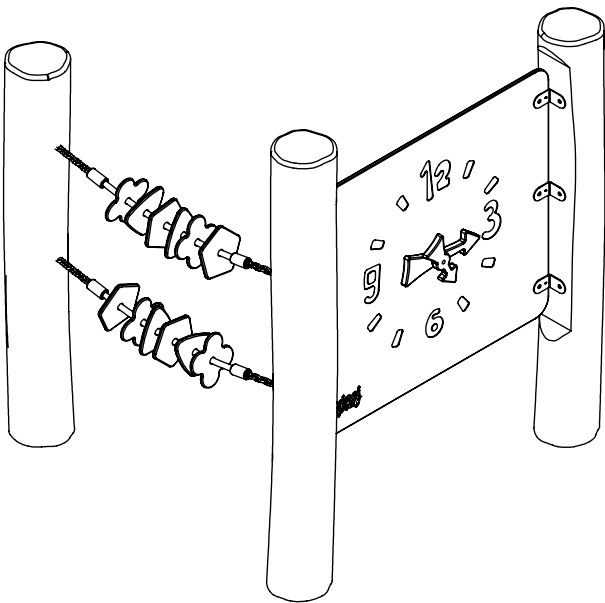
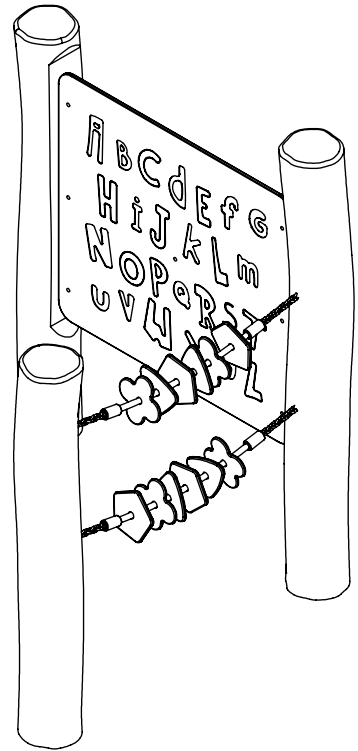
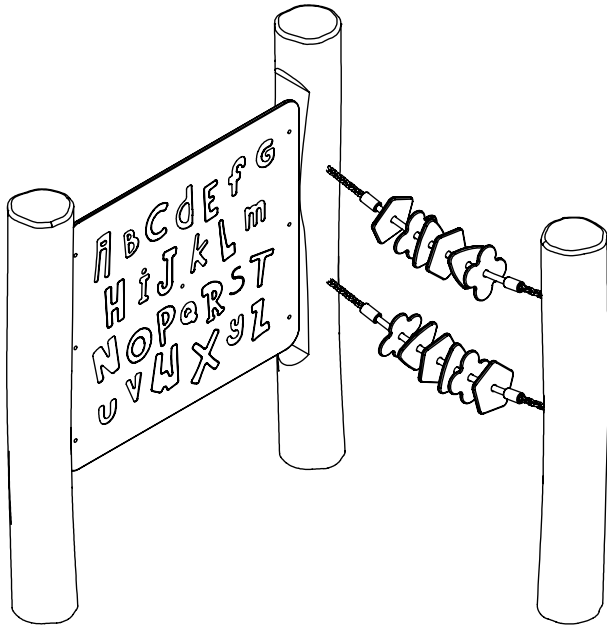
RB1343

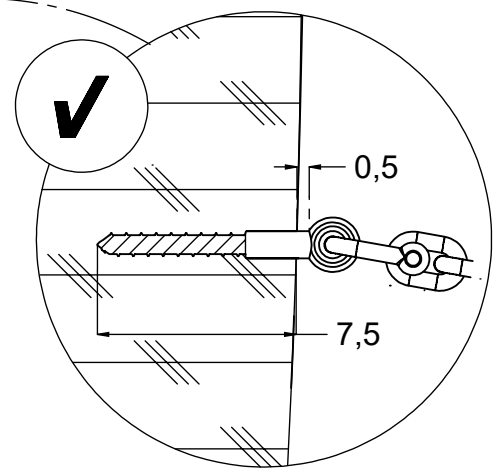
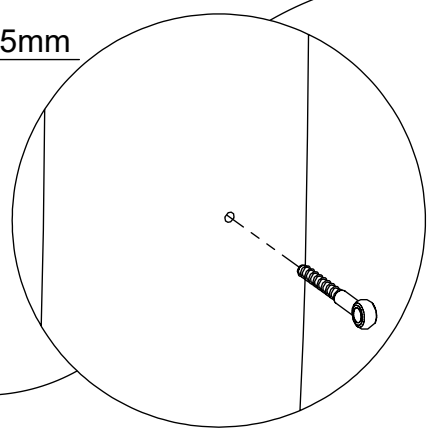
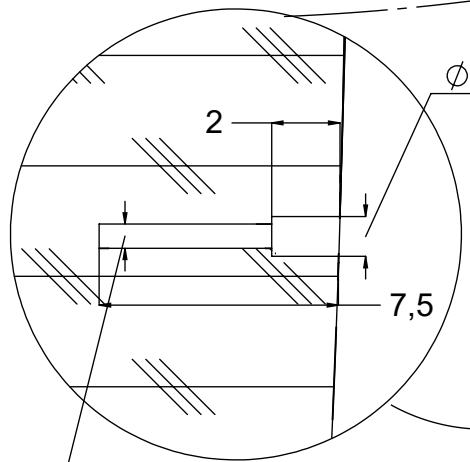
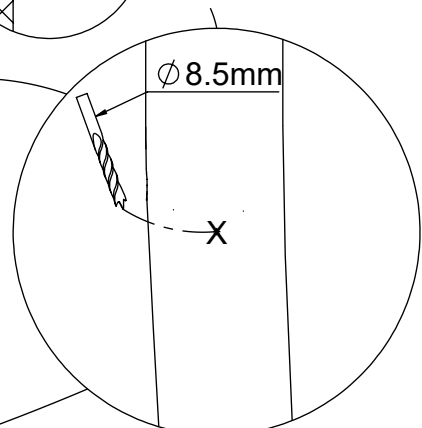
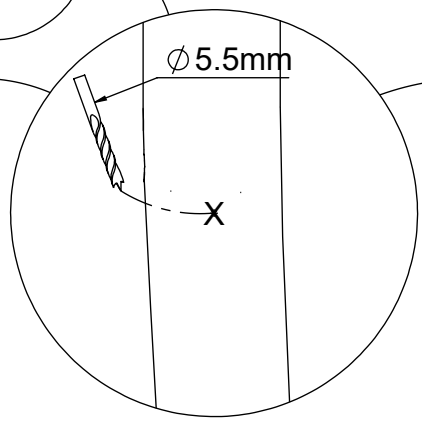
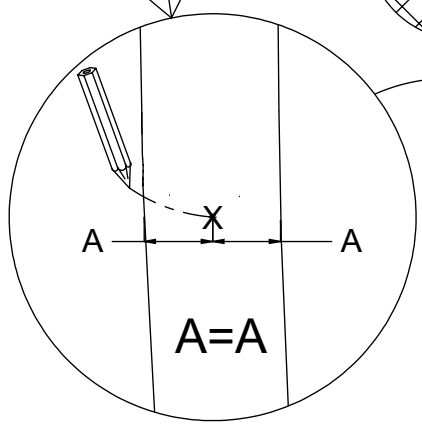
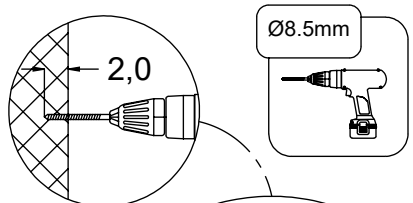
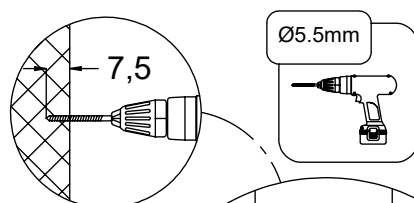
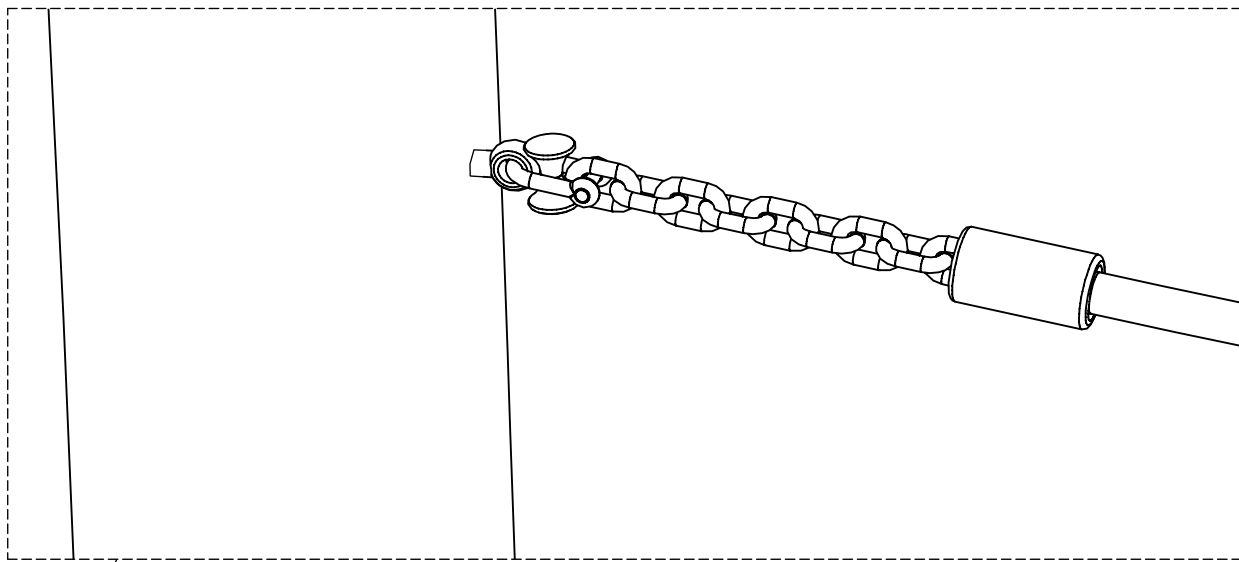


v010
27.02.2021
A. P.
[cm]



vinci
play





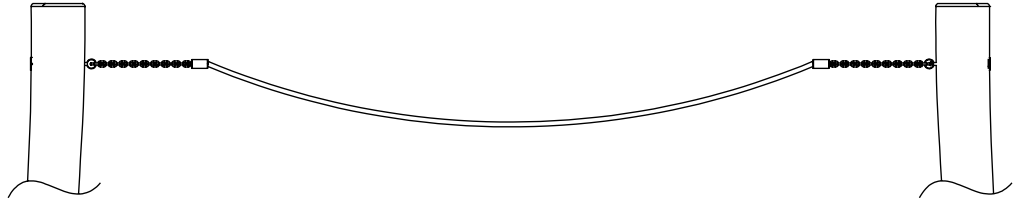
[cm]

vinci play

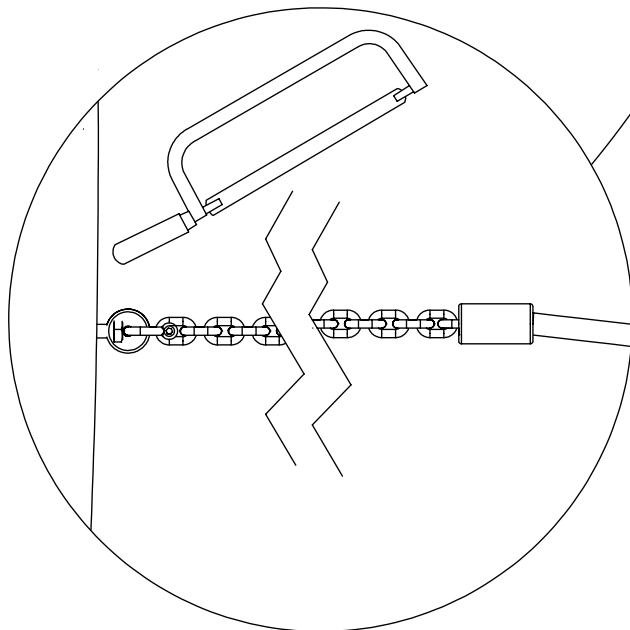
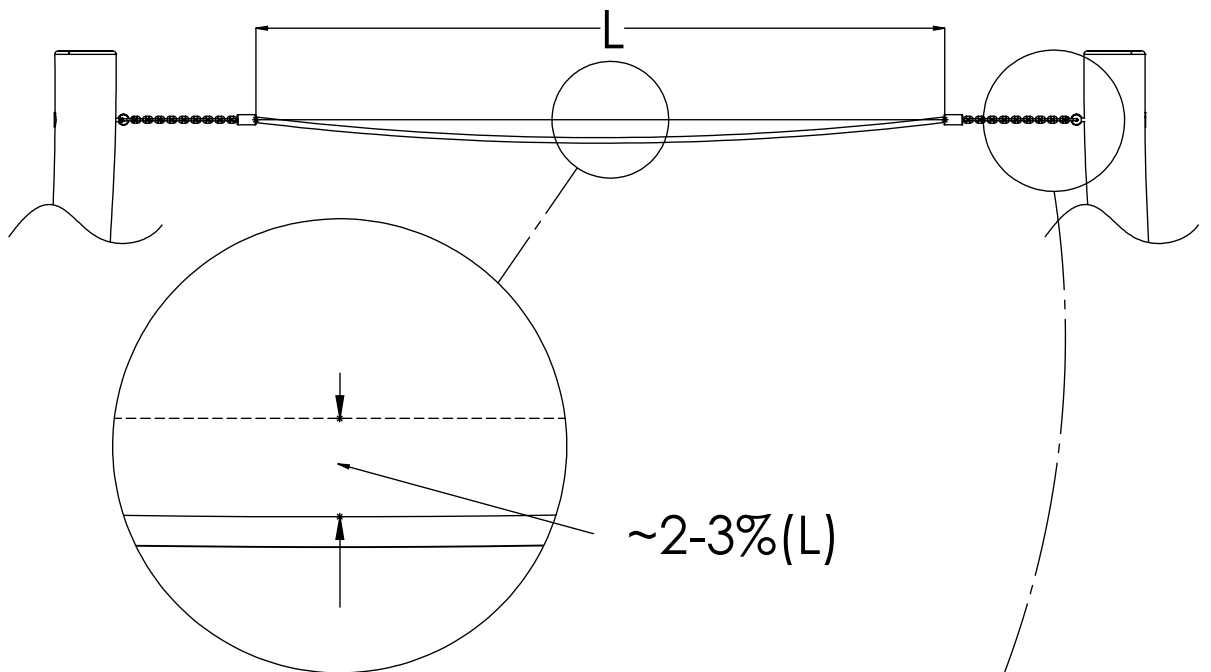
X

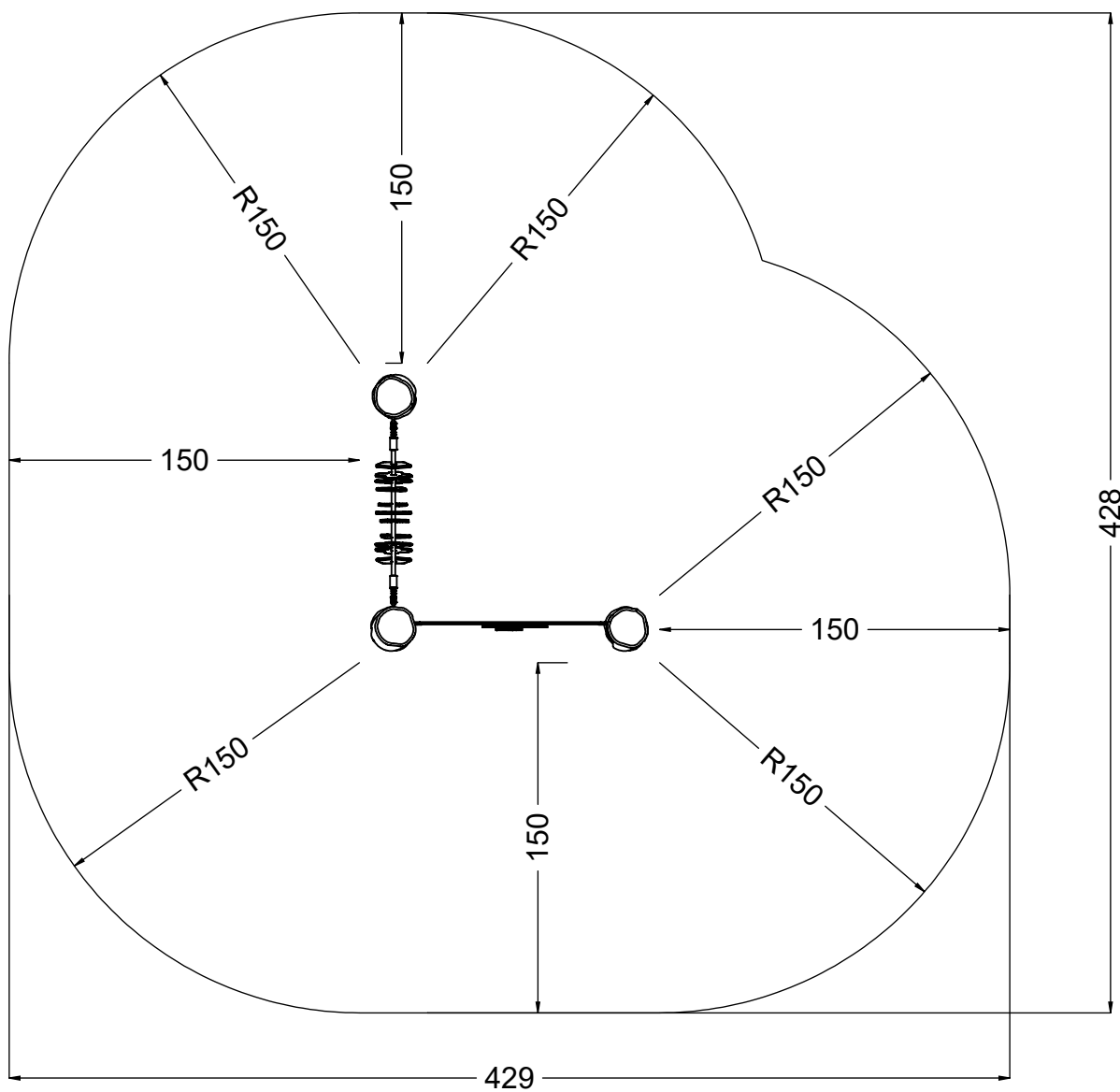
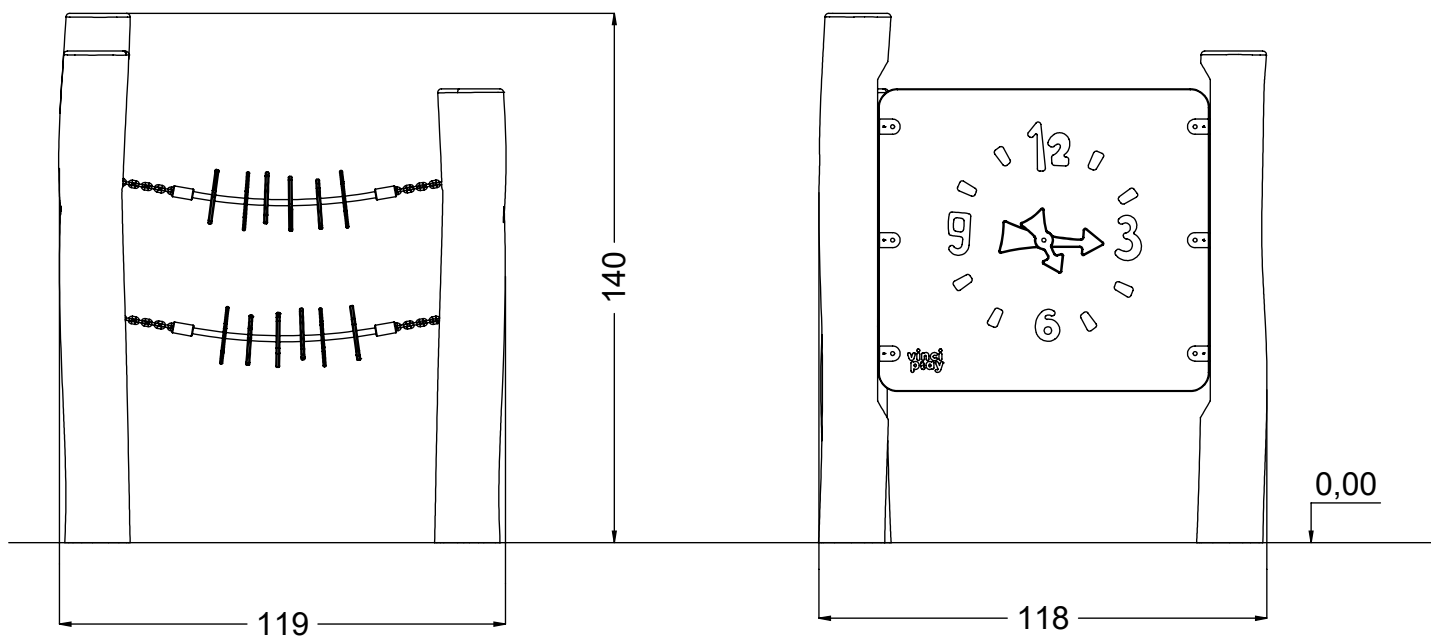


X



V

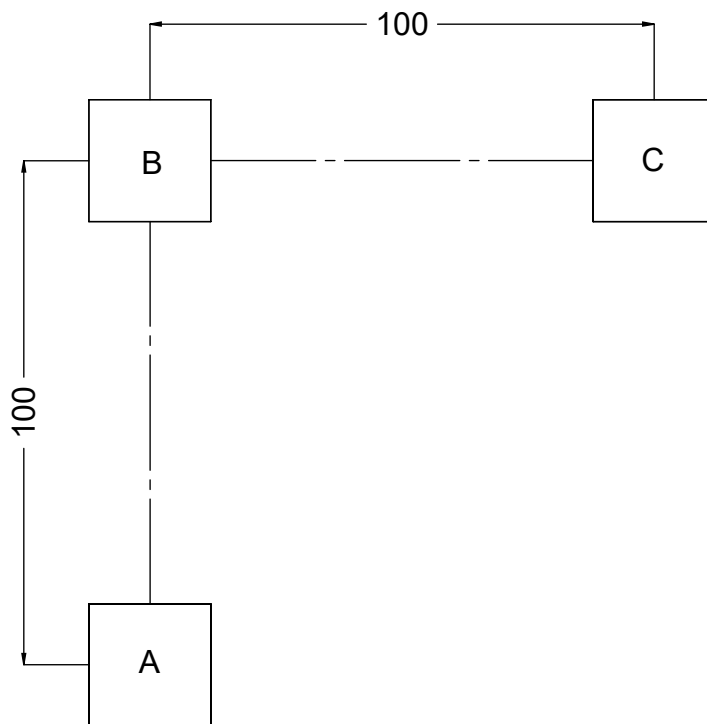
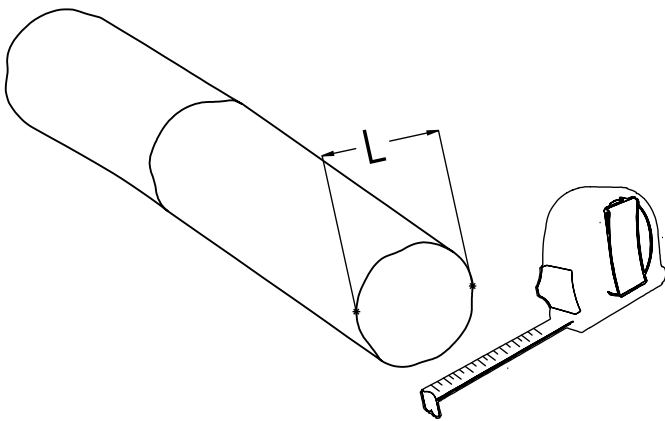
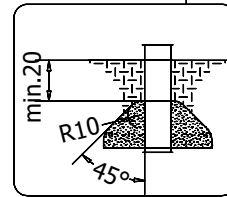
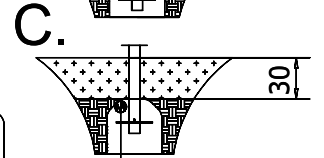
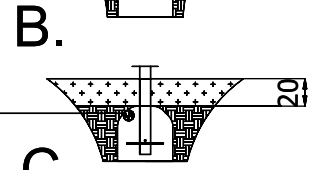
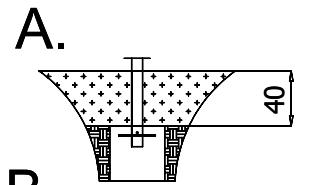
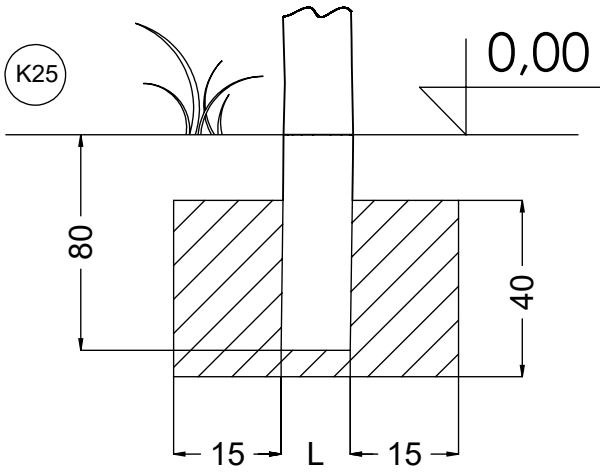




[cm]



vinci
play



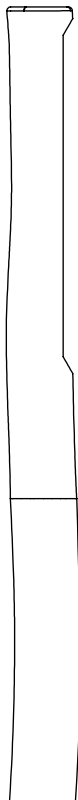
[cm]



1,5h



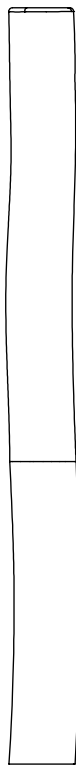
vinci
play



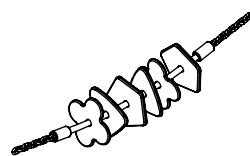
127372 (A)
x1



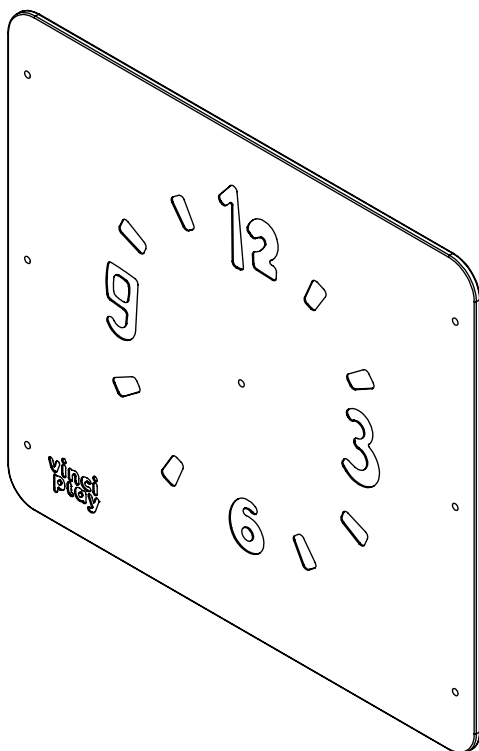
127373 (B)
x1



127374 (C)
x1



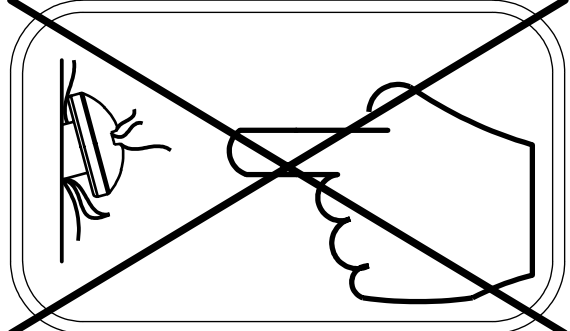
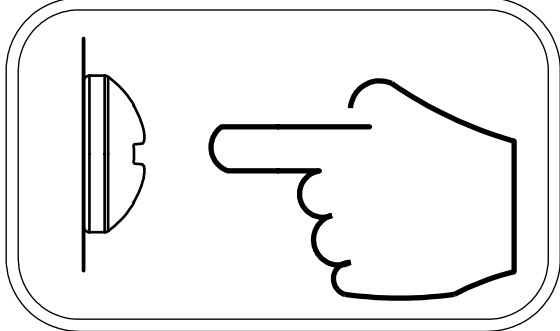
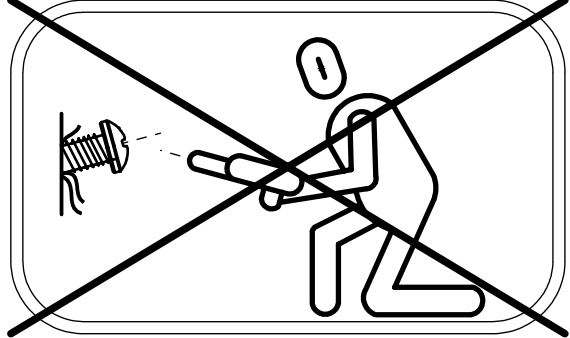
124112
x2

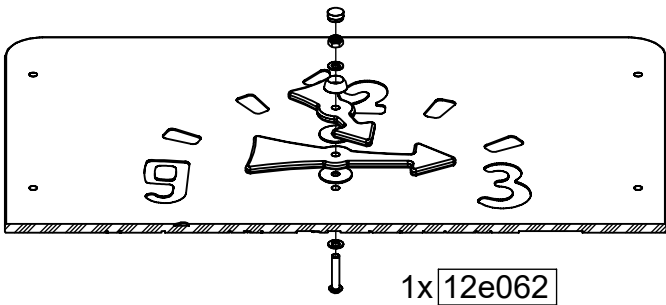


121126
x1

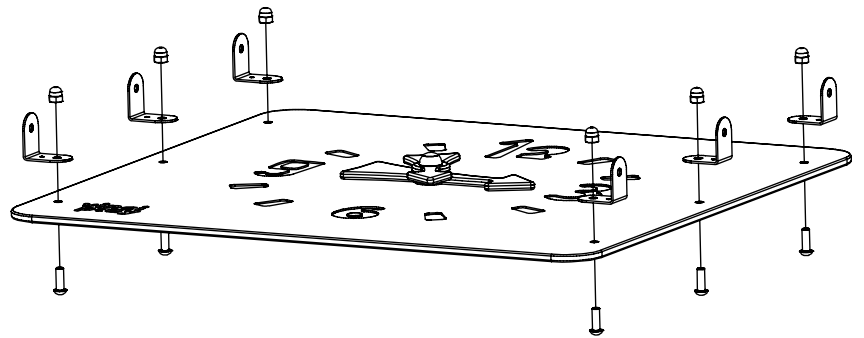
| | |
|----|---------|
| 6x | 8x50sxi |
| | |

| | |
|----|--------|
| 2x | 12e007 |
| 1x | 12e060 |
| 1x | 12e062 |
| 1x | V001 |

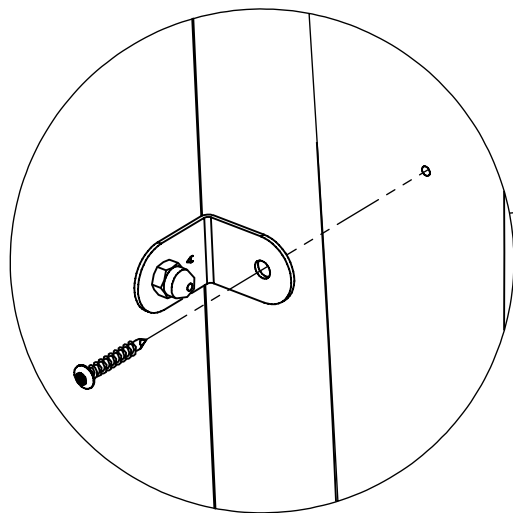
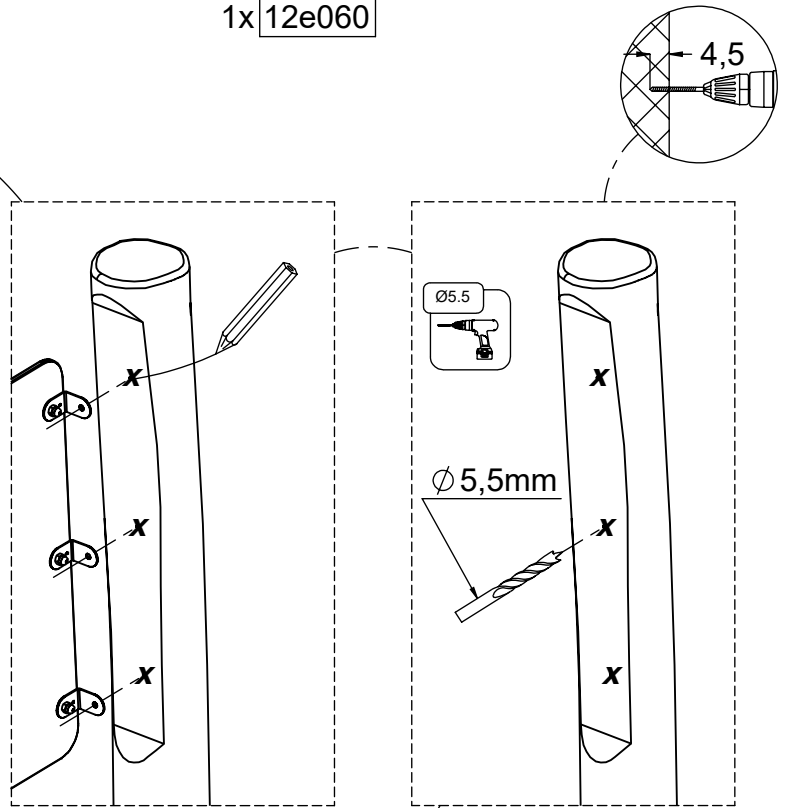
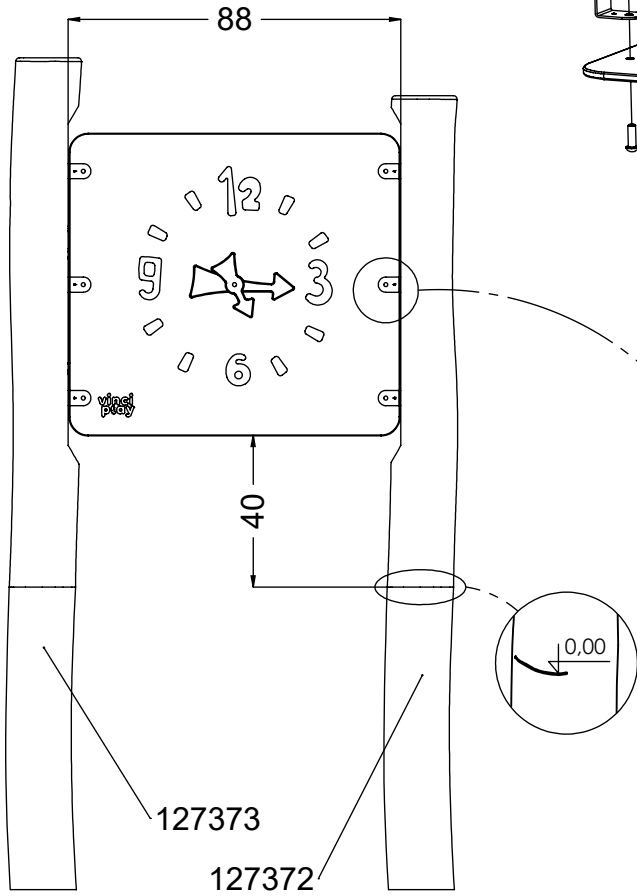




1x 12e062



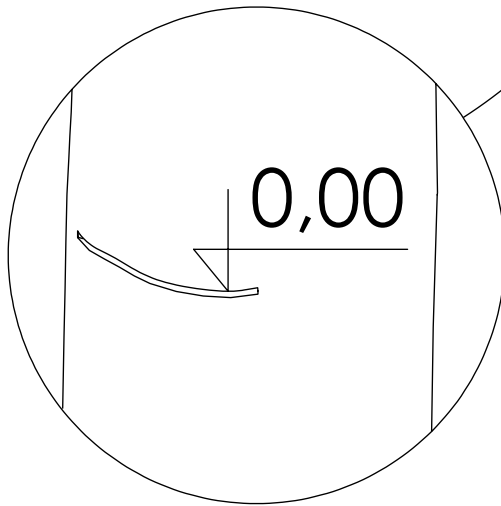
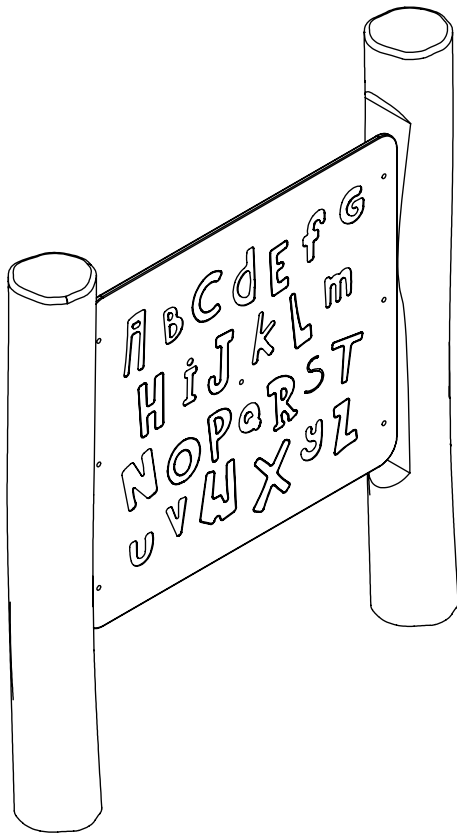
1x 12e060

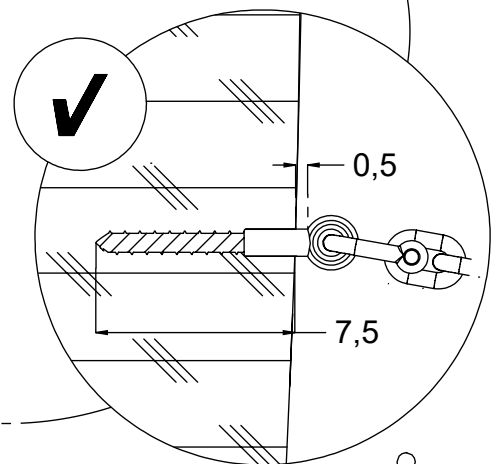
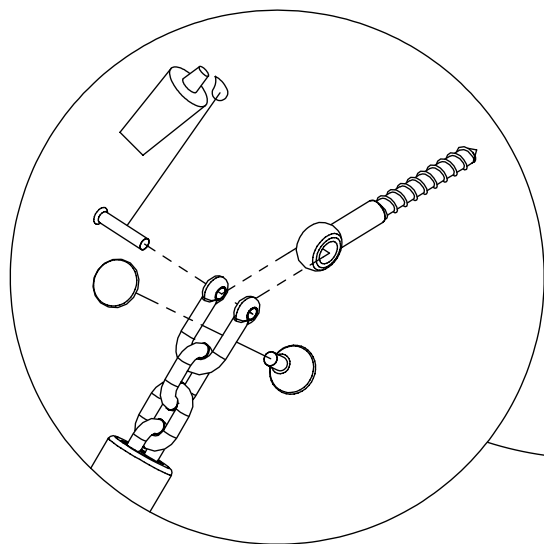
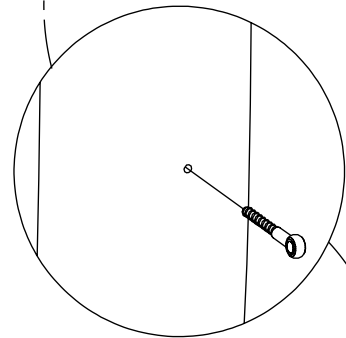
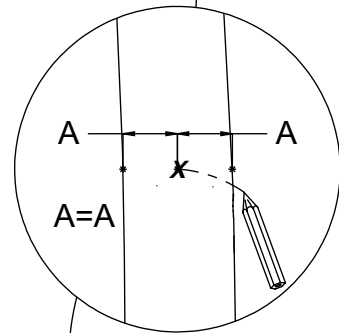
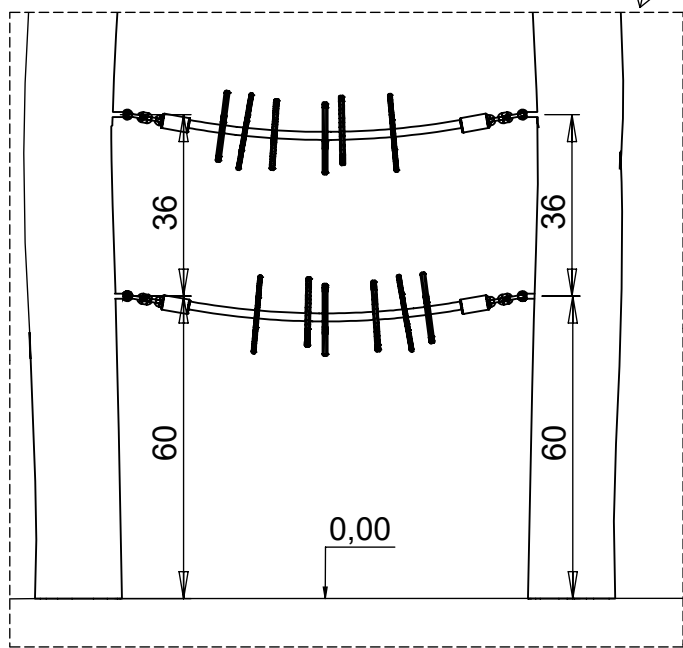
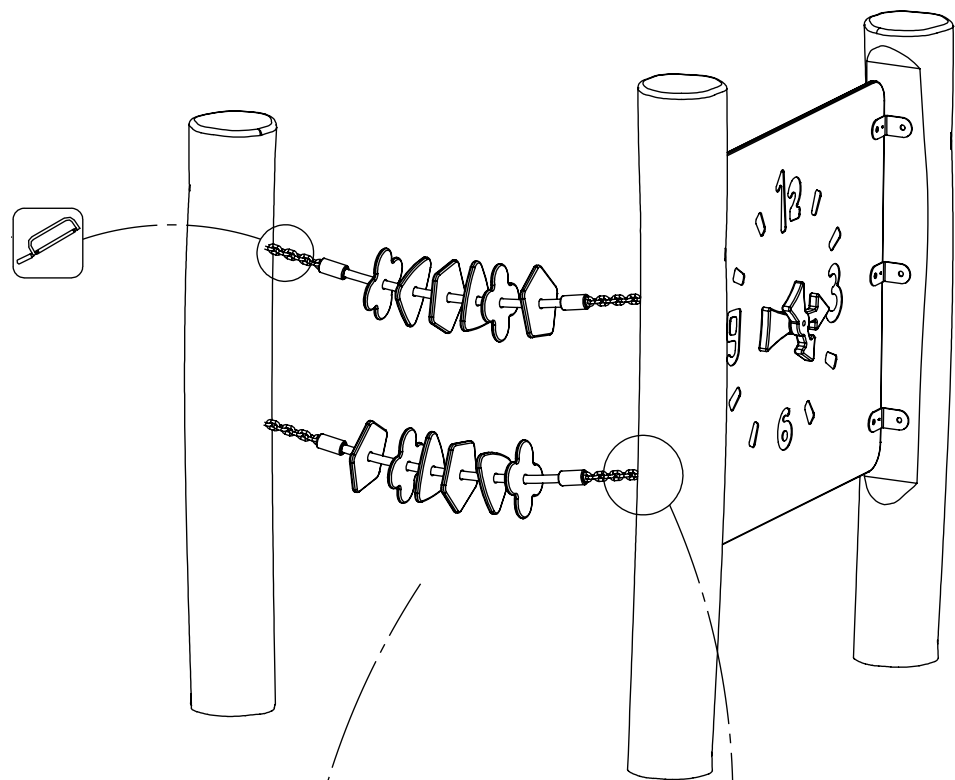


6x 8x50sxi

[cm]

vinci play

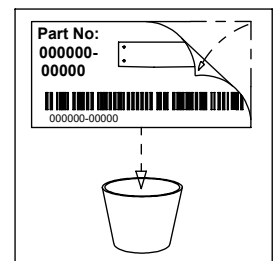
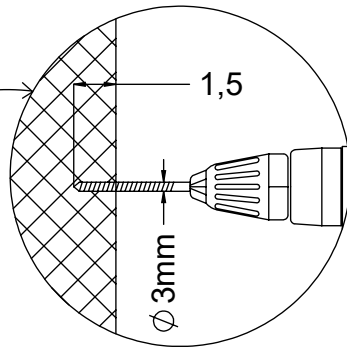
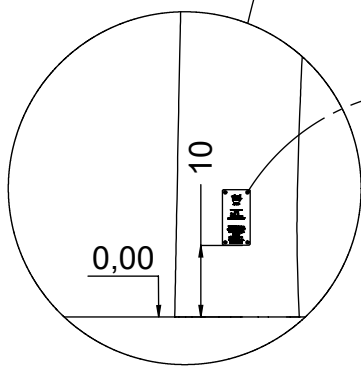
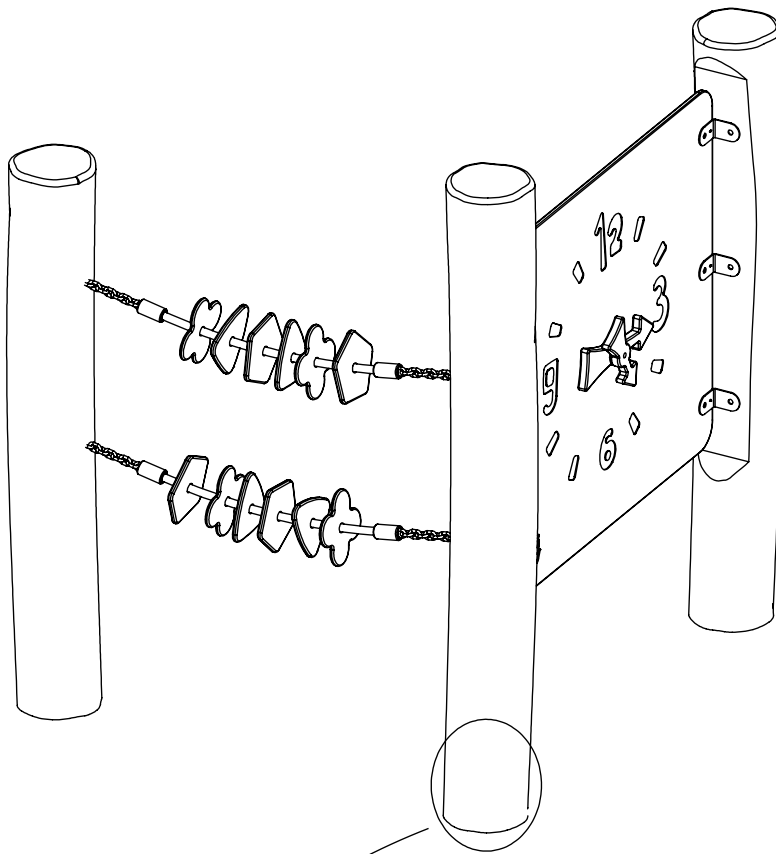




2x 12e007

[cm]

vinci
play



[cm]

vinci
play