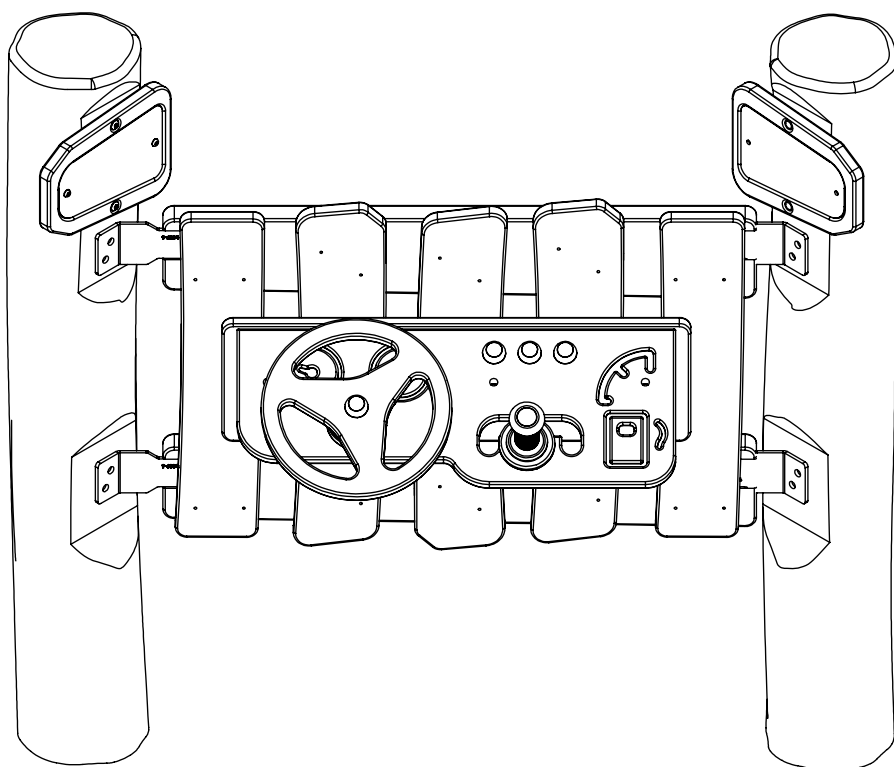
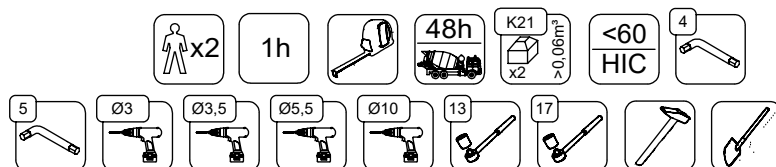


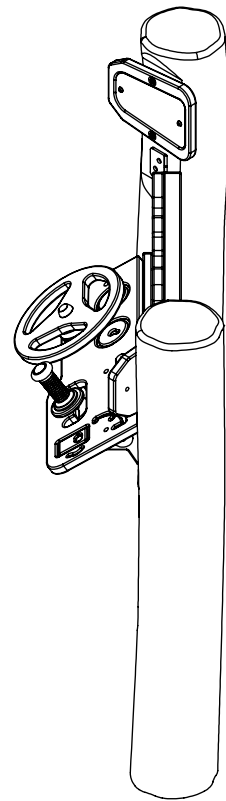
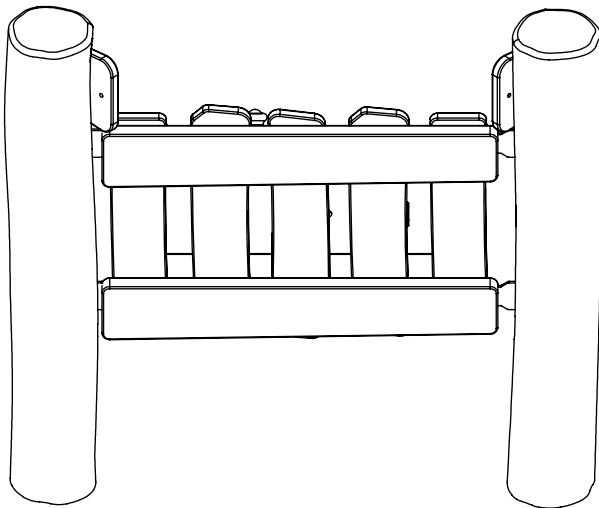
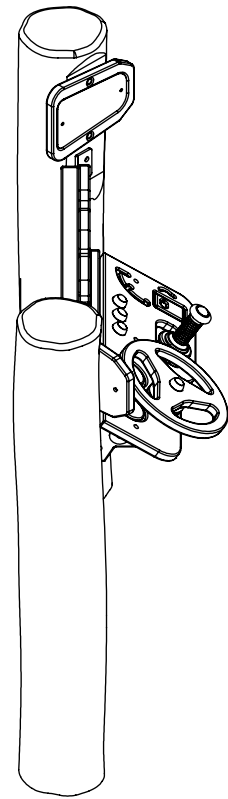
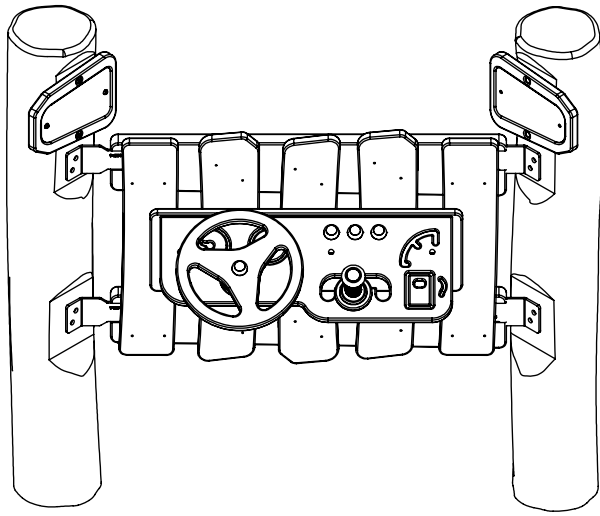
RB1340



v010
20.01.2021
A. P.
[cm]

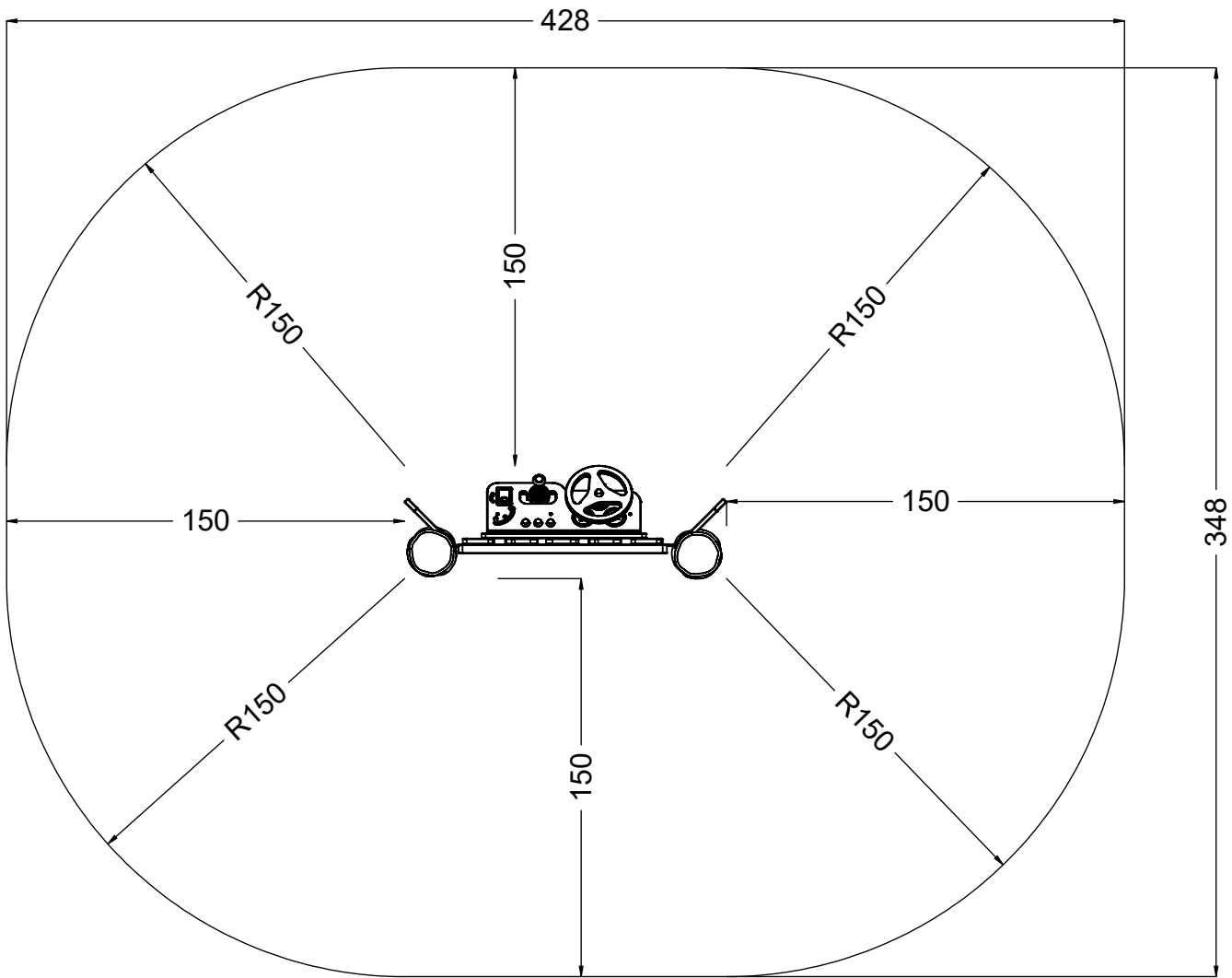
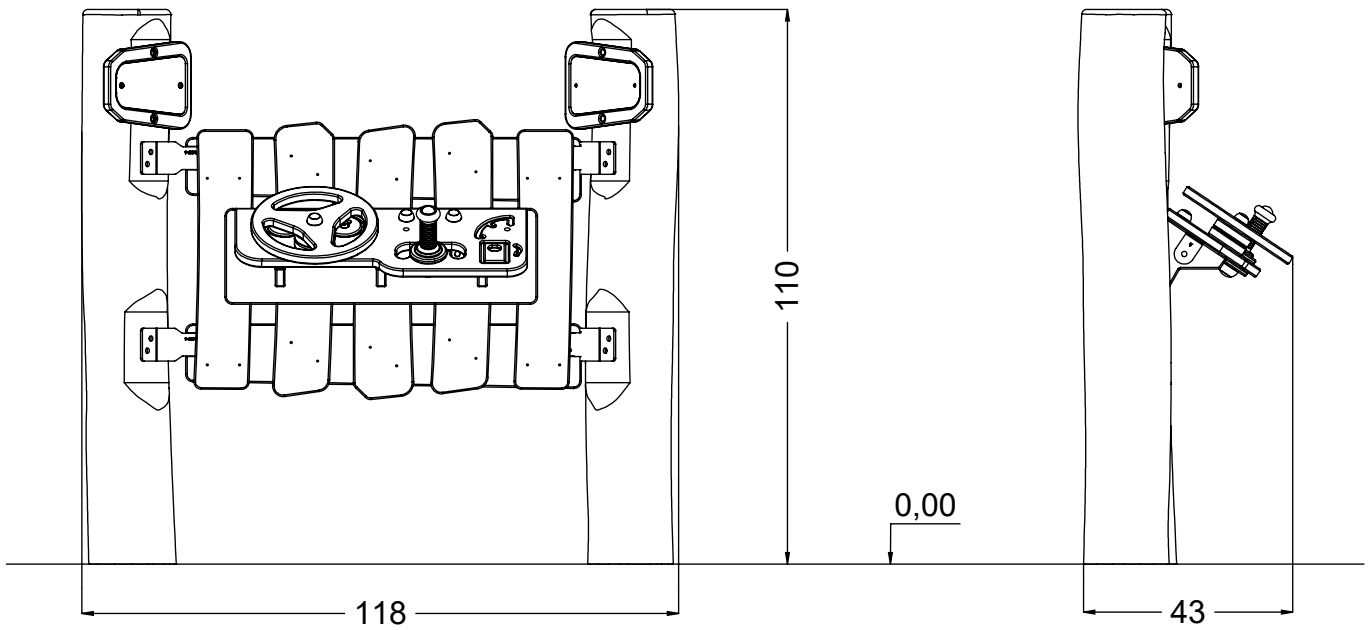


vinci
play



[cm]

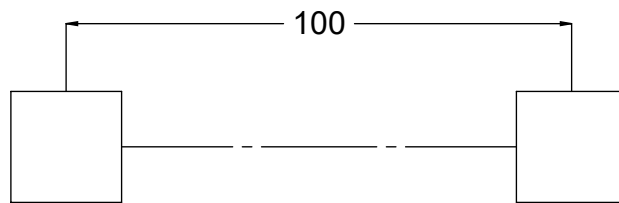
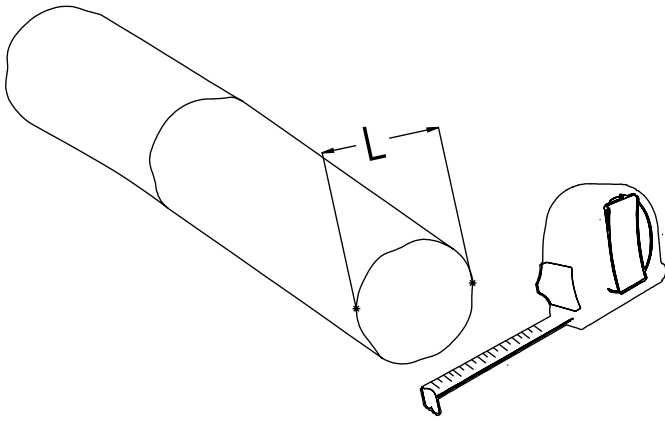
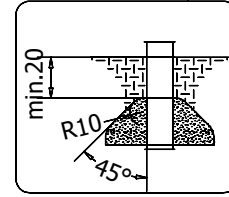
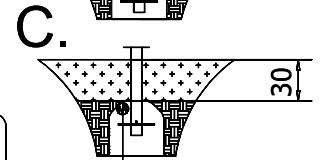
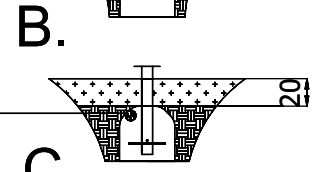
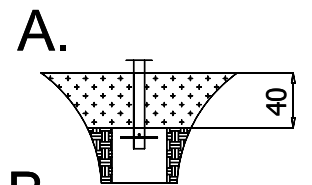
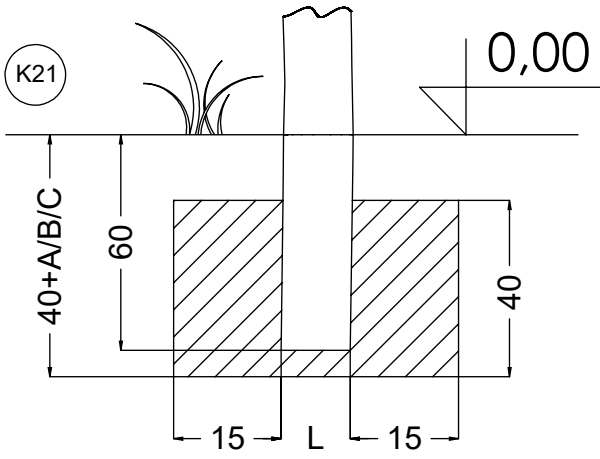
vinci
play



[cm]



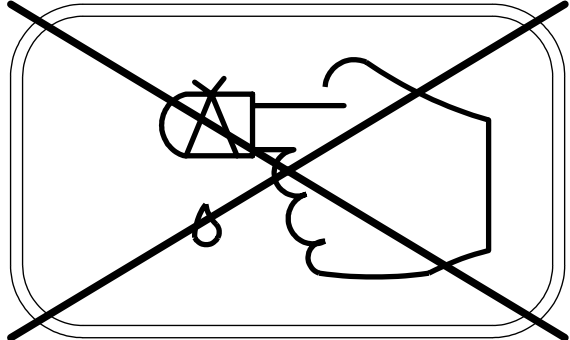
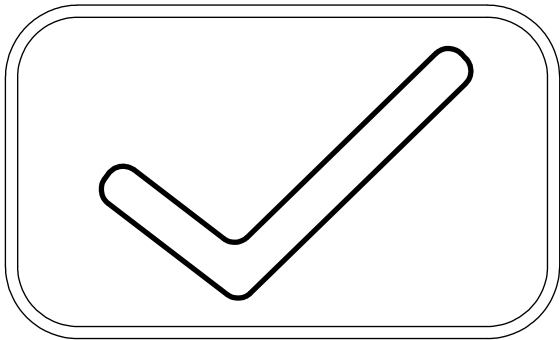
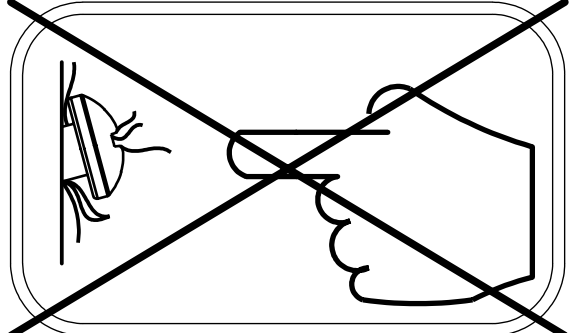
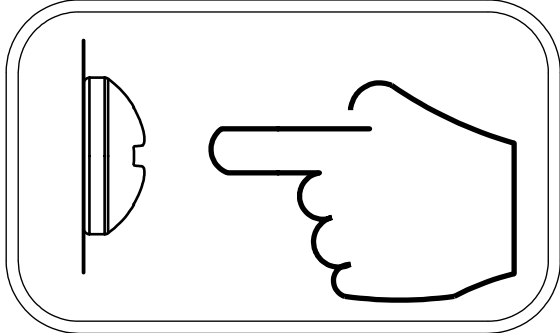
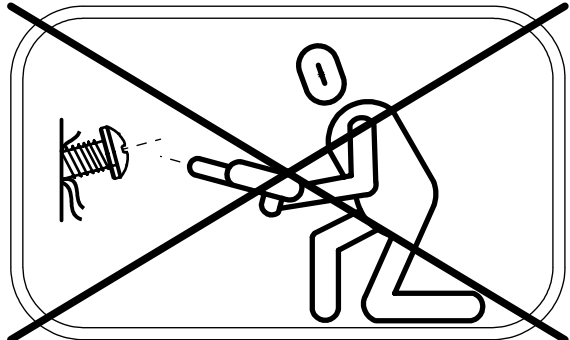
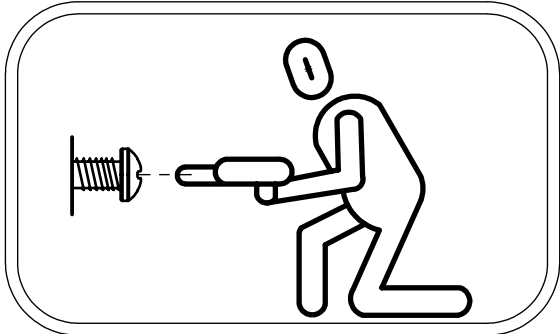
vinci
play



[cm]



vinci
play

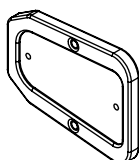




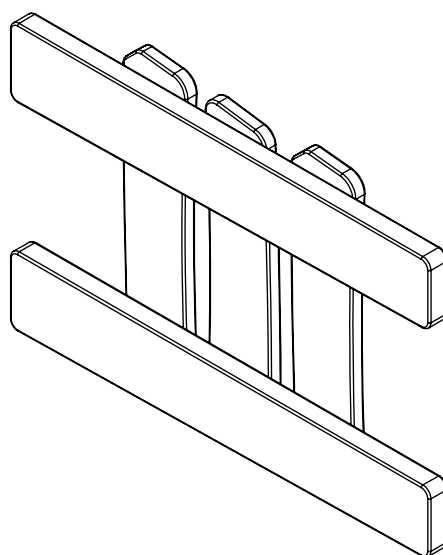
127467
x2



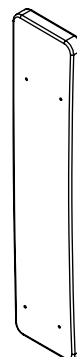
121145
x2



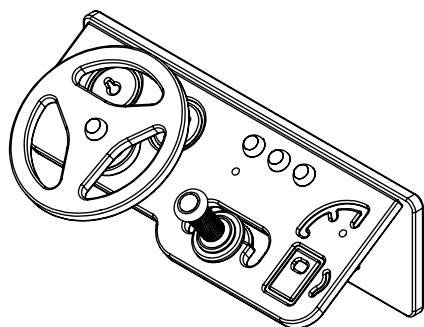
121146
x2



124111
x1



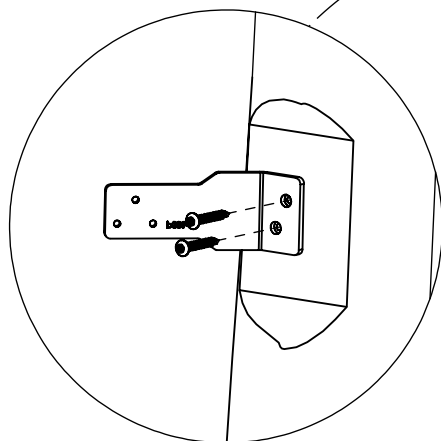
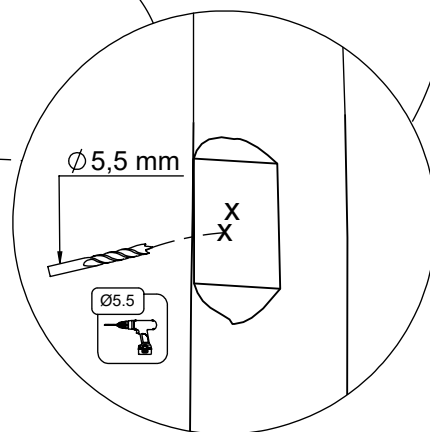
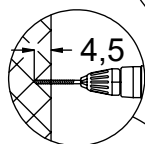
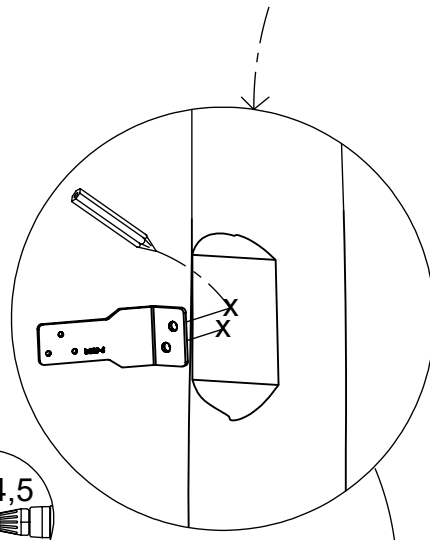
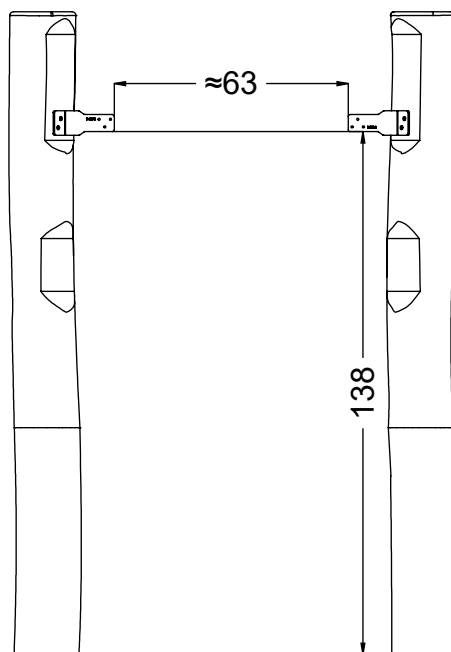
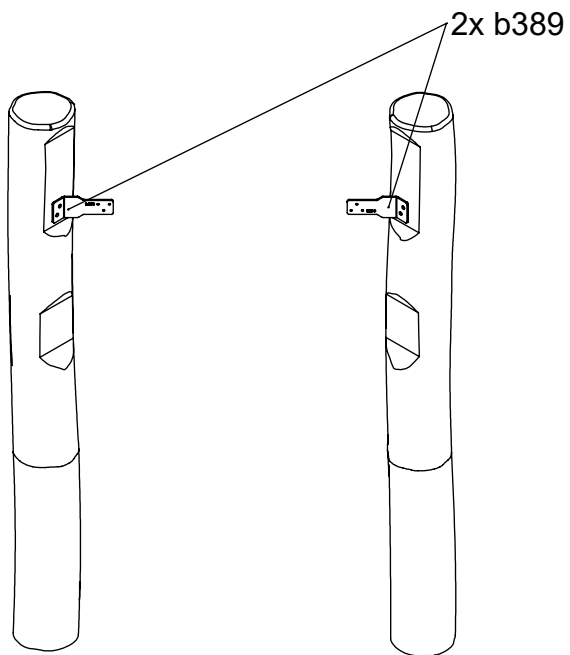
128194
x2



124155
x1

| | |
|-----|---------|
| 8x | 5x50sxs |
| 12x | 5x30sxs |
| 12x | 8x50sxi |

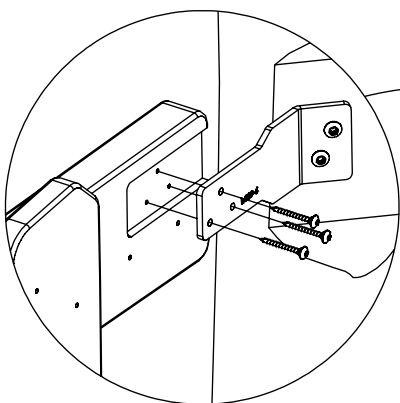
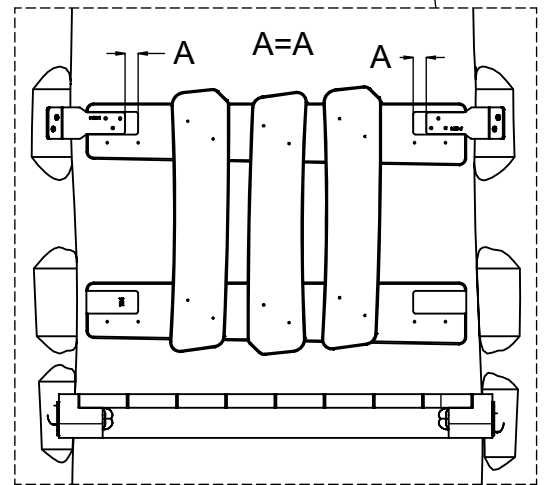
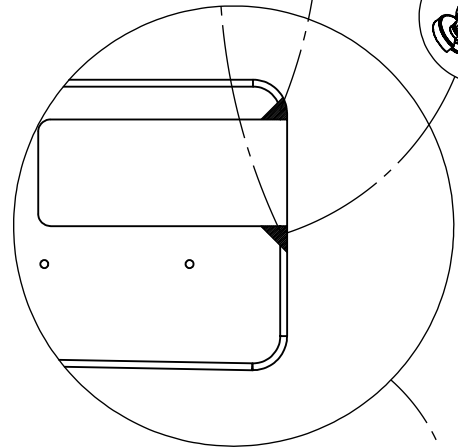
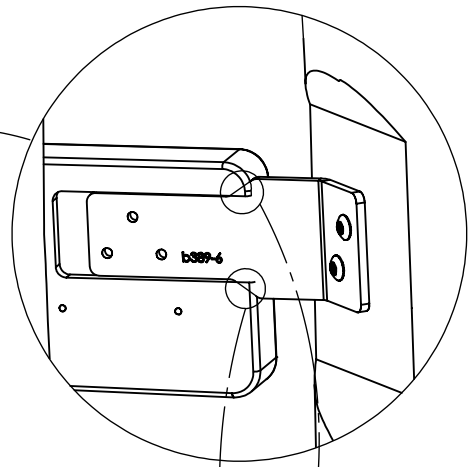
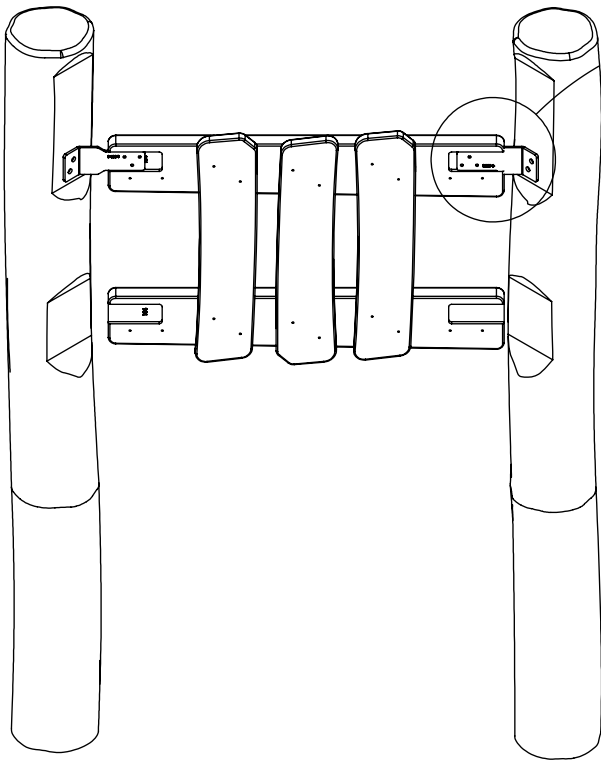
| | |
|----|--------|
| 1x | 12e074 |
| 2x | 12e085 |
| 4x | b389 |
| 1x | V001 |



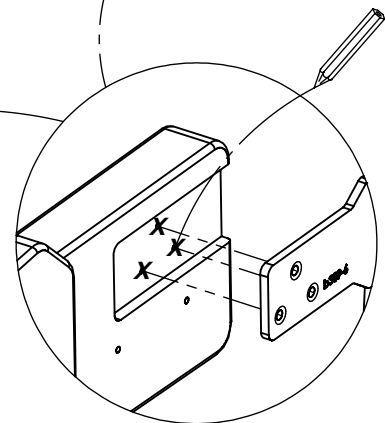
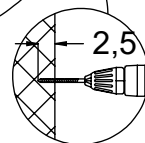
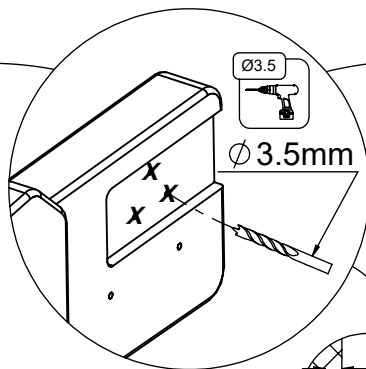
4x 8x50sxi

[cm]

vinci
play

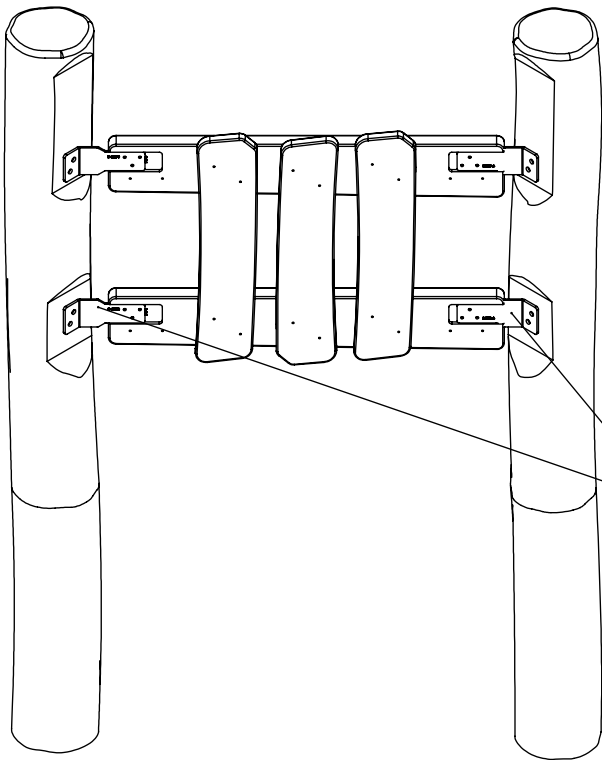


6x 5x30sxs

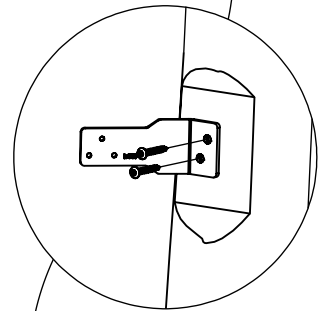
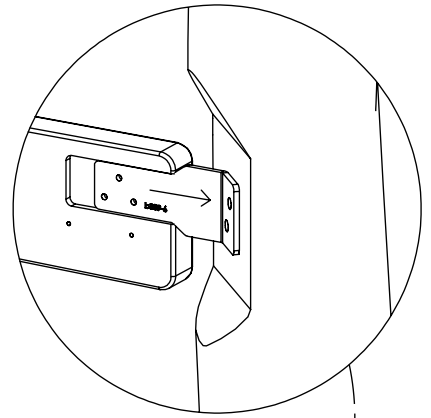


[cm]

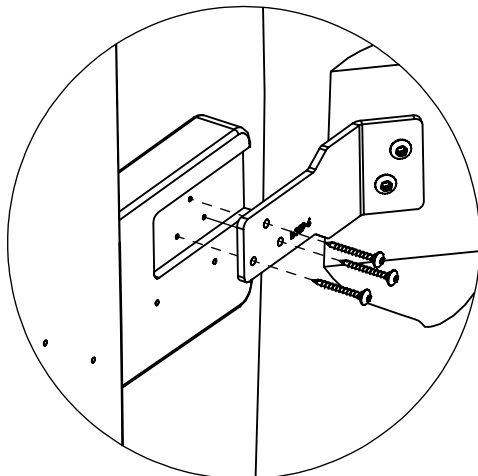
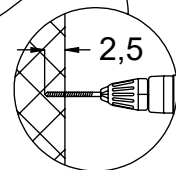
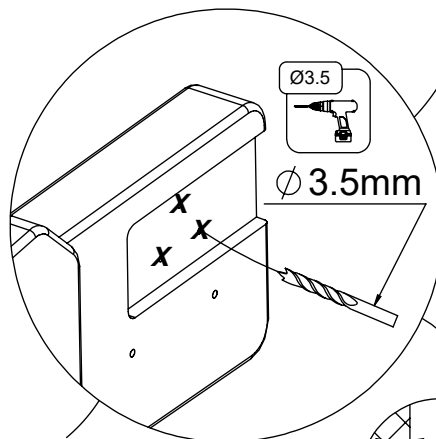
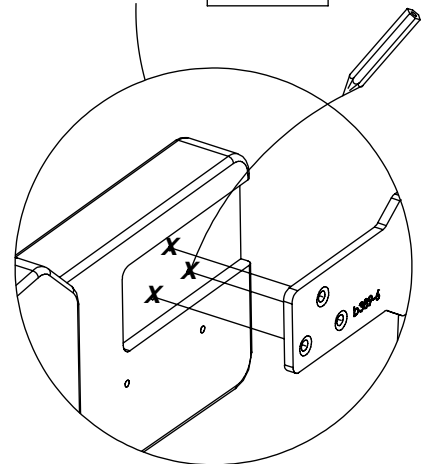
vinci
play



2x b389



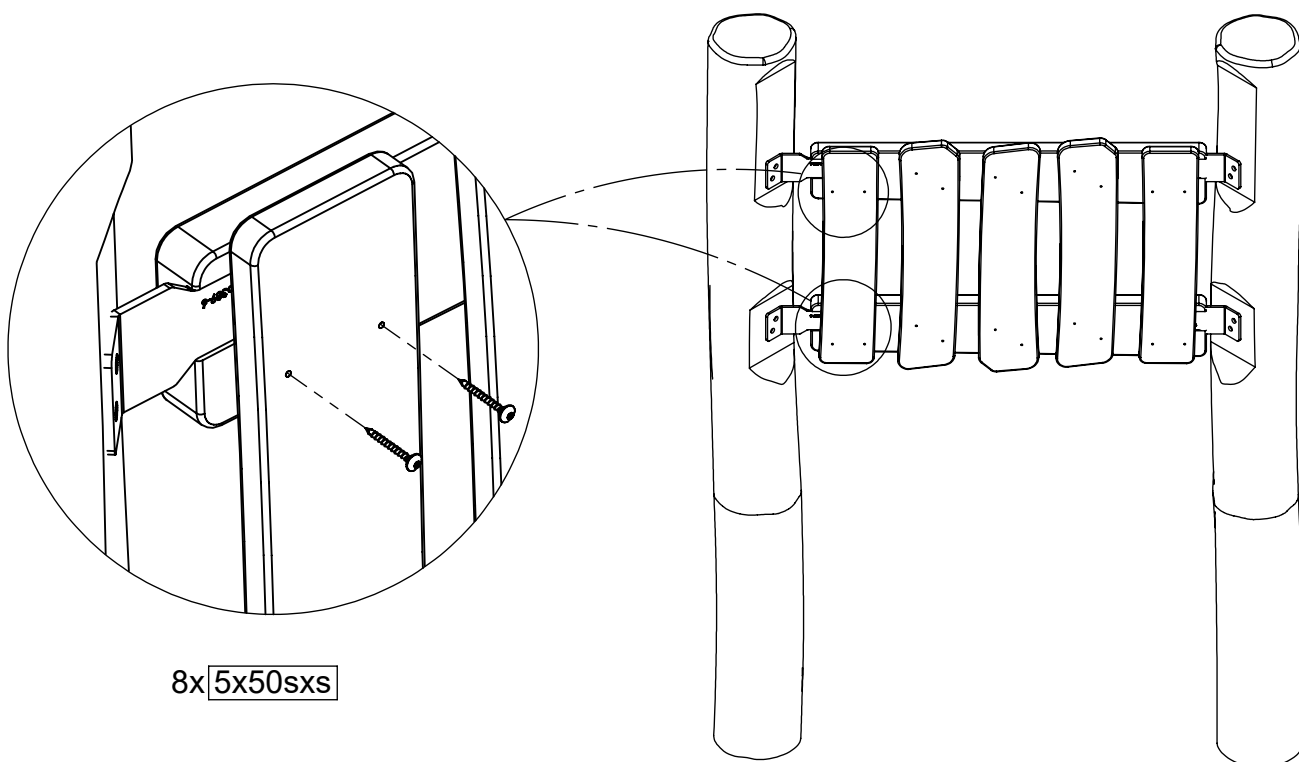
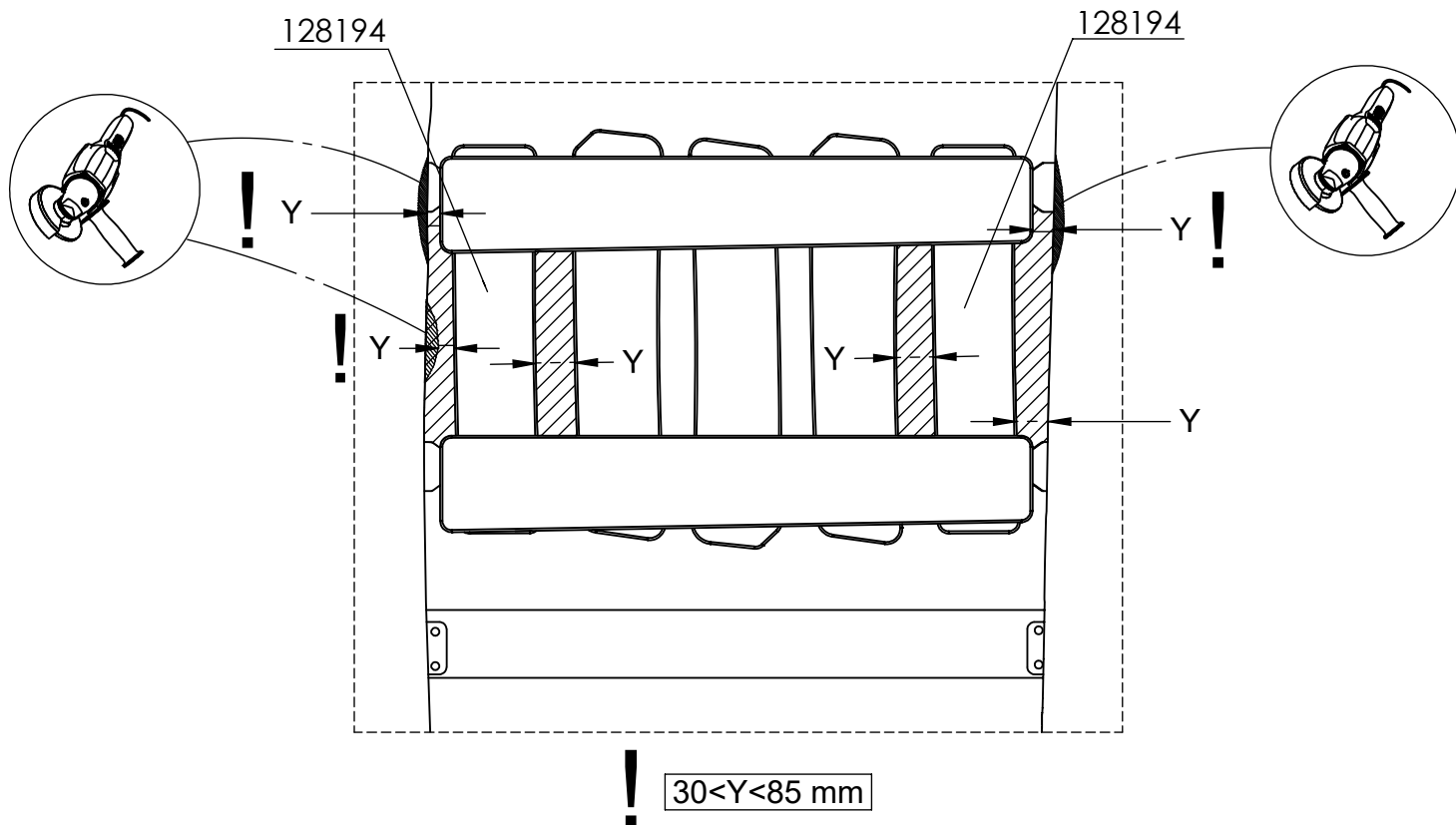
8x 8x50sxi

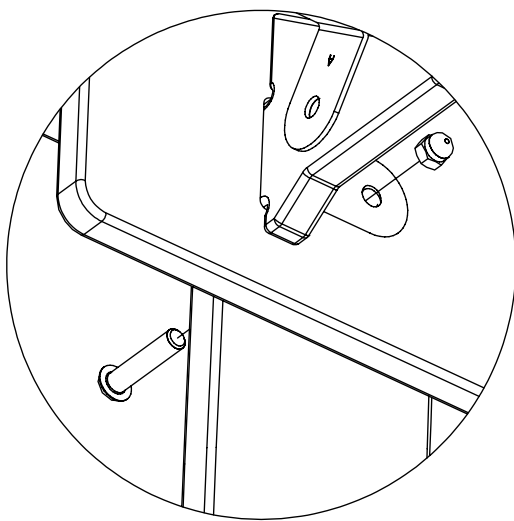
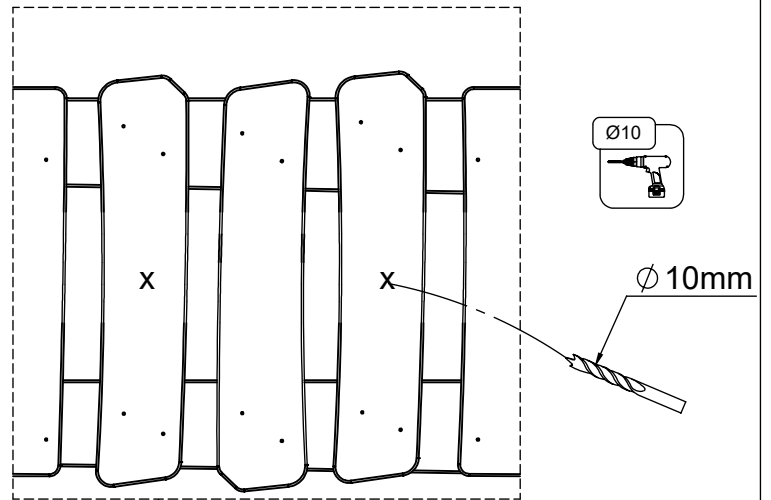
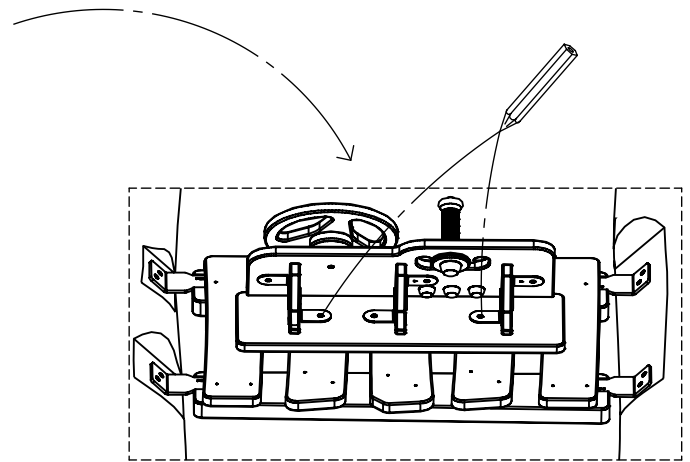
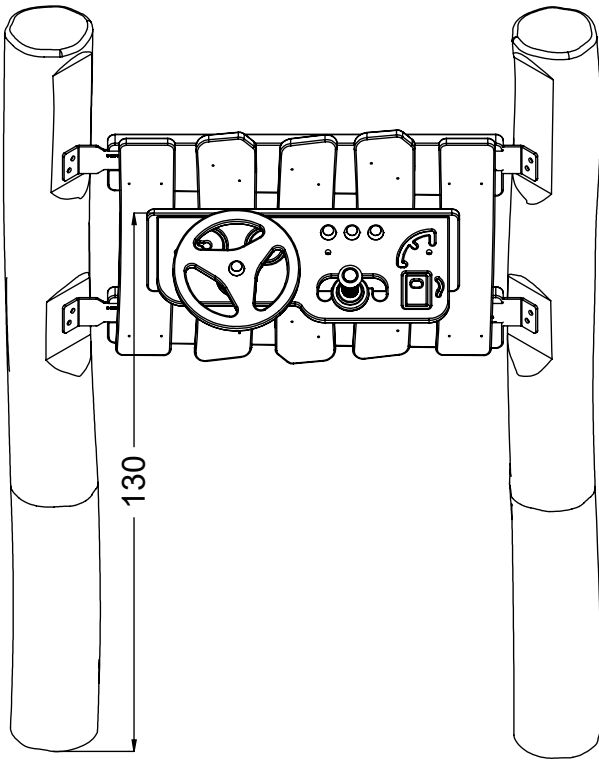


6x 5x30sxs

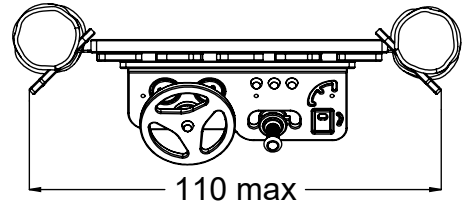
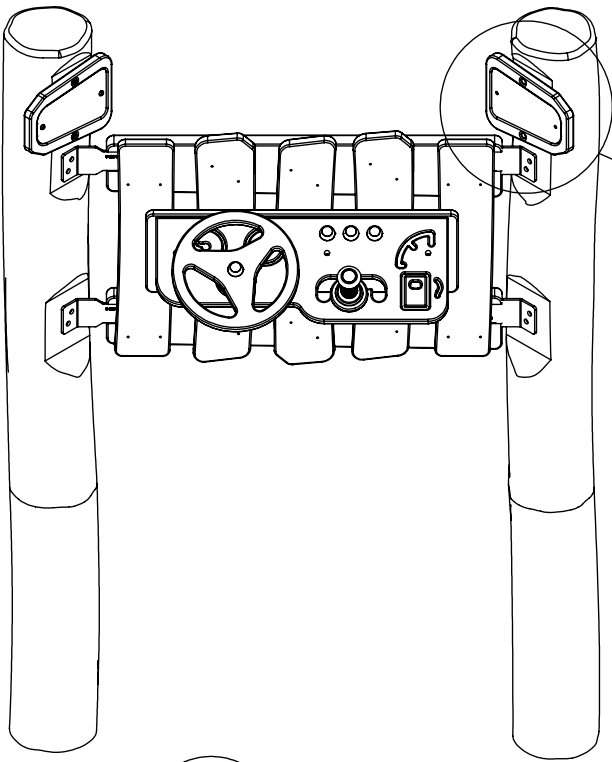
[cm]

vinci
play

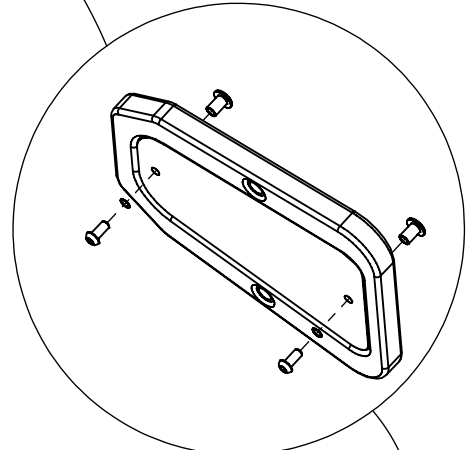




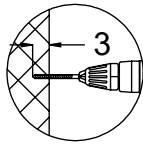
1x 12e074



110 max

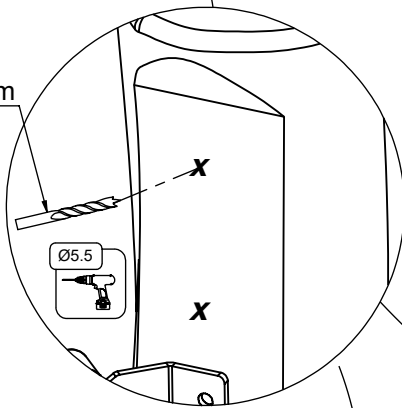


2x 12e085



3

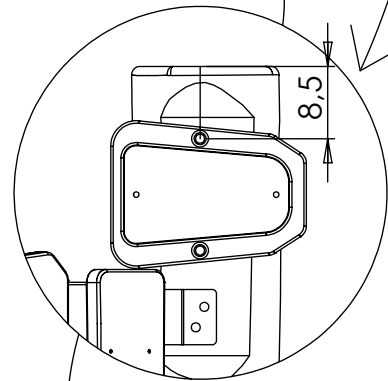
Ø 5,5 mm



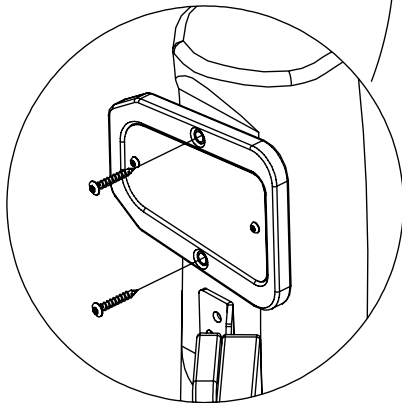
Ø5.5

X

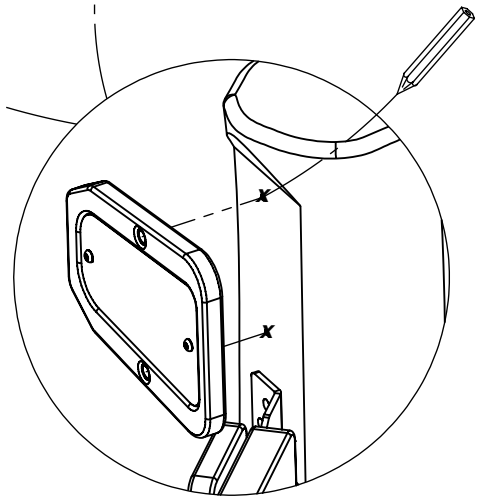
X

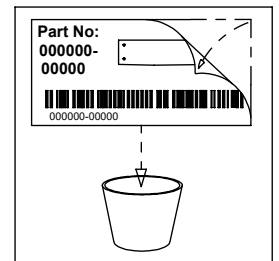
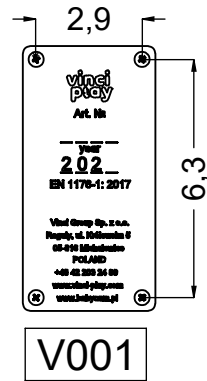
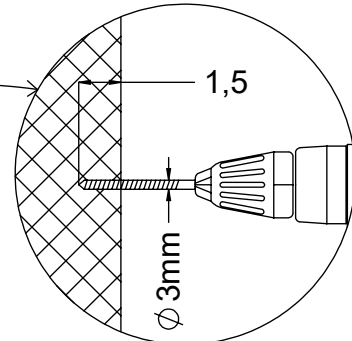
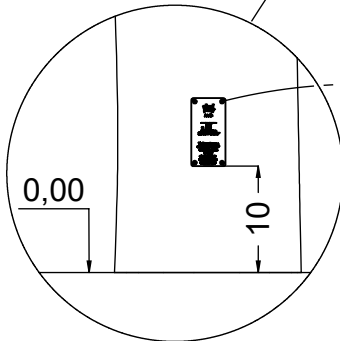
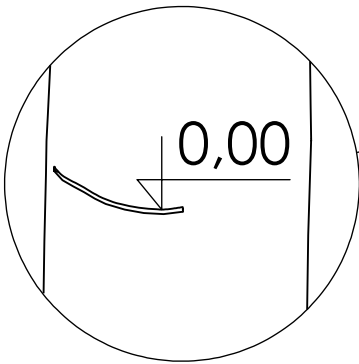
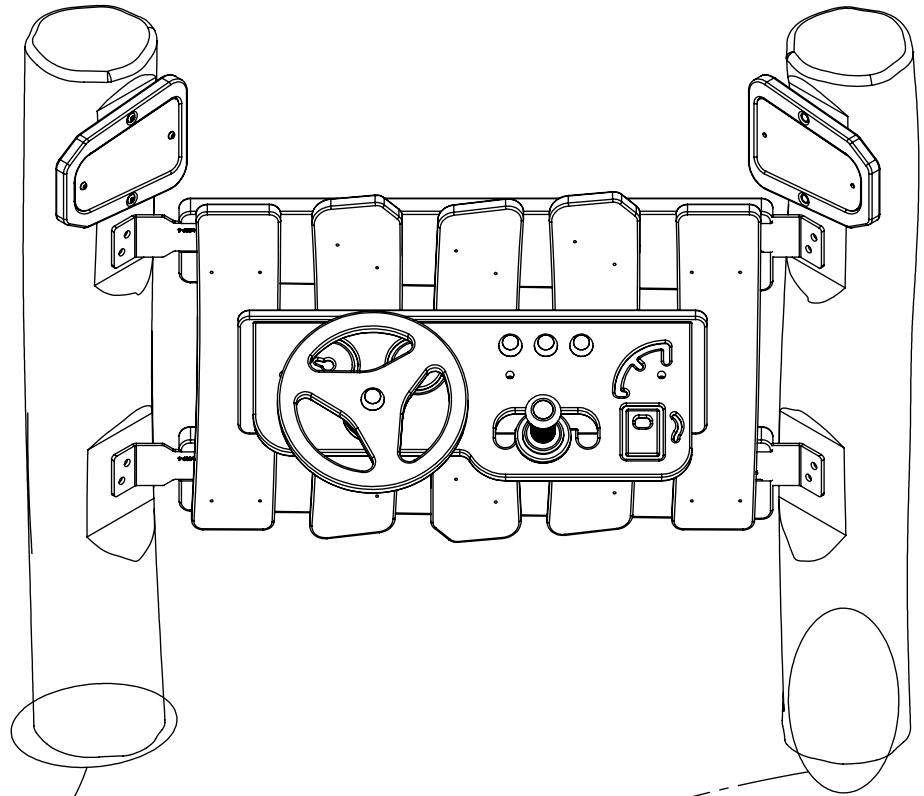


8,5



4x 8x50sxi





[cm]

**vinci
play**