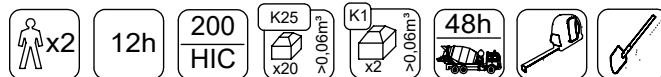
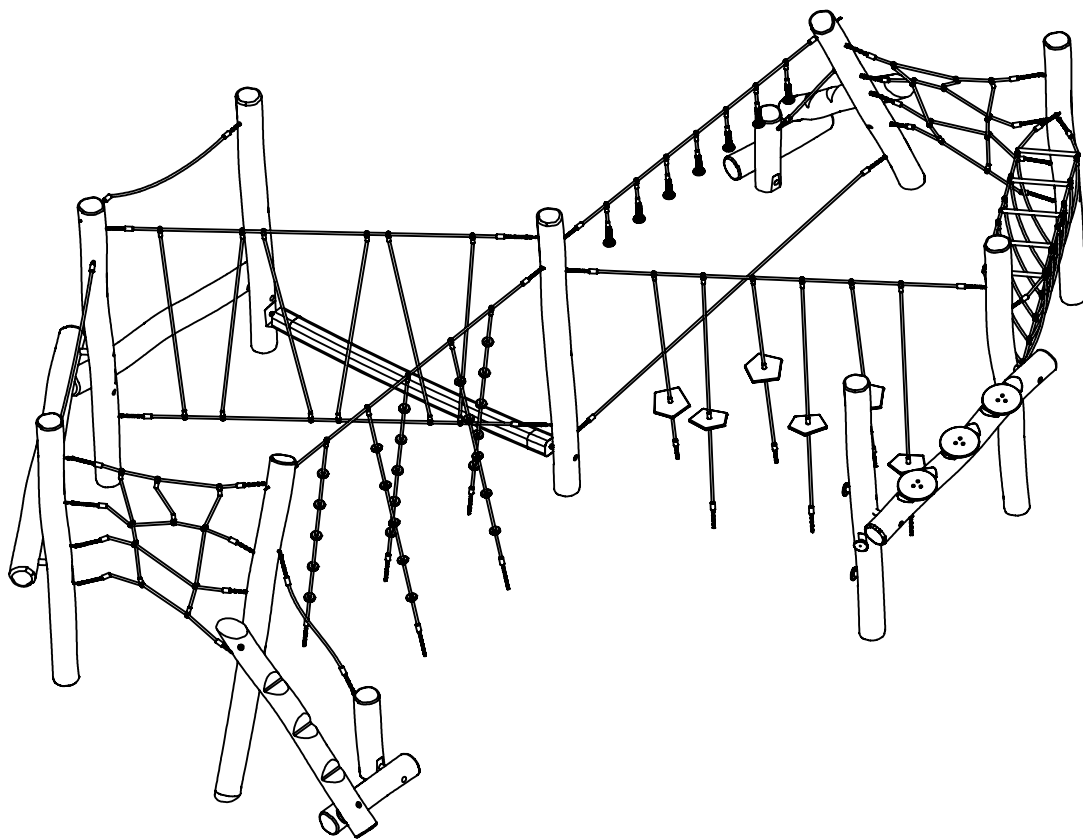
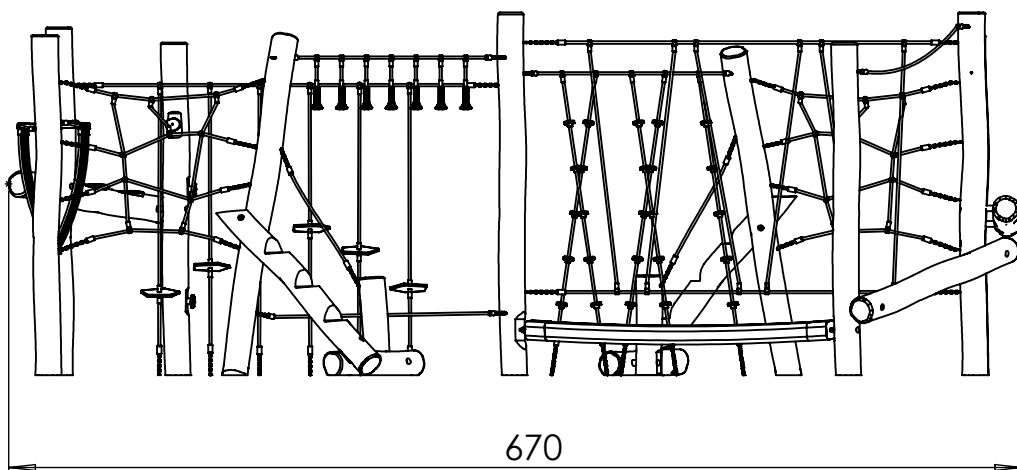
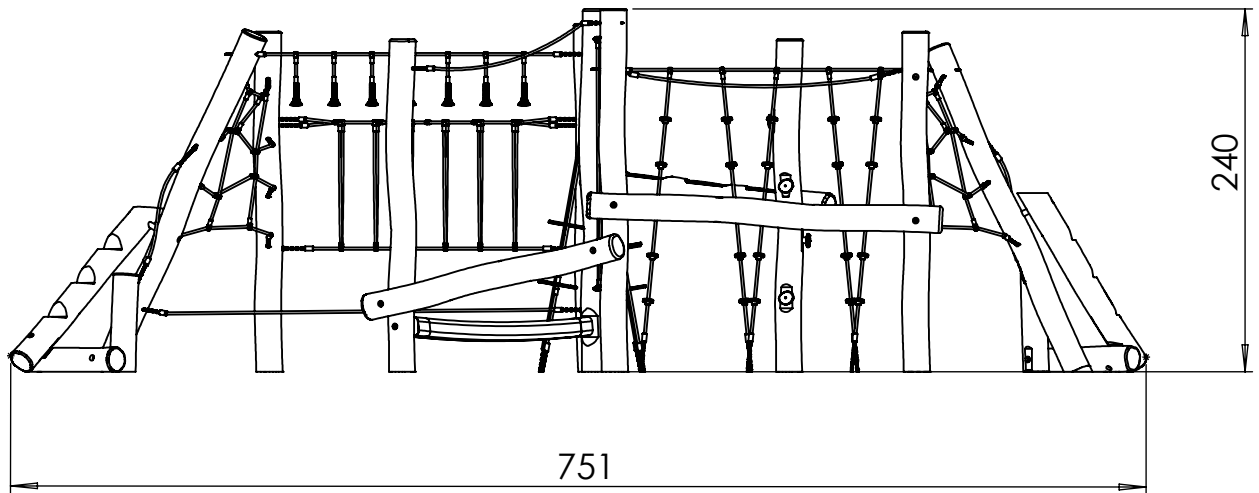


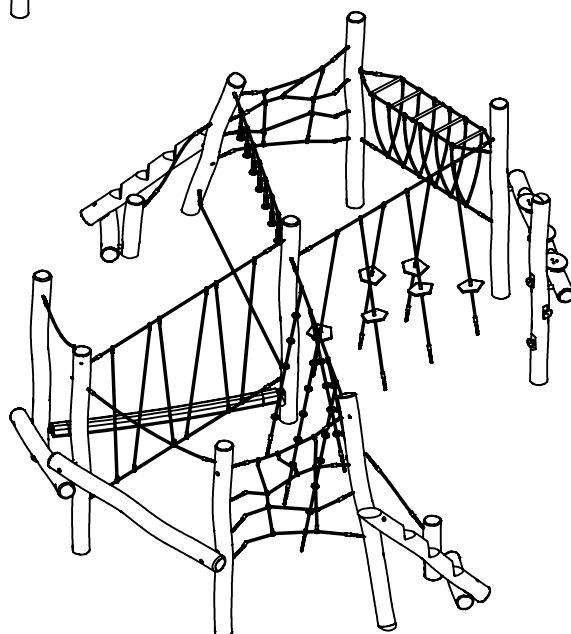
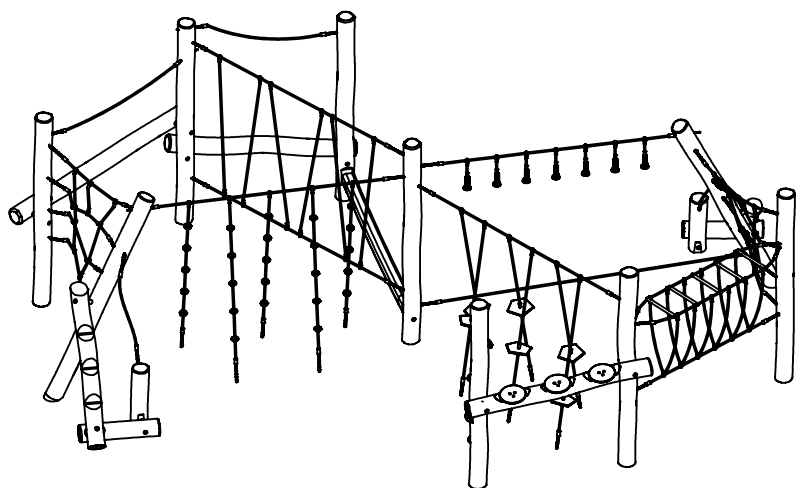
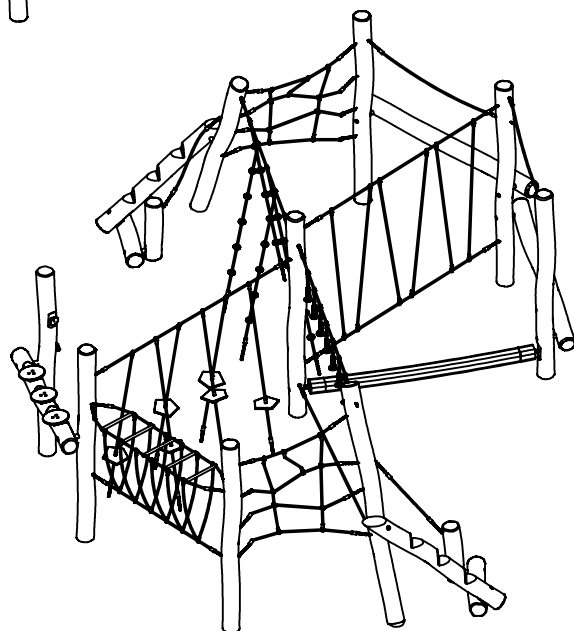
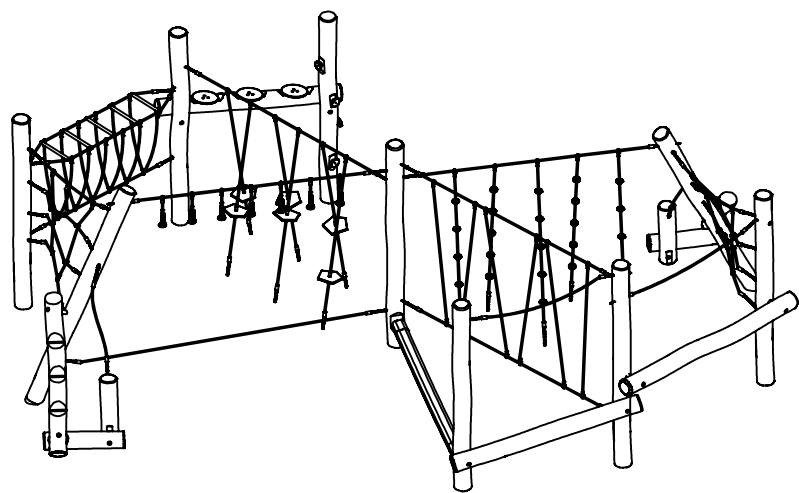
RB1319



v011
24.02.2020
A. P.
[cm]

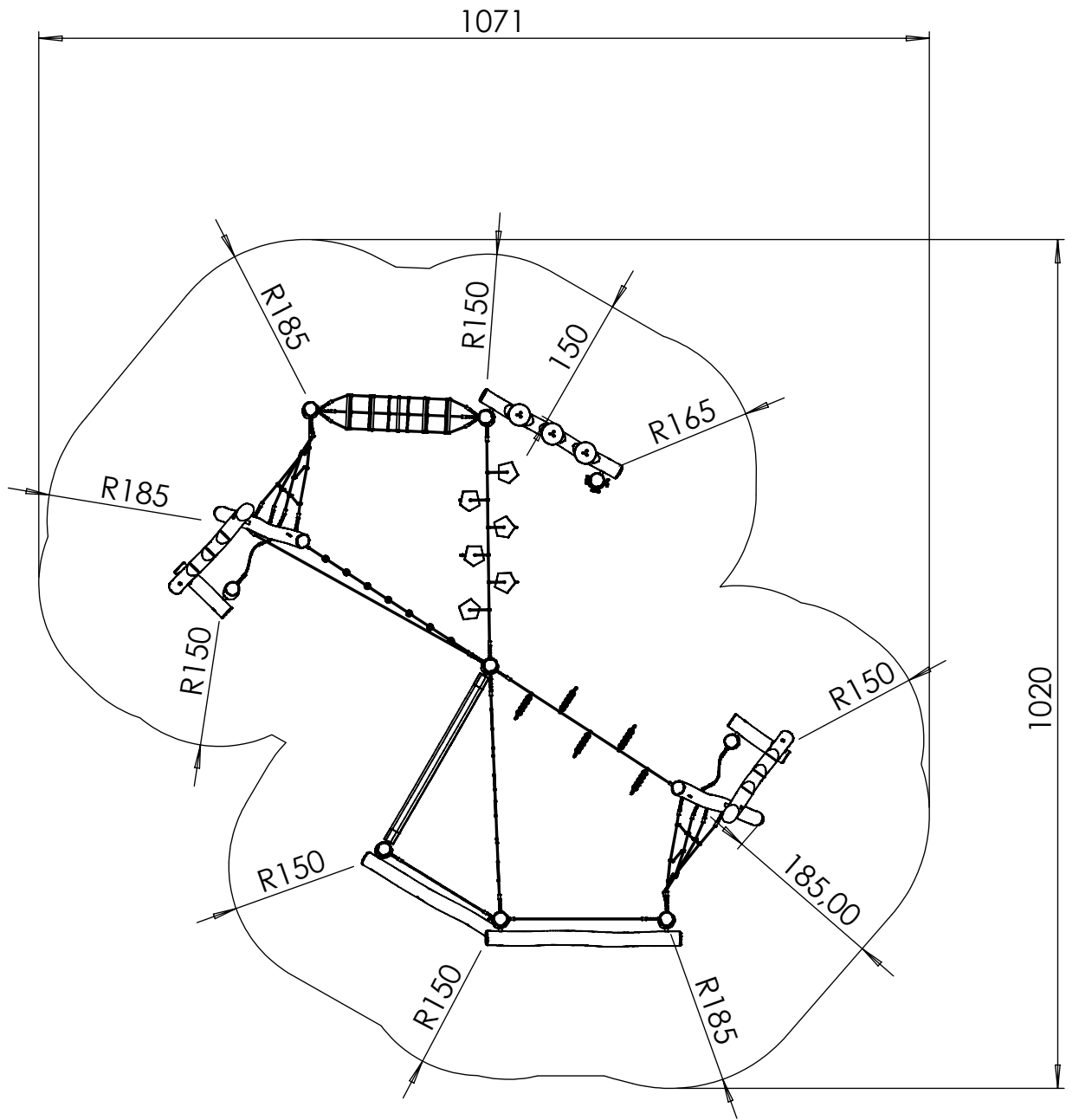
vinci
play





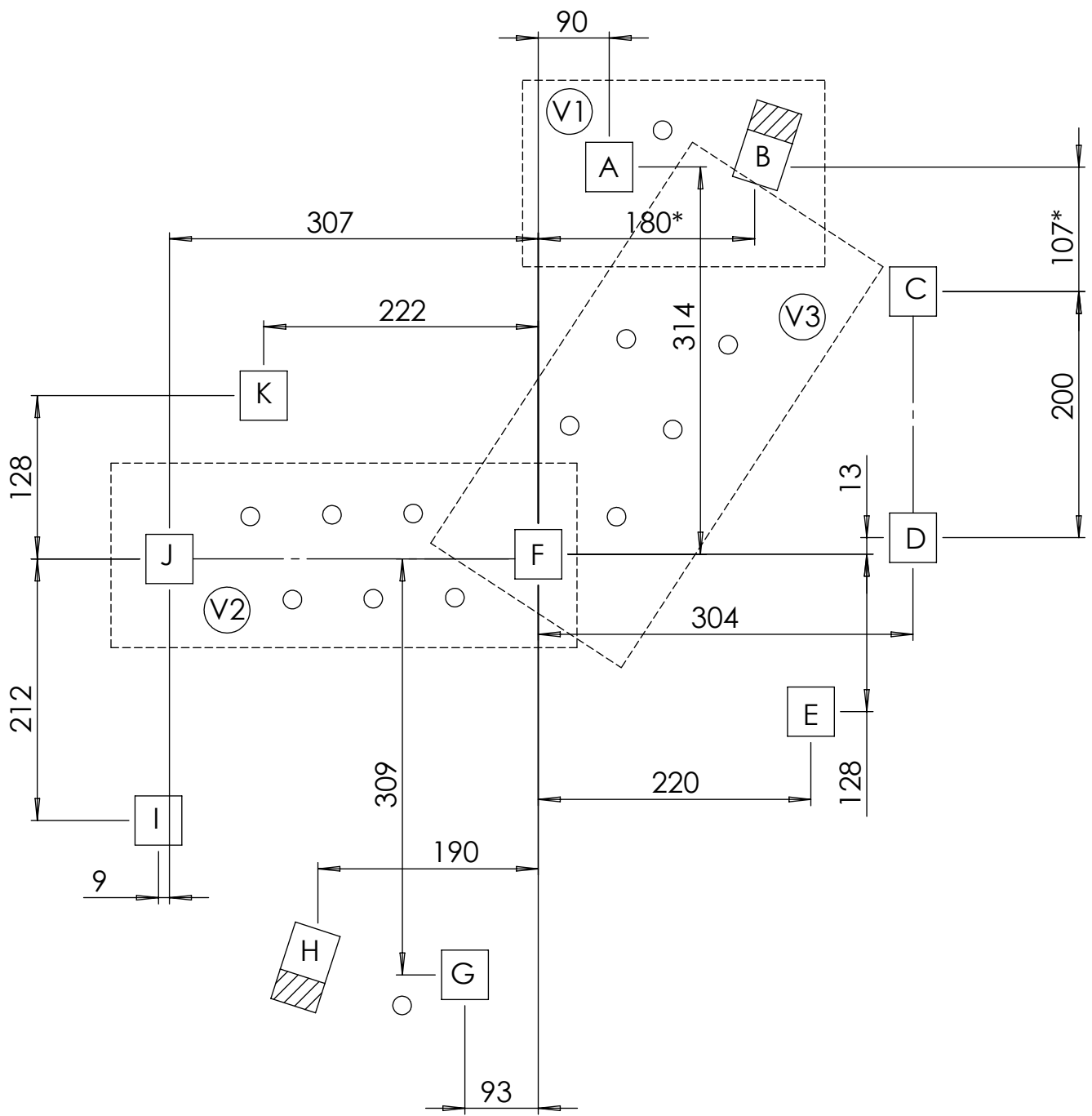
[cm]

vinci
play

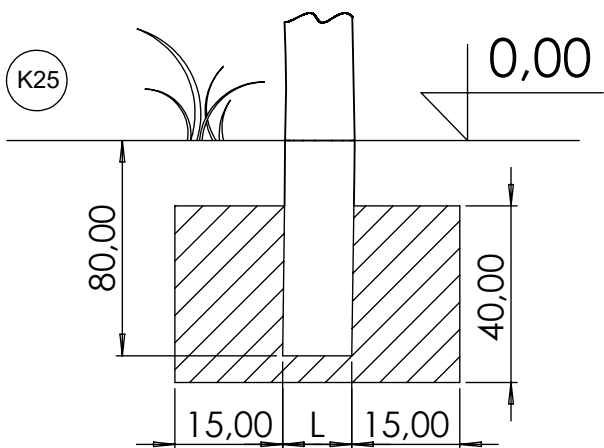


[cm]

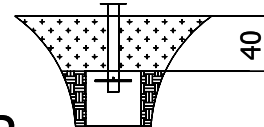
vinci
play



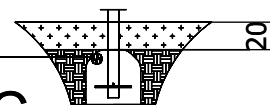
K25



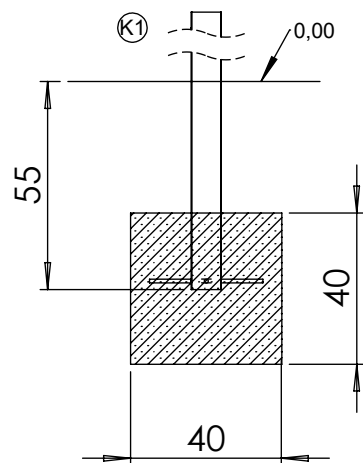
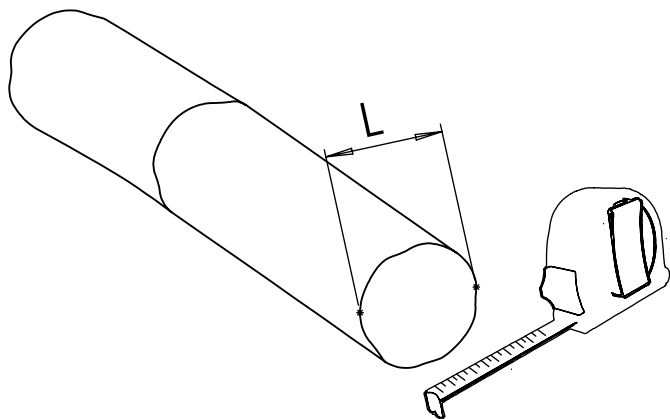
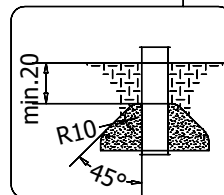
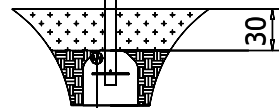
A.



B.



C.



K25



x20

>0,06m³

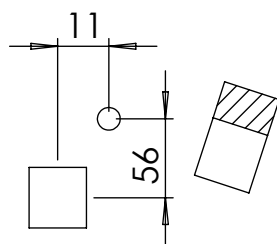
K1



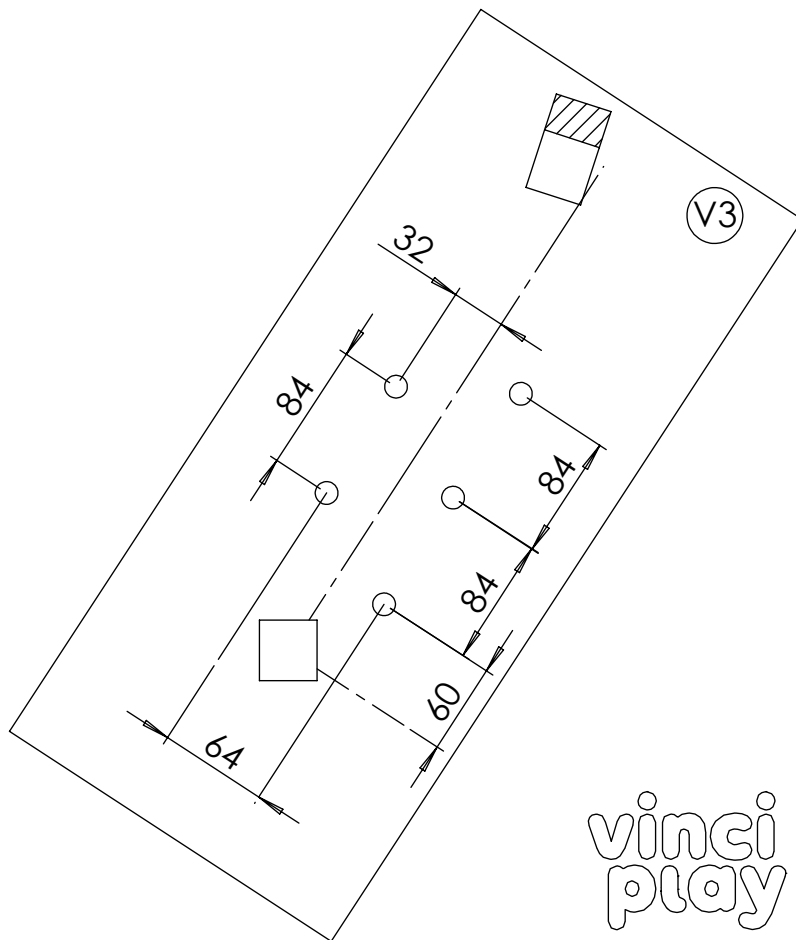
x2

>0,06m³

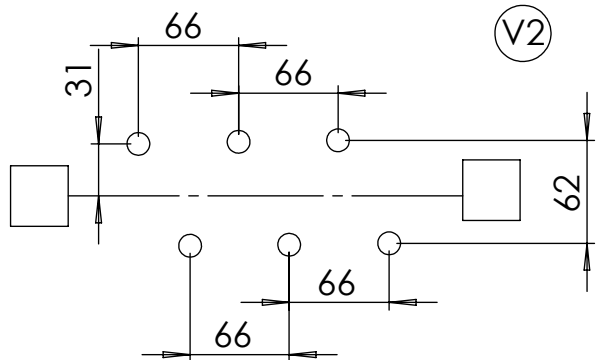
V1



V3

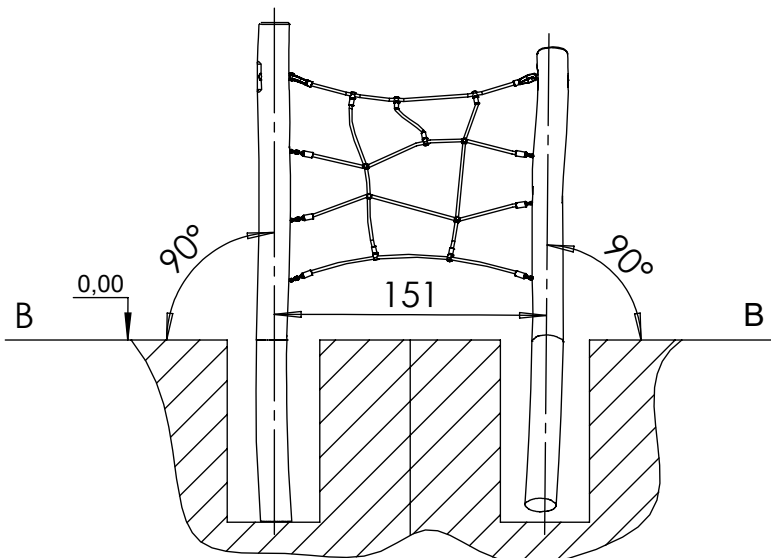
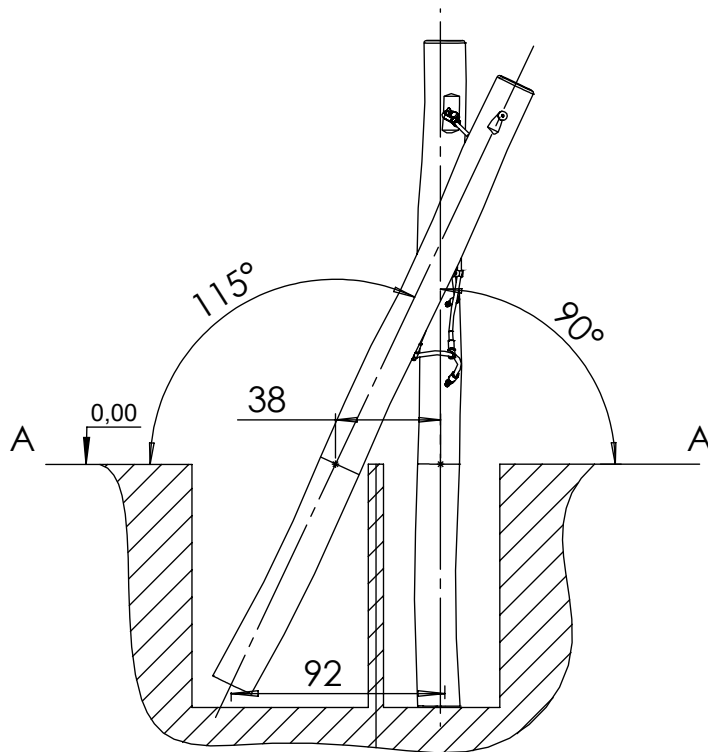
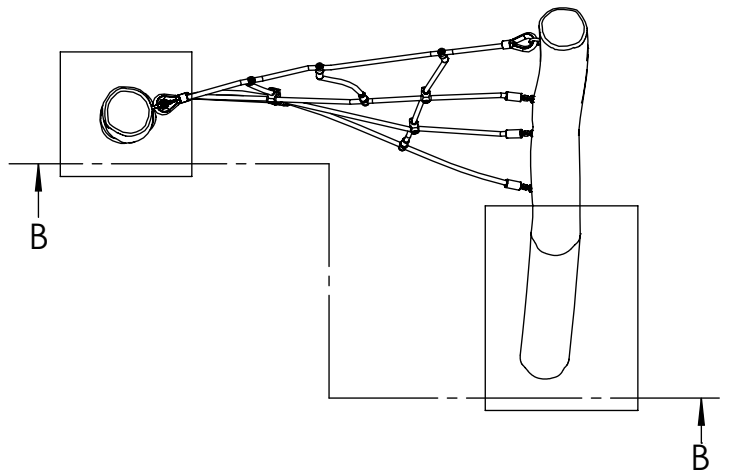
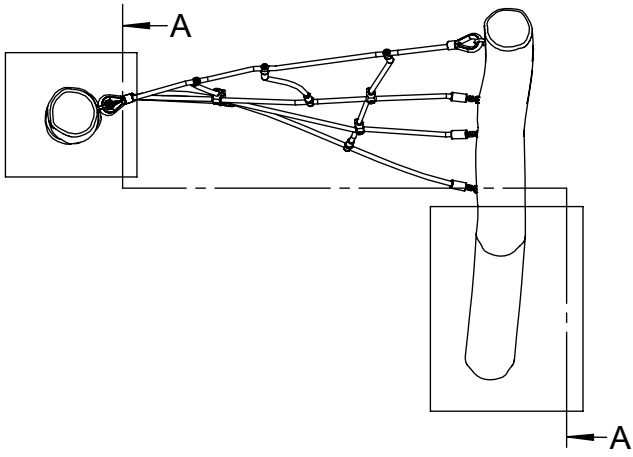


V2



[cm]

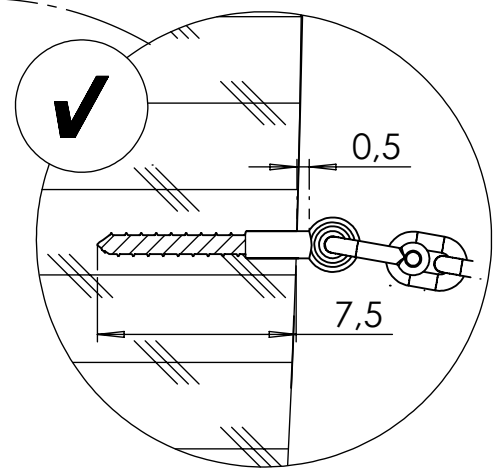
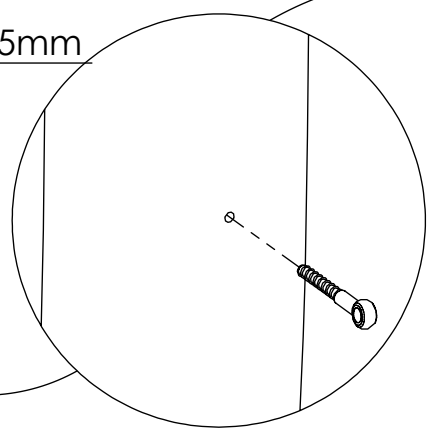
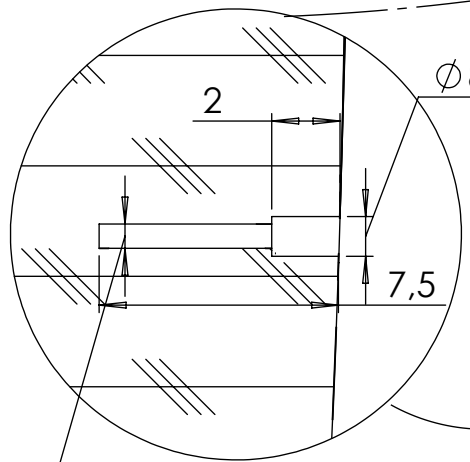
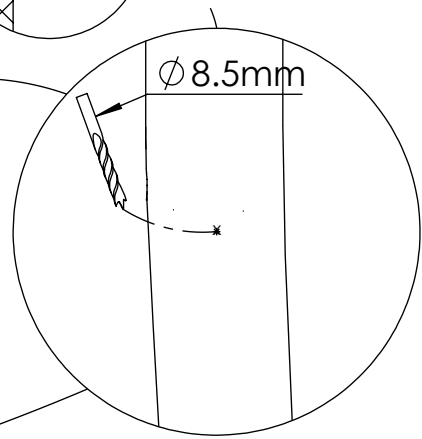
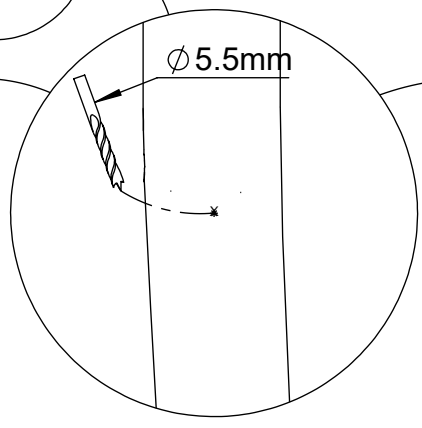
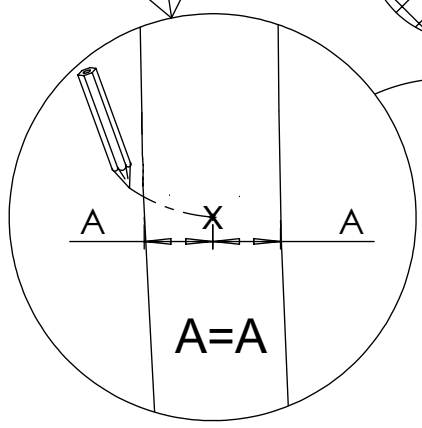
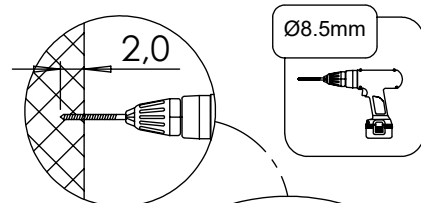
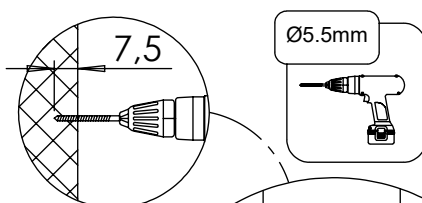
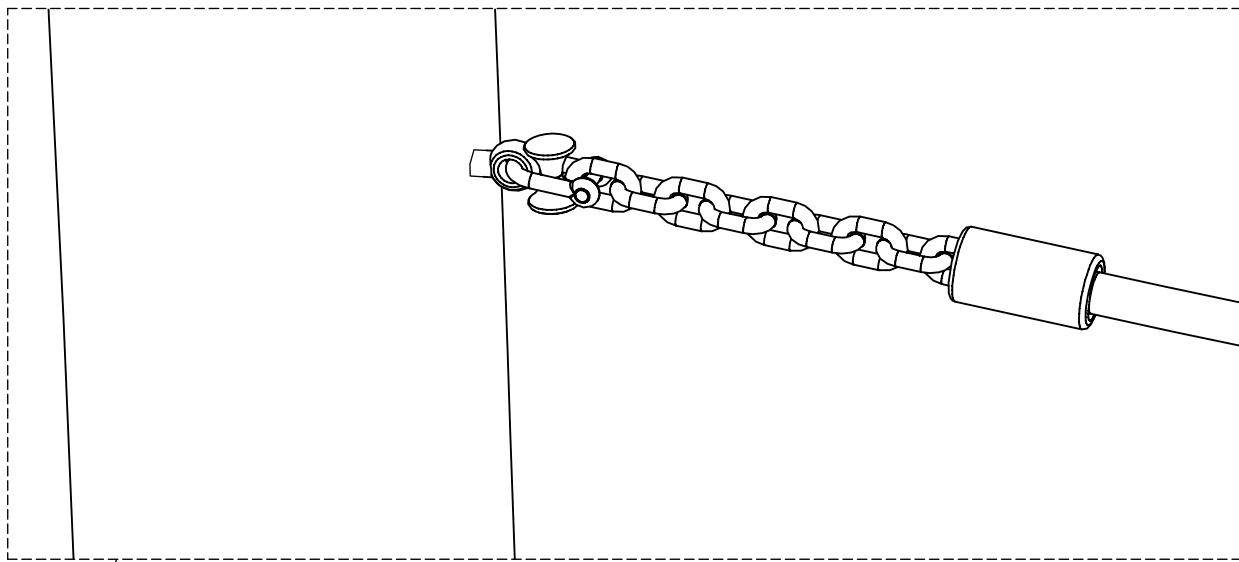
vinci play



[cm]



vinci
play



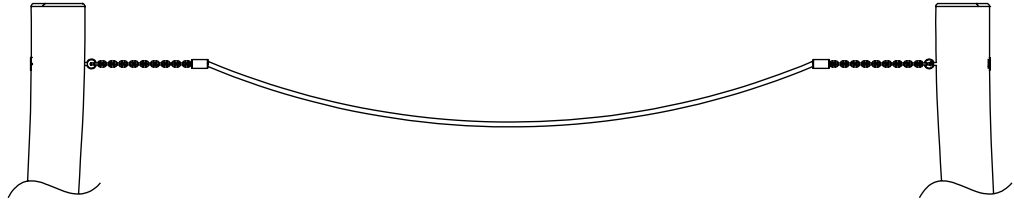
[cm]

vinci play

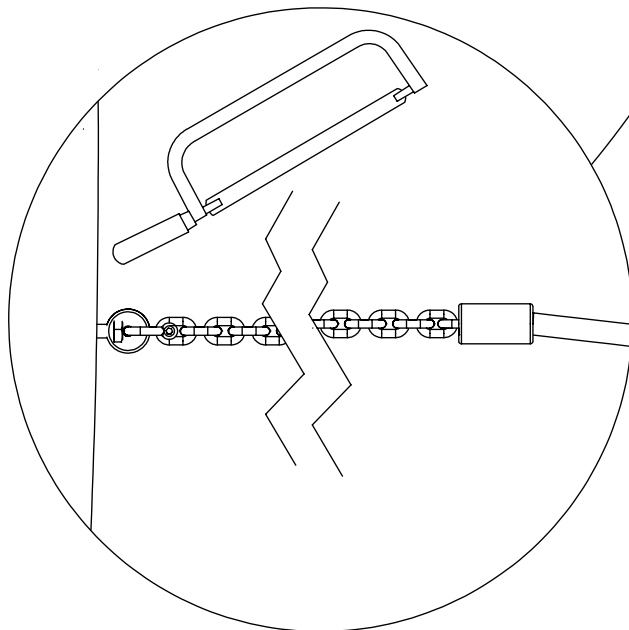
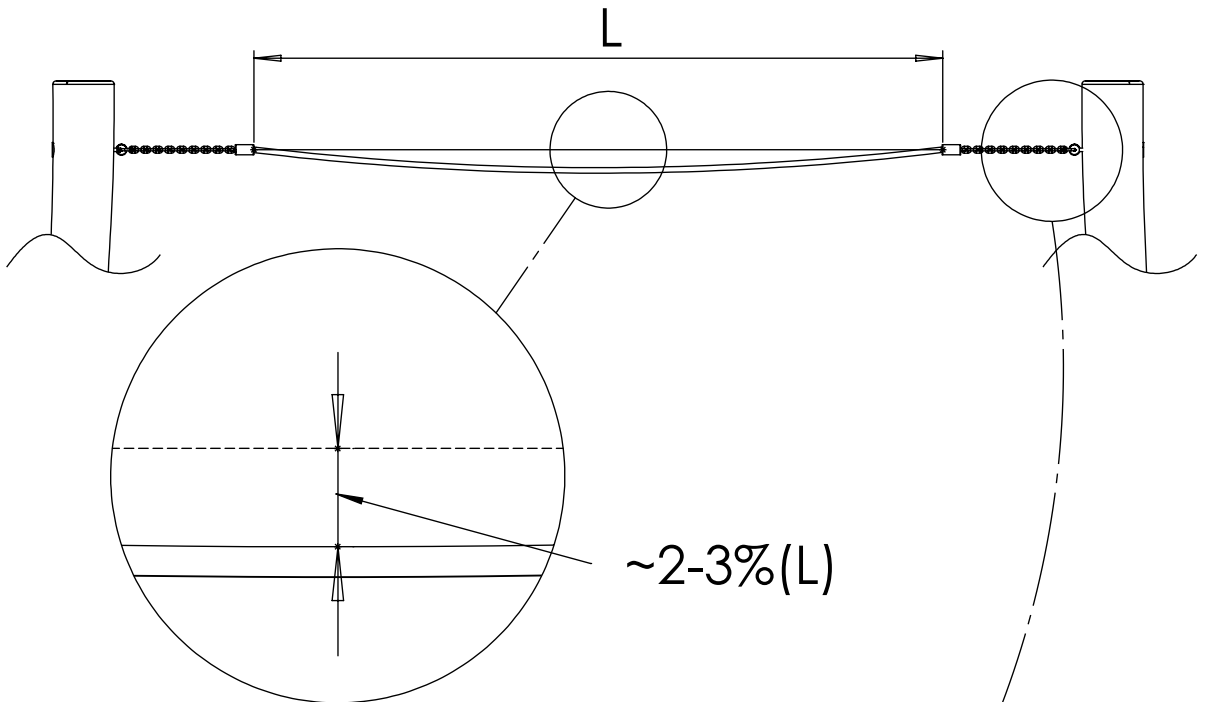
X



X



V





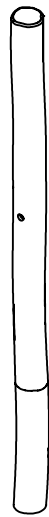
127421(A,G)
x2



127420
x2



127419
x2



127267(B)
x1



127422(C)
x1



127368
x1



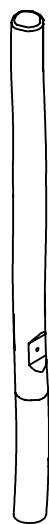
127269(D)
x1



127369
x1



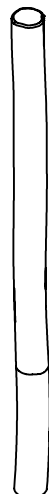
127270 (E)
x1



127271(F)
x1



127423(H)
x1



127424(I)
x1



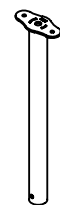
127272(J)
x1



127273
x1



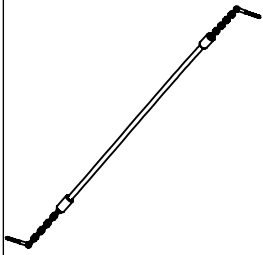
127274(K)
x1



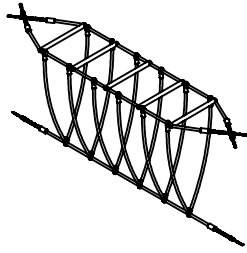
082112
x2

[cm]

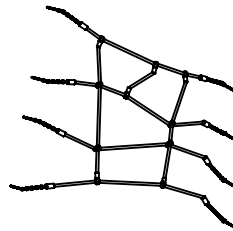
vinci
play



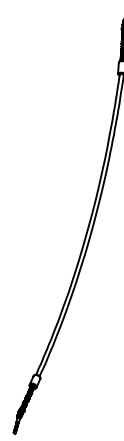
125129
x2



125117
x1



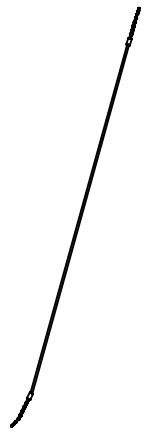
125101
x2



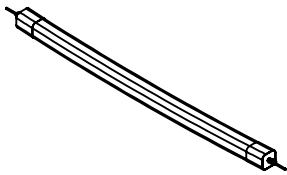
125103
x1



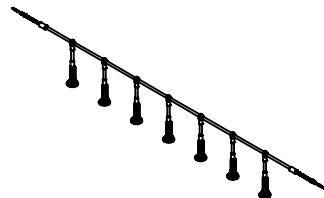
125104
x1



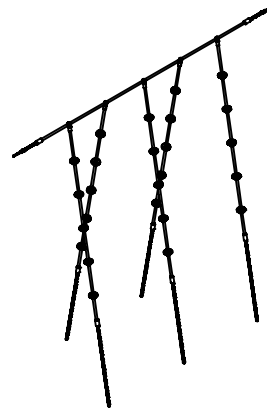
125128
x1



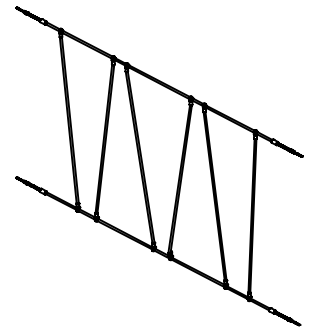
996337
x1



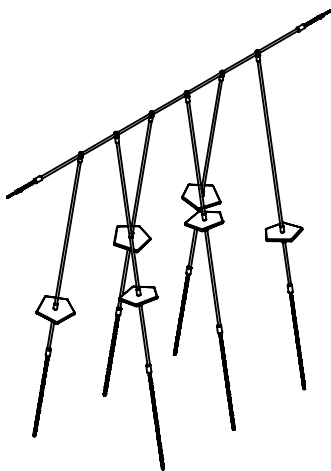
125130
x1



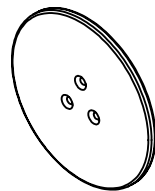
125116
x1



125115
x1

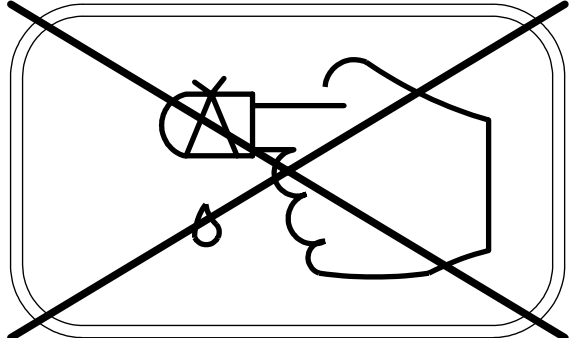
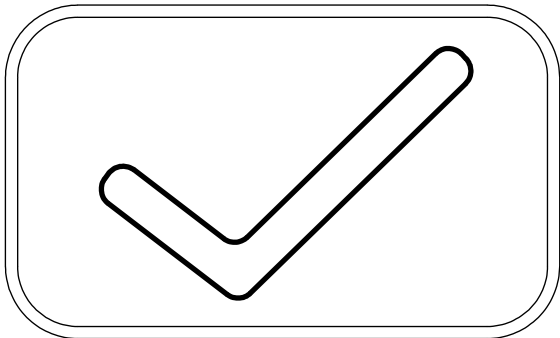
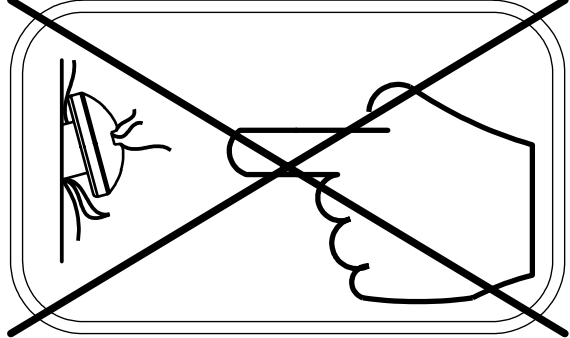
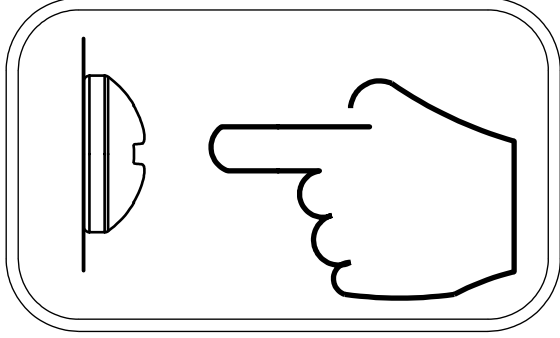
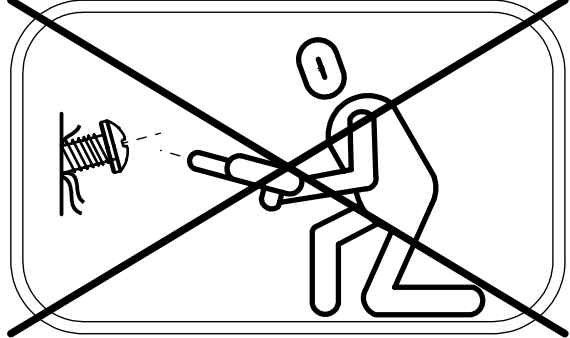
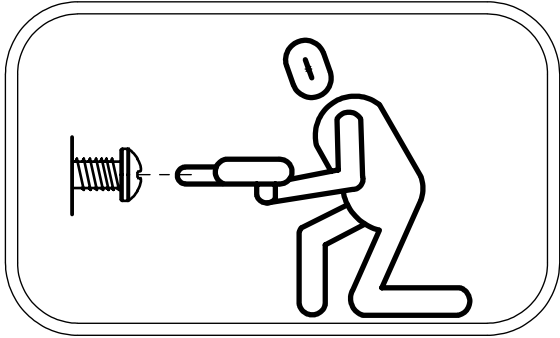


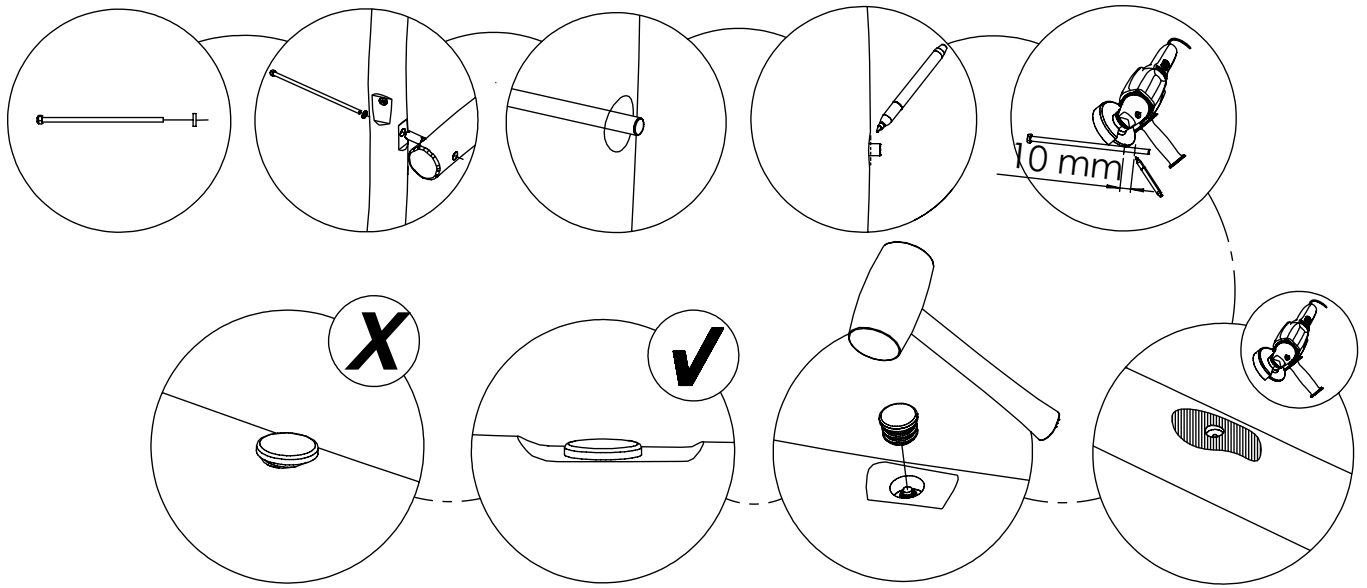
125118
x1



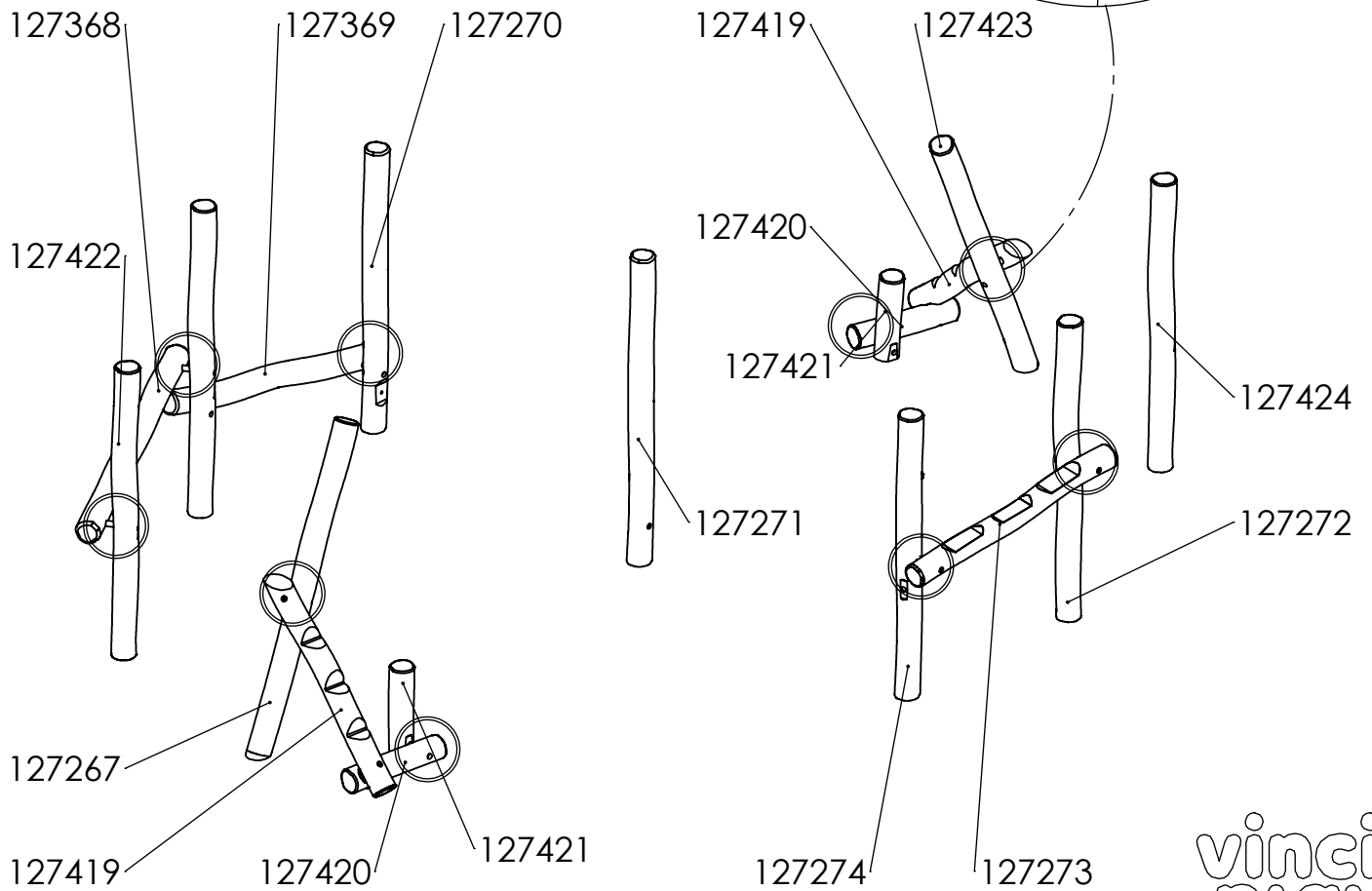
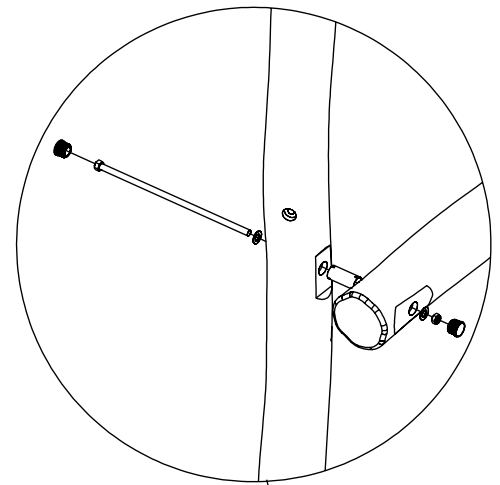
121103
x3

4x	8x50sxi
9x	8x80sxt
4x	8x160sxt
1x	V001
4x	121110
4x	123103
21x	12e007
3x	12e022
2x	12e025
1x	12e026
4x	12e027
11x	12e052
1x	GL



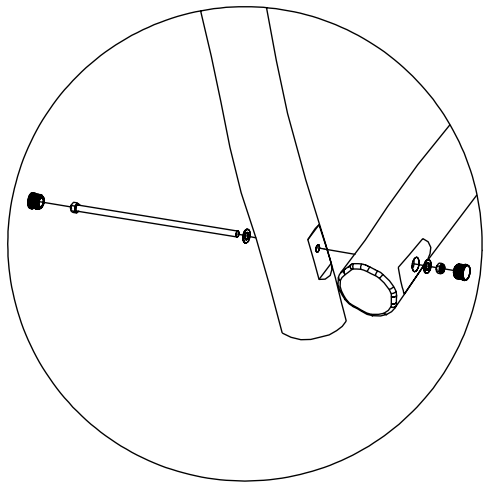


3x 12e022
 4x 12e027

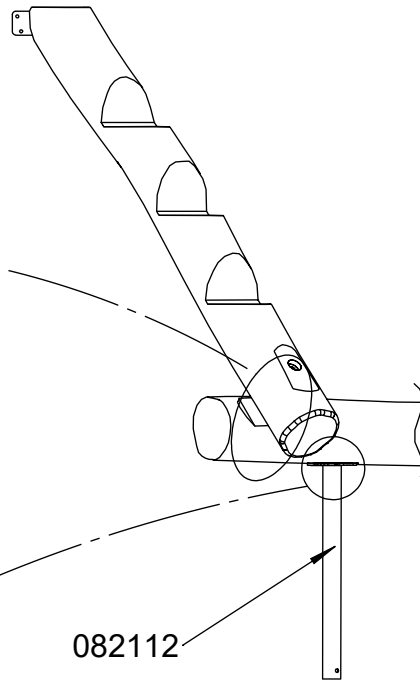


[cm]

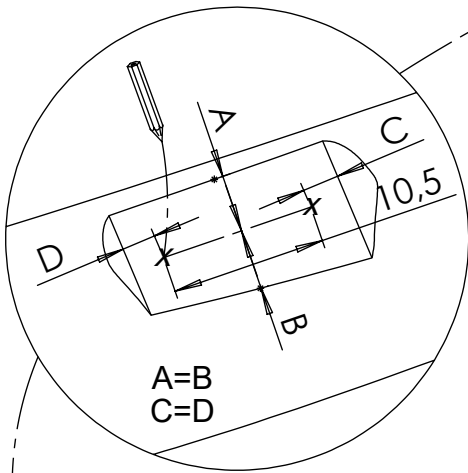
vinci
play



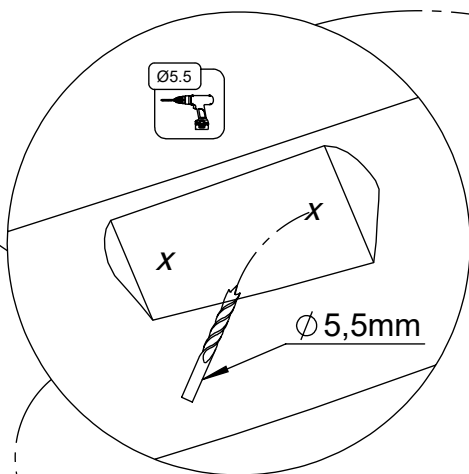
2x 12e025



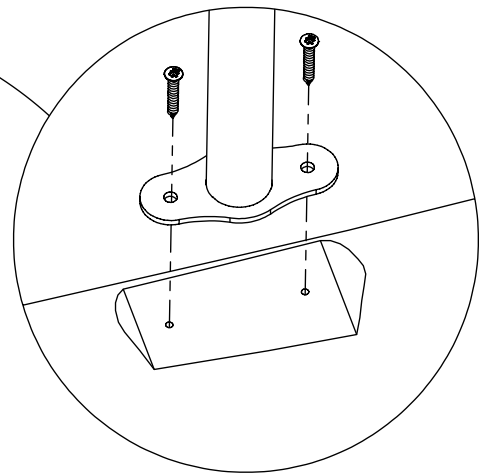
082112



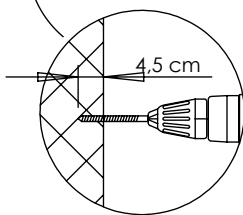
A=B
C=D



Ø5,5mm



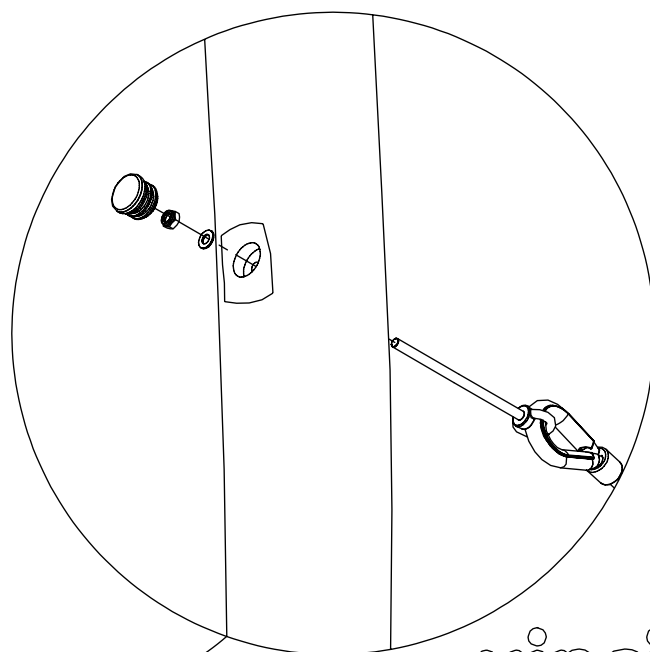
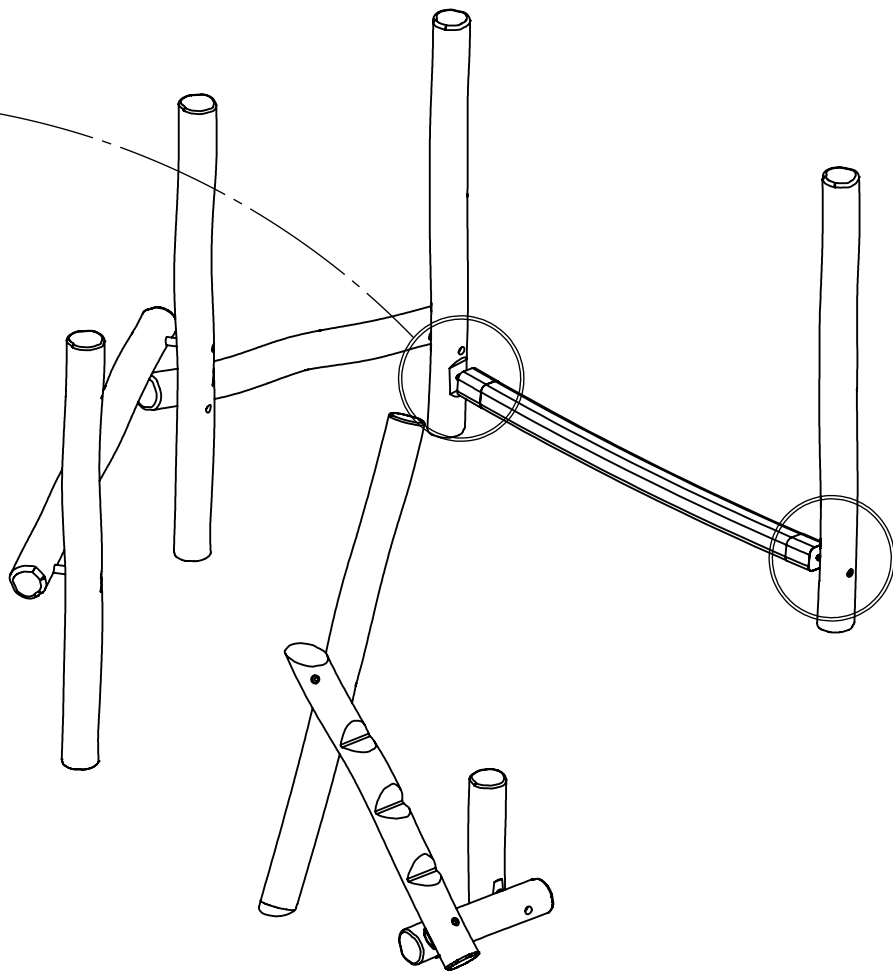
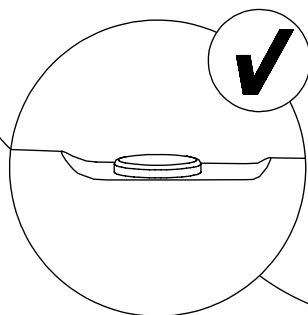
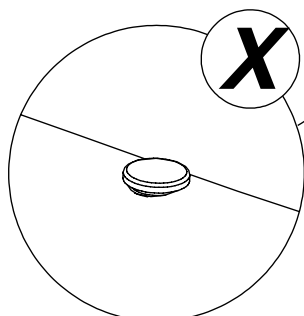
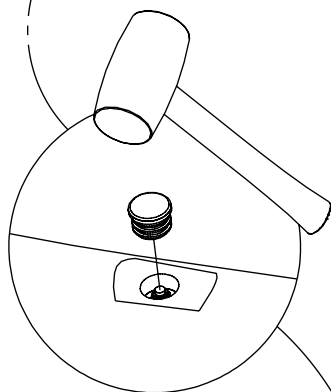
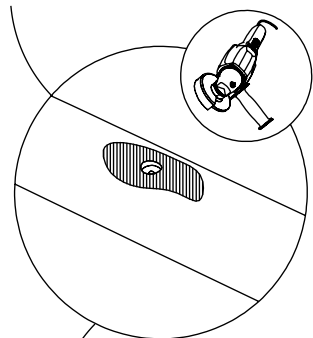
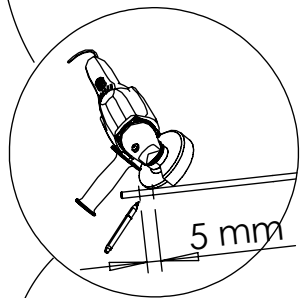
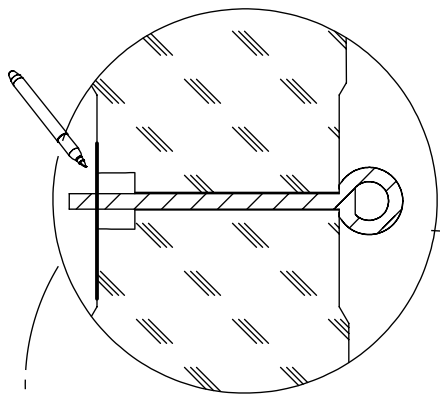
4x 8x50sxi



4,5 cm

[cm]

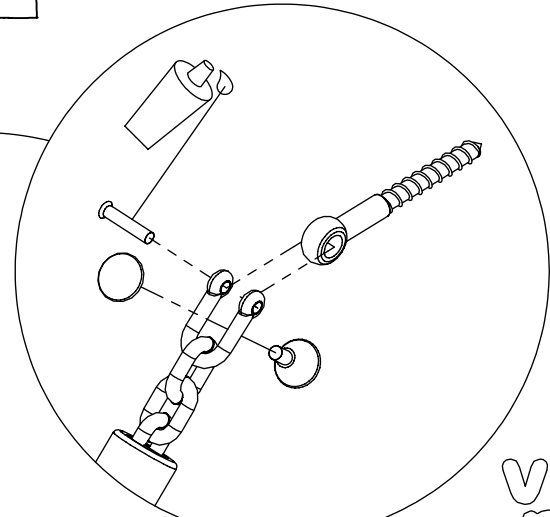
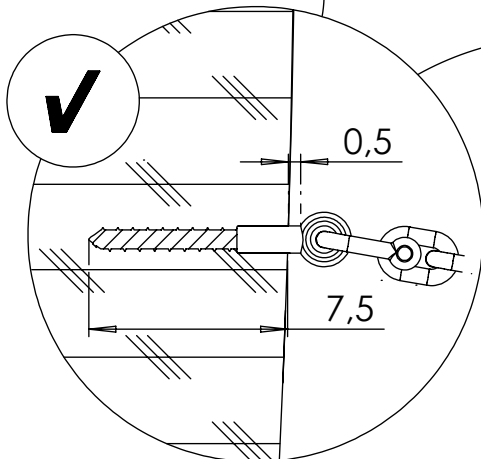
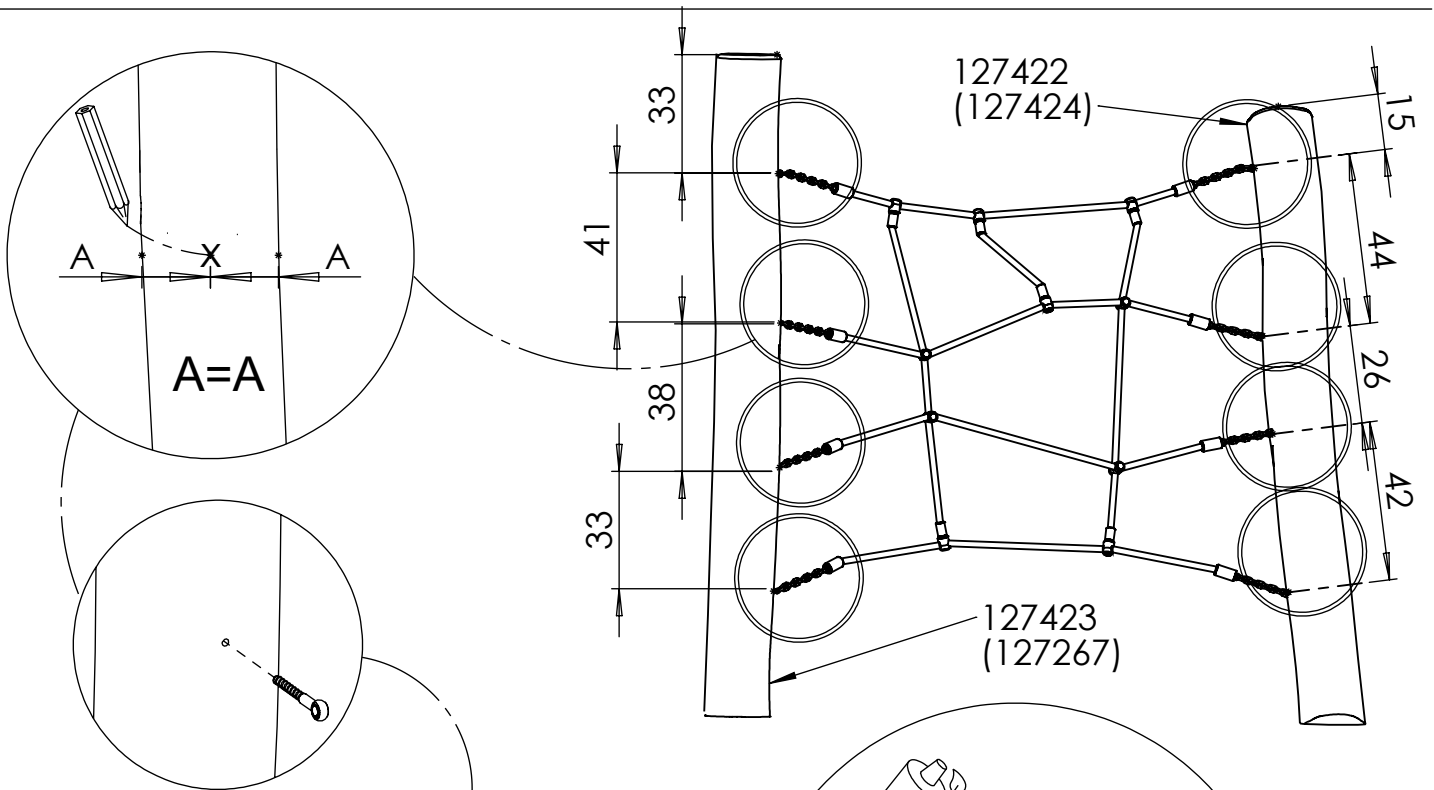
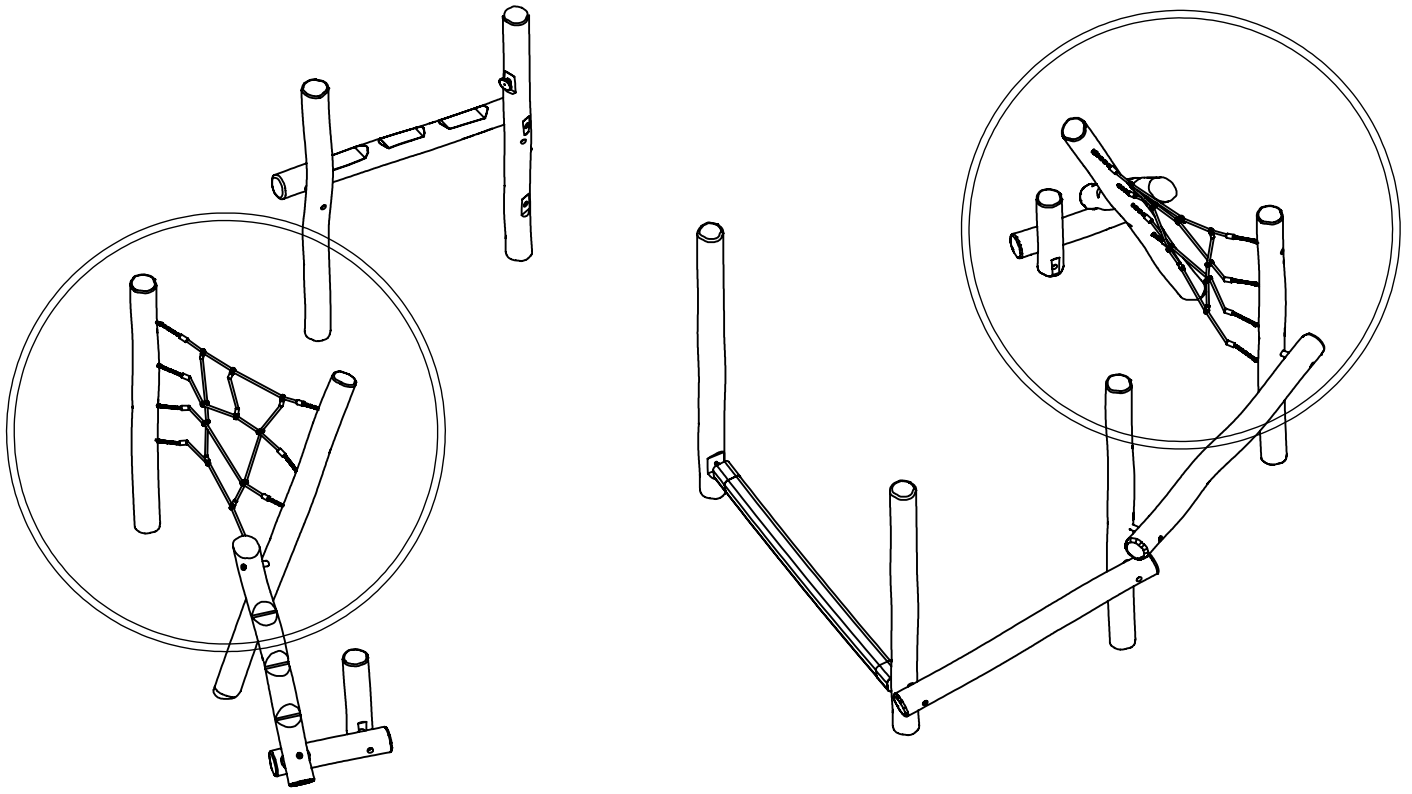
vinci
play



[cm]

1x 12e026

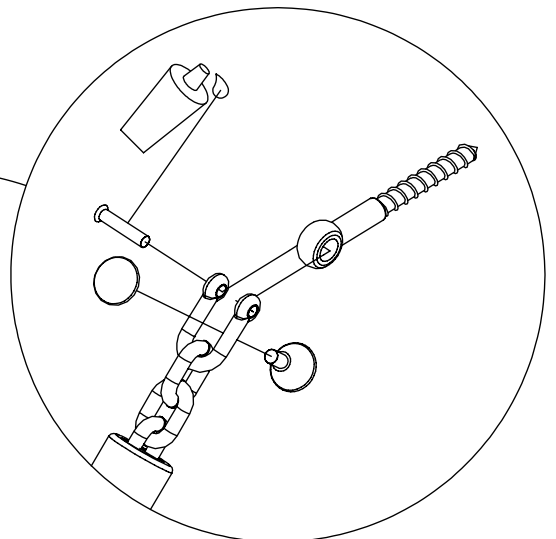
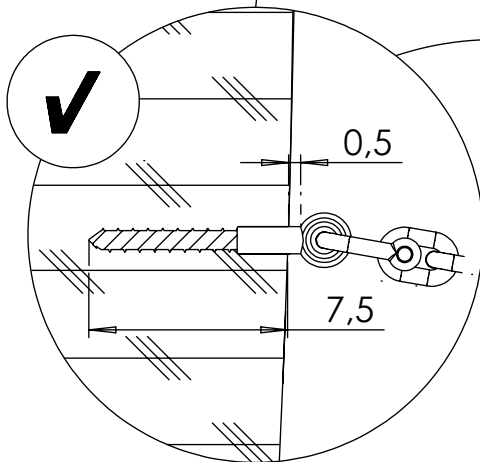
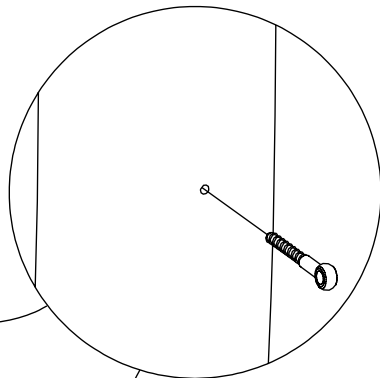
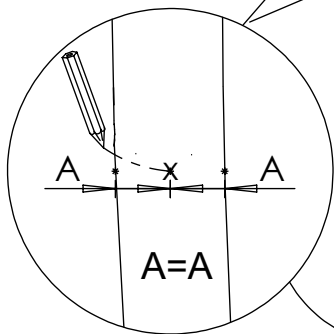
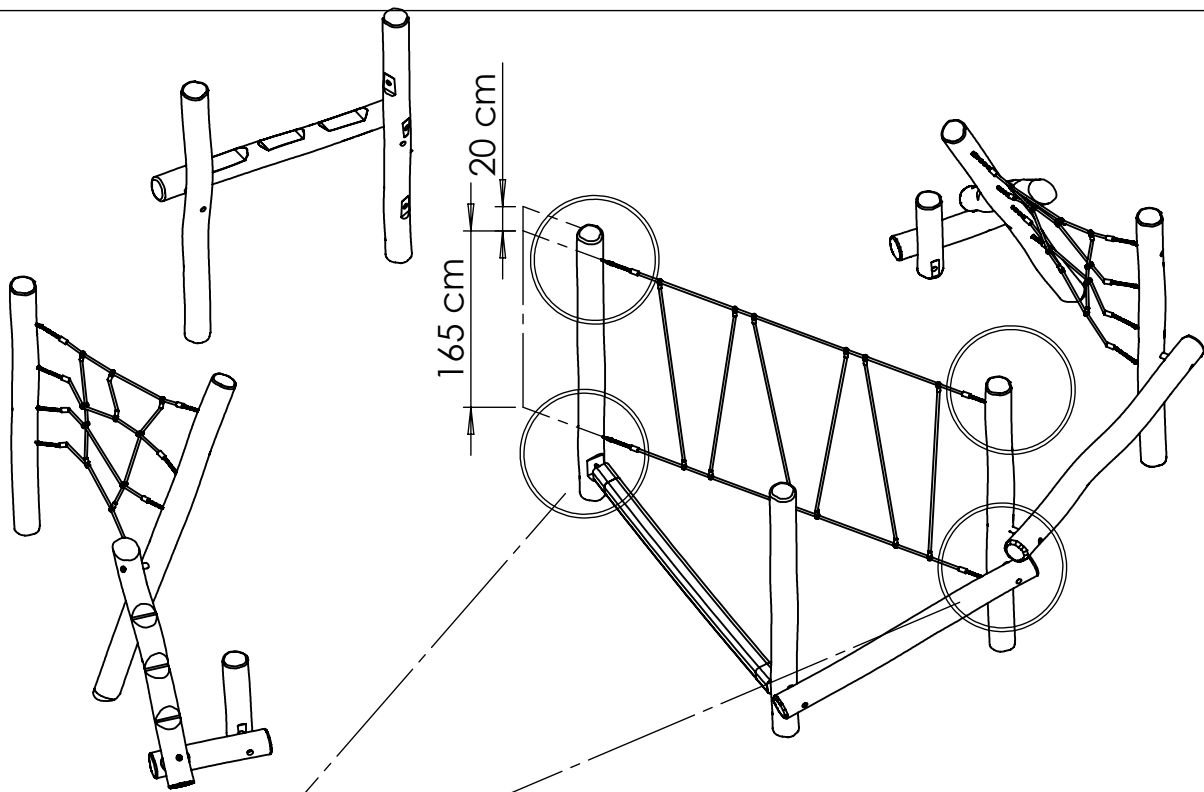
vinci
play



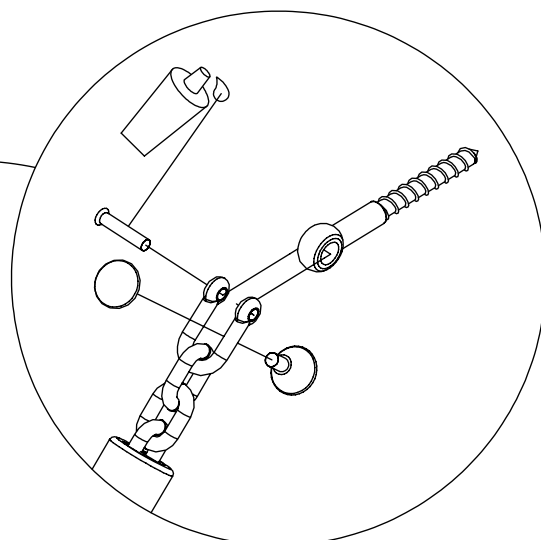
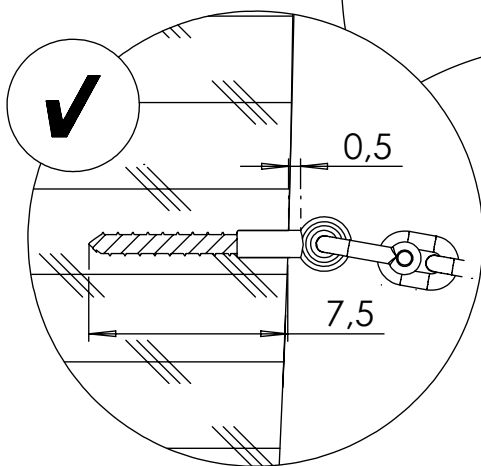
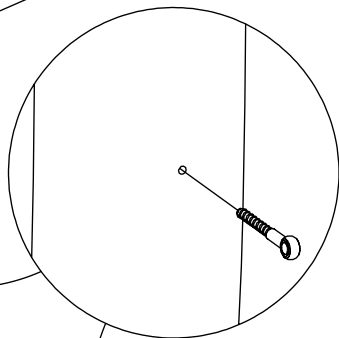
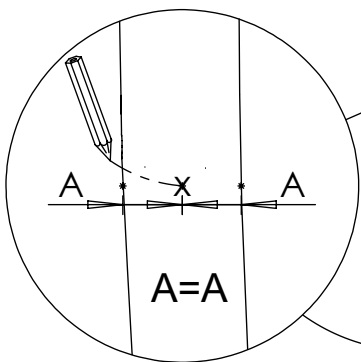
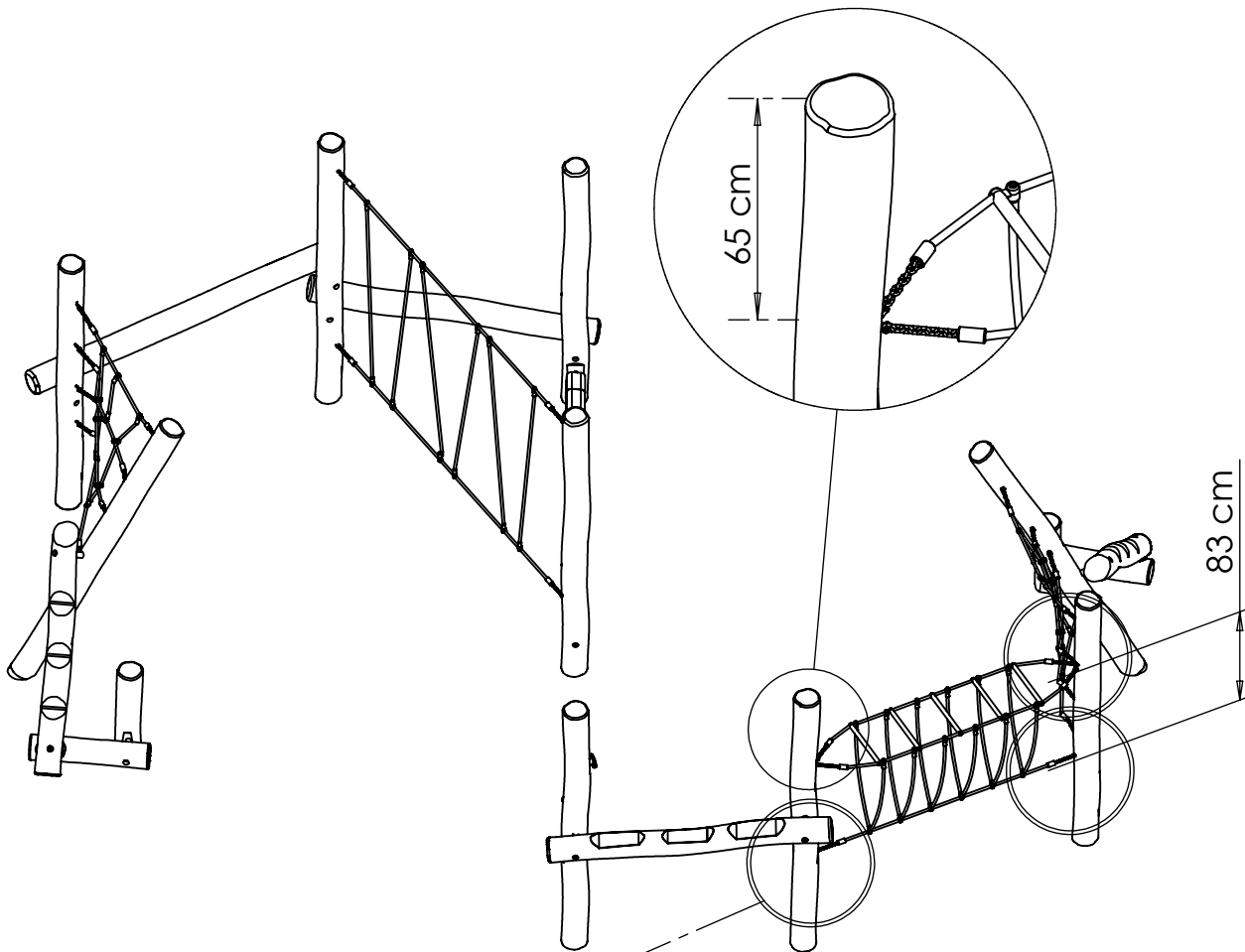
[cm]

8x 12e007

vinci
play

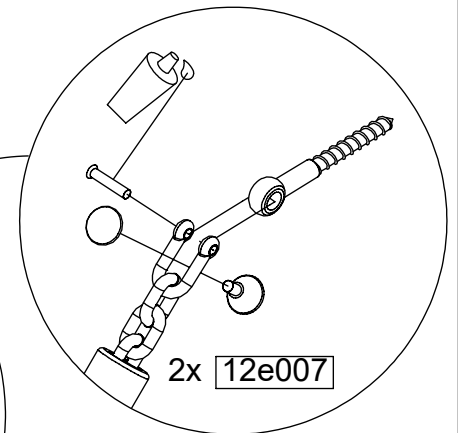
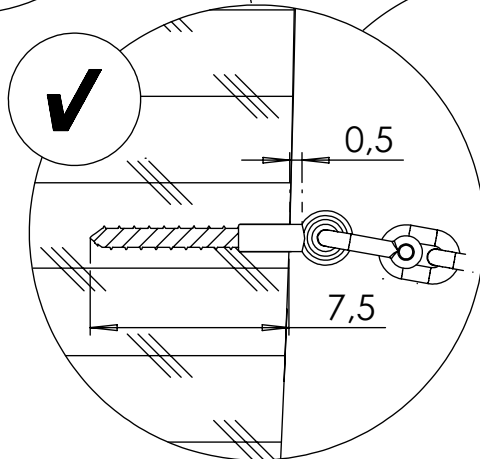
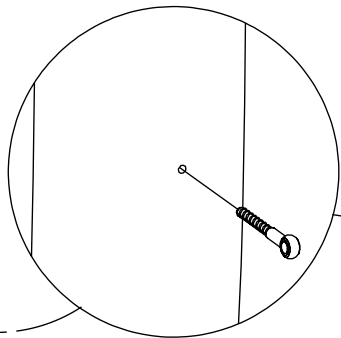
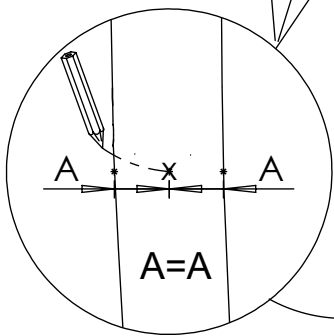
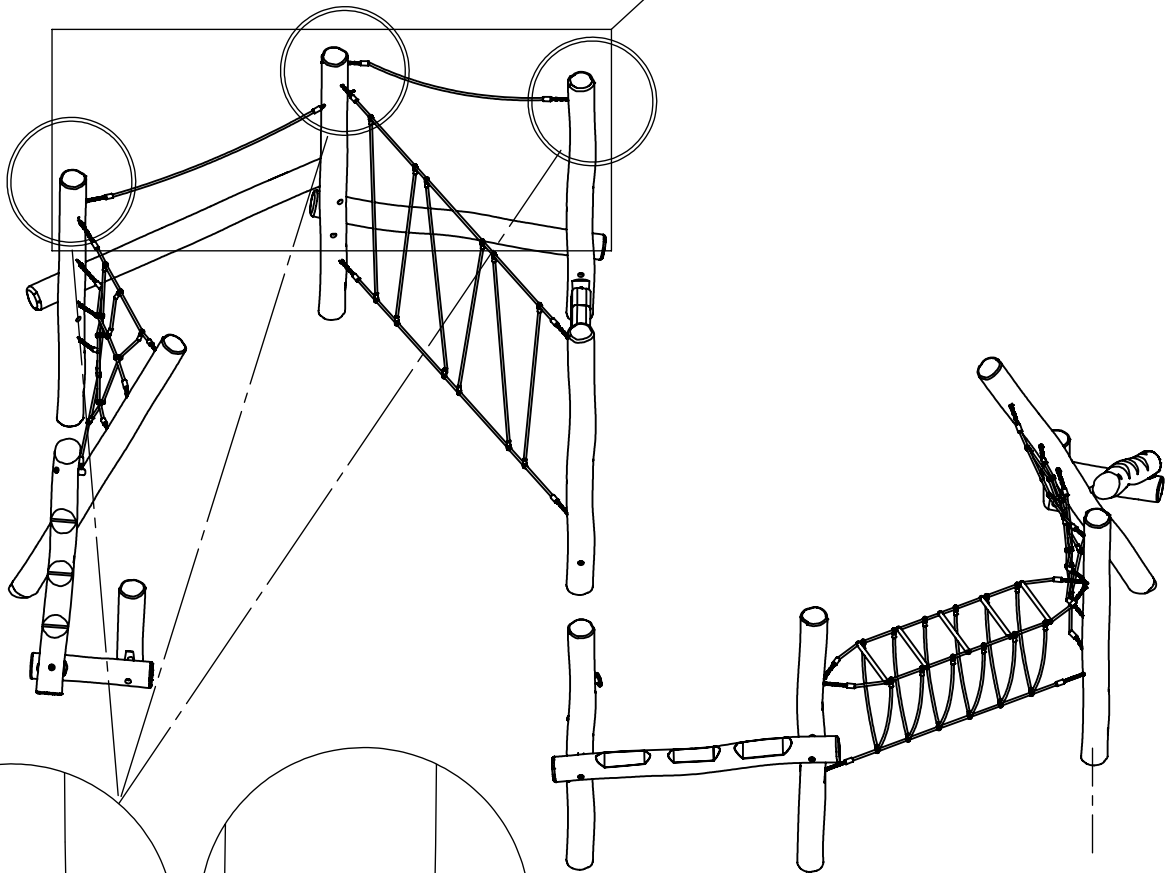
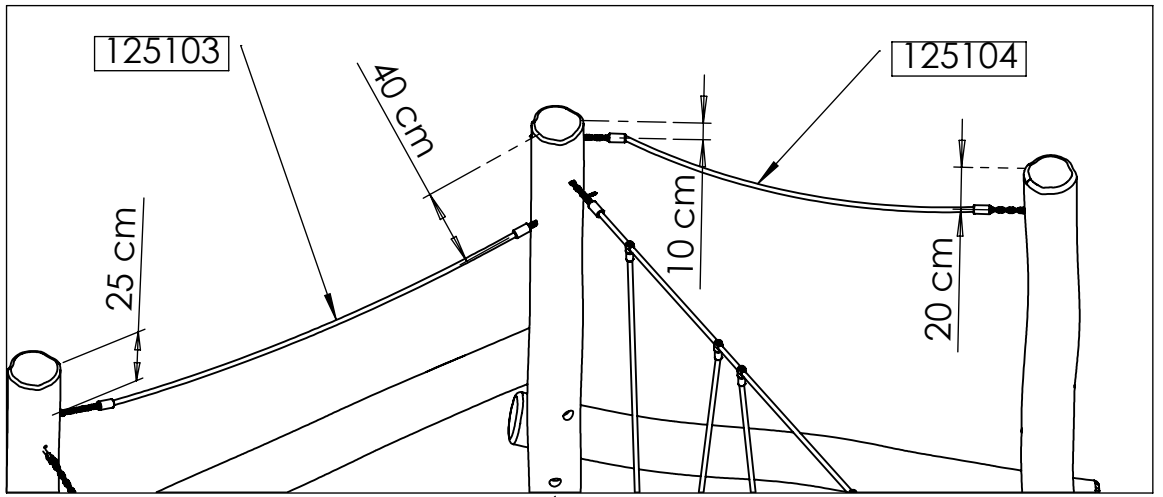


2x 12e007



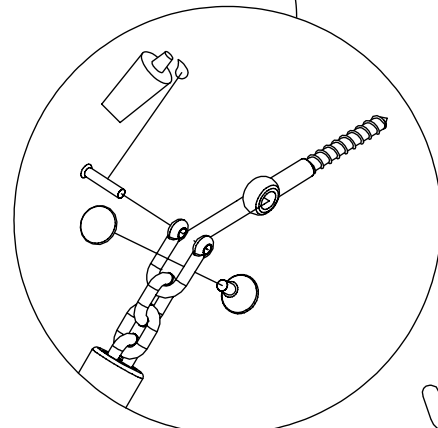
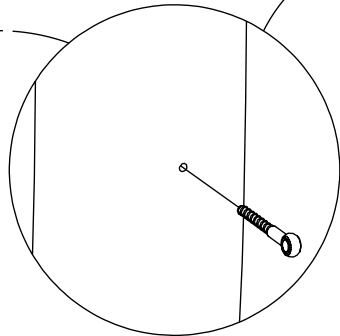
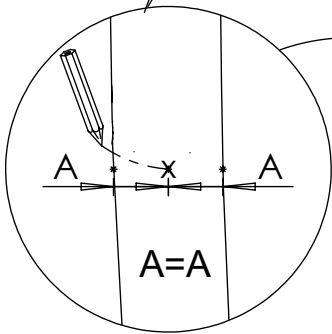
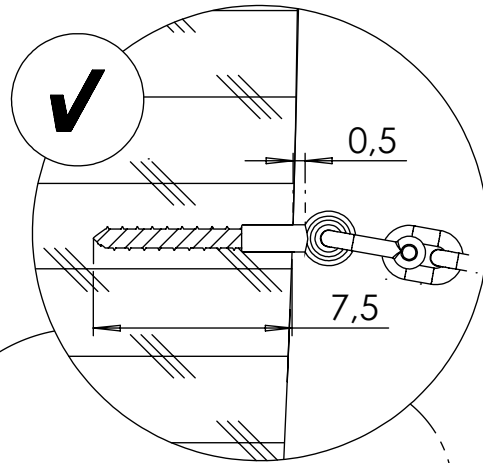
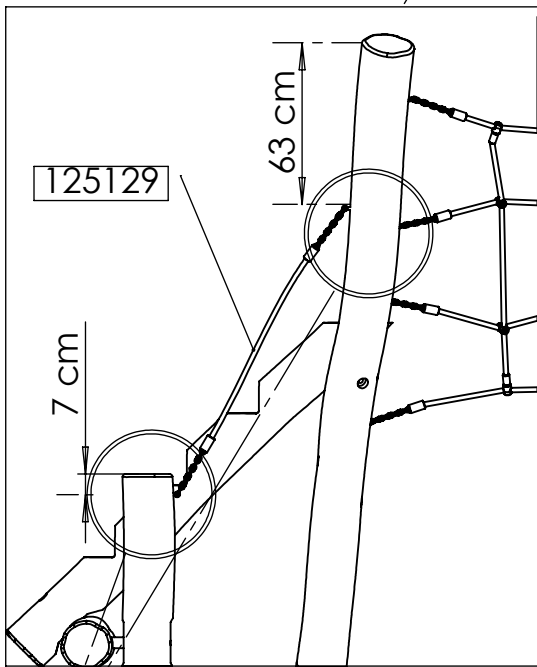
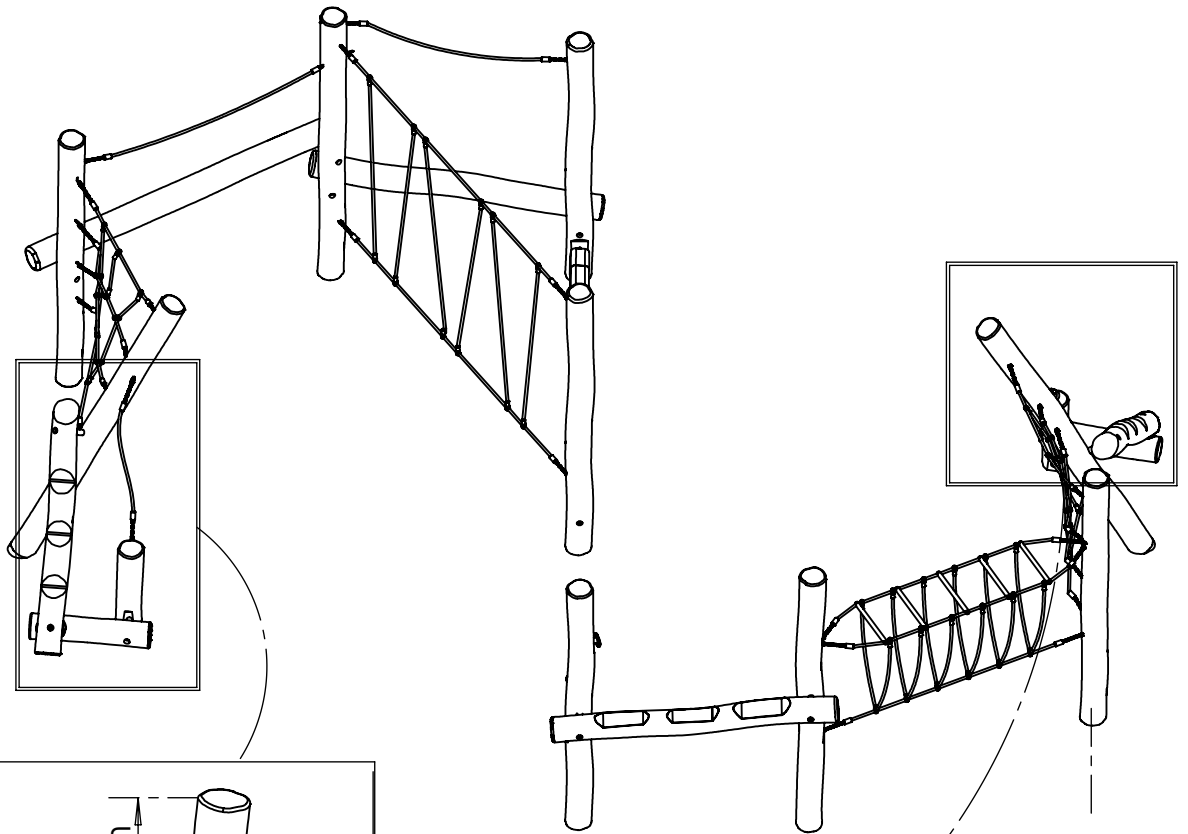
3x 12e007

vinci
play



[cm]

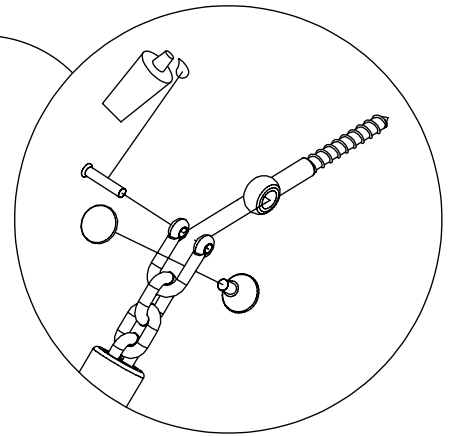
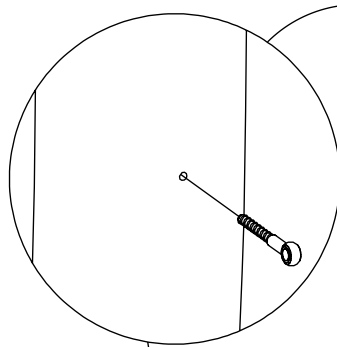
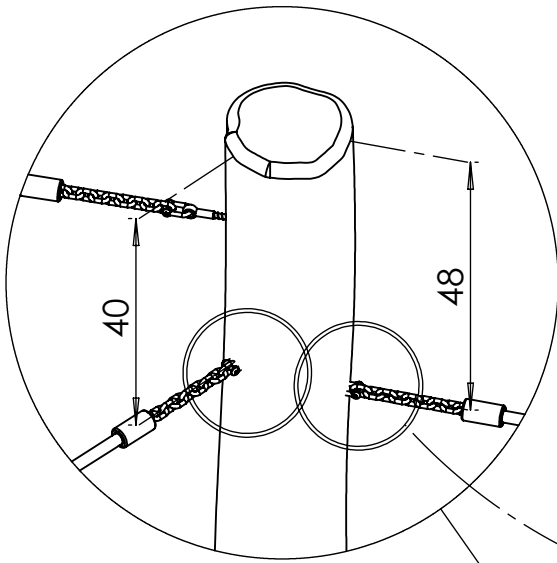
vinci
play



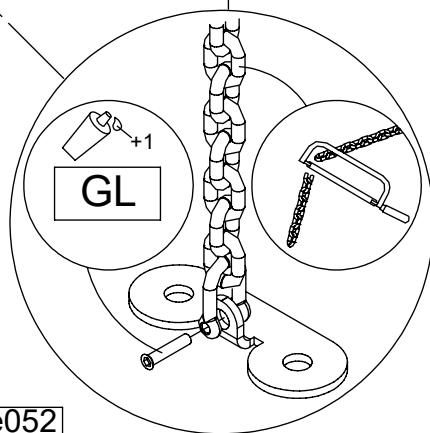
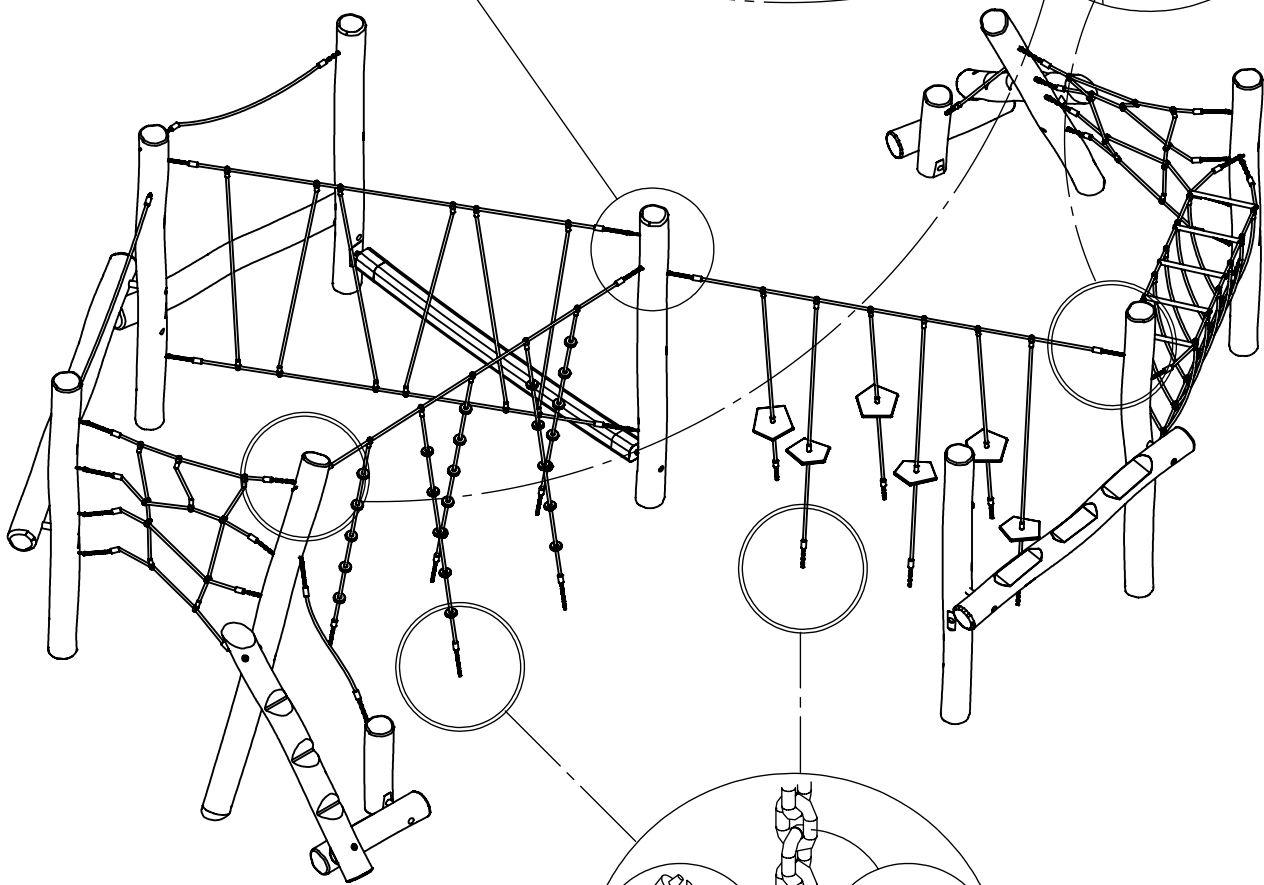
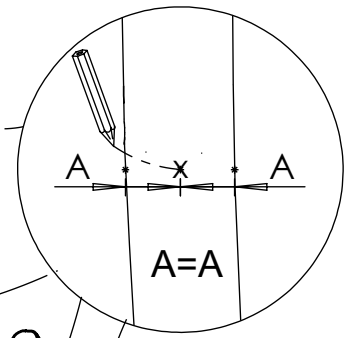
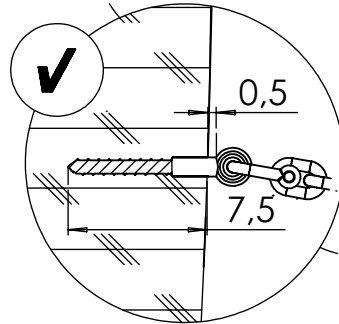
2x 12e007

vinci
play

[cm]



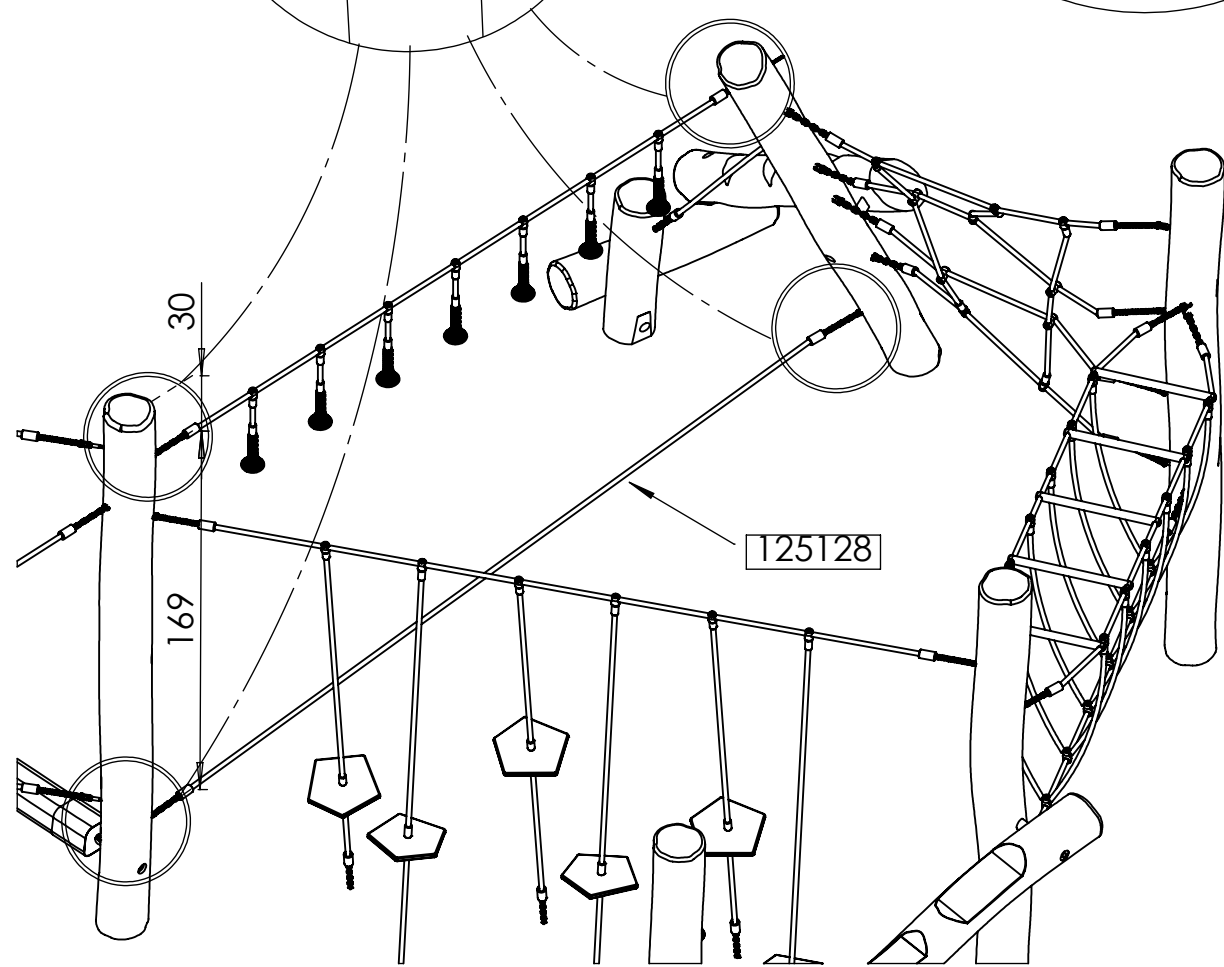
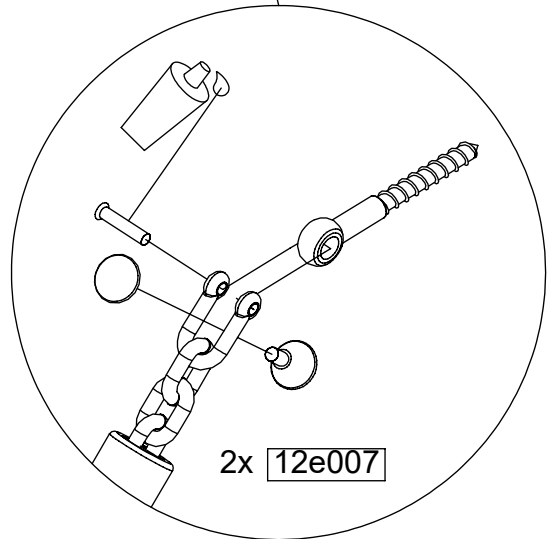
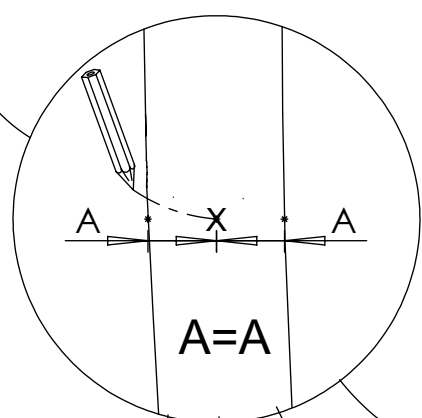
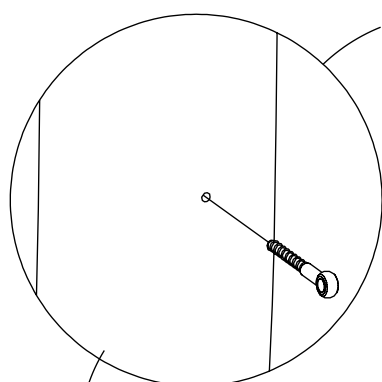
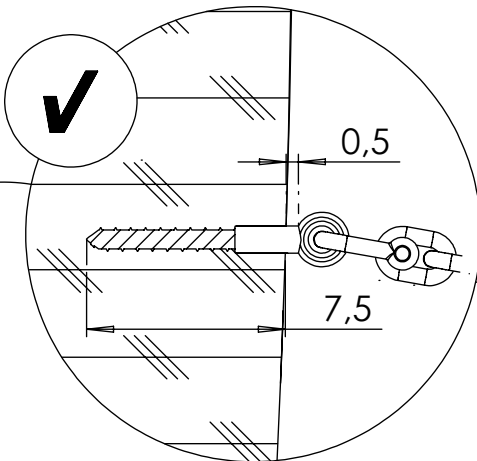
2x 12e007



11x 12e052

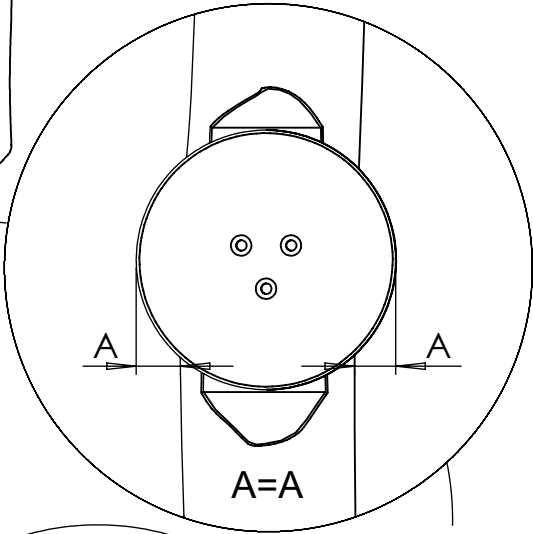
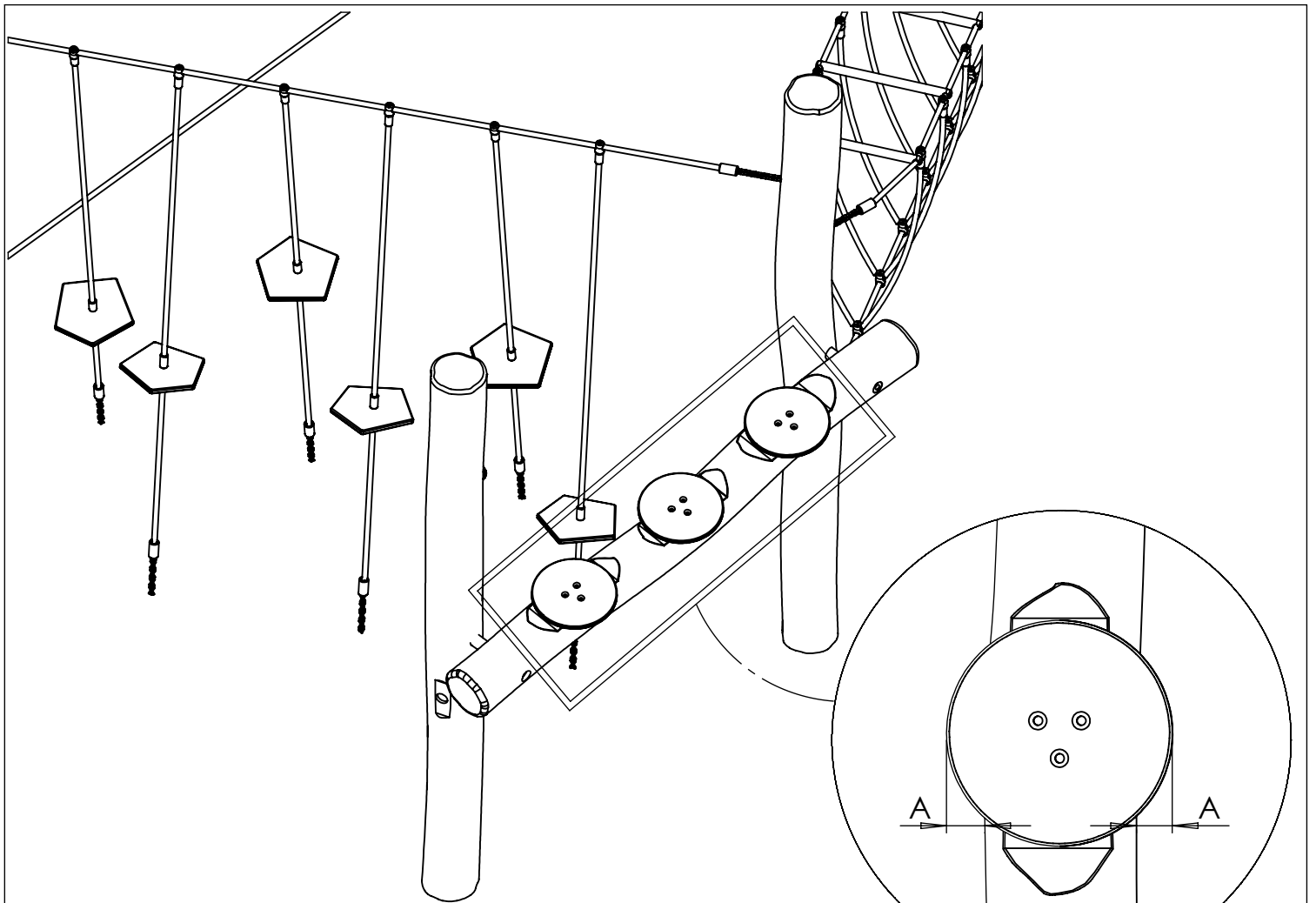
[cm]

vinci play

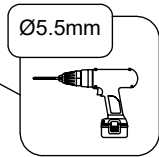
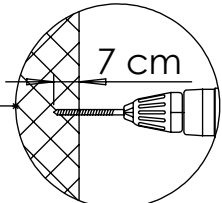
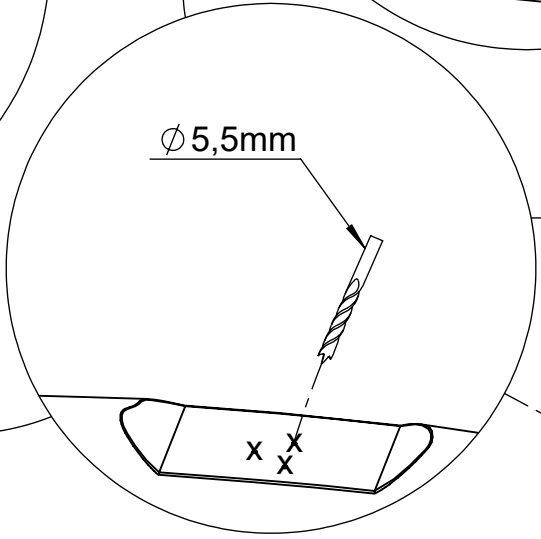
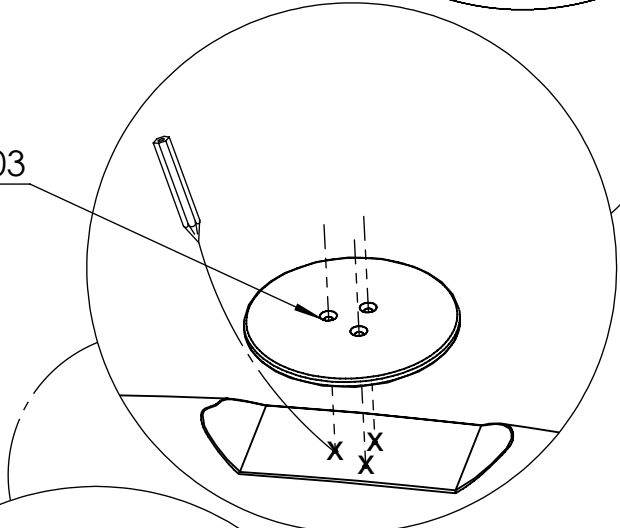
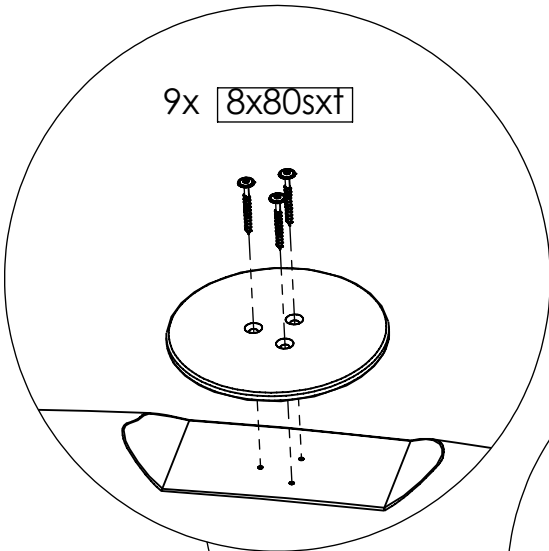


[cm]

vinci
play



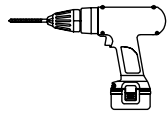
121103



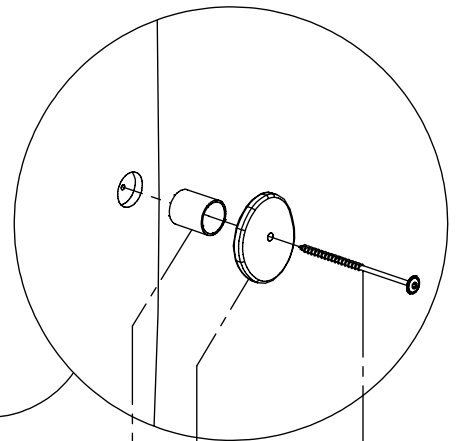
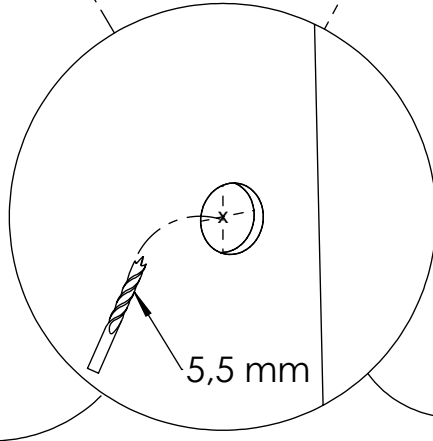
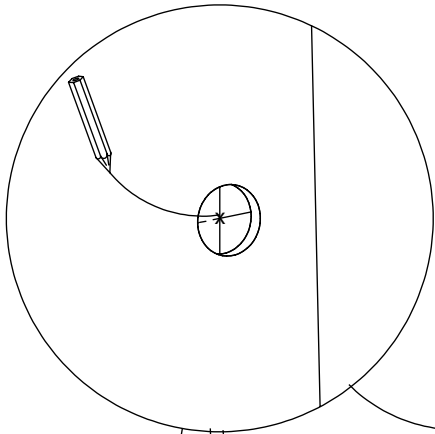
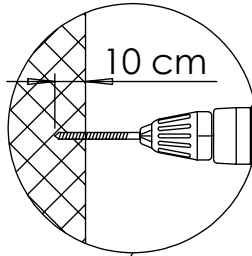
[cm]

vinci play

Ø5.5mm



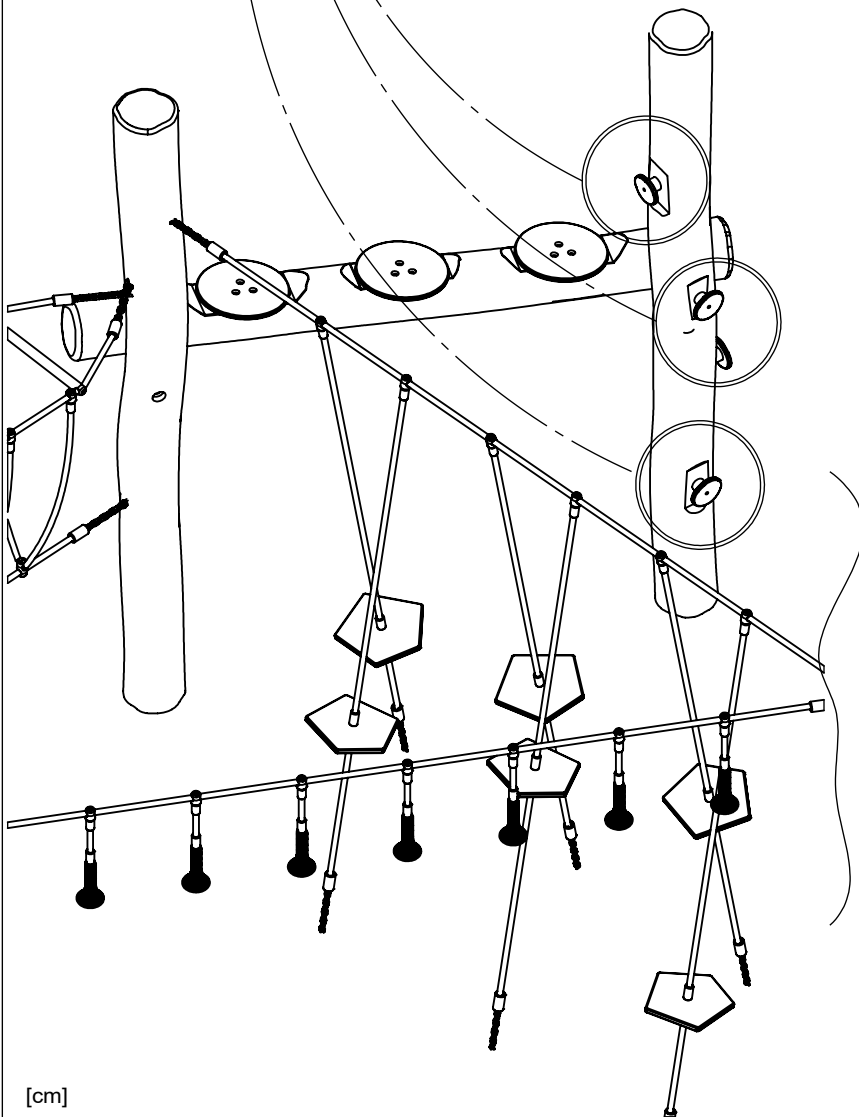
10 cm



4x 8x160sxt

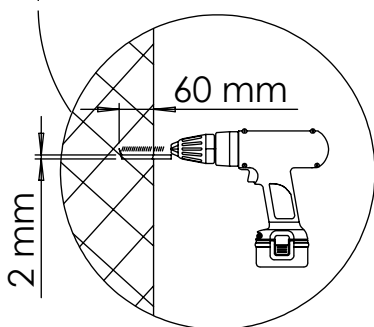
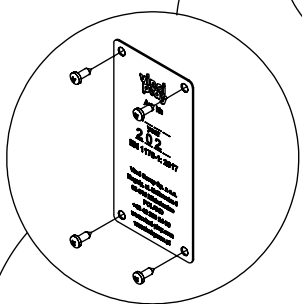
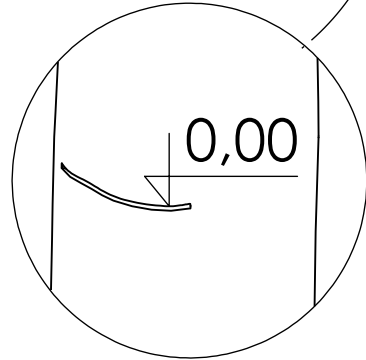
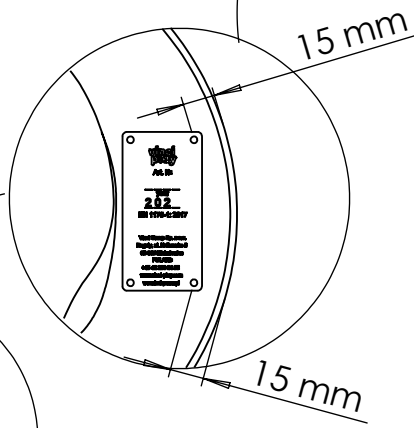
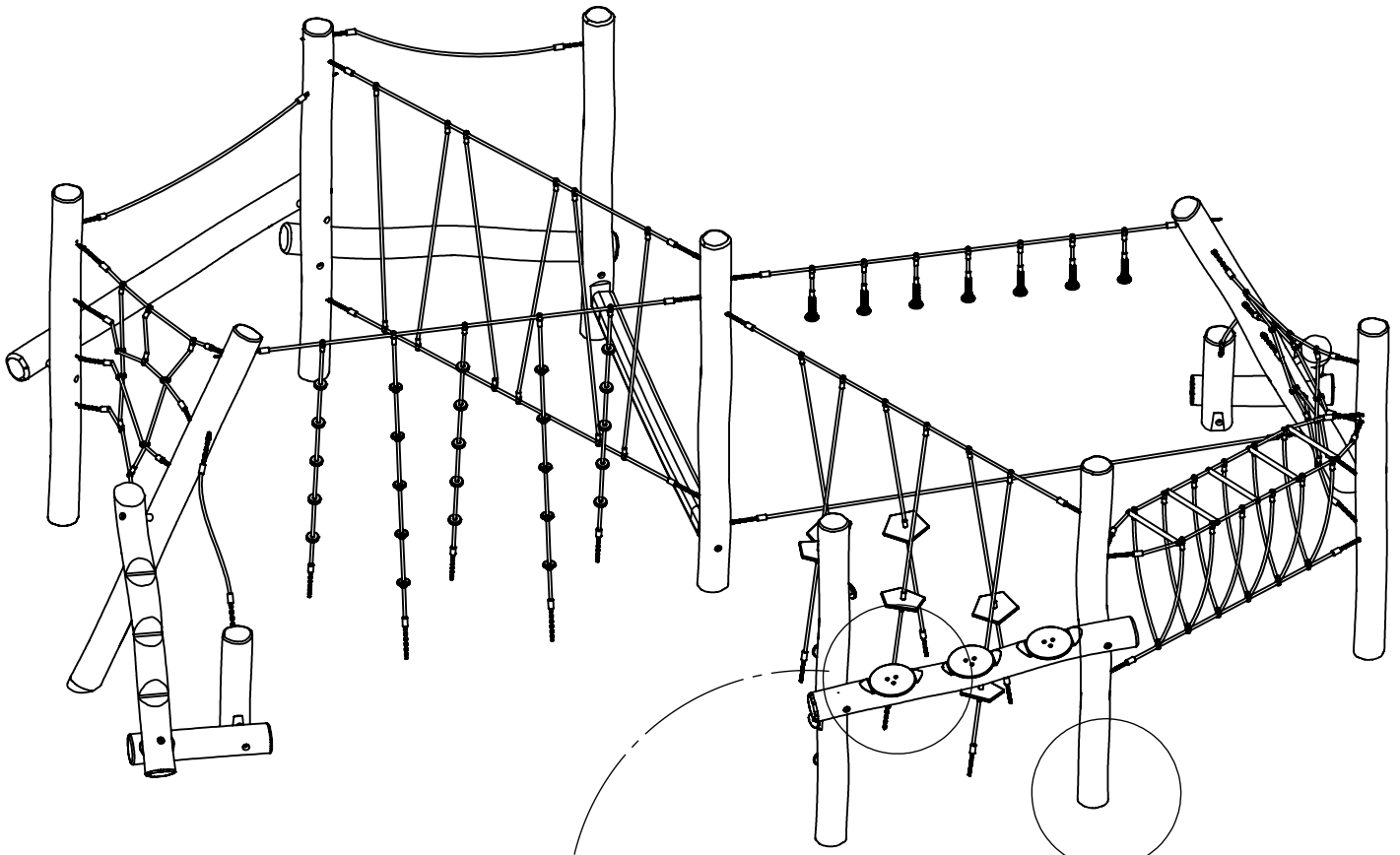
4x 121110

4x 123103

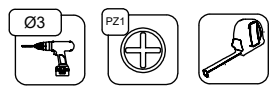
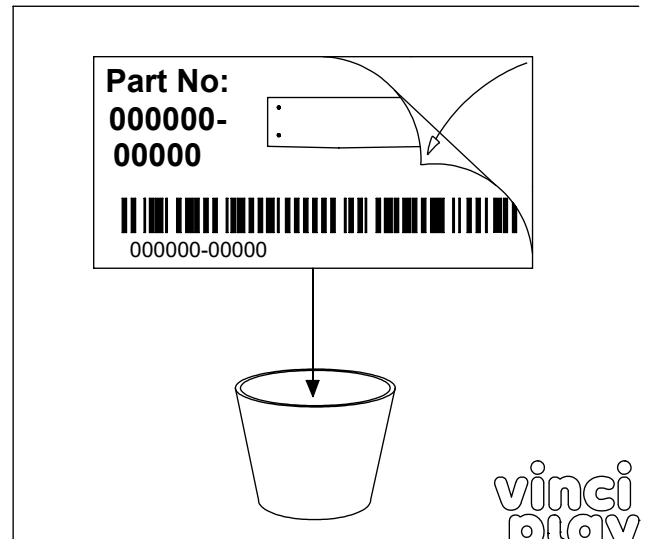


[cm]

vinci
play



V001



[cm]

vinci play