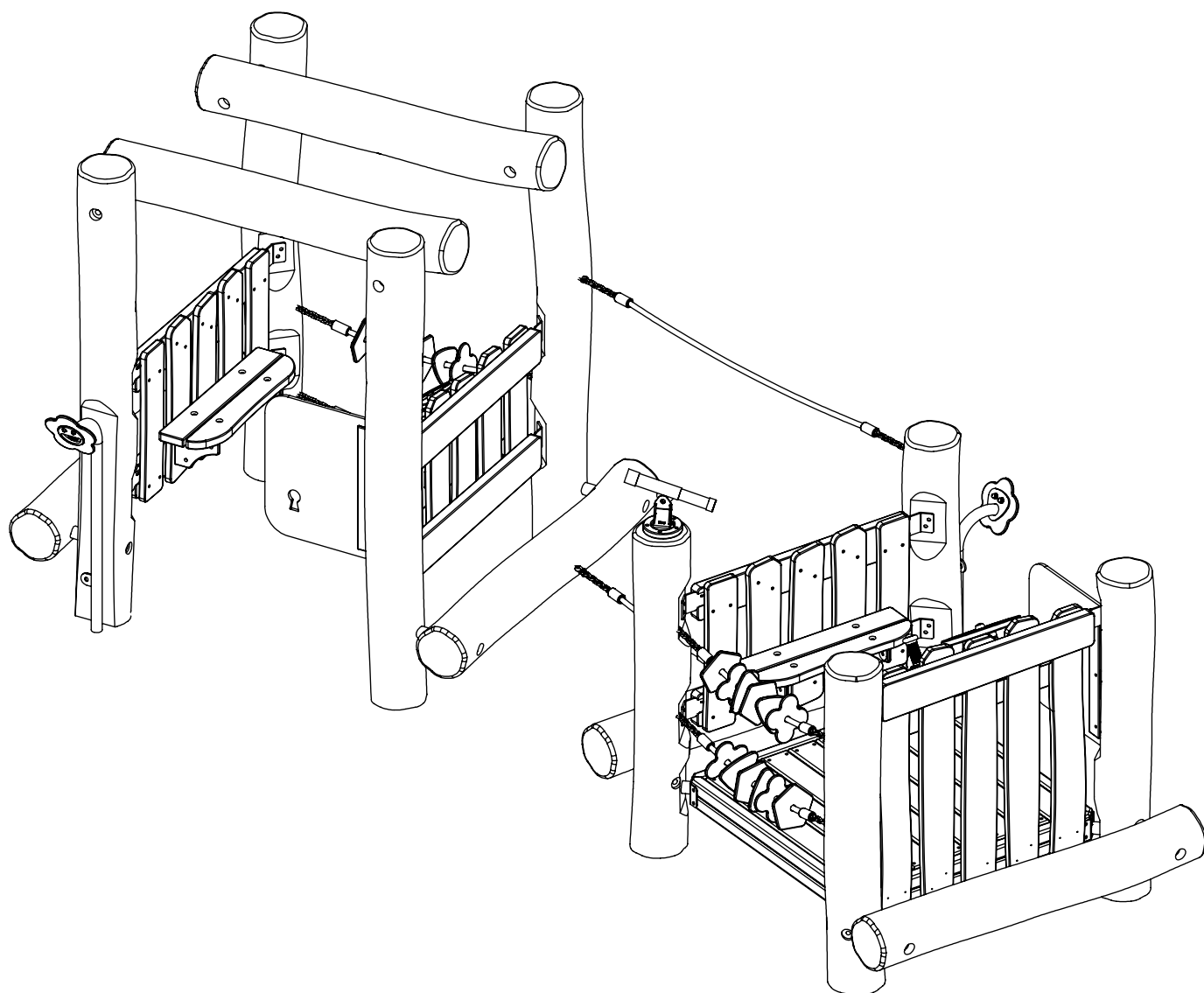
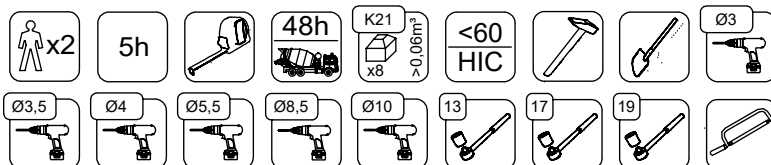


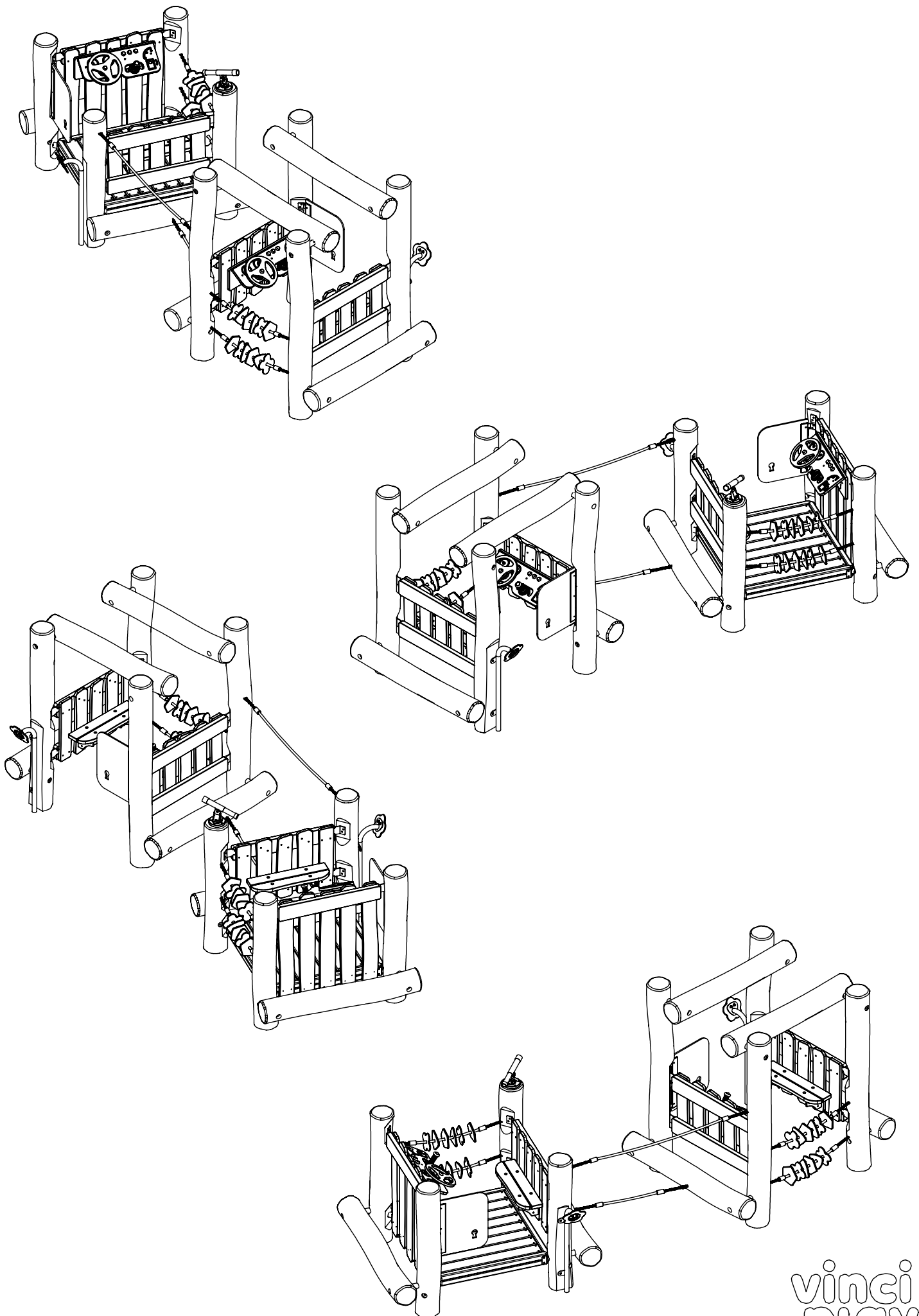
RB1245



v010
05.08.2021
D.P.
[cm]

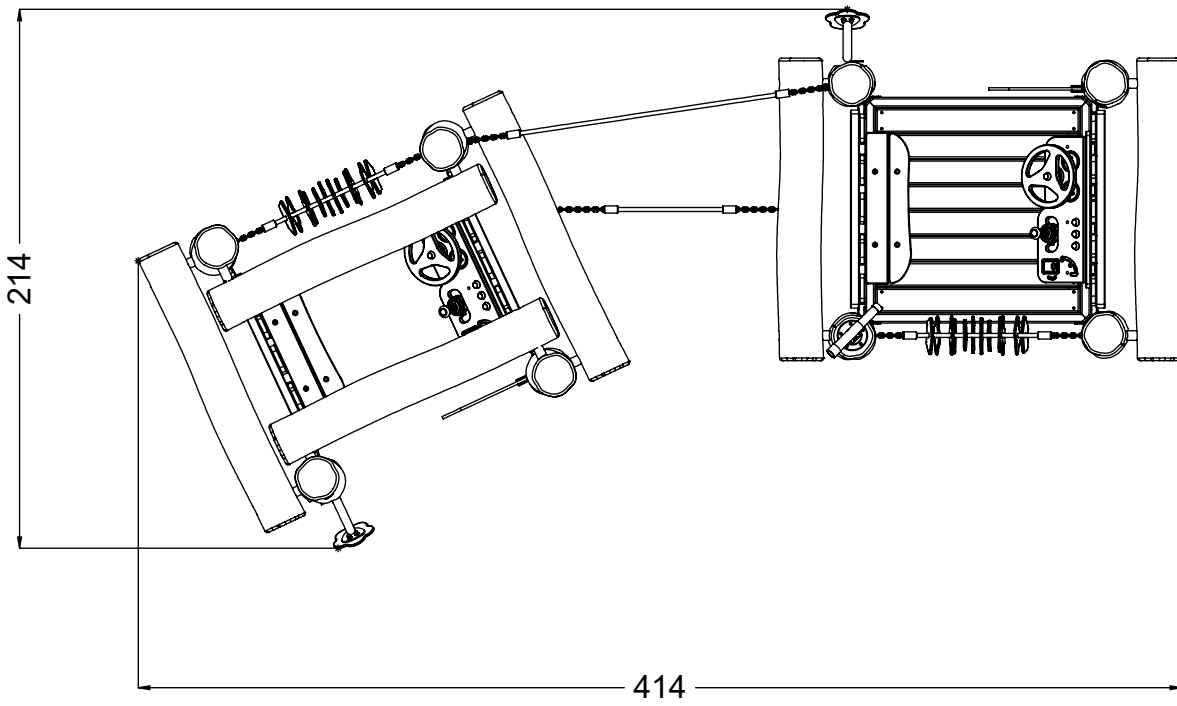
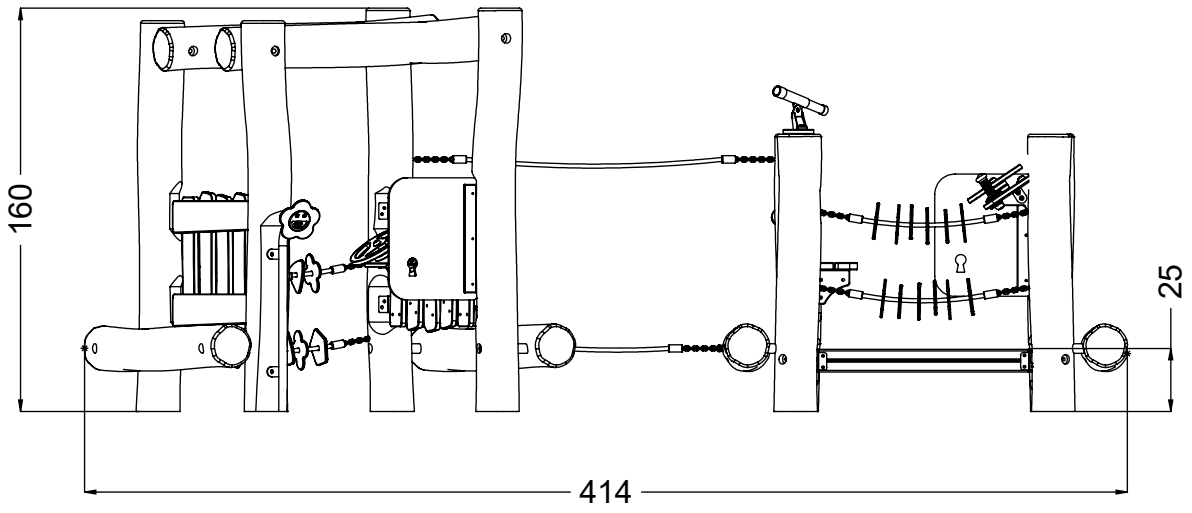


vinci
play



[cm]

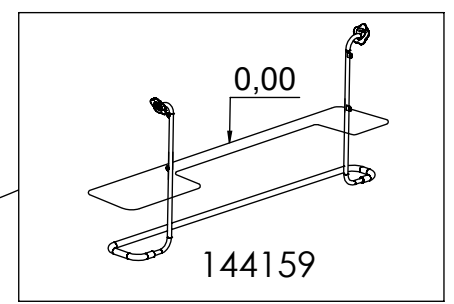
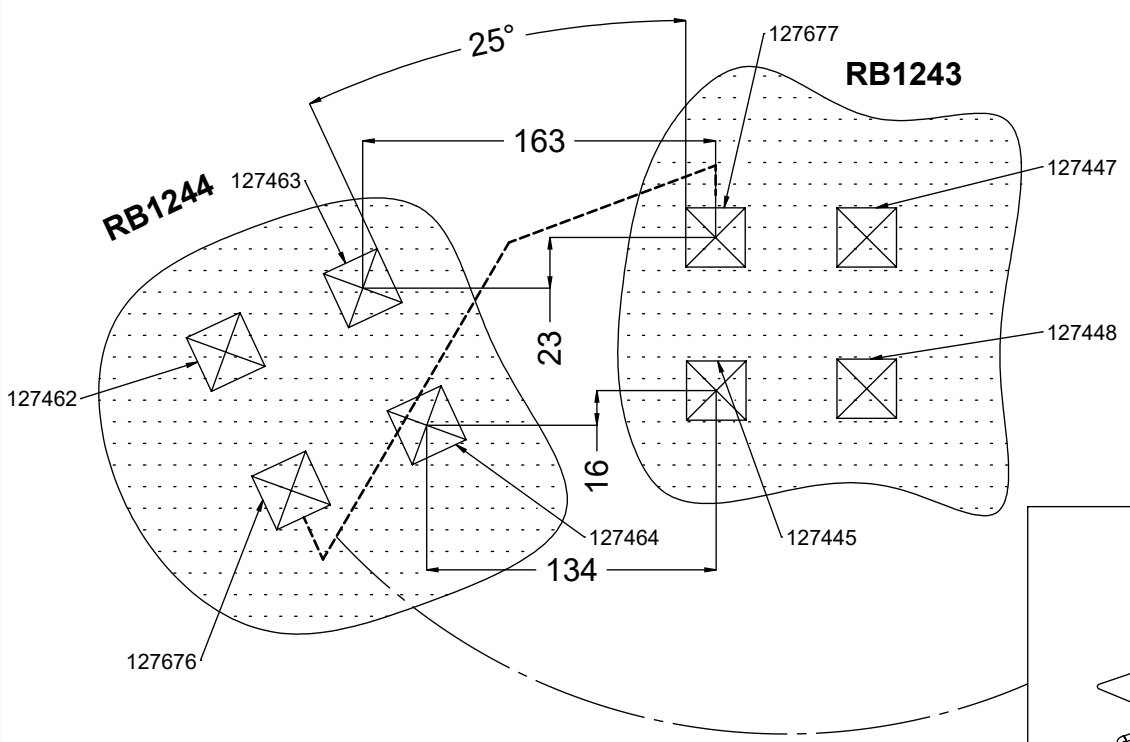
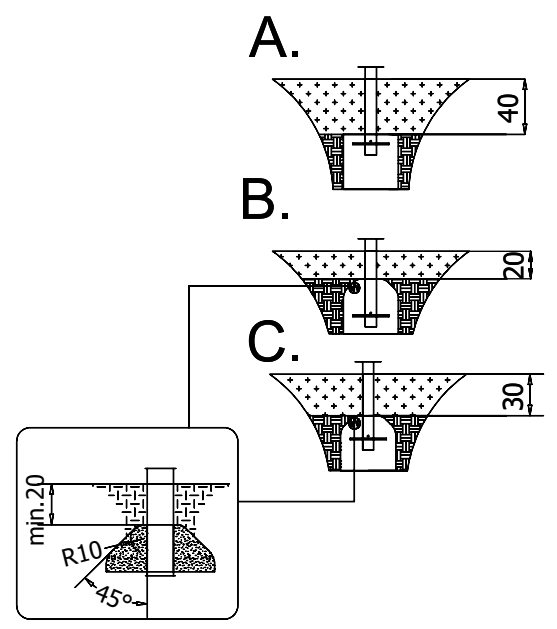
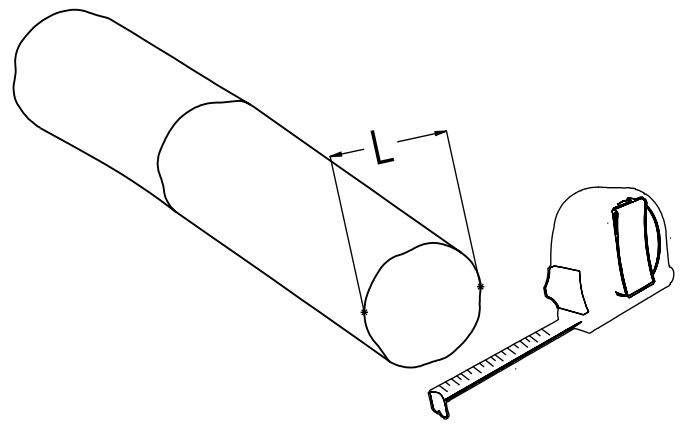
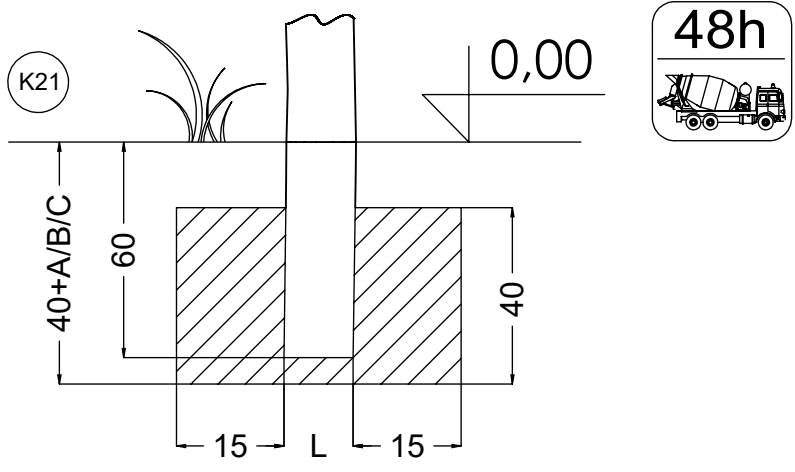
vinci
play



[cm]



vinci
play

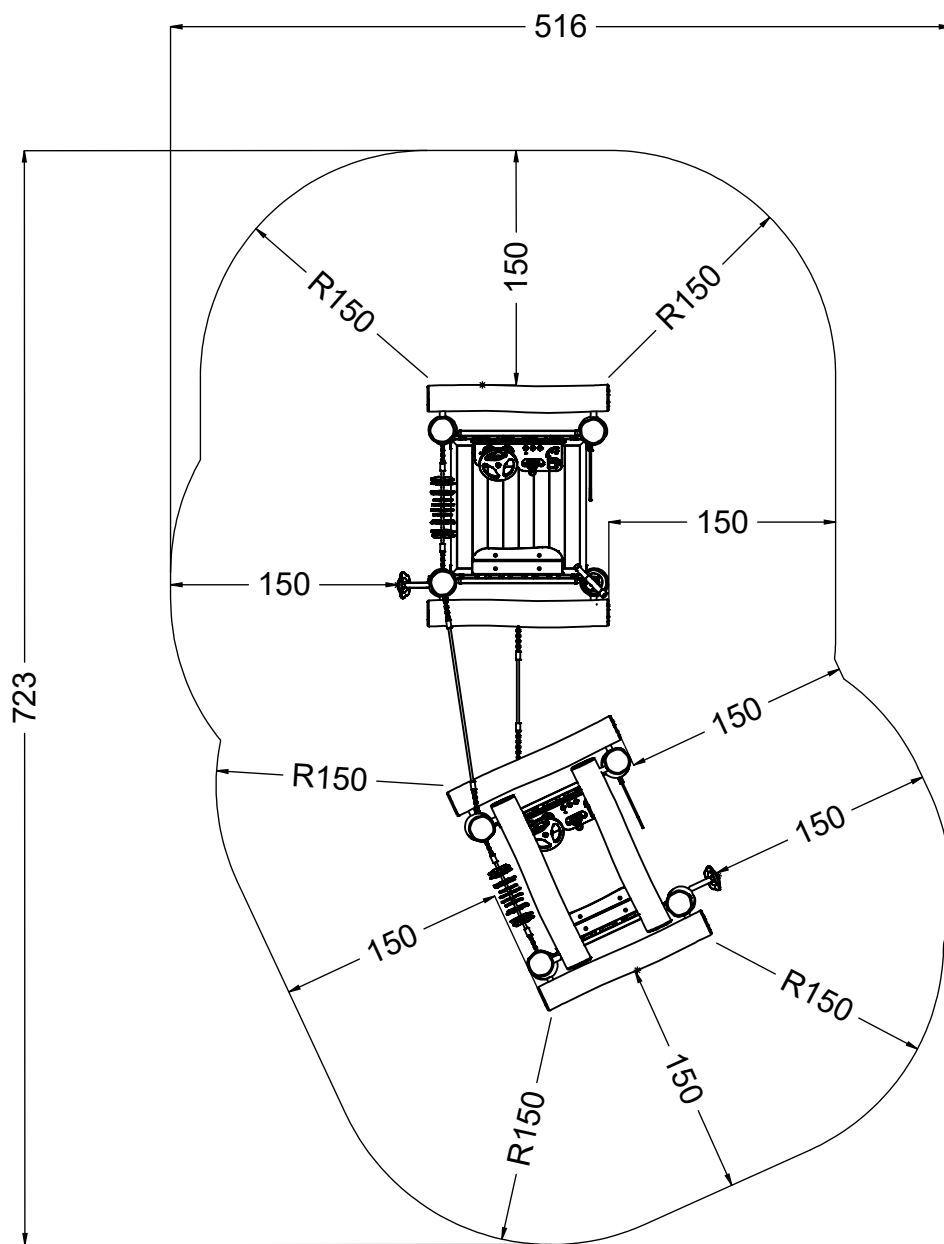


[cm]

x2
 5h

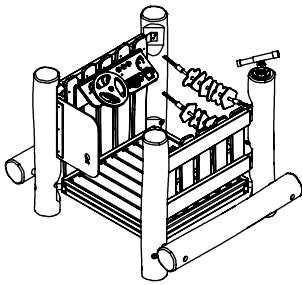
 48h
 K21 x8 >0,06m³

vinci
play

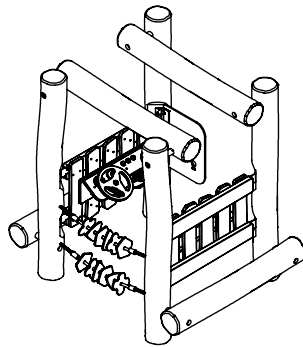


[cm]

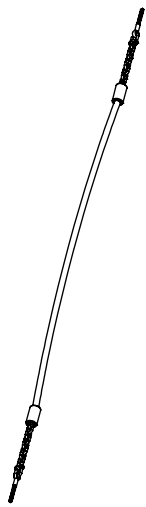
vinci
play



RB1243
x1



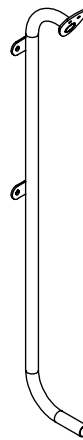
RB1244
x1



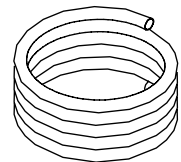
125131
x1



125135
x1

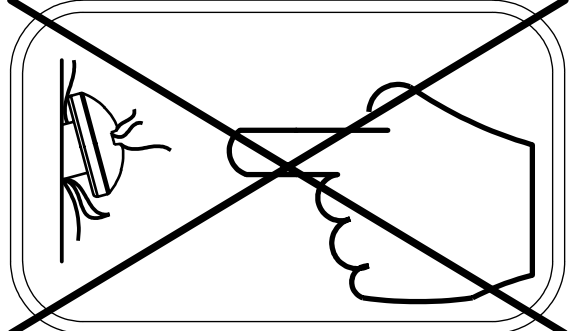
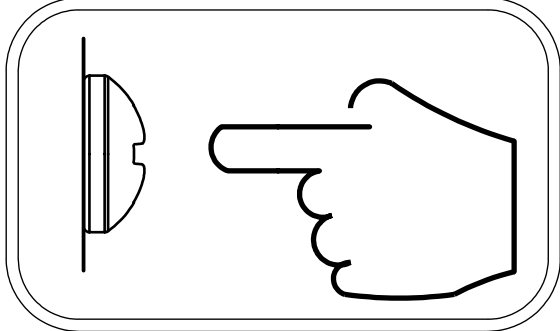
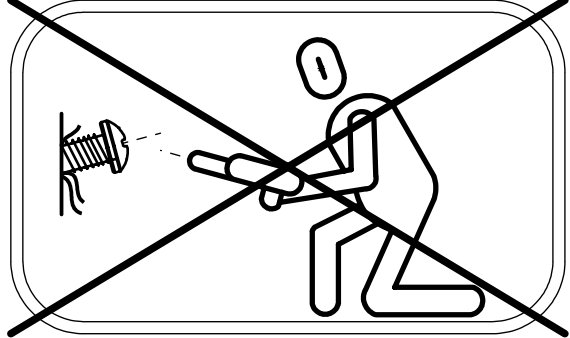


142121
x2

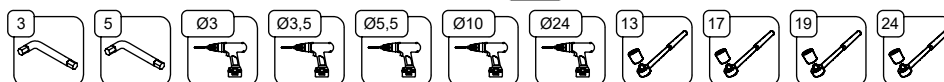
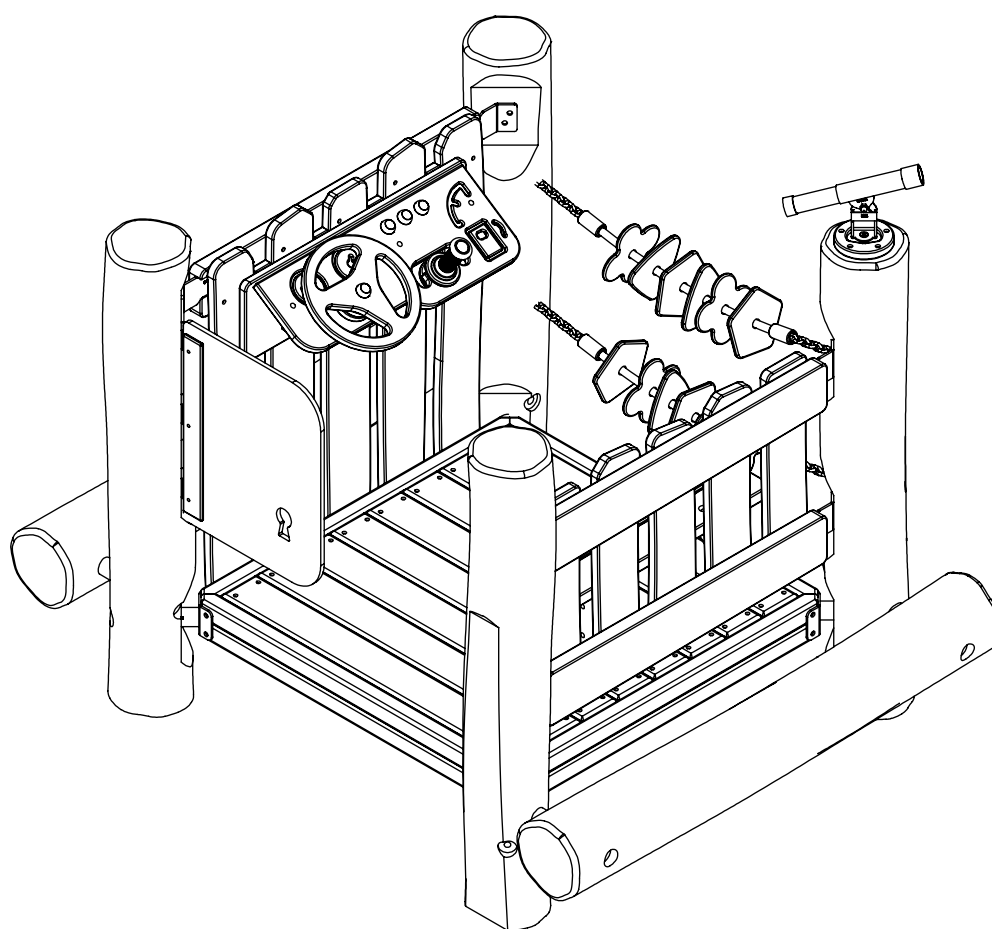


996115
x1

4x	8x50sxi
2x	12e007
2x	12e076
2x	Z18
1x	V001

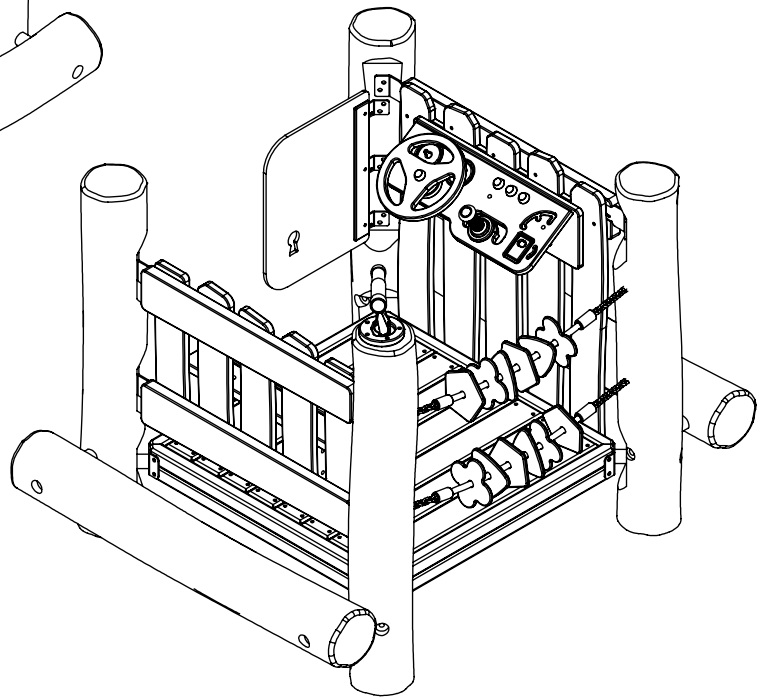
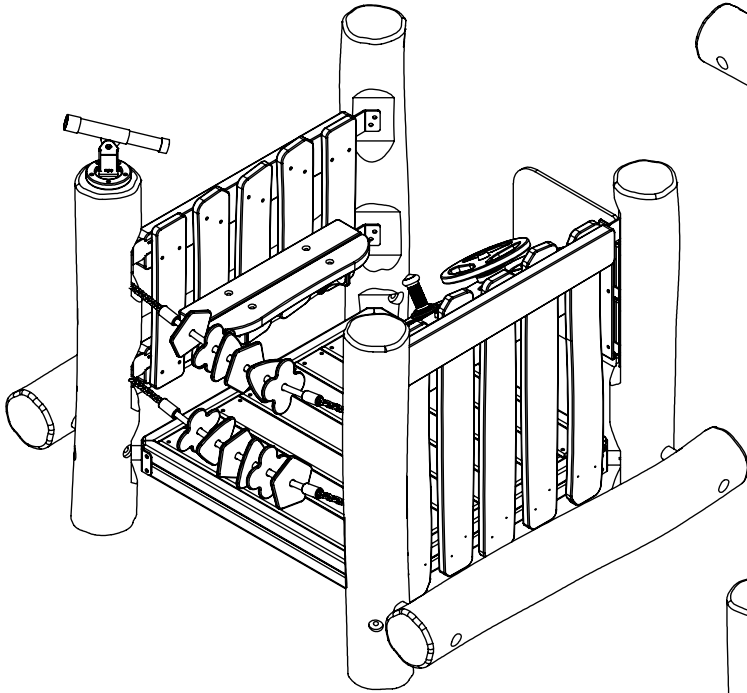
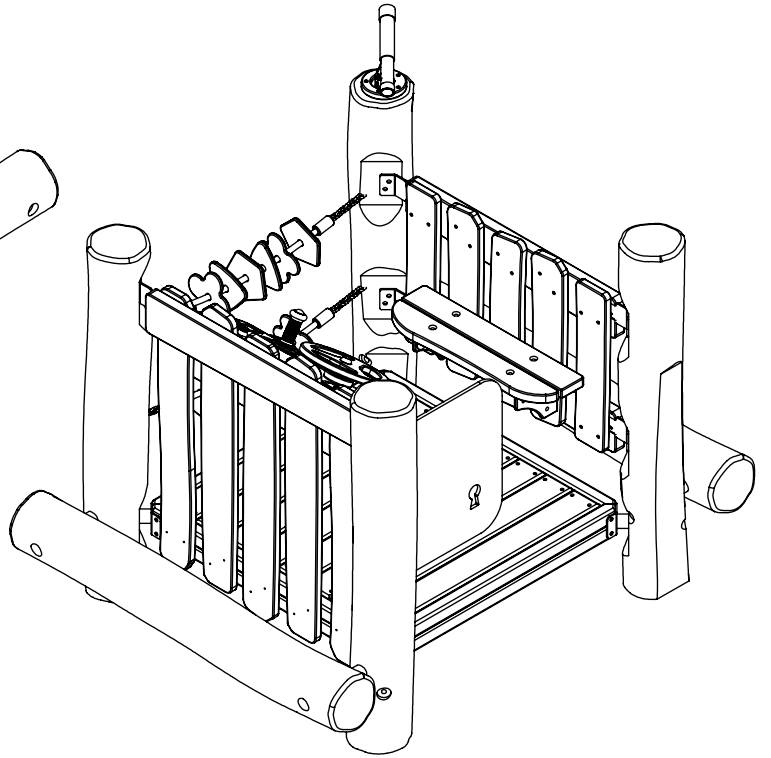
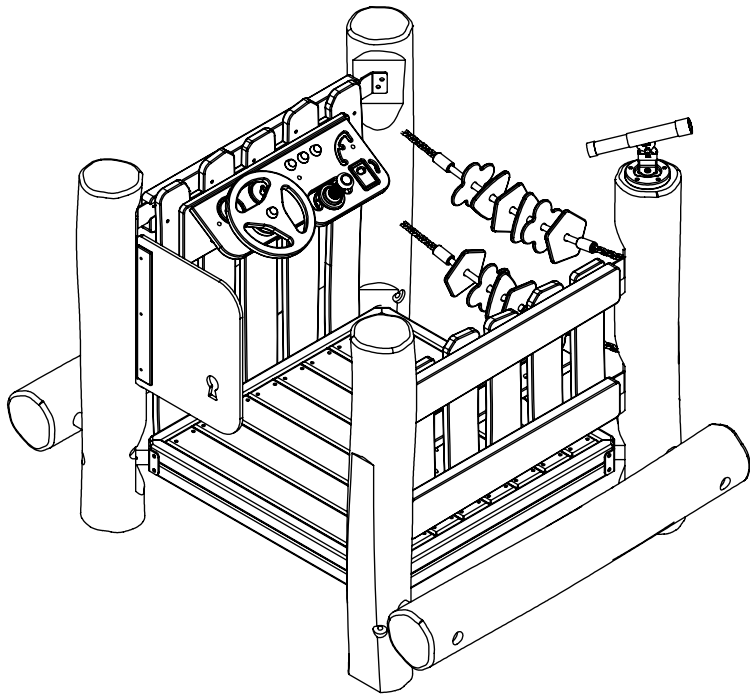


RB1243



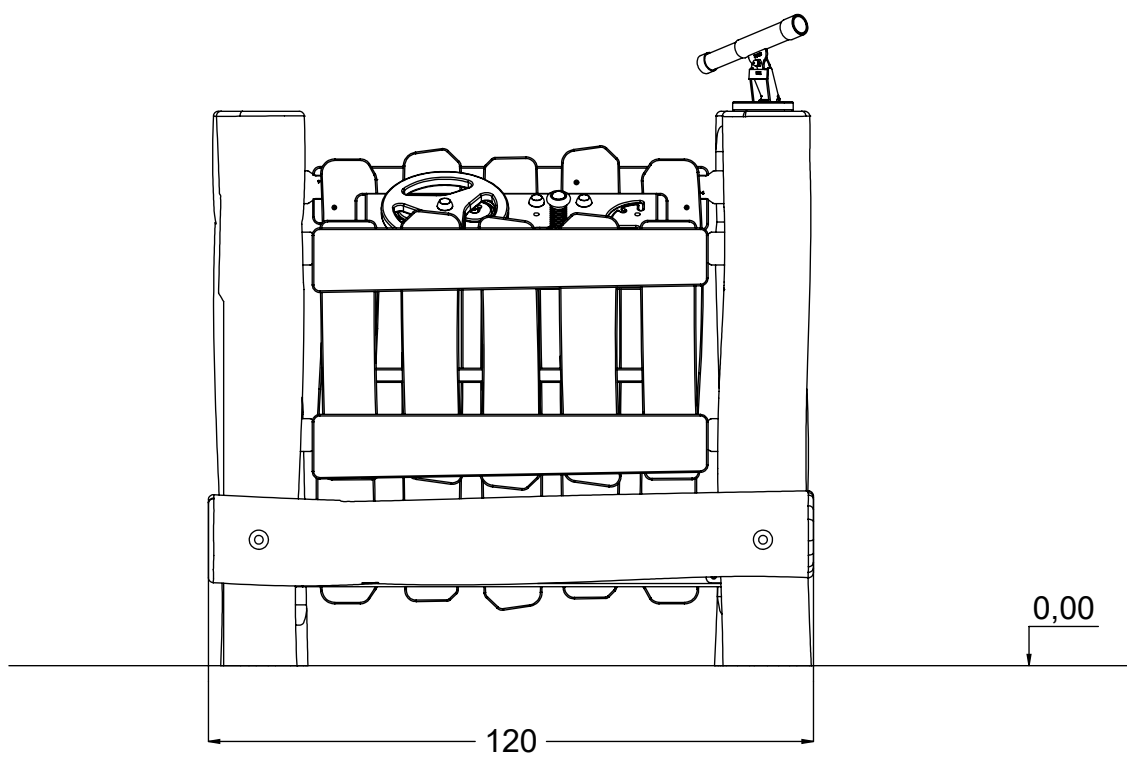
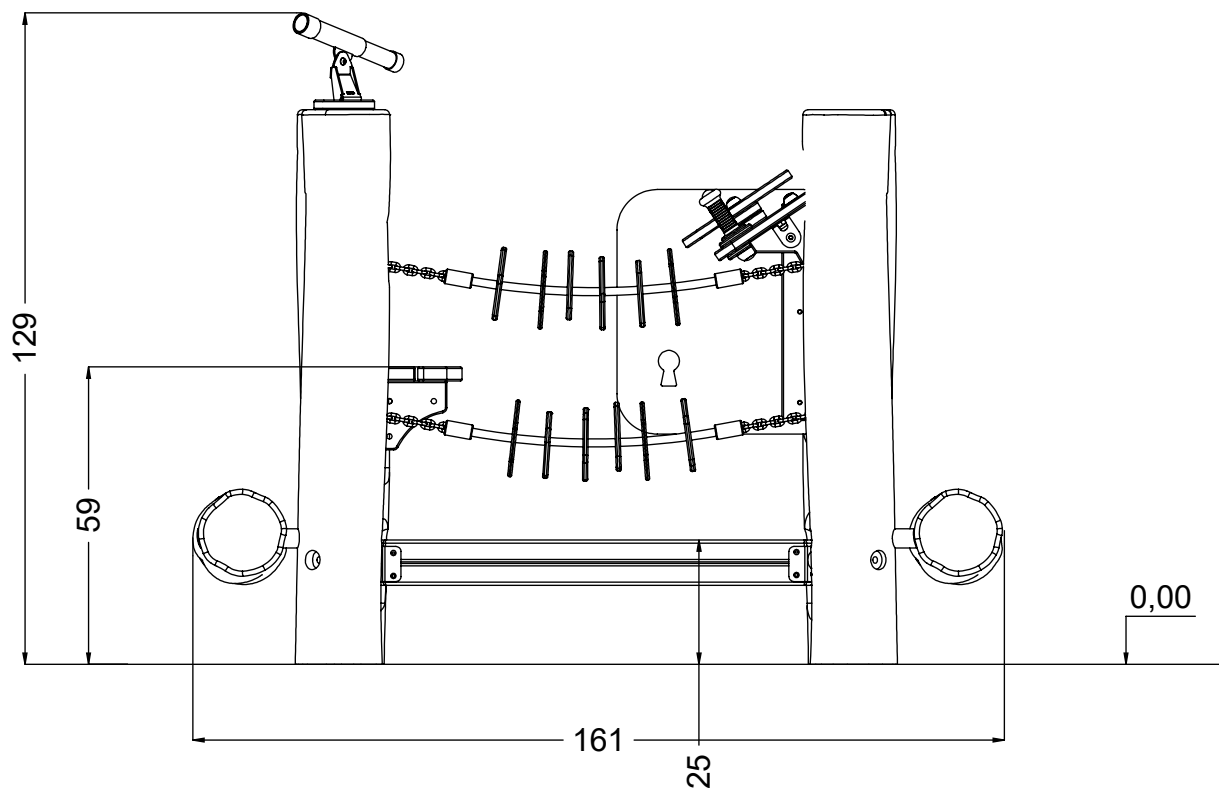
[cm]

vinci
play



[cm]

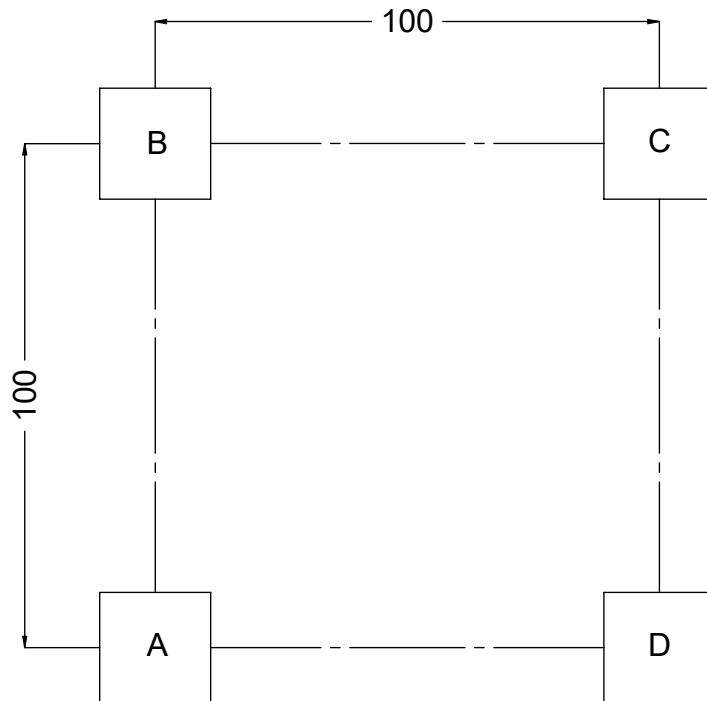
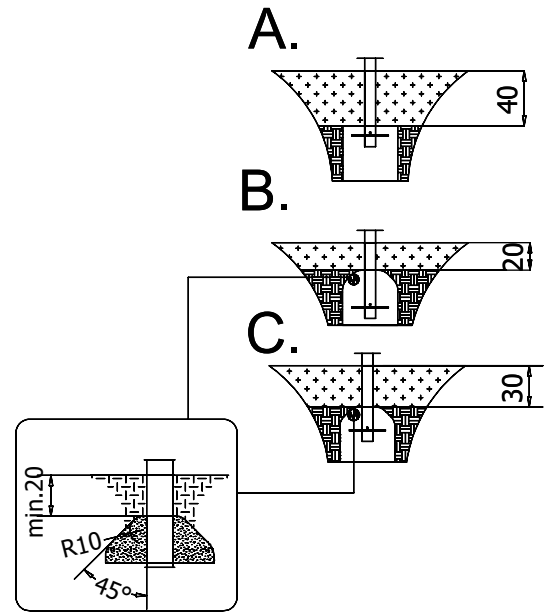
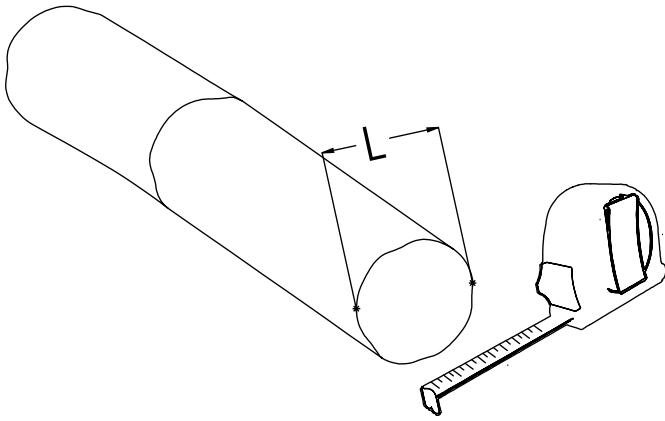
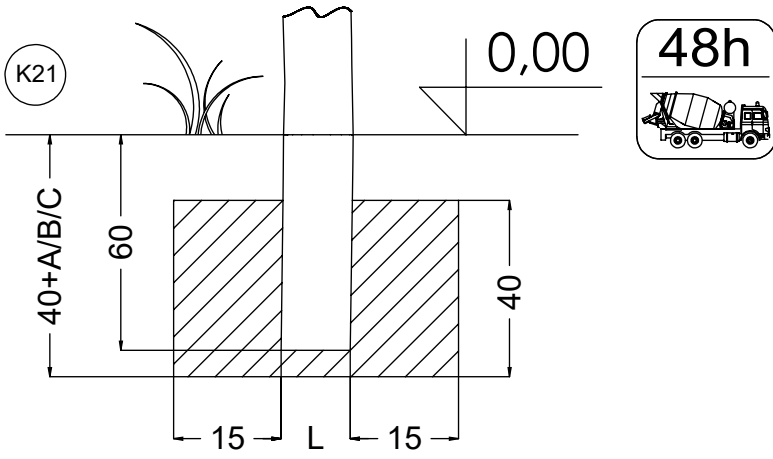
vinci
play



[cm]



vinci
play



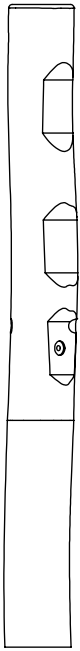
[cm]



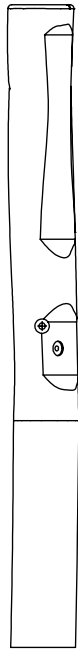
2h



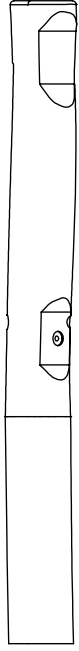
vinci
play



127677 (A)
x1



127447 (B)
x1



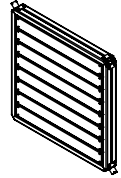
127448 (C)
x1



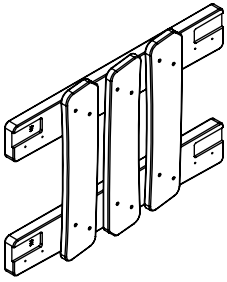
127445 (D)
x1



127460
x2



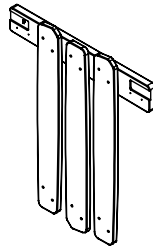
124100
x1



124111
x1



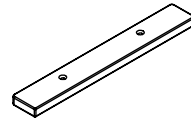
128194
x2



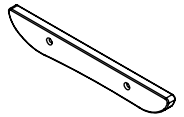
124104
x1



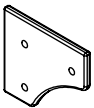
128181
x2



128102
x1



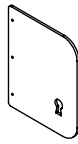
128106
x1



121100
x2



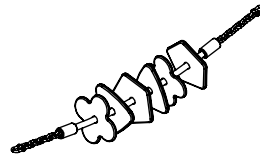
121115
x1



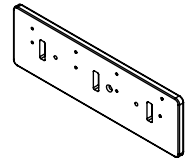
126103
x1



121116
x1



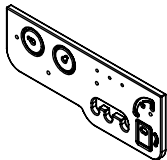
124112
x2



121144
x1



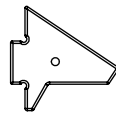
124116
x1



141176
x1



141173
x1

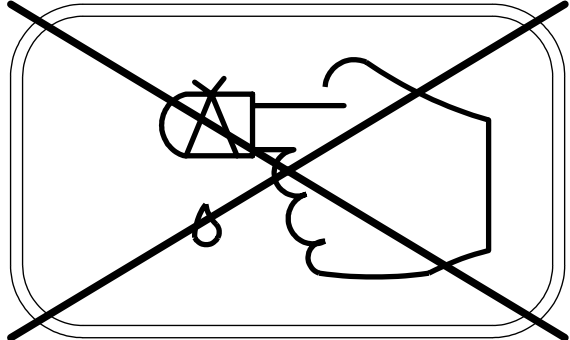
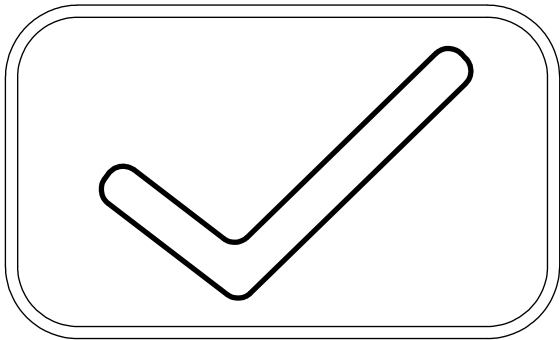
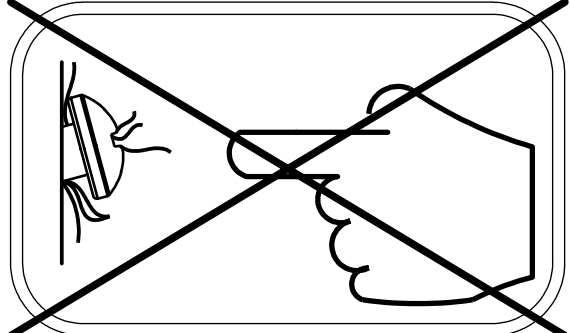
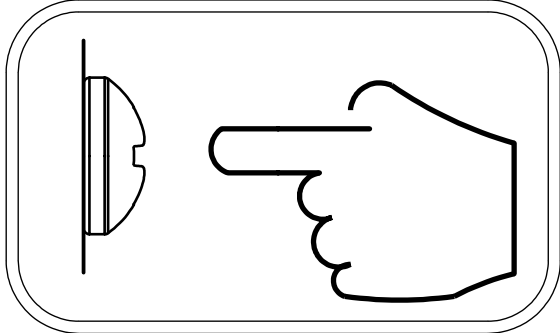
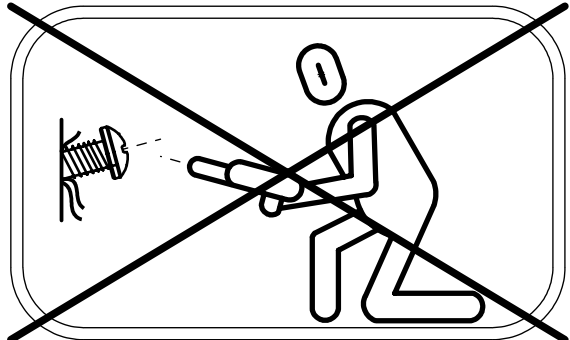
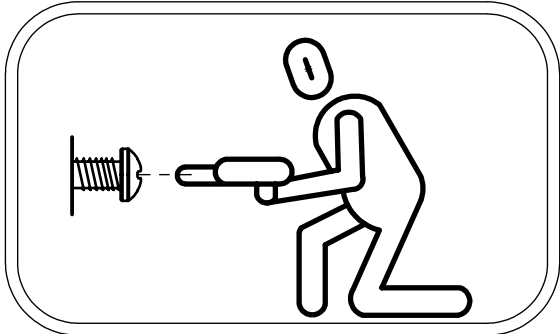


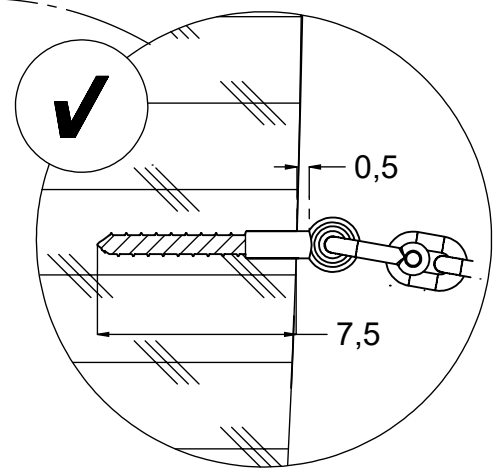
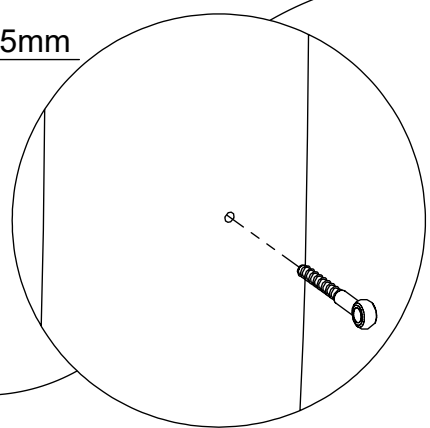
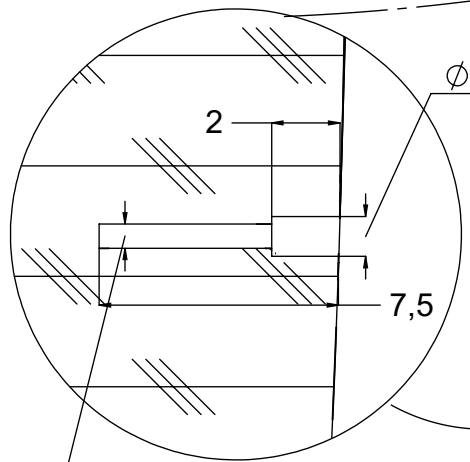
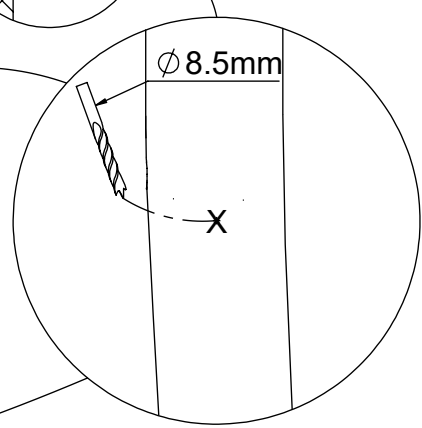
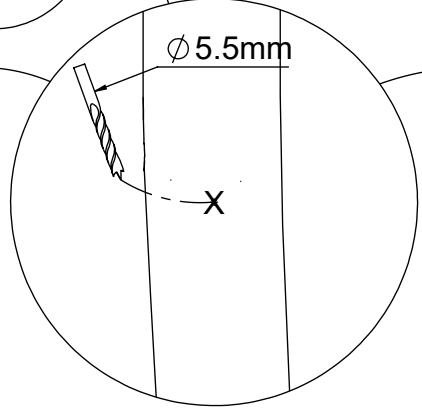
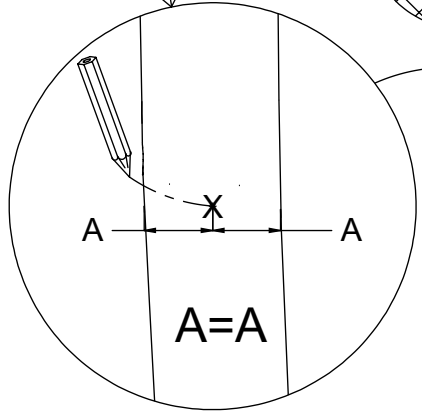
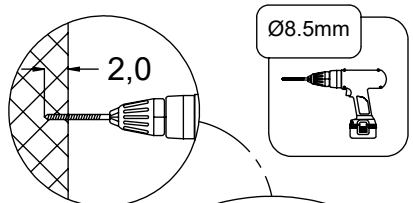
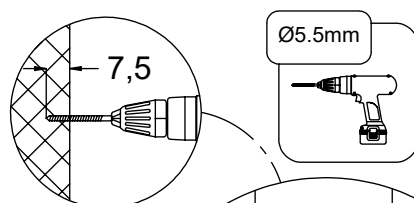
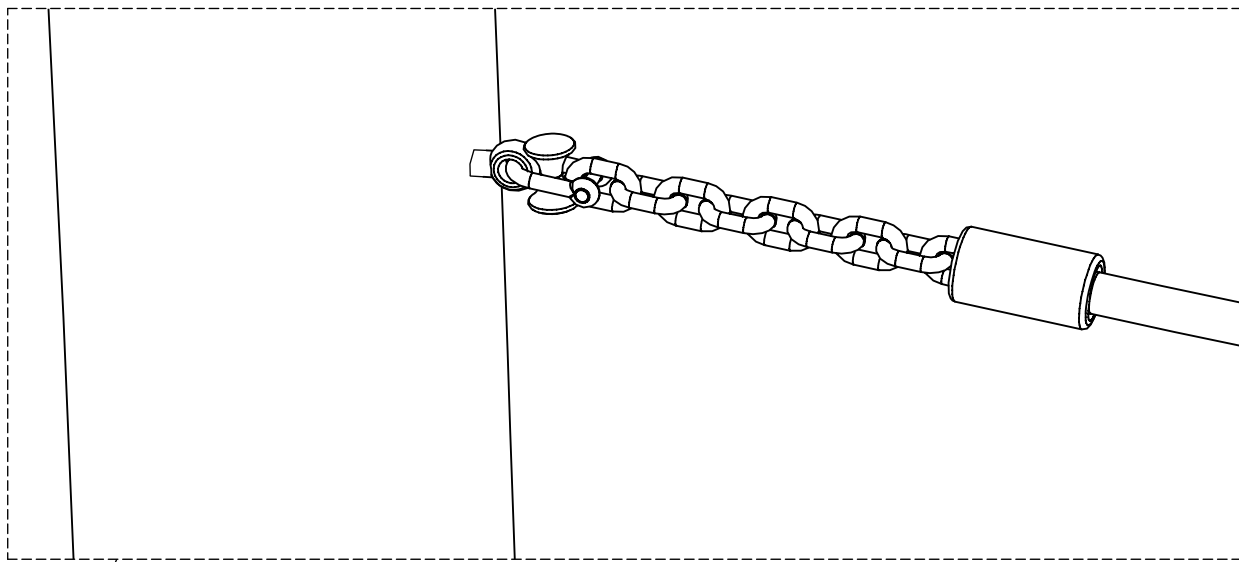
141174
x3

20x	8x50 sxi
22x	5x50 sxs
5x	5x80 sxs
18x	5x30 sxs

1x	12e004
2x	12e007
1x	12e014
1x	12e073
1x	12e074
1x	12e080
1x	12e081
2x	12e083
1x	12e101
1x	12e102
1x	12e103
6x	b389
1x	V001

vinci
play





Ø5.5 mm

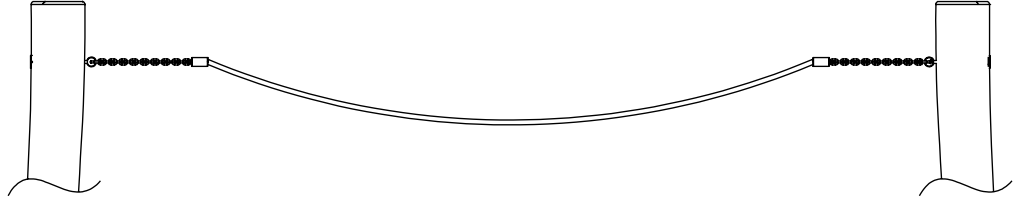
[cm]

vinci play

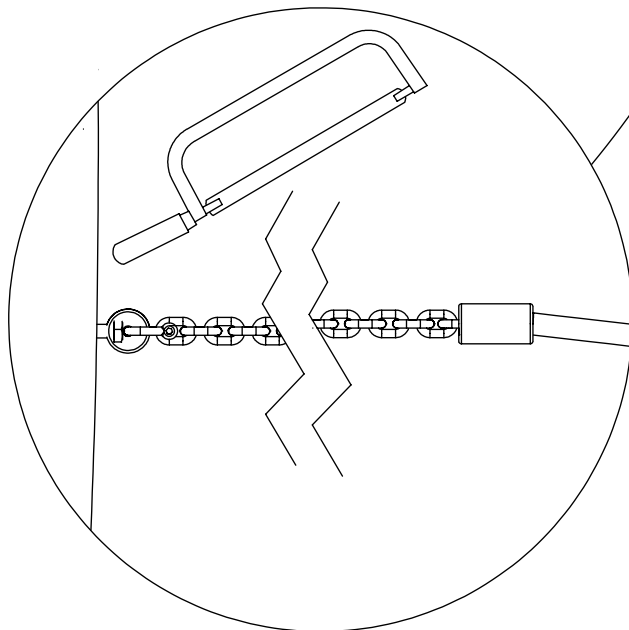
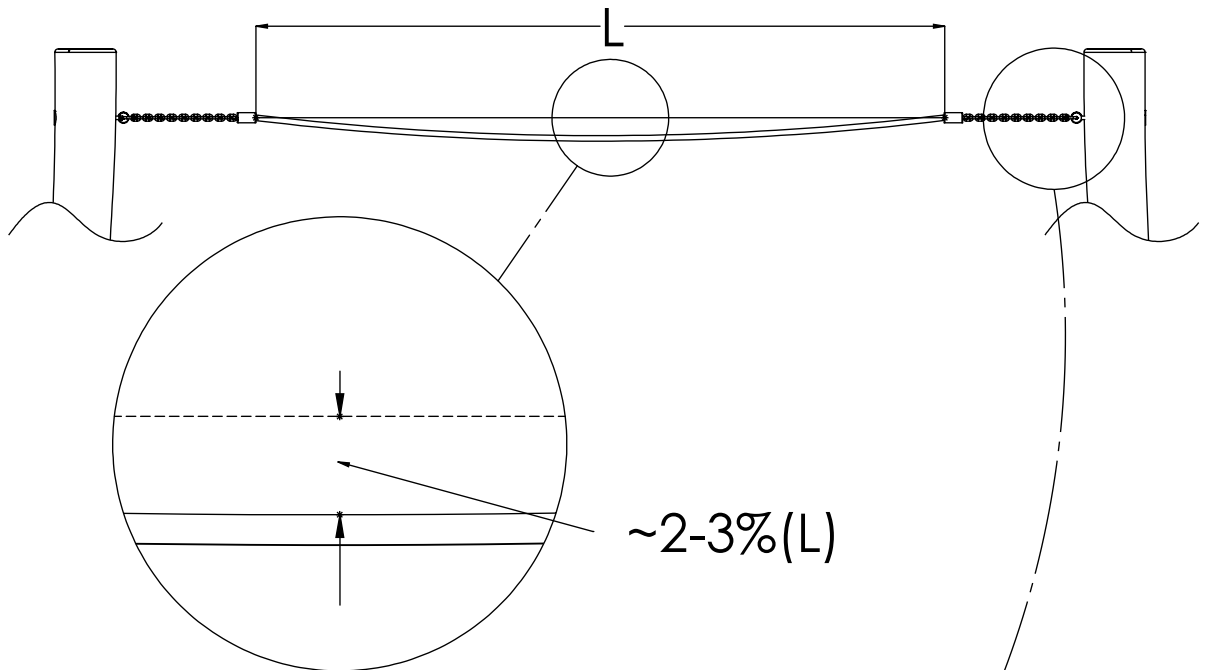
X

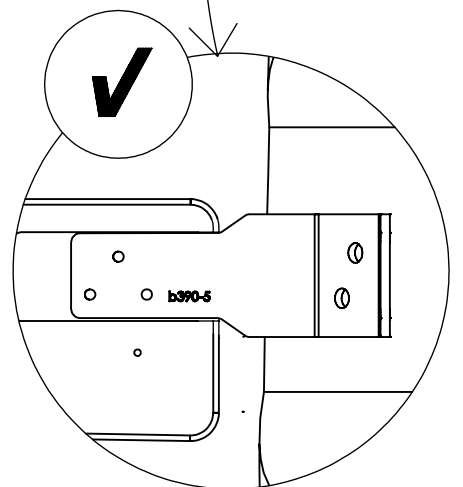
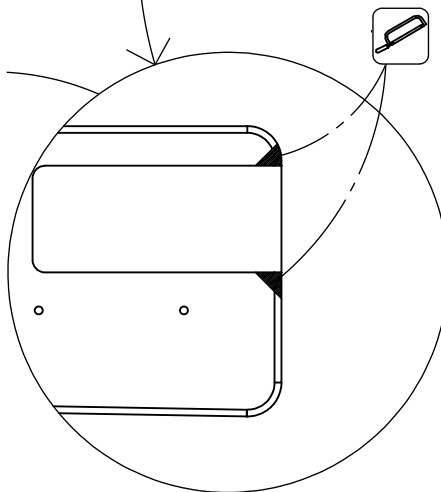
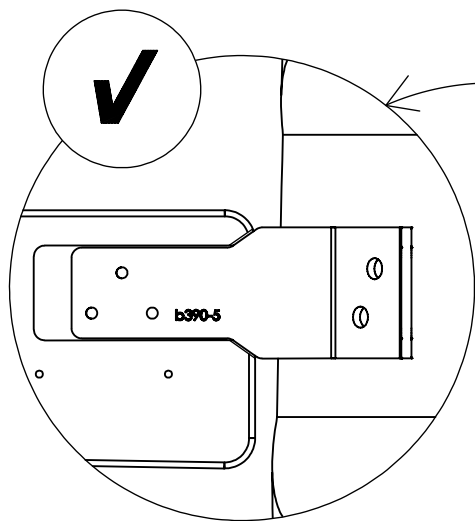
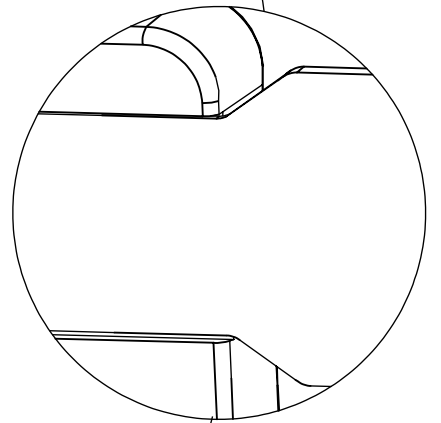
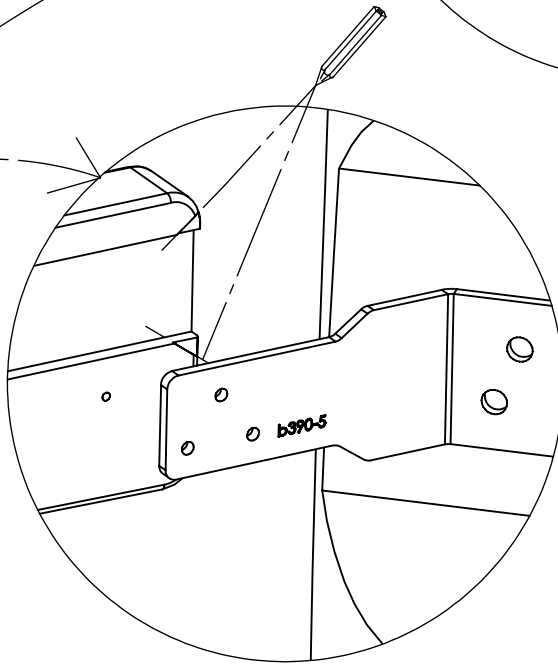
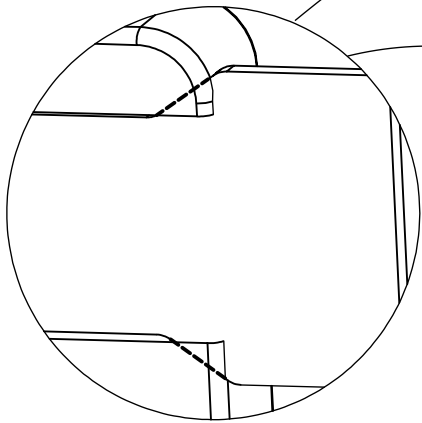
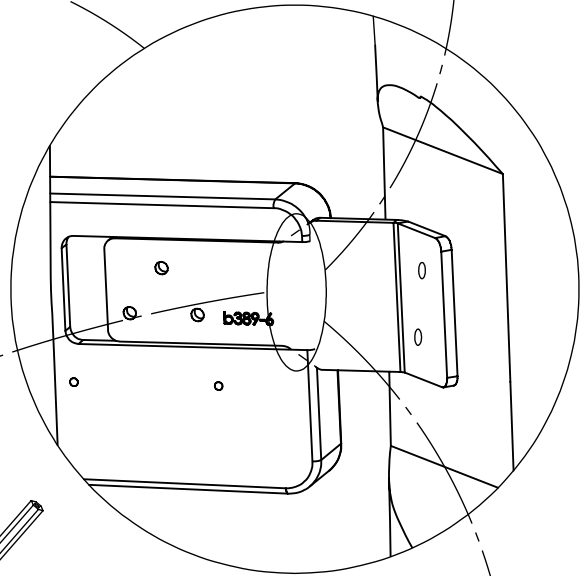
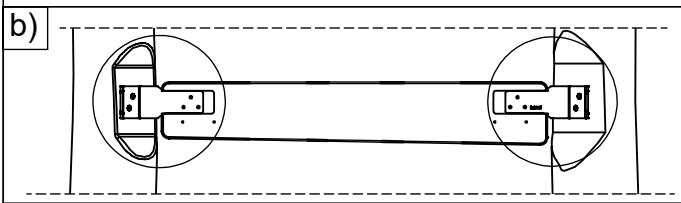
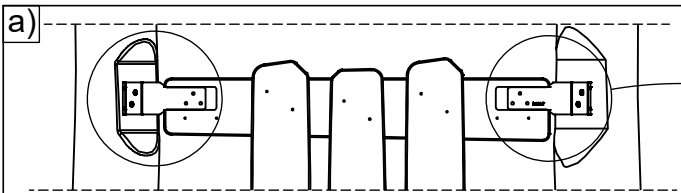


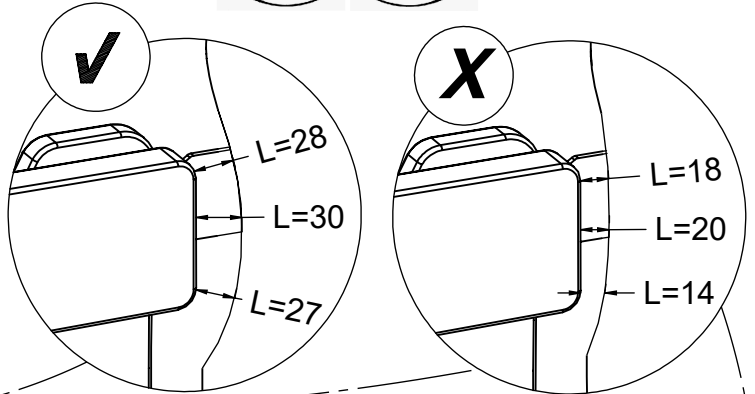
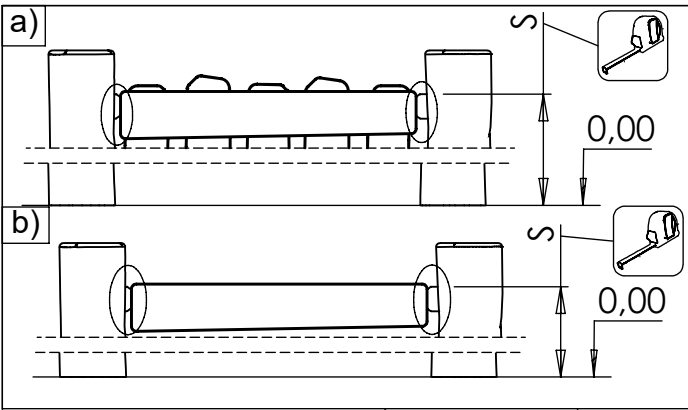
X



V



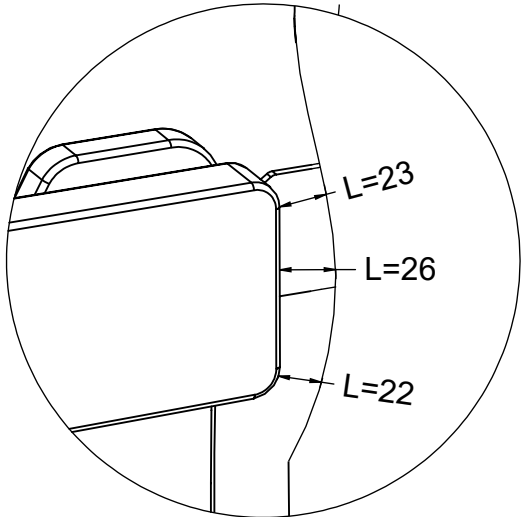




S < 97

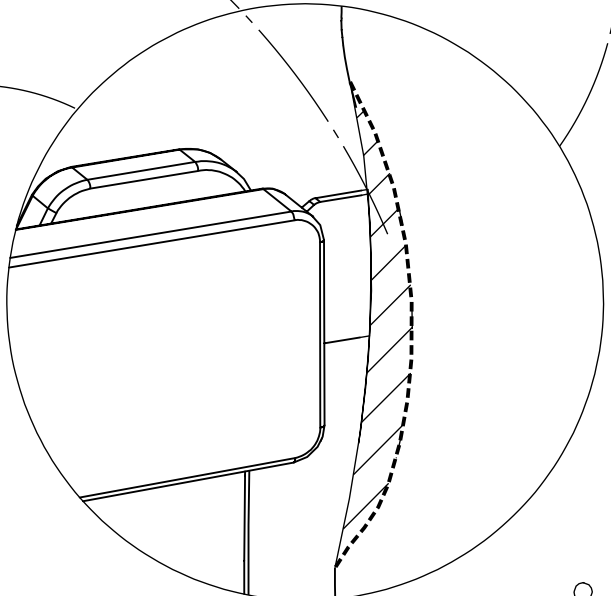
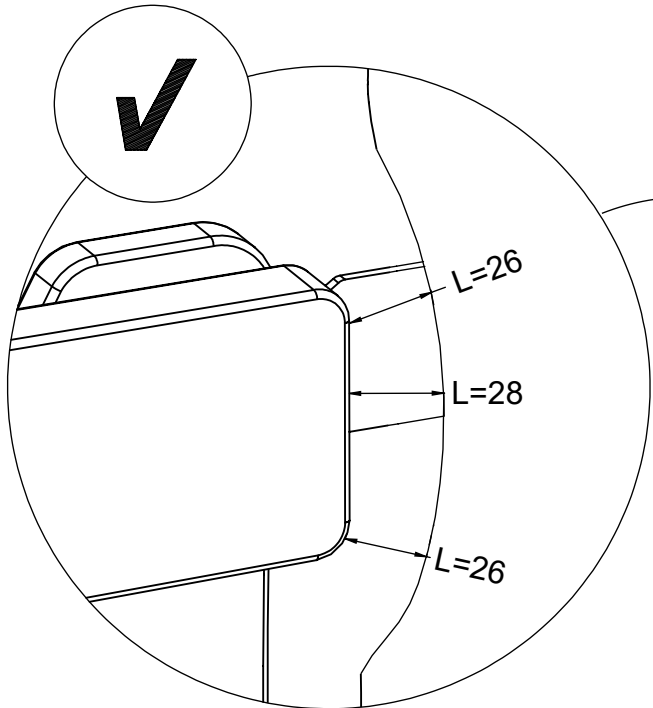
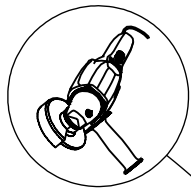
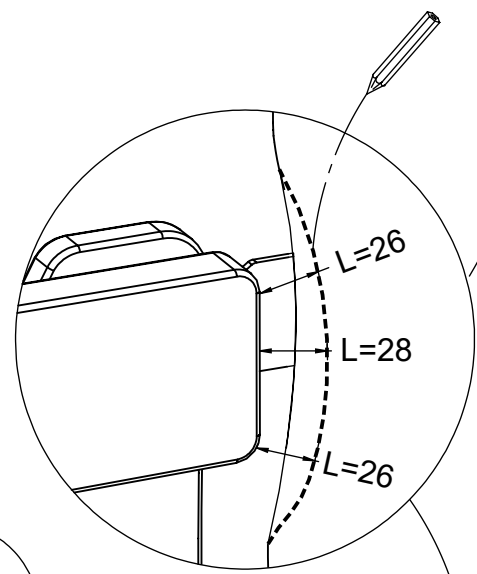
S > 97

L > 25mm **✓** L ≤ 25mm **X**



L > 25mm **✓**

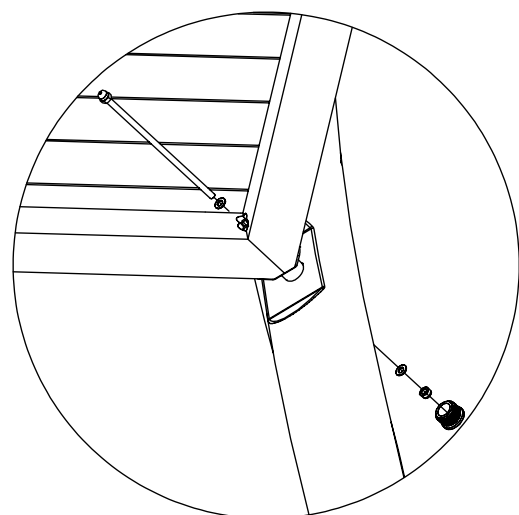
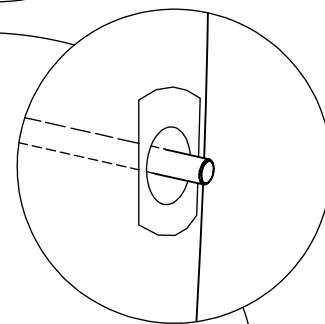
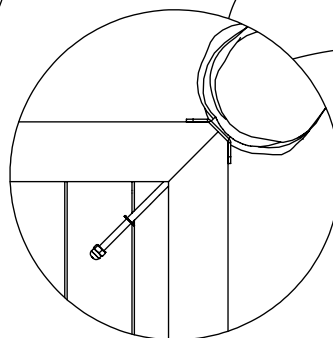
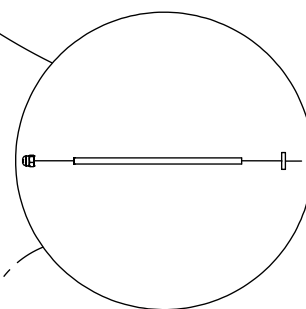
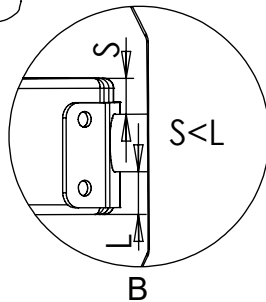
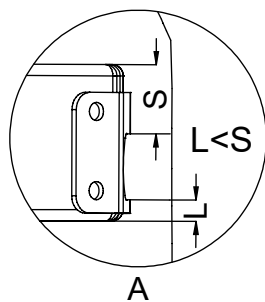
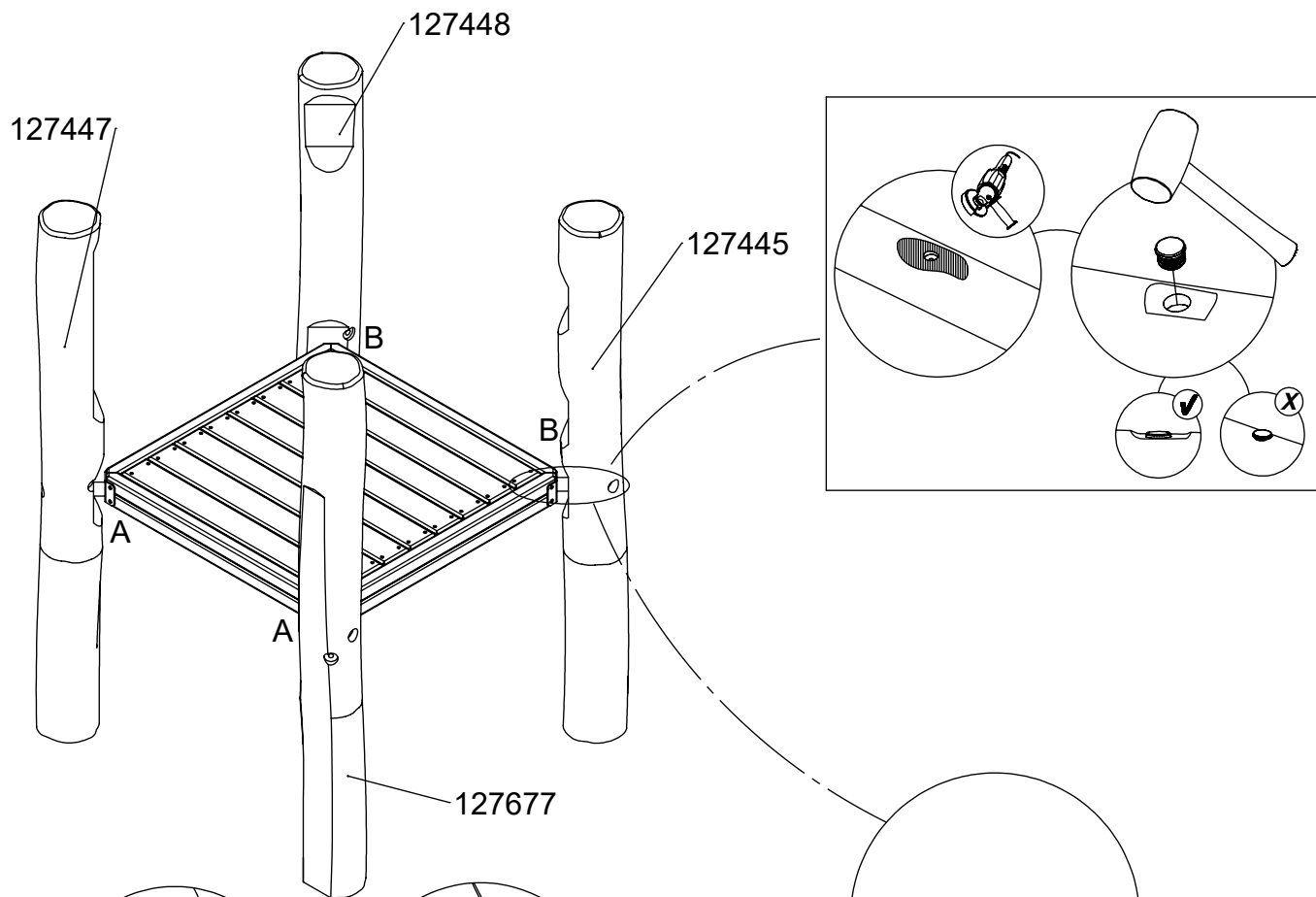
L ≤ 25mm **✓**



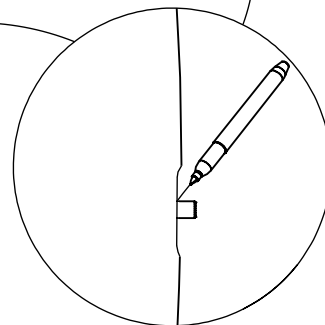
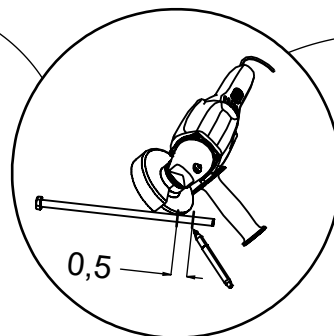
L > 25mm **✓** 

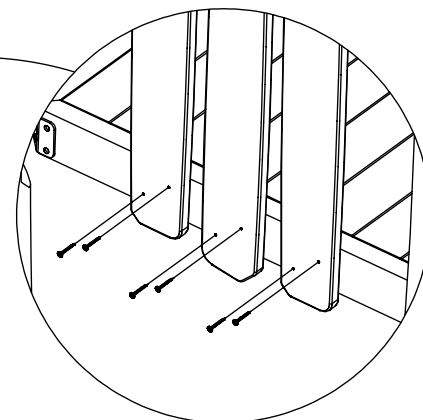
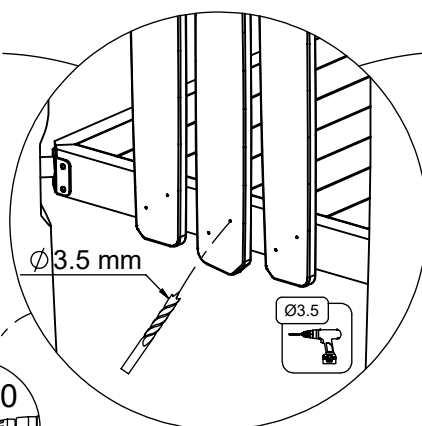
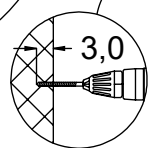
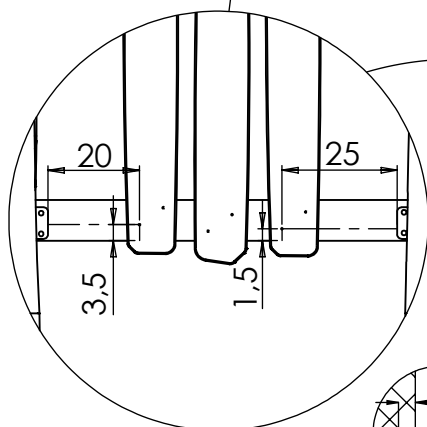
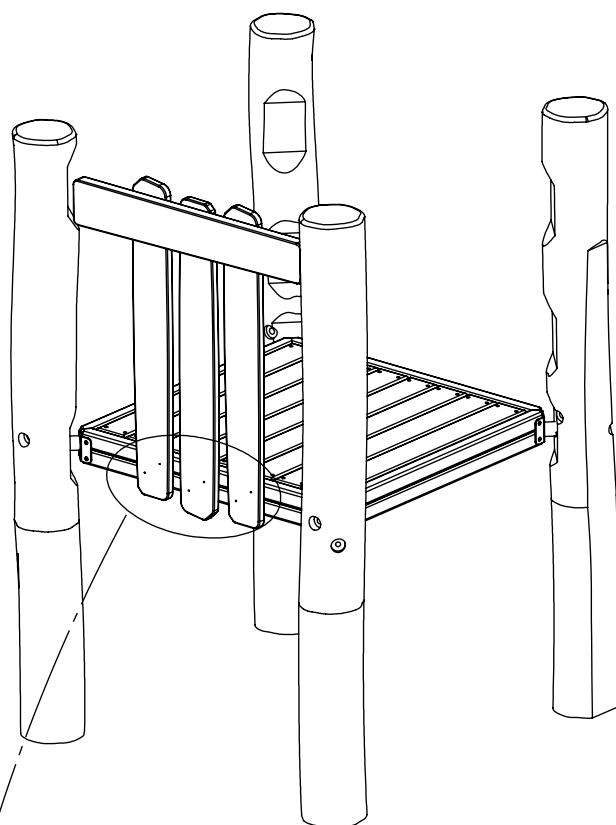
[cm]

vinci
play



1x 12e004

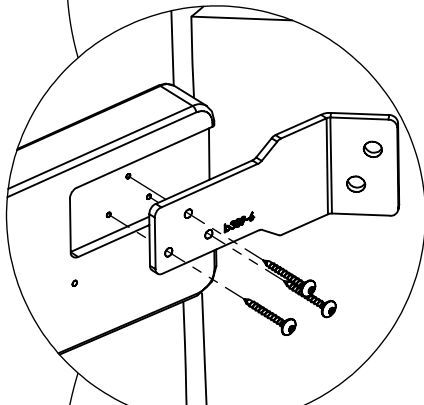
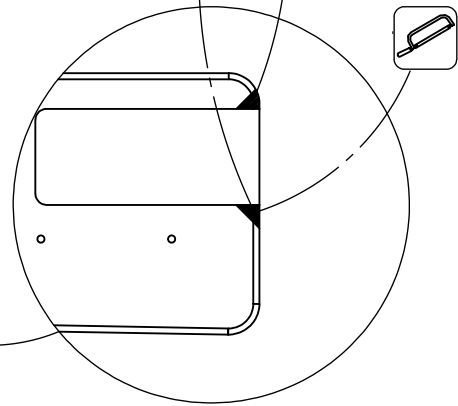
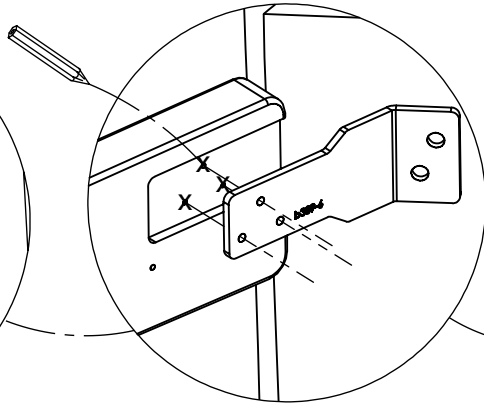
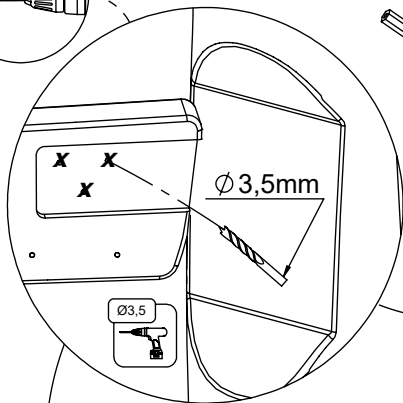
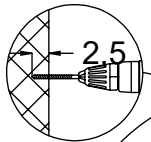
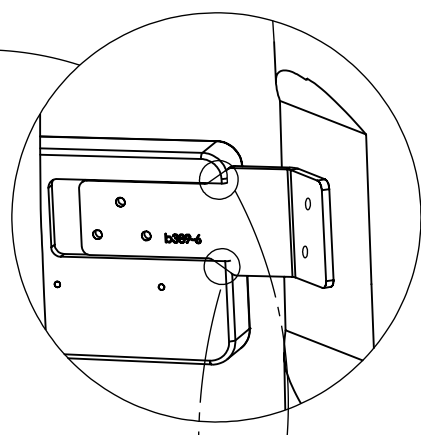
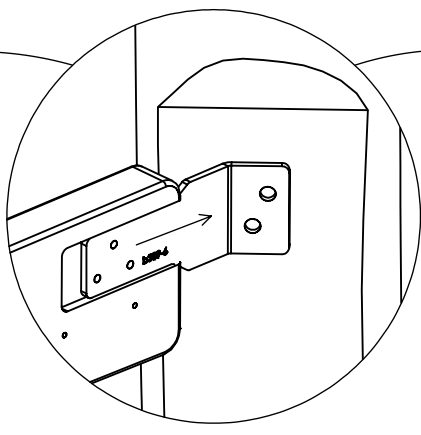
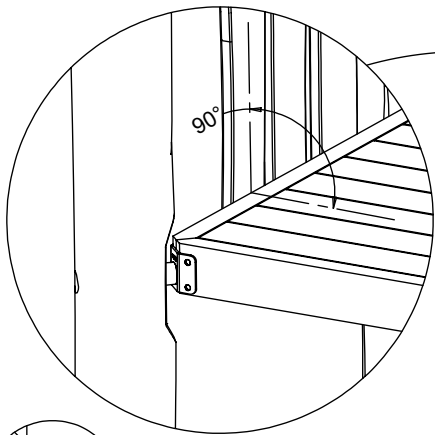




6x 5x50sxs

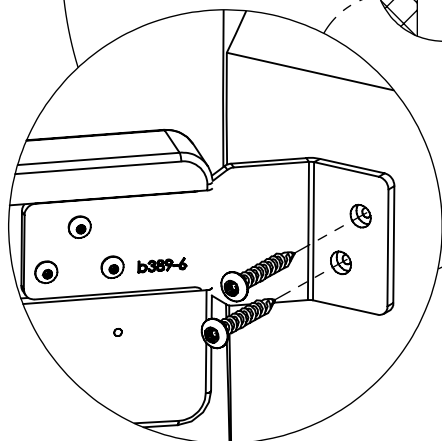
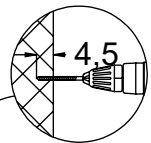
[cm]

vinci
play

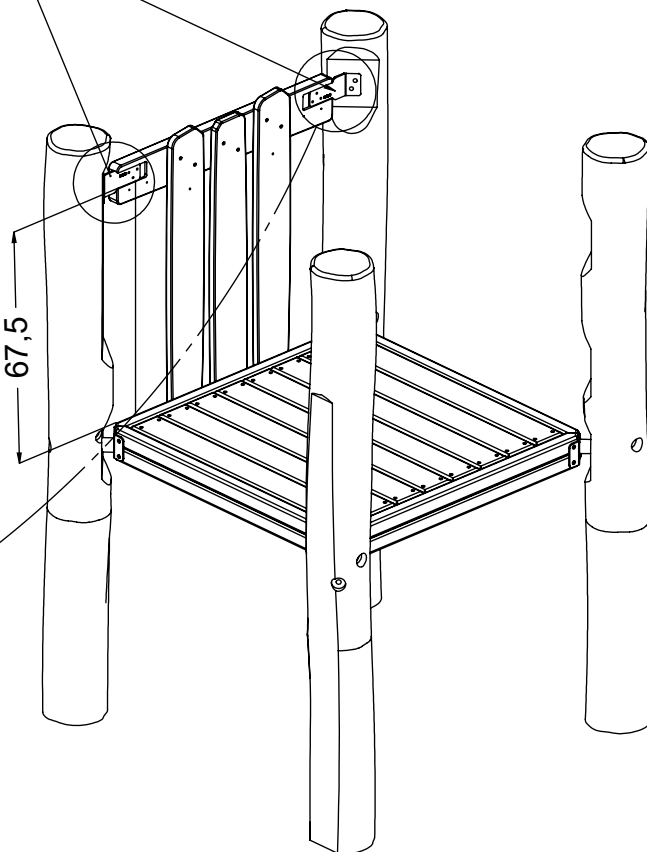


2xb389

6x 5x30sxs



4x 8x50sxi



[cm]

vinci play

1x 128181

Z

Z

Z

!Z

1x 128181

0,2 !

! 30mm < Z < 85mm

4x 5x50sxs

Ø3,5

Ø3,5

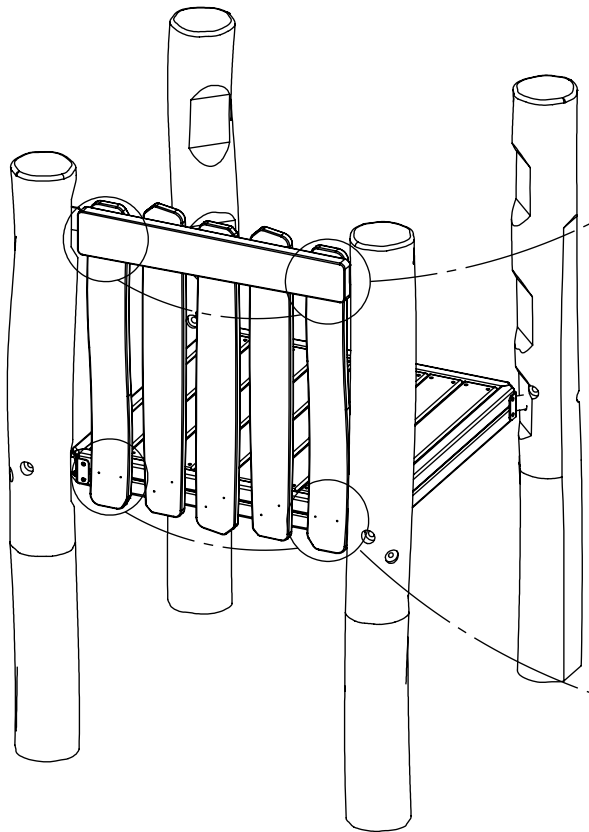
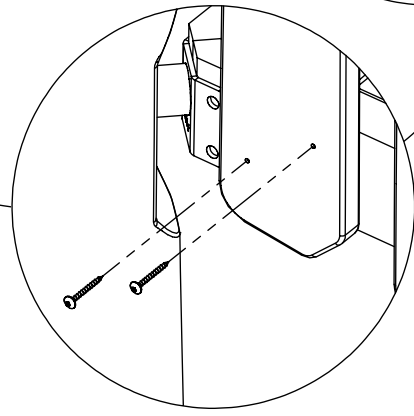
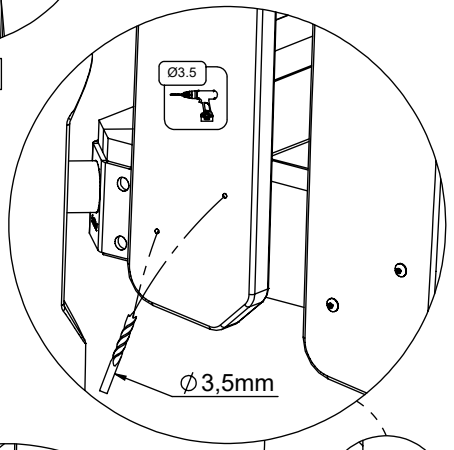
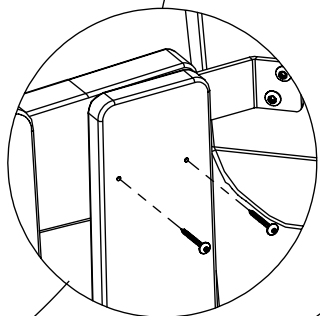
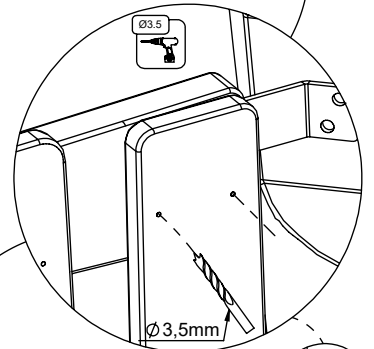
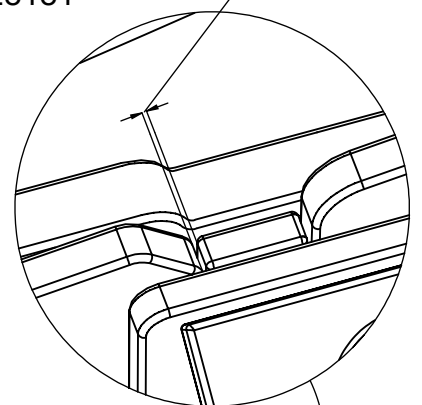
2,5

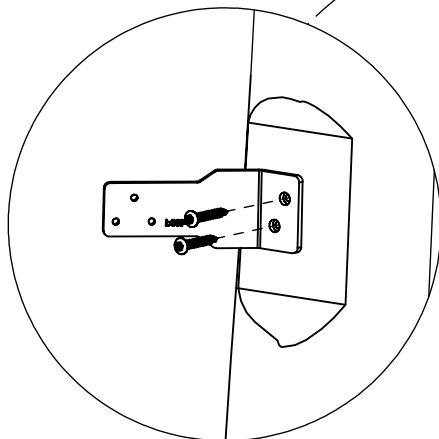
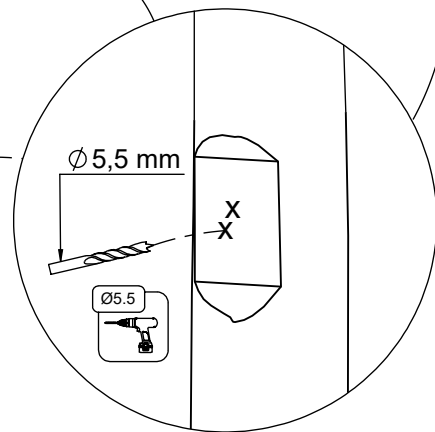
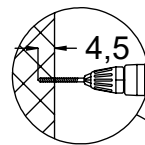
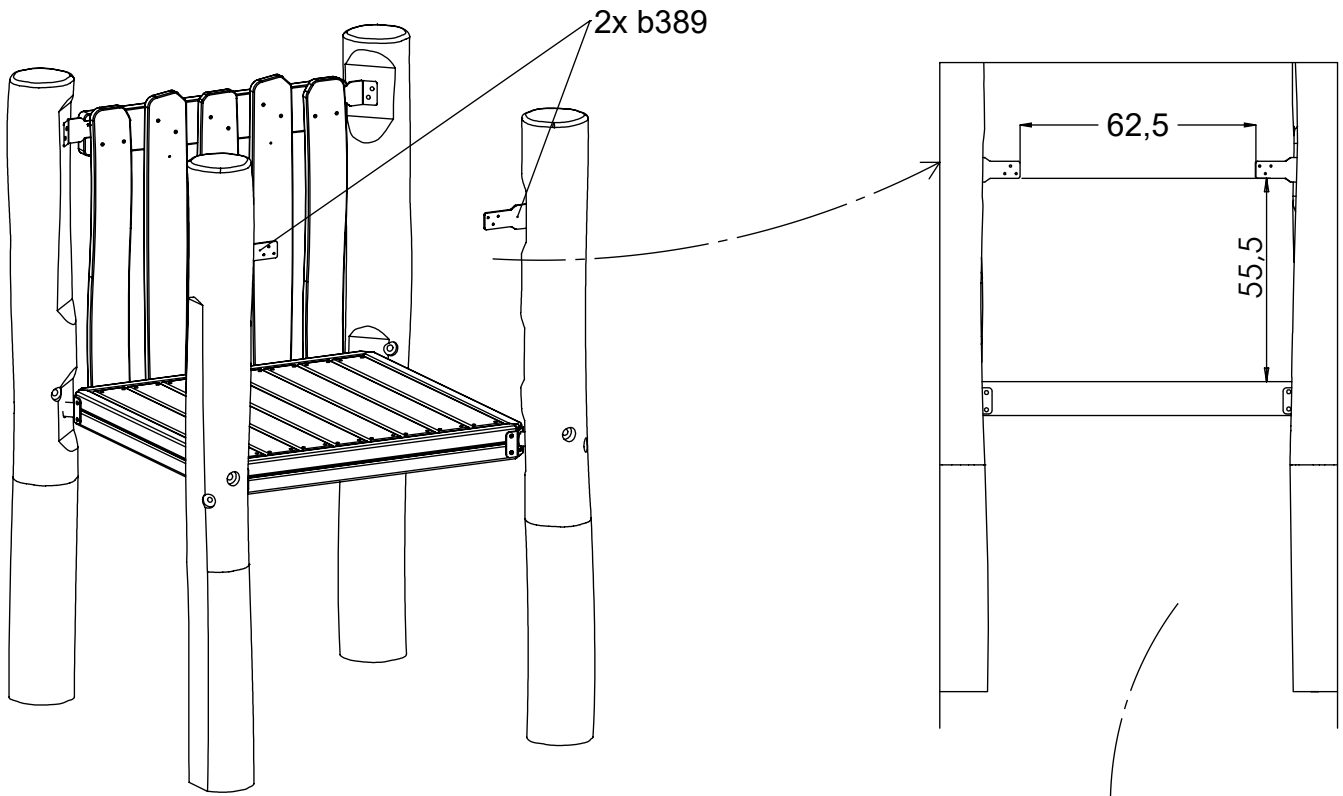
3

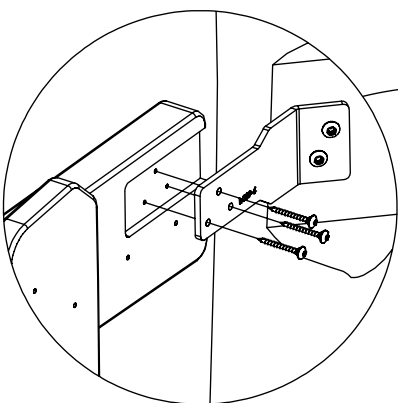
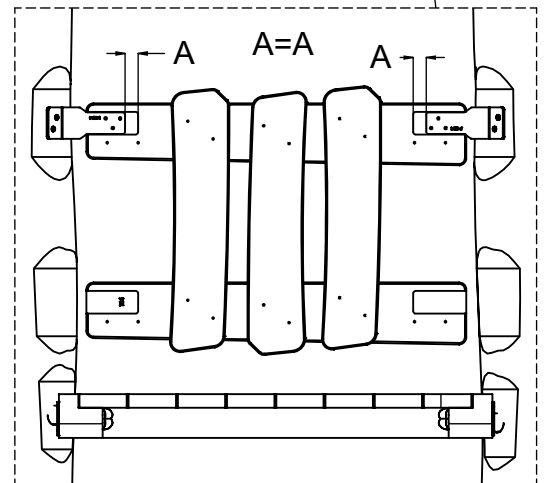
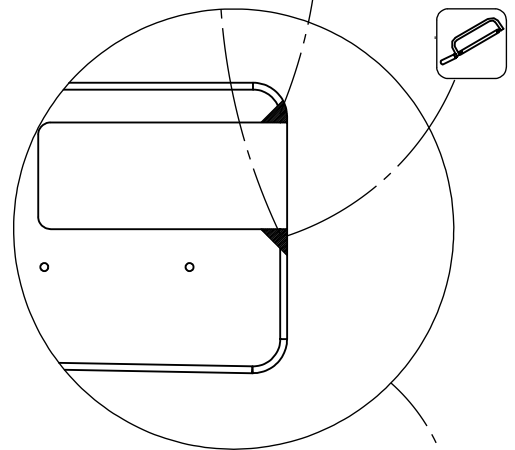
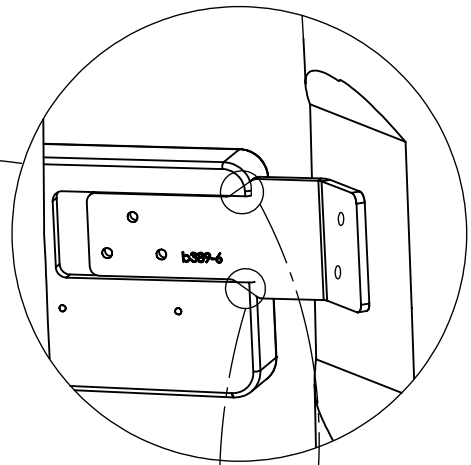
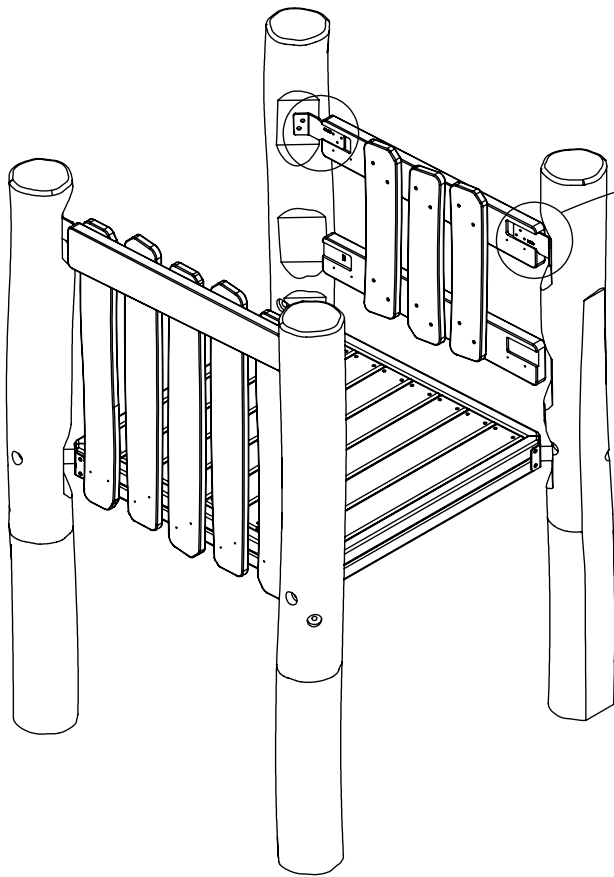
4x 5x50sxs

vinci play

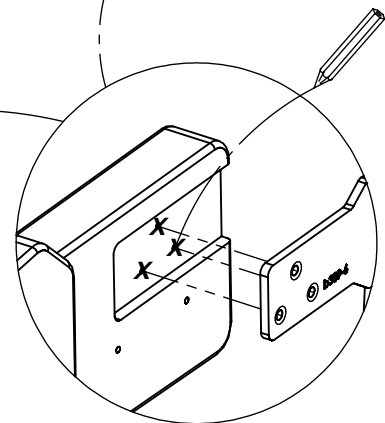
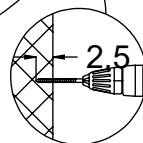
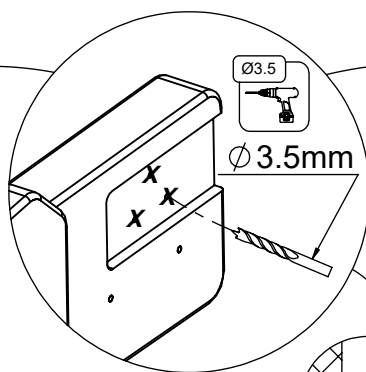
[cm]





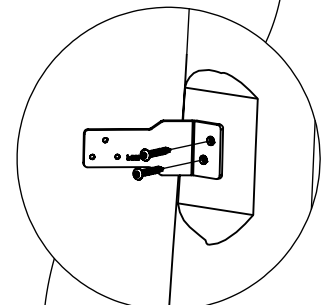
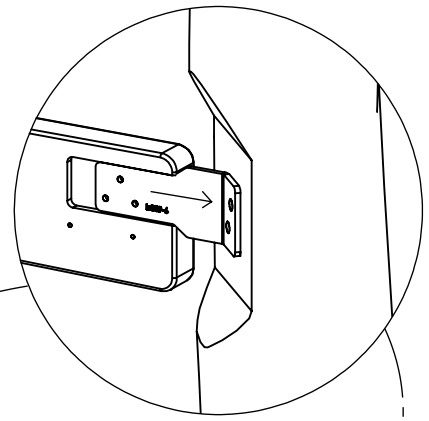
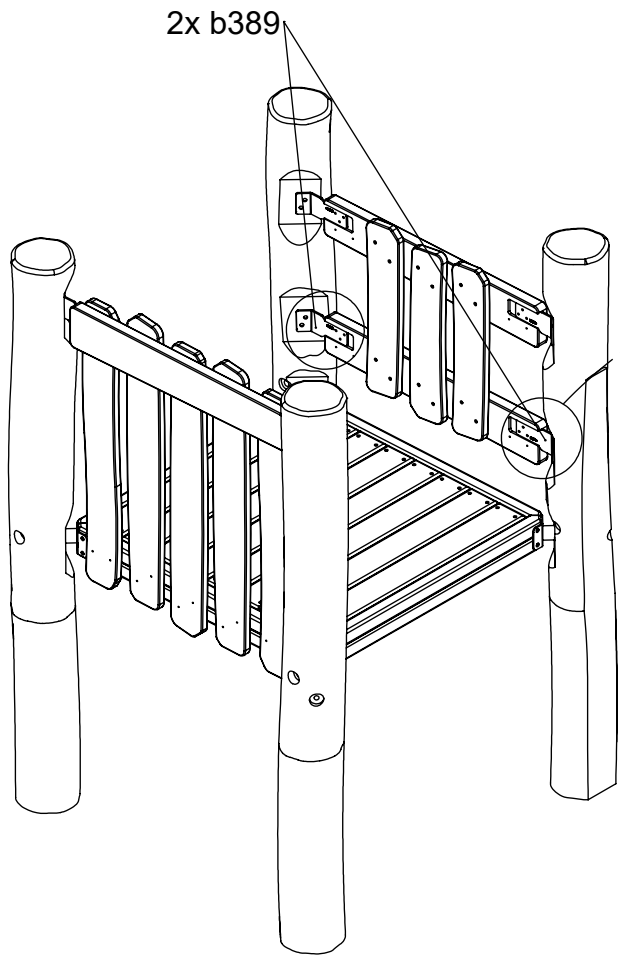


6x 5x30sxs

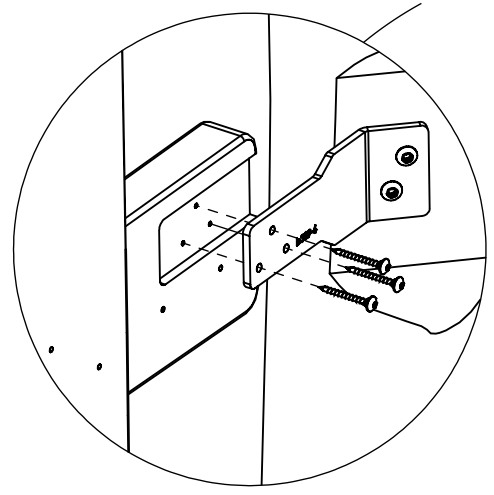
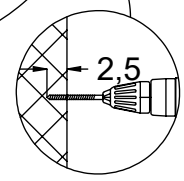
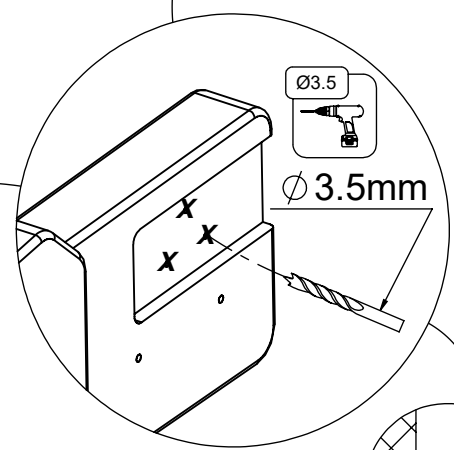
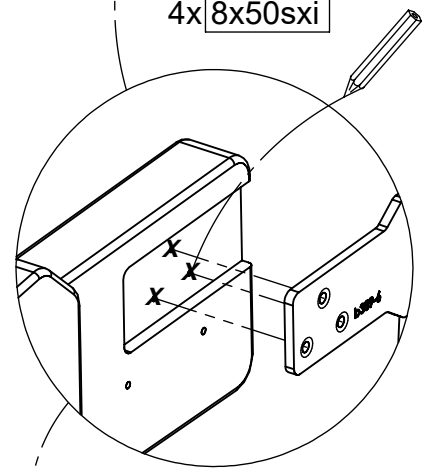


[cm]

vinci
play



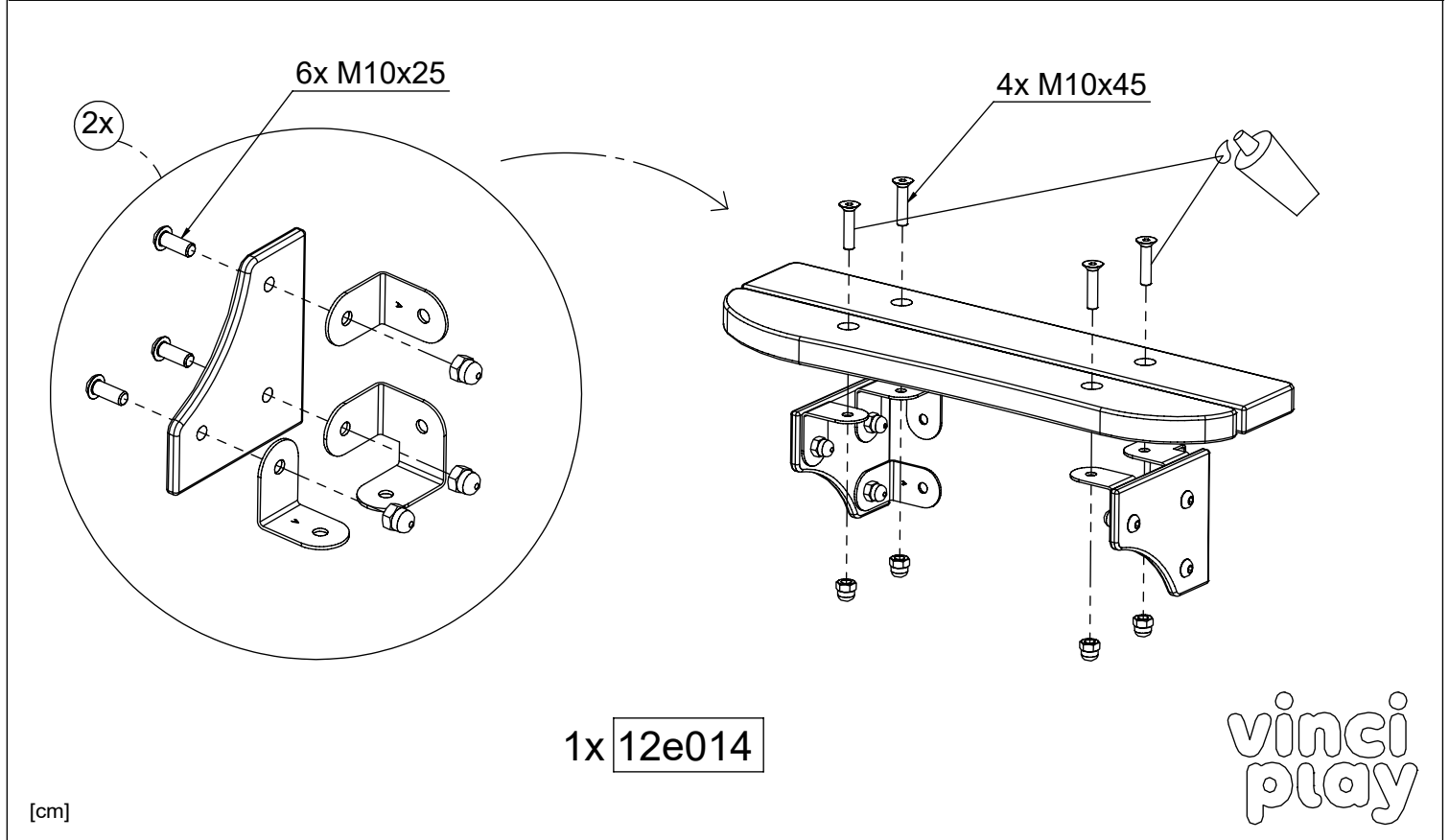
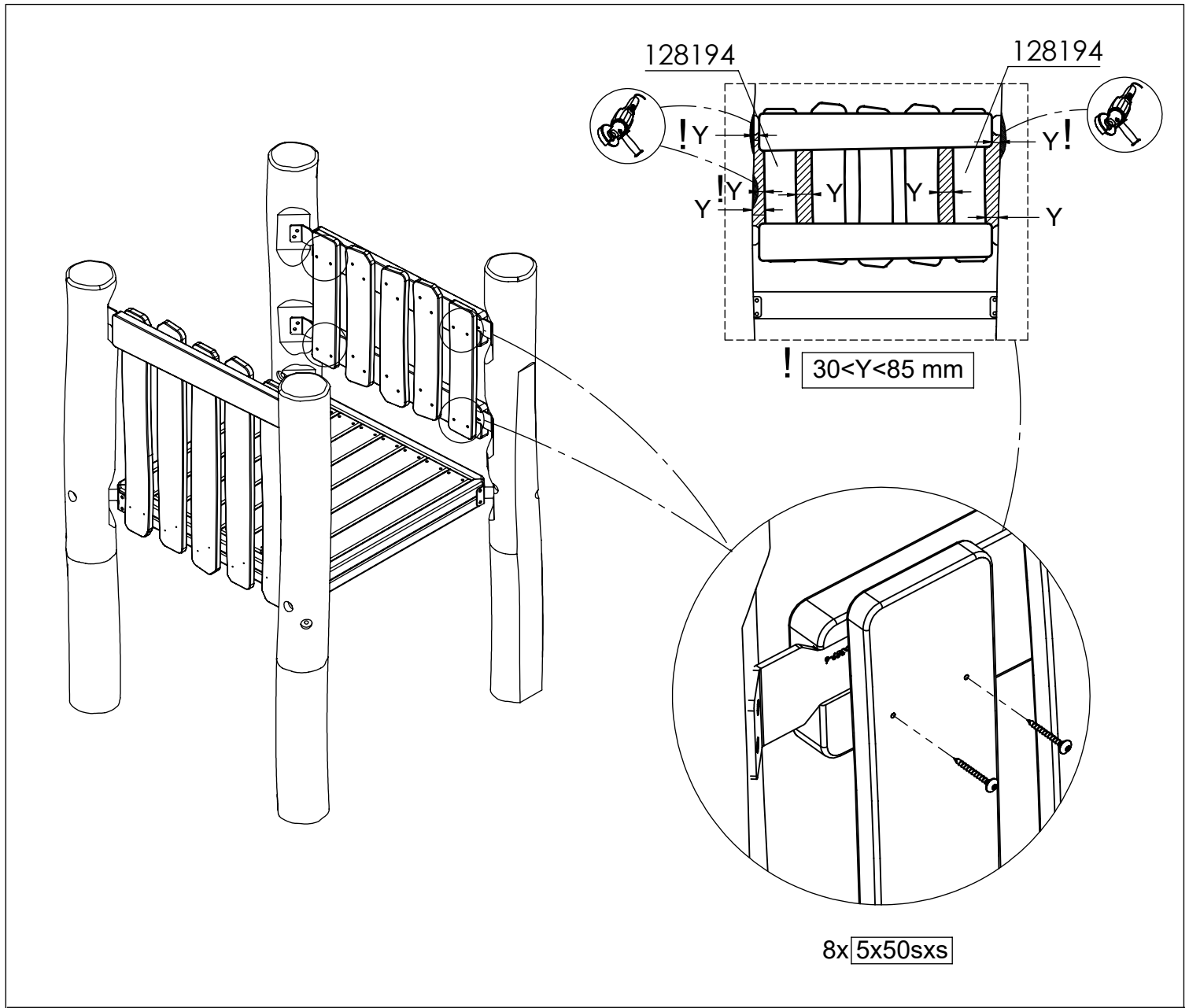
4x 8x50sxi

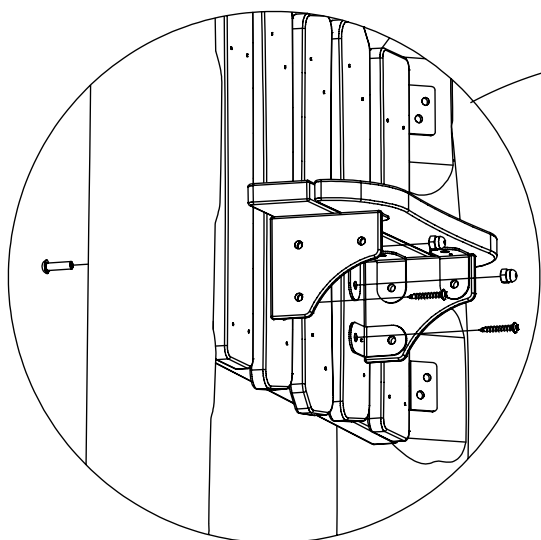
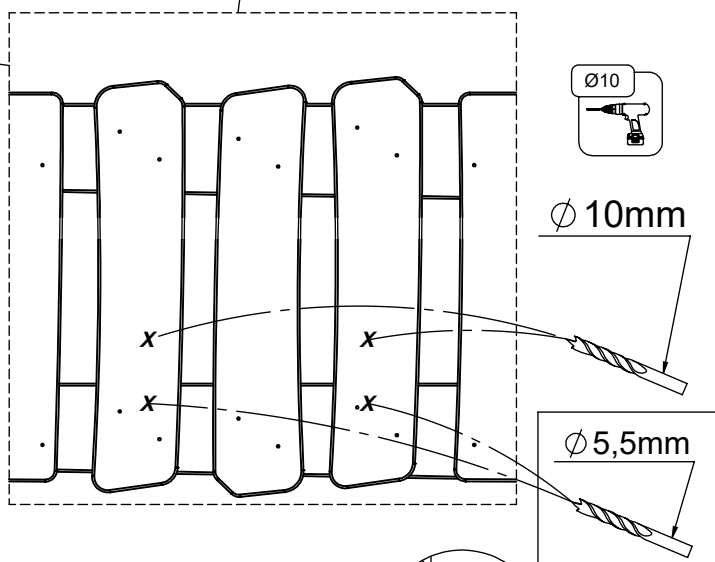
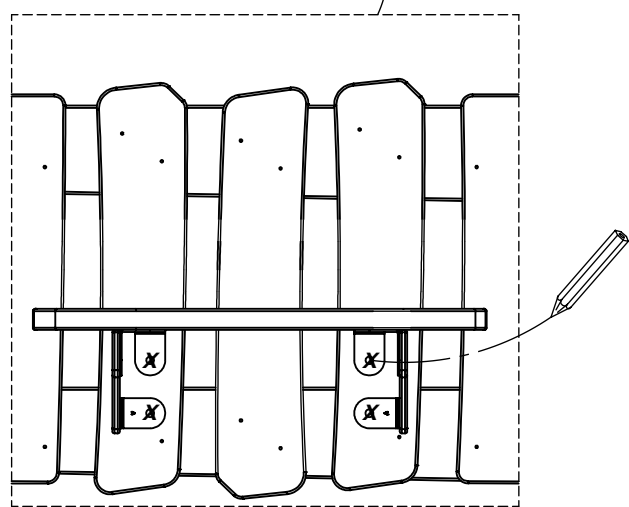
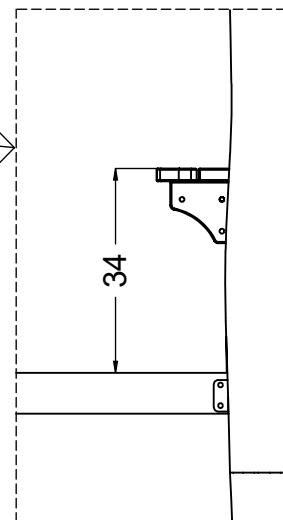
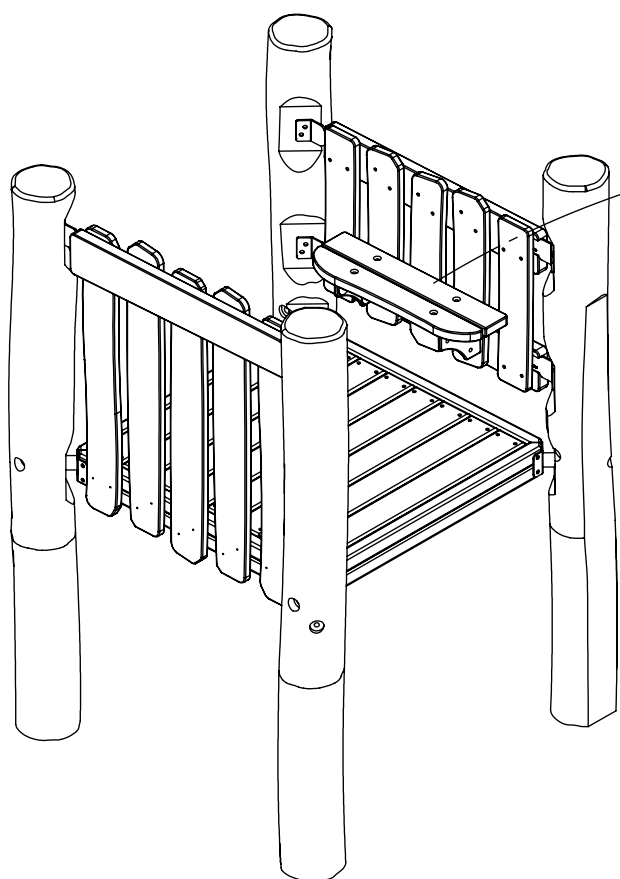


6x 5x30sxs

[cm]

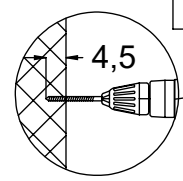
vinci
play





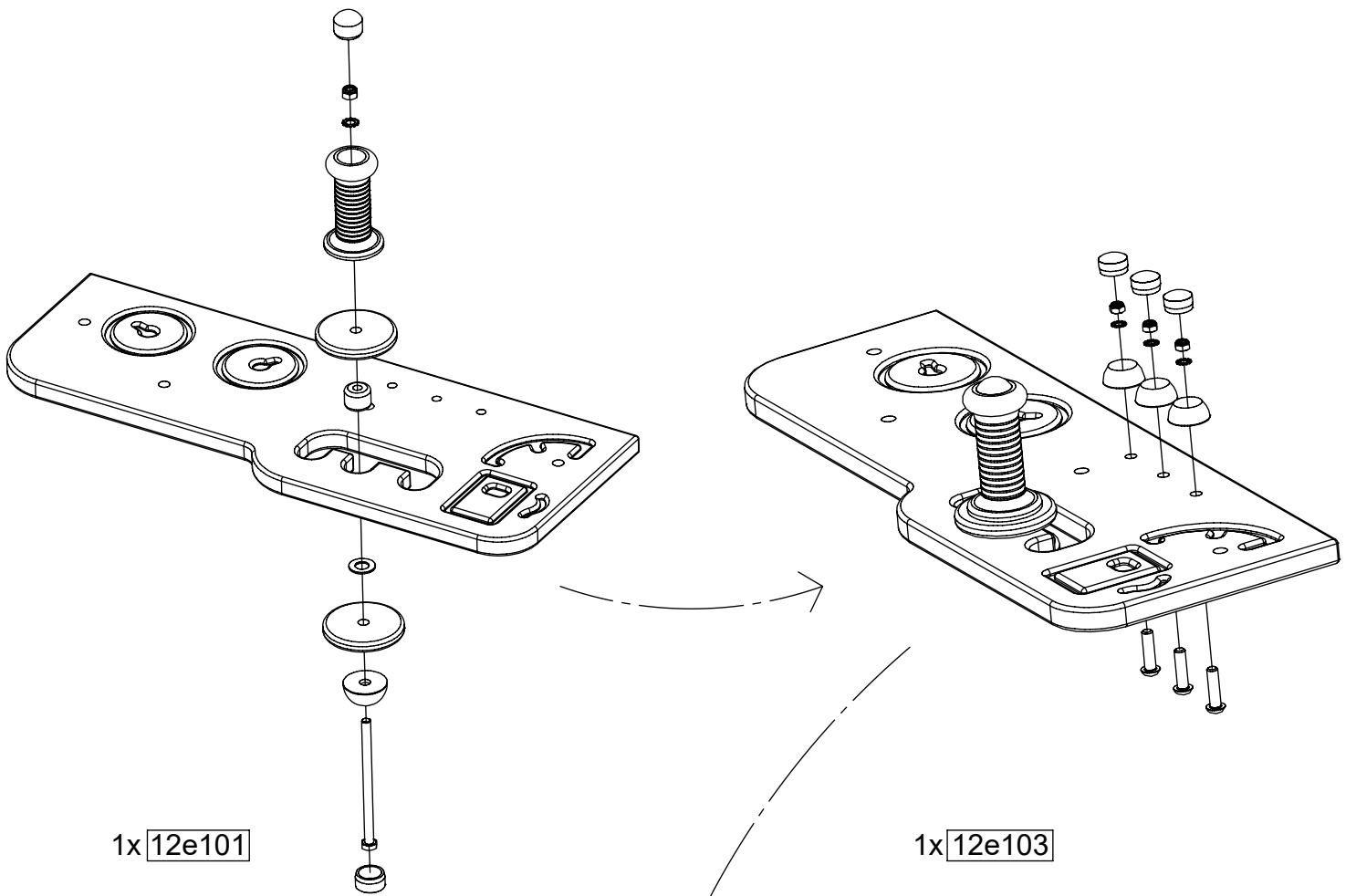
12e014

2x 8x50sxi

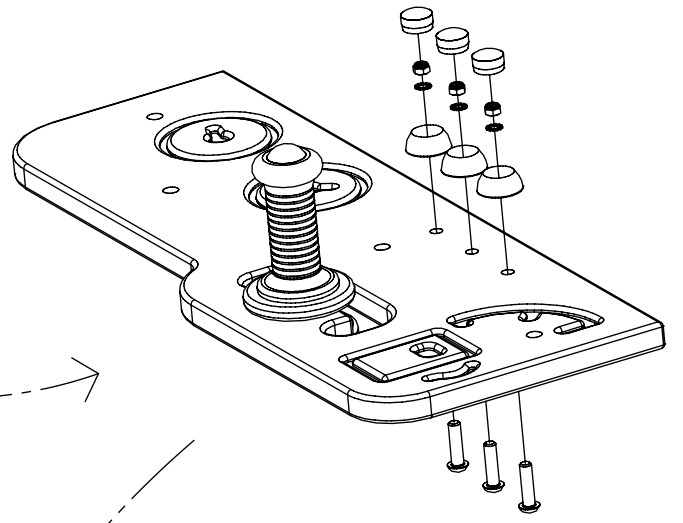


vinci
play

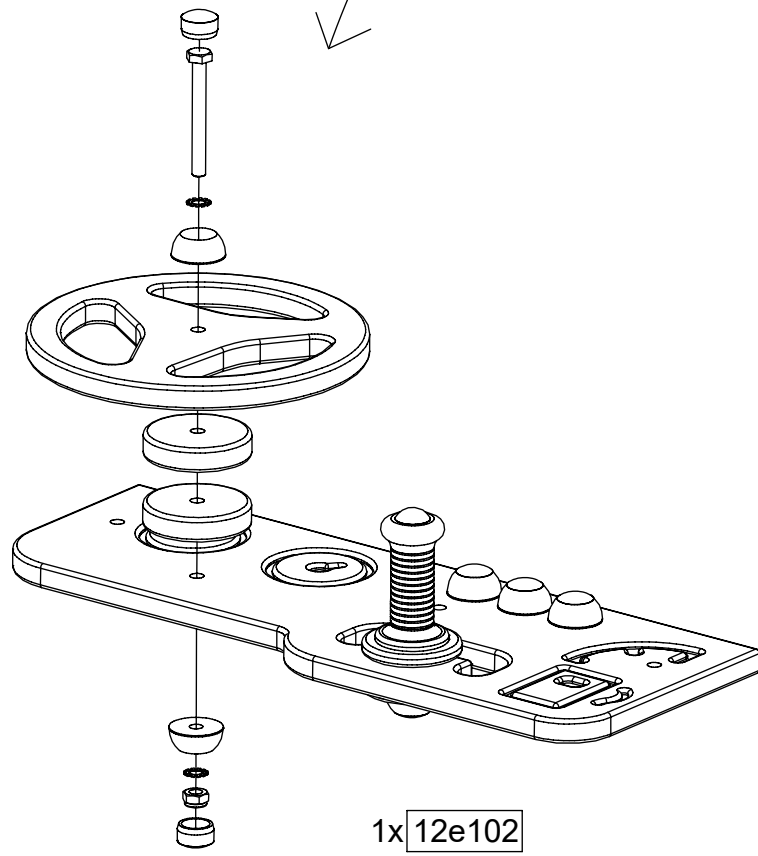
[cm]



1x 12e101



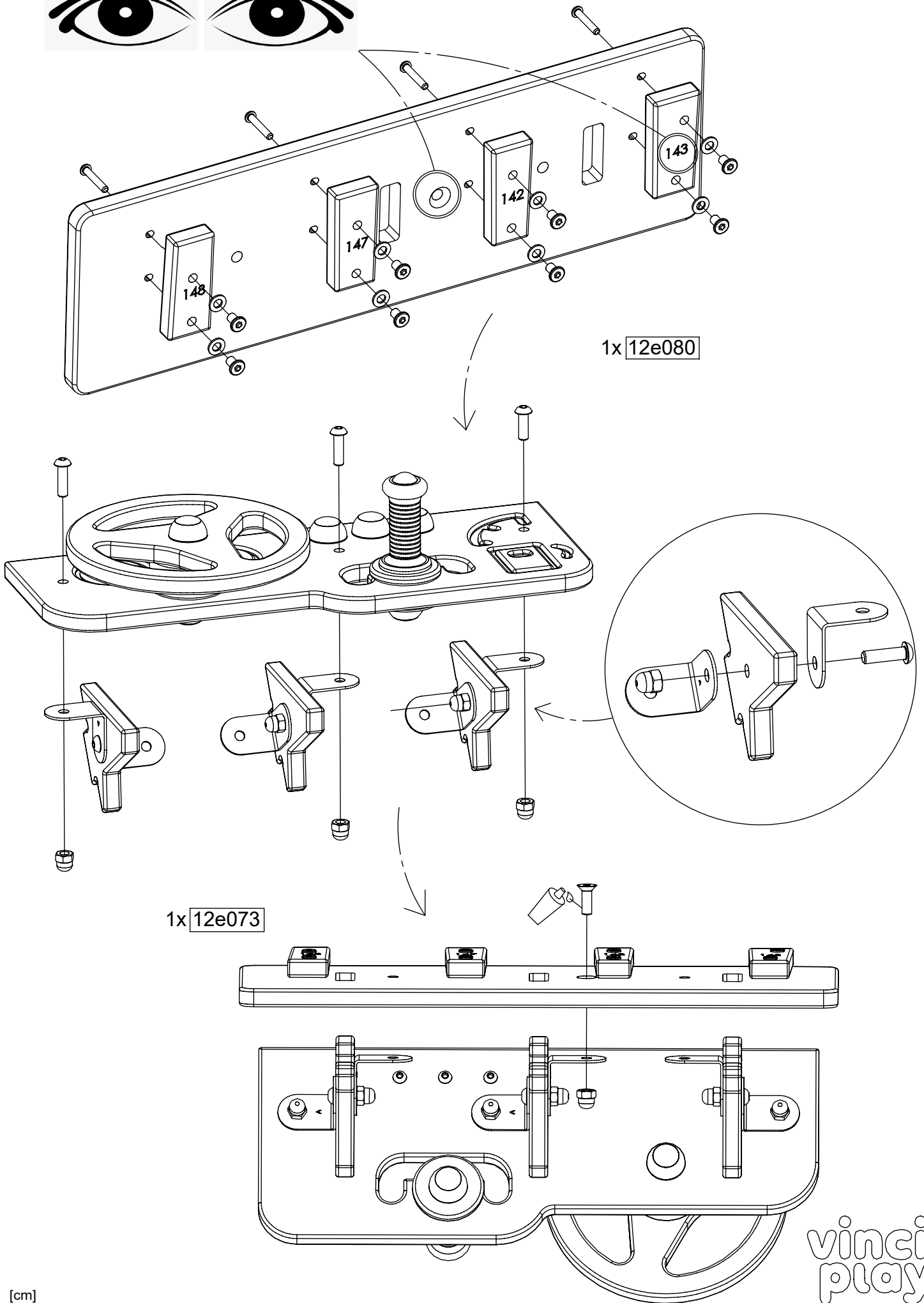
1x 12e103



1x 12e102

[cm]

vinci
play



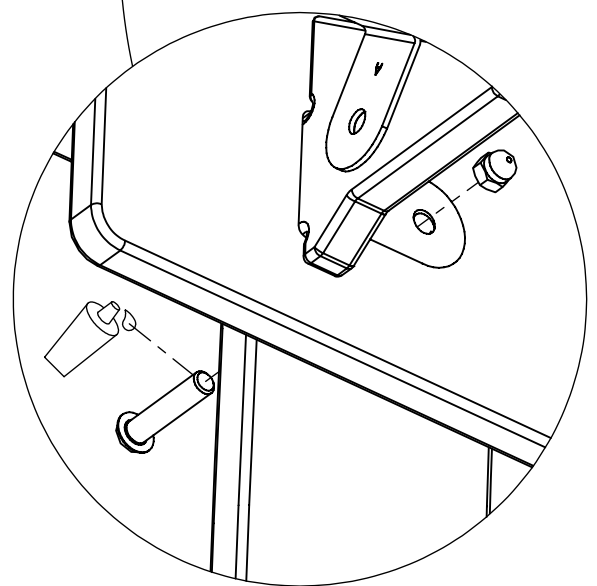
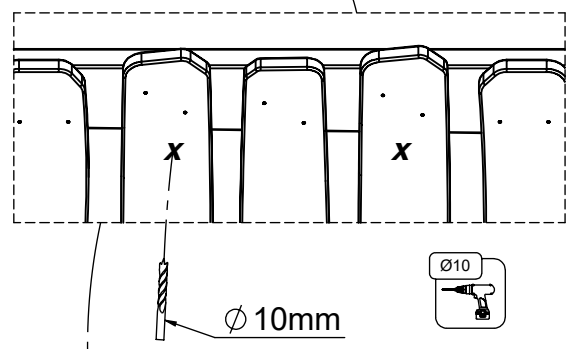
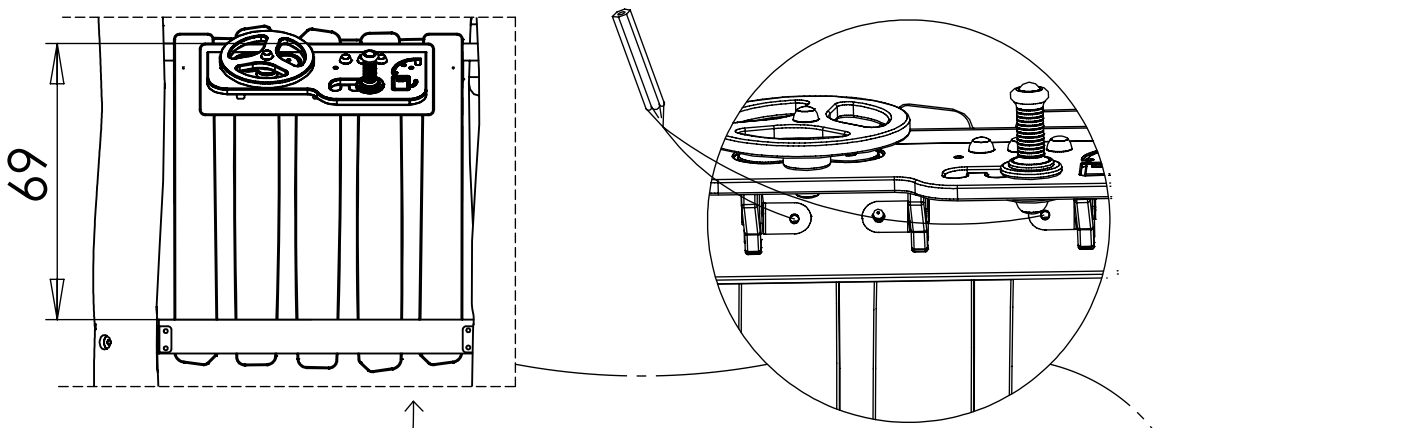
1x 12e080

1x 12e073

[cm]

vinci play

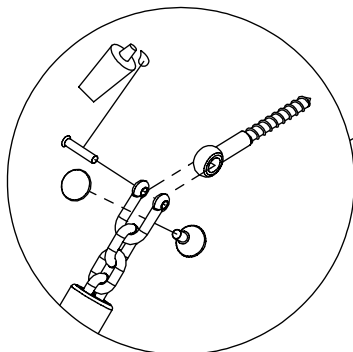
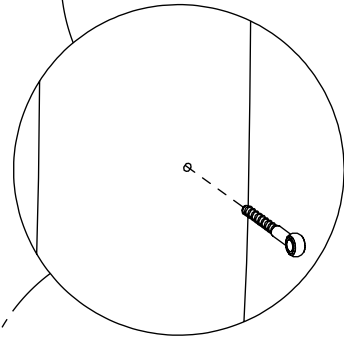
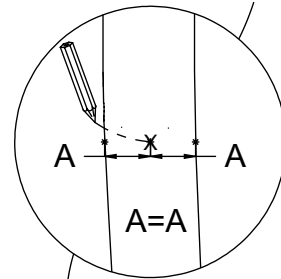
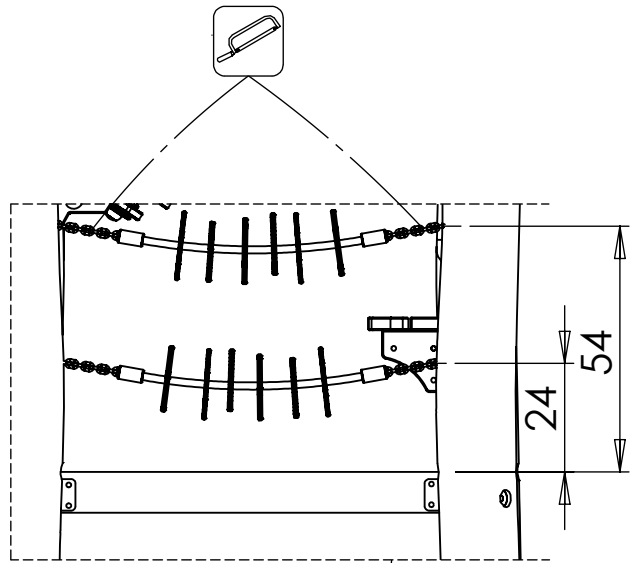
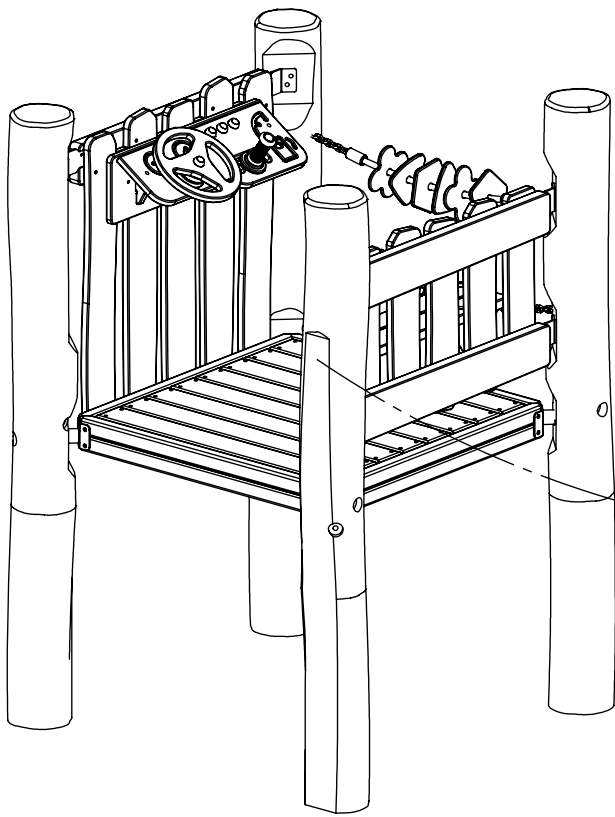
69



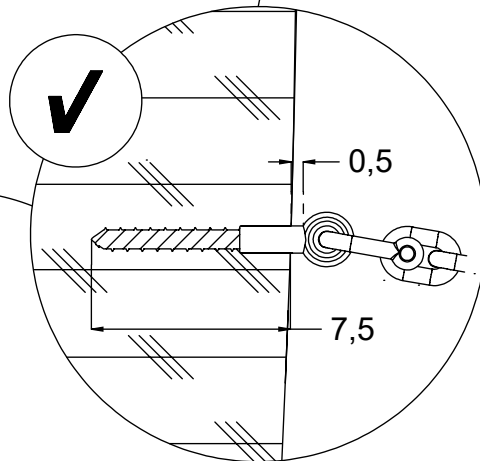
1x 12e074

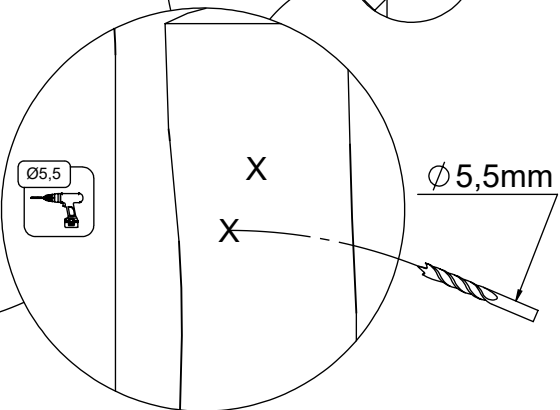
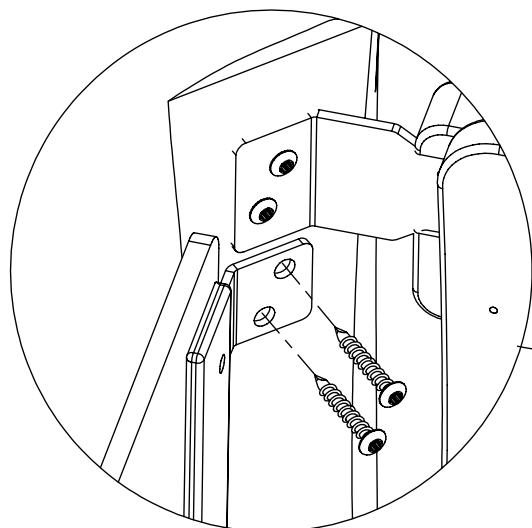
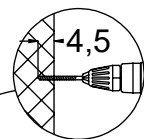
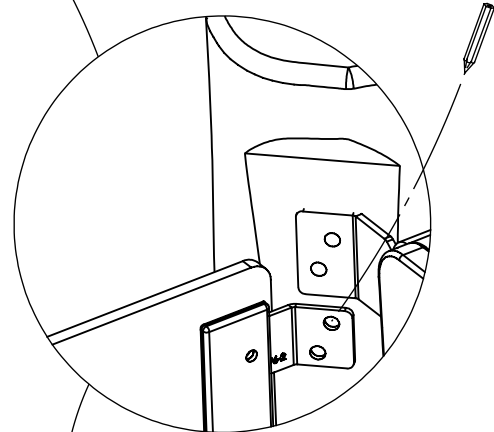
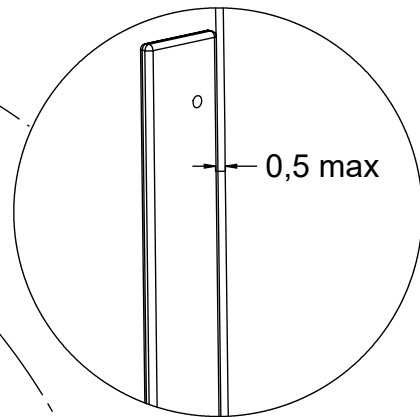
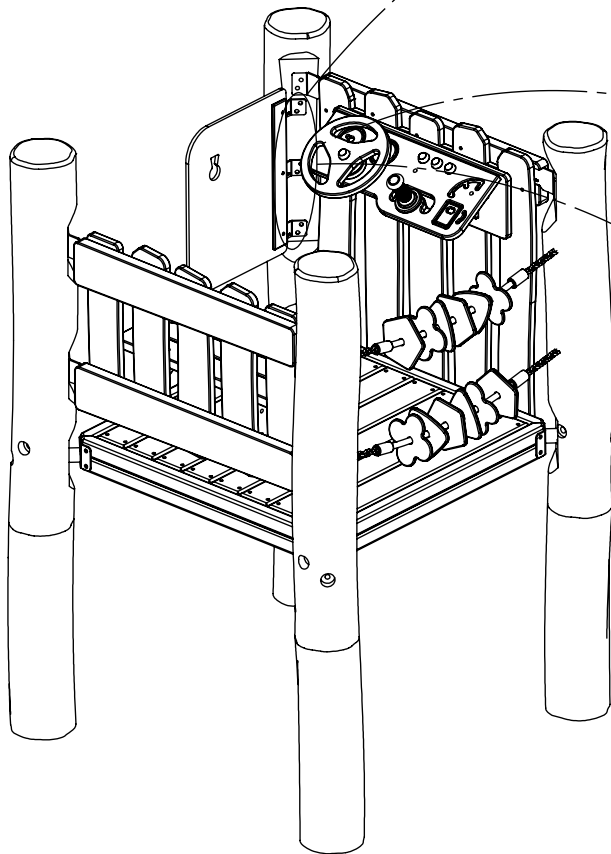
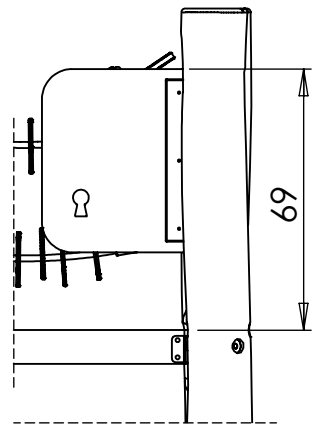
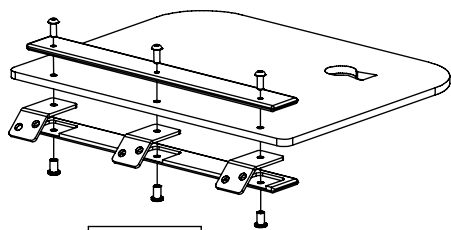
[cm]

vinci
play



2x 12e007

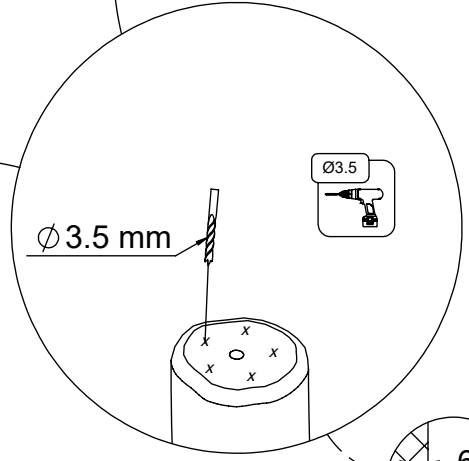
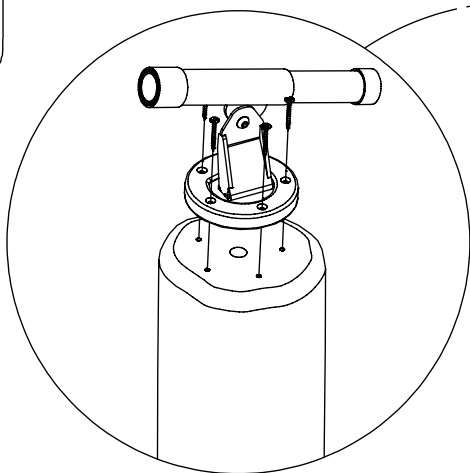
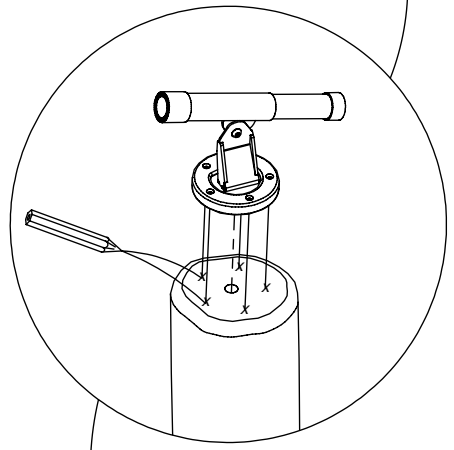
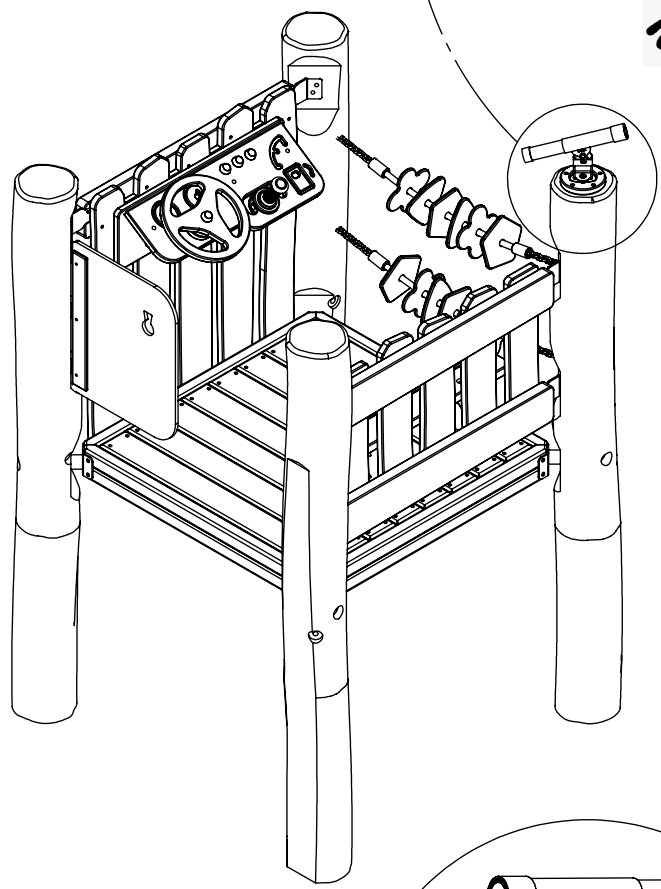
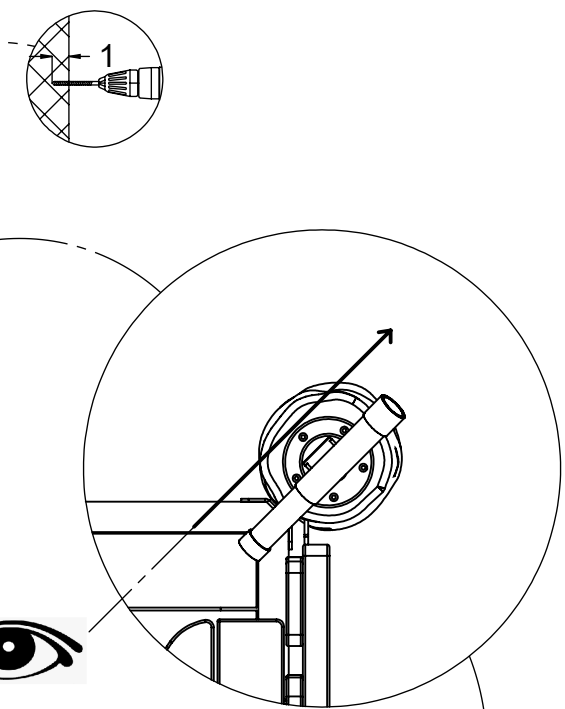
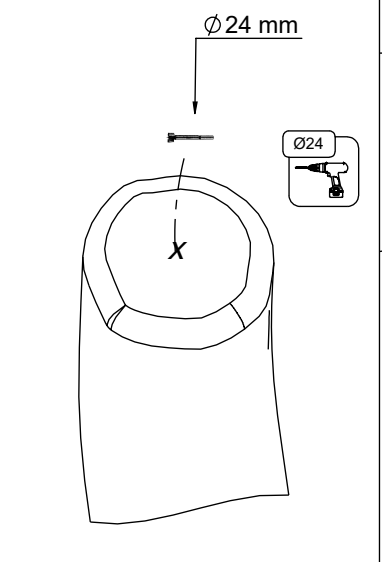
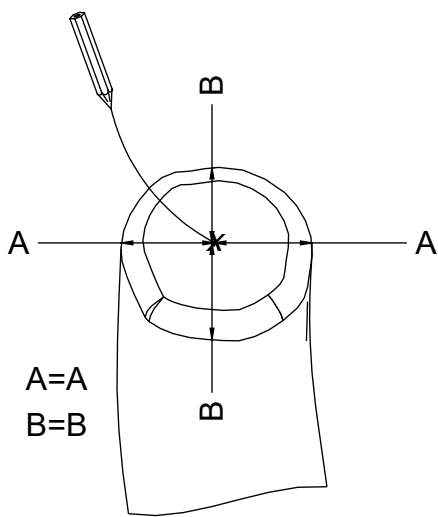




6x 8x50sxi

[cm]

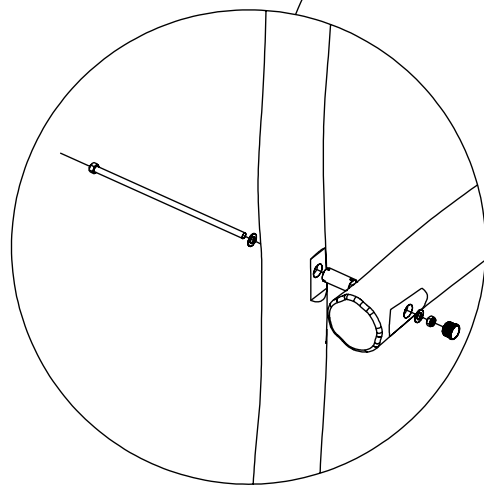
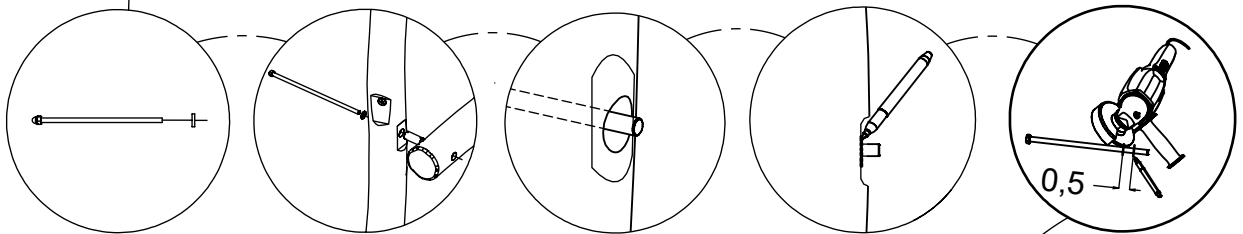
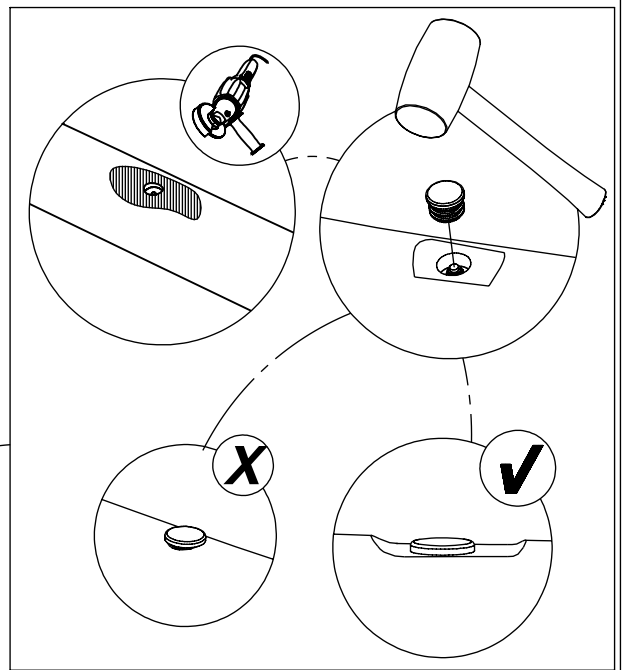
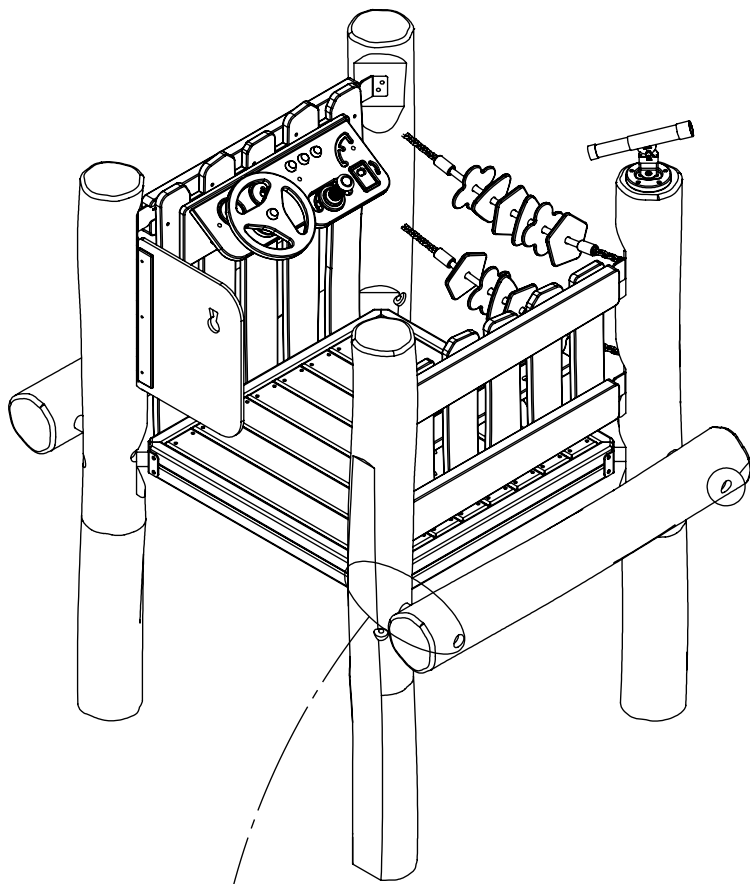
vinci
play



5x 5x80sxs

[cm]

vinci
play

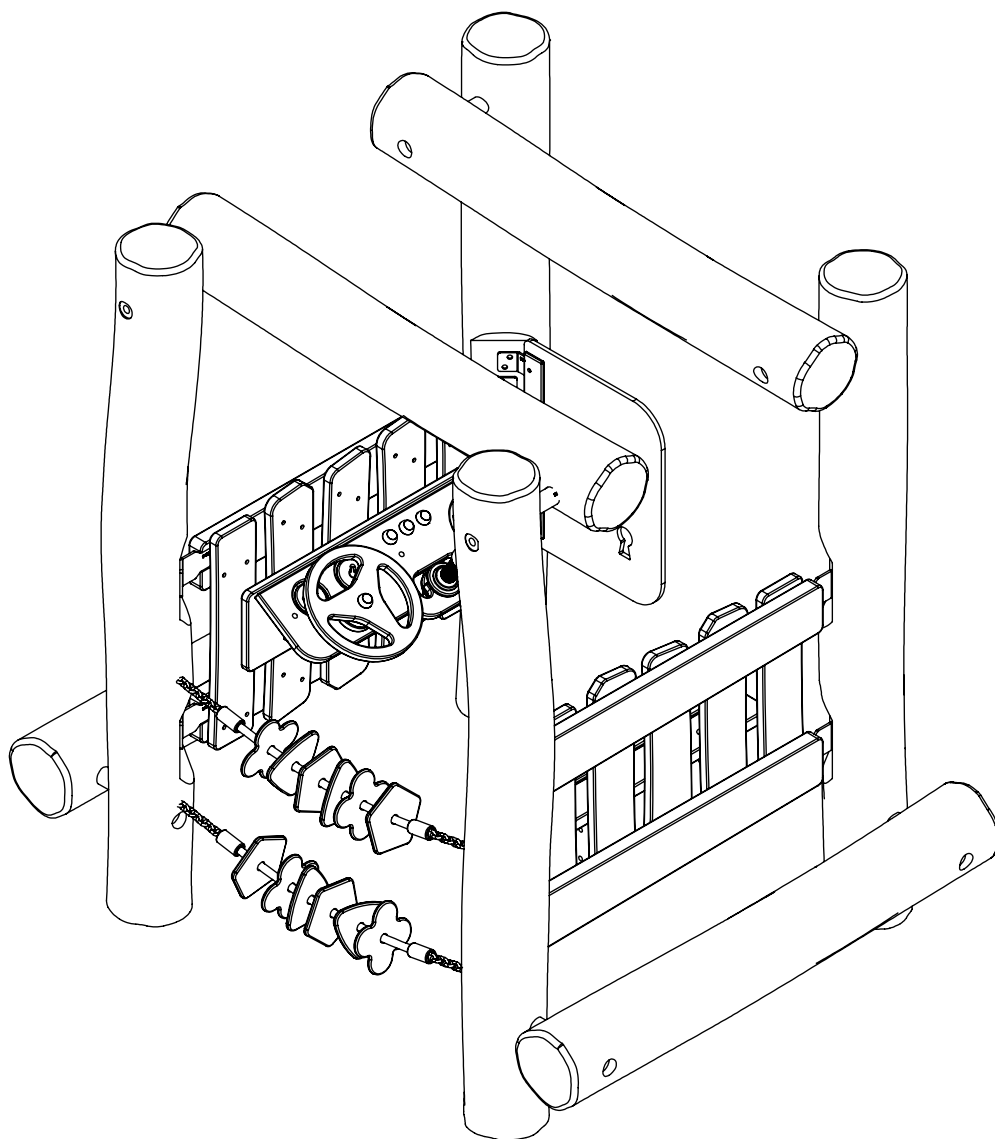


2x 12e083

[cm]

vinci
play

RB1244

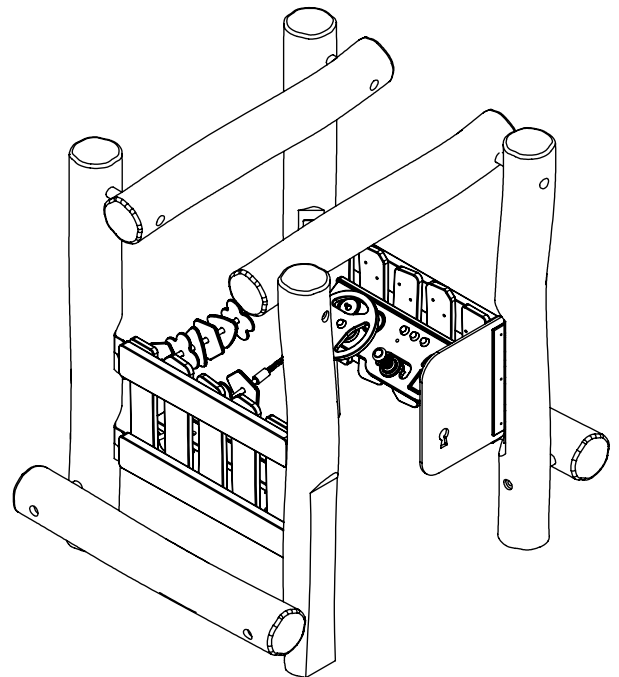
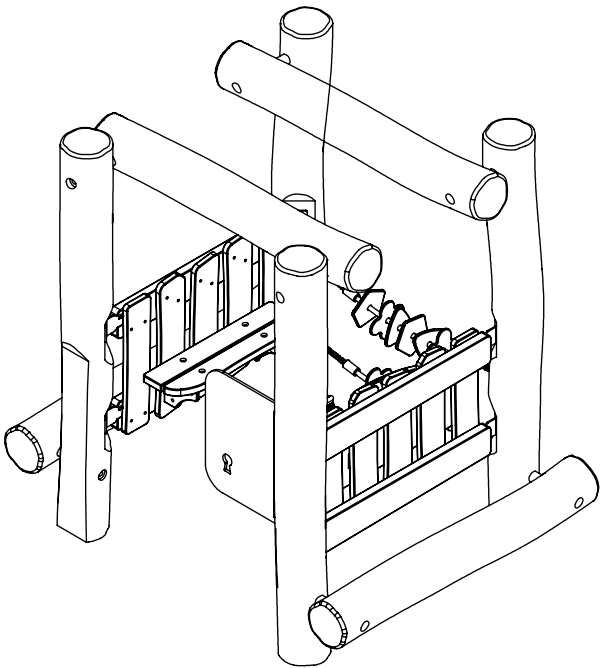
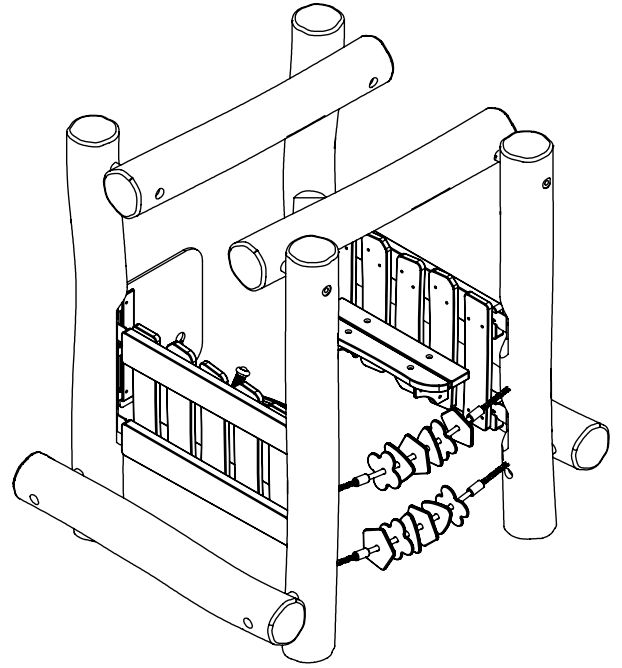
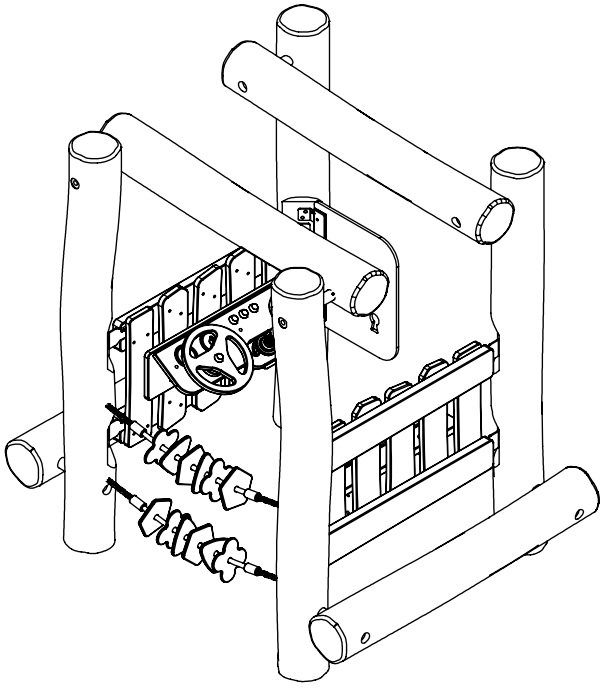


2h



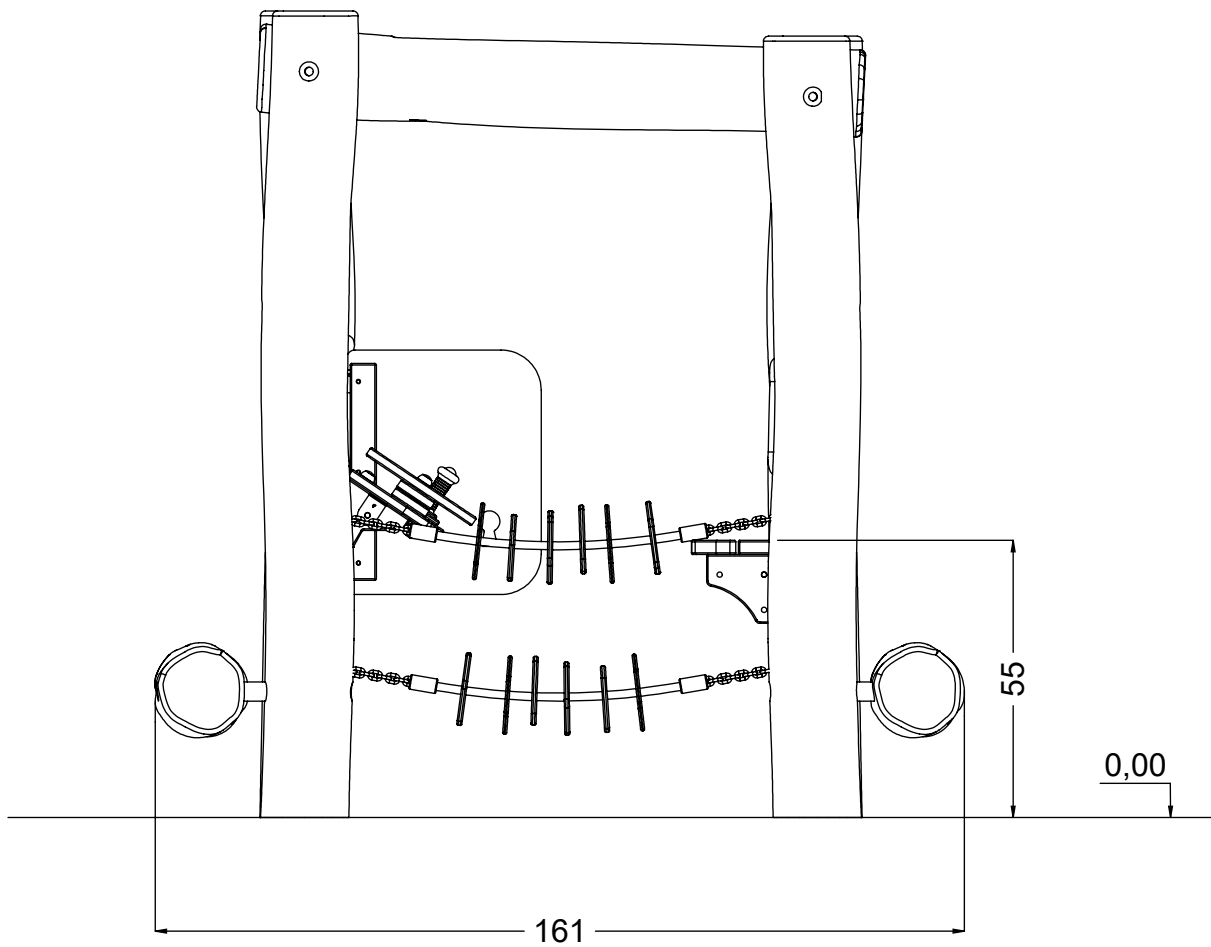
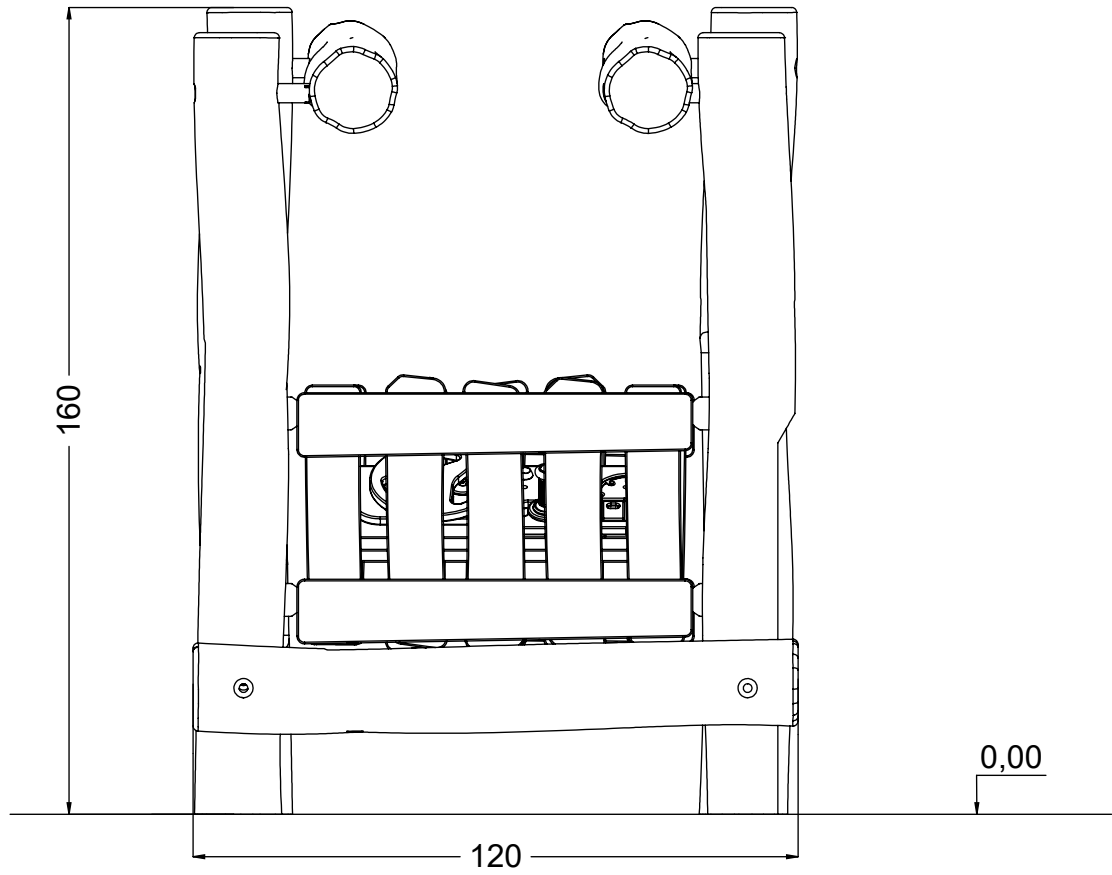
[cm]

vinci
play



[cm]

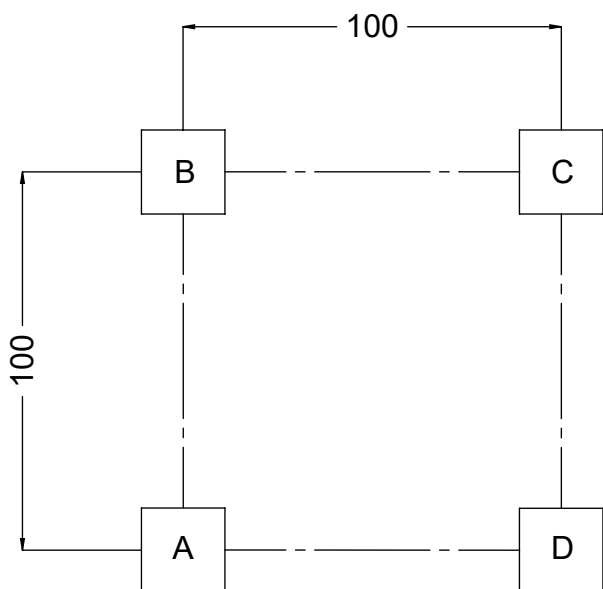
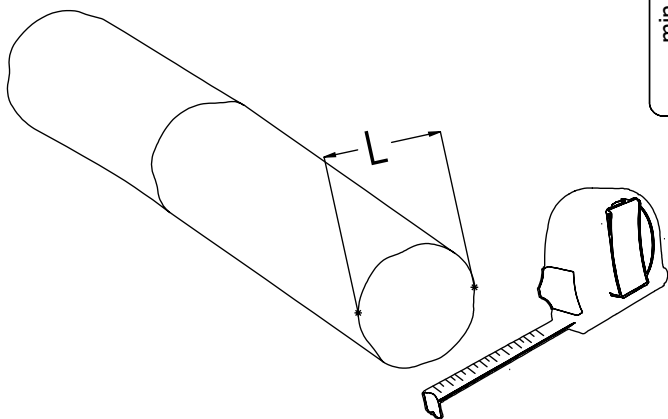
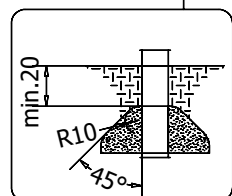
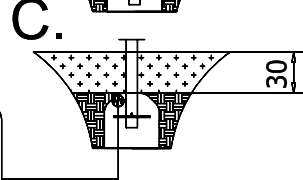
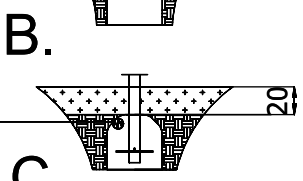
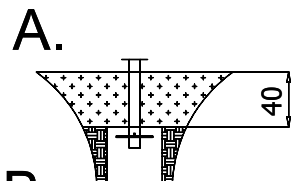
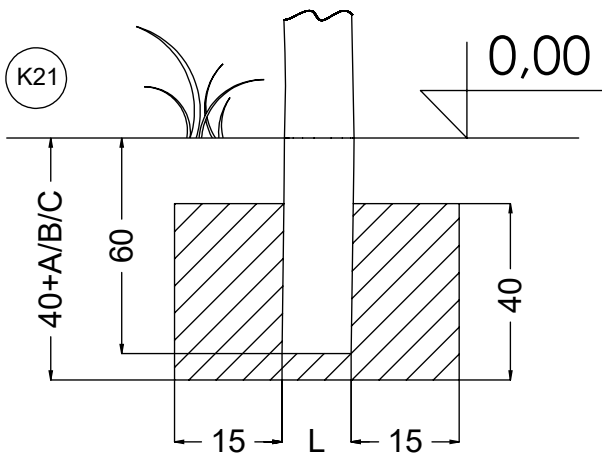
vinci
play



[cm]



vinci
play



[cm]



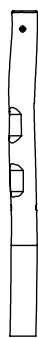
2h



vinci play



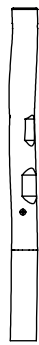
127464 (A)
x1



127676 (B)
x1



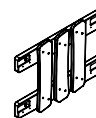
127462 (C)
x1



127463 (D)
x1



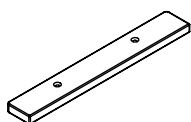
127460
x4



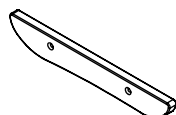
124111
x2



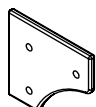
128194
x4



128102
x1



128106
x1



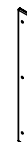
121100
x2



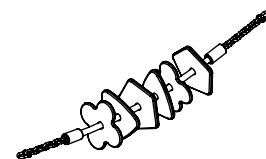
121115
x1



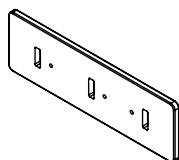
126103
x1



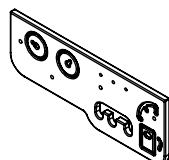
121116
x1



124112
x2



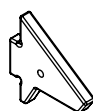
121118
x1



141176
x1



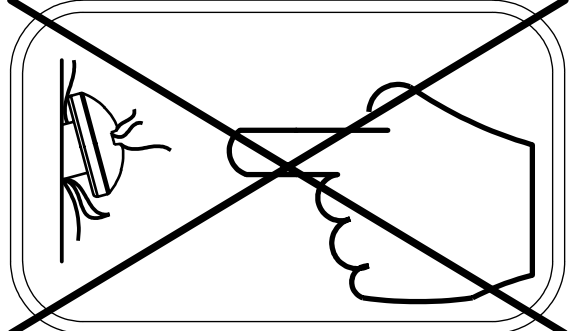
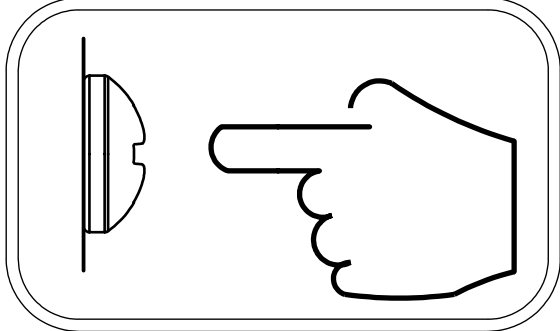
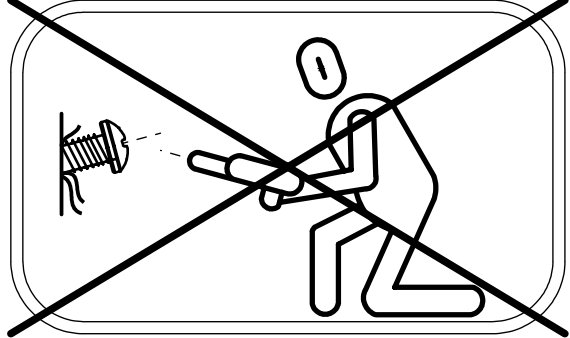
141173
x1



141174
x3

24x	5x30 sxs
16x	5x50 sxs
24x	8x50 sxi

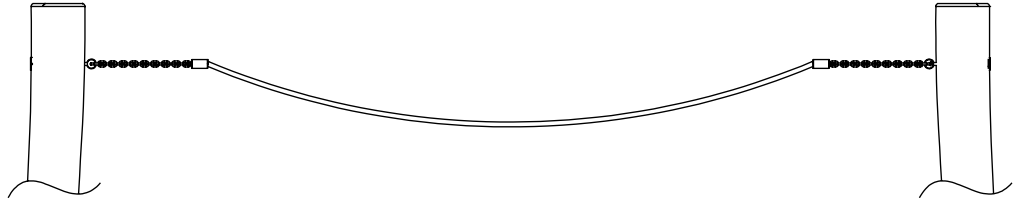
8x	b389
2x	12e007
1x	12e014
4x	12e022
1x	12e073
1x	12e074
1x	12e081
1x	12e101
1x	12e102
1x	12e103
1x	V001



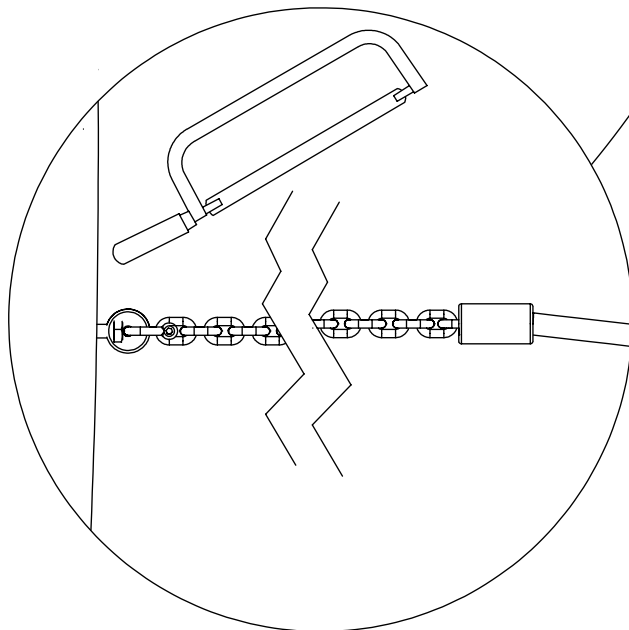
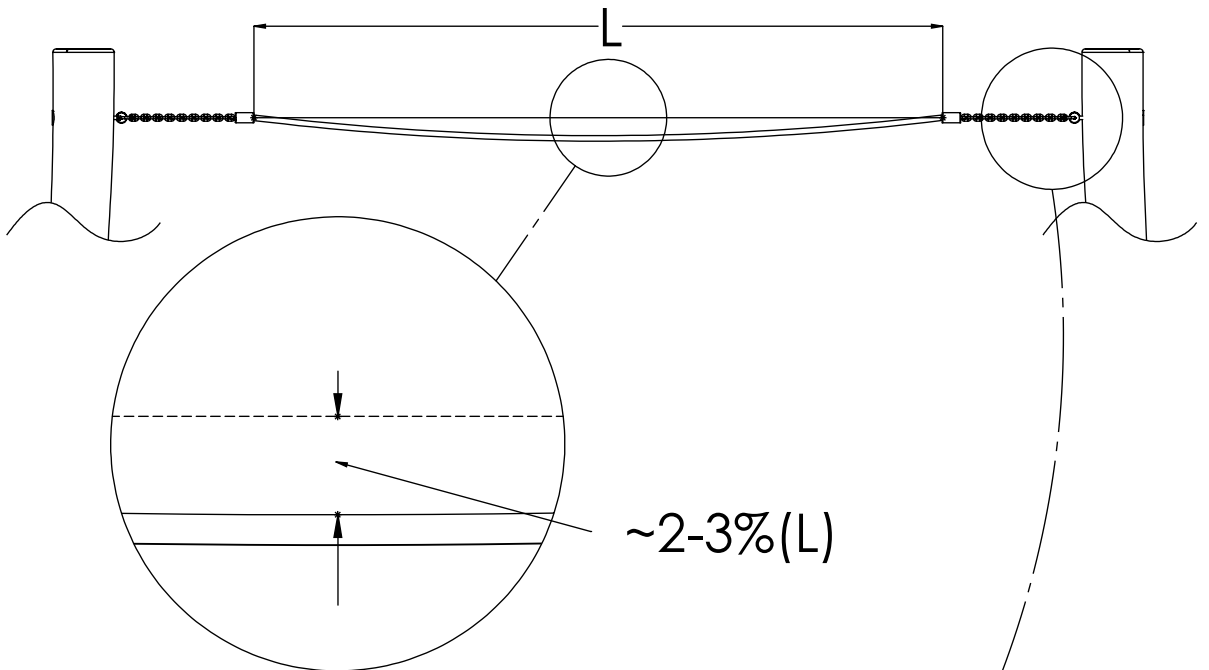
X

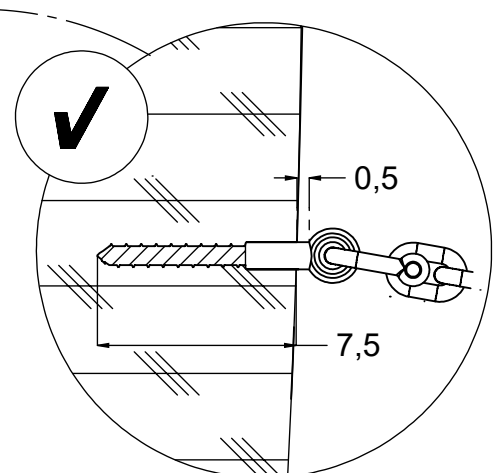
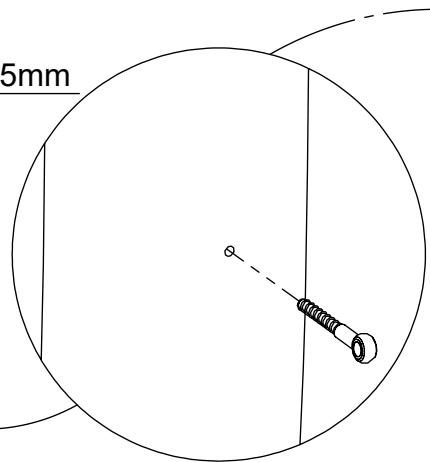
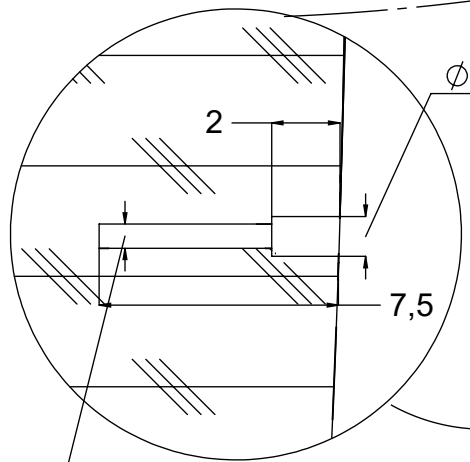
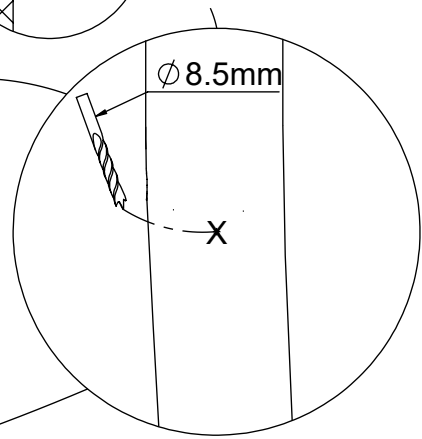
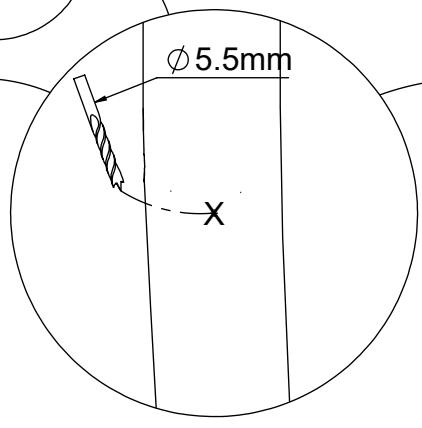
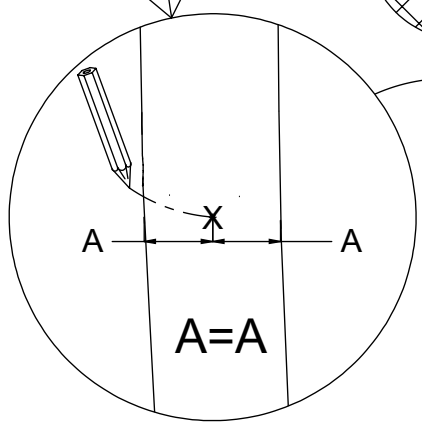
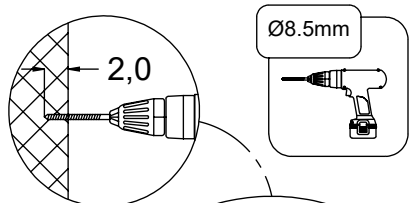
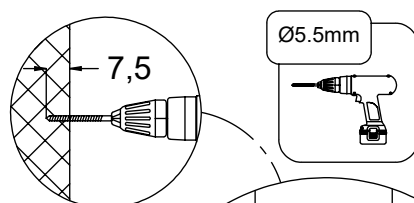
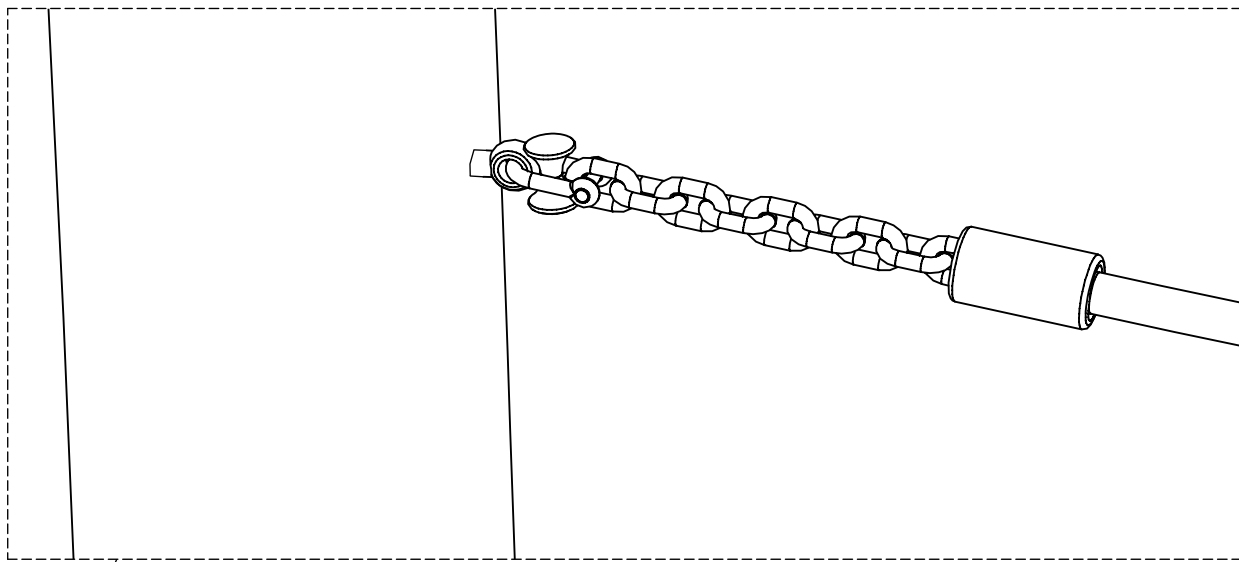


X



V



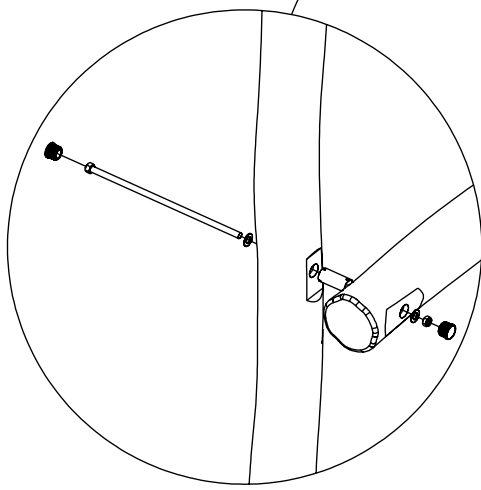
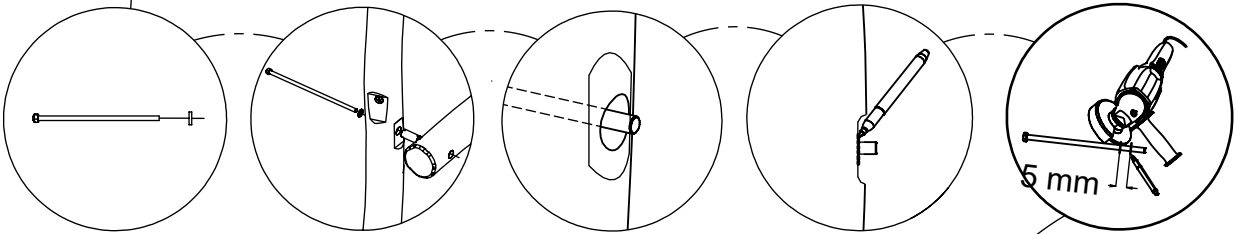
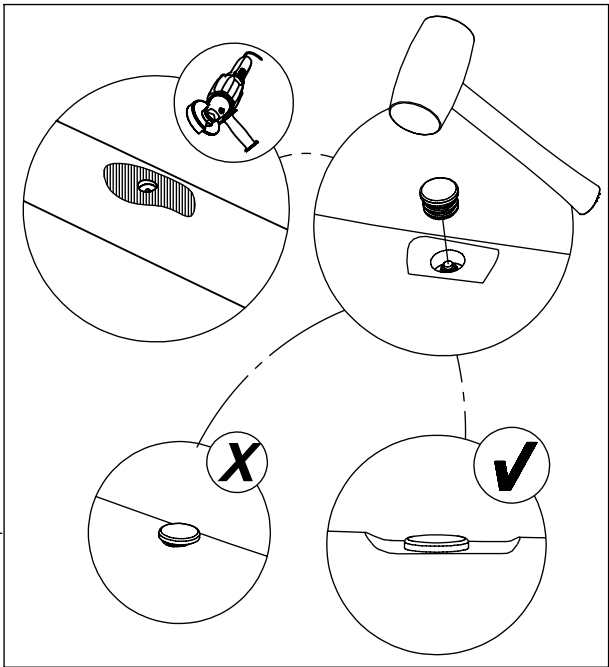
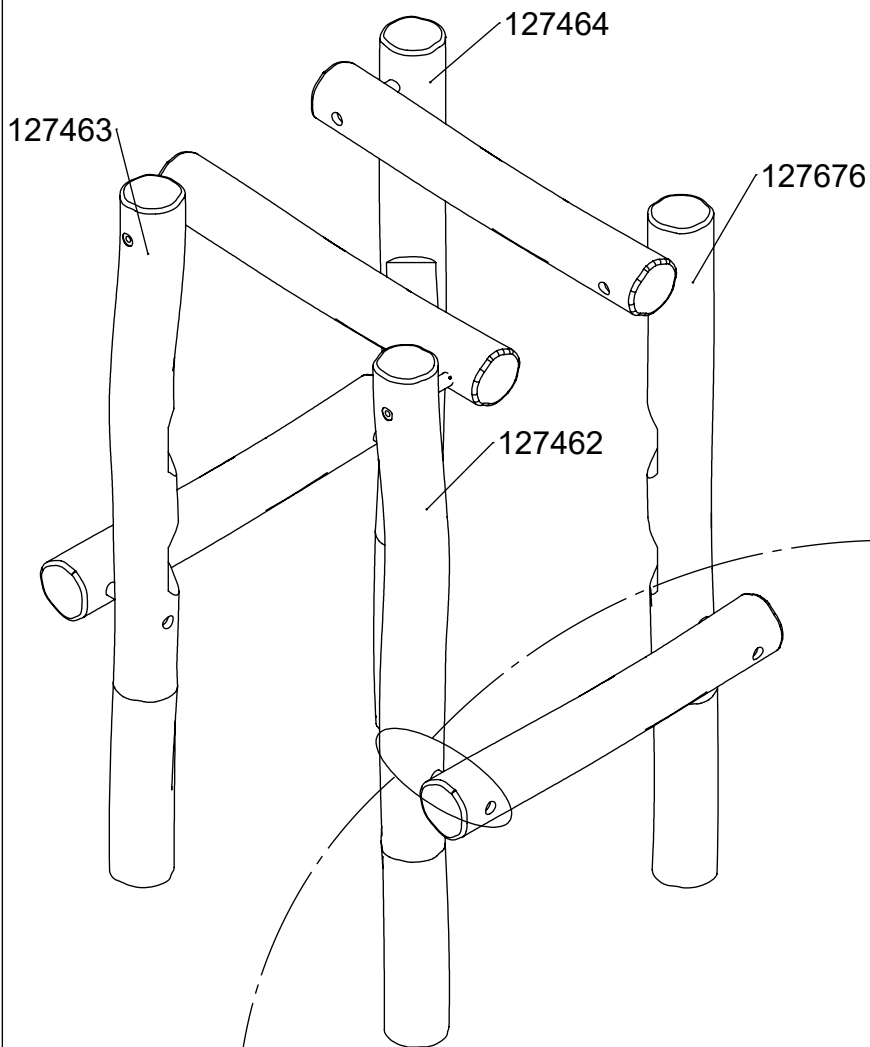


Ø5.5 mm

Ø8.5mm

vinci play

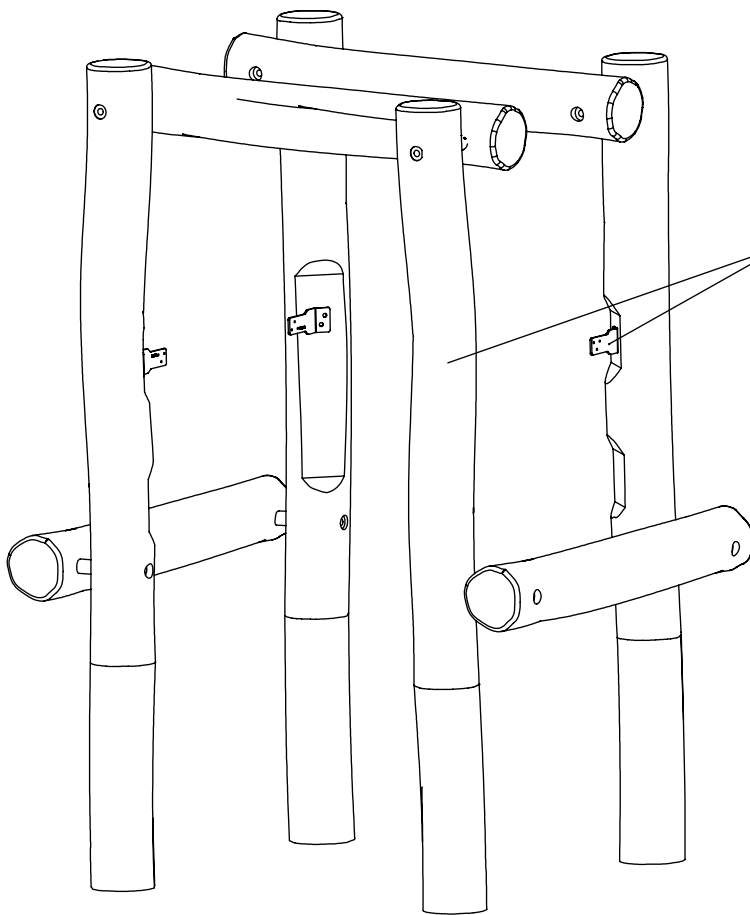
[cm]



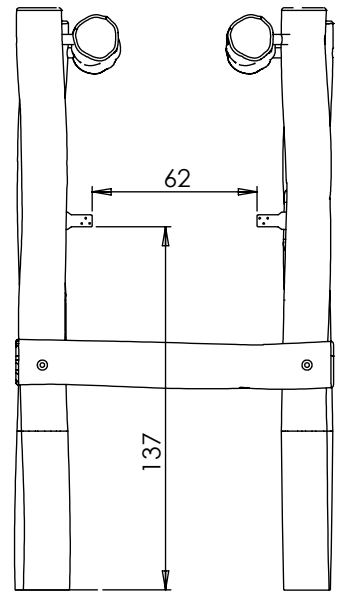
4x 12e022

[cm]

vinci
play

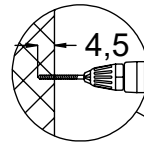
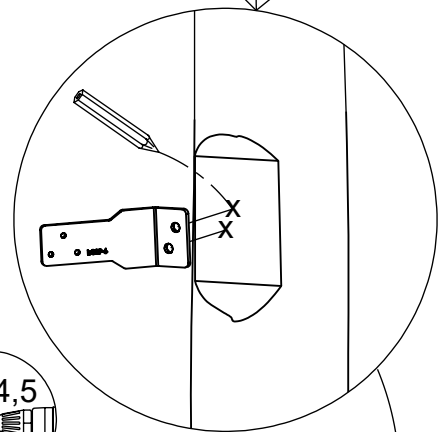


4x b389

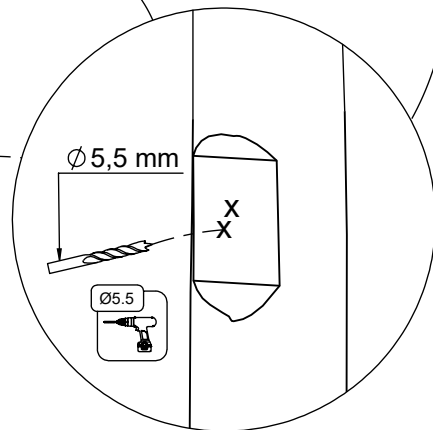


62

137

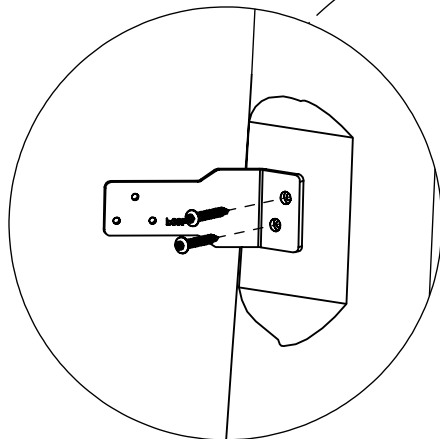


4,5



Ø 5,5 mm

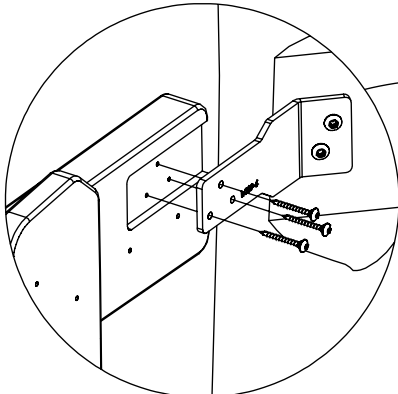
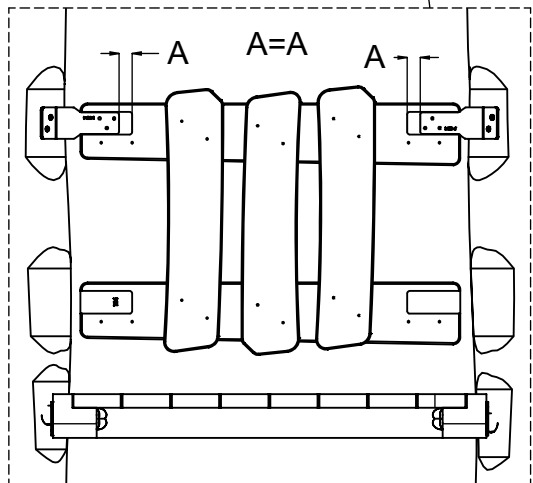
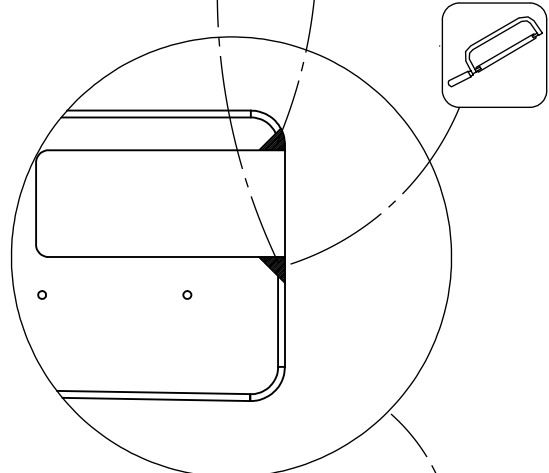
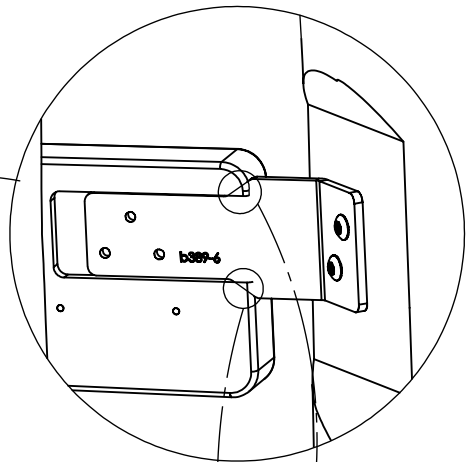
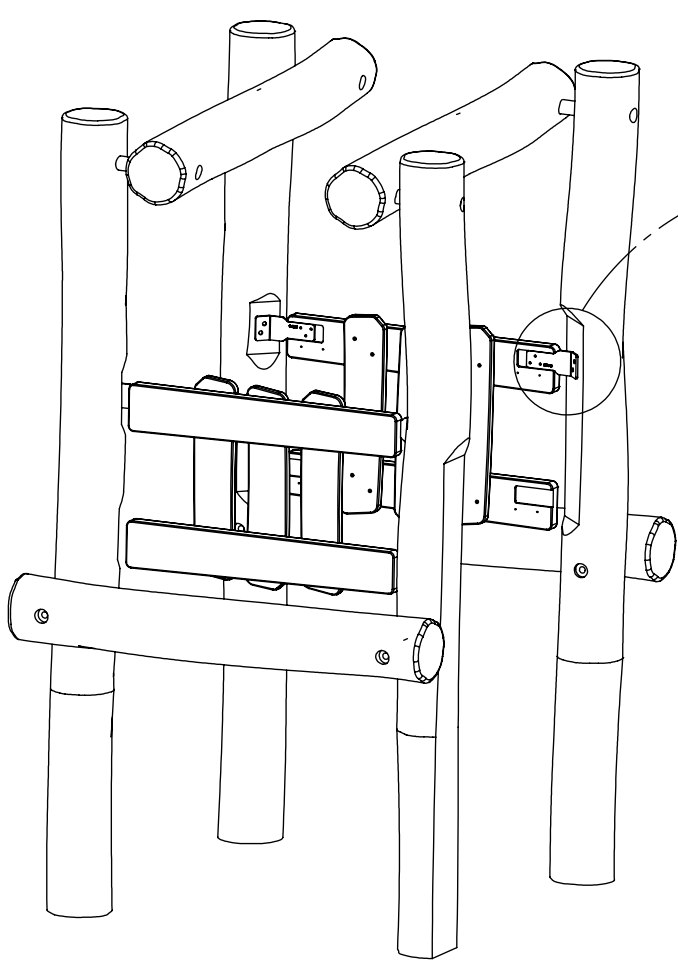
Ø 5.5



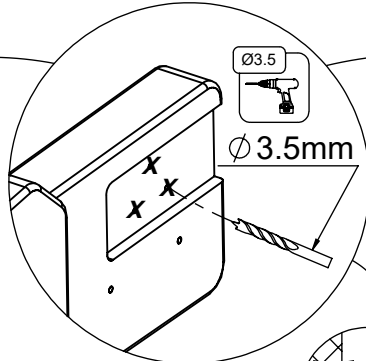
8x 8x50sxi

[cm]

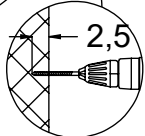
vinci
play



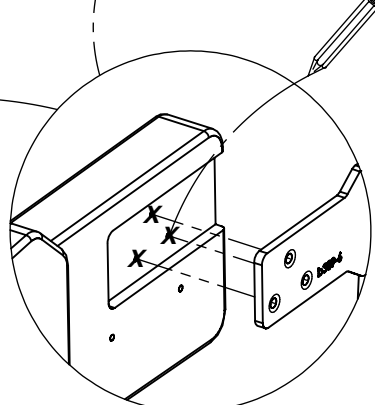
12x 5x30sxs



Ø3.5
Ø 3.5mm

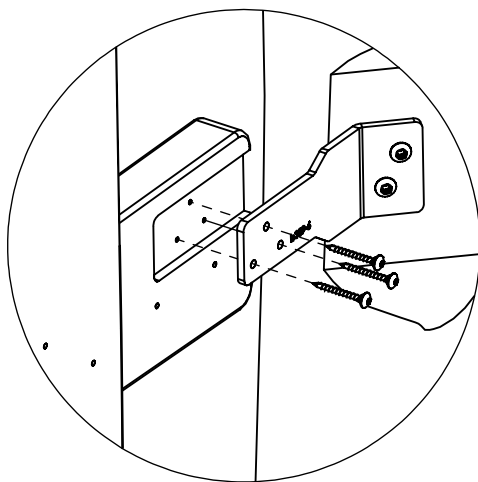
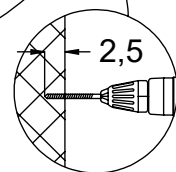
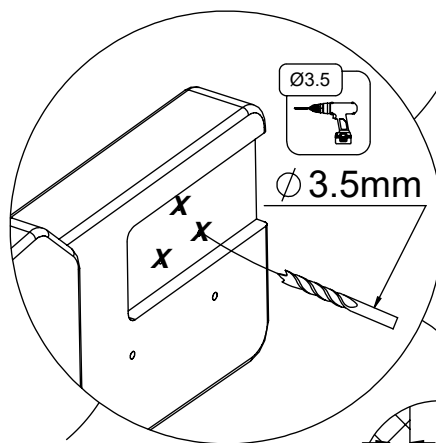
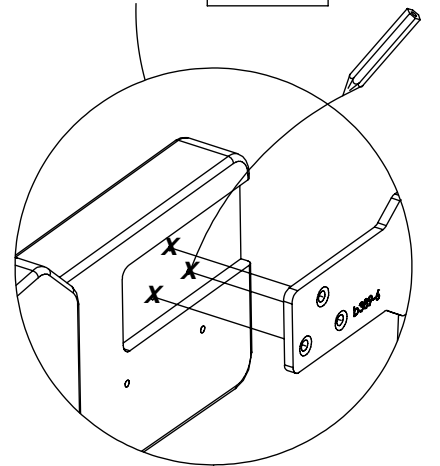
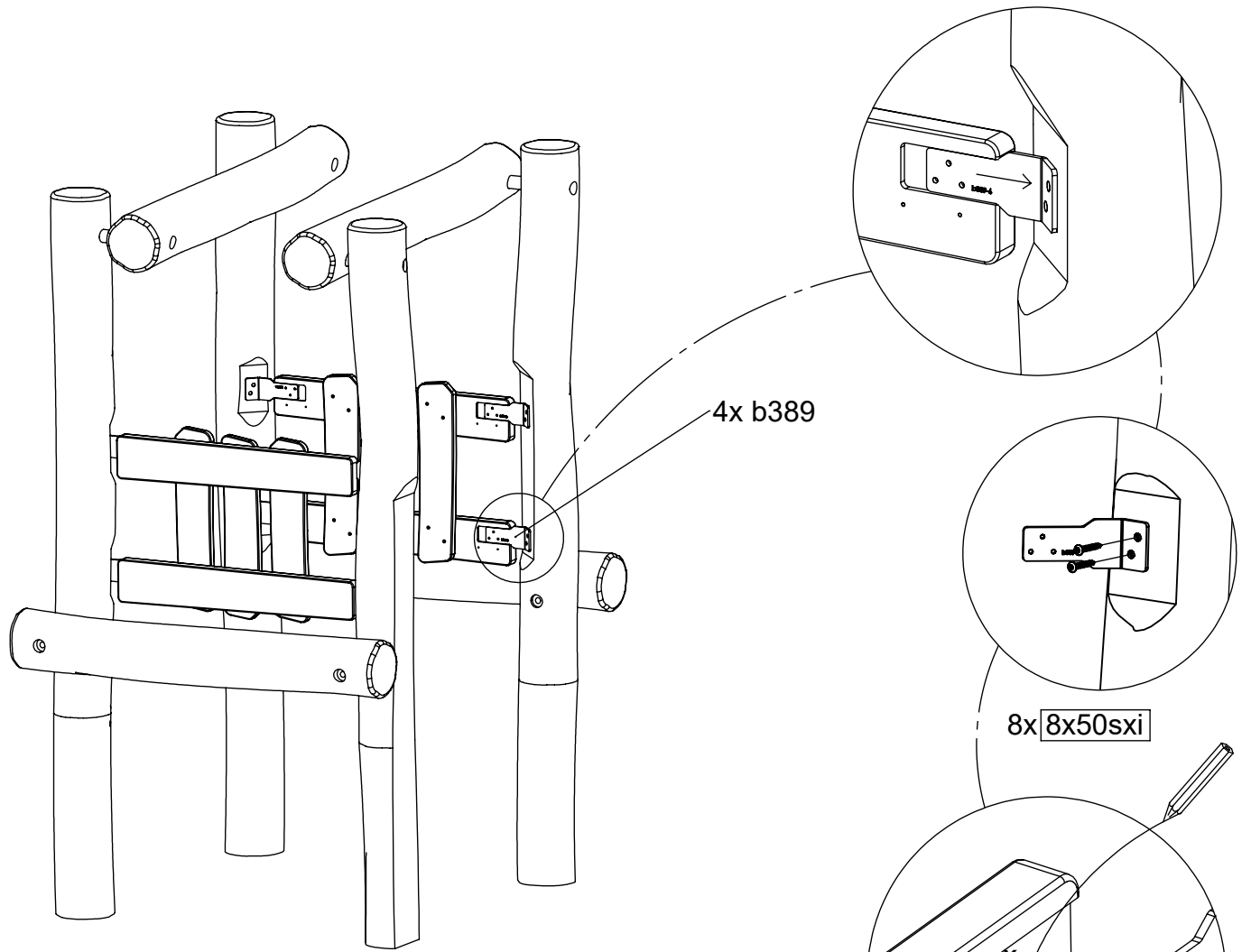


2,5



vinci
play

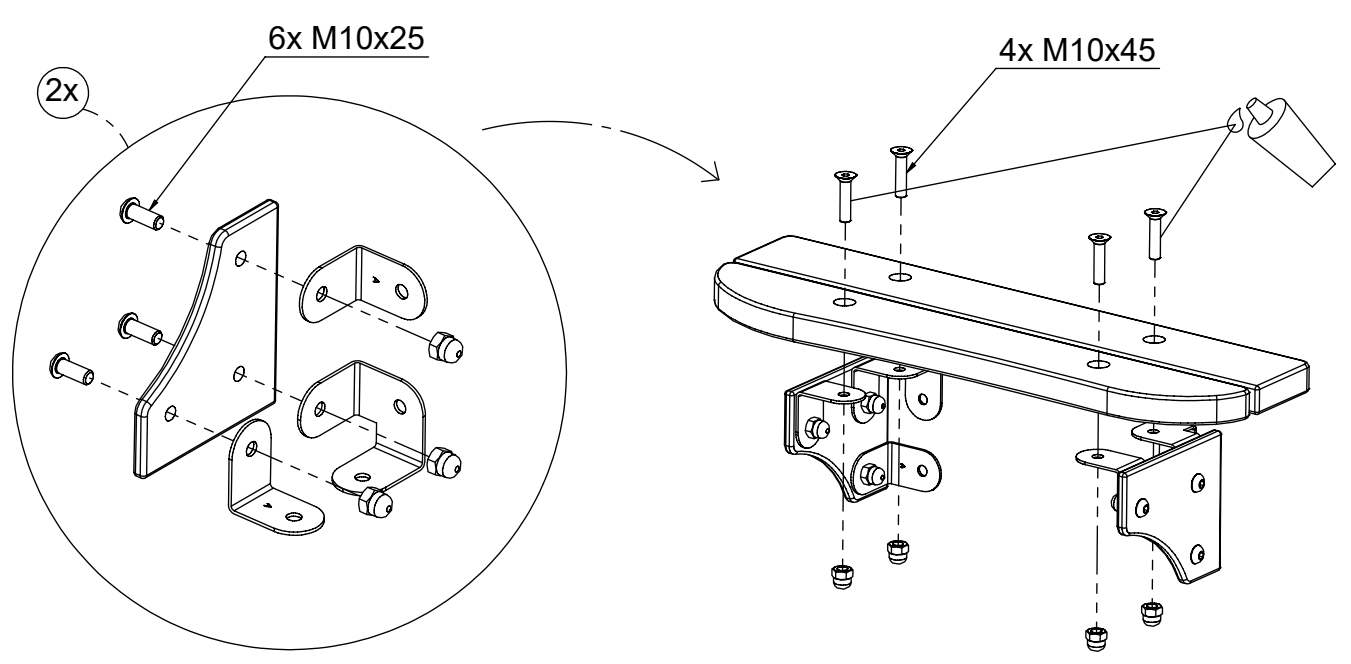
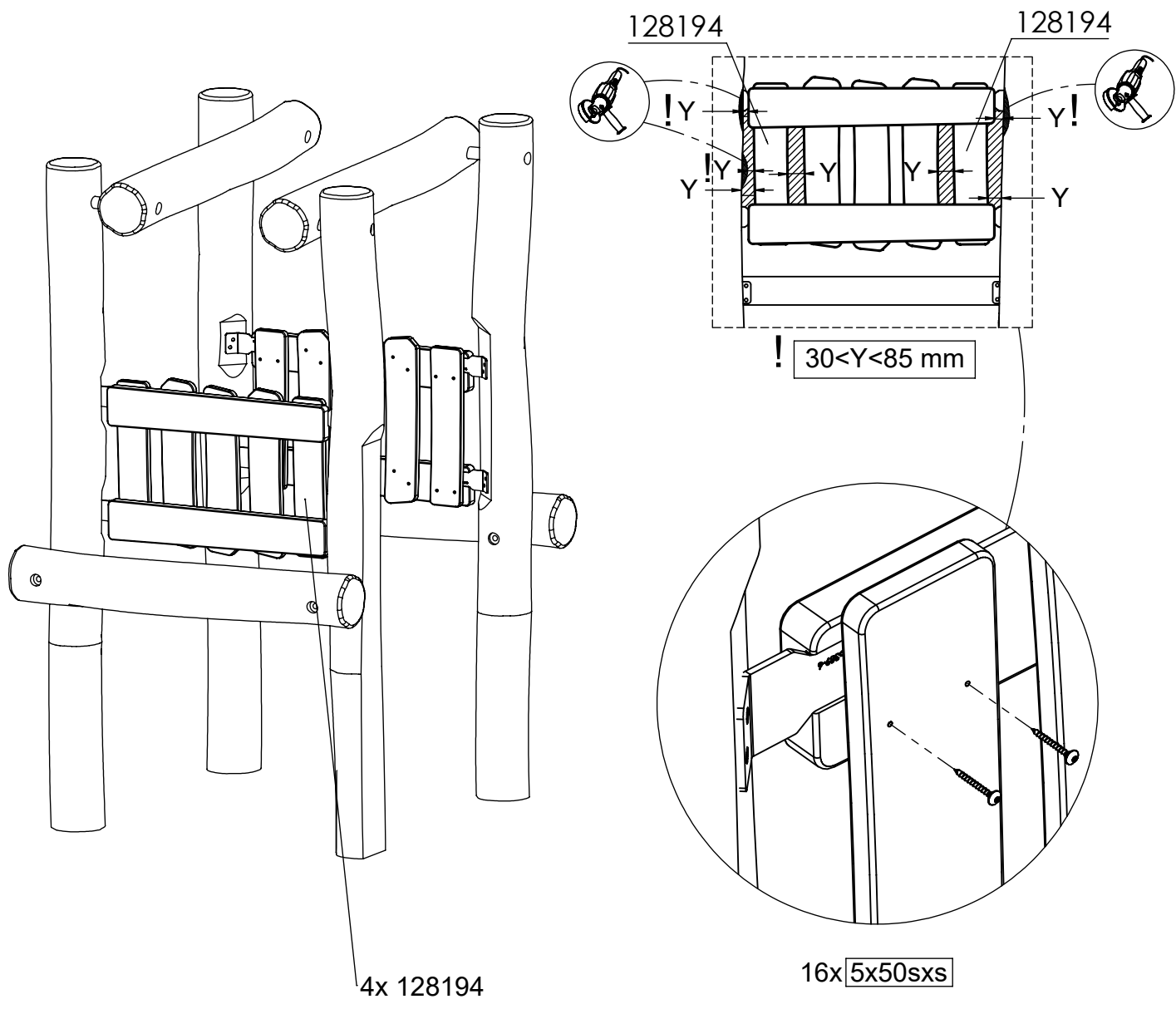
[cm]



12x 5x30sxs

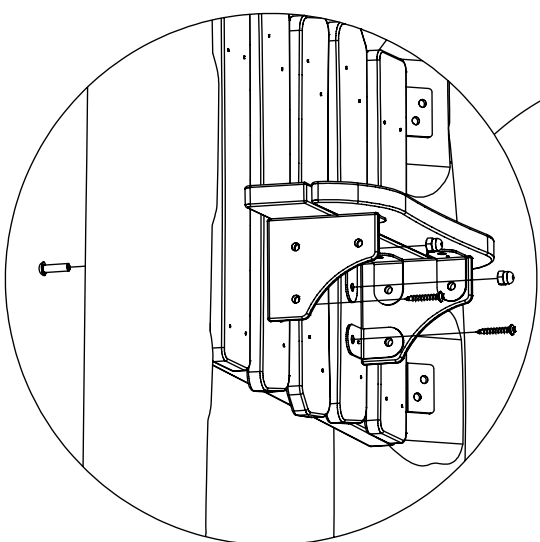
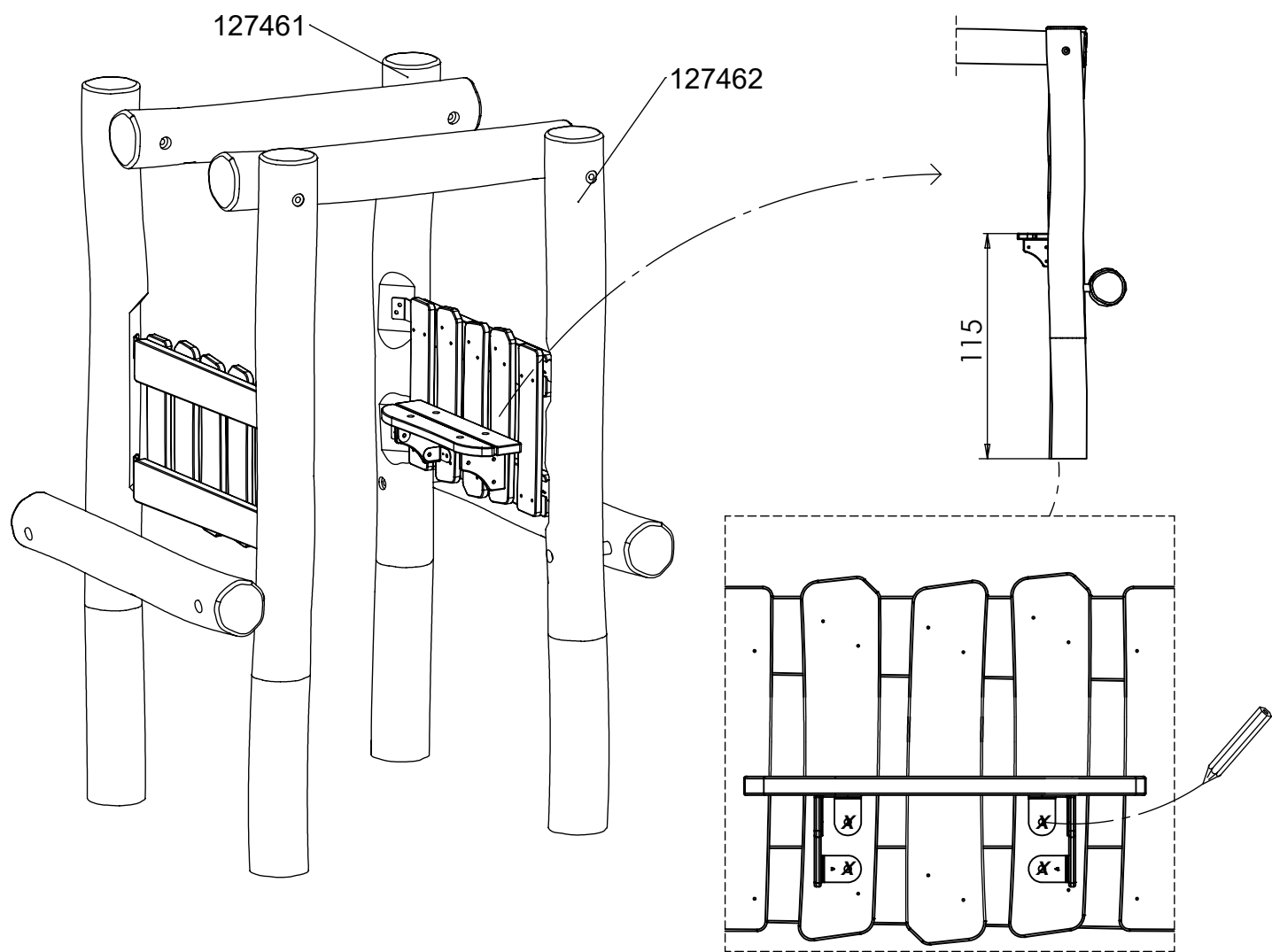
[cm]

vinci
play



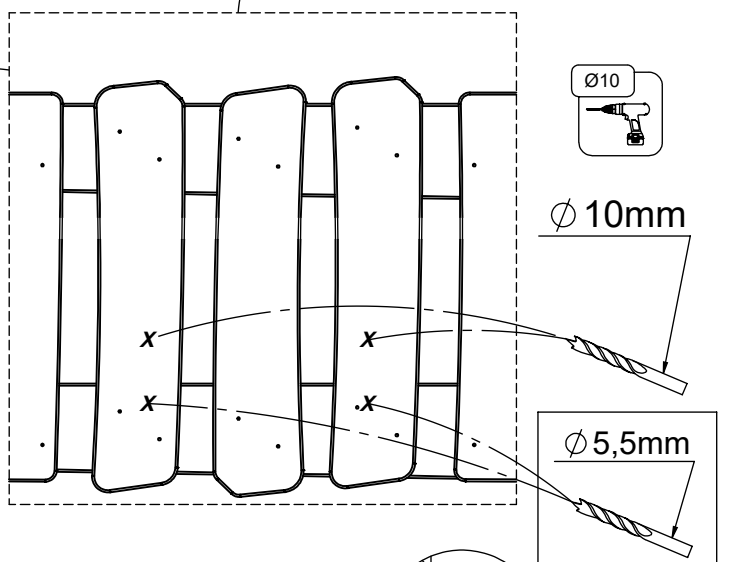
[cm]

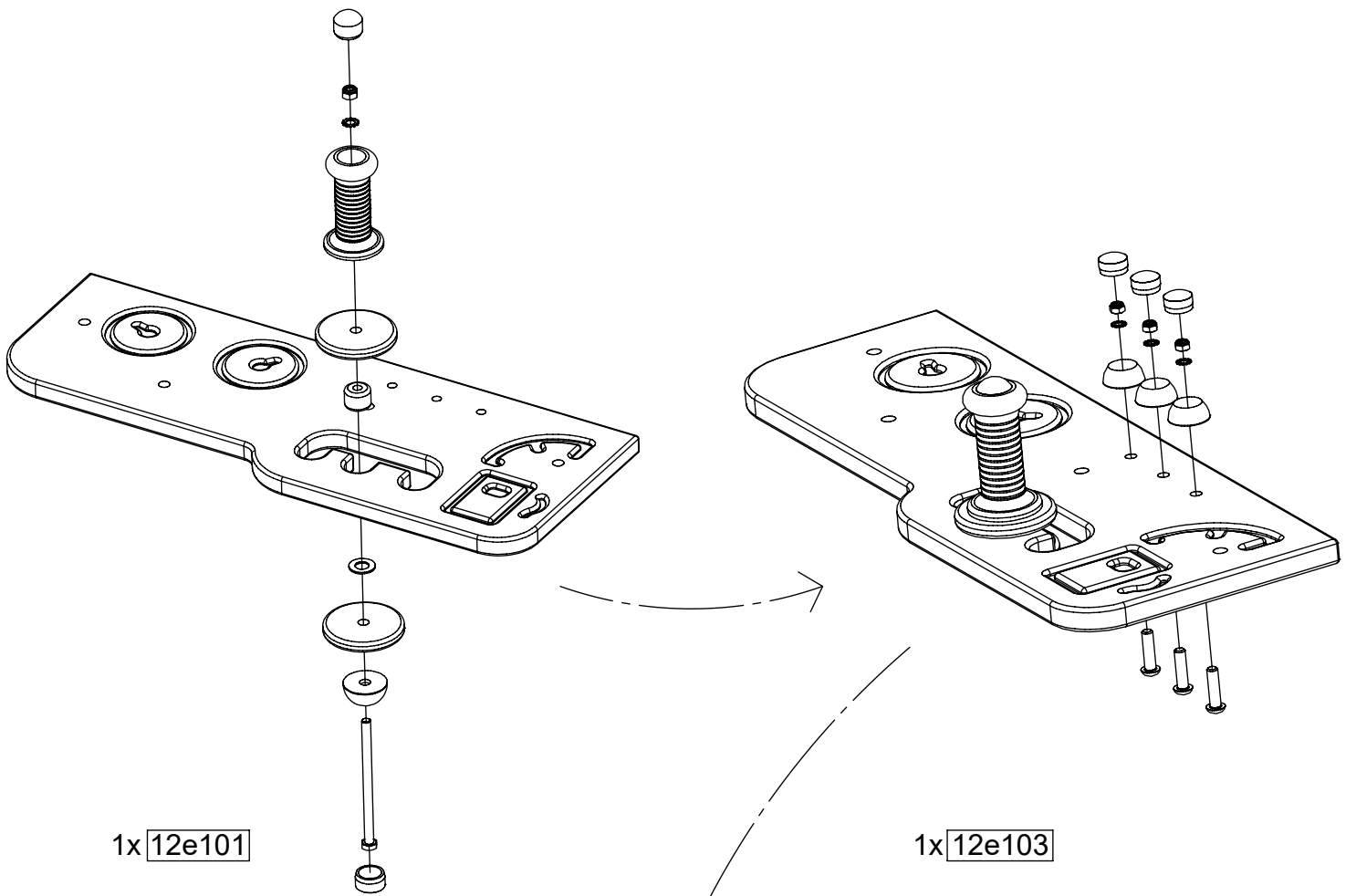
vinci
play



1x 12e014

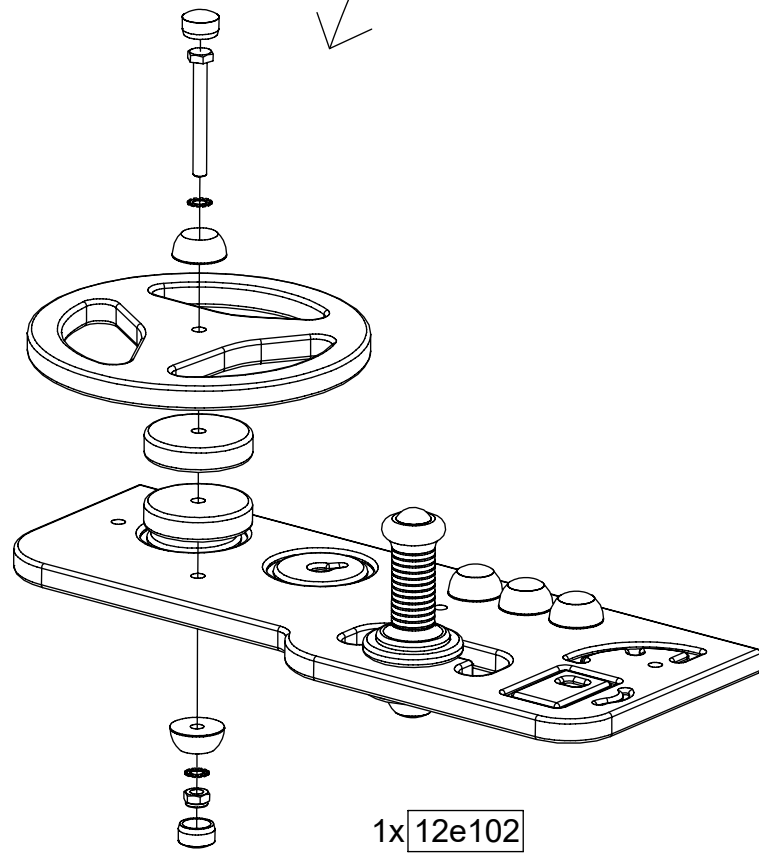
2x 8x50sxi





1x 12e101

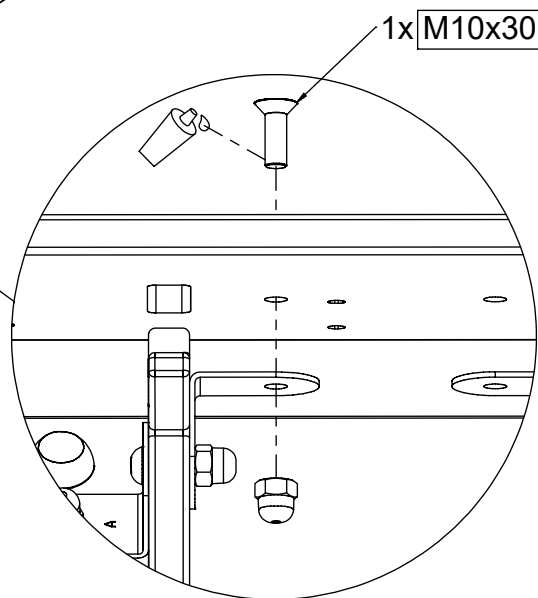
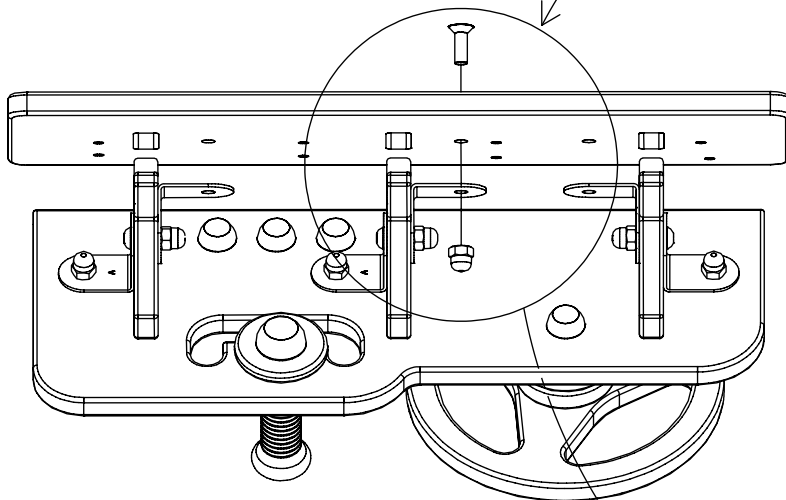
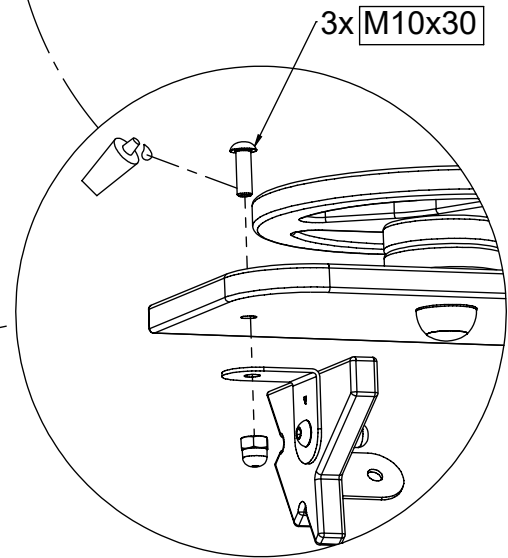
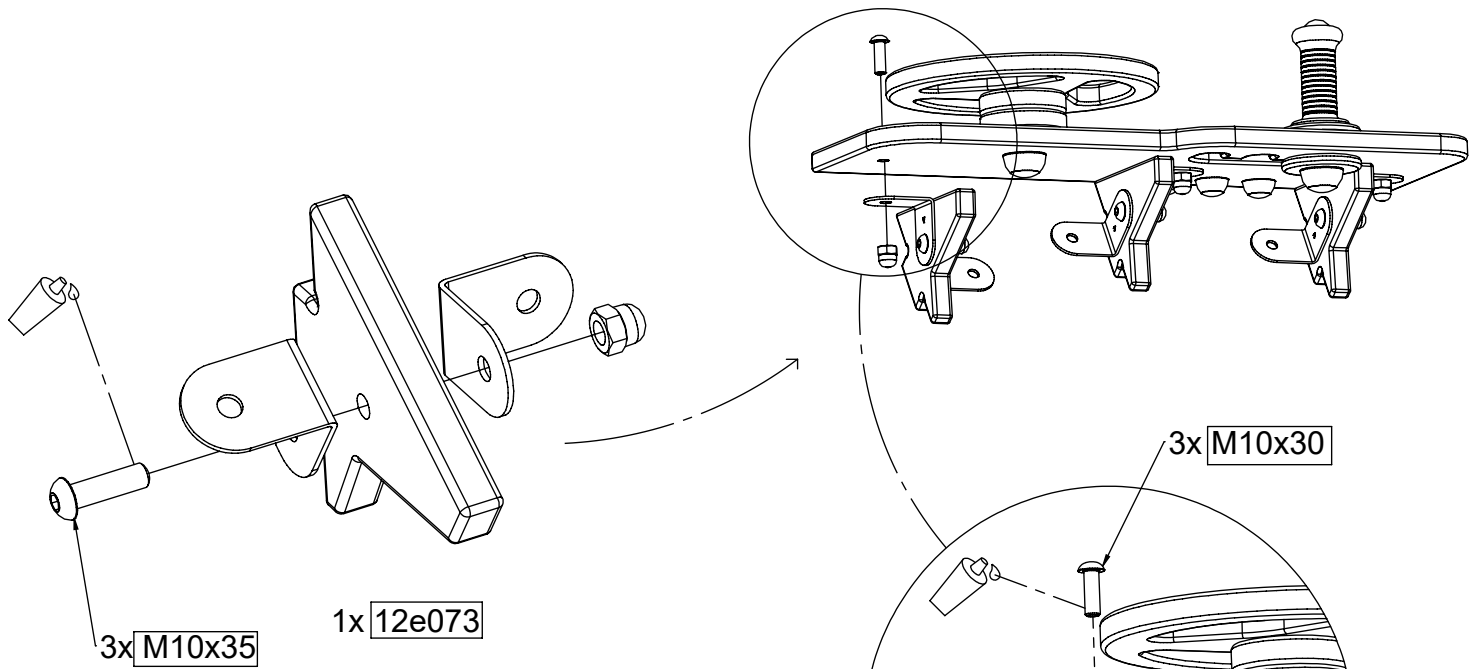
1x 12e103

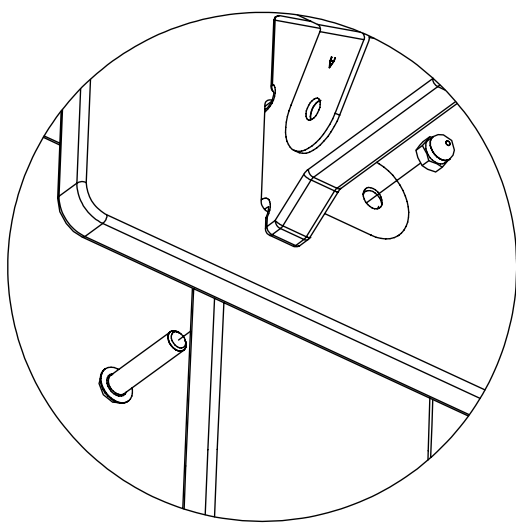
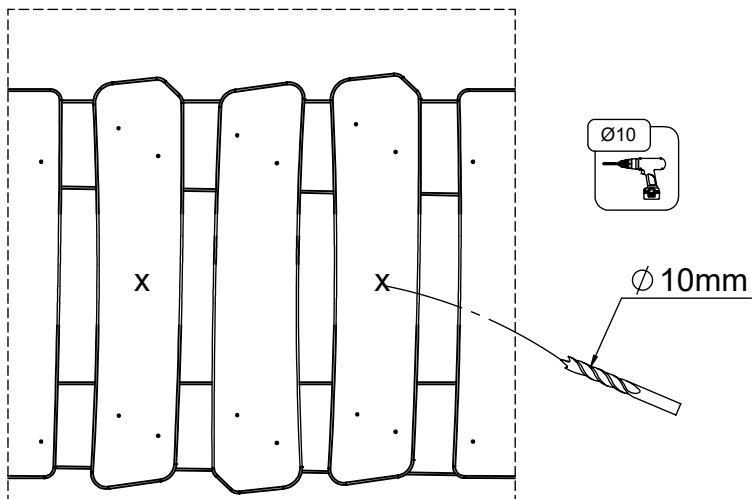
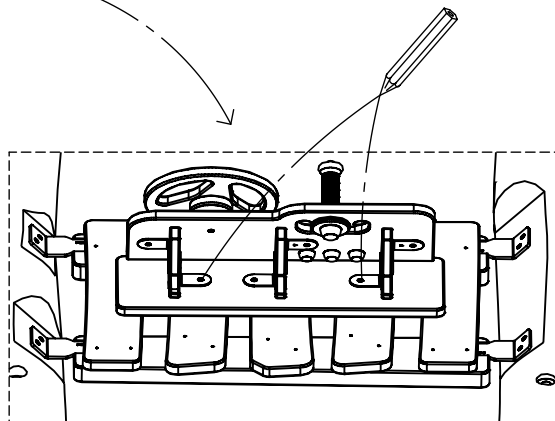
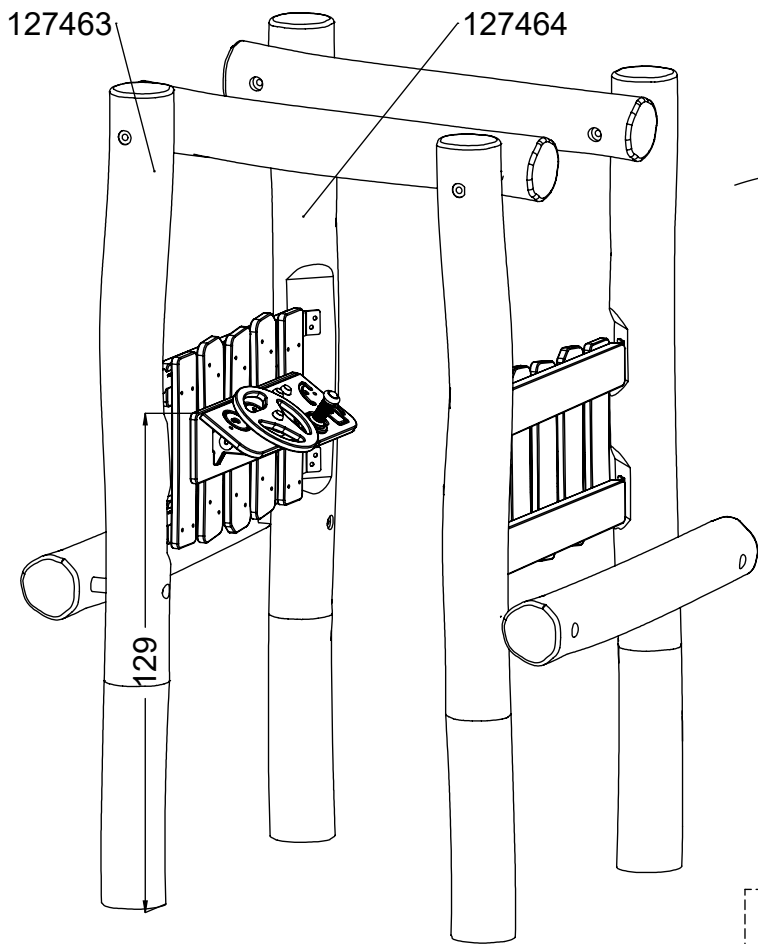


1x 12e102

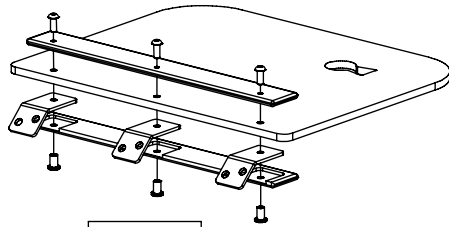
[cm]

vinci
play

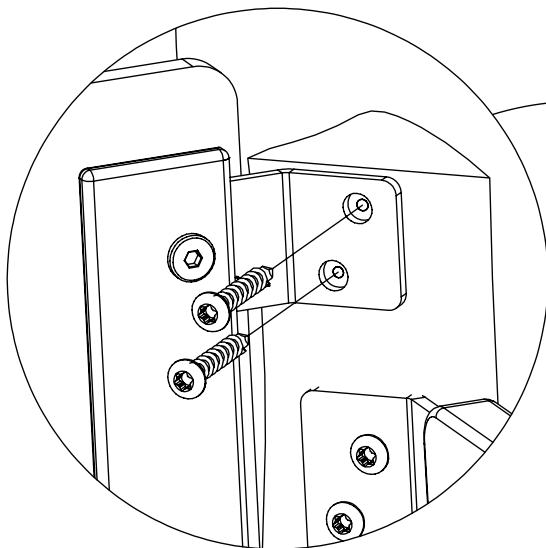
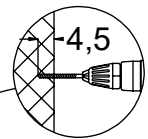
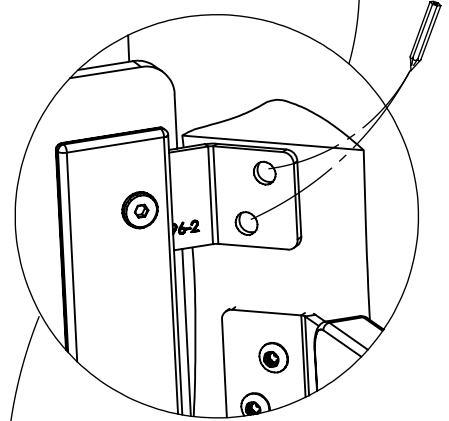
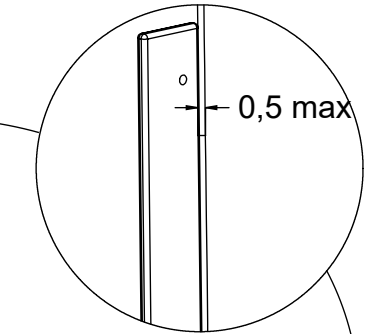
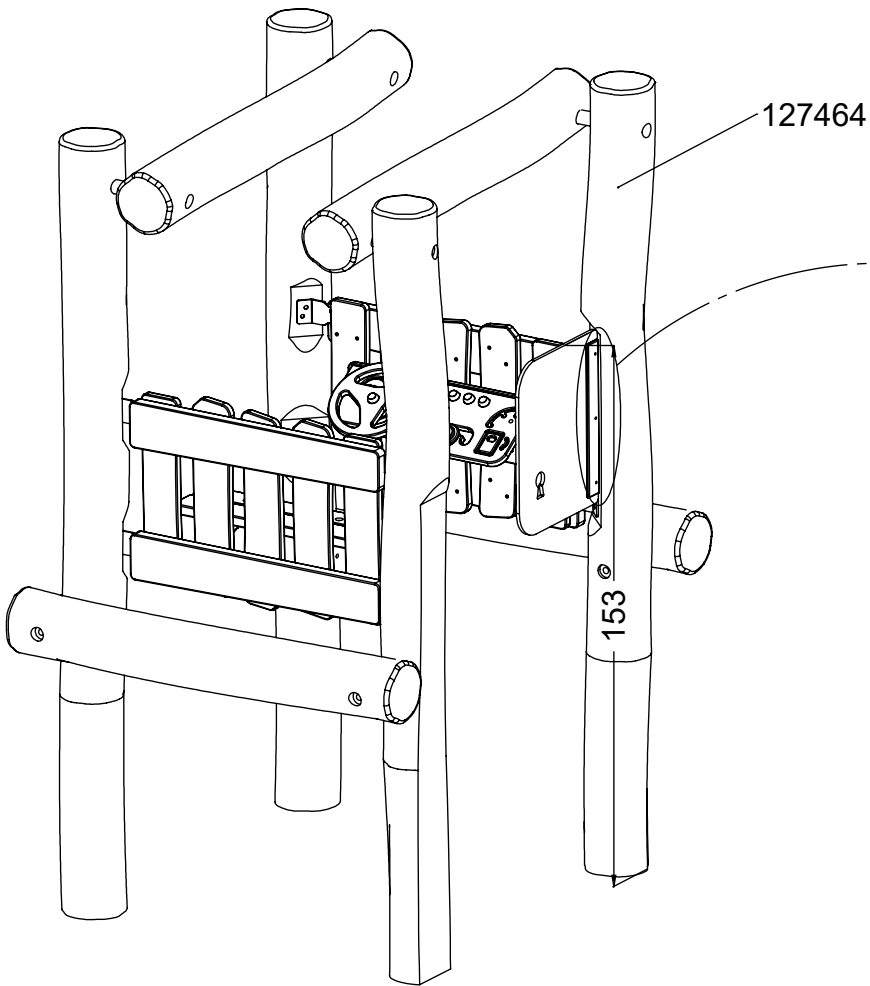




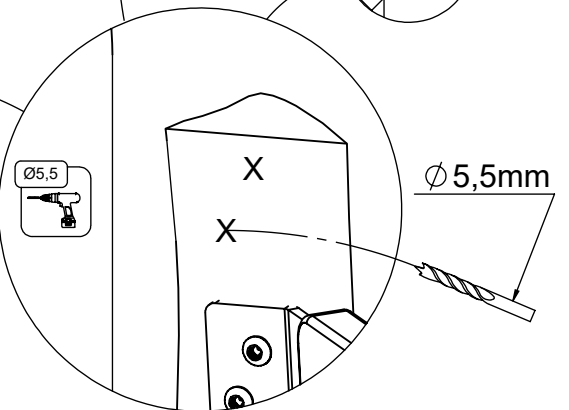
1x 12e074



1x 12e081

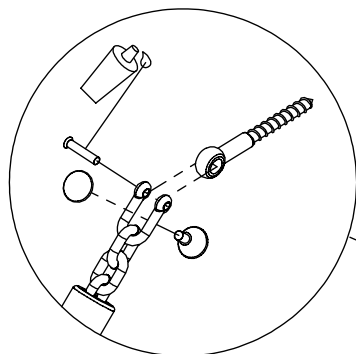
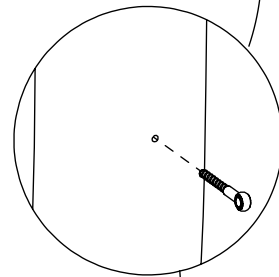
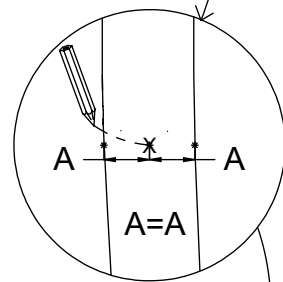
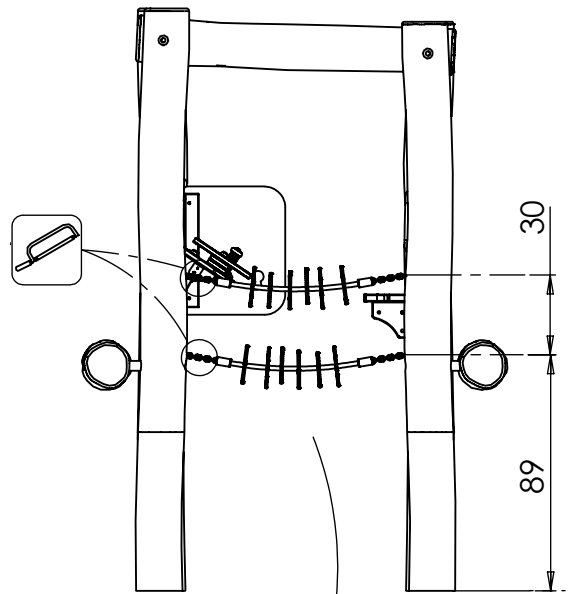
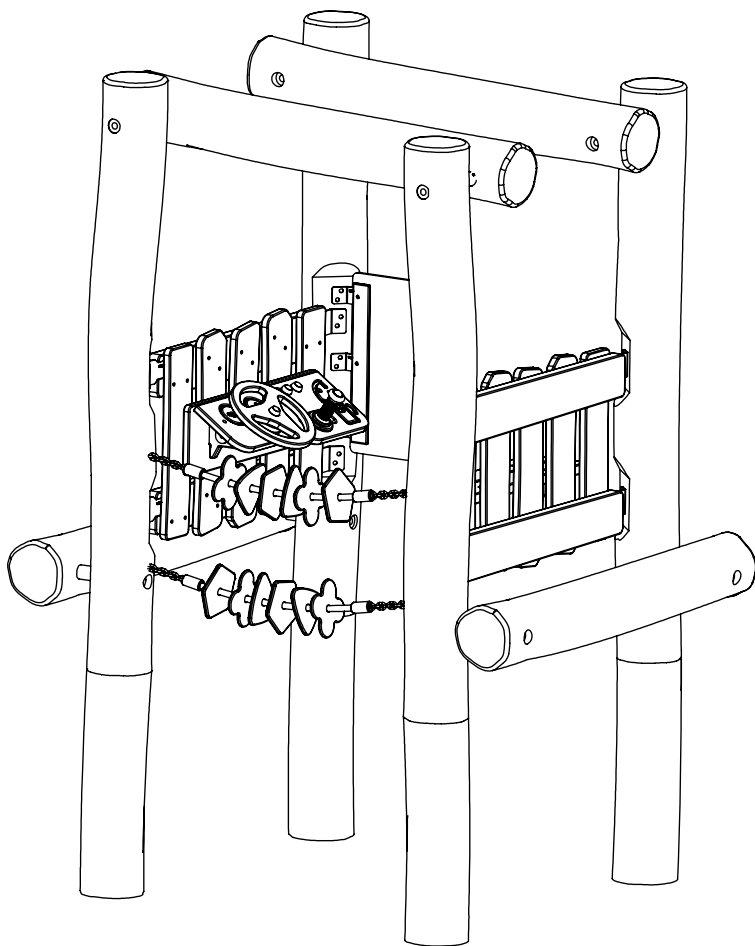


6x 8x50sxi

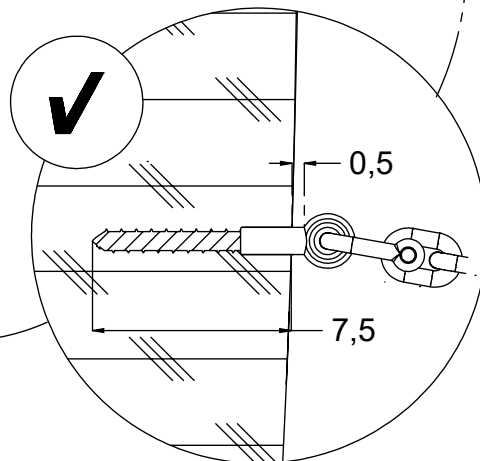


[cm]

vinci
play

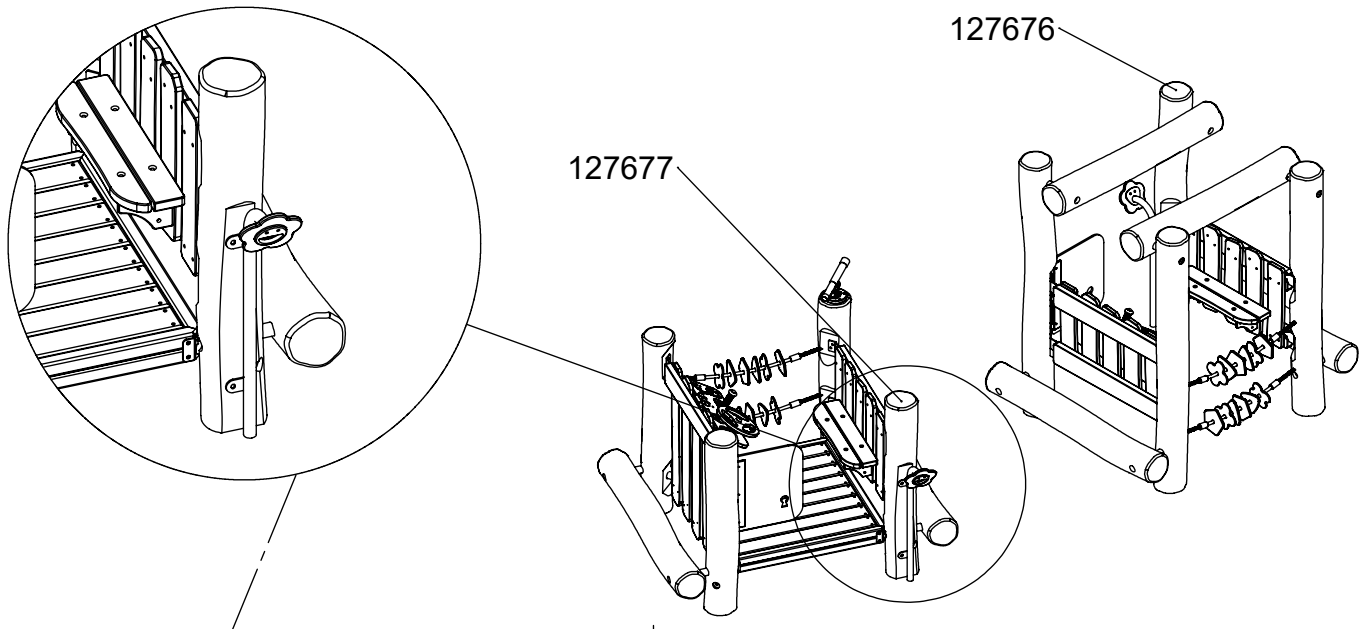


2x 12e007

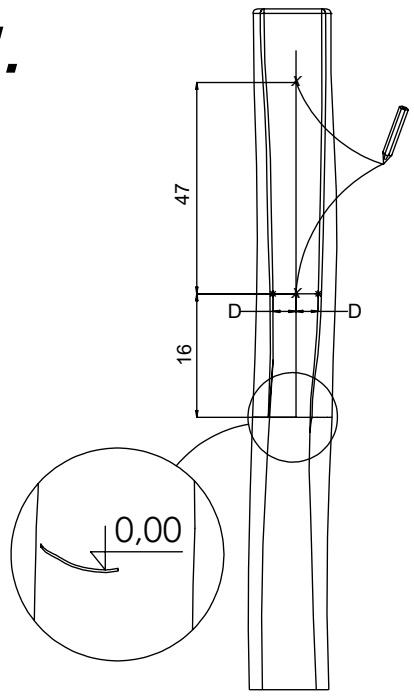


[cm]

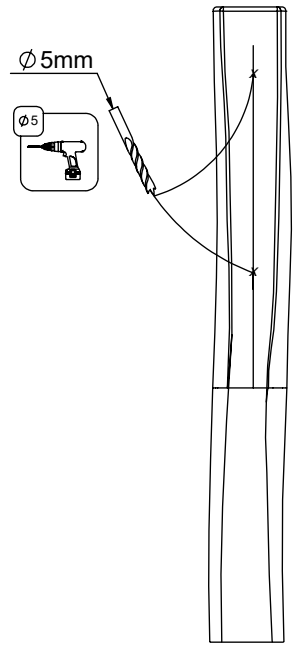
vinci
play



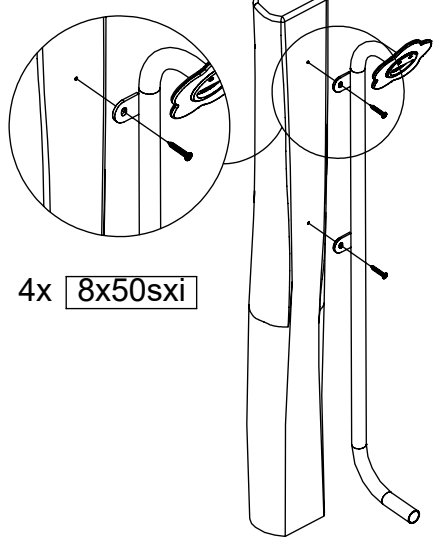
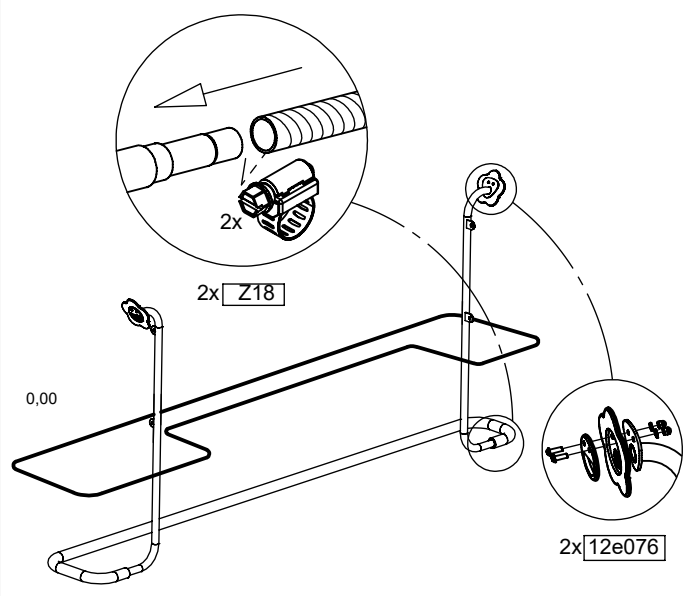
1.



2.

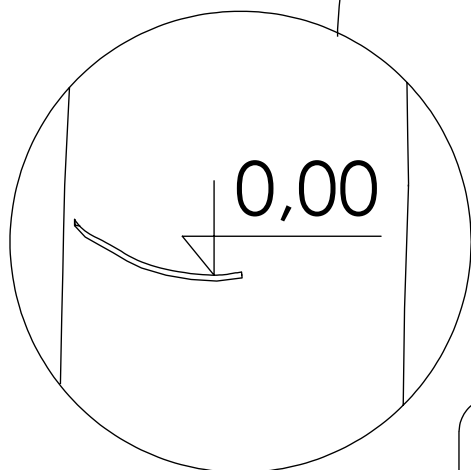
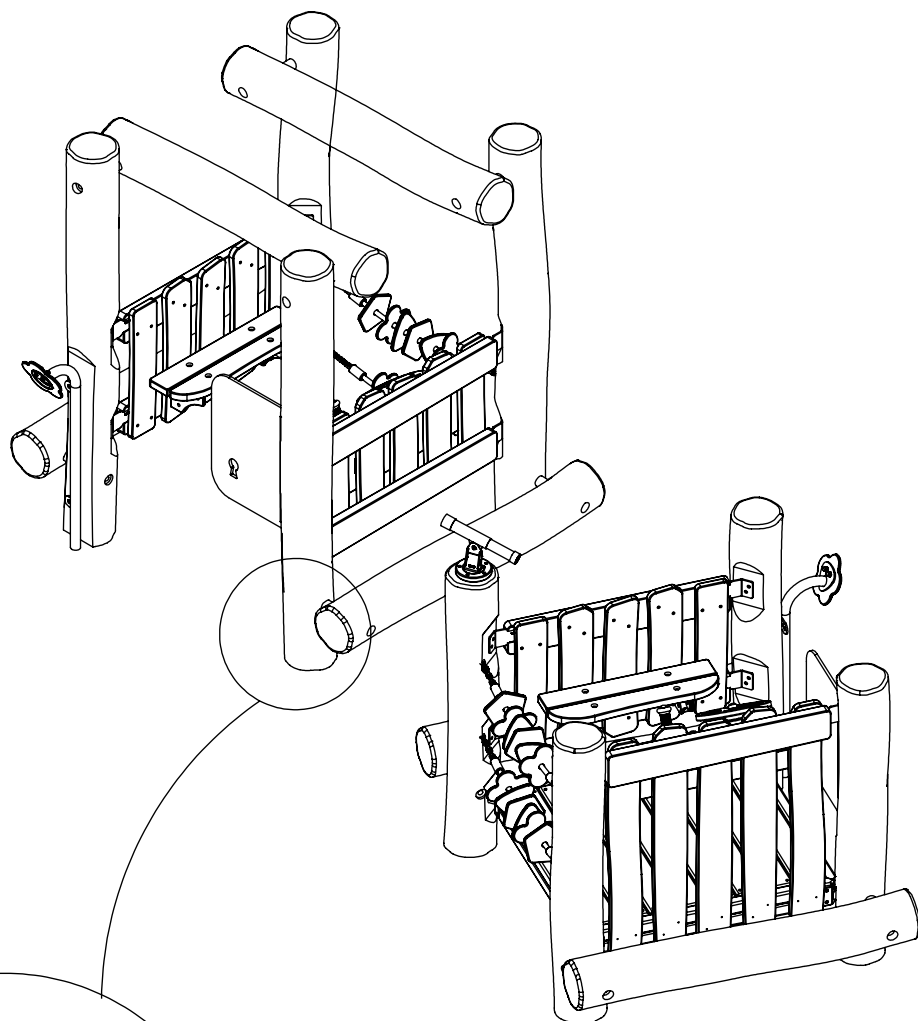


3.

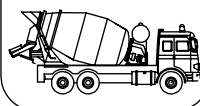


[cm]

vinci
play



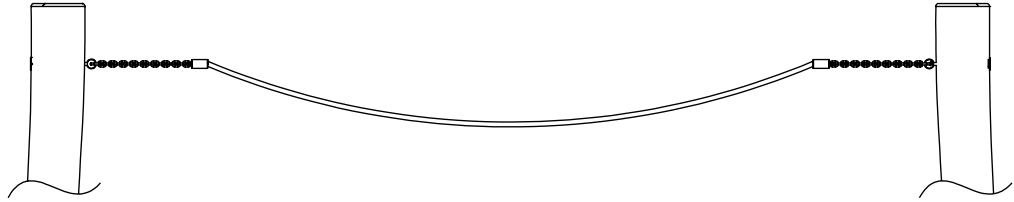
48h



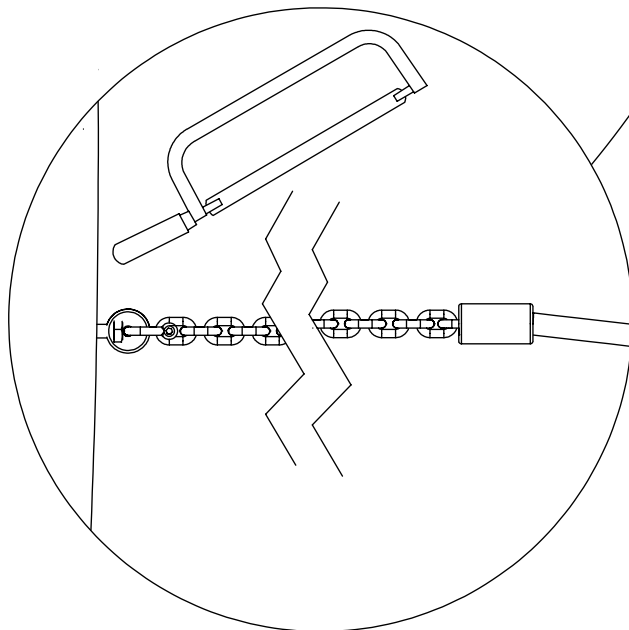
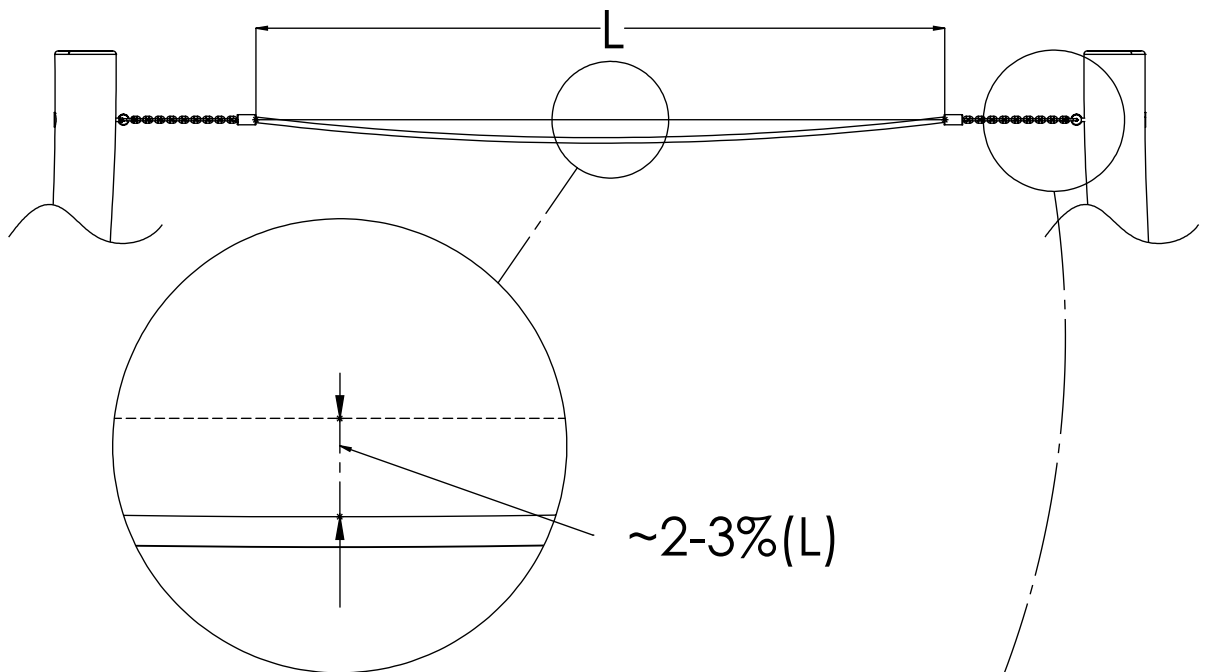
X

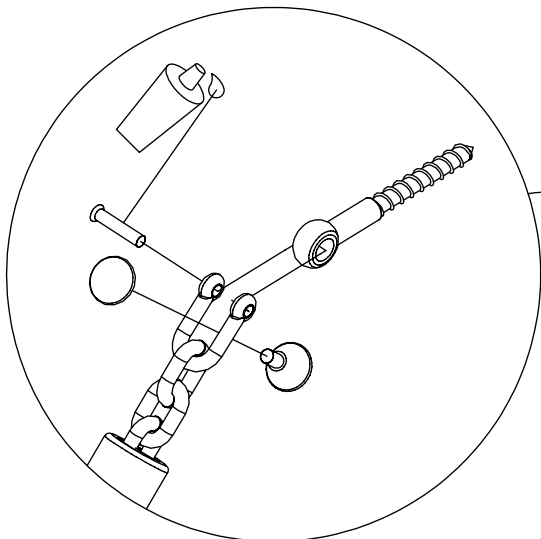
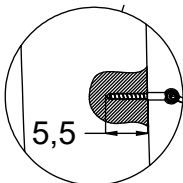
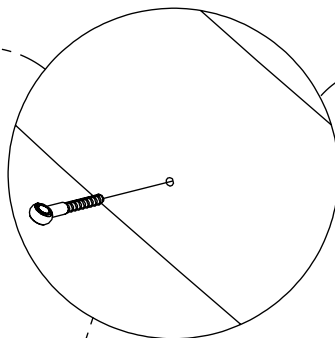
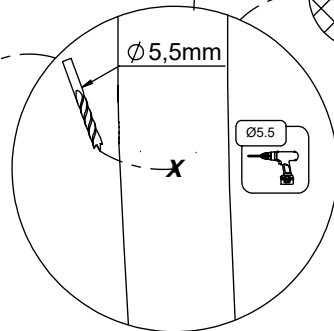
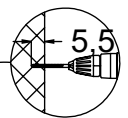
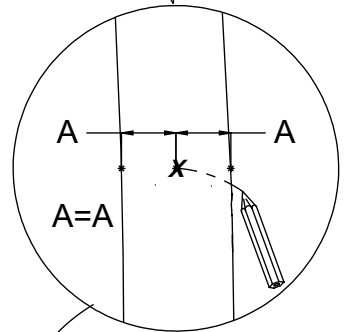
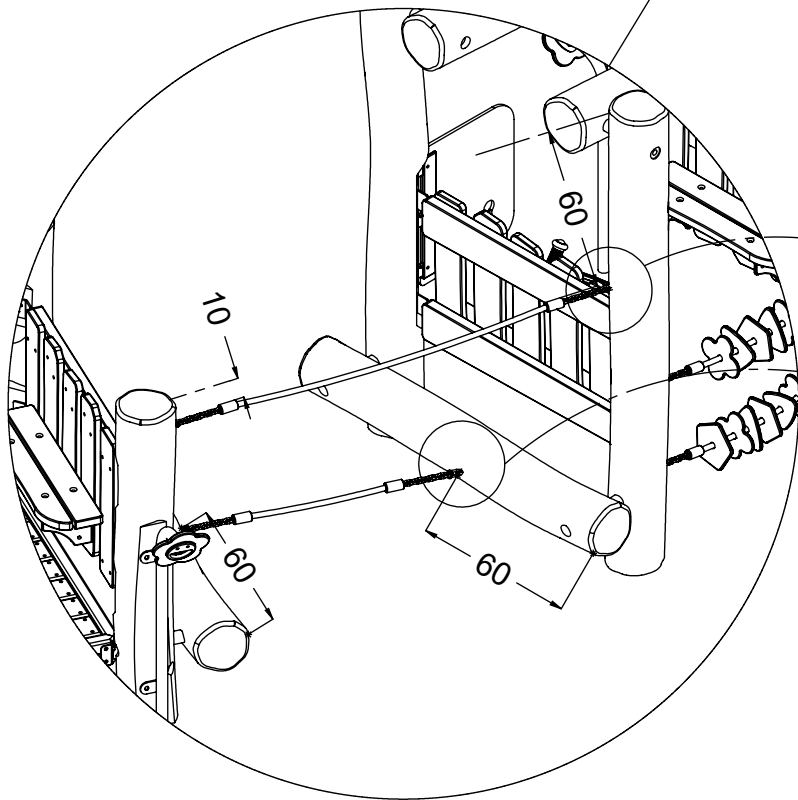
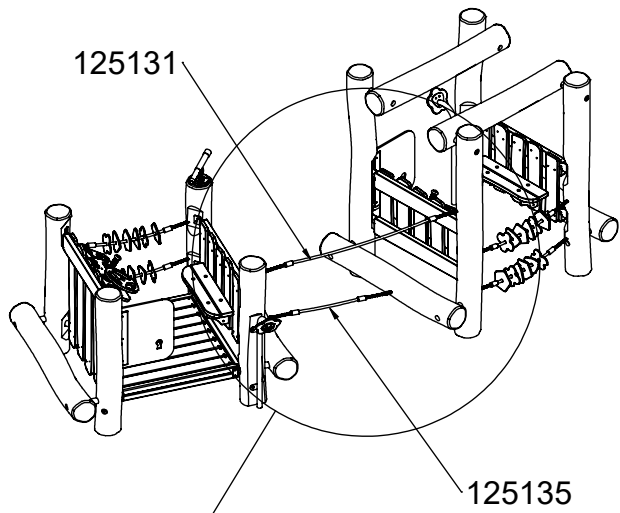


X



V

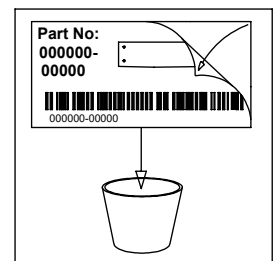
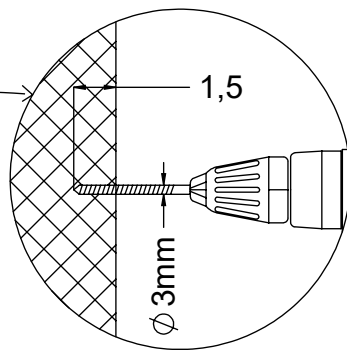
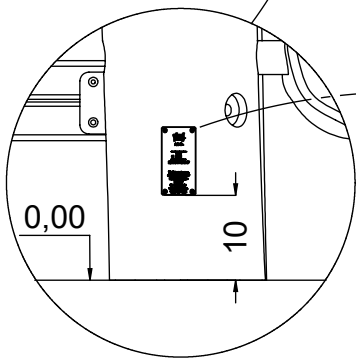
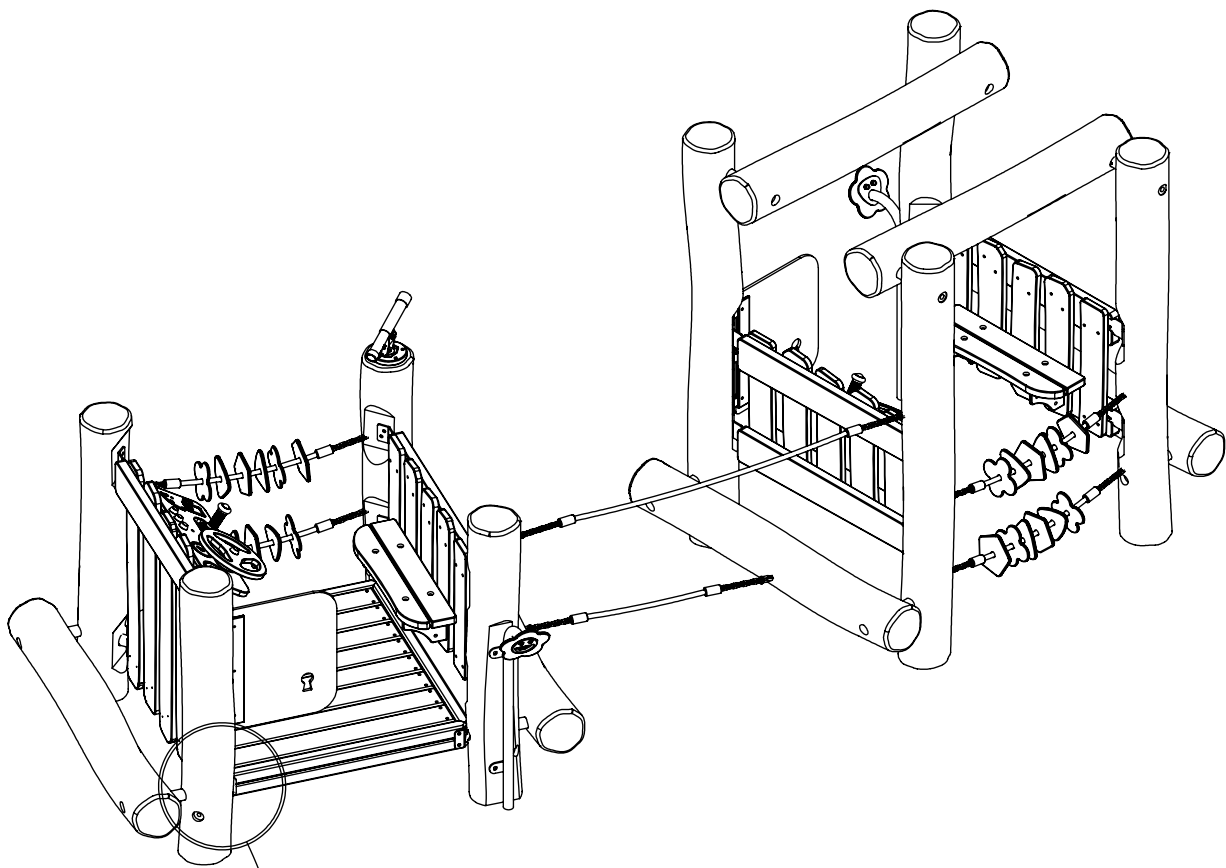




2x 12e007

[cm]

vinci
play



[cm]

vinci
play