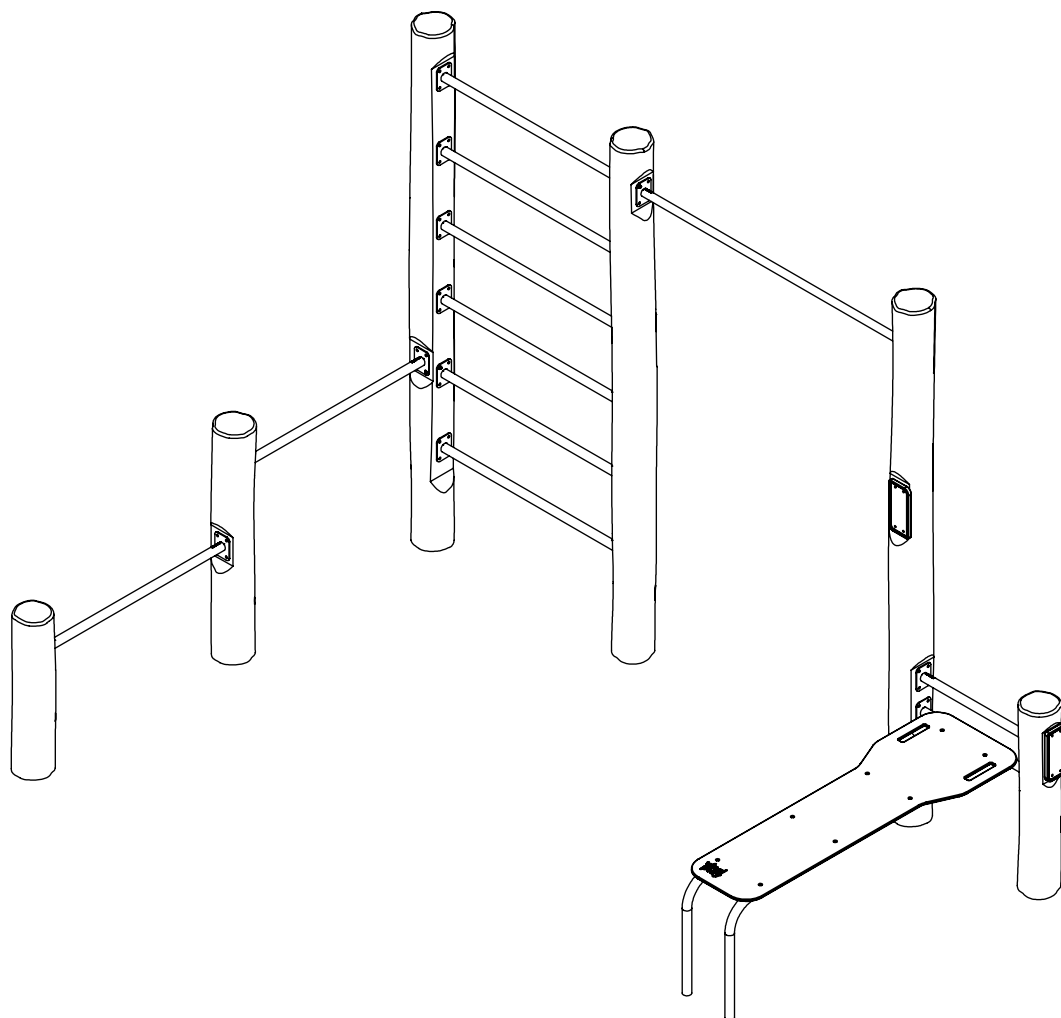


RB2323



3,5h

48h

K17
x2
>0,06m³

K25
x4
>0,06m³

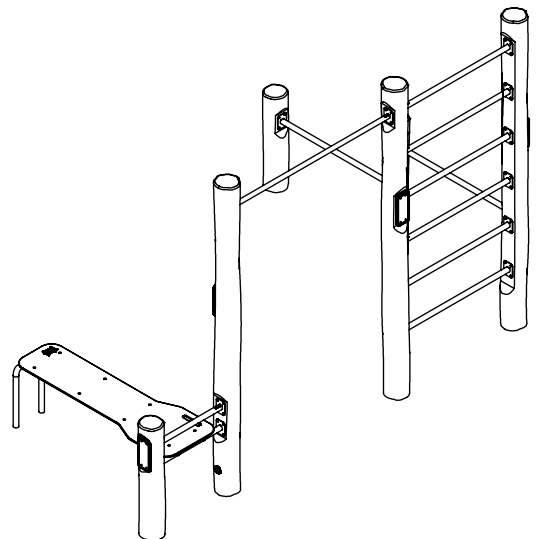
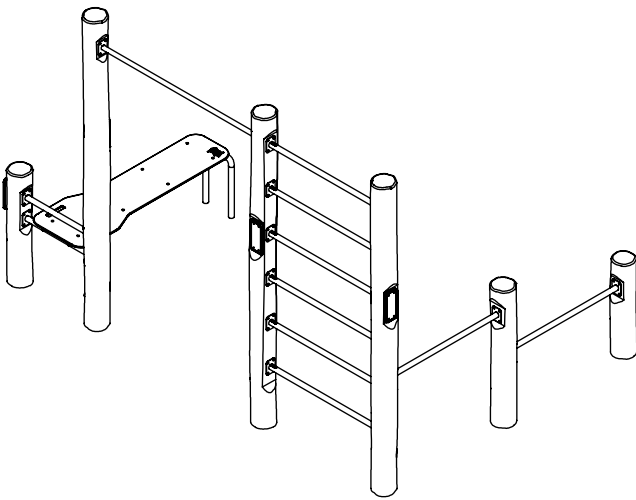
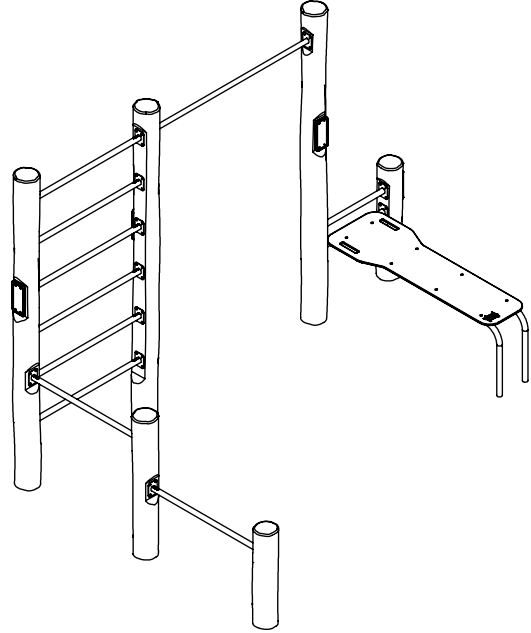
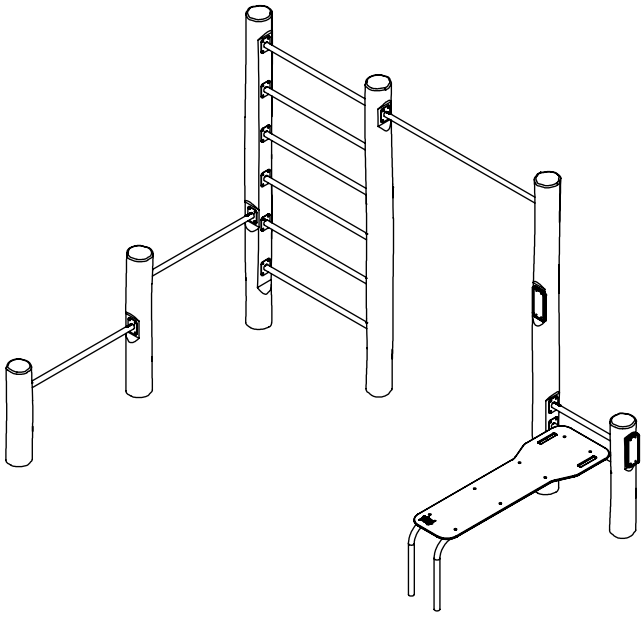
K29
x2
>0,06m³

230
HIC



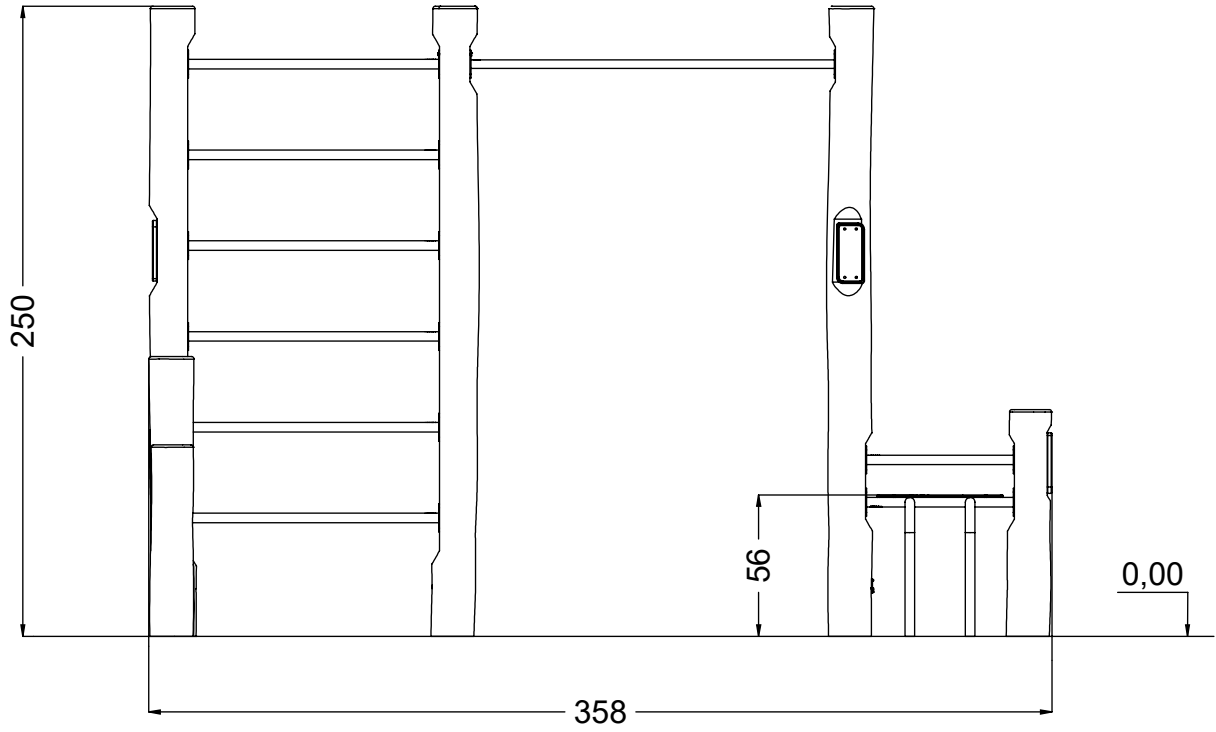
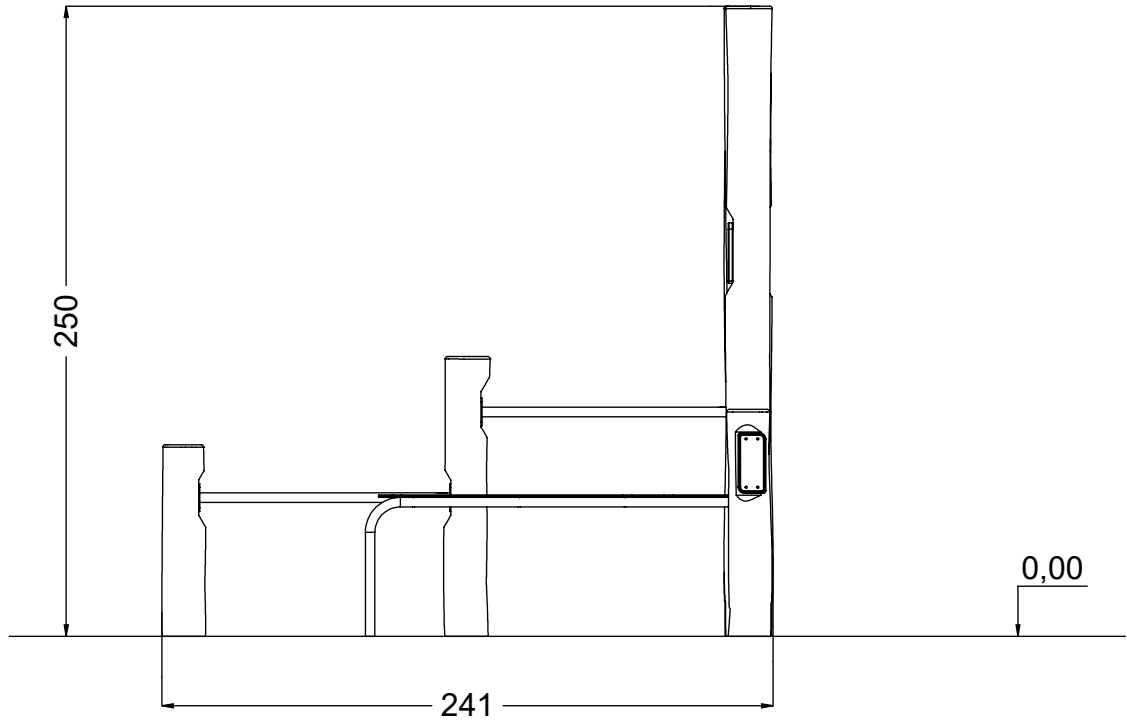
v010
14.07.2021
D. P.
[cm]

vinci
play



[cm]

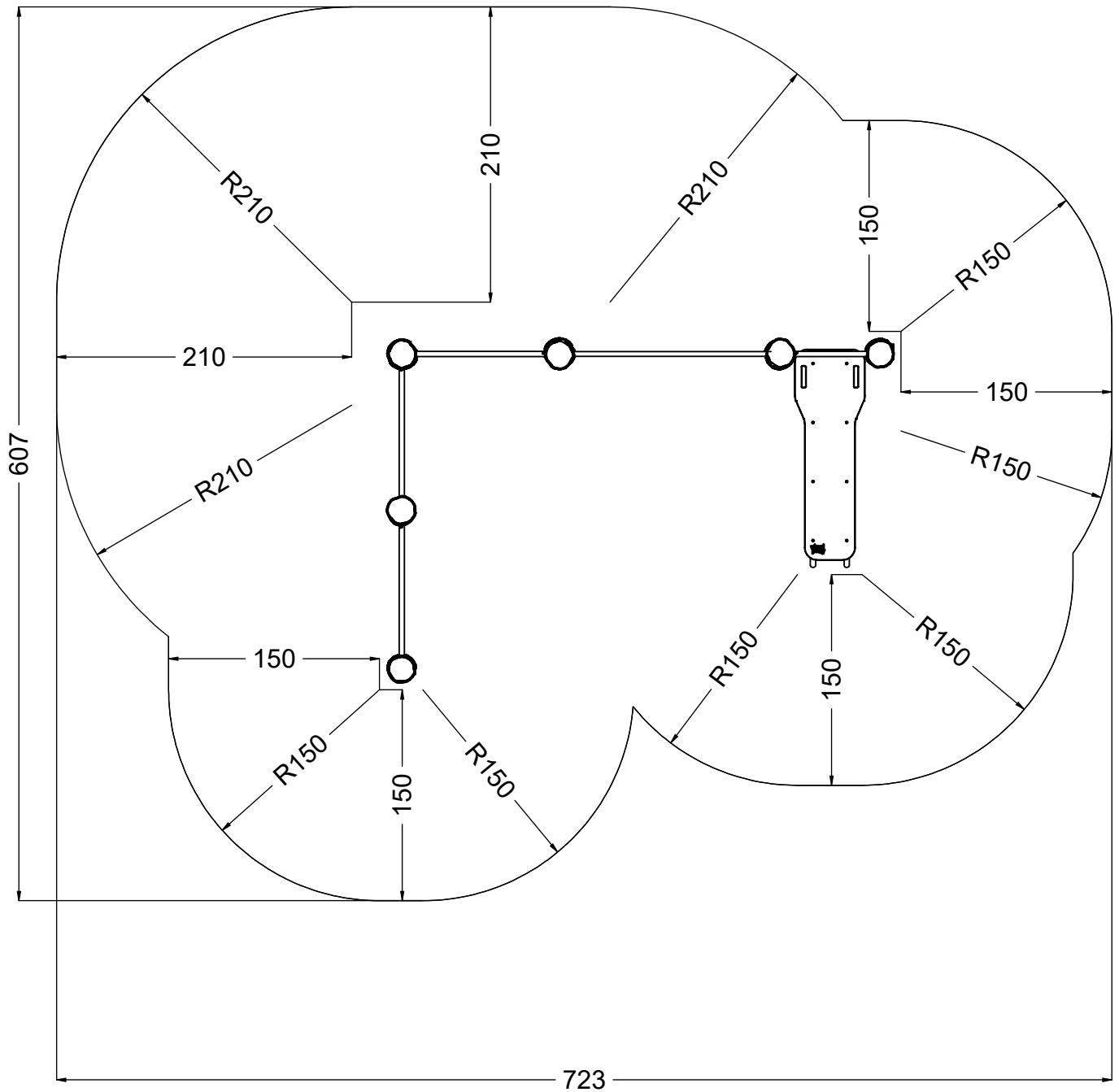
vinci
play



[cm]



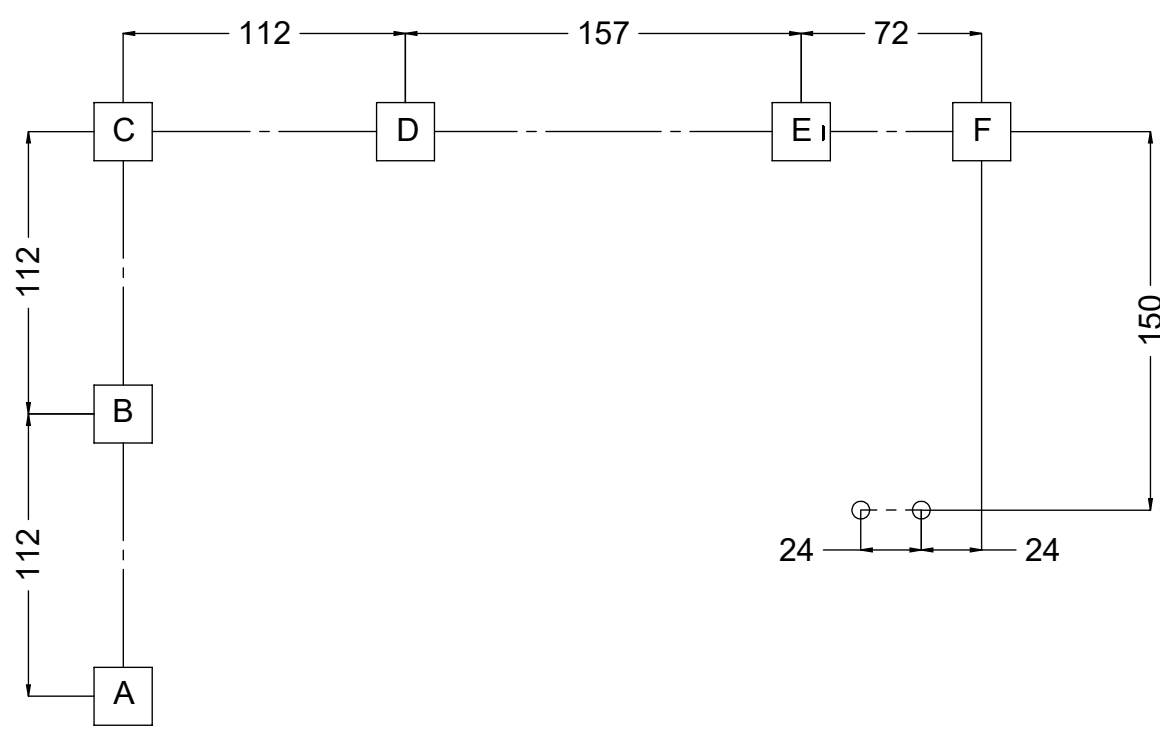
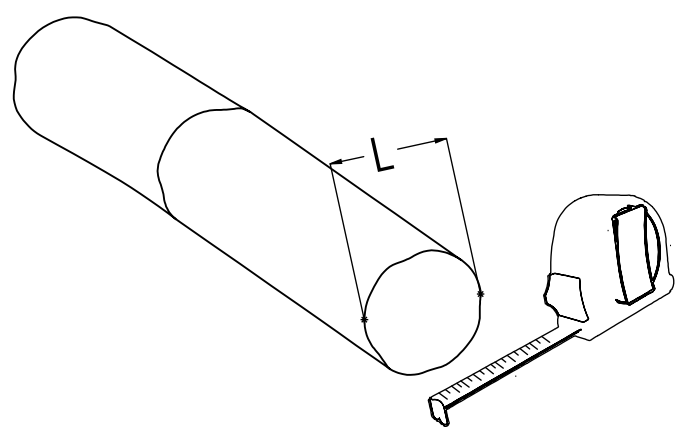
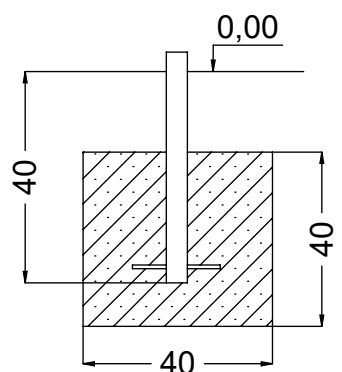
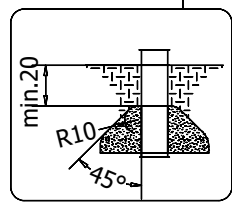
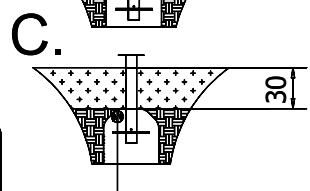
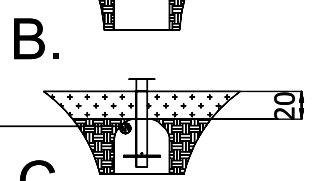
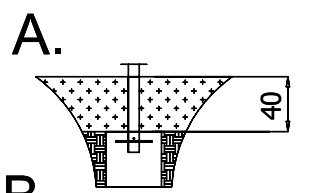
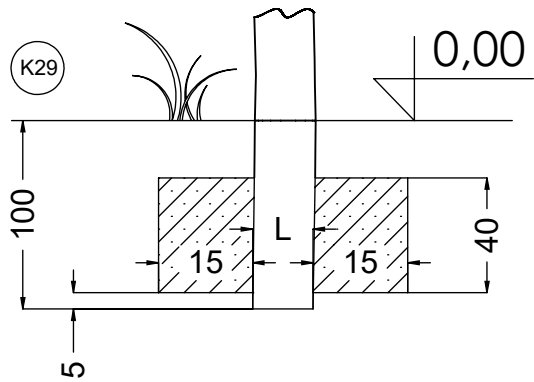
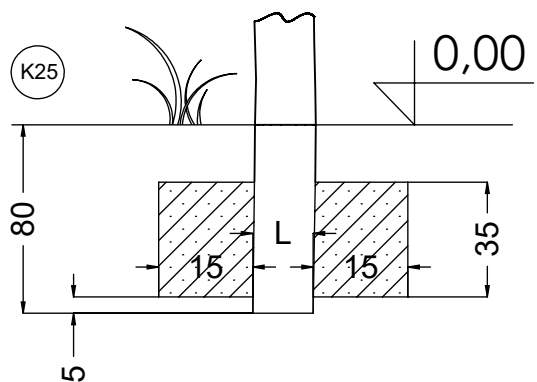
vinci
play



[cm]



vinci
play

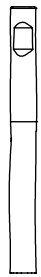


[cm]

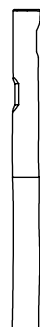
x2
 3,5h

 48h
 K25 >0.06m³ x4
 K29 >0.06m³ x2
 K17 >0.06m³ x2

vinci play



127601 A
x1



127602 B
x1



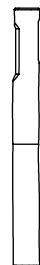
127624 C
x1



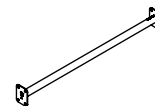
127625 D
x1



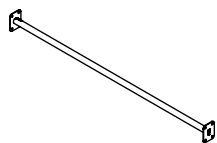
127626 E
x1



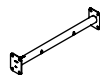
127606 F
x1



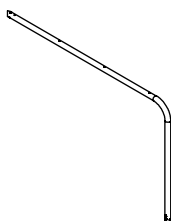
232100
x9



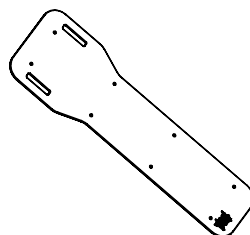
232106
x1



232105
x1

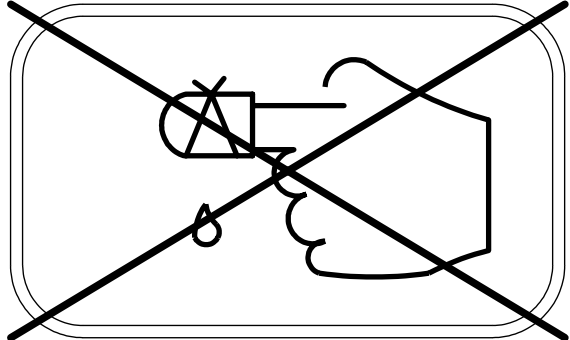
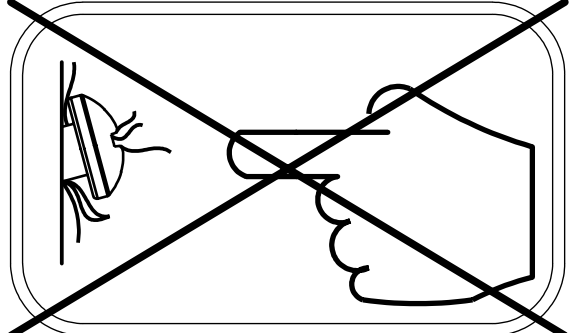
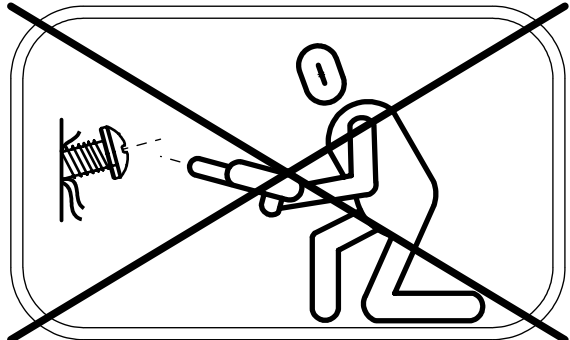
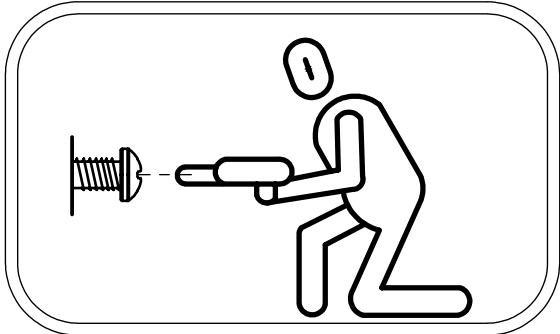


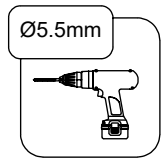
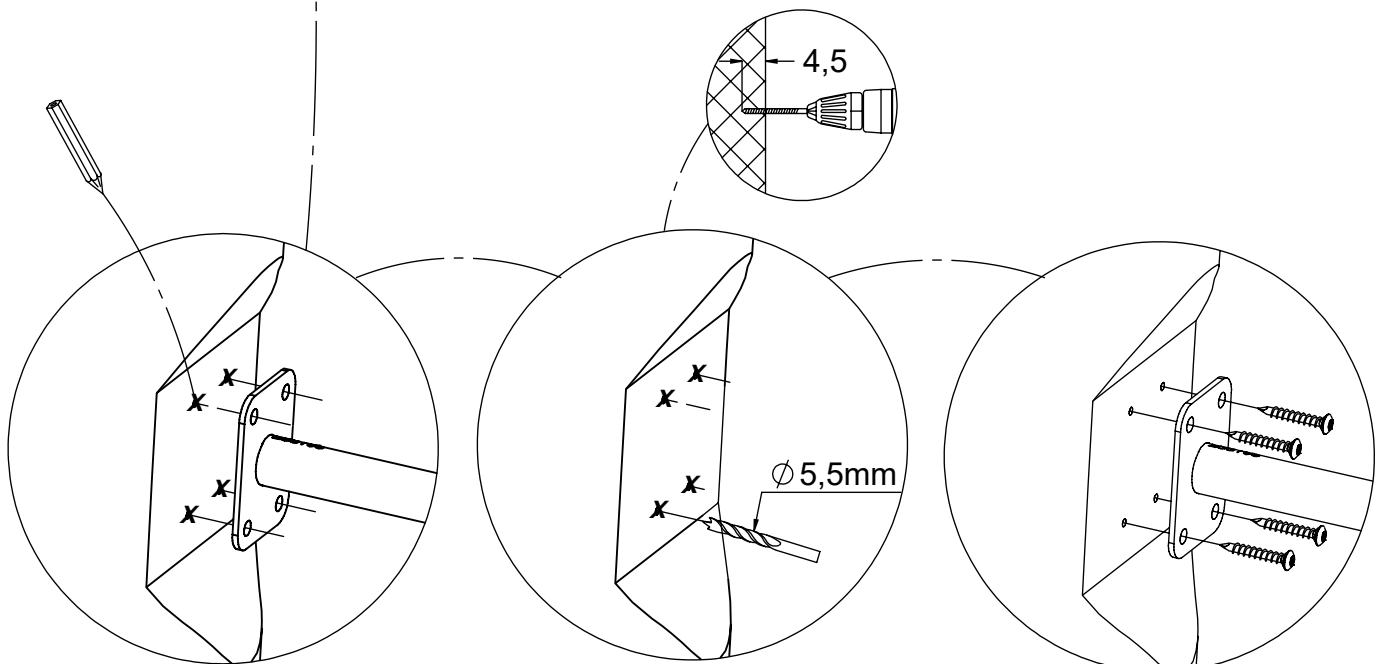
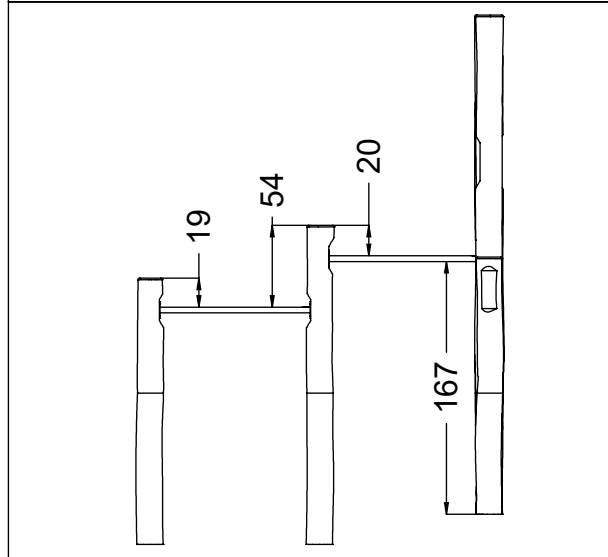
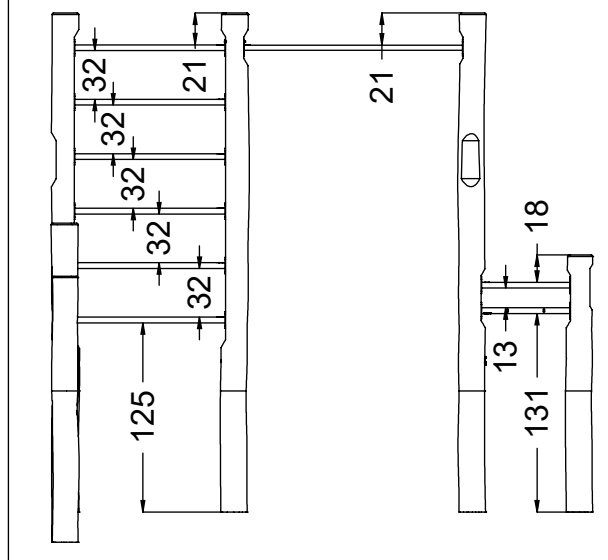
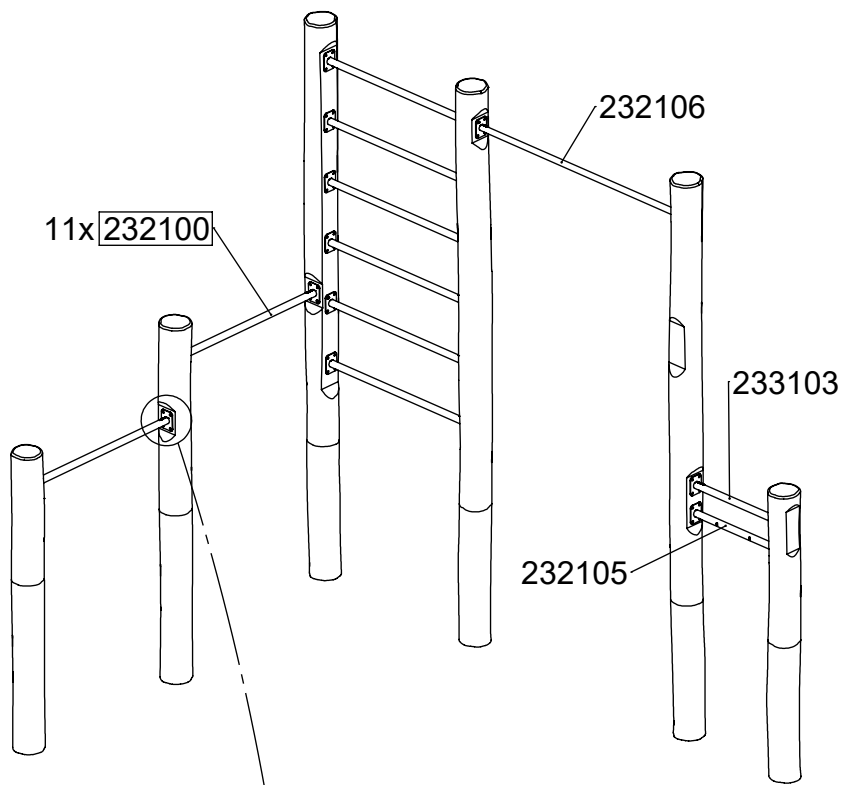
232103
x2



231100
x1

104x	8x50sxi
1x	7x35sxi
1x	23e040
1x	23e042
1x	126304
1x	126306
1x	126307
1x	126309
4x	231101
1x	231111

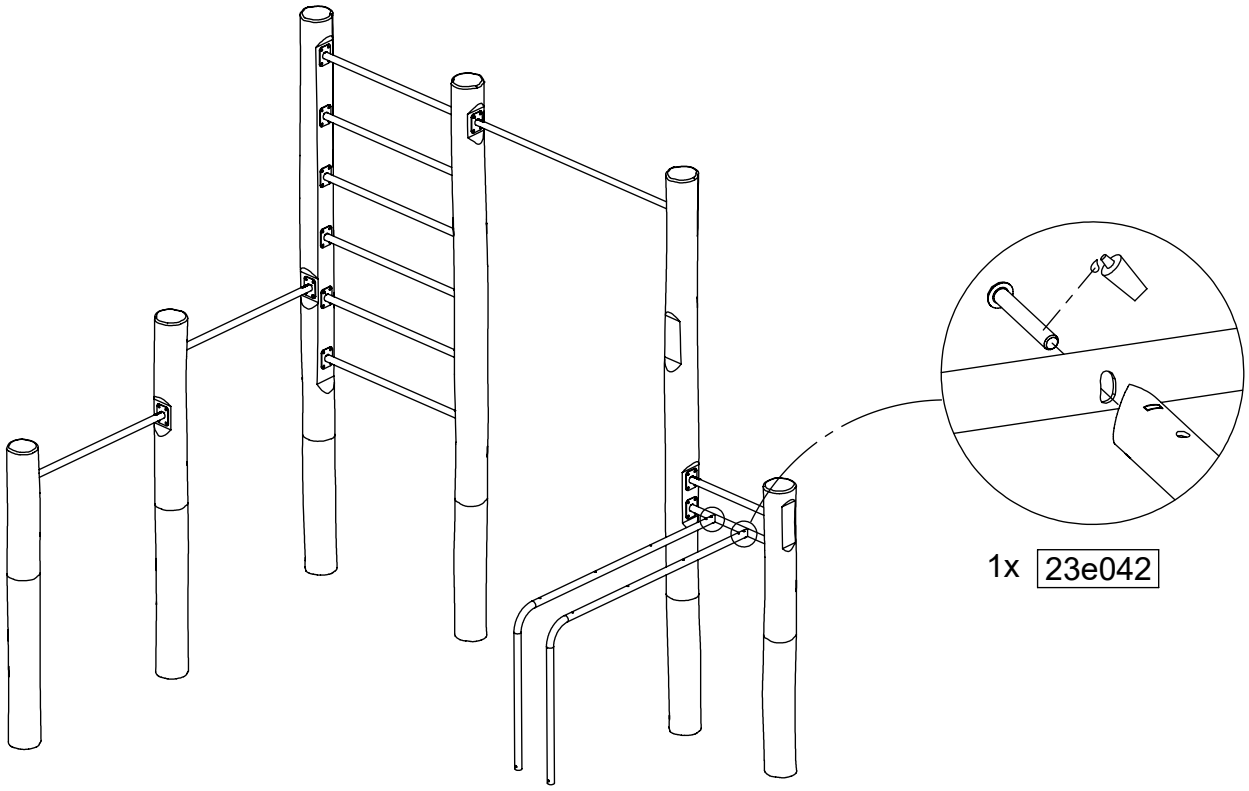




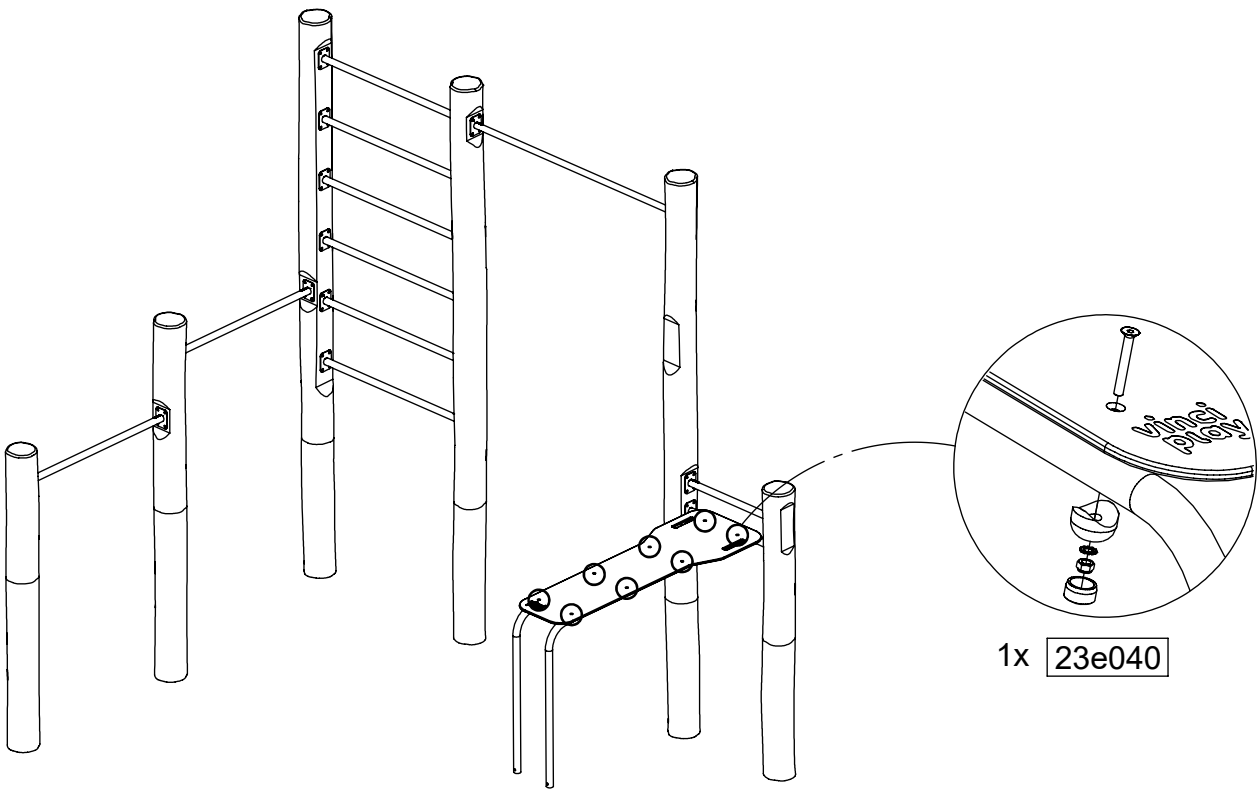
88x 8x50sxi

vinci play

[cm]



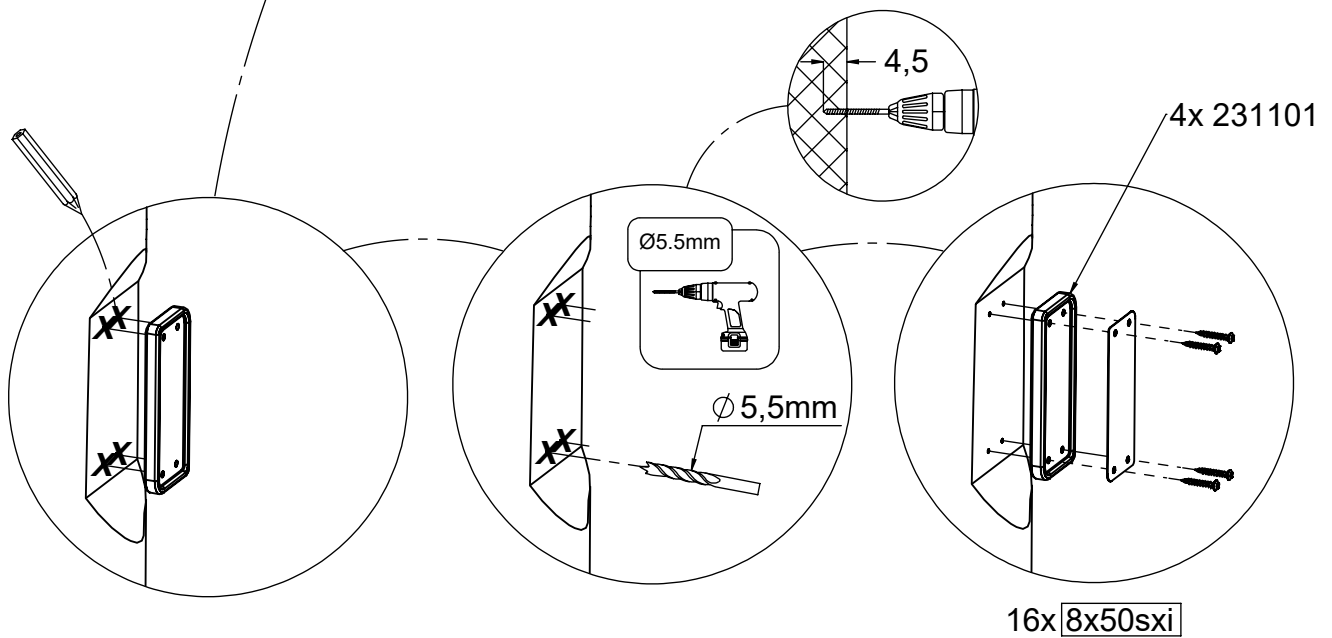
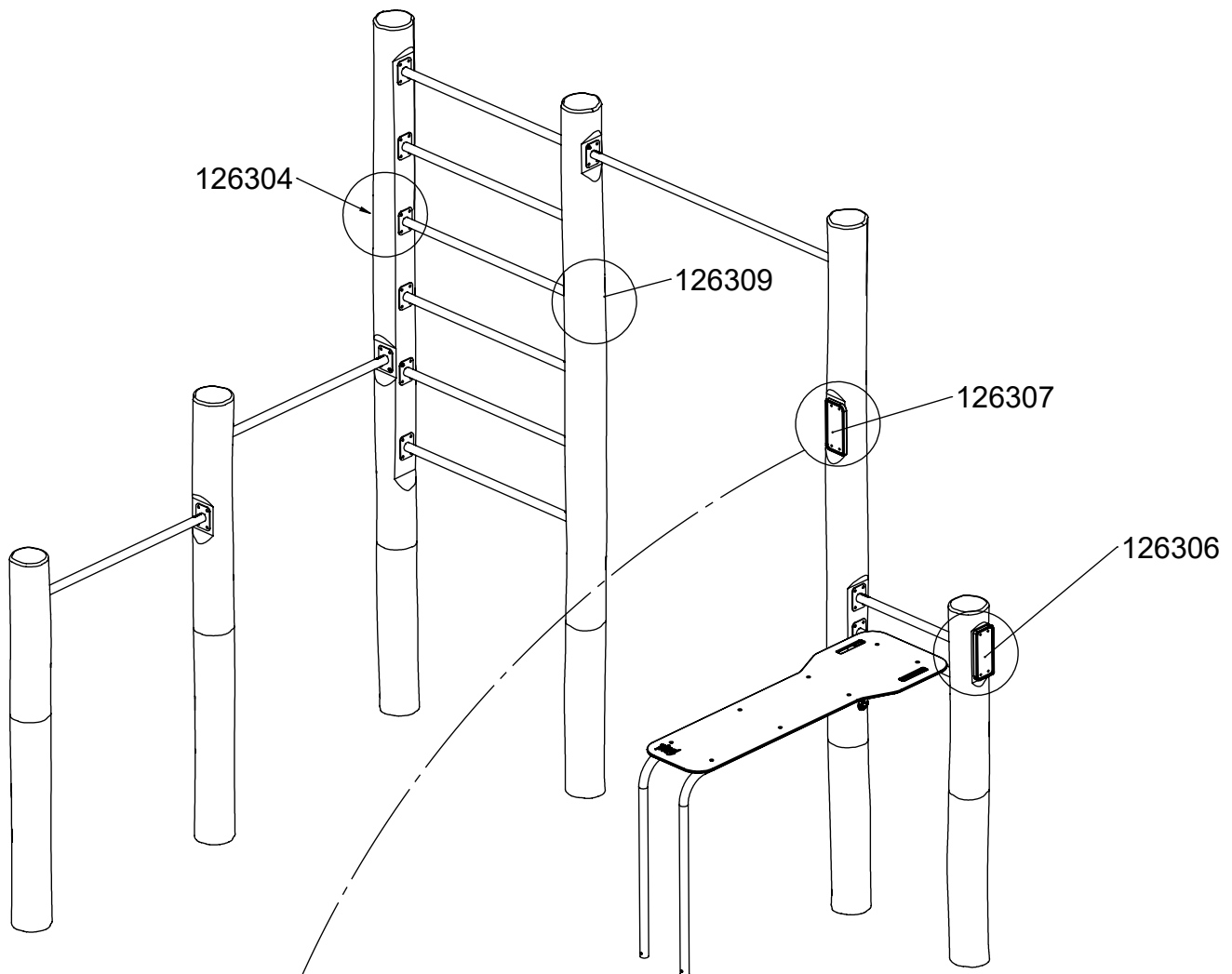
1x 23e042



1x 23e040

[cm]

vinci
play



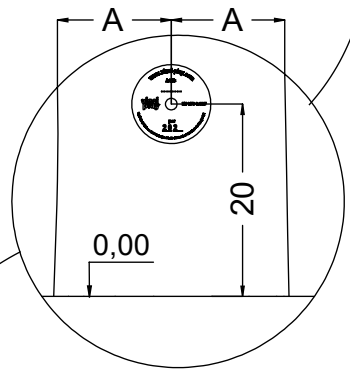
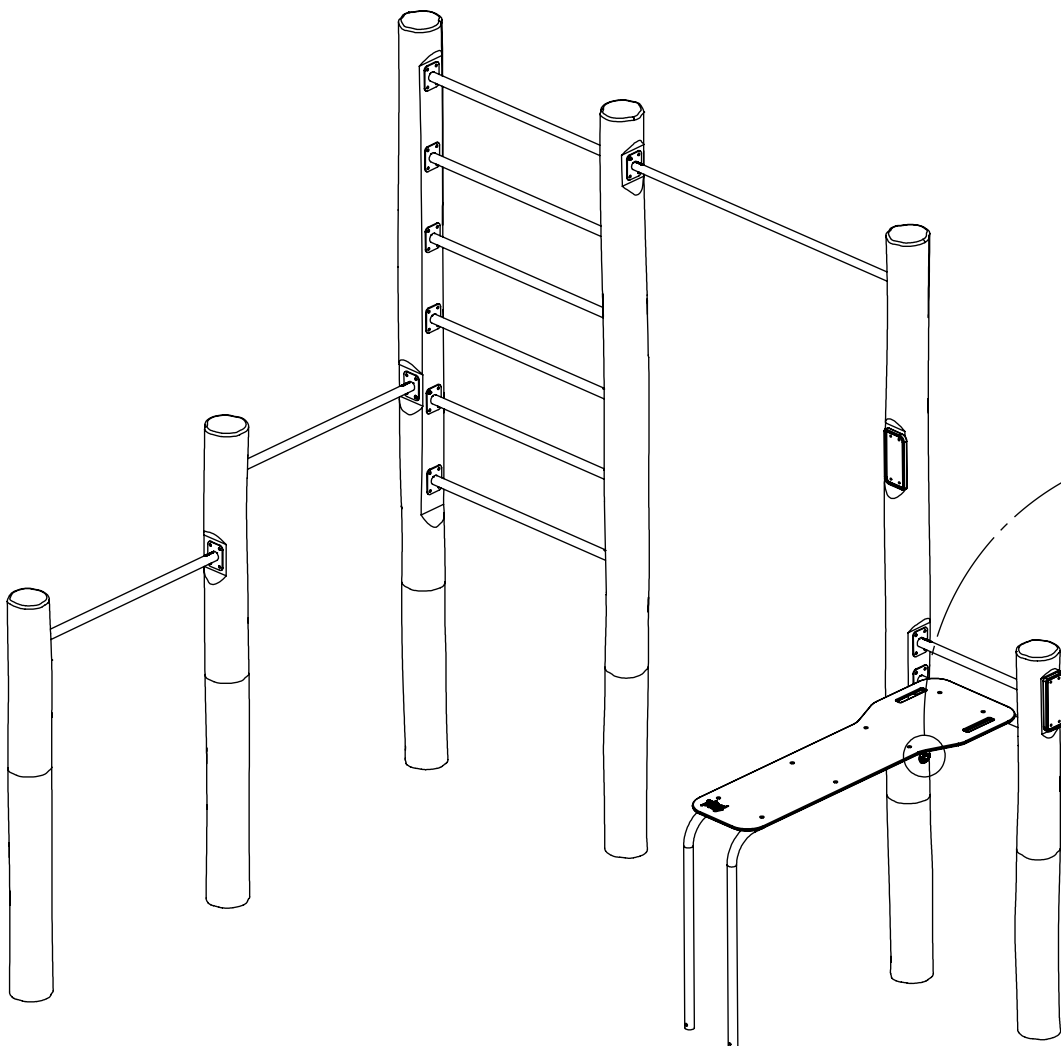
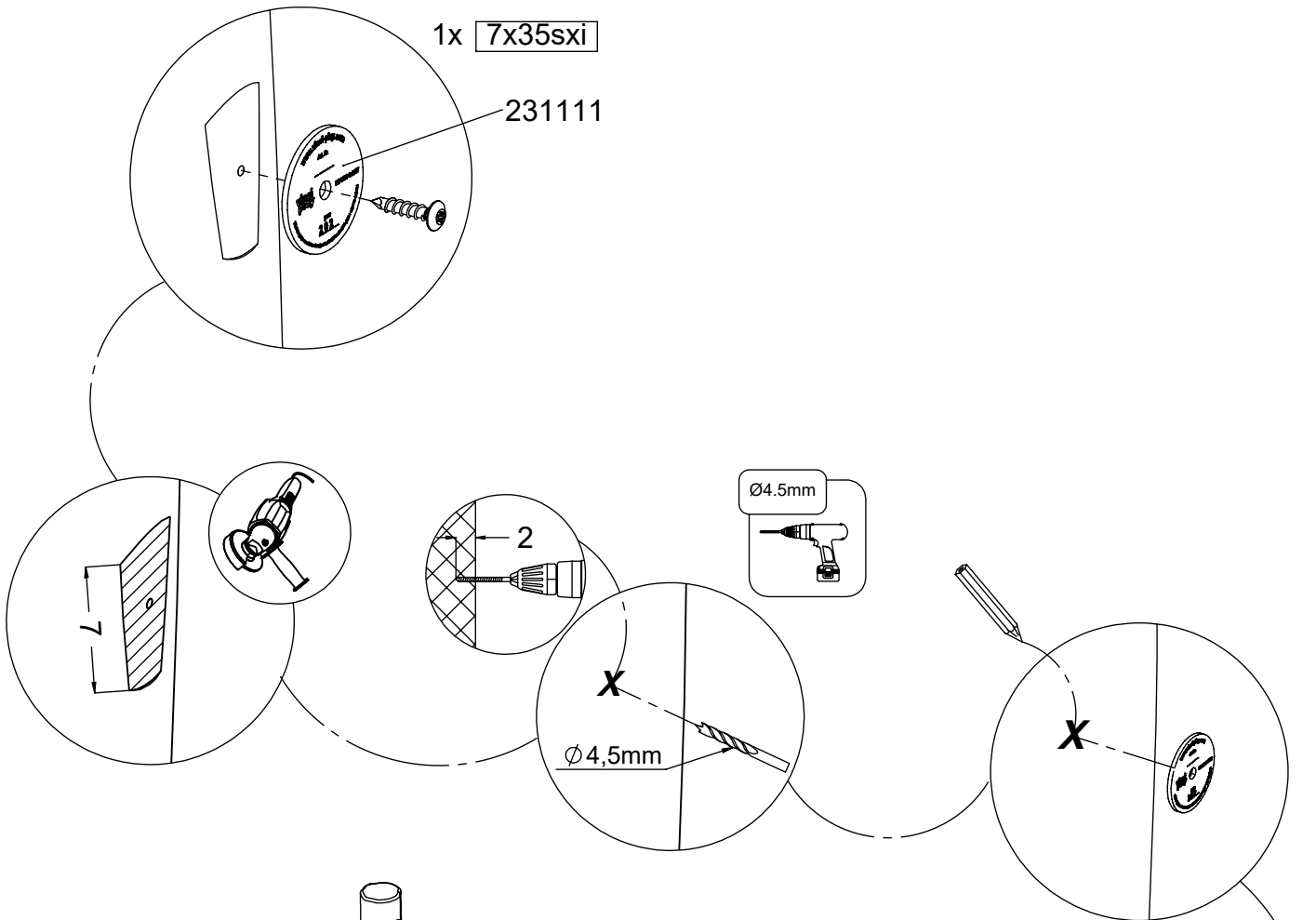
[cm]



vinci
play

1x 7x35sxi

231111



A=A

[cm]

vinci
play

