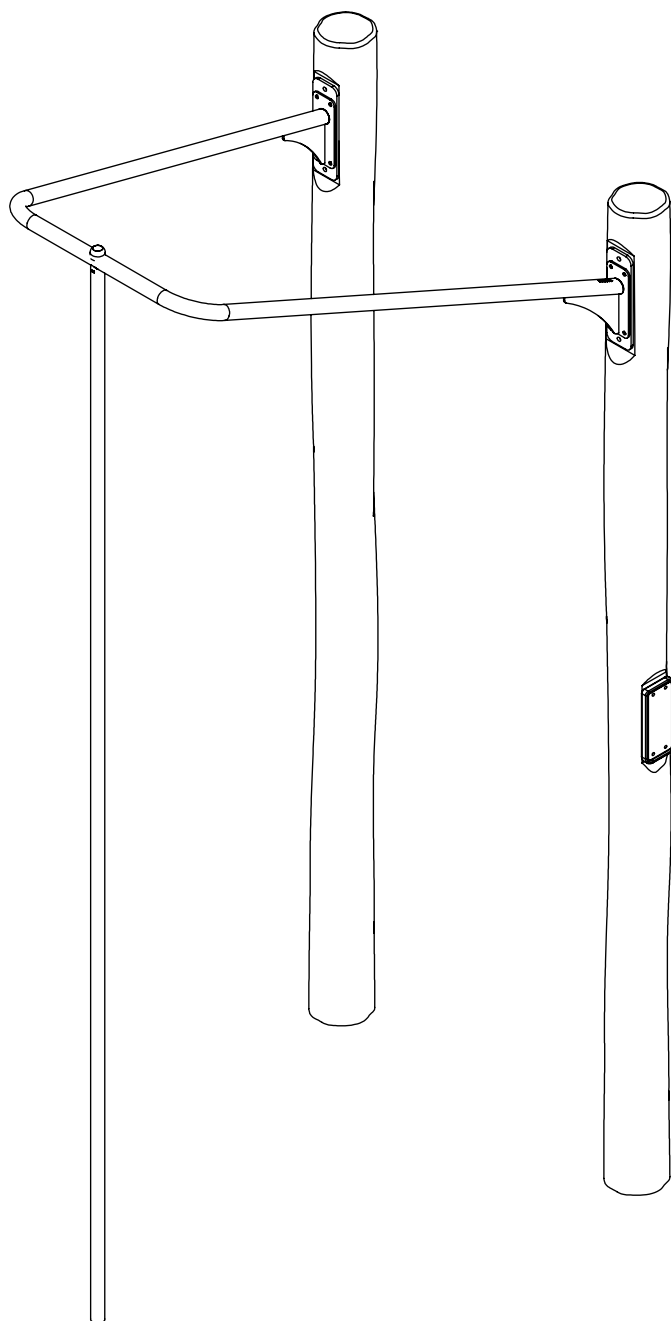


RB2311



1,5h

245
HIC



48h



K29
x3

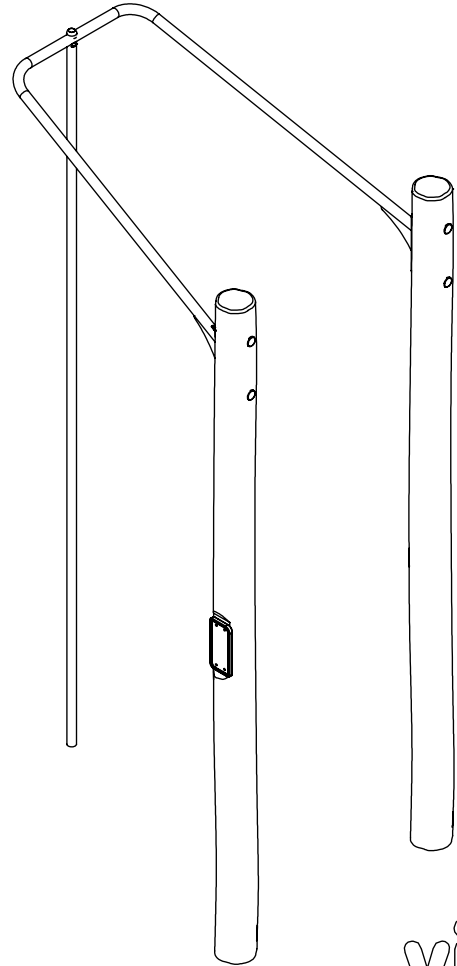
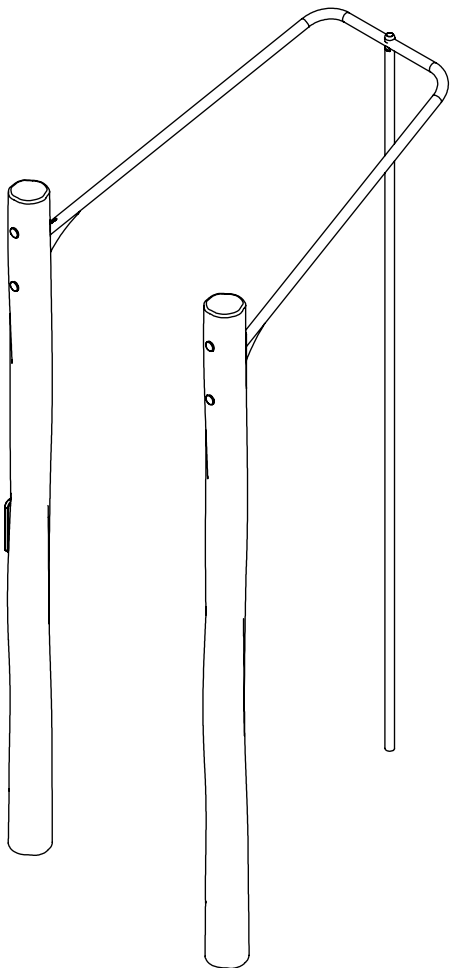
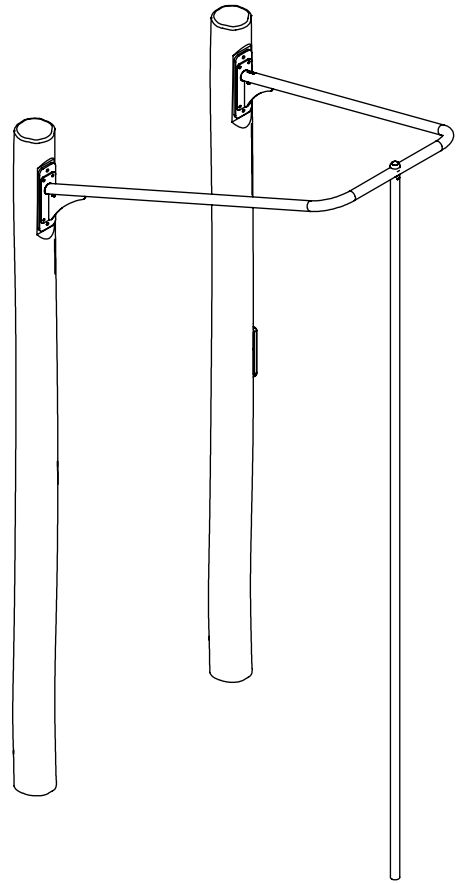
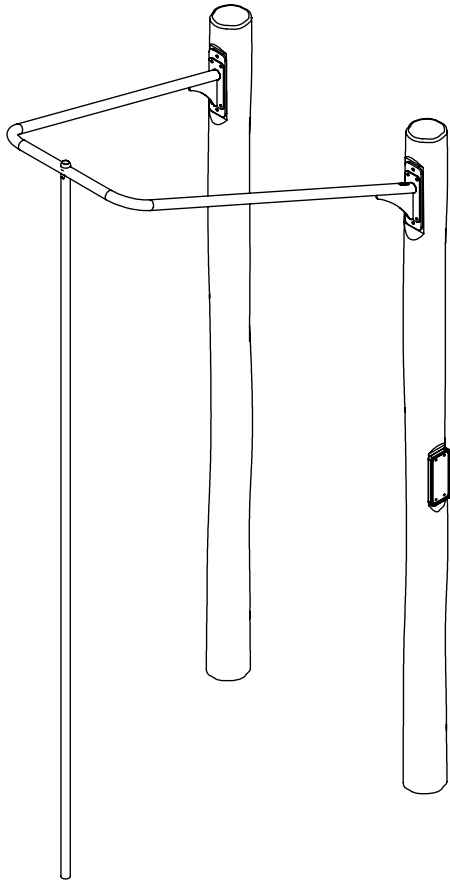
>0.06m²



Ø5,5

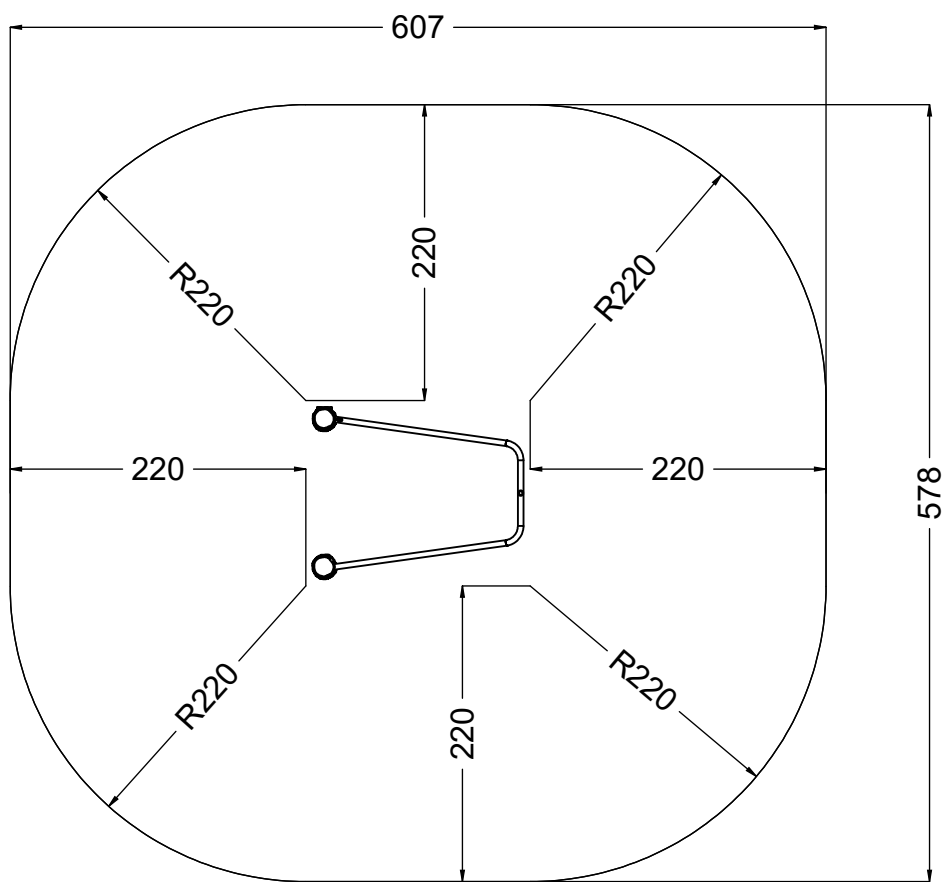
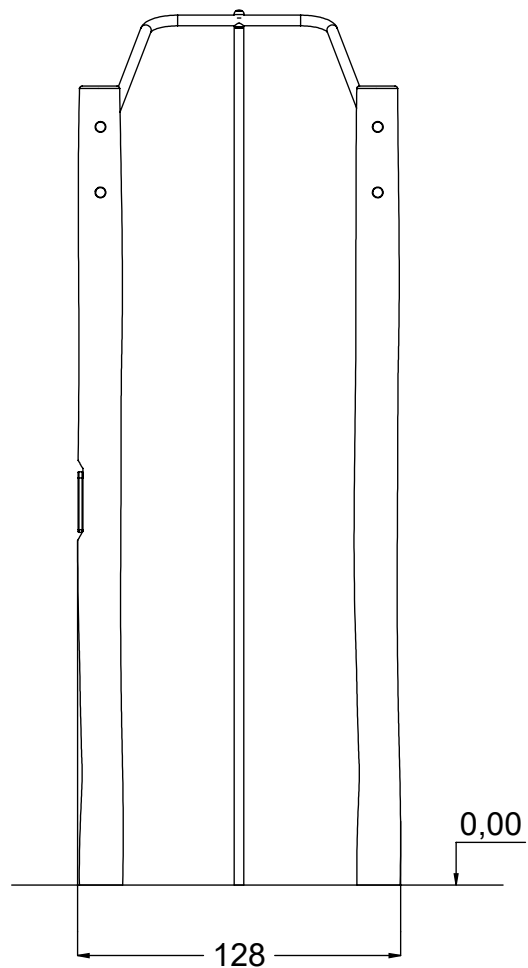
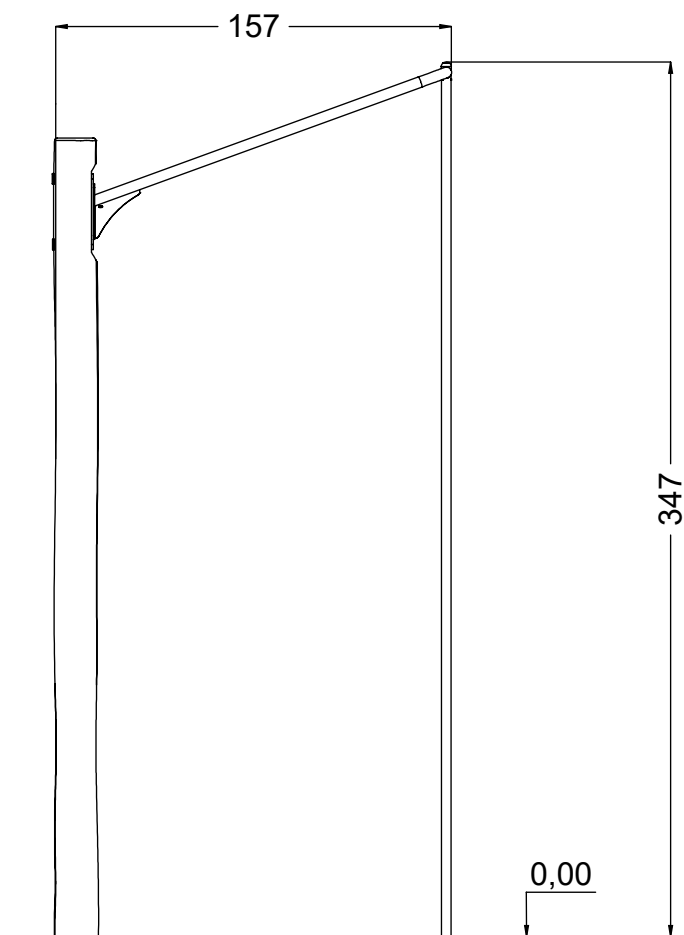
v010
17.11.2021
D. P.
[cm]

vinci
play



[cm]

vinci
play

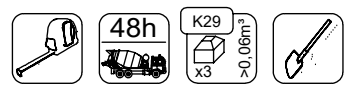
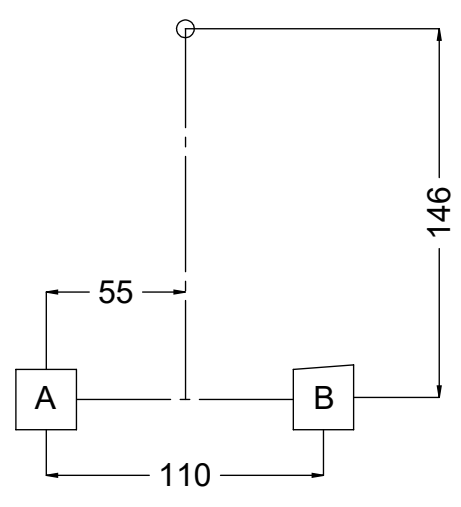
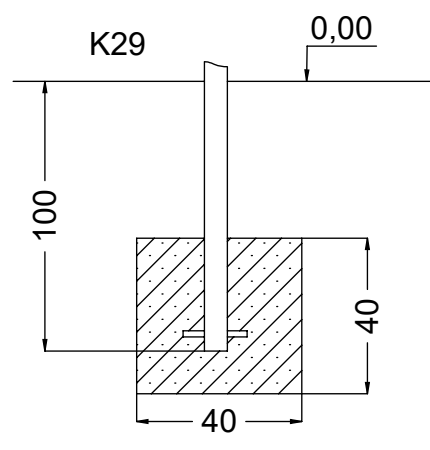
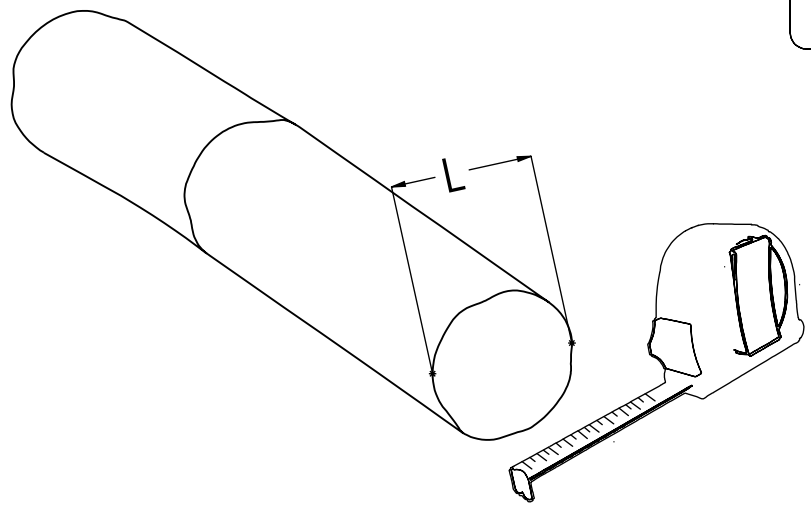
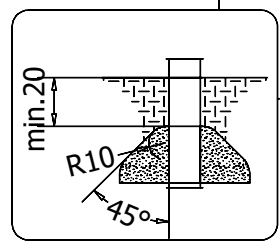
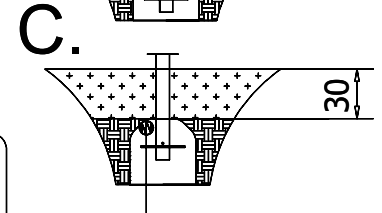
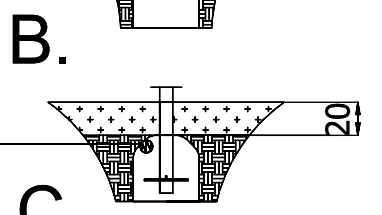
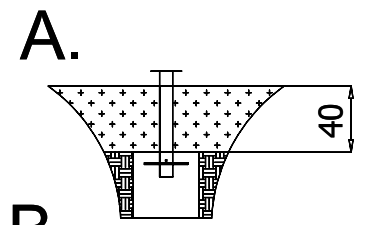
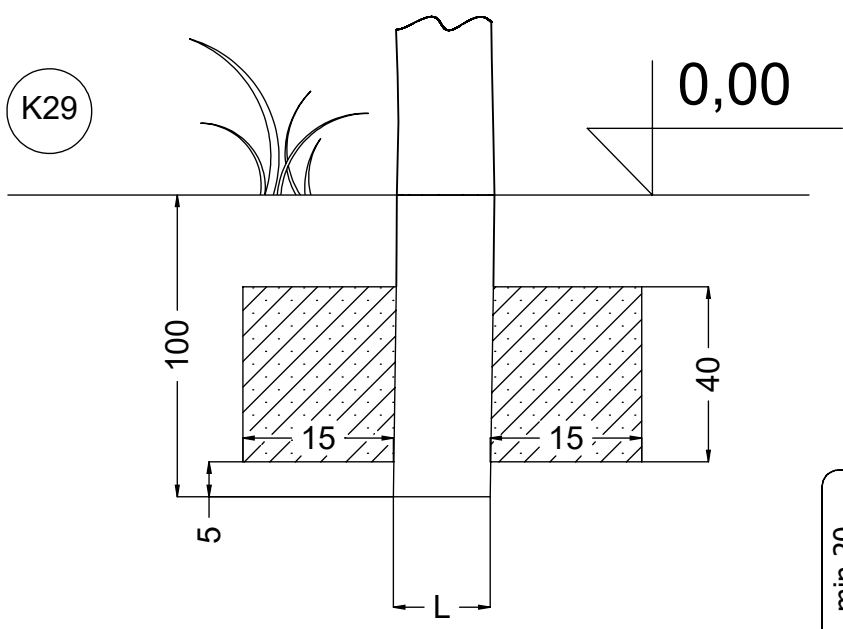


[cm]



vinci
play

K29



vinci
play

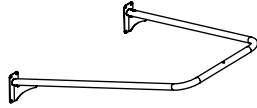
[cm]



127618 A
x1



127619 B
x1

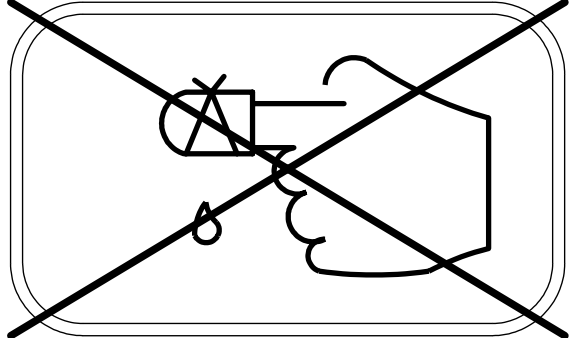
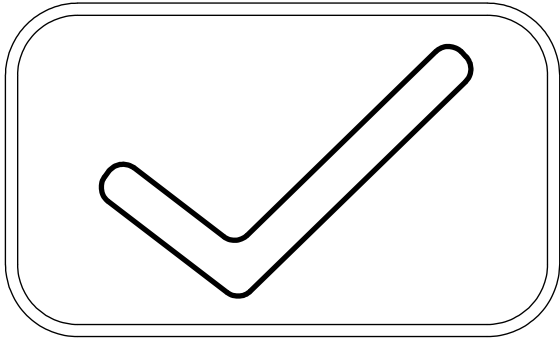
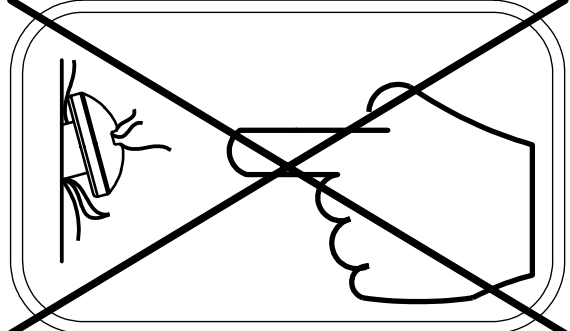
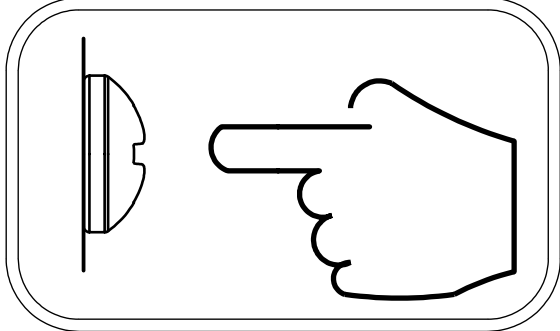
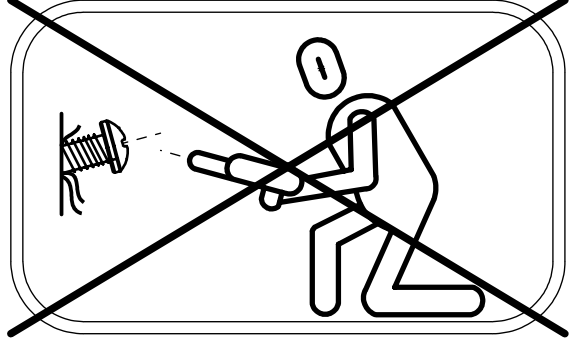
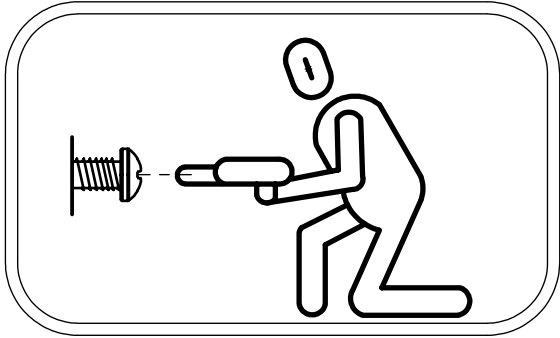


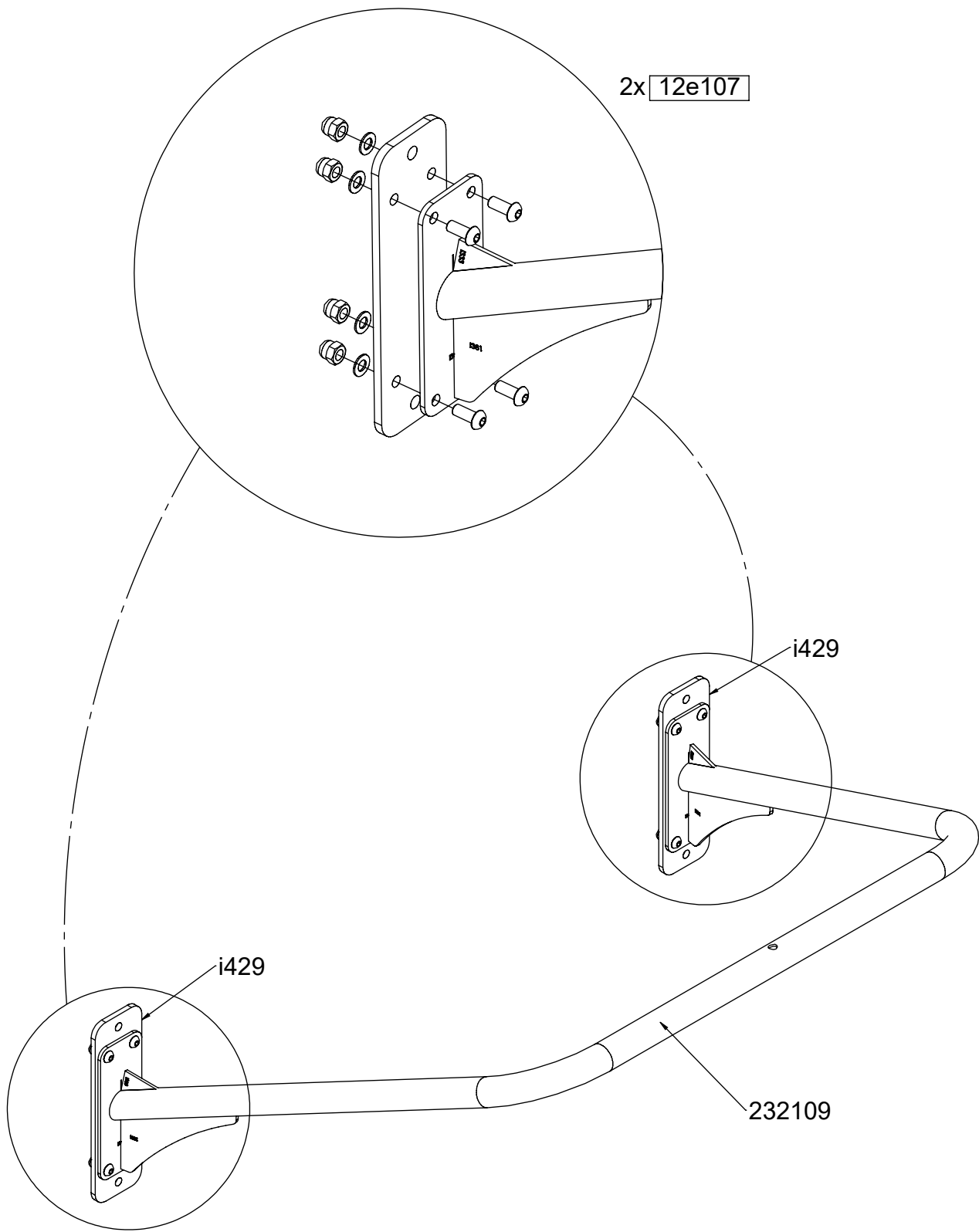
232109
x1



232110
x1

4x	8x50sxi
2x	12e005
2x	12e107
1x	23e039
1x	231101
1x	126311
2x	i429





2x 12e107

i429

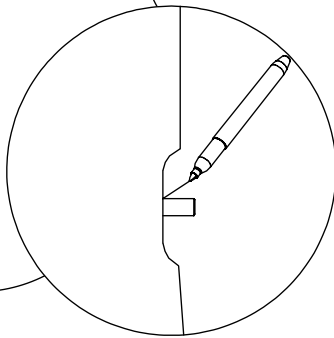
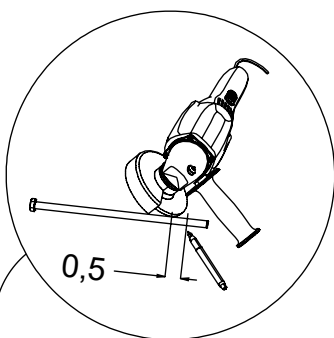
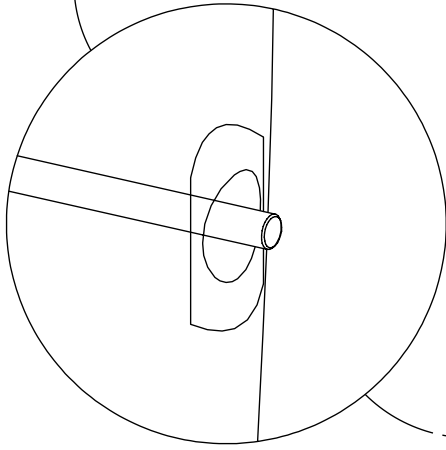
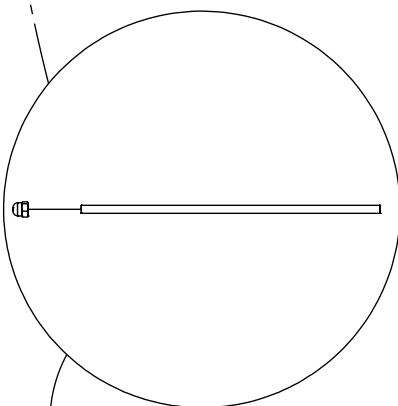
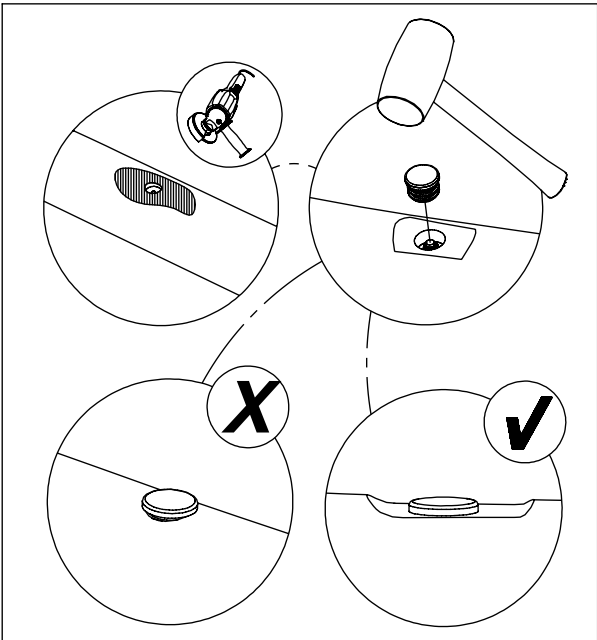
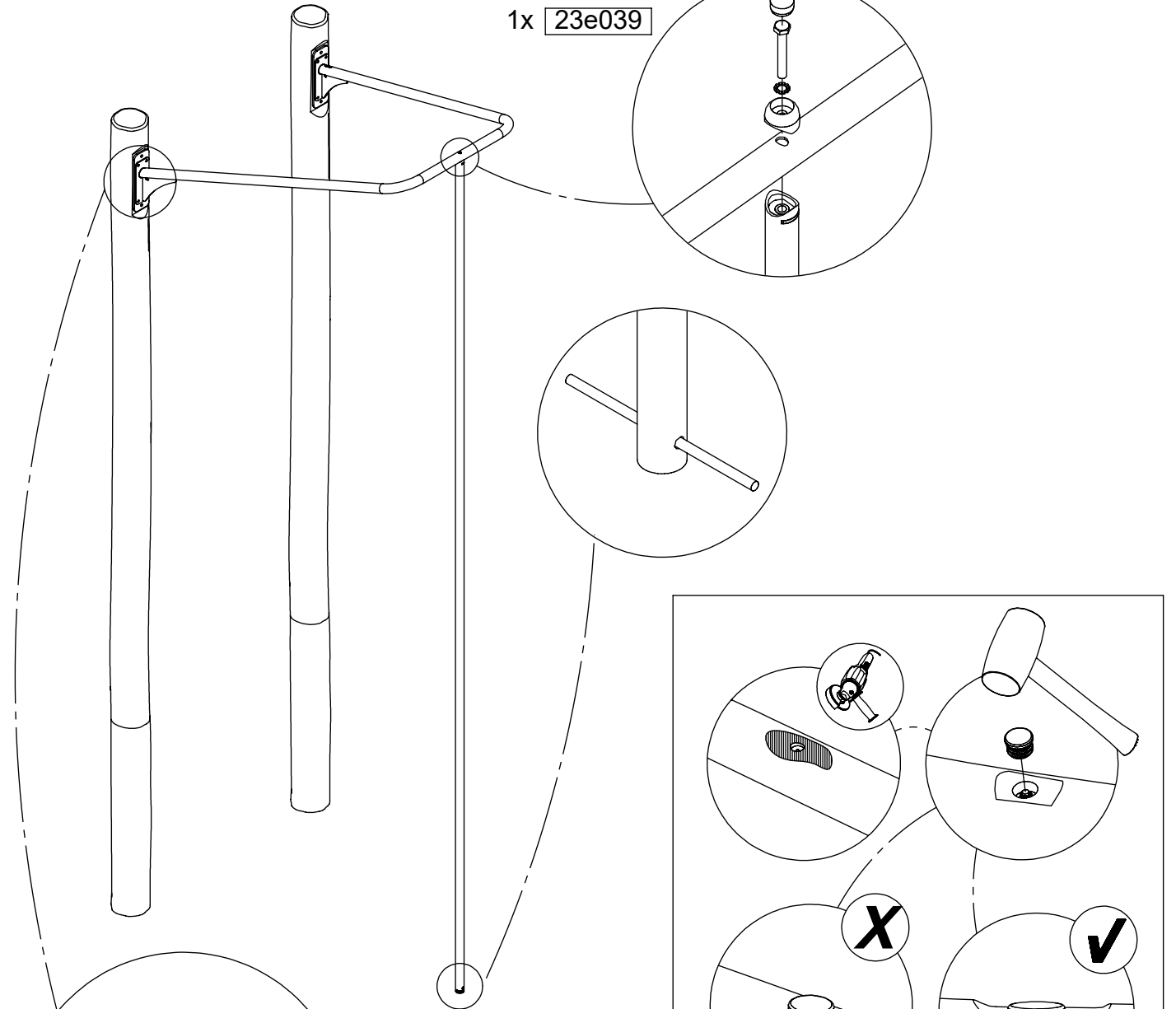
i429

232109

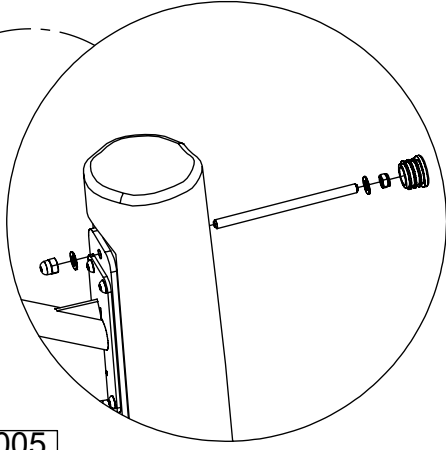
[cm]

vinci
play

1x 23e039

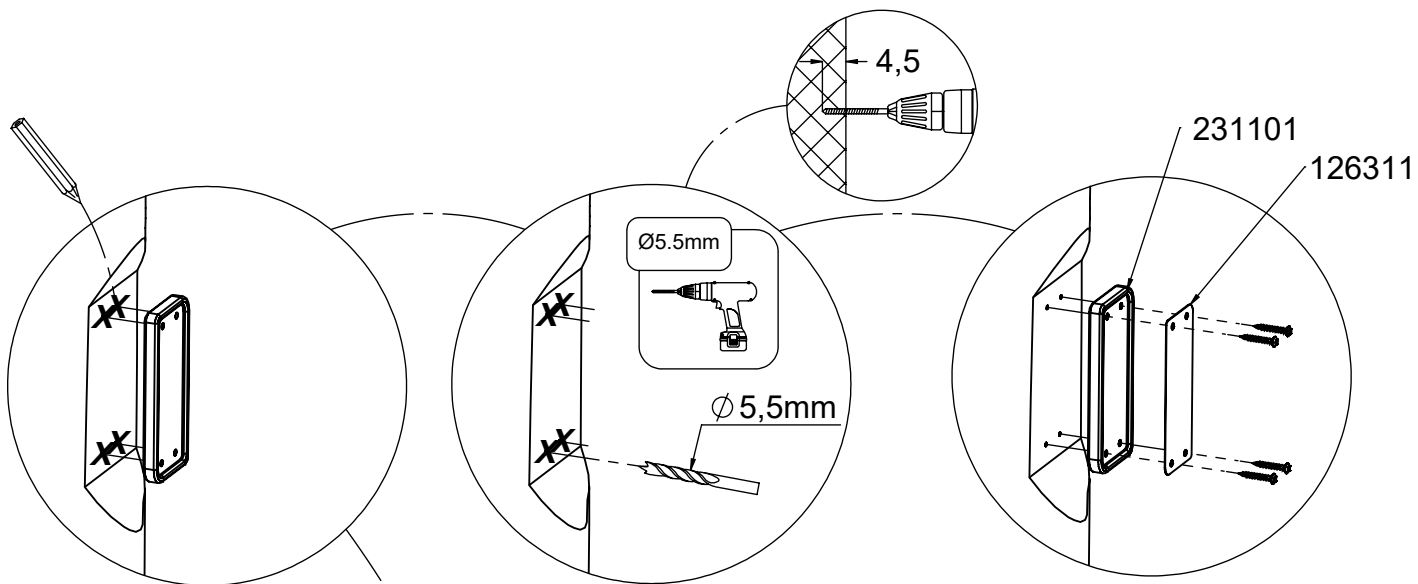


2x 12e005

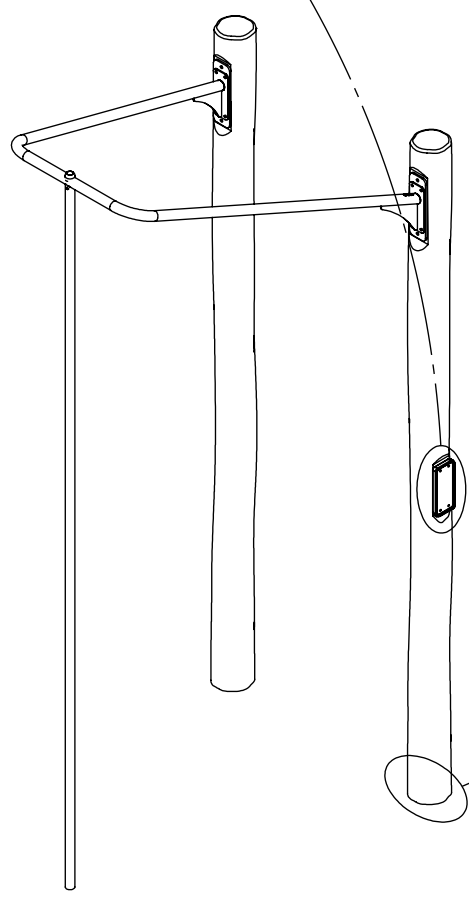


[cm]

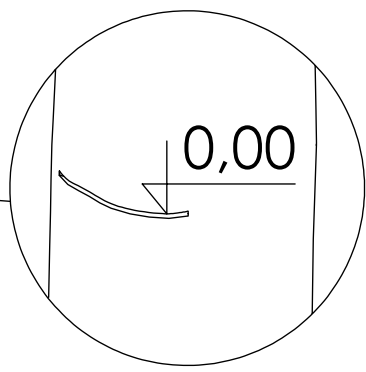
vinci play



4x [8x50sxi]



48h



Part No:
00000-
00000

000000-00000

[cm]

vinci
play