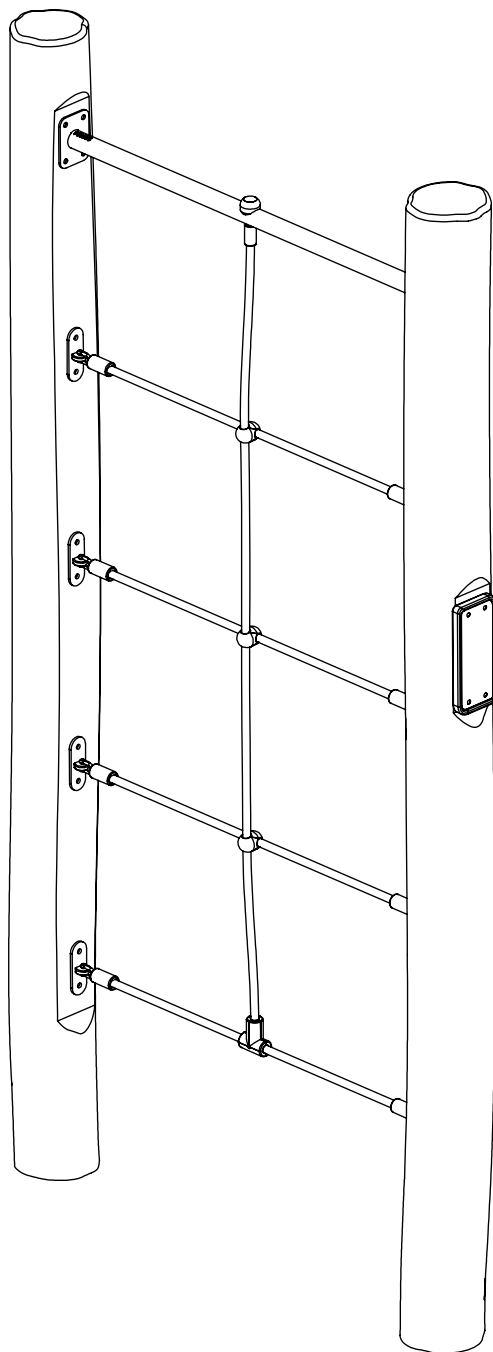


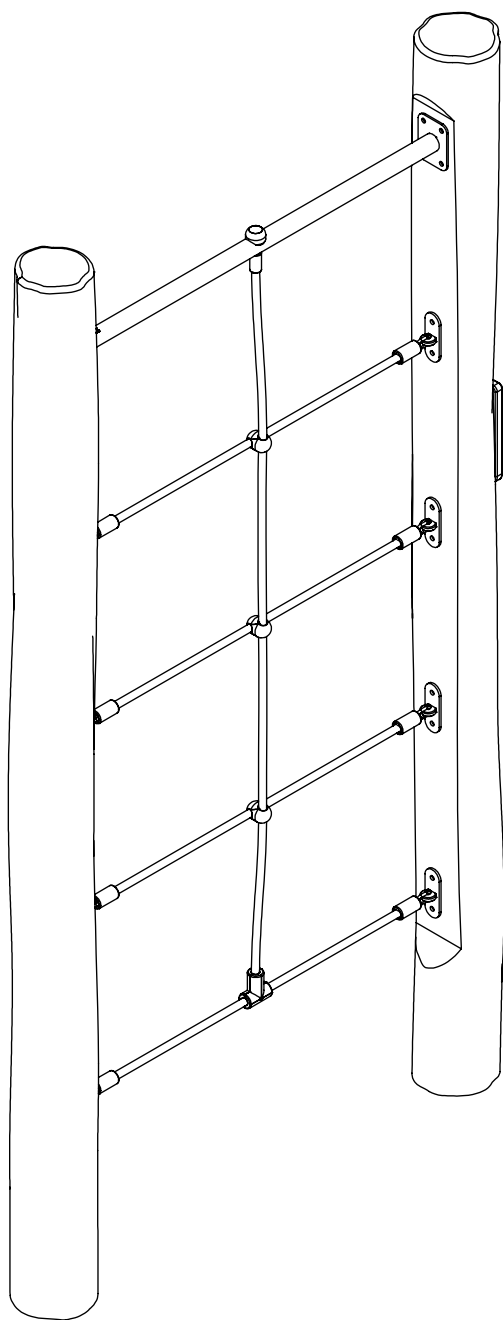
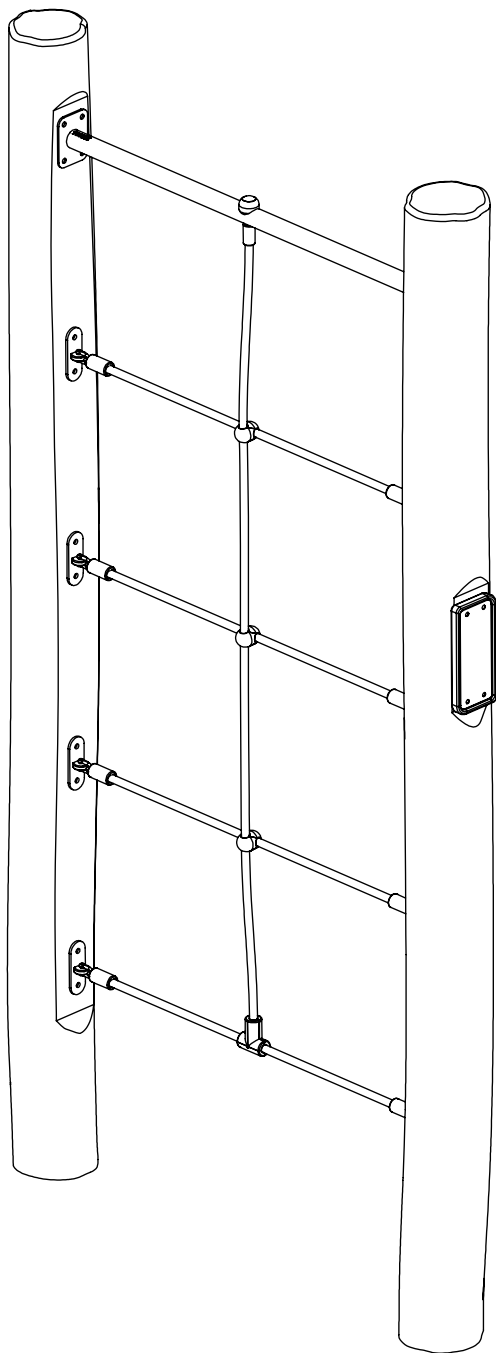
RB2310



v010
05.07.2021
D. P.
[cm]

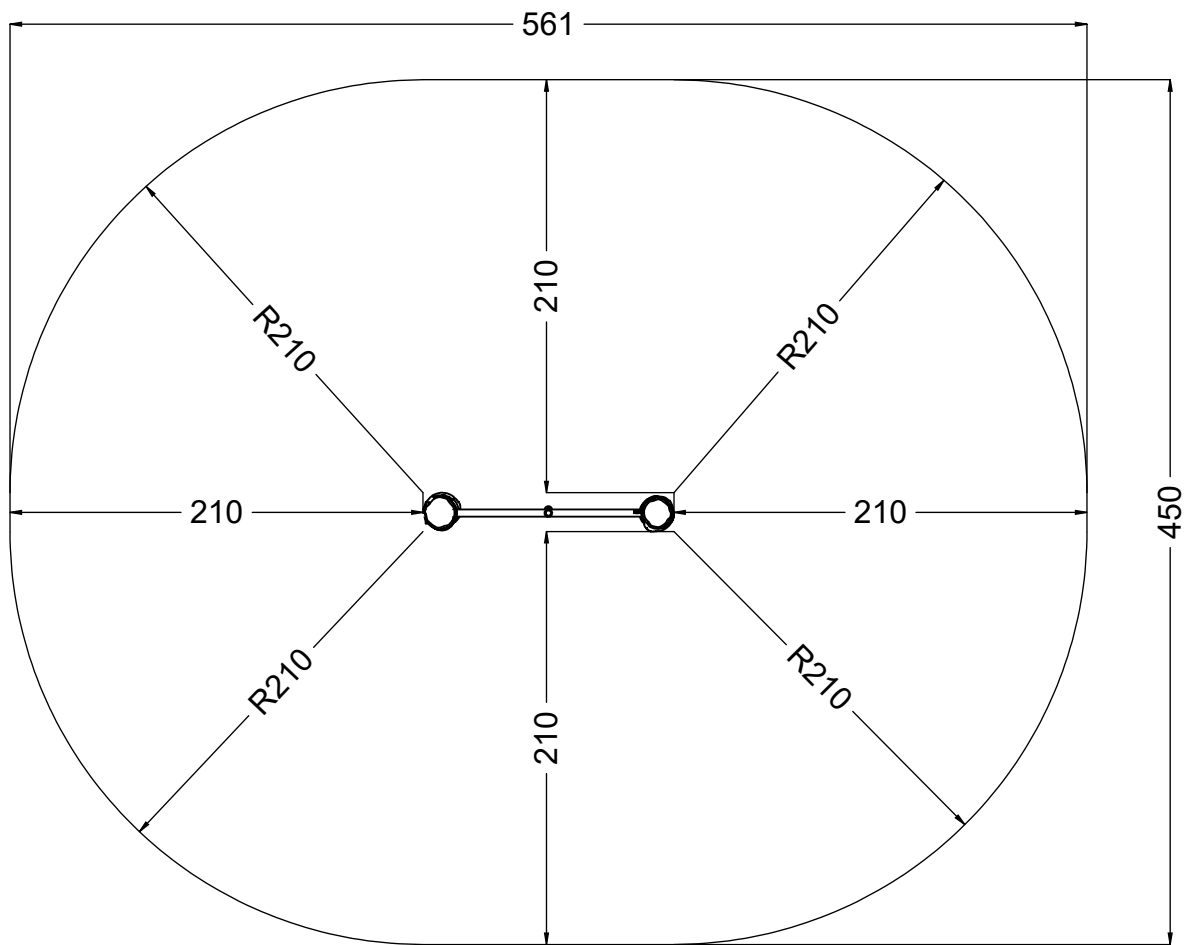
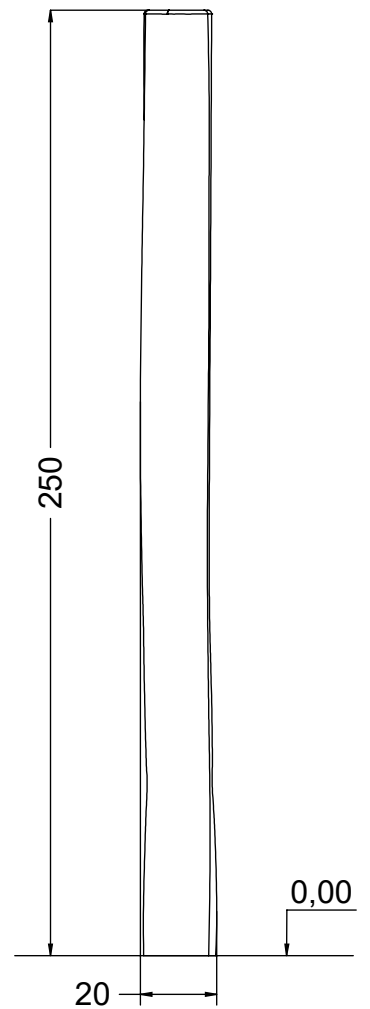
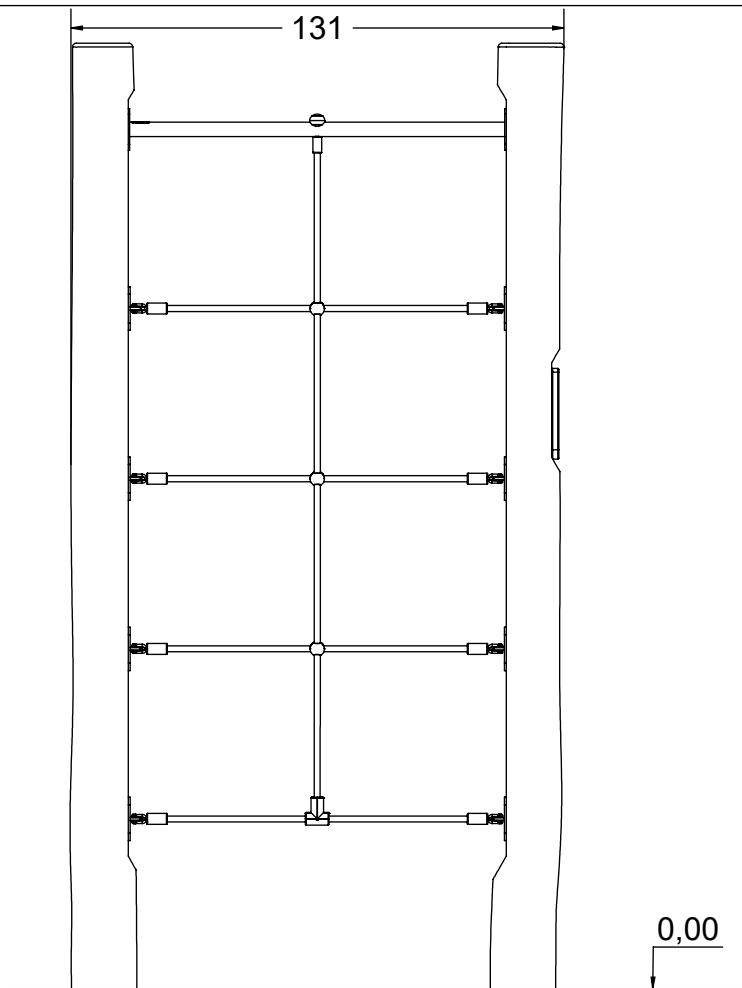


vinci
play



[cm]

vinci
play

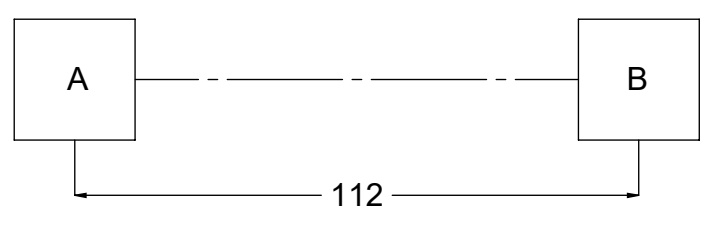
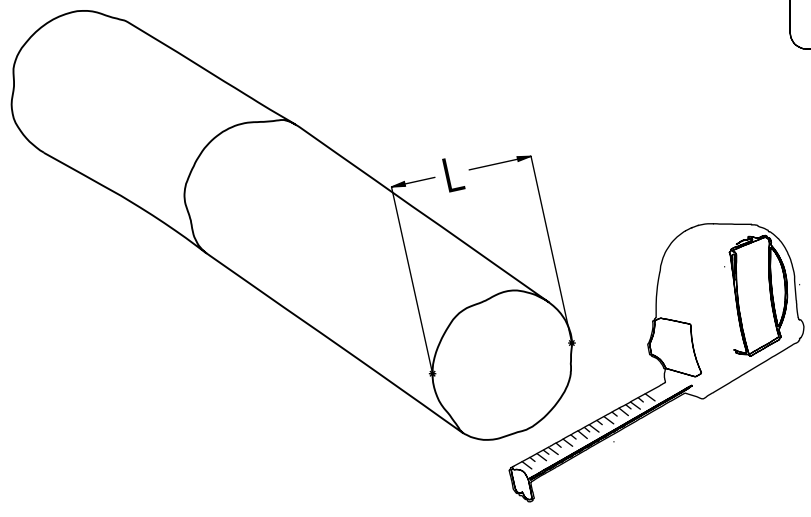
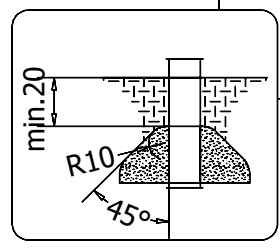
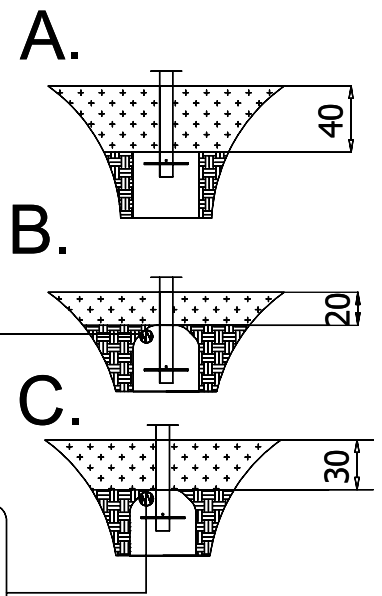
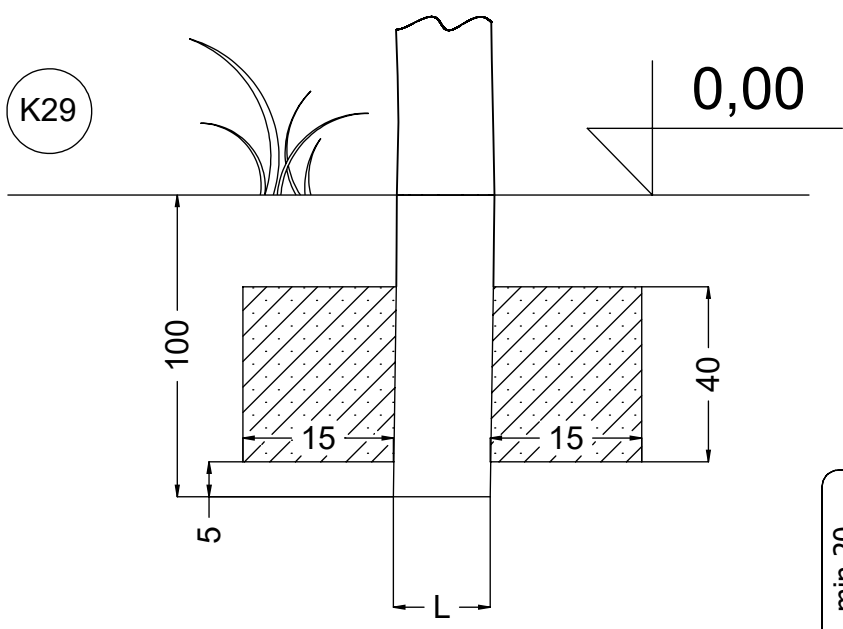


[cm]



vinci
play

K29



vinci
play

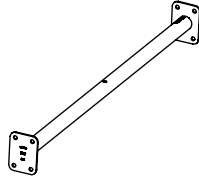
[cm]



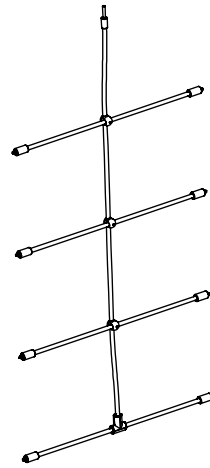
127616 A
x1



127617 B
x1

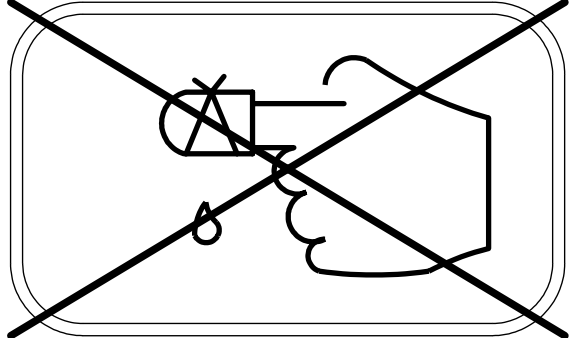
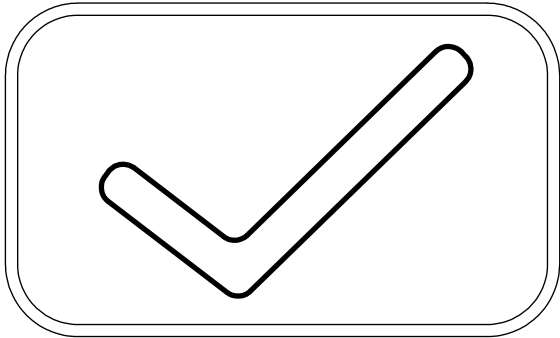
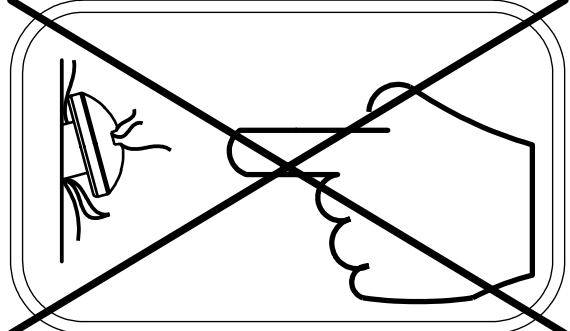
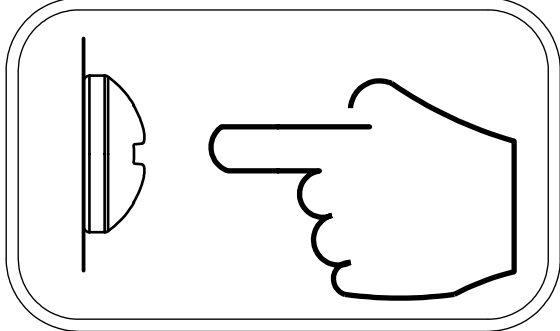
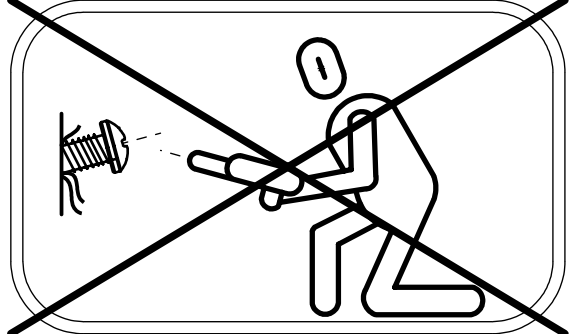
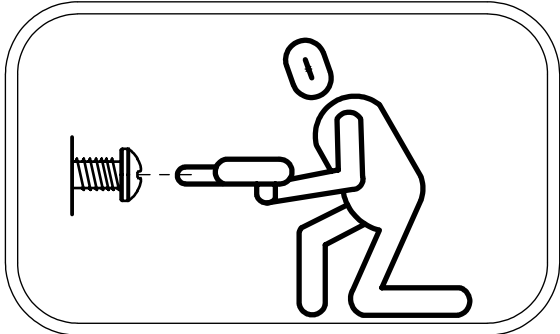


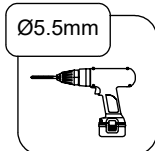
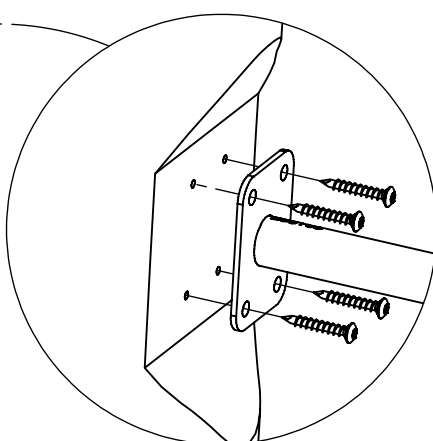
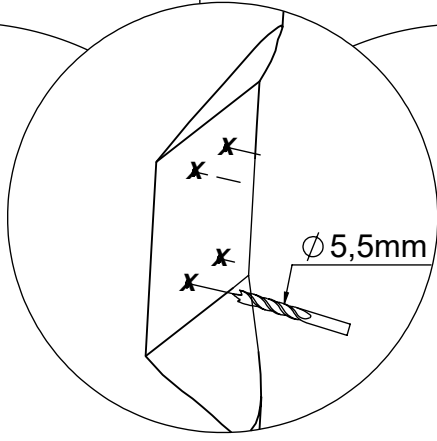
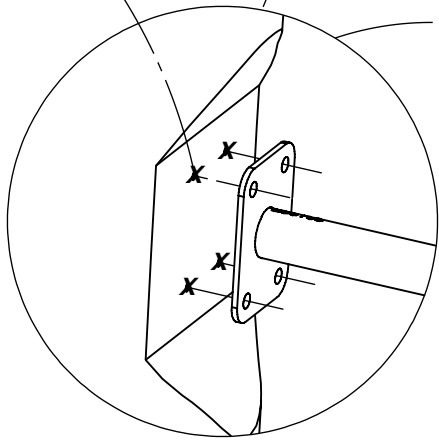
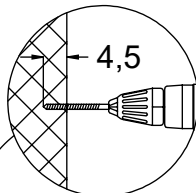
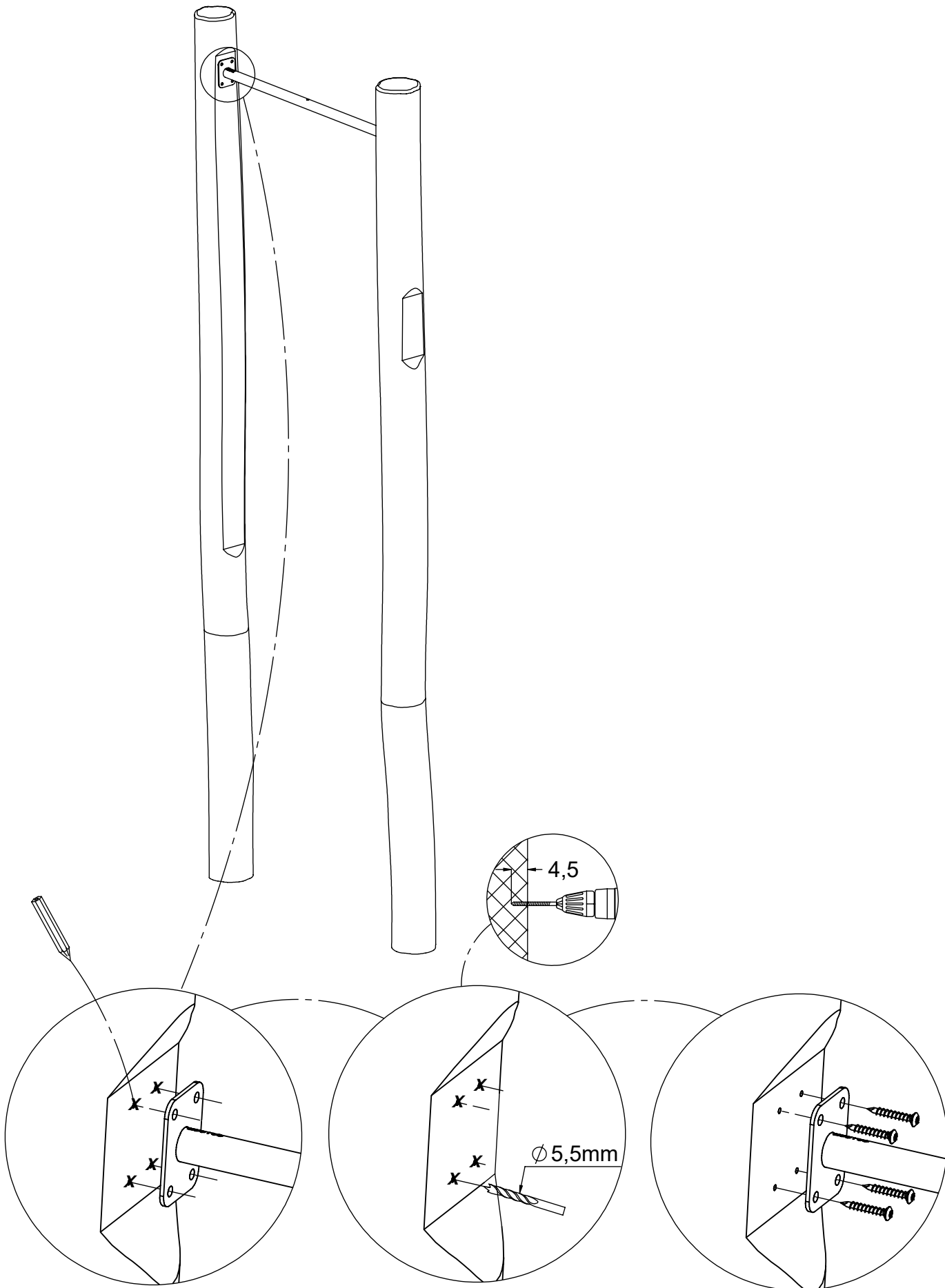
232107
x1



235100
x1

28x	8x50sxi
2x	231101
1x	126310
1x	12e106

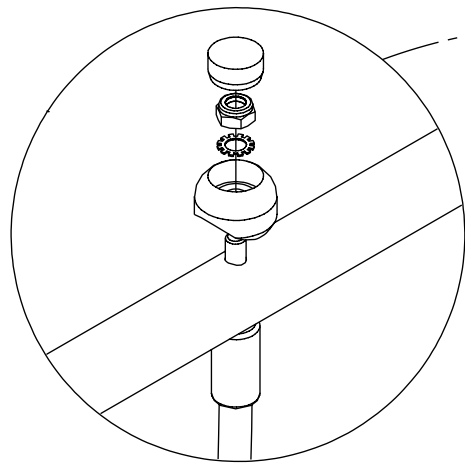




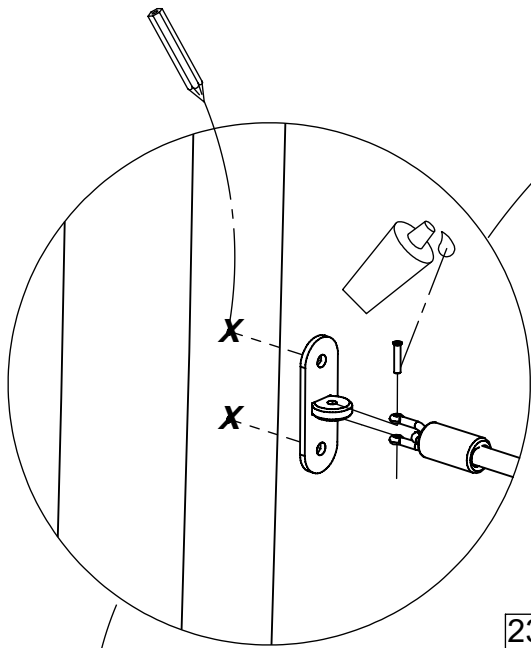
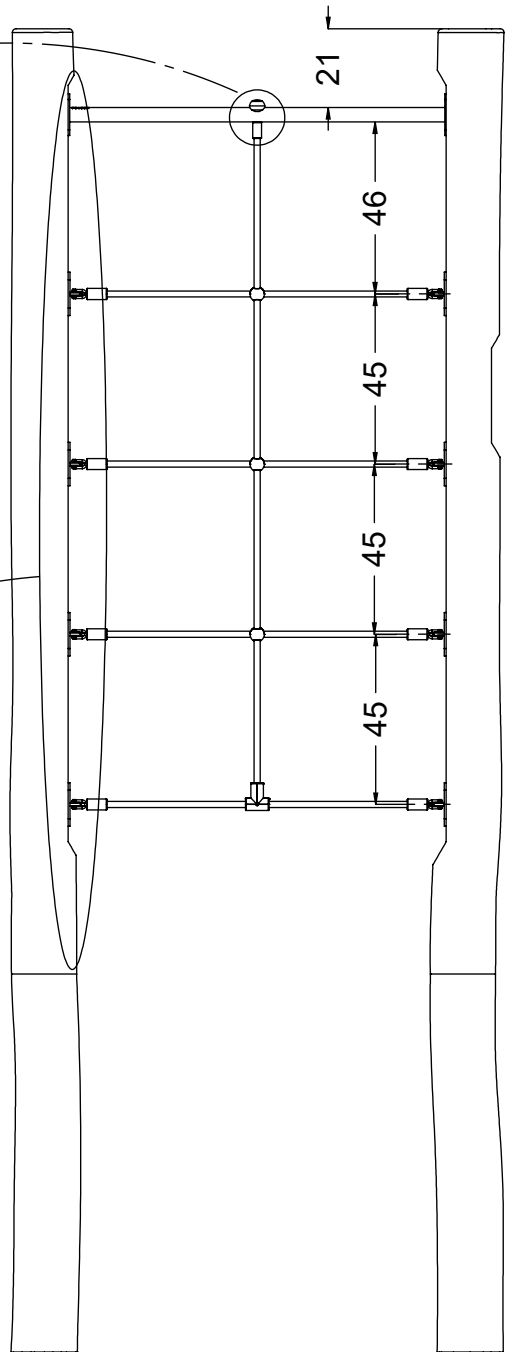
8x **8x50sxi**

[cm]

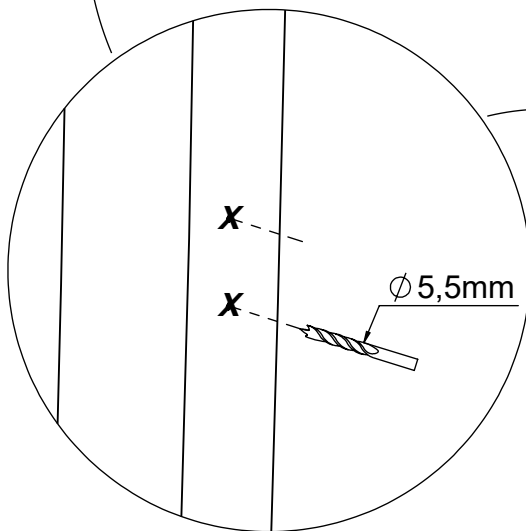
vinci
play



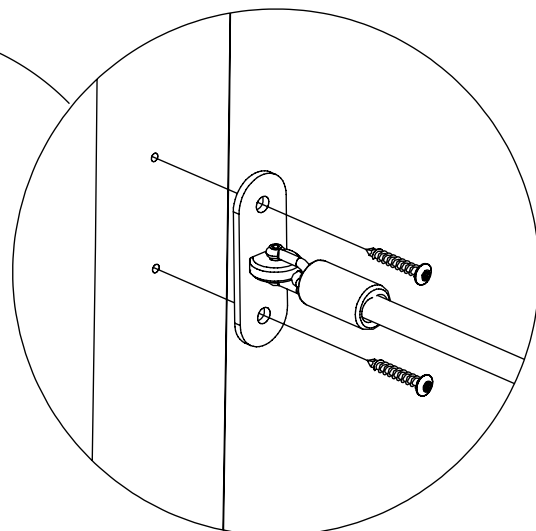
1x **23e106**



23e106



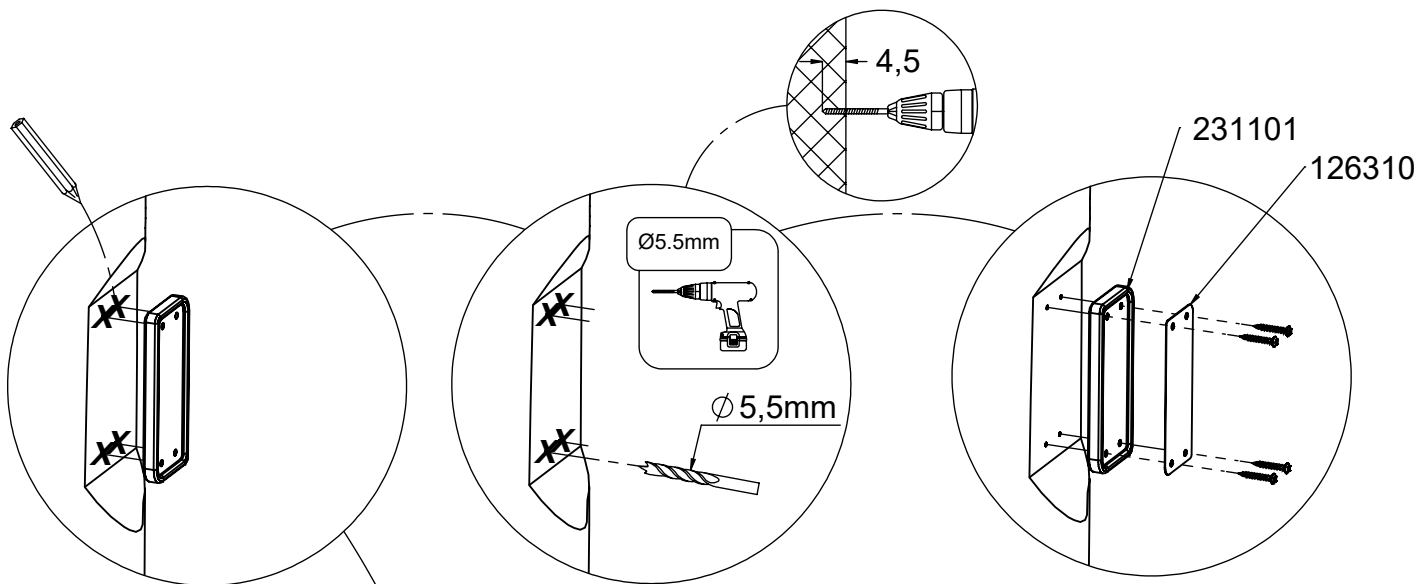
$\phi 5,5\text{mm}$



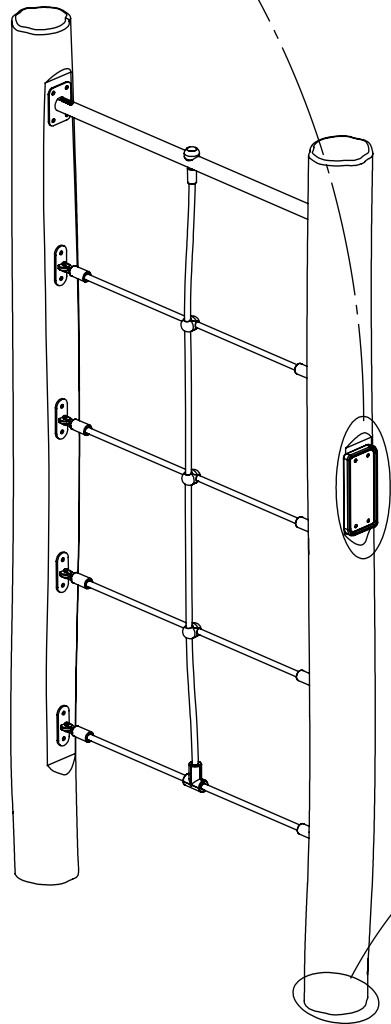
16x **8x50sxi**

[cm]

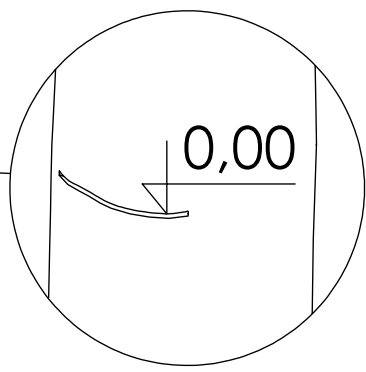
vinci
play



4x 8x50sxi



48h



Part No:
000000-
00000

000000-00000

[cm]

vinci
play